



2004 Wiring Diagrams



License #84356800



DEMO

This DEMO contains only a few pages of the entire manual/product.

Not all Bookmarks work on the Demo, but they do on the full version.

Features:

- Searchable text
- Printable pages
- Bookmarked for easy navigation
- High Resolution images
- Zoom to see exact details
- Money back Guarantee
- Available on USB and eBook download

Buy Now



MUSTANG

Copyright © 2024, Forel Publishing Company, LLC, Woodbridge, Virginia

All Rights Reserved. No part of this book may be used or reproduced in any manner whatsoever without written permission of Forel Publishing Company, LLC. For information write to Forel Publishing Company, LLC, Woodbridge, VA 22192

2004 Mustang Wiring Diagrams

EAN: 978-1-60371-439-6

ISBN: 1-60371-439-1

Forel Publishing Company, LLC
Woodbridge, VA 22192
Email: sales@ForelPublishing.com
<https://www.ForelPublishing.com>



License #84356800

This publication contains material that is reproduced and distributed under a license from Ford Motor Company. No further reproduction or distribution of the Ford Motor Company material is allowed without the express written permission of Ford Motor Company.

Note from the Publisher

This product was created from the original Ford Motor Company's publication. Every effort has been made to use the original scanned images, however, due to the condition of the material; some pages have been modified to remove imperfections.

Disclaimer

Although every effort was made to ensure the accuracy of this book, no representations or warranties of any kind are made concerning the accuracy, completeness or suitability of the information, either expressed or implied. As a result, the information contained within this book should be used as general information only. The author and Forel Publishing Company, LLC shall have neither liability nor responsibility to any person or entity with respect to any loss or damage caused, or alleged to be caused, directly or indirectly by the information contained in this book. Further, the publisher and author are not engaged in rendering legal or other professional services. If legal, mechanical, electrical, or other expert assistance is required, the services of a competent professional should be sought.



Mustang

Table of Contents	1-1	Instrument Cluster	60-1
Index	2-1	Warning Devices	66-1
Introduction	3-1	Illumination	71-1
Symbols	4-1	Wipers and Washers	81-1
Connector Repair Procedures	5-1	Headlamps	85-1
Wiring Harness Overview	9-1	Fog Lamps	86-1
Grounds	10-1	Courtesy Lamps	89-1
Fuse and Relay Information	11-1	Turn/Stop/Hazard Lamps	90-1
Charging System	12-1	Exterior Lamps	92-1
Power Distribution	13-1	Reversing Lamps	93-1
Module Communications Network	14-1	Daytime Running Lamps	97-1
Starting System	20-1	Power Windows	100-1
Engine Ignition	21-1	Convertible Top	103-1
Engine Controls – 3.8L/3.9L	23-1	Power Door Locks	110-1
Engine Controls – 4.6L 2V	24-1	Remote Keyless Entry (RKE)	111-1
Engine Controls – Cobra	25-1	Anti-Theft	112-1
Engine Controls – Mach 1	26-1	Luggage Compartment Lid Release	113-1
Transmission Controls	29-1	Power Seats	120-1
Vehicle Speed Control	31-1	Power Lumbar Seats	122-1
Cooling Fan	33-1	Power Mirrors	124-1
Shift Lock	37-1	Radio	130-1
ABS	42-1	Component Testing	149-1
Horn/Cigar Lighter	44-1	Connector Views	150-1
Air Bags	46-1	Component Location Views	151-1
Air Conditioner/Heater	54-1	Component Location Charts	152-1
Rear Window Defrost	56-1	Vehicle Repair Location Charts	160-1
Multifunction Electronic Control Modules	59-1		

NOTE: The descriptions and specifications contained in this manual were in effect at the time this manual was approved for printing. Ford Motor Company reserves the right to discontinue models at any time, or changes specifications or design without notice and without incurring any obligation.

PUBLICATIONS ORDERING INFORMATION

To obtain information about ordering additional copies of this publication or to order any other Ford or Lincoln/Mercury publications, call 1-800-782-4356. Available publications include Workshop Manuals, Wiring Diagrams, PC/ED Manuals and Owner Guides.

For more information, write to: Ford Publications, care of Helm Inc., P.O. Box 07150, Detroit, MI 48207.

Reproduction of this publication, in whole or in part, by any means, electronic or mechanical, including photocopying, recording, or by any information storage and retrieval system or translation in whole or part is not permitted without written authorization from Ford Motor Company.



100% SATISFACTION GUARANTEED

BUY IT NOW!

Click Here To Order

A/C clutch cycling pressure switch (19E561)	54-2	Coil On Plug (COP) 6 (12A366) – Cobra, Mach 1	21-4
A/C clutch field coil (19D798) – 3.8L/3.9L	54-2	Coil On Plug (COP) 7 (12A366) – 4.6L 2V	21-3
A/C clutch field coil (19D798) – 4.6L	54-3	Coil On Plug (COP) 7 (12A366) – Cobra, Mach 1	21-4
A/C clutch relay – 3.8L/3.9L	54-2	Coil On Plug (COP) 8 (12A366) – 4.6L 2V	21-3
A/C clutch relay – 4.6L	54-3	Coil On Plug (COP) 8 (12A366) – Cobra, Mach 1	21-4
A/C high pressure switch (19D594) – 3.8L/3.9L	54-2	Constant Control Relay Module (CCRM) – 3.8L/3.9L	23-8
A/C high pressure switch (19D594) – 4.6L	54-3	Constant Control Relay Module (CCRM) – 4.6L 2V	24-8
ABS control module (2C219)	42-2	Constant Control Relay Module (CCRM) – Cobra	25-8
Air bag sliding contact (14A664)	31-3	Constant Control Relay Module (CCRM) – Mach 1	26-8
Auxiliary fuse box	13-4	Convertible top lower relay	103-1
Barometric Absolute Pressure (BAP) sensor	25-10	Convertible top motor	103-1
Battery (10655)	13-1	Convertible top raise relay	103-1
Battery Junction Box (BJB) (14A003)	13-1	Convertible top switch	103-1
Blower motor resistor (19A706)	54-2	Crankshaft position sensor (6C315)	21-3
Brake fluid level switch (2L414)	59-2	Cylinder-head temperature sensor (6G004)	23-7
Brake pedal position switch (13480)	37-1	Data Link Connector (DLC) (14489)	14-1
Brake shift interlock (3Z719)	37-1	Daytime Running Lamps (DRL) module	97-1
Camshaft position sensor (6B288)	21-3	Deactivator switch	31-3
Central Junction Box (CJB) (14A068)	13-6	Differential Pressure Feedback EGR (DPFE) sensor (9J460) – 3.8L/3.9L	23-7
Charge air cooler pump motor (8501)	25-10	Differential Pressure Feedback EGR (DPFE) sensor (9J460) – 4.6L 2V	24-6
Charge air cooler pump relay – Cobra	25-10	Differential Pressure Feedback EGR (DPFE) sensor (9J460) – Cobra	25-7
Cigar lighter, front (15055)	44-1	Differential Pressure Feedback EGR (DPFE) sensor (9J460) – Mach 1	26-6
Clutch cutoff switch	31-3	Digital Transmission Range (DTR) sensor (7F293)	29-2
Clutch cutoff switch jumper	31-2	Door ajar switch, left front	66-1
Clutch pedal position switch	20-2	Door ajar switch, right front	66-1
Coil On Plug (COP) 1 (12A366) – 4.6L 2V	21-3	Door lock actuator, left front	110-1
Coil On Plug (COP) 1 (12A366) – Cobra, Mach 1	21-4	Door lock actuator, right front	110-1
Coil On Plug (COP) 2 (12A366) – 4.6L 2V	21-3	Driver air bag unit (78043B13)	46-1
Coil On Plug (COP) 2 (12A366) – Cobra, Mach 1	21-4	Driver seat front height motor	120-1
Coil On Plug (COP) 3 (12A366) – 4.6L 2V	21-3	Driver seat horizontal motor	120-1
Coil On Plug (COP) 3 (12A366) – Cobra, Mach 1	21-4	Driver seat lumbar compressor motor (65500)	122-1
Coil On Plug (COP) 4 (12A366) – 4.6L 2V	21-3	Driver seat rear height motor	120-1
Coil On Plug (COP) 4 (12A366) – Cobra, Mach 1	21-4		
Coil On Plug (COP) 5 (12A366) – 4.6L 2V	21-3		
Coil On Plug (COP) 5 (12A366) – Cobra, Mach 1	21-4		
Coil On Plug (COP) 6 (12A366) – 4.6L 2V	21-3		

100% GUARANTEED

BUY IT NOW!

Click Here To Order

PayPal American Express Discover MasterCard VISA

Dual pressure switch (19D594) – 4.6L 54-3
 EGR vacuum regulator solenoid (9J459) – 3.8L/3.9L 23-9
 EGR vacuum regulator solenoid (9J459) – 4.6L 2V 24-7
 EGR vacuum regulator solenoid (9J459) – Cobra 25-8
 EGR vacuum regulator solenoid (9J459) – Mach 1 26-7
 Electronic flasher module 90-1
 Engine Coolant Temperature (ECT) sensor (12A648) – 4.6L 2V .. 24-6
 Engine Coolant Temperature (ECT) sensor (12A648) – Cobra ... 25-7
 Engine Coolant Temperature (ECT) sensor (12A648) – Mach 1 .. 26-6
 Engine cooling fan motor – 3.8L/3.9L 33-1
 Engine cooling fan motor – 4.6L 33-2
 EVAP canister purge valve – 3.8L/3.9L 23-9
 EVAP canister purge valve – 4.6L 2V 24-7
 EVAP canister purge valve – Cobra 25-8
 EVAP canister purge valve – Mach 1 26-7
 EVAP canister vent control solenoid – 3.8L/3.9L 23-9
 EVAP canister vent control solenoid – 4.6L 2V 24-7
 EVAP canister vent control solenoid – Cobra 25-8
 EVAP canister vent control solenoid – Mach 1 26-7
 Exterior rear view mirror, left 124-1
 Exterior rear view mirror, right 124-1
 Exterior rear view mirror switch (17B676) 124-1
 F1.1 13-1
 F1.2 13-2
 F1.3 13-2
 F1.4 13-2
 F1.5 13-2
 F1.6 13-4
 F1.8 13-3
 F1.9 13-3
 F1.10 13-2
 F1.11 13-1
 F1.12 13-4
 F1.13 13-3
 F1.14 13-1
 F1.15 13-3

F1.16 13-4
 F1.17 13-3
 F1.18 13-4
 F1.19 13-4
 F1.20 13-1
 F1.24 13-1
 F1.26 13-2
 F1.27 13-4
 F1.28 13-3
 F1.31 33-2
 F2.1 13-7
 F2.2 – 3.8L/3.9L 23-3
 F2.2 – 4.6L 4V 24-3
 F2.2 – Cobra 25-4
 F2.2 – Mach 1 26-3
 F2.4 85-1
 F2.5 13-11
 F2.6 13-15
 F2.7 13-7
 F2.8 – 3.8L/3.9L 23-9
 F2.8 – 4.6L 2V 24-7
 F2.8 – Cobra 25-8
 F2.8 – Mach 1 26-7
 F2.9 13-9
 F2.10 85-1
 F2.11 13-11
 F2.12 13-12
 F2.13 13-7
 F2.15 13-8
 F2.17 13-11
 F2.18 13-12
 F2.19 13-7
 F2.20 13-10
 F2.21 13-8
 F2.23 13-11
 F2.24 13-12

100% SATISFACTION GUARANTEED
BUY IT NOW!
 Click Here To Order

PayPal Discover MasterCard VISA

F2.25	13-8	Fuel injector 4 (9F593) – 3.8L/3.9L	23-4
F2.26	13-10	Fuel injector 4 (9F593) – 4.6L 2V	24-5
F2.27	13-9	Fuel injector 4 (9F593) – Cobra	25-6
F2.28	13-12	Fuel injector 4 (9F593) – Mach 1	26-5
F2.29	13-11	Fuel injector 5 (9F593) – 3.8L/3.9L	23-4
F2.30	13-12	Fuel injector 5 (9F593) – 4.6L 2V	24-4
F2.31	13-8	Fuel injector 5 (9F593) – Cobra	25-5
F2.32	13-10	Fuel injector 5 (9F593) – Mach 1	26-4
F2.33	13-9	Fuel injector 6 (9F593) – 3.8L/3.9L	23-4
F2.34	13-12	Fuel injector 6 (9F593) – 4.6L 2V	24-4
F2.35	31-3	Fuel injector 6 (9F593) – Cobra	25-5
F2.36	13-12	Fuel injector 6 (9F593) – Mach 1	26-4
F2.37	13-13	Fuel injector 7 (9F593) – 4.6L 2V	24-4
F2.38	85-1	Fuel injector 7 (9F593) – Cobra	25-5
F2.39	13-9	Fuel injector 7 (9F593) – Mach 1	26-4
F2.41	90-2	Fuel injector 8 (9F593) – 4.6L 2V	24-4
F2.43	13-6	Fuel injector 8 (9F593) – Cobra	25-5
Fog lamp, left front (15200)	86-1	Fuel injector 8 (9F593) – Mach 1	26-4
Fog lamp, right front (15200)	86-1	Fuel pump – 3.8L/3.9L	23-8
Fog lamp relay	86-1	Fuel pump – 4.6L 2V	24-8
Fog lamp switch	86-1	Fuel pump – Cobra	25-9
Front blower motor (19805)	54-2	Fuel pump – Mach 1	26-8
Front fog lamp cutoff relay	86-1	Fuel pump driver module (9D372) – 3.8L/3.9L	23-8
Front passenger window/door lock switch – Convertible	100-1	Fuel pump driver module (9D372) – 4.6L 2V	24-8
Fuel injector 1 (9F593) – 3.8L/3.9L	23-5	Fuel pump driver module (9D372) – Cobra	25-9
Fuel injector 1 (9F593) – 4.6L 2V	24-5	Fuel pump driver module (9D372) – Mach 1	26-8
Fuel injector 1 (9F593) – Cobra	25-6	Fuel pump relay – 3.8L/3.9L	23-8
Fuel injector 1 (9F593) – Mach 1	26-5	Fuel pump relay – 4.6L 2V	24-8
Fuel injector 2 (9F593) – 3.8L/3.9L	23-5	Fuel pump relay – Cobra	25-8
Fuel injector 2 (9F593) – 4.6L 2V	24-5	Fuel pump relay – Mach 1	26-8
Fuel injector 2 (9F593) – Cobra	25-6	Fuel rail pressure transducer sensor – 3.8L/3.9L	23-7
Fuel injector 2 (9F593) – Mach 1	26-5	Fuel rail pressure transducer sensor – 4.6L 2V	24-6
Fuel injector 2 (9F593) – 3.8L/3.9L	23-5	Fuel rail pressure transducer sensor – Cobra	25-7
Fuel injector 2 (9F593) – 4.6L 2V	24-5	Fuel rail pressure transducer sensor – Mach 1	26-6
Fuel injector 2 (9F593) – Cobra	25-6	Fuel sender (9H307) – 3.8L/3.9L	23-8
Fuel injector 2 (9F593) – Mach 1	26-5	Fuel sender (9H307) – 4.6L 2V	24-8

100% SATISFACTION GUARANTEED

BUY IT NOW!

Click Here To Order

PayPal American Express Discover MasterCard VISA

Fuel sender (9H307) – Cobra	25–9	Heated Oxygen Sensor (HO2S) #22 (9G444) – 3.8L/3.9L	23–6
Fuel sender (9H307) – Mach 1	26–8	Heated Oxygen Sensor (HO2S) #22 (9G444) – 4.6L 2V	24–9
Fuel tank pressure transducer sensor (9C968) – 3.8L/3.9L	23–8	Heated Oxygen Sensor (HO2S) #22 (9G444) – Cobra	25–10
Fuel tank pressure transducer sensor (9C968) – 4.6L 2V	24–8	Heated Oxygen Sensor (HO2S) #22 (9G444) – Mach 1	26–9
Fuel tank pressure transducer sensor (9C968) – Cobra	25–9	High mounted stoplamp (13A613) – Cobra	90–5
Fuel tank pressure transducer sensor (9C968) – Mach 1	26–8	High mounted stoplamp (13A613) – except Cobra	90–4
Function selector switch assembly (19B888)	54–2	High pitch horn	44–2
Fusible link A	12–1	High speed fan control relay – 3.8L/3.9L	33–1
Fusible link B	12–1	High speed fan control relay – 4.6L	33–2
G101	10–3	Horn relay	44–2
G102	10–1	Idle Air Control (IAC) valve (9F715) – 3.8L/3.9L	23–5
G103	10–3	Idle Air Control (IAC) valve (9F715) – 4.6L 2V	24–5
G104	10–2	Idle Air Control (IAC) valve (9F715) – Cobra	25–6
G105	10–2	Idle Air Control (IAC) valve (9F715) – Mach 1	26–5
G201	10–4	Ignition coil (12A366)	21–4
G203	10–5	Ignition switch (11572)	13–5
G204	10–5	Ignition transformer capacitor 1 (18801) – 4.6L 2V	21–3
G400	10–6	Ignition transformer capacitor 1 (18801) – Cobra, Mach 1	21–4
G402	56–1	Ignition transformer capacitor 2 (18801) – 4.6L 2V	21–3
G403	10–9	Ignition transformer capacitor 2 (18801) – Cobra, Mach 1	21–4
Generator	12–1	Ignition transformer capacitor	21–4
Generic Electronic Module (GEM) (14B205)	59–1	Inertia Fuel Shutoff (IFS) switch (9D362) – 3.8L/3.9L	23–6
Headlamp, left (13008)	85–1	Inertia Fuel Shutoff (IFS) switch (9D362) – 4.6L 2V	24–6
Headlamp, right (13008)	85–1	Inertia Fuel Shutoff (IFS) switch (9D362) – Cobra	25–8
Heated Oxygen Sensor (HO2S) #11 (9F472) – 3.8L/3.9L	23–6	Inertia Fuel Shutoff (IFS) switch (9D362) – Mach 1	26–6
Heated Oxygen Sensor (HO2S) #11 (9F472) – 4.6L 2V	24–9	Inlet Manifold Runner Control (IMRC) module	23–5
Heated Oxygen Sensor (HO2S) #11 (9F472) – Cobra	25–10	Instrument cluster (10849)	60–2
Heated Oxygen Sensor (HO2S) #11 (9F472) – Mach 1	26–9	Intake Air Temperature (IAT) sensor (12A697) – Cobra	25–4
Heated Oxygen Sensor (HO2S) #12 (9G444) – 3.8L/3.9L	23–6	Interior/map lamps assembly, front – coupe	89–2
Heated Oxygen Sensor (HO2S) #12 (9G444) – 4.6L 2V	24–9	Knock sensor 1 (6G004)	26–10
Heated Oxygen Sensor (HO2S) #12 (9G444) – Cobra	25–10	Knock sensor 2 (6G004)	26–10
Heated Oxygen Sensor (HO2S) #12 (9G444) – Mach 1	26–9	License plate lamp, left	92–1
Heated Oxygen Sensor (HO2S) #21 (9F472) – 3.8L/3.9L	23–6	License plate lamp, right	92–1
Heated Oxygen Sensor (HO2S) #21 (9F472) – 4.6L 2V	24–9	Low pitch horn	44–2
Heated Oxygen Sensor (HO2S) #21 (9F472) – Cobra	25–10	Low speed fan control relay – 3.8L/3.9L	33–1
Heated Oxygen Sensor (HO2S) #21 (9F472) – Mach 1	26–9	Low speed fan control relay – 4.6L	33–2

100% SATISFACTION GUARANTEED

BUY IT NOW!

Click Here To Order

PayPal American Express Discover MasterCard VISA

Luggage compartment lamp (13A756)	89-4	Powertrain Control Module (PCM) (12A650) – Cobra	25-4
Luggage compartment lid release relay	113-1	Powertrain Control Module (PCM) (12A650) – Mach 1	26-3
Luggage compartment lid release solenoid	113-1	Power window motor, left front – Convertible	100-1
Luggage compartment lid release switch	113-1	Power window motor, left front – coupe	100-3
Lumbar adjust switch, left front (14B691)	122-1	Power window motor, left rear (23394) – Convertible	100-2
Main light switch (11654)	13-13	Power window motor, right front – Convertible	100-1
Map reading lamps – Convertible	89-3	Power window motor, right front – coupe	100-4
Mass Air Flow (MAF) sensor (12B579) – 3.8L/3.9L	23-3	Power window motor, right rear (23394) – Convertible	100-2
Mass Air Flow (MAF) sensor (12B579) – 4.6L 2V	24-3	Radio (18806) – Mach 1000	130-5
Mass Air Flow (MAF) sensor (12B579) – Cobra	25-4	Radio (18806) – Mach 460	130-3
Mass Air Flow (MAF) sensor (12B579) – Mach 1	26-3	Radio (18806) – premium radio	130-2
Master window/door lock/unlock switch – Convertible	100-1	Rear window defrost grid (18C618)	56-1
Master window/door lock/unlock switch – coupe	100-3	Rear window defrost relay	56-1
Multifunction switch	85-1	Rear window defrost switch (18578)	56-1
Oil pressure switch (9278)	60-2	Relay box	13-4
Output Shaft Speed (OSS) sensor (7M101)	31-2	Restraints control module (14B321)	46-1
Package tray assembly, rear	130-8	Reverse lockout solenoid	25-8
Park/stop/turn lamp 1, left rear	90-3	Reversing lamp, left (13411)	93-1
Park/stop/turn lamp 1, right rear	90-3	Reversing lamp, right (13411)	93-1
Park/stop/turn lamp 2, left rear	90-3	Reversing lamps switch	93-1
Park/stop/turn lamp 2, right rear	90-3	S100	10-3
Park/turn lamp, left front (13411)	90-2	S101	10-7
Park/turn lamp, right front (13411)	90-2	S102	13-1
Parking brake switch (15A851)	59-3	S103	10-1
Park lamp relay	92-1	S104	10-3
Passenger air bag module (15044A74)	46-1	S105	13-3
Passive anti-theft transceiver module (15607)	112-1	S106	10-3
PCM power relay – 3.8L/3.9L	23-8	S107	13-3
PCM power relay – 4.6L 2V	24-8	S108	13-2
PCM power relay – Cobra	25-8	S109	13-2
PCM power relay – Mach 1	26-8	S110	10-1
Powertrain Control Module (PCM) (12A650) – 3.8L/3.9L	23-3	S111	13-4
Powertrain Control Module (PCM) (12A650) – 4.6L 2V	24-3	S112	31-2
Powertrain Control Module (PCM) (12A650) – Cobra	25-4	S113	13-10
Powertrain Control Module (PCM) (12A650) – Mach 1	26-3	S114	13-10
Power window motor, left front – Convertible	100-1	S115	10-2
Power window motor, left front – coupe	100-3		
Power window motor, left rear (23394) – Convertible	100-2		
Power window motor, right front – Convertible	100-1		
Power window motor, right front – coupe	100-4		
Power window motor, right rear (23394) – Convertible	100-2		
Radio (18806) – Mach 1000	130-5		
Radio (18806) – Mach 460	130-3		
Radio (18806) – premium radio	130-2		
Rear window defrost grid (18C618)	56-1		
Rear window defrost relay	56-1		
Rear window defrost switch (18578)	56-1		
Relay box	13-4		
Restraints control module (14B321)	46-1		
Reverse lockout solenoid	25-8		
Reversing lamp, left (13411)	93-1		
Reversing lamp, right (13411)	93-1		
Reversing lamps switch	93-1		
S100	10-3		
S101	10-7		
S102	13-1		
S103	10-1		
S104	10-3		
S105	13-3		
S106	10-3		
S107	13-3		
S108	13-2		
S109	13-2		
S110	10-1		
S111	13-4		
S112	31-2		
S113	13-10		
S114	13-10		
S115	10-2		



BUY IT NOW!

Click Here To Order



S117 – 3.8L/3.9L	23-9	S136	86-1
S117 – 4.6L 2V	24-7	S140	33-2
S117 – Cobra	25-8	S143	10-4
S117 – Mach 1	26-7	S147 – Cobra	25-6
S120 – 3.8L/3.9L	23-6	S147 – Mach 1	26-5
S120 – 4.6L 2V	24-9	S148 – Cobra	25-5
S120 – Cobra	25-10	S148 – Mach 1	26-4
S120 – Mach 1	26-9	S158	24-4
S121 – 3.8L/3.9L	23-9	S164 – 3.8L/3.9L	23-9
S121 – 4.6L 2V	24-7	S164 – 4.6L 2V	24-7
S121 – Cobra	25-8	S164 – Cobra	25-8
S121 – Mach 1	26-7	S164 – Mach 1	26-7
S122 – 3.8L/3.9L	33-1	S168	10-4
S122 – 4.6L	33-2	S169	21-3
S123 – 3.8L/3.9L	23-4	S170 – 4.6L 2V	21-3
S123 – 4.6L 2V	24-4	S170 – Cobra, Mach 1	21-4
S124	25-8	S171 – 4.6L 2V	21-3
S125	13-1	S171 – Cobra, Mach 1	21-4
S126 – 3.8L/3.9L	23-9	S174	13-12
S126 – 4.6L 2V	24-7	S180	10-3
S126 – Cobra	25-8	S190	10-4
S126 – Mach 1	26-7	S191	10-4
S127	13-1	S200 – 3.8L/3.9L	23-7
S128 – 3.8L/3.9L	23-5	S200 – 4.6L 2V	24-6
S128 – 4.6L 2V	24-5	S200 – Cobra	25-7
S129 – 3.8L/3.9L	23-7	S200 – Mach 1	26-6
S129 – 4.6L 2V	24-6	S201	10-5
S129 – Cobra	25-7	S202	13-4
S129 – Mach 1	26-6	S203	10-5
S130 – 3.8L/3.9L	23-7	S204	10-4
S130 – 4.6L 2V	24-6	S205	10-5
S130 – Cobra	25-7	S206	10-5
S130 – Mach 1	26-6	S207	13-9
S131	85-1	S208	10-5
S132	14-2	S209	10-10
S133	14-2	S211	13-5

100% SATISFACTORY GUARANTEED

BUY IT NOW!

Click Here To Order

PayPal American Express Discover MasterCard VISA

S213	54-2	S274	93-1
S215	13-2	S275	31-3
S217	13-2	S276	59-2
S225	13-10	S277	56-1
S230	71-1	S278	13-1
S231	13-14	S280	81-1
S233	13-2	S281	85-1
S234 – 3.8L/3.9L	23-3	S282	111-3
S234 – 4.6L 2V	24-3	S283	10-5
S234 – Cobra	25-4	S284	13-11
S234 – Mach 1	26-3	S307	10-7
S239	13-15	S308	10-7
S242	13-7	S321	10-7
S243	13-12	S322	10-7
S245	13-11	S323	90-2
S246	59-3	S404	10-9
S247	90-3	S405	10-9
S248	90-3	S407	10-6
S249	44-2	S409	13-3
S252	14-2	S414	10-6
S253	14-2	S415	10-6
S255	14-1	S417	13-14
S256	13-11	S418	13-14
S257	13-11	S419	13-14
S259	13-8	S420	13-14
S260	13-7	S425	93-1
S262	13-12	S429	89-2
S263	85-1	S431	13-9
S264	13-5	S432	13-9
S265	13-10	S433	130-8
S266	13-12	S434	130-8
S267	13-6	S436 – Mach 1000, Convertible	130-7
S268	13-7	S436 – Mach 1000, coupe	130-6
S269	13-7	S436 – Mach 460	130-4
S270	13-8	S437 – Mach 1000, Convertible	130-7
S271	31-3	S437 – Mach 1000, coupe	130-6

100% SATISFACTION GUARANTEED

BUY IT NOW!

Click Here To Order

PayPal American Express Discover MasterCard VISA

S437 – Mach 460	130–4	Speaker, right front (18808) – Mach 460	130–3
S440	113–1	Speaker, right front (18808) – premium radio	130–2
S450	10–6	Speaker, right rear (18808) – Mach 1000	130–5
S451	10–6	Speaker, right rear (18808) – Mach 460	130–3
S470	130–9	Speaker, right rear (18808) – premium radio	130–2
S471	130–10	Speed control servo (9C735)	31–2
S472	130–9	Starter motor (11002)	20–1
S473	10–9	Starter relay (11450)	20–1
S474	130–10	Steering wheel/speed control switch (9F924)	31–3
S475	10–9	Subwoofer, left front – Mach 1000, Convertible	130–7
S480	25–9	Subwoofer, left front – Mach 1000, coupe	130–6
S481	25–9	Subwoofer, left front – Mach 460	130–4
S482	25–9	Subwoofer, left rear – Mach 460, Mach 1000	130–8
S483	25–9	Subwoofer, luggage compartment left	130–10
S484	25–8	Subwoofer, luggage compartment right	130–9
S504	13–7	Subwoofer, right front – Mach 1000, Convertible	130–7
S505	13–6	Subwoofer, right front – Mach 1000, coupe	130–6
S506	124–1	Subwoofer, right front – Mach 460	130–4
S507	10–8	Subwoofer, right rear – Mach 460, Mach 1000	130–8
S510 – Convertible	100–1	Subwoofer amplifier, front – Mach 1000, Convertible	130–7
S510 – coupe	100–3	Subwoofer amplifier, front – Mach 1000, coupe	130–6
S515	10–8	Subwoofer amplifier, front – Mach 460	130–4
S901	10–10	Subwoofer amplifier, luggage compartment left inboard	130–8
S902 – Convertible	89–4	Subwoofer amplifier, luggage compartment left outboard	130–8
S902 – coupe	89–3	Subwoofer amplifier, luggage compartment right inboard	130–8
Safety belt buckle switch (10B924)	59–2	Subwoofer amplifier, luggage compartment right outboard	130–8
Seat adjust switch, driver side front (14A701)	120–1	Subwoofer amplifier, rear – Mach 1000, Convertible	130–7
Side lamp, left rear (13411)	92–2	Subwoofer amplifier, rear – Mach 1000, coupe	130–6
Side lamp, right rear (13411)	92–2	Subwoofer amplifier, rear – Mach 460	130–4
Speaker, left front (18808) – Mach 1000	130–5	Supercharger bypass solenoid	25–6
Speaker, left front (18808) – Mach 460	130–3	Throttle Position Sensor (TPS) (9B989) – 3.8L/3.9L	23–7
Speaker, left front (18808) – premium radio	130–2	Throttle Position Sensor (TPS) (9B989) – 4.6L 2V	24–6
Speaker, left front (18808) – Mach 1000	130–5	Throttle Position Sensor (TPS) (9B989) – Cobra	25–7
Speaker, left front (18808) – Mach 460	130–3	Throttle Position Sensor (TPS) (9B989) – Mach 1	26–6
Speaker, left front (18808) – premium radio	130–2	Traction control switch	42–2
Speaker, left front (18808) – Mach 1000	130–5	Transmission control switch	29–2

100% SATISFACTORY GUARANTEED

BUY IT NOW!

Click Here To Order

PayPal American Express Discover MasterCard VISA

Transmission hardware unit	29-2
Vanity mirror lamp, left (04100) – Convertible	89-3
Vanity mirror lamp, left (04100) – coupe	89-2
Vanity mirror lamp, right (04100) – Convertible	89-3
Vanity mirror lamp, right (04100) – coupe	89-2
Washer pump relay, front	81-1
Wheel speed sensor, left front (2C205)	42-2
Wheel speed sensor, left rear	42-2
Wheel speed sensor, right front (2C204)	42-2
Wheel speed sensor, right rear	42-2
Windshield washer pump motor (17618)	81-1
Windshield wiper motor (17508)	81-1
Wiper high/low relay	81-1
Wiper run/park relay	81-1



BUY IT NOW!
Click Here To Order



Notes

100% SATISFACTORY GUARANTEED

BUY IT NOW!

Click Here To Order

PayPal American Express Cards Discover MasterCard VISA

Note

All wiring connections between components are shown exactly as they exist in the vehicles. It is important to realize, however, that no attempt has been made on the schematic to represent components and wiring as they physically appear on the vehicle. For example, a 4-foot length of wire is treated no differently in a schematic from one which is only a few inches long. Furthermore, to aid in understanding electrical (electronic) operation, wiring inside complicated components has been simplified.

Complete Circuit Operation

Each circuit is shown completely and independently in one cell. Other components which are connected to the circuit may not be shown unless they influence the circuit operation.

Current Flow (1)

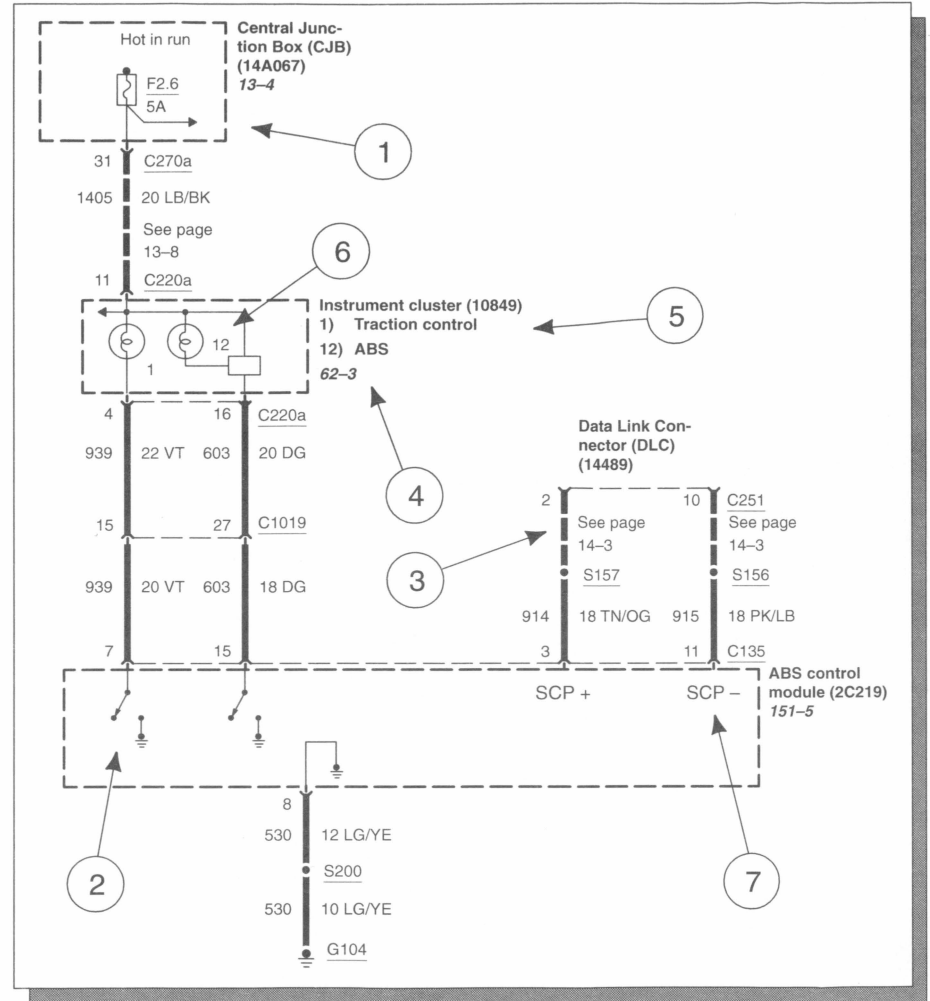
Each cell normally starts with the component that powers the circuit, such as a fuse or the ignition switch. Current flow is shown from the power source at the top of the page to ground at the bottom of the page. In order to concentrate on the essential parts, power supply and ground connections are sometimes simplified by a dashed line in the schematics. A full representation of the power supply of a fuse or the power distribution from a fuse to various components is given in cell 13 "Power Distribution". Full representation of the ground connections are shown in cell 10 "Grounds".

Switch Positions (2)

Within the schematic, all switches, sensors and relays are shown "at rest" (as if the Ignition Switch were OFF).

Splices (3)

not shown completely. A reference appears in full. It is also listed in the



100% SATISFACTION GUARANTEED

BUY IT NOW!

Click Here To Order

PayPal American Express Discover MasterCard VISA

Component Referencing (4)

Each component on a schematic has a reference to the component location view or the page where it is shown completely. It is located to the right of each component.

Component Names, Notes and Base Part Numbers (5)

Component names are placed on the right hand side of each component. Any notes that describe switch positions or operating conditions follow the name. Descriptions of the internals of the component are also included here. The page where the component appears in full is listed in the Index. The base part number for a component is listed in parentheses next to or under a component. These part numbers will appear any place the component name appears in the publication.

Internal Name and Function Identification Numbers (6)

Some components on each page have internal symbols with an identification number located to the right. You can identify the internal symbol or function by finding the corresponding number under the component name.

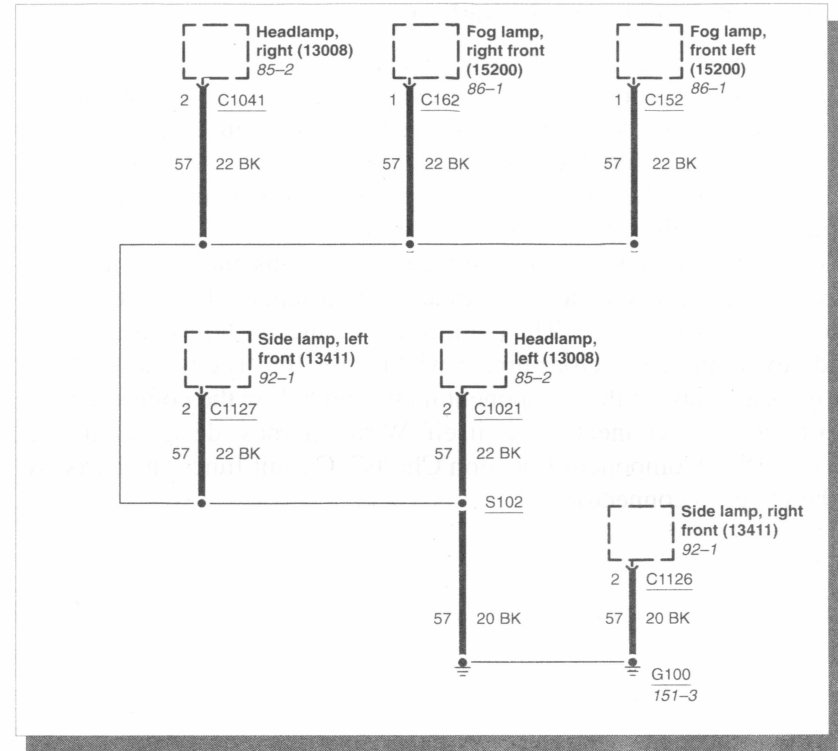
Circuit Function Identifiers (7)

Some components without internal schematics use symbols or text to describe the function of a circuit in a system.



Ground Distribution

Cell 10 “Grounds” contains the schematics that show the complete details for each ground connection or main ground splice. This is useful in diagnosing a problem affecting several components at once (poor ground connection or ground splice). All details (wires, splices, connectors) between the ground point and the components are shown. These ground connection details are shown here in order to keep the individual cell schematics as uncluttered as possible.



100% SATISFACTION GUARANTEED

BUY IT NOW!

Click Here To Order

Component and Connector Information

Cell 152 “Component Location Charts” helps the user find where the various items depicted on the schematic can physically be found on the vehicle. A brief written description of the location is given, along with a reference to the component location views.

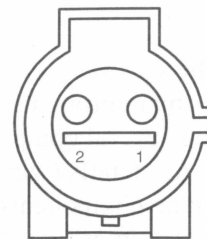
Cell 151 “Component Location Views” show the components and their connecting wires as they can be found on the vehicle.

Cell 150 “Connector Views” show the views of the pins and/or cavities of all connectors. The pin and cavity sides are shown separately as if the connector were disconnected. The color of the connector housing is indicated next to the connector number when available. The harness causal number is located above the component name and below the connector number or above the connector face itself. Wiring harness designations are listed in cell 152 “Component Location Charts”. Circuit function charts are located below each connector.

C150 (BK)

12A581

Wheel speed sensor, left front (2C205)



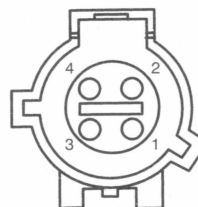
FEMALE

Pin	Circuit	Circuit Function
1	522 (TN/BK)	Wheel speed sensor, left front (2C205) -
2	521 (TN/OG)	Wheel speed sensor, left front (2C205) +

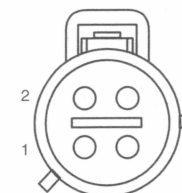
C1033 (BK)

12B637

14B102



FEMALE



MALE

- (1) -
- (2) 1102 (20 YE/LG)

- (3) 359 (20 GY/RD)
- (4) -

100% SATISFACTION GUARANTEED

BUY IT NOW!

Click Here To Order

WARNINGS

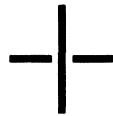
- *Always wear safety glasses for eye protection.*
- *Use safety stands whenever a procedure requires being under a vehicle.*
- *Be sure that the **Ignition Switch** is always in the OFF position, unless otherwise required by the procedure.*
- *Set the parking brake when working on any vehicle. An automatic transmission should be in PARK. A manual transmission should be in NEUTRAL.*
- *Operate the engine only in a well-ventilated area to avoid danger of carbon monoxide.*
- *Keep away from moving parts, especially the fan and belts, when the engine is running.*
- *To prevent serious burns, avoid contact with hot metal parts such as the radiator, exhaust manifold, tail pipe, catalytic converter and muffler.*
- *Do not allow flame or sparks near the battery. Gases are always present in and around the battery cell. An explosion could occur.*
- *Do not smoke when working on a vehicle.*
- *To avoid injury, always remove rings, watches, loose hanging jewelry and avoid wearing loose clothing.*



4-1 Symbols



Distributed splice



Crossed wiring without connection



Splice



Removable connection



Ground



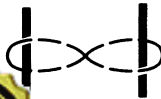
Connector



Female connector



Male connector



Twisted pair



Entire component



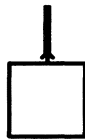
Part of a component



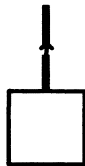
Component case directly attached to metal part of vehicle (ground)



Component with screw terminals



Connector attached to component



Connector attached to component lead (pigtail)



Positive Temperature Coefficient (PTC)



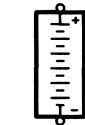
Resistor



Potentiometer (pressure or temperature)



Potentiometer (outside influence)



Battery



Fuse



Circuit breaker



Heating element, Conductor loop

100% SATISFACTION GUARANTEED

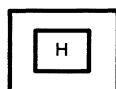
BUY IT NOW!

Click Here To Order





Ignition coil assembly



Hall sensor



Antenna



Solenoid controlled valve or clutch solenoid



Air bag sliding contact (14A664)



Permanent magnet, one-speed-motor



Light emitting diode (LED)



Diode, current flows in direction of arrow



Permanent magnet, two-speed-motor



Capacitor



Transistor



Rotational sensor



Variable capacitor



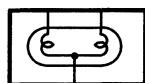
Lamp



Shield



Piezoelectric sensor



Bifilament lamp



Horn or speaker



Coil



Gauges



Fusible link



BUY IT NOW!

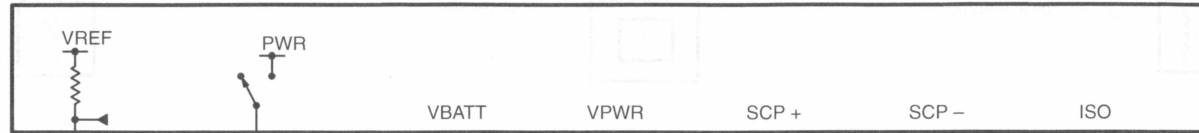
Click Here To Order



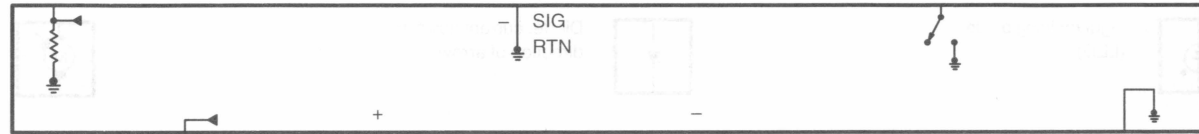
4-3 Symbols

Wire colors

BK	Black
BN	Brown
BU	Blue
DB	Dark blue
DG	Dark green
GN	Green
GY	Gray
LB	Light blue
LG	Light green
NA	Natural
OG	Orange
PK	Pink
RD	Red
SR	Silver
TN	Tan
VT	Violet
WH	White
YE	Yellow

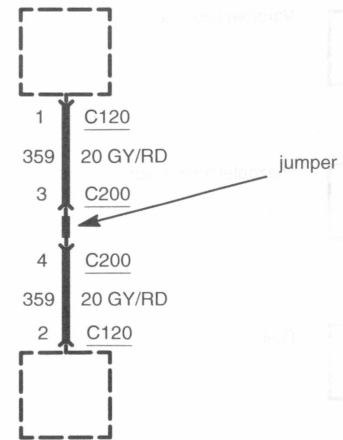
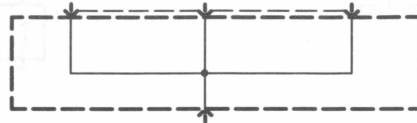


Reference voltage Switched power Battery voltage Switched or module voltage Standard Corporate Protocol (SCP) data + Standard Corporate Protocol (SCP) data - Data bus ISO 9141 (K-line)



signal signal signal Signal return Signal return Switched ground Ground

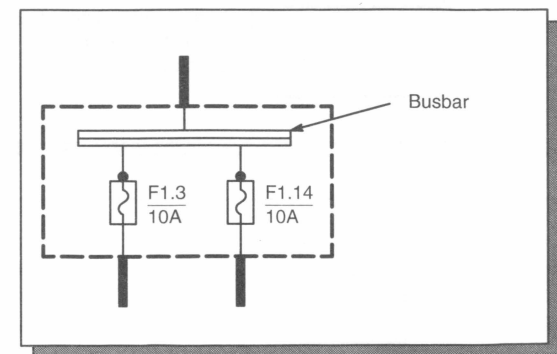
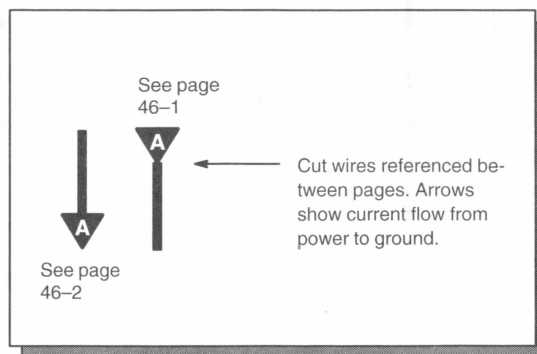
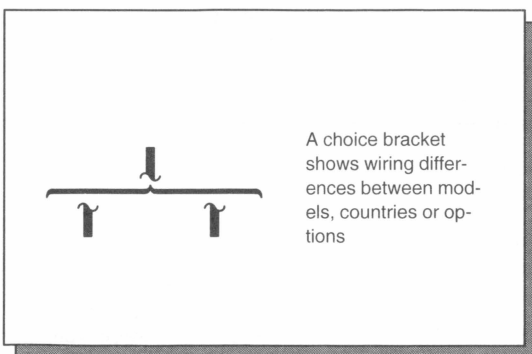
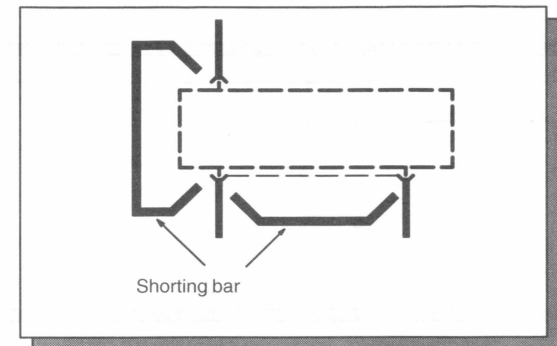
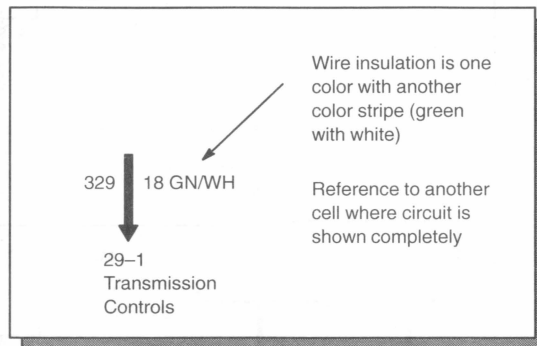
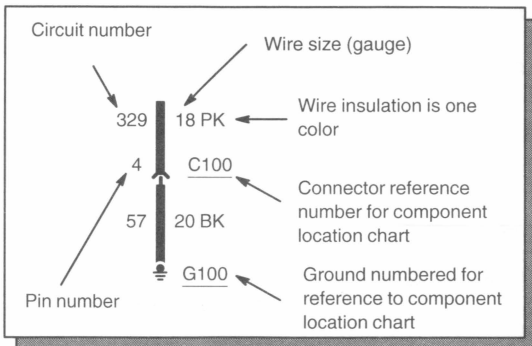
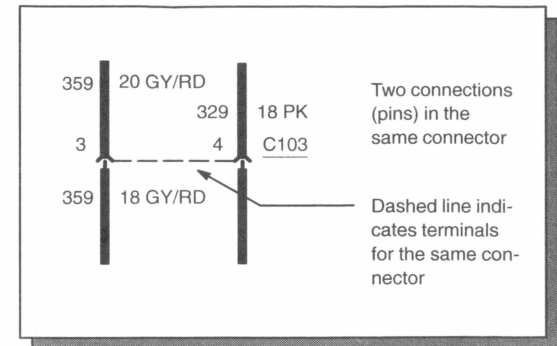
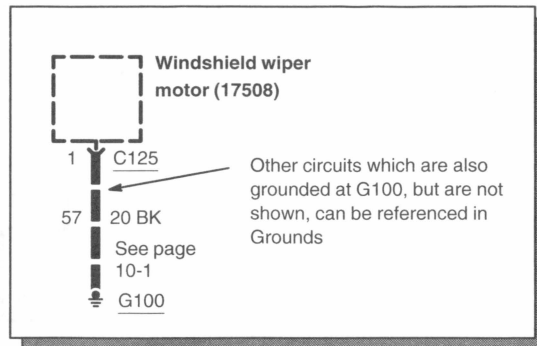
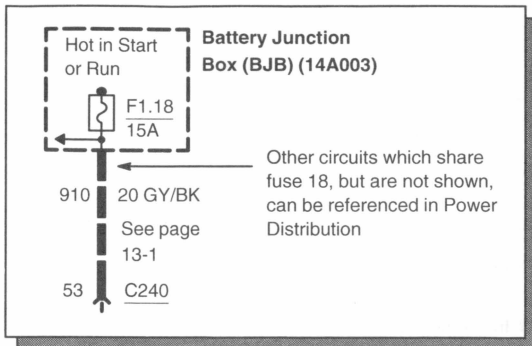
Joint connector



100% SATISFACTION GUARANTEED

BUY IT NOW!

Click Here To Order

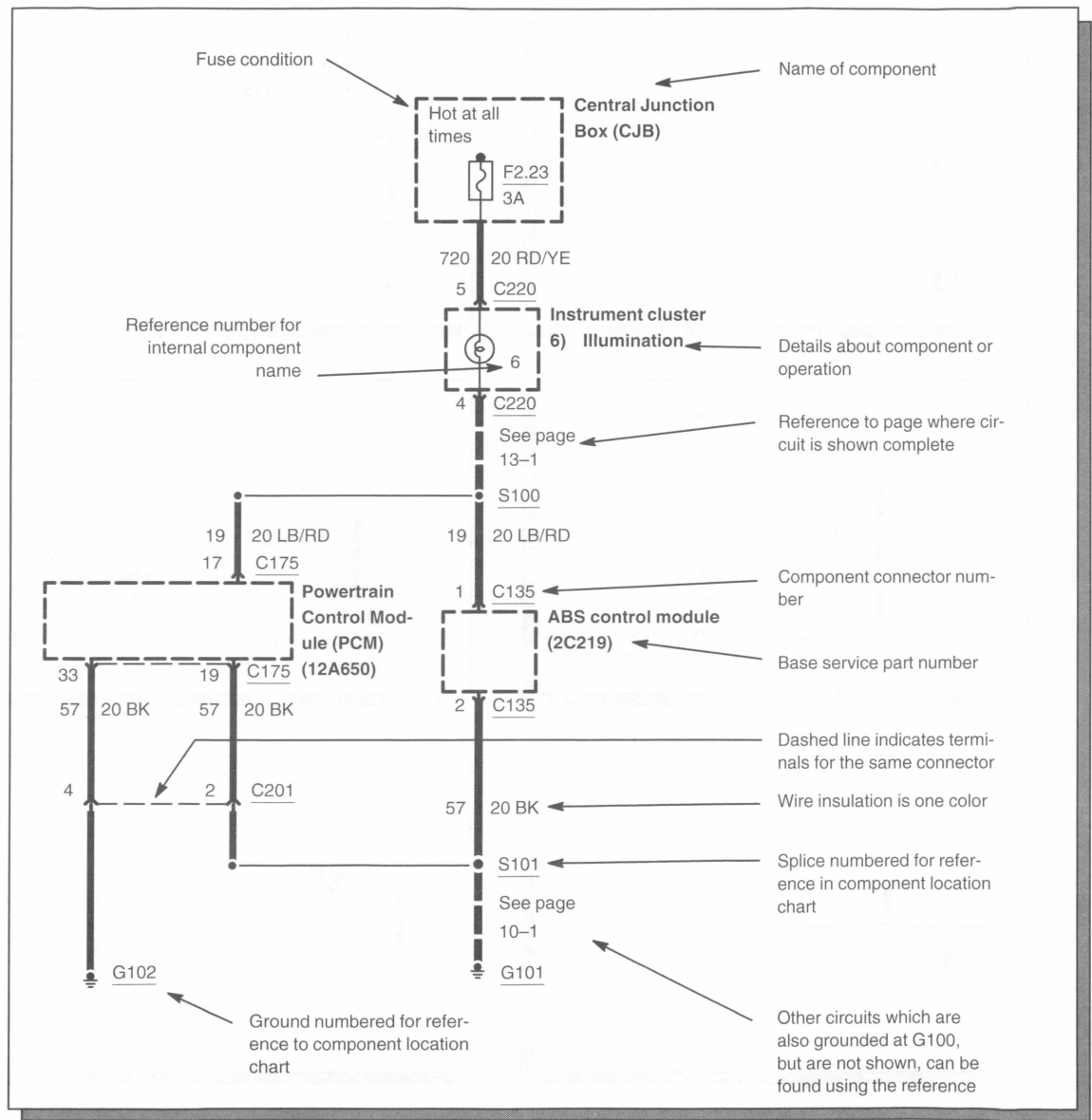
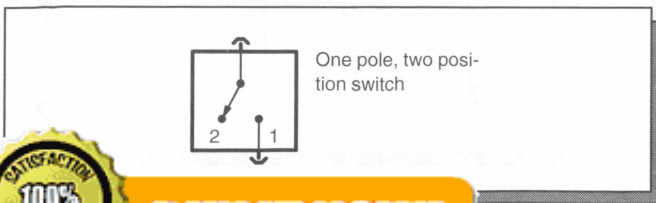
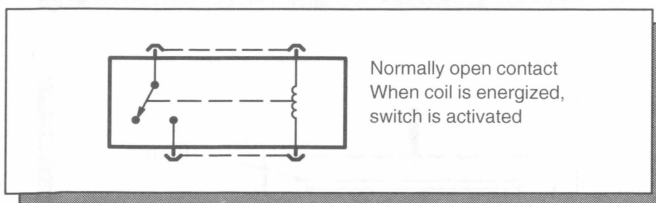
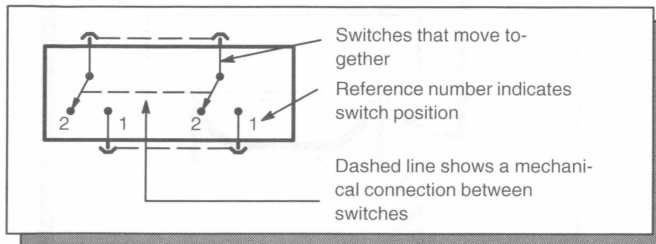
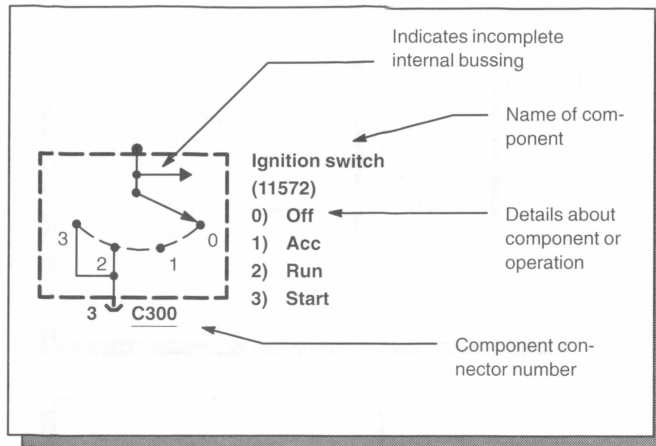


100% SATISFACTION GUARANTEED

BUY IT NOW!

Click Here To Order

PayPal, American Express, Discover, MasterCard, VISA



100% SATISFACTION GUARANTEED

BUY IT NOW!

Click Here To Order

PayPal

AMERICAN EXPRESS

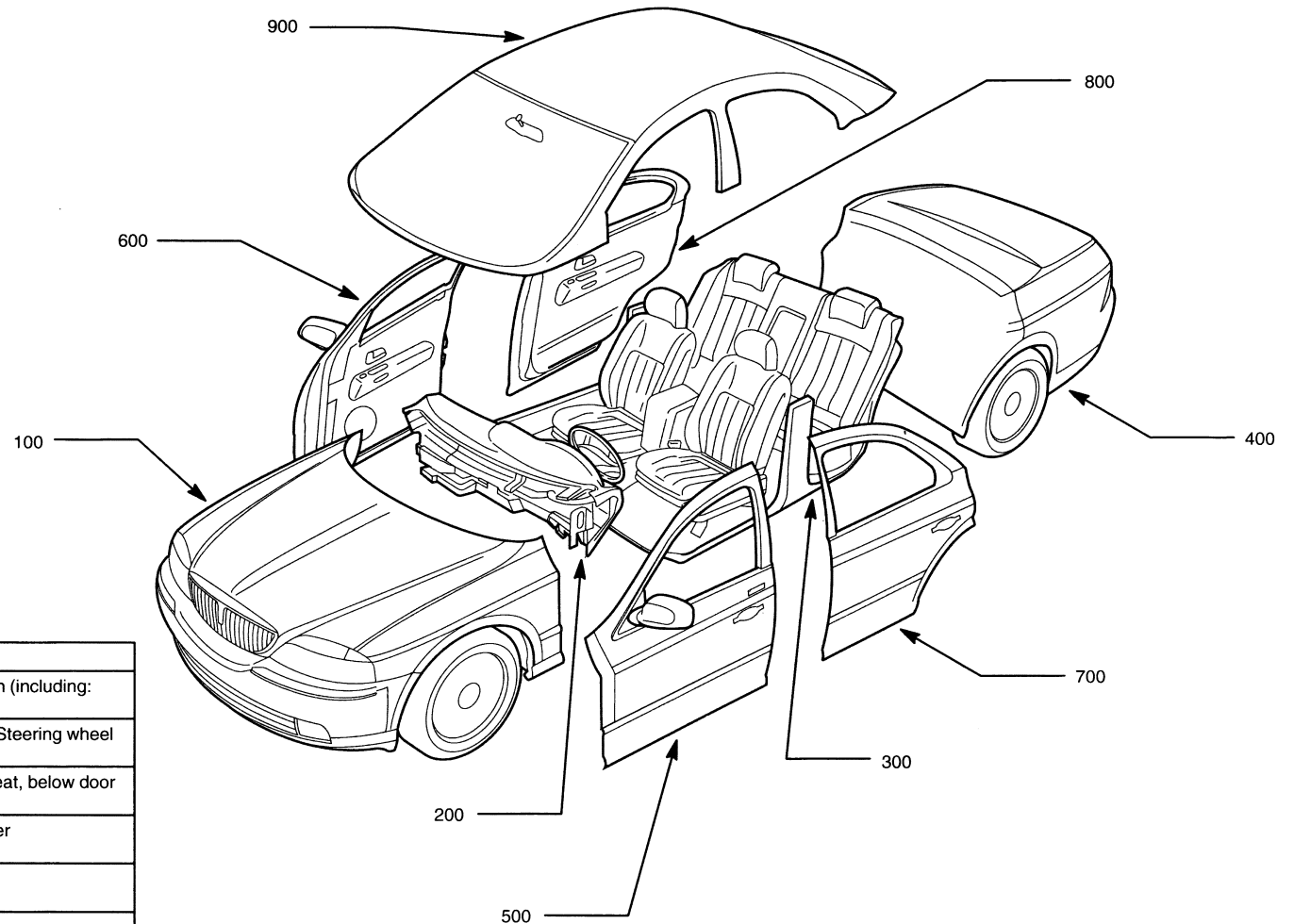
Discover

MasterCard

VISA

The first digit of every connector, ground, and splice number used in this publication references its location within the vehicle.

The chart below describes the different sections of the vehicle, and lists the number associated with each.



Number	Location
100	Engine compartment, Powertrain (including: axle/differential/transmission)
200	Instrument Panel and Console, Steering wheel assembly
300	From instrument panel to rear seat, below door trim panel
400	behind rear seats, to rear bumper
500	driver door
600	passenger door, front
700	passenger door, left rear
800	passenger door, right rear
	Above door trim panel and headliner

100% SATISFACTORY GUARANTEED

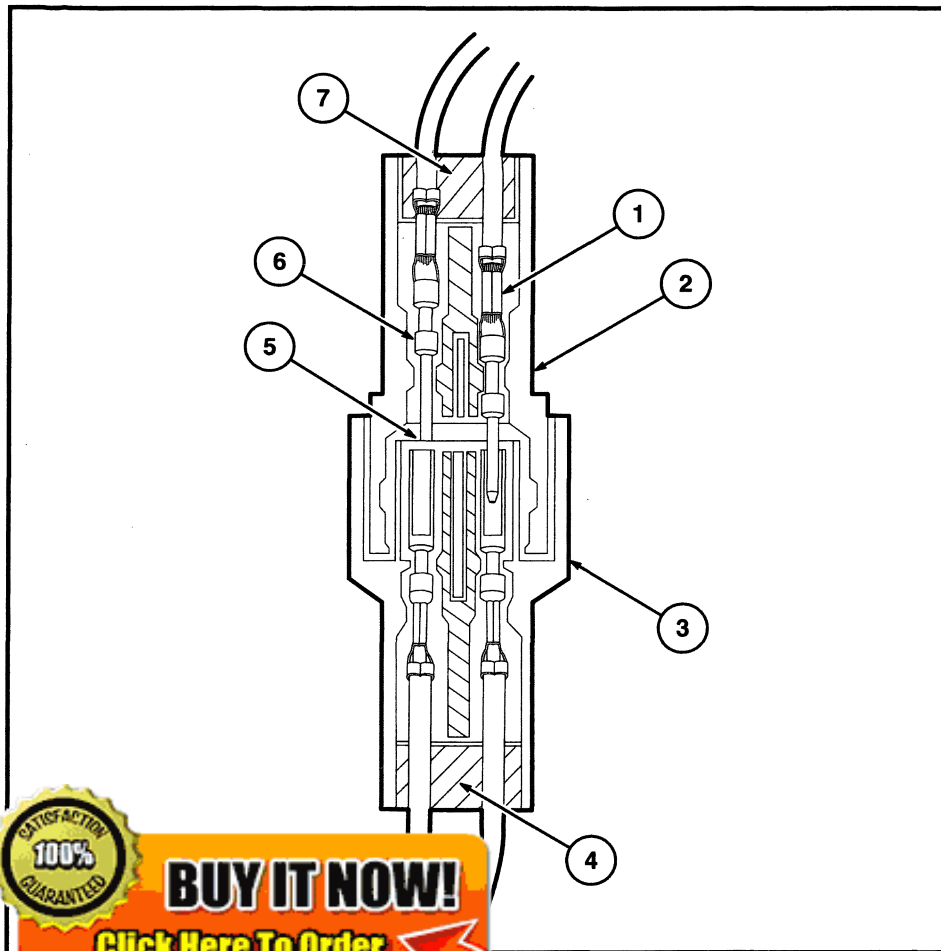
BUY IT NOW!

Click Here To Order

Troubleshooting wiring harness and connector hidden concerns

The following illustrations are known examples of wiring harness, splices and connectors that will create intermittent electrical concerns. The concerns are hidden and can only be discovered by a physical evaluation as shown in each illustration.

NOTE: Several components, such as the PCM, utilize gold plated terminals in their connections to the wiring harness. If those terminals need to be replaced, they must be replaced with a gold plated terminal.



Terminal not properly seated

- 1 = Locked terminal
- 2 = Male half
- 3 = Female half
- 4 = Seal
- 5 = Intermittent contact
- 6 = Unlocked terminal (Hidden by wire seal)
- 7 = Seal

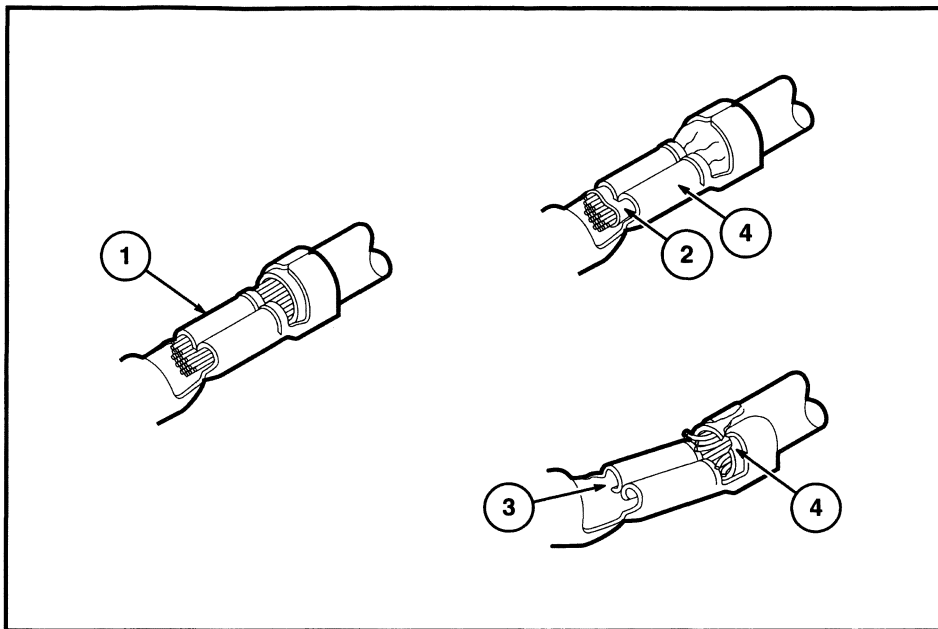
Check for unlocked terminals by pulling each wire at the end of the connector.

100% SATISFACTION GUARANTEED

BUY IT NOW!

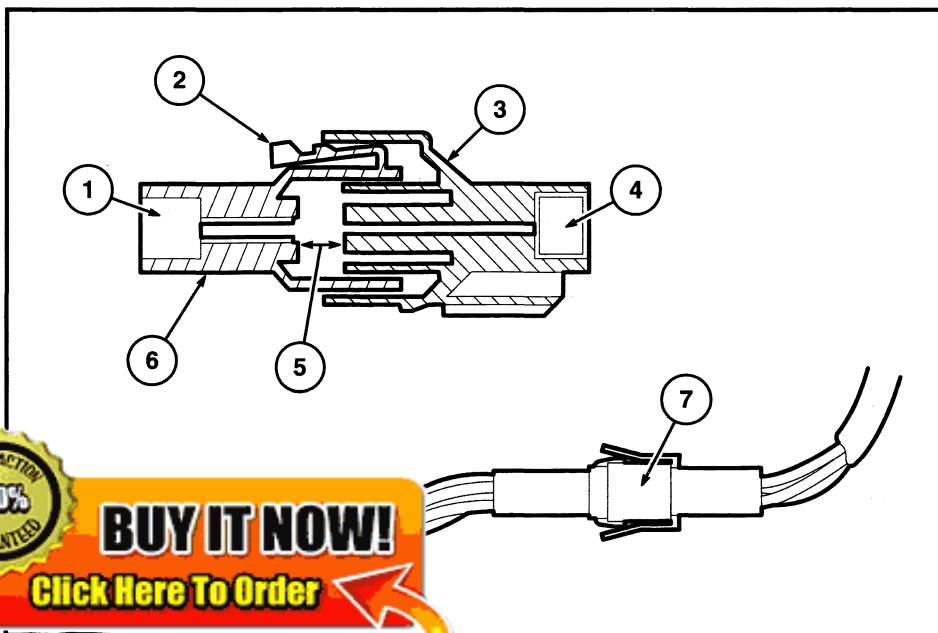
Click Here To Order

PayPal | American Express | Discover | MasterCard | VISA



Defective insulation stripping

- 1 = Proper crimp
- 2 = Insulation not removed
- 3 = Wire strands missing
- 4 = Intermittent signals through pierced insulation



Partially mated connectors

- 1 = Seal
- 2 = Displaced tab
- 3 = Female half
- 4 = Seal
- 5 = Intermittent contact
- 6 = Male half
- 7 = Intermittent contact

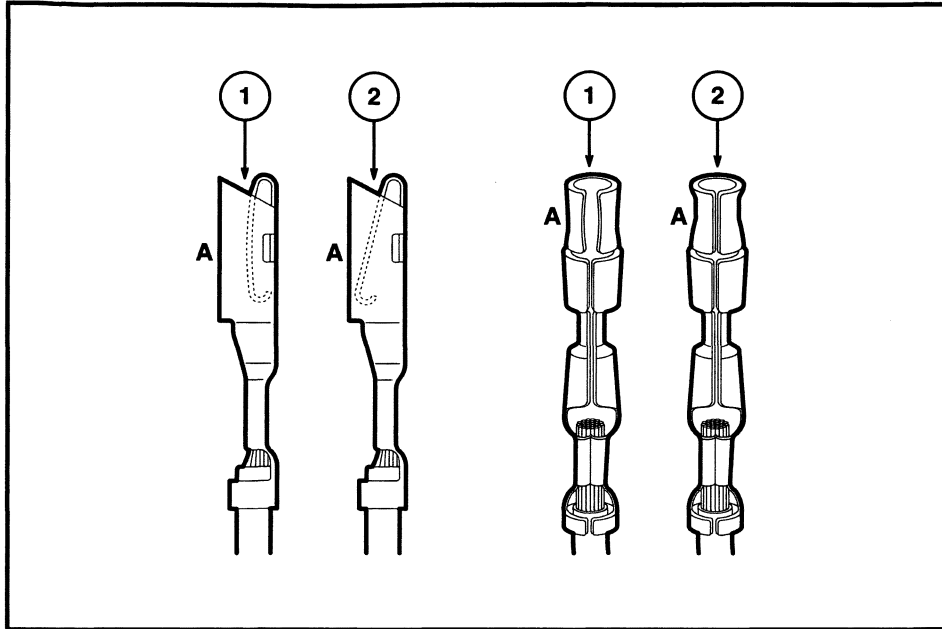
Lock may be displaced into an unlocked position; pull on the connector to verify the lock.

SATISFACTORY 100% GUARANTEED

BUY IT NOW!

Click Here To Order

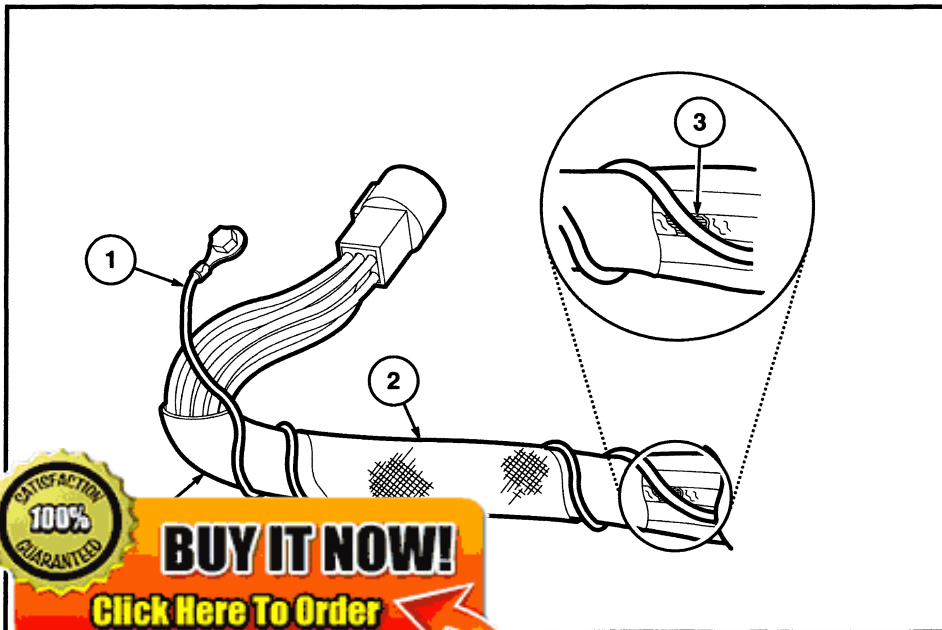
PayPal, American Express, Discover, MasterCard, VISA



Deformed (enlarged) female terminals

- 1 = Enlarged
- 2 = Normal

Any probe entering the terminal may enlarge the contact spring opening creating an intermittent signal. Insert the correct mating terminal (Location A) from the service kit and feel for a loose fit.



Electrical short inside the harness

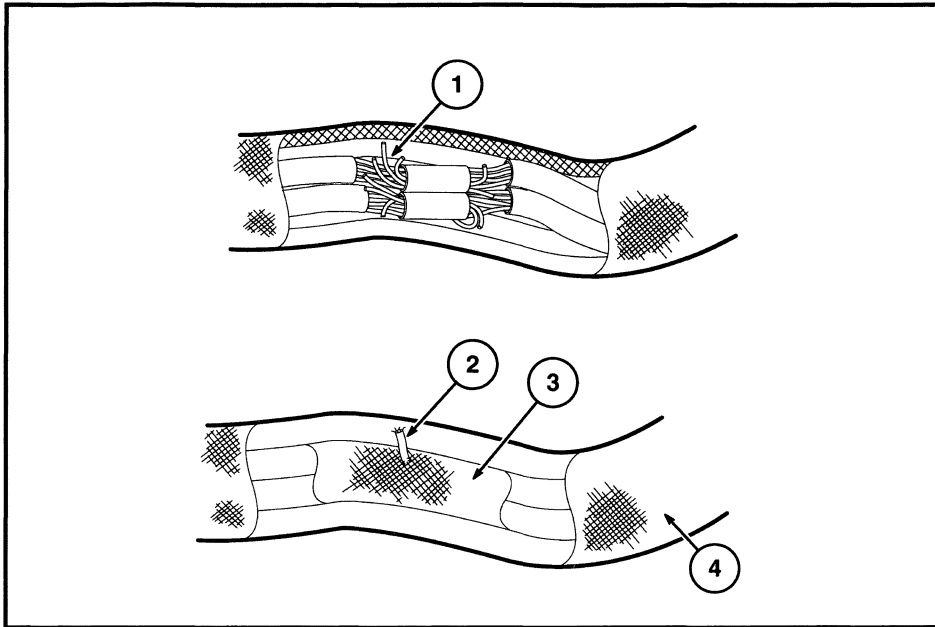
- 1 = Solder coated wire to ground
- 2 = Harness protective tape
- 3 = Intermittent short
Solder coated wire pierced through the insulation of another circuit
- 4 = Grounding foil

100% SATISFACTION GUARANTEED

BUY IT NOW!

Click Here To Order

PayPal American Express Cards DISCOVER NOVUS MasterCard VISA



Electrical short within the harness

Splice tape removed

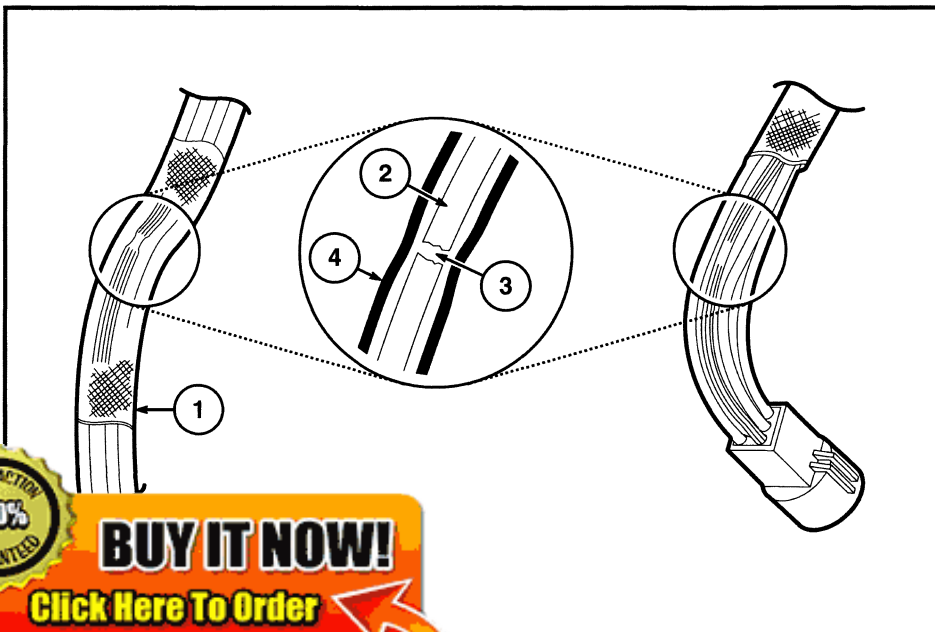
1 = Intermittent short

Splice covered

2 = Wire strand

3 = Splice tape

4 = Harness tape



Broken wire strands in harness

1 = Wiring harness tape

2 = Wiring strand

3 = Broken strands intermittent signal

4 = Circuit insulation

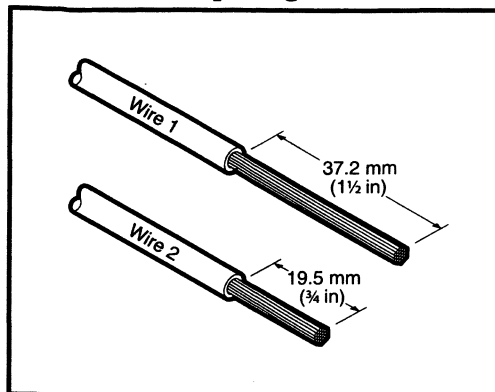
Remove the tape and flex/feel each circuit for a reduction in diameter at break.

SATISFACTORY 100% GUARANTEED

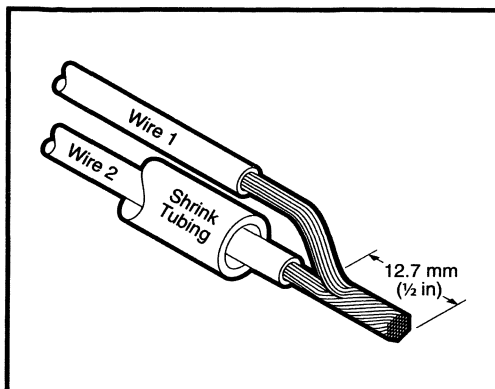
BUY IT NOW!

Click Here To Order

Recommended splicing method



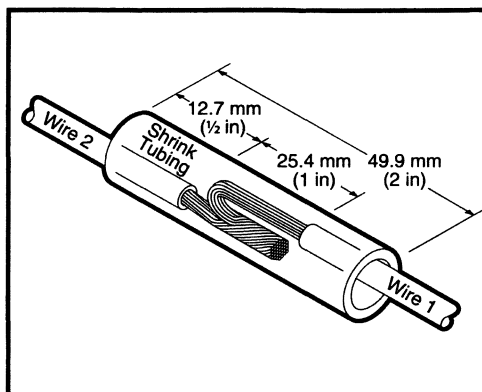
1. Disconnect battery ground cable.
2. Strip wires to appropriate length.



3. Install heat shrink tubing.
 4. Twist wires together.
 5. Solder wires together.
- NOTE:** Use rosin core mildly-activated (RMA) solder. Do not use acid core solder.

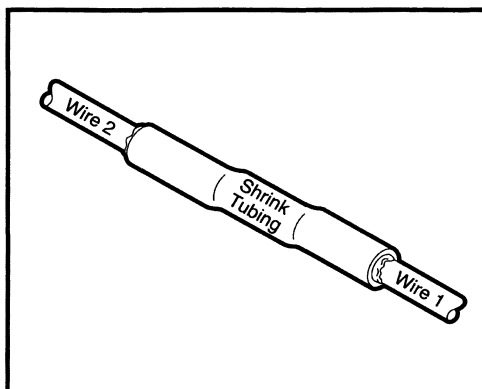


6. Bend Wire 1 back in a straight line.
- NOTE:** Wait for solder to cool before moving wires.



7. Evenly position heat shrink tubing over wire repair.

NOTE: Overlap tubing on both wires.



8. Use heat gun to heat the repaired area until adhesive flows out of both ends of heat shrink tubing.
9. Reconnect battery ground cable.

100% SATISFACTION GUARANTEED

BUY IT NOW!

Click Here To Order

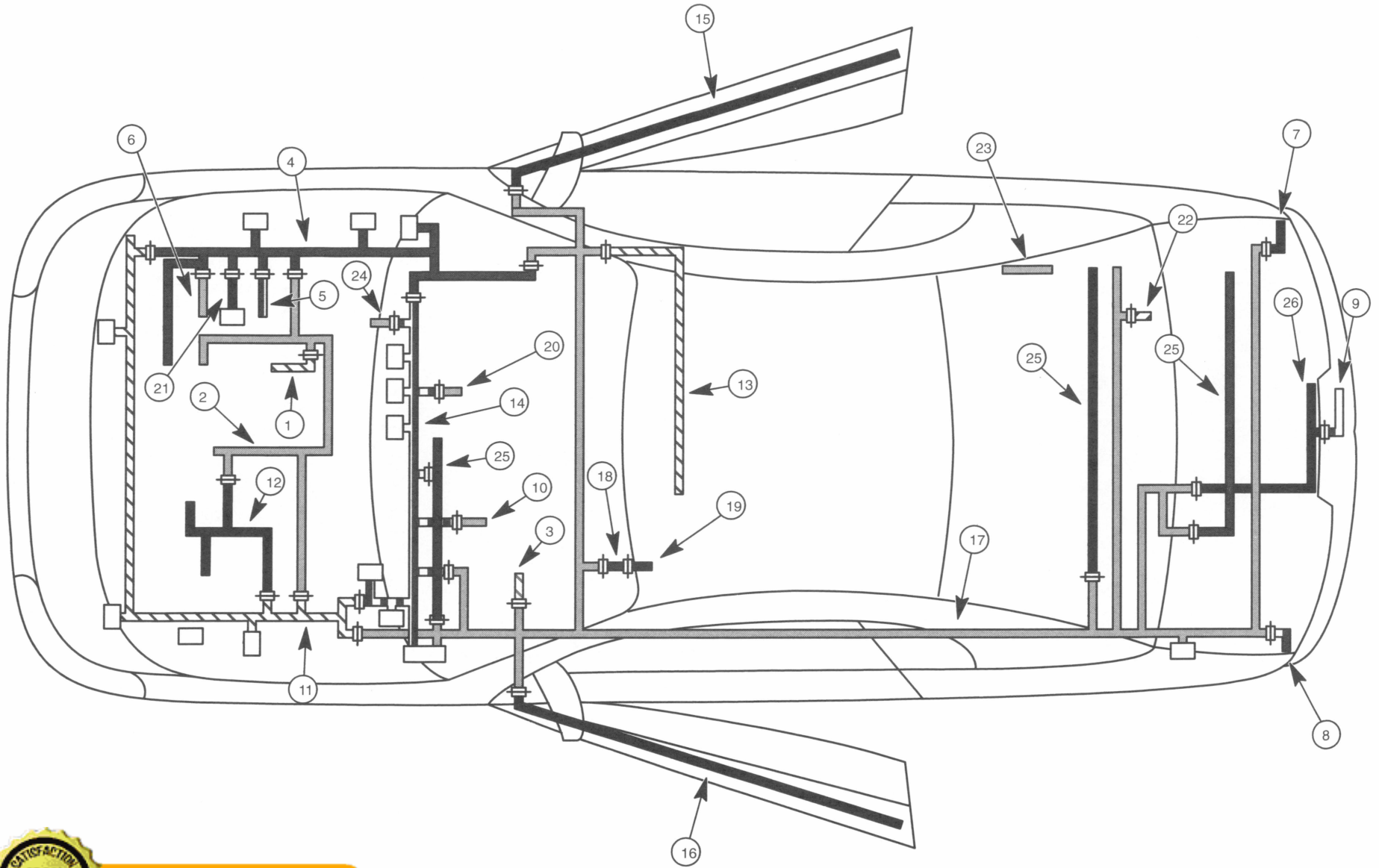
Notes

100% SATISFACTION GUARANTEED

BUY IT NOW!

Click Here To Order

PayPal American Express Cards Discover PLUS MasterCard VISA



100% SATISFACTION GUARANTEED

BUY IT NOW!

Click Here To Order

PayPal American Express Cards DISCOVER NOVUS MasterCard VISA

Item	Part Number	Description
1	7C078	Wiring harness – Automatic transmission
	15525	Wiring harness – Manual transmission
2	9D930	Wiring harness – Fuel charge (3.8L/3.9L)
	12B637	Wiring harness – Engine control sensor and fuel charge (4.6L)
3	12638	Wiring harness – Starter relay circuit
4	12A581	Wiring harness – Engine control sensor
5	12B559	Wiring harness – Engine, to knock sensor
6	12B566	Wiring harness – Engine electronic control air sensor
7	13407	Wiring harness – Rear lamp, Right
8	13410	Wiring harness – Rear lamp, Left
9	13A625	Wiring harness – High mounted stoplamp
10	13B319	Wiring harness – Turn signal switch
11	14290	Wiring harness – Dash panel to headlamp junction
12	14305	Wiring harness – Alternator rectifier system (3.8L/3.9L)
	14B060	Wiring harness – Starter motor relay and battery ground (4.6L)
13	14334	Wiring harness – Interior lamps (coupe)
	14335	Wiring harness – Interior illumination (Convertible)

Item	Part Number	Description
14	14401	Wiring harness – Main
15	14630	Wiring harness – Window regulator, right front door
16	14631	Wiring harness – Window regulator, left front door
17	14A005	Wiring harness – Body main
18	14A546	Wiring harness – Safety belt switch, Extension (without power seats)
	14C719	Wiring harness – Seat control feed jumper (with power seats)
19	14A699	Wiring harness – Power seats (without lumbar)
	14B084	Wiring harness – Lumbar adjust switch, driver side (with lumbar)
20	14B079	Wiring harness – Console Panel
21	14K095	Wiring harness – Fan motor
22	18C619	Wiring harness – Rear window heater
23	18C620	Wiring harness – Rear window heater ground
24	18C629	Wiring harness – Blower motor
25	19B113	Wiring harness – Radio amplifier
26	19B516	Wiring harness – Rear license plate lamp



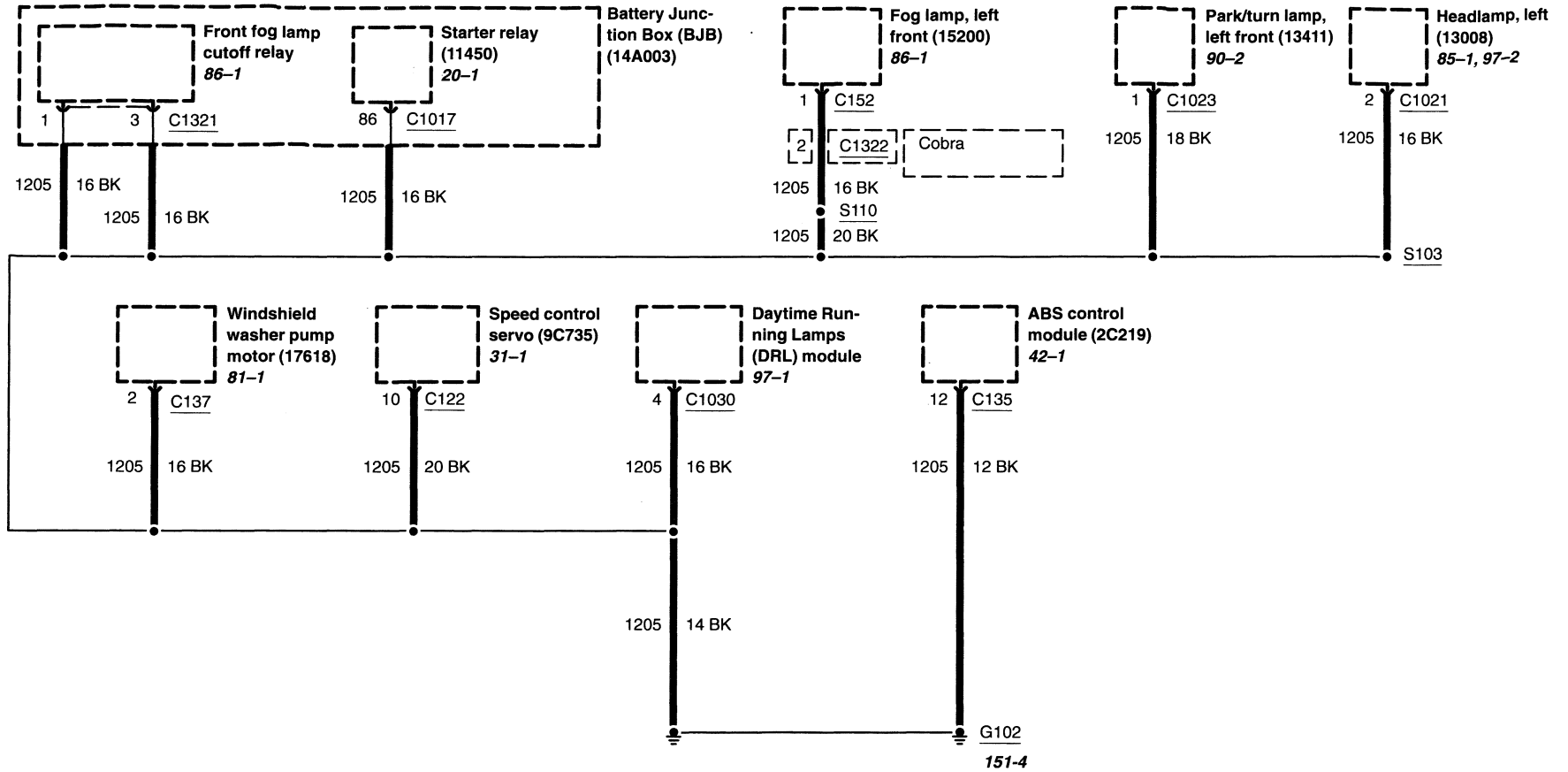
BUY IT NOW!
Click Here To Order







G102

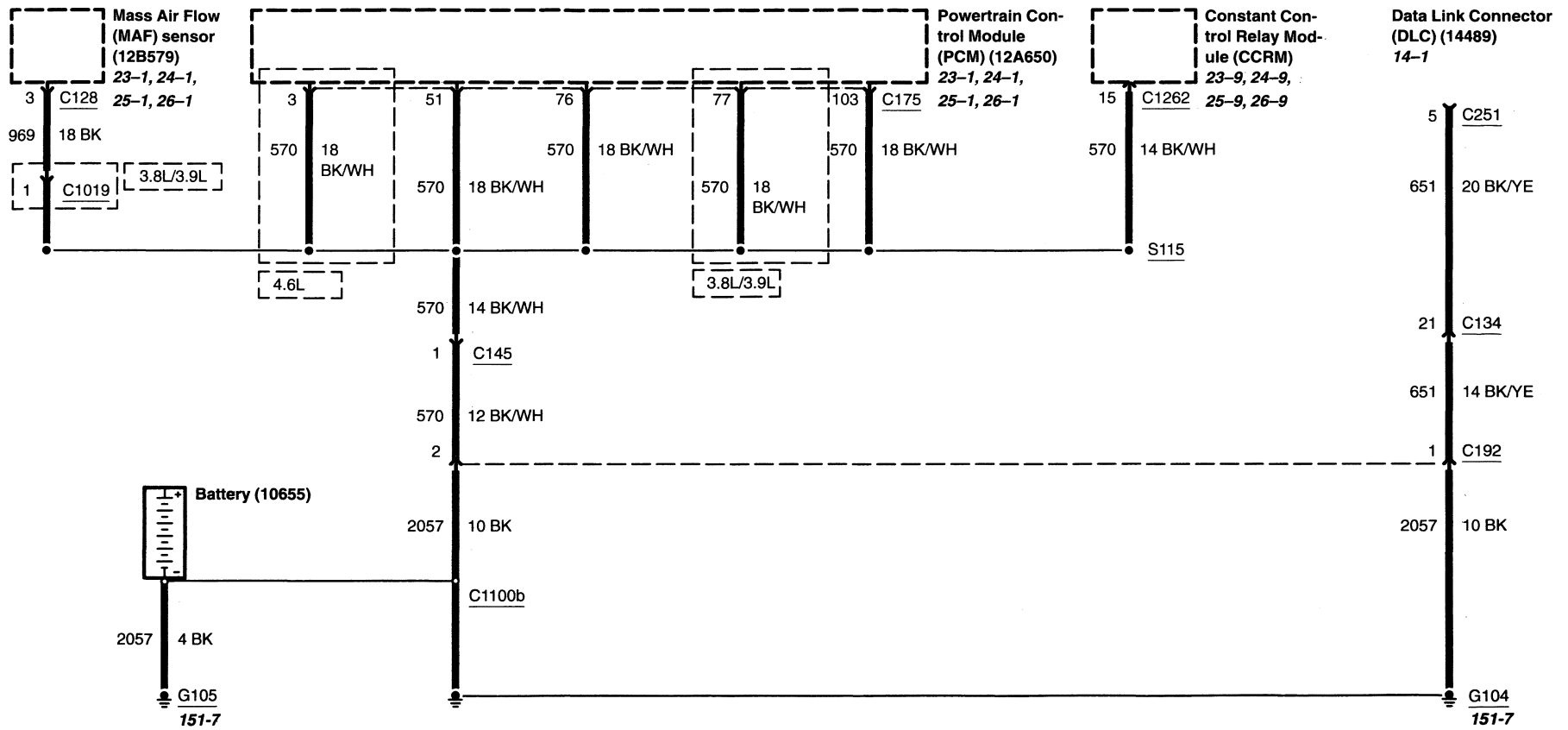


100% SATISFACTION GUARANTEED

BUY IT NOW!

Click Here To Order

G104, G105



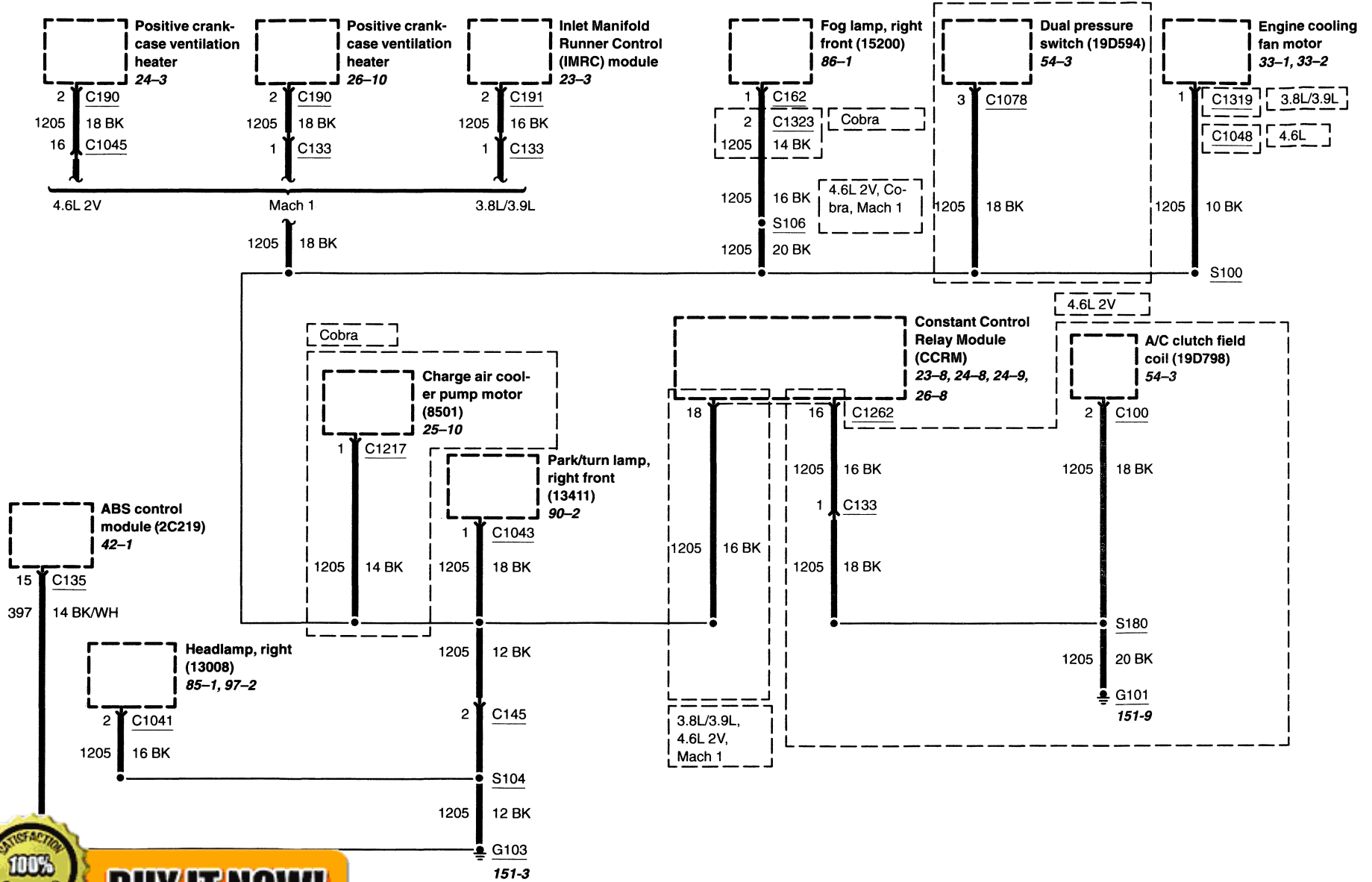
100% SATISFACTORY GUARANTEED

BUY IT NOW!

Click Here To Order

PayPal, American Express, Discover, MasterCard, VISA

G101, G103

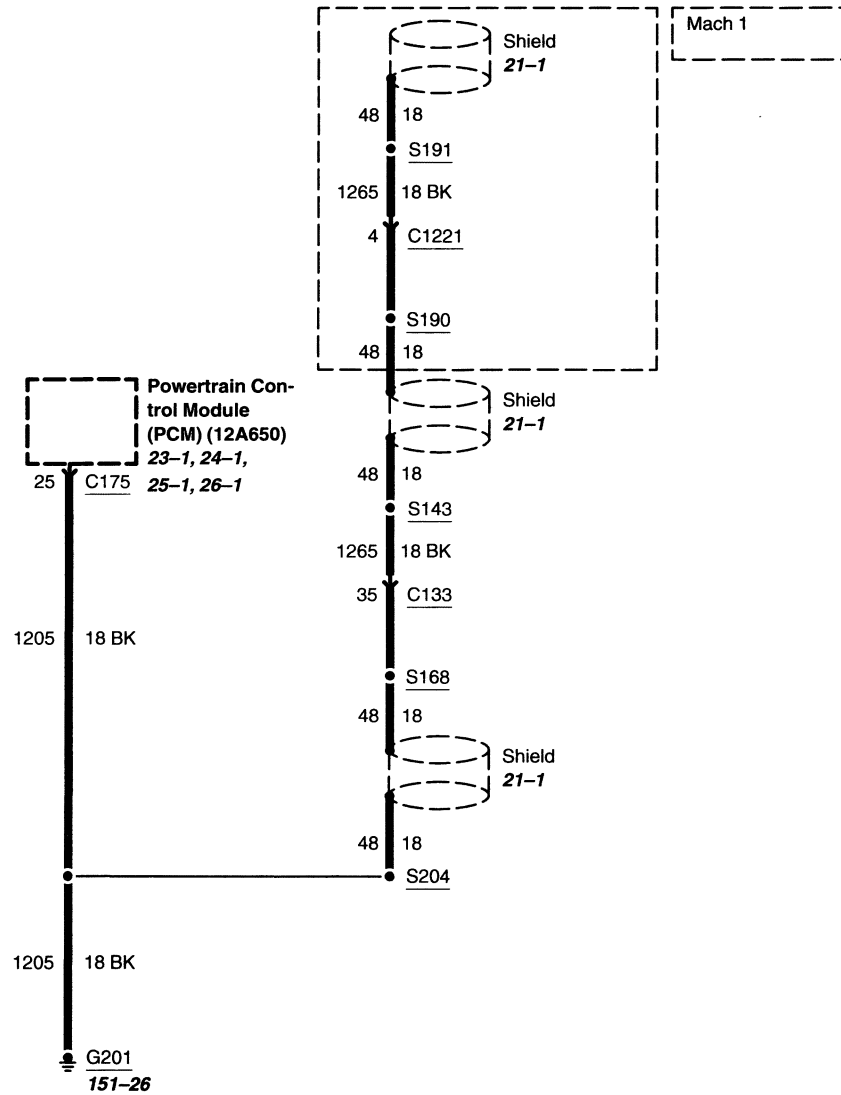


100% SATISFACTION GUARANTEED

BUY IT NOW!

Click Here To Order

G201

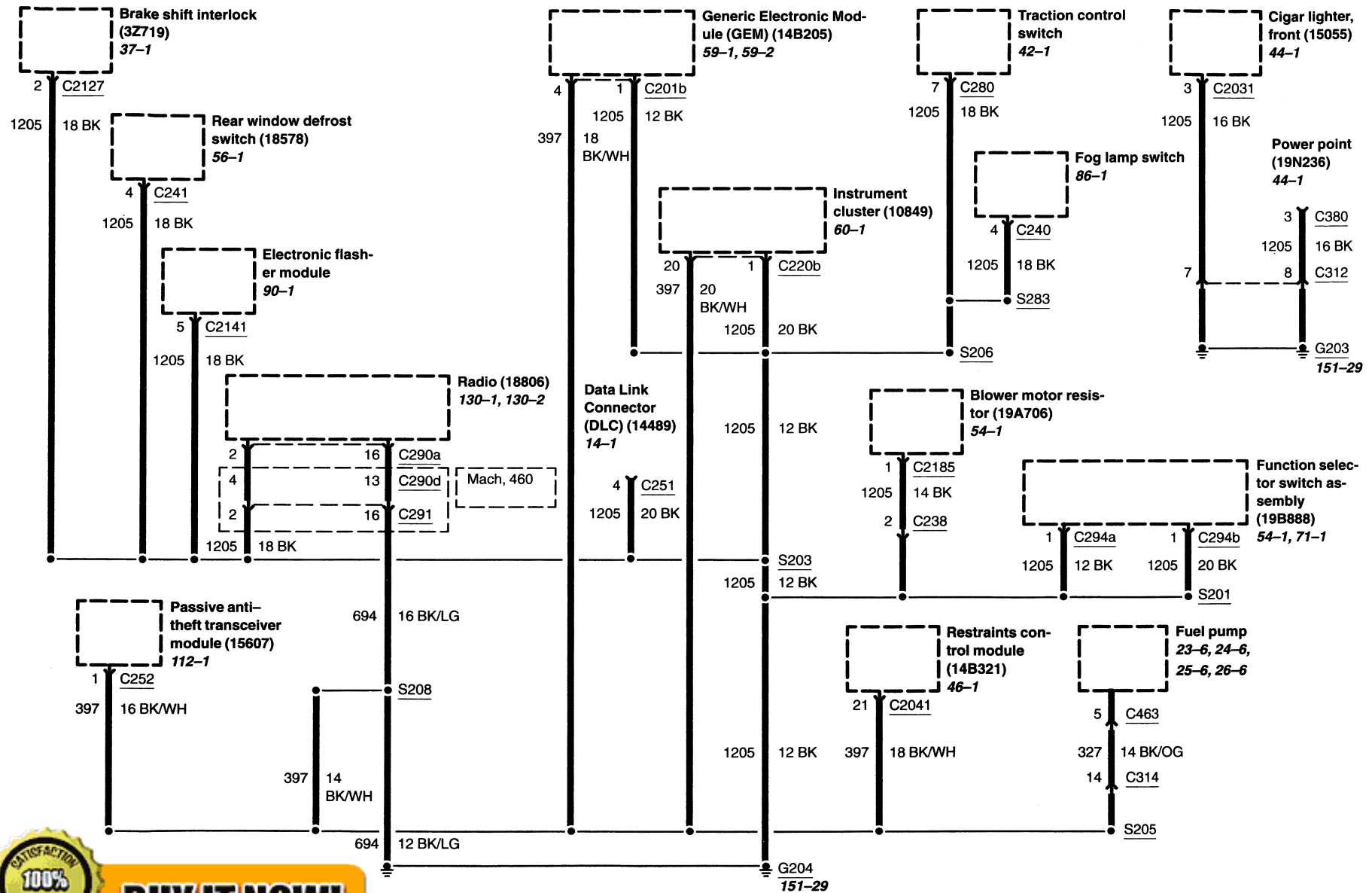


100% SATISFACTORY GUARANTEED

BUY IT NOW!

Click Here To Order

G203, G204



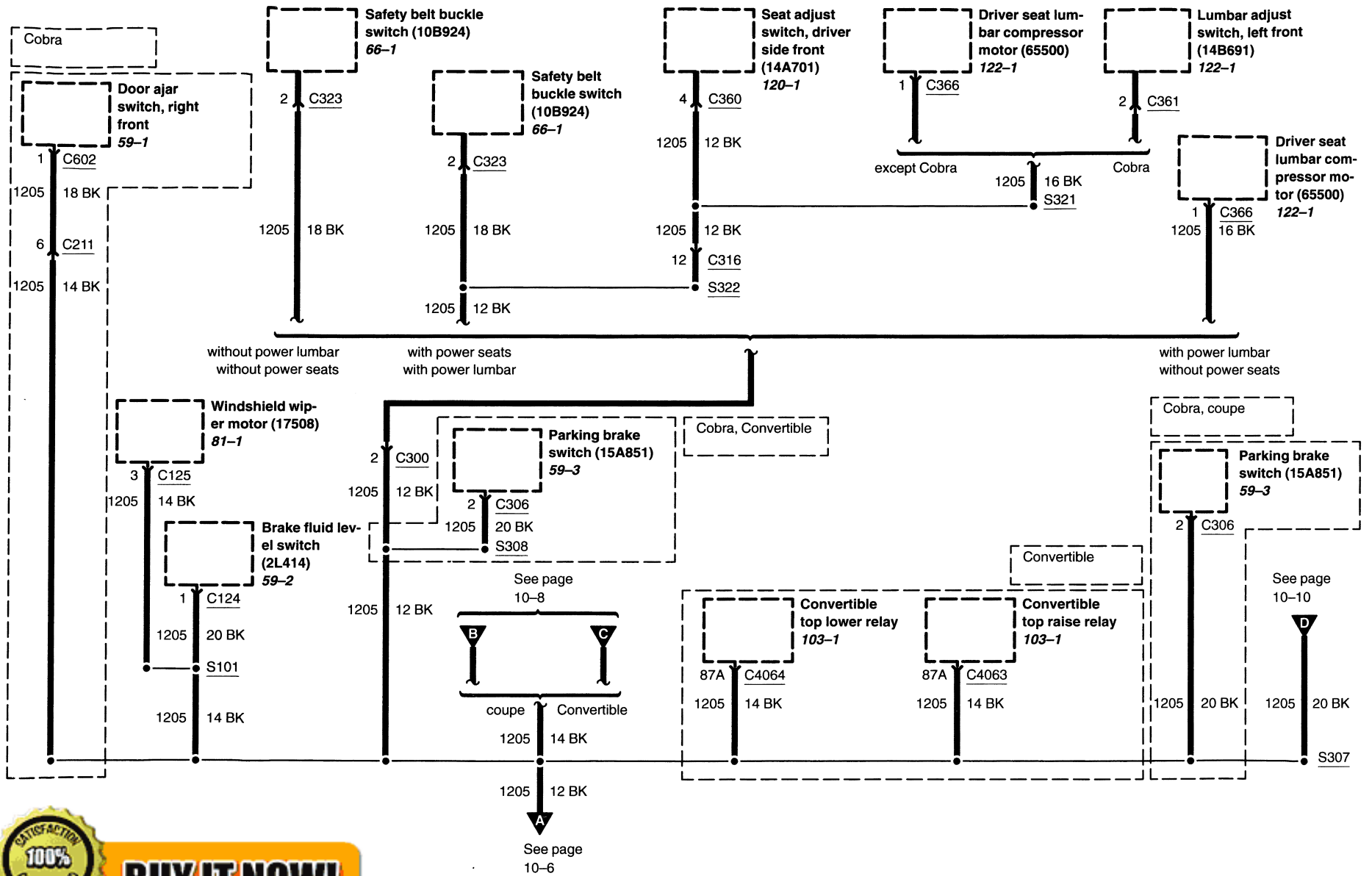
100% SATISFACTION GUARANTEED

BUY IT NOW!

Click Here To Order

Mustang GT

10-7 Grounds

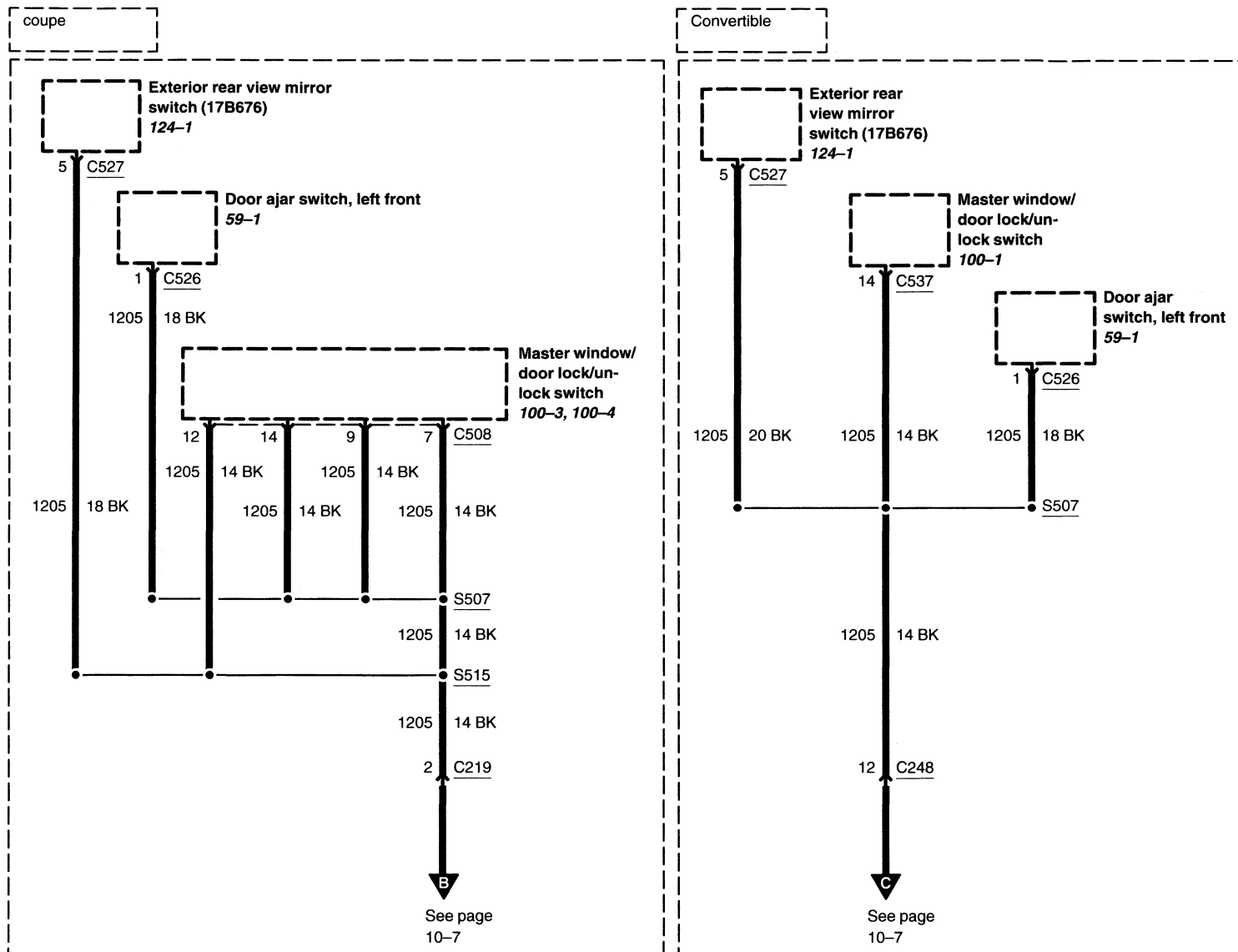


100% SATISFACTION GUARANTEED

BUY IT NOW!

Click Here To Order

Mustang 04



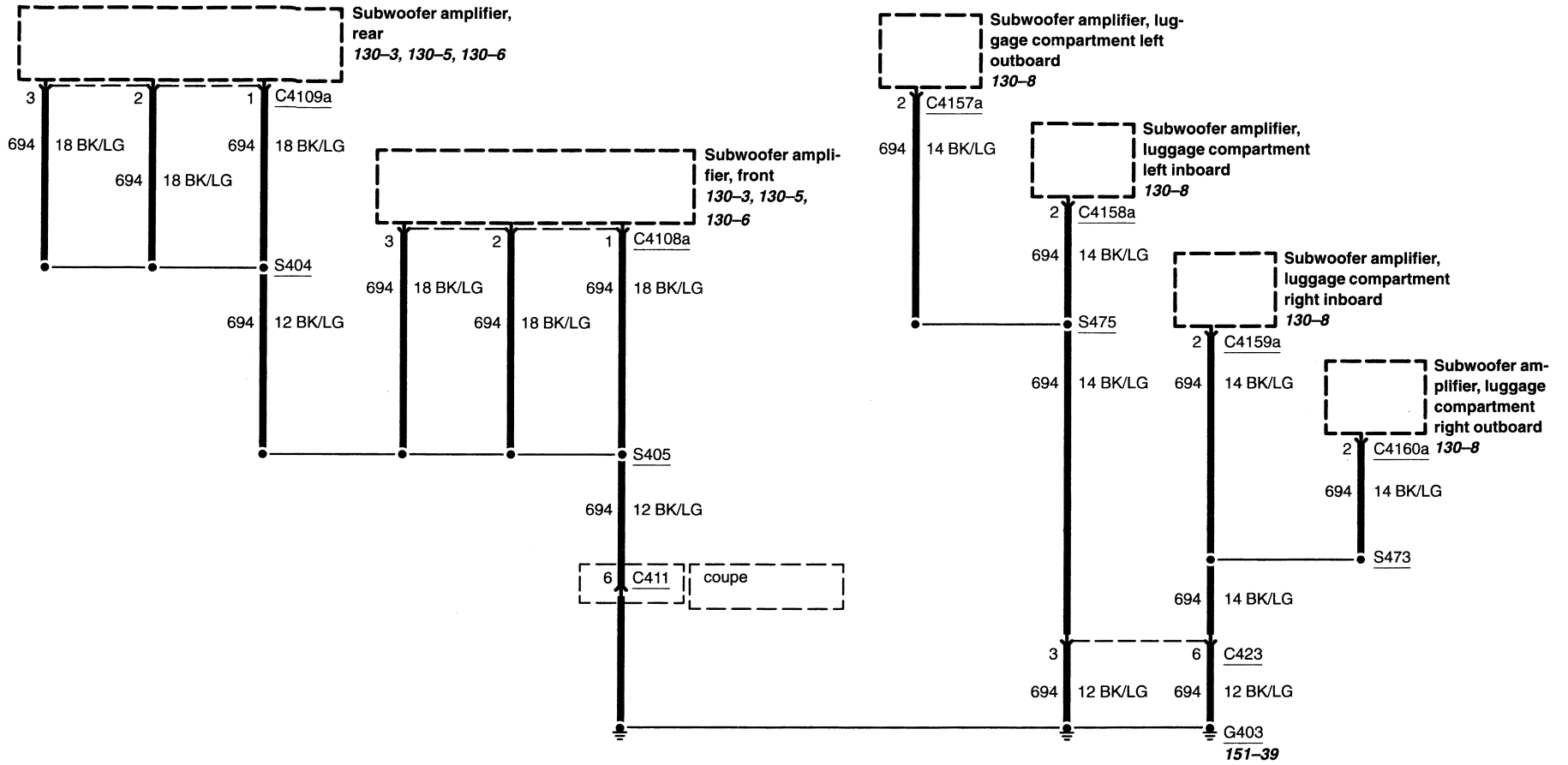
100% SATISFACTORY GUARANTEED

BUY IT NOW!

Click Here To Order

PayPal, American Express, Discover, MasterCard, VISA

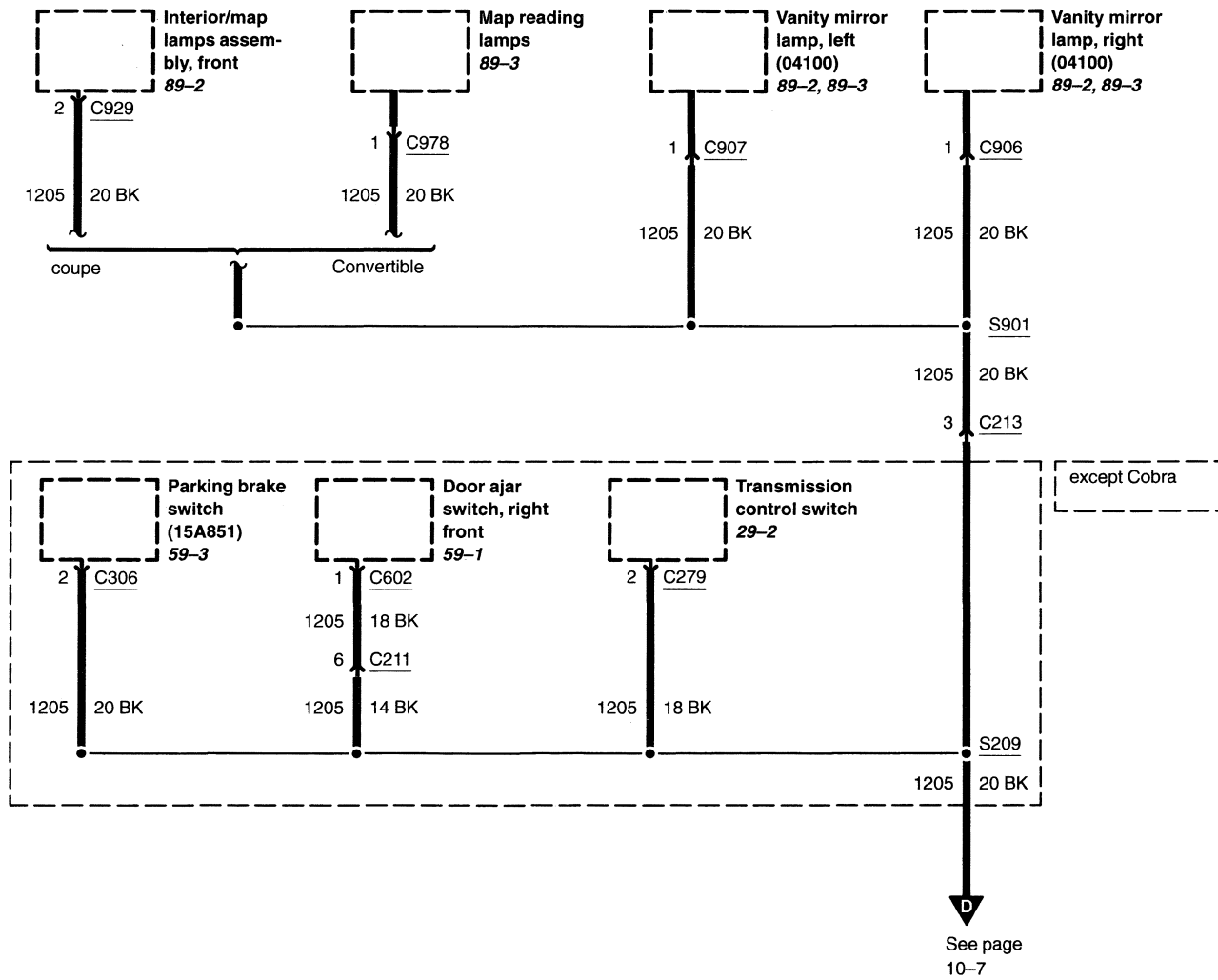
G403



100% SATISFACTION GUARANTEED

BUY IT NOW!

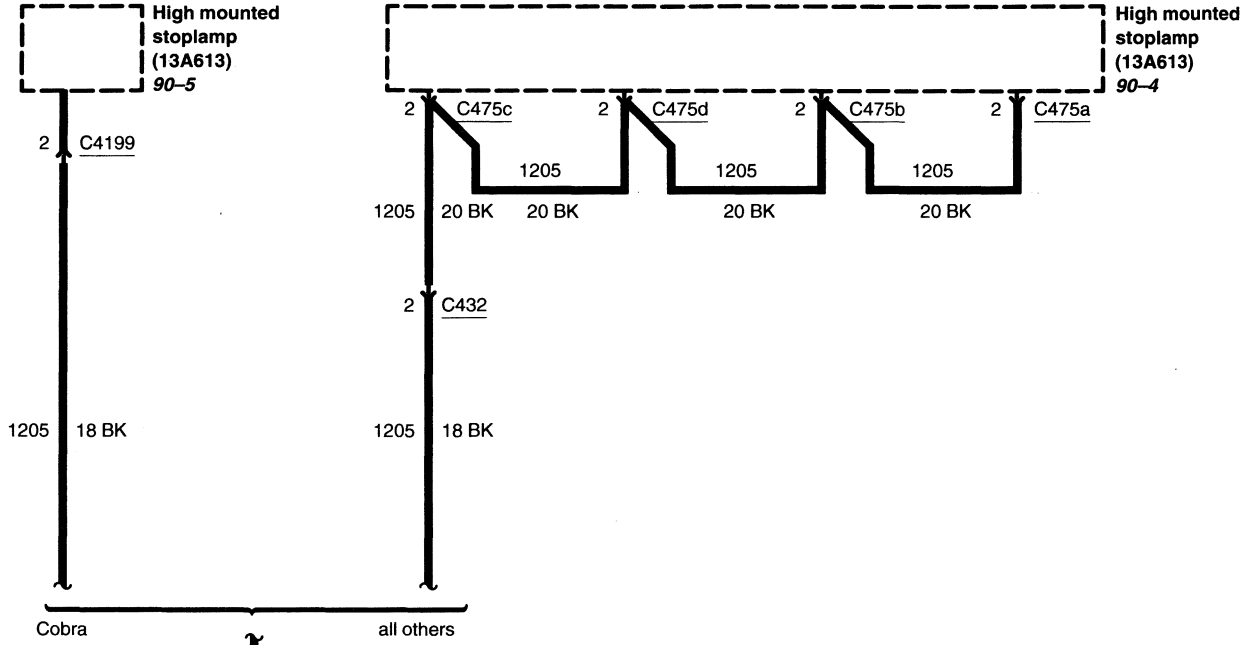
Click Here To Order



100% SATISFACTORY GUARANTEED

BUY IT NOW!

Click Here To Order



E

See page 10-6

100% SATISFACTION GUARANTEED

BUY IT NOW!

Click Here To Order

PayPal American Express Cards DISCOVER NOVUS MasterCard VISA

Splices

Location

- S270 Wiring harness – Main (14401) near T/O to, C260
- S272 Wiring harness – Main (14401) near T/O to, C260
- S274 Wiring harness – Engine control sensor (12A581) in T/O to, C210
- S275 Wiring harness – Engine control sensor (12A581) near T/O to, C210
- S276 Wiring harness – Main (14401) in T/O to, C314
- S277 Wiring harness – Main (14401) near T/O to, C290a
- S278 Wiring harness – Main (14401) in T/O to, C2021
- S280 Wiring harness – Body main (14A005) near T/O to, C257
- S281 Wiring harness – Main (14401) near T/O to, C250
- S282 Wiring harness – Main (14401) near T/O to, C265
- S283 Wiring harness – Main (14401) near T/O to, C240
- S284 Wiring harness – Main (14401) near T/O to, C240
- S307 Wiring harness – Body main (14A005) near T/O to, C311 – Convertible
- S307 Wiring harness – Body main (14A005) near T/O to, C300 – coupe
- S308 Wiring harness – Body main (14A005) near T/O to, C300
- S321 Wiring harness – Passenger, driver seat jumper (14B084) near T/O to, C360
- S322 Wiring harness – Seat control feed jumper (14C719) near T/O to, C360
- S323 Wiring harness – Body main (14A005) near T/O to, C313
- S404 Wiring harness – Body main (14A005) near T/O to, C4109a – Convertible

- S405 Wiring harness – Body main (14A005) near T/O to, C4108a – Convertible
- S405 Wiring harness – Radio amplifier (19B113) near T/O to, C4108a – coupe
- S407 Wiring assembly – Luggage compartment lamp (19B516) near T/O to, C452
- S409 Wiring harness – Body main (14A005) near T/O to, C4062 – premium radio
- S409 Wiring harness – Body main (14A005) near T/O to, C4108a – Mach 460, Mach 1000
- S414 Socket and wiring assembly – Rear lamp LH (13410) near T/O to, C4113
- S415 Socket and wiring assembly – Rear lamp RH (13407) near T/O to, C4114
- S417 Wiring assembly – Luggage compartment lamp (19B516) near T/O to, C452
- S418 Wiring harness – Body main (14A005) near T/O to, C405
- S419 Socket and wiring assembly – Rear lamp RH (13407) near T/O to, C4114
- S420 Socket and wiring assembly – Rear lamp LH (13410) near T/O to, C4113
- S425 Wiring harness – Body main (14A005) near T/O to, C406
- S429 Wiring harness – Body main (14A005) near T/O to, C311 – Mach 460, Mach 1000
- S429 Wiring harness – Body main (14A005) near T/O to, C313 – premium radio
- S431 Wiring harness – Body main (14A005) near T/O to, C4062 – Convertible
- S431 Wiring harness – Radio amplifier (19B113) near T/O to, C4110 – coupe
- S432 Wiring harness – Body main (14A005) near T/O to, C4108b – Convertible
- S432 Wiring harness – Radio amplifier (19B113) near T/O to, C4108a – coupe

100% SATISFACTION GUARANTEED

BUY IT NOW!

Click Here To Order

PayPal American Express Discover MasterCard VISA

Splices

Location

- | | | | |
|------|---|------|--|
| S433 | Wiring harness – Body main (14A005) near T/O to, C4108b – Convertible | S475 | Wiring harness – Radio amplifier (19B113) in T/O to, C423 |
| S433 | Wiring harness – Radio amplifier (19B113) near T/O to, C4110 – coupe | S480 | Wiring harness – Radio amplifier (19B113) near T/O to, C4108b – Convertible |
| S434 | Wiring harness – Body main (14A005) near T/O to, C4108b – Convertible | S480 | Wiring harness – Body main (14A005) in T/O to, C463 – coupe |
| S434 | Wiring harness – Radio amplifier (19B113) near T/O to, C4110 – coupe | S481 | Wiring harness – Body main (14A005) in T/O to, C463 |
| S436 | Wiring harness – Body main (14A005) near T/O to, C4108b – Convertible | S482 | Wiring harness – Body main (14A005) near T/O to, G400 |
| S436 | Wiring harness – Radio amplifier (19B113) near T/O to, C4108a – coupe | S483 | Wiring harness – Body main (14A005) in T/O to, C433 |
| S437 | Wiring harness – Body main (14A005) near T/O to, C4108b – Convertible | S484 | Wiring harness – Body main (14A005) near T/O to, C405 |
| S437 | Wiring harness – Radio amplifier (19B113) near T/O to, C4108a – coupe | S504 | Wiring harness – Window regulator, left front door (14631) near T/O to, C536 – Mach 460, Mach 1000 |
| S440 | Wiring assembly – Luggage compartment lamp (19B516) near T/O to, C452 | S504 | Wiring harness – Window regulator, left front door (14631) near T/O to, C523 – premium radio |
| S450 | Wiring harness – Body main (14A005) near T/O to, C405 | S505 | Wiring harness – Window regulator, left front door (14631) near T/O to, C536 – Mach 460, Mach 1000 |
| S451 | Wiring harness – Body main (14A005) in T/O to, C433 | S505 | Wiring harness – Window regulator, left front door (14631) near T/O to, C523 – premium radio |
| S470 | Wiring harness – Radio amplifier (19B113) near T/O to, C4158b | S506 | Wiring harness – Window regulator, left front door (14631) near T/O to, C536 – Mach 460, Mach 1000 |
| S471 | Wiring harness – Radio amplifier (19B113) in T/O to, C4175a | S506 | Wiring harness – Window regulator, left front door (14631) near T/O to, C523 – premium radio |
| S472 | Wiring harness – Radio amplifier (19B113) in T/O to, C4158a | S507 | Wiring harness – Window regulator, left front door (14631) near T/O to, C518 – coupe |
| S473 | Wiring harness – Radio amplifier (19B113) near T/O to, C4157b | S507 | Wiring harness – Window regulator, left front door (14631) near T/O to, C516 – Convertible |
| | Wiring harness – Radio amplifier (19B113) in T/O to, | S510 | Wiring harness – Window regulator, left front door (14631) near T/O to, C516 |
| | | S515 | Wiring harness – Window regulator, left front door (14631) near T/O to, C516 |
| | | S901 | Wiring harness – Interior illumination (14335) near T/O to, C906 – Convertible |
| | | S901 | Wiring harness – Interior lamps (14334) near T/O to, C906 – coupe |

Splices

Location

- S902 Wiring harness – Interior illumination (14335) near T/O to, C906 – Convertible
- S902 Wiring harness – Interior lamps (14334) near T/O to, C906 – coupe



100% SATISFACTION GUARANTEED

BUY IT NOW!

Click Here To Order

PayPal American Express Cards DISCOVER NOVUS MasterCard VISA

Wiring harness

Cell 151

	Location	Page/coordinates
7C078	Wiring harness – Automatic transmission – Automatic	20 – E 2
9D930	Wiring harness – Fuel charge – 3.8L/3.9L	1 – C 2
12638	Wiring harness – Starter relay circuit – Automatic	
12A581	Wiring harness – Engine control sensor – 3.8L/3.9L	1 – D 2
12A581	Wiring harness – Engine control sensor – Mach 1 ..	10 – C 1
12A581	Wiring harness – Engine control sensor – Cobra	15 – B 1
12A581	Wiring harness – Engine control sensor – 4.6L 2V ..	5 – B 1
12B559	Wiring harness – Engine, to knock sensor – Mach 1	10 – F 4
12B566	Wiring harness – Engine electronic control air sensor – 3.8L/3.9L	3 – B 1
12B637	Wiring harness – Engine control sensor and fuel charge – Mach 1	10 – A 4
12B637	Wiring harness – Engine control sensor and fuel charge – Cobra	15 – A 4
12B637	Wiring harness – Engine control sensor and fuel charge – 4.6L 2V	5 – A 6
13407	Wiring harness – Rear lamp, Right – coupe	34 – D 7
13407	Wiring harness – Rear lamp, Right – Convertible ...	38 – E 8
13410	Wiring harness – Rear lamp, Left – coupe	34 – E 7
13410	Wiring harness – Rear lamp, Left – Convertible	37 – E 8
13A625	Wiring harness – High mounted stoplamp	35 – E 7
13B319	Wiring harness – Turn signal switch	30 – E 6
14290	Wiring harness – Dash panel to headlamp junction – 3.8L/3.9L	1 – C 7
14290	Wiring harness – Dash panel to headlamp junction – 4.6L 2V	5 – F 4
	Wiring harness – Dash panel to headlamp junction –	10 – F 5

14290	Wiring harness – Dash panel to headlamp junction – Cobra	15 – F 4
14305	Wiring harness – Alternator rectifier system – 3.8L/3.9L	1 – B 7
14334	Wiring harness – Interior lamps – coupe	33 – C 1
14335	Wiring harness – Interior illumination – Convertible	36 – A 6
14401	Wiring harness – Main	27 – B 7
14630	Wiring harness – Window regulator, right front door	32 – A 6
14631	Wiring harness – Window regulator, left front door .	31 – B 7
14A005	Wiring harness – Body main – coupe	33 – E 2
14A005	Wiring harness – Body main – Convertible	36 – E 2
14A546	Wiring harness – Safety belt switch, Extension – coupe	34 – A 3
14A546	Wiring harness – Safety belt switch, Extension – Convertible	39 – A 5
14A699	Wiring harness – Power seats	
14B060	Wiring harness – Starter motor relay and battery ground – 3.8L/3.9L	1 – E 7
14B060	Wiring harness – Starter motor relay and battery ground – Mach 1	11 – F 5
14B060	Wiring harness – Starter motor relay and battery ground – Cobra	15 – E 7
14B060	Wiring harness – Starter motor relay and battery ground – 4.6L 2V	5 – E 5
14B079	Wiring harness – Console Panel – coupe	35 – B 1
14B079	Wiring harness – Console Panel – Convertible	36 – E 4
14B084	Wiring harness – Lumbar adjust switch, driver side	
14C719	Wiring harness – Seat control feed jumper – coupe – with power seats	34 – A 3
14C719	Wiring harness – Seat control feed jumper – Convertible	39 – A 5
14K095	Wiring harness – Fan motor	
15525	Wiring harness – Manual transmission – Manual – 4.6L 2V	21 – D 1

100% SATISFACTION GUARANTEED

BUY IT NOW!

Click Here To Order

PayPal American Express Discover MasterCard VISA

Wiring harness

Cell 151

	Location	Page/coordinates
15525	Wiring harness – Manual transmission – Manual – Mach 1	22 – D 1
15525	Wiring harness – Manual transmission – Manual – 3.8L/3.9L	23 – D 1
15525	Wiring harness – Manual transmission – Manual – Cobra	24 – D 1
18C619	Wiring harness – Rear window heater – Convertible	38 – A 5
18C620	Wiring harness – Rear window heater ground – coupe	34 – A 5
18C620	Wiring harness – Rear window heater ground – Convertible	37 – A 8
18C629	Wiring harness – Blower motor	
19B113	Wiring harness – Radio amplifier	41 – A 2
19B516	Wiring harness – Rear license plate lamp – coupe ..	34 – A 7
19B516	Wiring harness – Rear license plate lamp – Convertible	40 – D 8

100% SATISFACTION GUARANTEED

BUY IT NOW!

Click Here To Order

M

PayPal American Express Cards Discover NOWUS MasterCard VISA



**TECHNICAL
SUPPORT OPERATIONS**
Ford Customer Service Division

DECEMBER 2003

LITHO IN U.S.A.
PG-368



FCS-12121-04