

# 1991 BRONCO / F150-F350 F-SUPER DUTY



**Electrical &  
Vacuum  
Trouble-**

**100% SATISFACTION GUARANTEED**  
**BUY IT NOW!**  
**Click Here To Order** 

PayPal   American Express   DISCOVER   MasterCard   VISA

## DEMO

This DEMO contains only a few pages of the entire manual/product.

Not all Bookmarks work on the Demo, but they do on the full version.

### Features:

- Searchable text
- Printable pages
- Bookmarked for easy navigation
- High Resolution images
- Zoom to see exact details
- Money back Guarantee
- Available on USB and eBook download



License #84356800

Copyright © 2023, Forel Publishing Company, LLC, Woodbridge, Virginia

All Rights Reserved. No part of this book may be used or reproduced in any manner whatsoever without written permission of Forel Publishing Company, LLC. For information write to Forel Publishing Company, LLC, Woodbridge, VA 22192

**1991 Bronco/F150-F350/F-Super Duty Electrical &  
Vacuum Trouble-Shooting Manual (EVTM)**

**EAN: 978-1-60371-414-3**

**ISBN: 1-60371-414-6**

Forel Publishing Company, LLC  
Woodbridge, VA 22192  
Email: [sales@ForelPublishing.com](mailto:sales@ForelPublishing.com)  
<https://www.ForelPublishing.com>



This publication contains material that is reproduced and distributed under a license from Ford Motor Company. No further reproduction or distribution of the Ford Motor Company material is allowed without the express written permission of Ford Motor Company.

---

## Note from the Publisher

This product was created from the original Ford Motor Company's publication. Every effort has been made to use the original scanned images, however, due to the condition of the material; some pages have been modified to remove imperfections.

---

## Disclaimer

Although every effort was made to ensure the accuracy of this book, no representations or warranties of any kind are made concerning the accuracy, completeness or suitability of the information, either expressed or implied. As a result, the information contained within this book should be used as general information only. The author and Forel Publishing Company, LLC shall have neither liability nor responsibility to any person or entity with respect to any loss or damage caused, or alleged to be caused, directly or indirectly by the information contained in this book. Further, the publisher and author are not engaged in rendering legal or other professional services. If legal, mechanical, electrical, or other expert assistance is required, the professional should be sought.



# 1991 BRONCO/F150-F350/F SUPER DUTY

## ELECTRICAL AND VACUUM TROUBLESHOOTING MANUAL ART-12129-91

### FORD PARTS and SERVICE DIVISION

### Quality is Job 1

Ford Parts and Service Division has developed a new format for the EVTVM for the 1991 Thunderbird/Cougar. Our goal is to provide accurate and timely electrical and vacuum service information.

### 1991 EVTVM FEATURES

- **"HOW THE CIRCUIT WORKS"** descriptions that explain how each circuit works. These descriptions are designed to be used in conjunction with the Electrical Schematic.
- **Component Location** information, within each system, that tells where each component is located on the vehicle as well as a reference to a **"COMPONENT LOCATION VIEW."**
- **"COMPONENT TESTING"** procedures (CELL 149) that tell the user how to perform diagnostic tests on various circuits.
- **Connector End Views** (**"COMPONENT CONNECTOR FACES"** CELL 150) are shown for connectors with five or more cavities; and for connectors with ten or more cavities, a circuit function chart is provided.
- **NOTES, CAUTIONS and WARNINGS** that contain important safety information.
- Full view **"COMPONENT LOCATION VIEWS"** (CELL 151) to help locate on-vehicle components.
- **Component Base Part Numbers** and **Harness Base Part Numbers** to aid in ordering parts.
- **Cellular Pagination:** A specific section (or cell) in all EVTVMs is numbered by cell and starts with page 1. For example: **"HOW TO FIND ELECTRICAL CONCERNS"** is CELL 5 and begins with page 5-1.

igned for all electrical connectors. "C" numbers are listed  
are listed in numerical order in the "LOCATION INDEX"

" - A feedback sheet is provided on the last page.

### ORDERING INFORMATION

Information about how to order additional copies of this publication or other Ford publications may be obtained by writing to Helm Incorporated at the address shown below or by calling 1-800-782-4356. Other publications available include:

- Shop Manuals
- Service Specification Books
- Car/Truck Wiring Diagrams
- Engine/Emissions Diagnosis Manuals

Helm Incorporated  
P.O. Box 87150  
Detroit, Michigan 48207



# 1-1 TABLE OF CONTENTS/INDEX

## Table Of Contents

How to Use This Manual	2-1
Helpful Reminders	3-1
Electrical Symbols	4-1
How to Find the Electrical Concern	5-1
Grounds	10-1
Circuit Protection/Fuse Panel	11-1
Charging System	12-1
Power Distribution	13-1
Starting System	20-1
Ignition System	21-1
Electronic Engine Control (4.9L EFI)	23-1
Electronic Engine Control (5.0L and 5.8L EFI)	24-1
Electronic Engine Control (7.5L EFI)	25-1
Glow Plug Control	26-1
E4OD Transmission (Diesel)	29-1
E4OD Transmission (Gasoline)	30-1
Speed Control	31-1
Cooling Fan	33-1
All Wheel Drive	34-1
Anti-Lock Brakes	42-1
Horn/Cigar Lighter	44-1
Fuel Tank Selector	49-1
Heater	53-1
Air Conditioner/Heater	54-1
Rear Window Defrost	56-1
Instrument Cluster (4 Gauge)	60-1
Instrument Cluster (5 Gauge)	61-1
Vehicle Speed Sensor (VSS)	64-1
Warning Indicators	65-1
Warning Chime	66-1
Interior Illumination	71-1
Exterior Lamps	80-1
Backup Lamps	81-1
Trailer Adapter	85-1
Daytime Running Lamps	89-1
Power Windows	90-1
Power Door Locks	90-1

Exterior Lamps	92-1
Backup Lamps	93-1
Trailer Adapter	95-1
Daytime Running Lamps	97-1
Power Windows	100-1
Power Door Locks	110-1
Radio	130-1
Vacuum Symbols	140-1
How to Find Vacuum Concern	141-1
Vacuum Distribution	142-1
Component Testing	149-1
Connector Faces	150-1
Component Location Views	151-1
Location Index	152-1
Vehicle Repair Location Codes	160-1

## Index

All Wheel Drive	34-1
Anti-lock Brakes	42-1
A/C-Heater	
Vacuum	54-1
Electrical	54-2
Charging System	12-1
Cigar Lighter	44-1
Circuit Protection/Fuse Panel	11-1
Component Testing	
A/C Function Selector Switch	149-7
Backup/Neutral Safety Switch	149-12
Blower Switch	149-8
Heater Function Selector Switch	149-9
Ignition Switch	149-2
Interval Wiper/Washer Switch	149-6
Introduction	149-1
Main Light Switch	149-1
Manual Lever Position Switch	149-11
Multi-Function Switch	149-3, 149-4
Tank Selector Valve	149-10
Wiper/Washer Switch	149-5

Connector Faces/Pinout Charts	150-1
Courtesy Lamps	89-1
Electronic Engine Control	
4.9L	23-1
5.0L & 5.8L	24-1
7.5L	25-1
E4OD Transmission	30-1
Fuel Tank Selector	
Diesel	49-1
Gas	49-2
Fuse Panel	
Diesel	12-5
Gas	12-3
Fuse 4	12-12
Fuse 5	12-9, 12-10
Fuse 8	12-12
Fuse 10	12-6
C.B.12	12-11
Fuse 11	12-12
Fuse 18	12-7, 12-8
Gauges	
Coolant Temperature	60-1, 61-1, 61-2
Fuel	
Diesel	61-2
Gas	60-1, 61-1
Oil Pressure	
Diesel	61-2
Gas	60-1, 61-1
Tachometer	
Diesel	61-2
Gas	61-1
Voltmeter	
Diesel	61-2
Gas	60-1, 61-1
Glow Plug Control	26-1
Grounds	
G100	
4.9L, 5.0L, 5.8L	10-1

**100% SATISFACTION GUARANTEED**

**BUY IT NOW!**

**Click Here To Order**

PayPal American Express Discover MasterCard VISA

# TABLE OF CONTENTS/INDEX 1-2

7.3L .....	10-3	Instrument Illumination .....	71-1	Starting System	
7.5L .....	10-5	Lamps (Exterior)		Diesel .....	20-3
G101		Backup .....	93-1, 93-2	Gas .....	20-1
4.9L, 5.0L, 5.8L .....	10-2	Daytime Running Lamps .....	97-1	Trailer Adapter .....	95-1
7.3L .....	10-4	Hazard .....	90-1	Transmission Control .....	29-1
7.5L .....	10-6	License		Vacuum Distribution .....	140-1
G102 .....	10-4	F-Series .....	92-1	Vehicle Speed Sensor (VSS) .....	64-1
G201 .....	10-10	Bronco I .....	92-2	Warning Chimes .....	66-1
G401 .....	10-9	Marker .....	92-1, 92-3	Warning Indicators .....	65-1
Headlamps .....	85-1	Park		Windshield Wiper/Washer .....	80-1
Heater .....	53-1	F-Series .....	92-1	Wiper/Washer (Interval) .....	81-1
Horn .....	44-1	Bronco I .....	92-2		
Ignition Switch .....	20-2	Stop .....	90-1		
Diesel .....	12-5	Turn			
Gas .....	12-3	Front .....	92-1		
Ignition System .....	21-1	Rear .....	92-2, 90-3		
Indicators		Lamps (Interior)			
4 x 4 .....	60-2, 61-3	Cargo/Dome			
Anti-lock .....	42-1, 60-2, 61-3	F-Series .....	89-1		
Brake Warning		Bronco I .....	89-2		
Diesel .....	65-1	Courtesy Lamps			
Gas .....	60-2, 61-3	F-Series .....	89-1		
Charge .....	12-1, 12-2	Bronco I .....	89-2, 89-3		
Check Engine .....	60-2, 61-3	Leece and Neville Alternator .....	13-1		
Engine Warning .....	61-2	Main Light Switch .....	12-12		
Fasten Seat Belt .....	60-3, 61-4	Power Distribution .....	13-1		
High Beam .....	85-1, 85-2	Power Door Locks .....	110-1		
Low Range .....	60-2, 61-3	Power Windows			
Plugged Fuel Filter .....	61-2, 65-1	F-Series .....	100-1		
Turn		Bronco I .....	100-2		
Left .....	60-3, 61-4, 90-1	Radio .....	130-1		
Right .....	60-3, 61-4, 90-1	Rear Window Defrost .....	56-1		
to Start .....	65-1	Speed Control			
to Stop .....	65-1	Diesel .....	31-3		
to Turn .....	60-1	Gas .....	31-2		
to Start .....	61-1				

## IMPORTANT SAFETY NOTICE

*Appropriate service methods and proper repair procedures are essential for the safe, reliable operation of all motor vehicles, as well as the personal safety of the individual doing the work. This Manual provides general directions for accomplishing service and repair work with tested, effective techniques. Following them will help assure reliability.*

*There are numerous variations in procedures, techniques, tools, and parts for servicing vehicles, as well as in the skill of the individual doing the work. This Manual cannot possibly anticipate all such variations and provide advice or cautions as to each. Accordingly, anyone who departs from the instructions provided in this Manual must first establish that he compromises neither his personal safety nor the vehicle integrity by his choice of methods, tools or parts.*



## 2-1 HOW TO USE THIS MANUAL

The purpose of this manual is to make troubleshooting easier by showing the electrical and vacuum circuits of these vehicles in a clear and simple fashion. With each circuit is a description of *How the Circuit Works* and some *Troubleshooting Hints*. A Component Location chart lists components and references to pictures in the manual.

Notes, Cautions and Warnings containing important information appear in boxes on text pages. Notes provide additional information to help complete a particular procedure. Cautions provide information that could prevent making an error that could damage the vehicle. Warnings provide information to prevent personal injury. The warnings list on the following page contains general warnings to follow when working on a vehicle.

Components which work together are shown together. For example, all electrical components used in any circuit are shown on one diagram. The circuit breaker or fuse is shown at the top of the page. All wires, connectors, splices, switches, and motors are shown in the flow of current to ground at the bottom of the page. Notes are included which describe how switches and other components work. If a component is used in several different circuits, it is shown in several places.

For example, the Main Light Switch is an electrical part of many circuits and is repeated on many pages. In some cases, however, a component may seem (by its name) to belong on a page where it has no electrical connection. This is because the component is repeated on many pages. In some cases, however, a component may seem (by its name) to belong on a page where it has no electrical connection. This is because the component is repeated on many pages. In some cases, however, a component may seem (by its name) to belong on a page where it has no electrical connection. This is because the component is repeated on many pages.

*Troubleshooting Hints* point the technician in a general direction, but are not intended as a step-by-step procedure. Ignition troubleshooting is an exception to this. It includes a step-by-step procedure of basic quick checks to locate some of the more common Ignition System problems. Reading the shop manual provides more detailed repair procedures.

Connector end views of switches and other components are shown in Cell 149 (beginning on page 149-1) to help with bench testing. The views show the harness wire colors that connect to the mating terminals. Connector colors and locations are shown in the *Location Index* chart. Two-color listings indicate separate colors for each connector half.

A Location Index, in Cell 152 (beginning on page 152-1), identifies individual components, connectors and splices. This index describes the component, connector or splice location and directs you to the component illustrations. In addition, the component base part number has been included for your convenience in ordering parts. A list of harness base numbers, harness names and major systems associated with the respective harness base part number is also included within the Location Index.

The Grounds pages show detailed views of multiple component ground points. This is useful for checking interconnections among the ground circuits of different diagrams.

Component Connectors with 5 or more cavities are shown in Cell 150 (beginning on page 150-1) to help with system troubleshooting. Any component connector with 5-9 cavities will be shown with a connector end

view of the connector. A component with 10 or more connector cavities will have a pinout chart in addition to the connector face. The pinout chart contains information such as cavity number, wire number and color, and circuit function.

On some car lines, resistors and diodes are covered with PVC molds; terminals are also part of the molded assembly. The assembly plugs into a harness connector and is taped to the harness, outside the conduit.

In other cases, the resistor and diode assemblies will be covered with heat-shrinkable tubing, making the assembly small enough to be placed within the harness conduit.

The wiring diagrams show the number of times the resistors and diodes are used. The wiring diagrams also show the distance from connector/length of wire in exact centimeters. Resistors and diodes are identified on the wiring diagrams by the following base part numbers:

Resistor/diode assembly	14A601
Diode only	14A604

We welcome any comments you may have regarding this EVT.M. Use the Feedback Sheet at the back of this manual to submit comments. The information submitted on this sheet will improve future editions.

**100% SATISFACTION GUARANTEED**

**BUY IT NOW!**

**Click Here To Order**

PayPal American Express Discover MasterCard VISA

**100% SATISFACTION GUARANTEED**

**BUY IT NOW!**

**Click Here To Order**

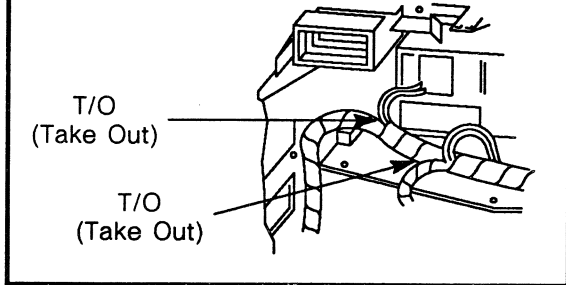
PayPal American Express Cards Discover NOW! MasterCard VISA

# 3-1 HELPFUL REMINDERS

Before using the EVTM for troubleshooting, refer to the HELPFUL REMINDERS described on this page.

1. The abbreviation T/O, for take out, used in the Component Location Chart, refers to the point at which a harness branches to feed a component. Refer to the wiring harness illustration.

Wiring harness at back of Instrument Panel, showing typical T/O (Take Out) locations



2. If a connector serves the same purpose in two separate versions (e.g., EFI/Carb), but is physically different, two connector numbers are used. However, if a connector serves the same purpose in two separate versions (e.g., EFI/Carb) and is physically the same, but the wire colors are different, only *one* connector number is used. If the same physical connector is used more than once, then more than *one* connector number is used.

3. Wiring diagrams provide a schematic picture of how and under what conditions the circuit is powered, of the current path to circuit components, and of how a circuit is grounded. Each circuit component is named (underlined titles). Wire and connector colors are listed (standard Ford color abbreviations are used):

## COLOR ABBREVIATIONS

BL	Blue	N	Natural
BK	Black	O	Orange
BR	Brown	PK	Pink
DB	Dark Blue	P	Purple
DG	Dark Green	R	Red
GR	Green	T	Tan
GY	Gray	W	White
LB	Light Blue	Y	Yellow
LG	Light Green		

Whenever a wire is labeled with two colors, the first color listed is the basic color of the wire, and the second color listed is the stripe marking of the wire.

4. When reporting Vehicle Repair Location Codes to Ford Parts and Service Division, refer to Cell 160 (beginning on page 160-1).

Note: Do *not* use the illustrations in Cell 151 (beginning on page 151-1) for reporting Vehicle Repair Location Codes.

## 5. WARNINGS

- Always wear safety glasses for eye protection.
- Use safety stands whenever a procedure requires being under a vehicle.
- Be sure that the **Ignition Switch** is always in the OFF position, unless otherwise required by the procedure.
- Set the park brake when working on any vehicle. An automatic transmission should be in PARK. A manual transmission should be in NEUTRAL.
- Operate the engine only in a well-ventilated area to avoid danger of carbon monoxide.
- Keep away from moving parts when the engine is running, especially the fan and belts.
- To prevent serious burns, avoid contact with hot metal parts such as the radiator, exhaust manifold, tail pipe, catalytic converter and muffler.
- Do not allow flame or sparks near the battery. Gases are always present in and around the battery cell. An explosion could occur.
- Do not smoke.
- To avoid injury, always remove rings, watches, loose hanging jewelry and loose clothing.

**100% SATISFACTION GUARANTEED**

**BUY IT NOW!**

**Click Here To Order**

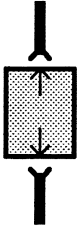
PayPal   American Express   Discover   MasterCard   VISA



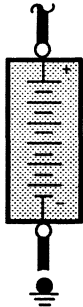
# 4-1 ELECTRICAL SYMBOLS



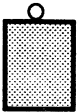
**DASHED COMPONENT BOX**  
 ONLY PART OF THE COMPONENT IS SHOWN ON THE PAGE; THE COMPONENT IS SHOWN COMPLETE IN ANOTHER LOCATION



**COMPONENT WITH CONNECTORS**



**BATTERY**



**SCREW TERMINAL ON COMPONENT**

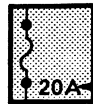
**SOLID STATE**

**SEALED ELECTRONIC COMPONENT**  
 ANY CIRCUITRY SHOWN INSIDE THE BOX IS A FUNCTIONAL EQUIVALENT ONLY

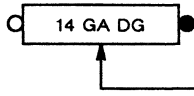
**100% SATISFACTION GUARANTEED**

**BUY IT NOW!**

**Click Here To Order**



**FUSE**  
 CURRENT RATING



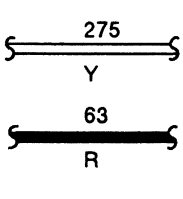
**FUSIBLE LINK**  
 WIRE SIZE AND COLOR



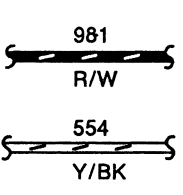
**FUSIBLE LINK CARTRIDGE**  
 CARTRIDGE CURRENT RATING



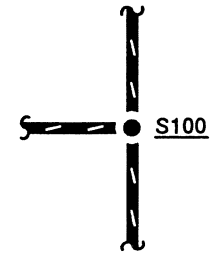
**CIRCUIT BREAKER**  
 CURRENT RATING



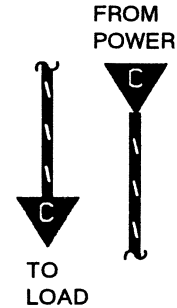
**SOLID WIRES**



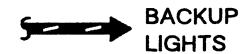
**STRIPED WIRES**



**SPLICE OR CRIMP TERMINAL**

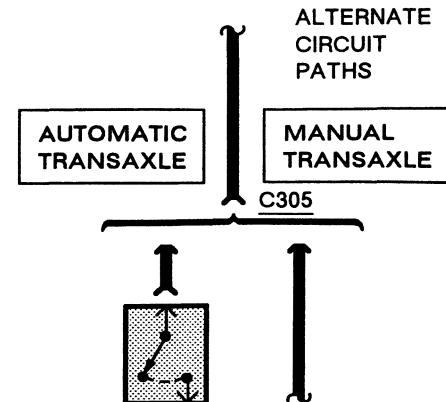


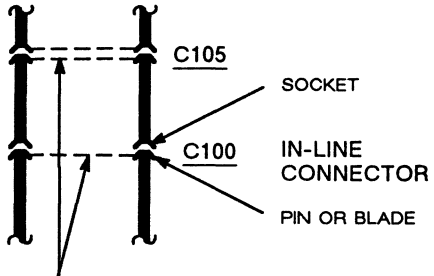
**"CUT" WIRES REFERENCED BETWEEN PAGES**  
 ARROWS SHOW CURRENT FLOW FROM POWER TO GROUND



**BACKUP LIGHTS**

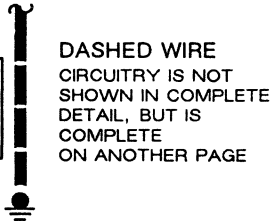
**"REFERENCE" WIRES**  
 COMPLETE WIRING SHOWN ON ANOTHER PAGE



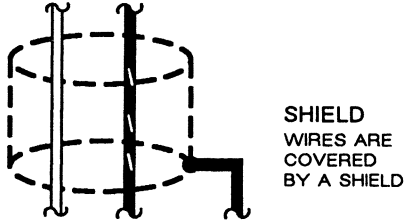


SINGLE OR DOUBLE DASHED LINE INDICATES THAT WIRE ON LEFT ALSO PASSES THROUGH THE SAME CONNECTOR

**SEE GROUNDS**  
PAGES 10-1,  
10-2



DASHED WIRE CIRCUITRY IS NOT SHOWN IN COMPLETE DETAIL, BUT IS COMPLETE ON ANOTHER PAGE



SHIELD WIRES ARE COVERED BY A SHIELD

FIELD COIL

**100% SATISFACTION GUARANTEED**

**BUY IT NOW!**

**Click Here To Order**



MOTOR



HEATING ELEMENT



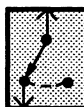
THERMISTOR



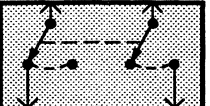
RHEOSTAT OR POTENTIOMETER



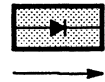
SOLENOID



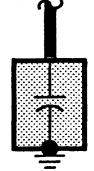
SWITCH



GANGED SWITCHES CONTACTS MOVE AT THE SAME TIME



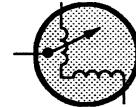
DIODES CURRENT FLOWS IN DIRECTION OF ARROW ONLY



CAPACITOR



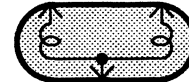
TRANSISTOR



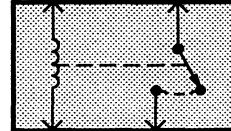
GAUGE



LIGHT BULB



DUAL FILAMENT LIGHT BULB



RELAY CONTACTS CHANGE POSITION WITH CURRENT THROUGH COIL

# 5-1 HOW TO FIND THE ELECTRICAL CONCERN

## TROUBLESHOOTING STEPS

These six steps present an orderly method of troubleshooting.

### Step 1. Verify the concern.

- Operate the complete system to check the accuracy and completeness of the customer's complaint.

### Step 2. Narrow the concern.

- Using the EVTM, narrow down the possible causes and locations of the concern to pinpoint the exact cause.
- Read the description of *How the Circuit Works* and study the wiring diagram. You should then know enough about the circuit operation to determine where to check for the trouble. Further information can be found in the shop manual pages listed after *How the Circuit Works*.

### Step 3. Test the cause.

- Use electrical test procedures to find the specific cause of the symptoms.
- *Troubleshooting Hints* will give you helpful ideas.
- The *Component Location Charts* and the pictures will help you find components. Following each chart, there is a reference to the Location Index at the end of the manual. This index gives component location information for connectors, diodes, resistors, splices and grounds.

### Step 4. Verify the cause.

- Confirm that you have found the correct cause by connecting jumper wires and/or

### Step 5. Make the repair.

- Repair or replace the inoperative component.

### Step 6. Verify the repair.

- Operate the system as in Step 1 and check that your repair has removed all symptoms without creating any new symptoms.

Some engine circuits may need special test equipment and special procedures. See the *shop manual* and other service books for details. You will find these circuits in this manual to be helpful with these special tests.

## TROUBLESHOOTING TOOLS

### JUMPER WIRE

This is a test lead used to connect two points of a circuit. A Jumper Wire can complete a circuit, bypassing an open.

### WARNING

Never use a jumper wire across loads (motors, etc.) connected between hot and ground. This direct battery short may cause injury or fire.

### VOLTMETER

A DC Voltmeter measures circuit voltage. Connect negative (- or black) lead to ground, and positive (+ or red) lead to voltage measuring point.

### OHMMETER

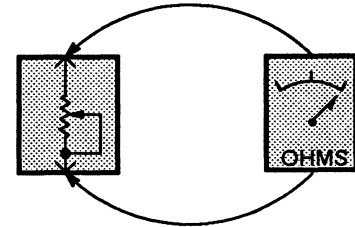


Figure 1-Resistance Check

An Ohmmeter shows the resistance between two connected points (Figure 1).

### TEST LAMP

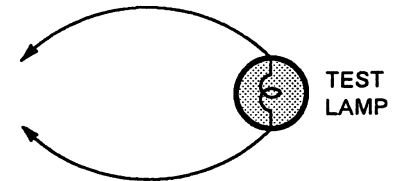


Figure 2-Test Lamp

A Test Light is a 12-volt bulb with two test leads (Figure 2).

Uses: Voltage Check, Short Check.

**100% SATISFACTION GUARANTEED**

**BUY IT NOW!**

**Click Here To Order**

PayPal    American Express    Discover    MasterCard    VISA

## SELF-POWERED TEST LAMP

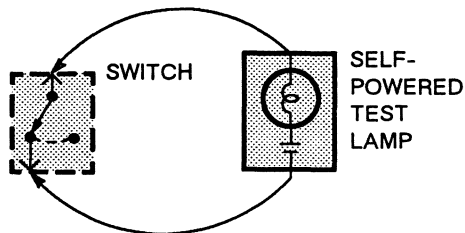


Figure 3—Continuity Check

The Self-Powered Test Lamp is a bulb, battery and set of test leads wired in series (Figure 3). When connected to two points of a continuous circuit, the bulb glows.

**Uses:** Continuity Check, Ground Check.

### CAUTION

When using a self-powered test lamp or ohmmeter, be sure power is off in circuit during testing. Hot circuits can cause equipment damage and false readings.

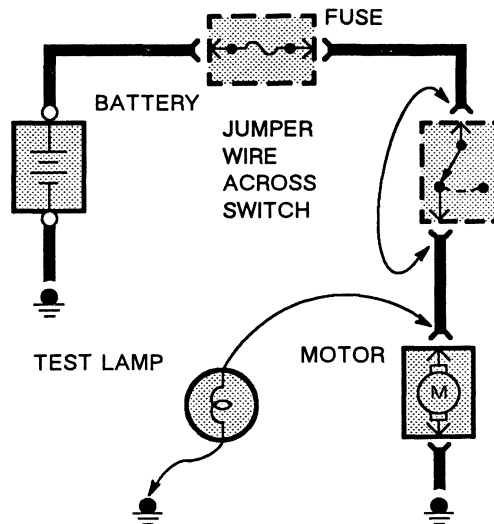


Figure 4—Switch Circuit Check and Voltage Check

In an inoperative circuit with a switch in series with the load, jumper the terminals of the switch to power the load. If jumpering the terminals powers the circuit, the switch is inoperative (Figure 4).

### CONTINUITY CHECK (Locating open circuits)

Connect one lead of Self-Powered Test Lamp or Ohmmeter to each end of circuit (Figure 3). Lamp will glow if circuit is closed. Switches and fuses can be checked in the same way.

### VOLTAGE CHECK

Connect one lead of test lamp to a known good ground or the negative (-) battery terminal. Test for voltage by touching the other lead to the test point. Bulb goes on when the test point has voltage (Figure 4).

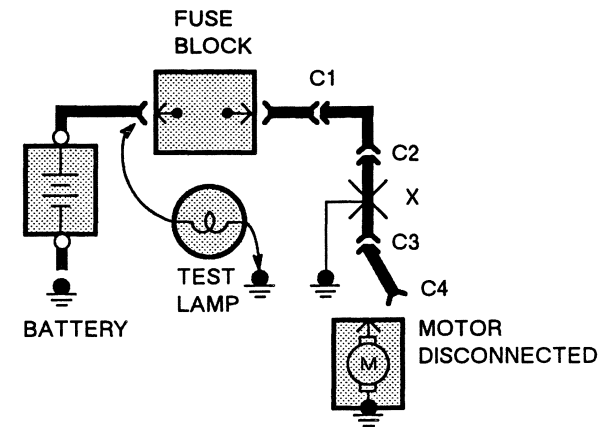


Figure 5—Short Check

A fuse that repeatedly blows is usually caused by a short to ground. It's important to be able to locate such a short quickly (Figure 5).

1. Turn off everything powered through the fuse.
2. Disconnect other loads powered through the fuse:
  - Motors: disconnect motor connector (Connector C4 in Figure 5).
  - Lights: remove bulbs.
3. Turn Ignition Switch to RUN (if necessary) to power fuse.
4. Connect one Test Lamp lead to hot end of blown fuse. Connect other lead to ground. Bulb should glow, showing power to fuse. (This step is just a check to be sure you have power to the circuit.)

**100% SATISFACTION GUARANTEED**

**BUY IT NOW!**

**Click Here To Order**

PayPal, American Express, Discover, MasterCard, VISA

## 5-3 HOW TO FIND THE ELECTRICAL CONCERN

5. Disconnect the test lamp lead that is connected to ground, and reconnect it to the load side of the fuse at the connector of the disconnected component. (In Figure 5, connect the test lamp lead to connector C4.)
- If the Test Lamp is off, the short is in the disconnected component.
  - If the Test Lamp goes on, the short is in the wiring. You must find the short by disconnecting the circuit connectors, one at a time, until the Test Lamp goes out. For example, in figure 5 with a ground at X, the bulb stays on when C1 or C2 is disconnected, but goes out after disconnecting C3. This means the short is between C2 and C3.

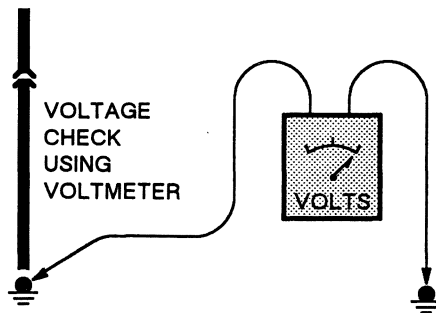


Figure 6—Ground Check

Turn on power to the circuit. Perform a Voltage Check between the suspected inoperative ground and the frame. Any indicated voltage means that the ground is inoperative.

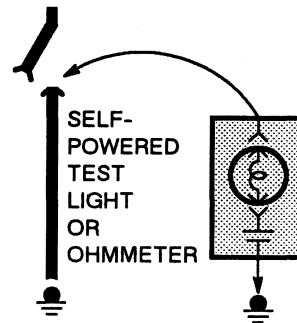


Figure 7—Ground Check

Turn off power to the circuit. Connect one lead of a Self-Powered Test Lamp or Ohmmeter to the wire in question and the other lead to a known ground. If the bulb glows, the circuit ground is OK (Figure 7).

### TROUBLESHOOTING HINTS

The circuit schematics in this manual make it easy to identify common points in circuits. This knowledge can help narrow the concern to a specific area. For example, if several circuits fail at the same time, check for a common power or ground connection (See *Power Distribution* or *Grounds*). If part of a circuit fails, check the connections between the part that works and the part that doesn't work.

For example, if lo beam headlamps work, but hi beams and the indicator lamp don't work, then power and ground paths must be good. Since the dimmer switch is the component that switches this power to the high beam lights and indicator, it is most likely the cause of failure.

Troubleshooting Hints unique to a particular circuit are given in a new, three column format. Included in the charts are conditions that may develop, possible causes, and one or more tests that can be done quickly to determine the cause of the condition.

**100% SATISFACTION GUARANTEED**

**BUY IT NOW!**

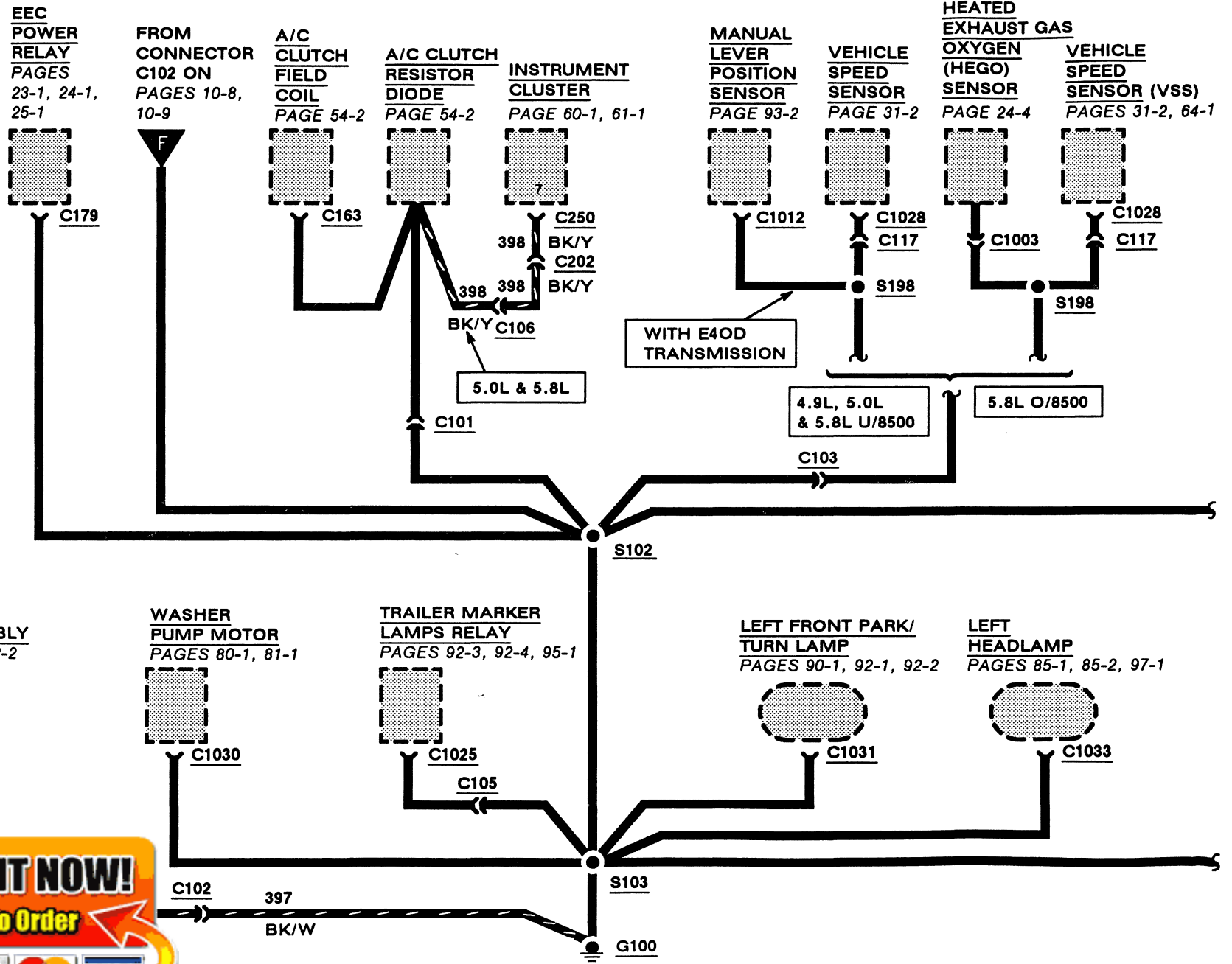
**Click Here To Order**

PayPal American Express Discover PLUS MasterCard VISA



# 10-1 GROUNDS (G100, G101)

4.9L, 5.0L & 5.8L

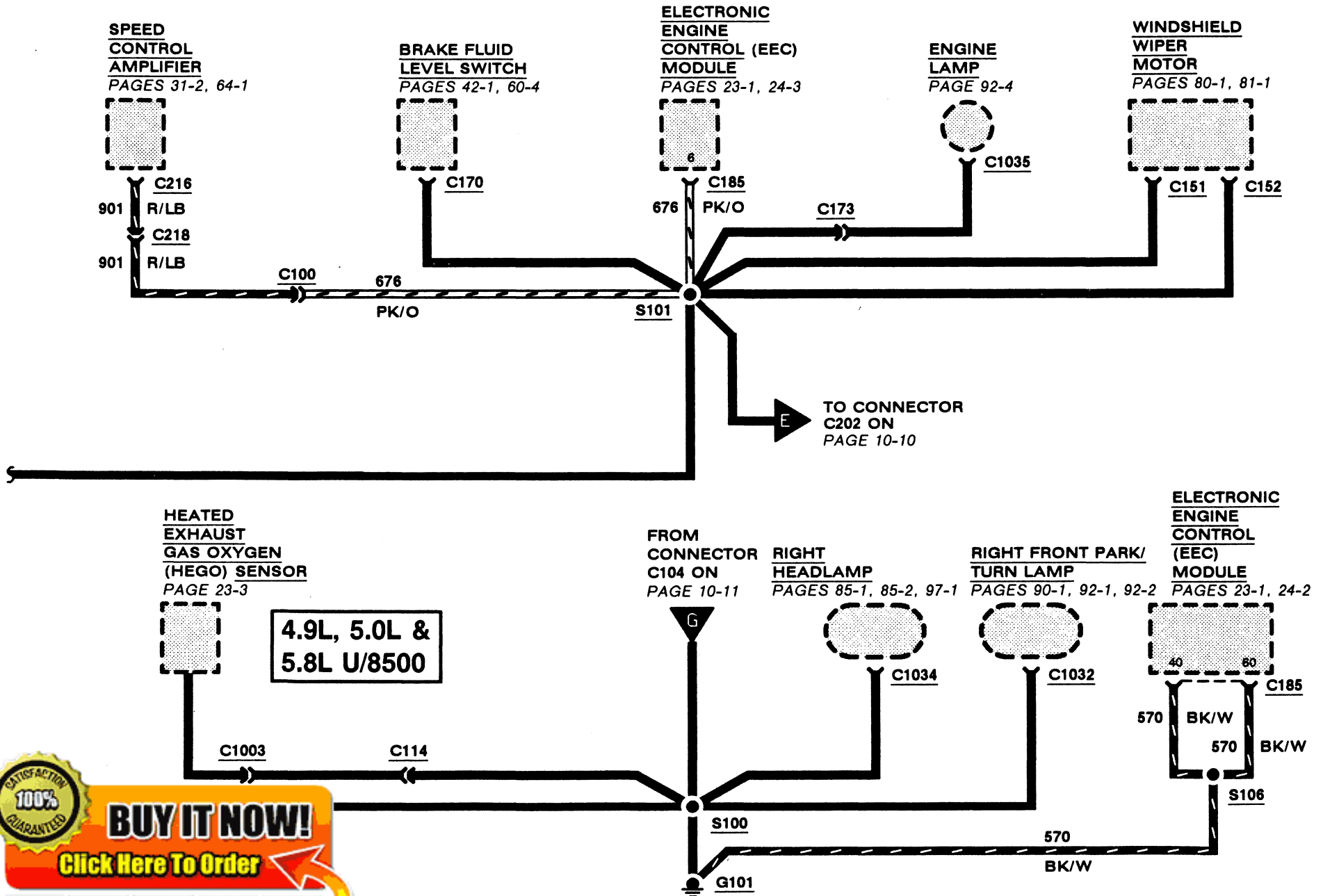


**100% SATISFACTION GUARANTEED**

**BUY IT NOW!**

**Click Here To Order**

# GROUNDS (G100, G101) 10-2



**100% SATISFACTION GUARANTEED**

**BUY IT NOW!**

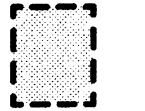
**Click Here To Order**

PayPal  
Credit Cards  
Discover  
MasterCard  
VISA

# 10-3 GROUNDS (G100, G101, G102)

**DIESEL  
(7.3L)**

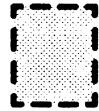
**TRAILER MARKER  
LAMPS RELAY**  
PAGES 92-3, 92-4,  
95-1



C1025

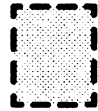
C105

**WASHER  
PUMP  
MOTOR**  
PAGES 80-1, 81-1



C1030

**VEHICLE  
SPEED  
SENSOR (VSS)**  
PAGES 31-2, 64-2



C1028

C117

C103

**TECA  
POWER  
RELAY**  
PAGE 29-1



C1020

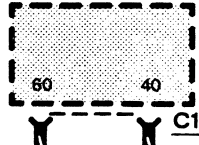
WITH E4OD  
TRANSMISSION

FROM CONNECTOR  
C102 ON  
PAGE 10-7



WITH E4OD  
TRANSMISSION

**TRANSMISSION  
ELECTRONIC  
CONTROL  
ASSEMBLY (TECA)**  
PAGE 29-1



C1027

570

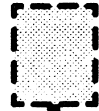
570

BK/W

S106

WITHOUT E4OD  
TRANSMISSION

**RABS  
VALVE  
ASSEMBLY**  
PAGE 42-2



C158

397

BK/W

**LEFT FRONT  
PARK/TURN  
LAMP**  
PAGES 90-1, 92-1



C1031

**LEFT  
HEADLAMP**  
PAGES 85-1, 85-2, 97-1



C1033

S102

S103

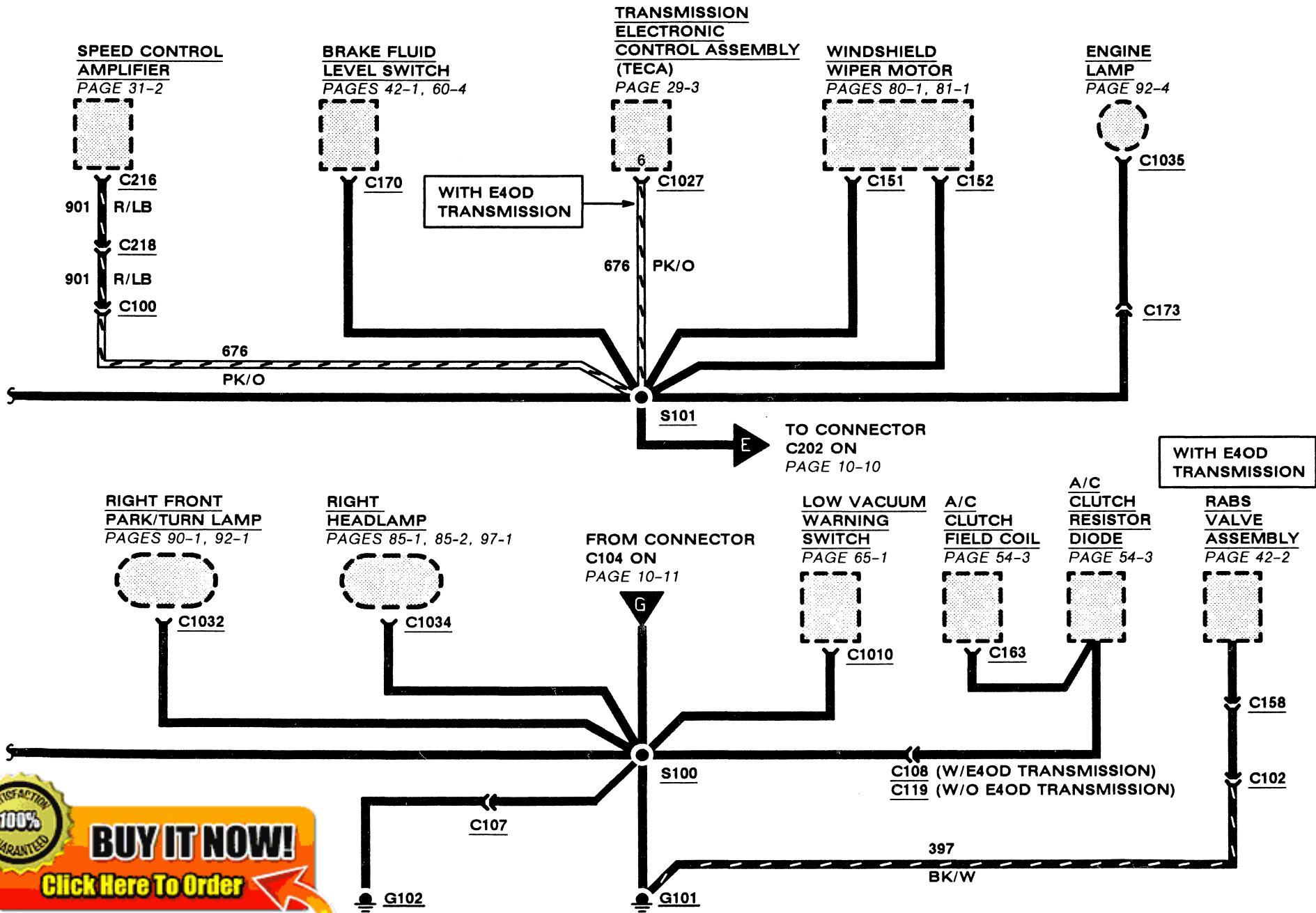
G100

**100% SATISFACTION GUARANTEED**

**BUY IT NOW!**

Click Here To Order

# GROUNDS (G100, G101, G102) 10-4



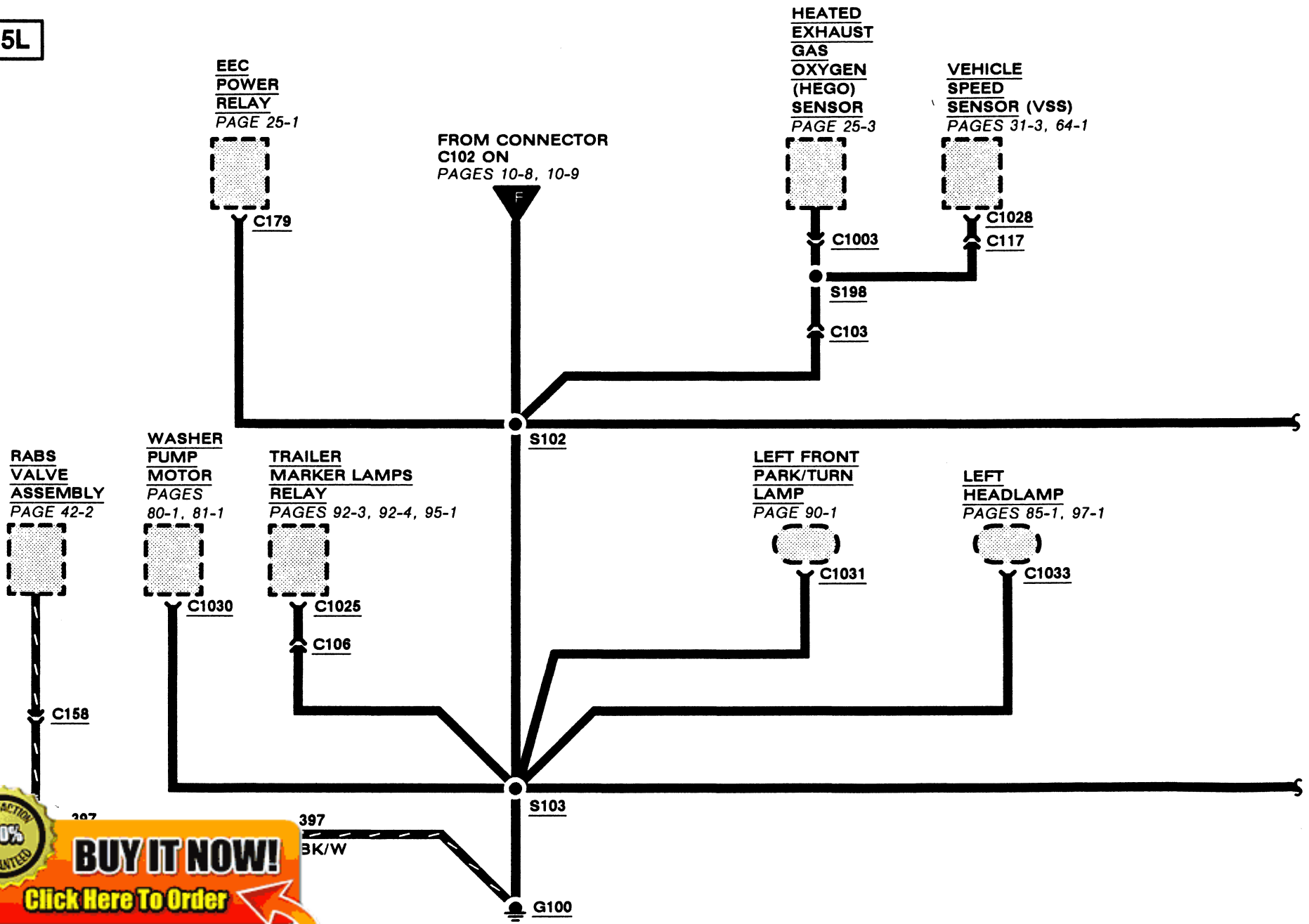
**100% SATISFACTION GUARANTEED**

**BUY IT NOW!**

**Click Here To Order**

# 10-5 GROUNDS (G100, G101)

7.5L



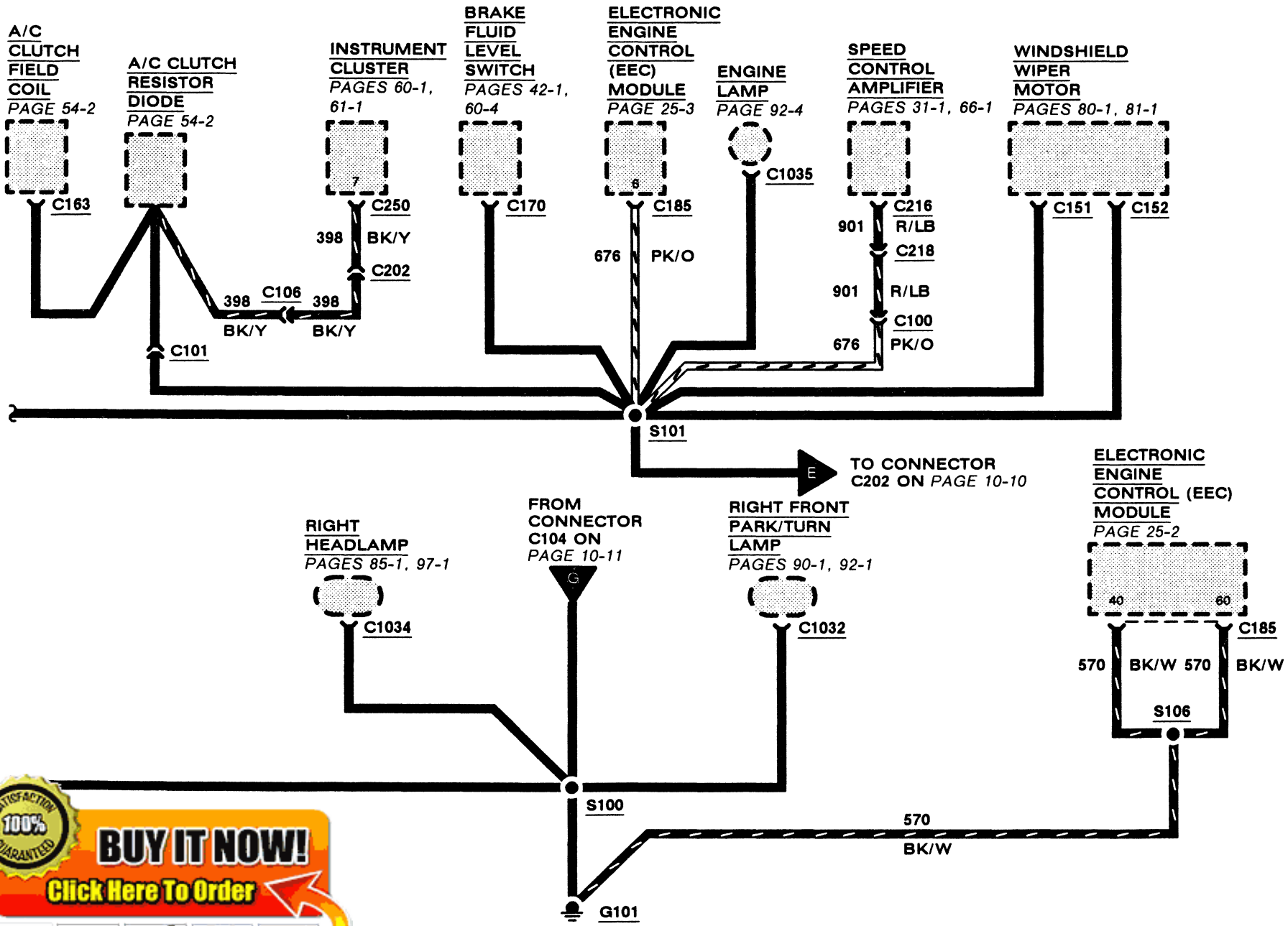
**100% SATISFACTION GUARANTEED**

**BUY IT NOW!**

**Click Here To Order**

397

7.5L



**100% SATISFACTION GUARANTEED**

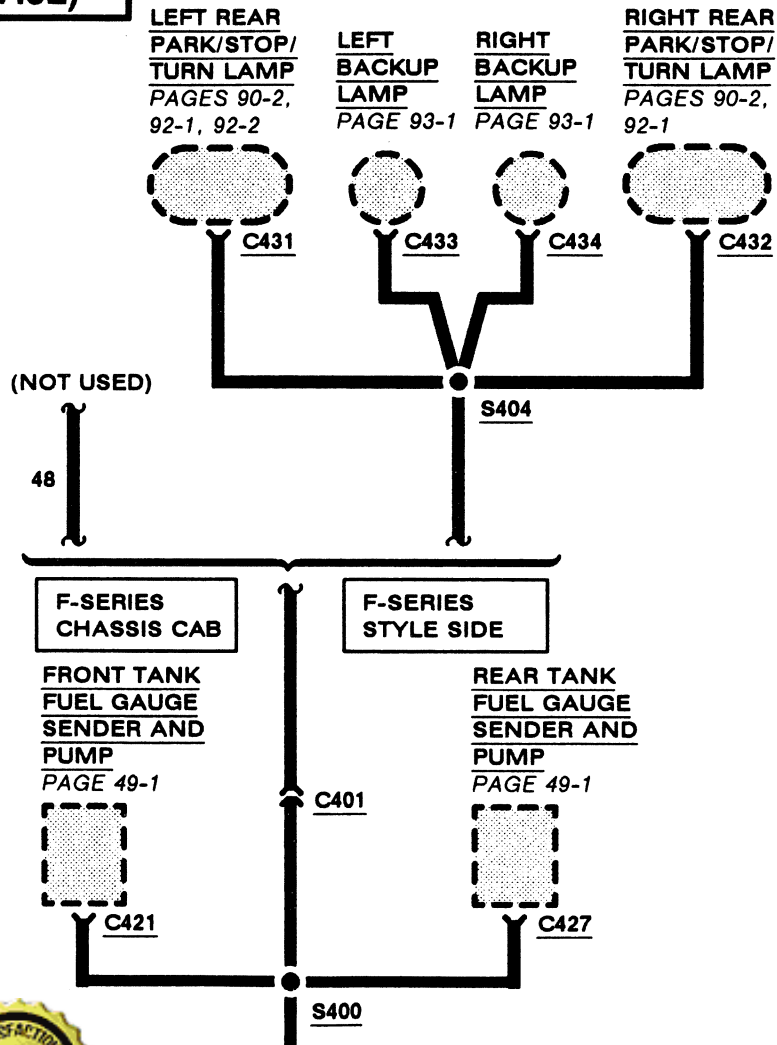
**BUY IT NOW!**

[Click Here To Order](#)

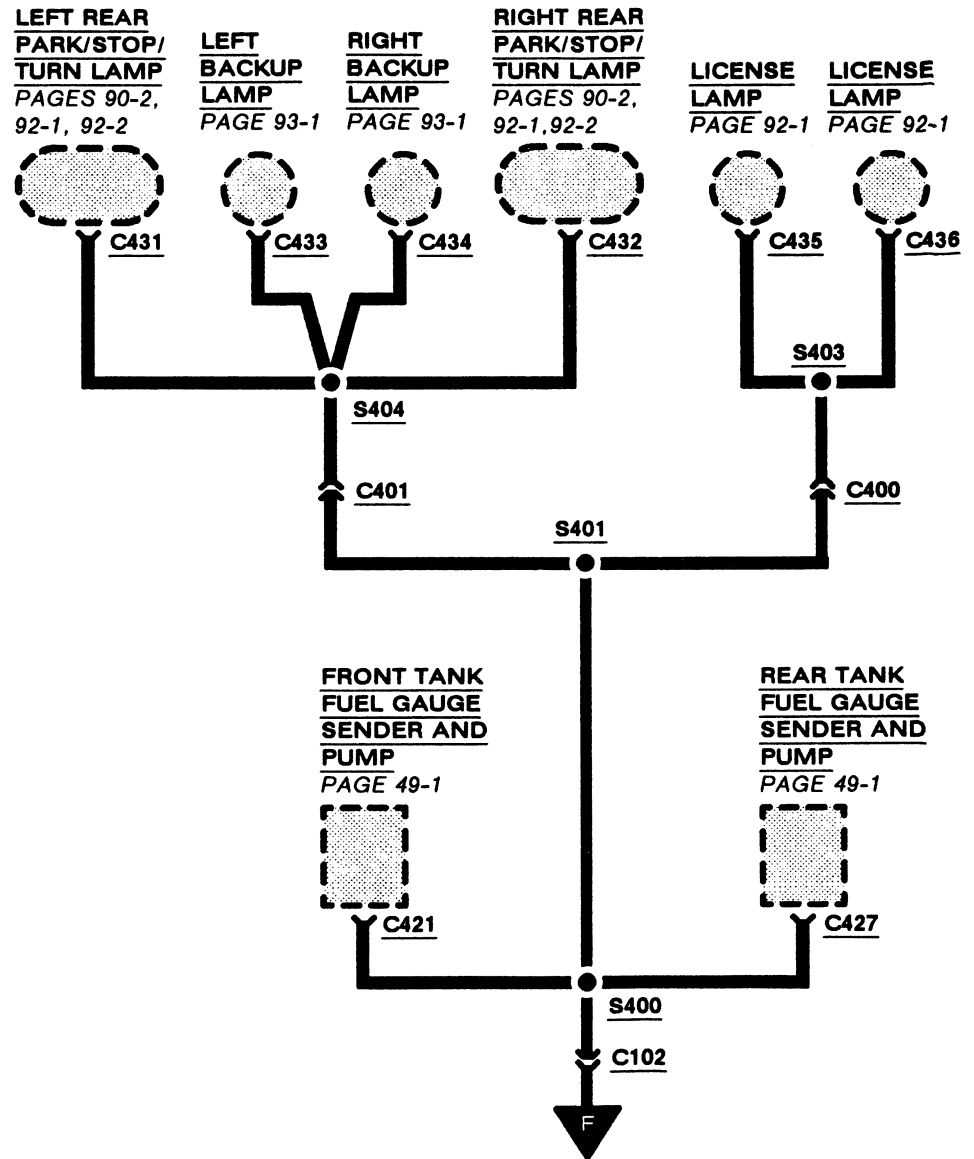
# 10-7 GROUNDS

**DIESEL  
(7.3L)**

**137" + 161" W.B.**



**133" + 155" W.B.**



TO SPLICE S102  
ON PAGE 10-3

**100% SATISFACTION GUARANTEED**

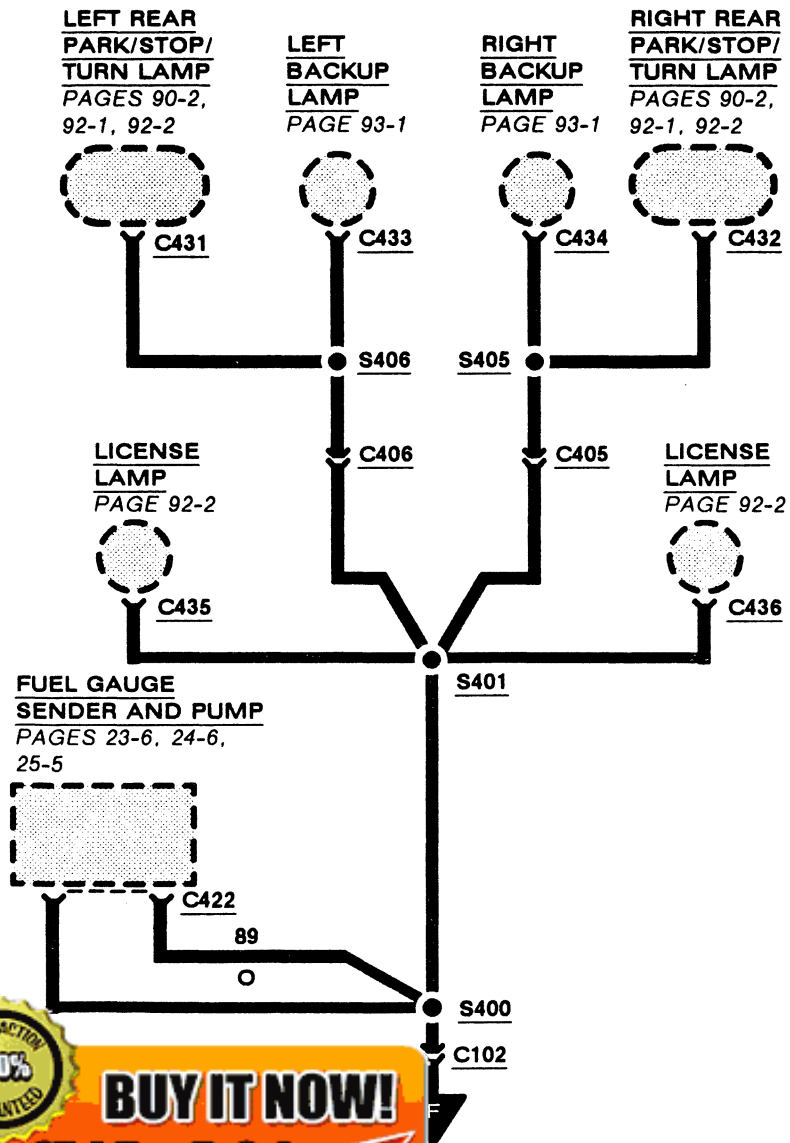
**BUY IT NOW!**

**Click Here To Order**

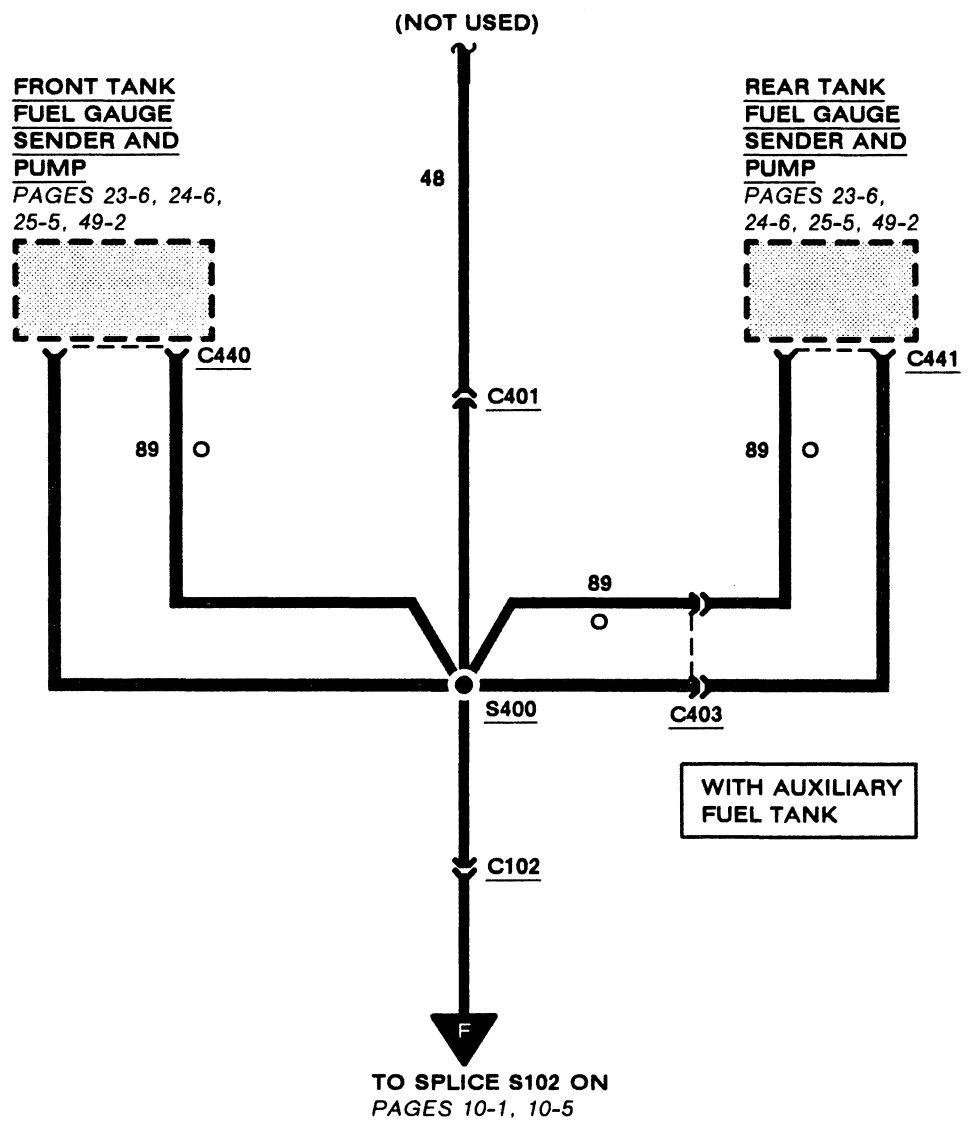
ON PAGE 10-3

PayPal, American Express, Discover, MasterCard, VISA

## BRONCO



## F-SERIES CHASSIS CAB



**100% SATISFACTION GUARANTEED**

**BUY IT NOW!**

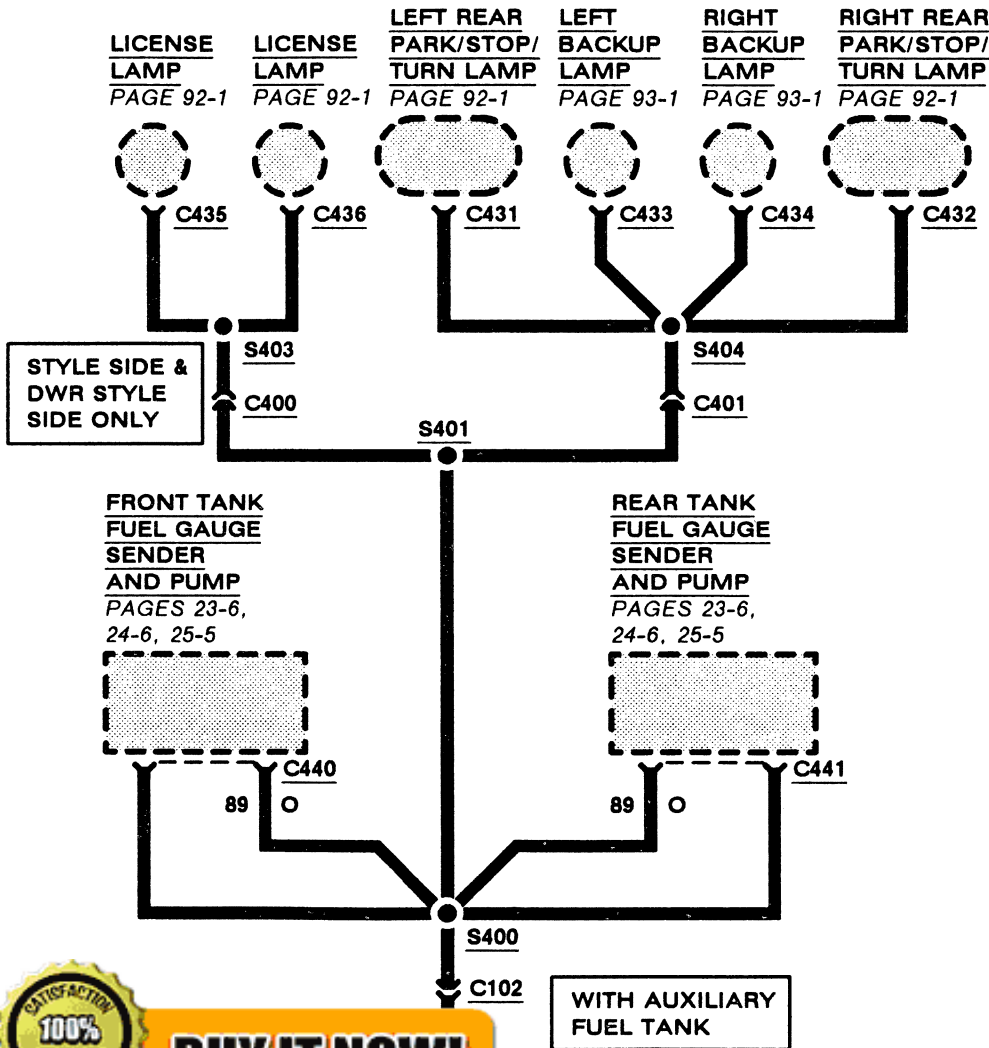
[Click Here To Order](#)

PayPal, American Express, Discover, MasterCard, VISA

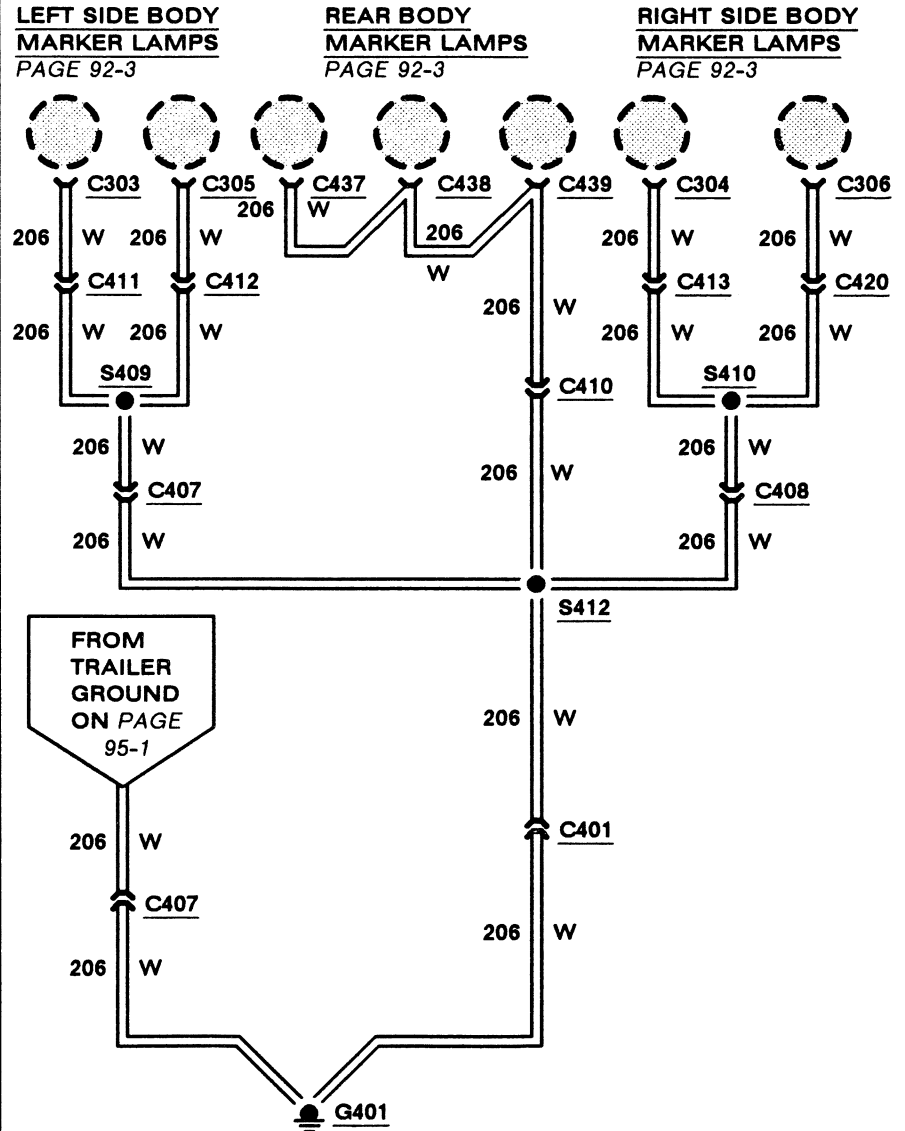
TO SPLICE S102 ON PAGES 10-1, 10-5

# 10-9 GROUNDS (G401)

## F-SERIES, STYLE SIDE & DWR STYLE SIDE



## DRW STYLE SIDE



**100% SATISFACTION GUARANTEED**

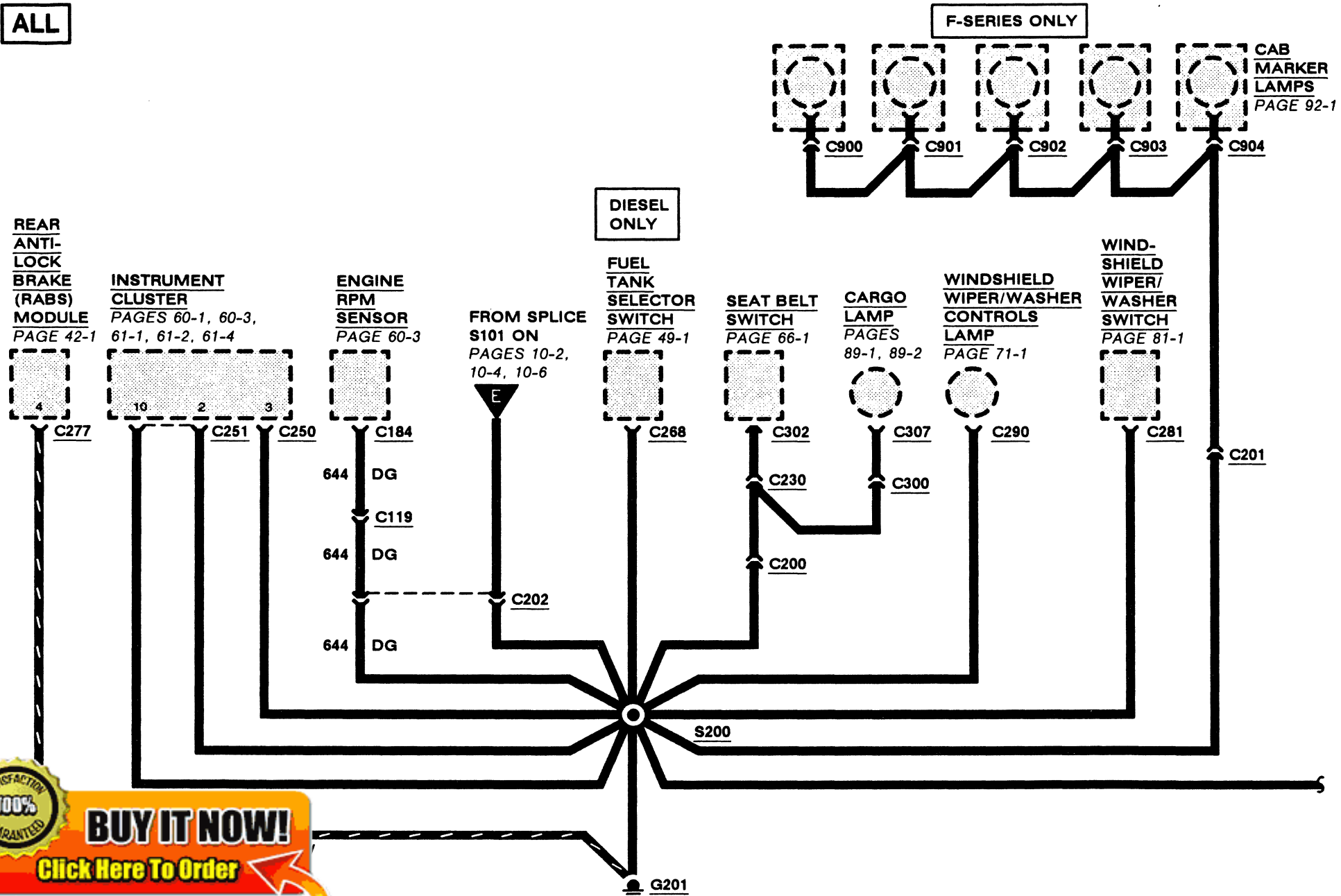
**BUY IT NOW!**

**Click Here To Order**

PayPal, American Express, Discover, MasterCard, VISA

S102  
10-1, 10-5

ALL

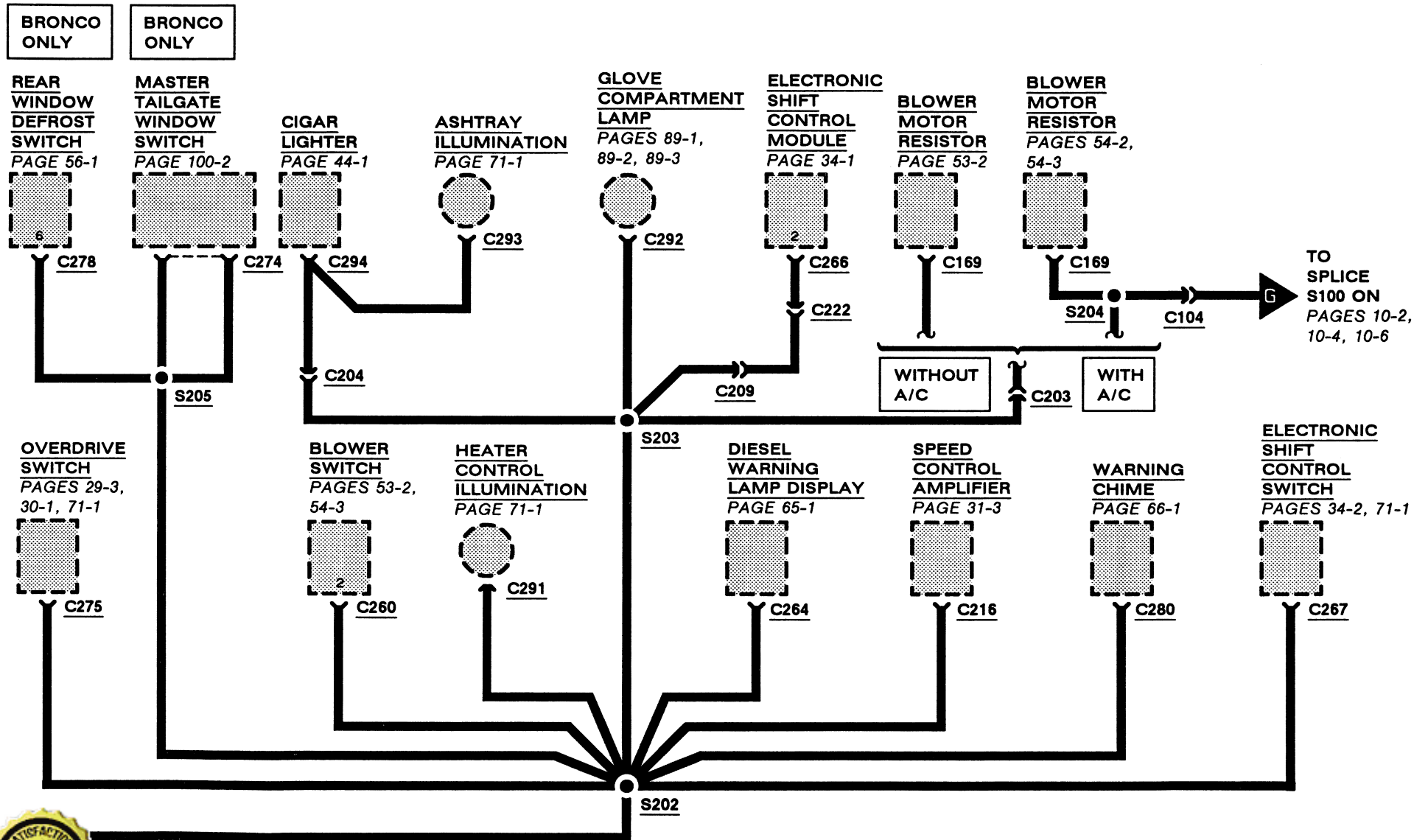


**100% SATISFACTION GUARANTEED**

**BUY IT NOW!**

[Click Here To Order](#)

# 10-11 GROUNDS (G201)



**100% SATISFACTION GUARANTEED**

**BUY IT NOW!**

**Click Here To Order**

## HOW THE CIRCUIT WORKS

The ground circuits shown here are complete and connect several components together to screw terminal ground points. Parts of these circuits may be shown on other pages throughout the book. Partial ground circuits are shown dashed on those pages.

All simple or component ground circuits are shown on the individual circuit pages and are complete on those pages.

All wires are 57 BK unless otherwise noted.

**Refer to Location Index, Cell 152, for Base Part Number information and Connector, Splice, Ground, Resistor and Diode locations.**



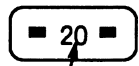
# 11-1 CIRCUIT PROTECTION/FUSE PANEL

## CIRCUIT PROTECTION DEVICES

Electrical circuits on this vehicle may be protected by fuses, fusible links, fusible link cartridges, circuit breakers, or a combination of these devices.

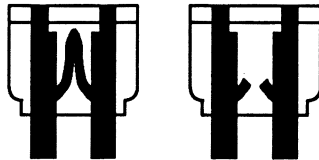
### BLADE TYPE FUSE

TOP VIEW



AMPERE RATING

SIDE VIEW



GOOD FUSE

BLOWN FUSE

Blade type fuses have a transparent plastic housing. To check a fuse, pull it from the fuse panel and look at the fuse element through the housing. Always replace a blown fuse with a new fuse that has the same ampere rating.

The ampere rating of a blade type fuse can also be determined by following the color code shown here:

BLADE FUSE COLOR CODING	
AMPERE RATING	HOUSING COLOR
4	Pink
5	Tan
10	Red

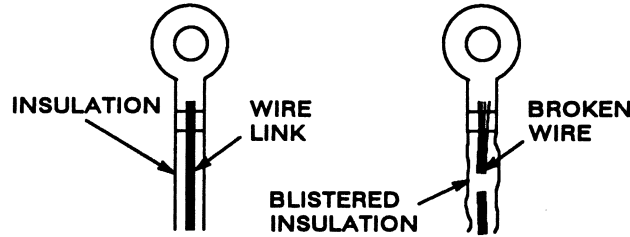
**100% SATISFACTION GUARANTEED**

**BUY IT NOW!**

**Click Here To Order**

### FUSIBLE LINK

CUT-AWAY VIEW



GOOD LINK

BLOWN LINK

Fusible links are short lengths of wire that are smaller in diameter than the wires they are protecting. Fusible link wire is covered with a special thick, non-flammable insulation. An overload condition causes the insulation to blister. If the overload condition continues, the wire link will melt. To check a fusible link, look for blistered insulation. If the insulation is okay, pull lightly on the wire; if the fusible link stretches, the wire has melted.

When replacing fusible links, first cut the protected wire where it is connected to the fusible link. Then, tightly crimp or solder the new link to the protected wire.

Fusible links are often identified by color coding of the insulation, as shown here:

FUSIBLE LINK COLOR CODING	
WIRE LINK SIZE	INSULATION COLOR
20 GA	Blue
18 GA	Brown or Red
16 GA	Black or Orange
14 GA	Green
12 GA	Gray

### FUSIBLE LINK CARTRIDGE

SIDE VIEW

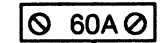


GOOD



BLOWN

TOP VIEW



AMPERE RATING

Fusible link cartridges have a transparent colored plastic housing. To check a fusible link cartridge, look at the fuse element through the side of the housing.

To replace a fusible link cartridge, pull it from the fuse box or panel. Always replace a blown fusible link cartridge with a new one having the same ampere rating.

The ampere rating of a fusible link cartridge can also be determined by following the color code shown here:

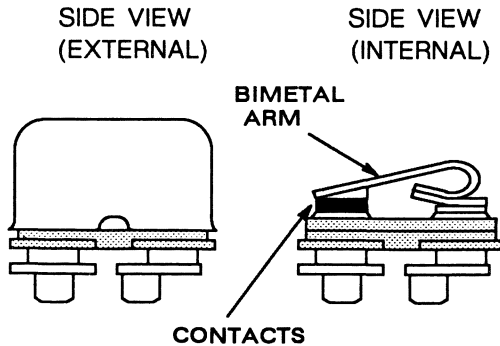
FUSIBLE LINK CARTRIDGE COLOR CODING	
AMPERE RATING	HOUSING COLOR
30	Light Green
40	Amber
50	Red
60	Blue

## CIRCUIT BREAKER

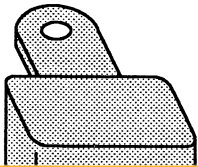
Some circuits are protected by circuit breakers (abbreviated "c. b." in fuse chart). They can be Fuse Panel mounted or in-line. Like fuses, they are rated in amperes.

Each circuit breaker conducts current through an arm made of two types of metal bonded together (bimetal arm). If the arm starts to carry too much current, it heats up. As one metal expands faster than the other the arm bends, opening the contacts. Current flow is broken. A circuit breaker can be the cycling or non-cycling type.

### FUSE PANEL MOUNTED CYCLING TYPE

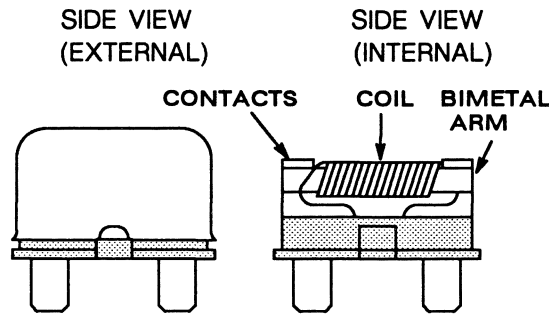


### IN-LINE MOUNTED CYCLING TYPE

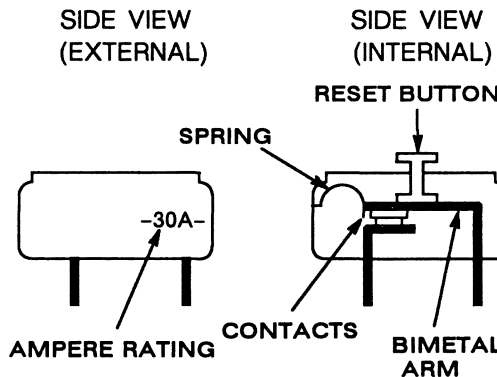


In the cycling type, the bimetal arm cools and straightens out. This cycle repeats as long as the overcurrent exists and power is applied.

### FUSE PANEL MOUNTED NON-CYCLING TYPE



### FUSE PANEL MOUNTED MANUAL RESET TYPE



Two types of non-cycling circuit breakers are used; one is reset by removing power from the circuit, and the other is reset by depressing a reset button.

In the first type, there is a coil wrapped around the bimetal arm. When an overcurrent exists and the contacts open, a small current passes through the coil. This current through the coil is not enough to operate a load, but it does heat up both the coil and the bi-metal arm. This keeps the arm in the open position until power is removed.

In the second type, a spring pushes the bimetal arm down and holds the contacts together. When an overcurrent condition exists and the bimetal arm heats up, the bimetal arm bends enough to overcome the spring and the contacts snap open. The contacts stay open until the reset button is pushed and the contacts snap together again.

## DIODE



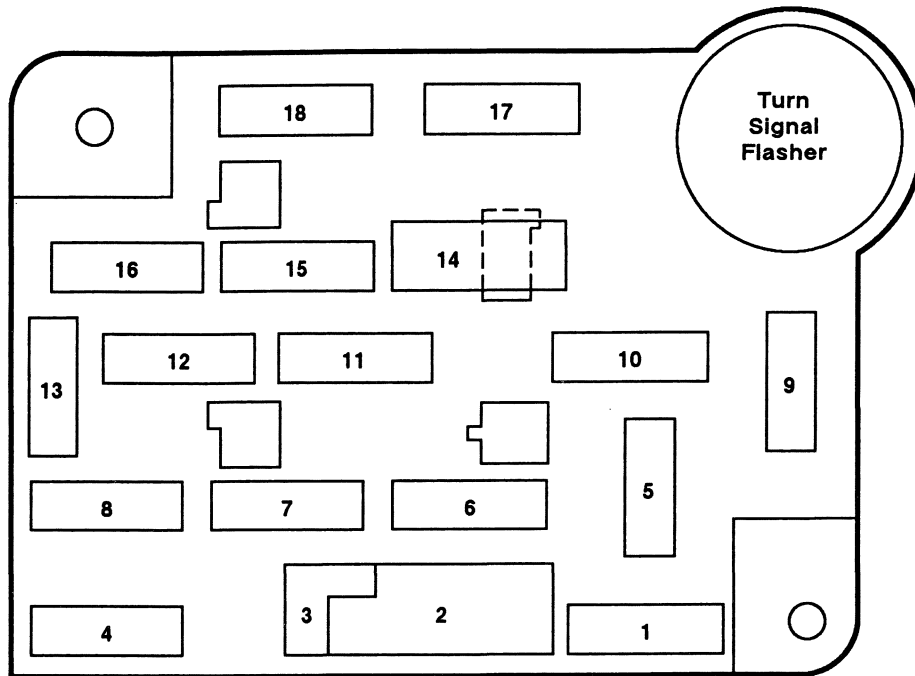
Diodes are electrical devices that permit current to flow in one direction only. The current flows in the direction indicated by the arrow.

**100% SATISFACTION GUARANTEED**

**BUY IT NOW!**

**Click Here To Order**

# 11-3 CIRCUIT PROTECTION/FUSE PANEL



Fuse Position	Amps	Circuits Protected
1	15	Stop and Hazard Lamps, Anti-lock Brakes, Speed Control
2	—	(Not Used)
3	—	(Not Used)
4	15	Exterior Illumination, Instrument Illumination, Radio Clock Illumination
5	15	Turn Lamps, Daytime Running Lamps, Overdrive Switch, Backup Lamps, Hego Sensor and Rear Window Defrost (Bronco Only)
6	15	Speed Control and All Wheel Drive (Bronco Only)
7	—	(Not Used)
8	15	Dome Lamp, Map Lamp, Radio Memory, Cargo Lamps
9	30	A/C-Heater Blower Motor Relay Coil, A/C Clutch
10	5	Instrument Illumination
11	15	Radio and Clock
12	30 c.b.	Power Door Lock, All Wheel Drive, Power Tailgate Window (Bronco Only)
13	—	(Not Used)
14	30 c.b.	Power Windows
15	10	Fuel Tank Selector (Diesel Only)
16	30	Horn, Cigar Lighter and Speed Control
17	20	Anti-lock Brakes
18	15	Instrument Cluster Gauges and Indicators, Warning Chime, Diesel Warning Indicators and IMS/EVL Module

Fuse Value Amps	Color Code
4	Pink
5	Tan
10	Red
15	Light Blue
20	Yellow
25	Natural
30	Light Green

## Power Distribution

The Alternator and Battery are connected together at the Starter Relay hot terminal. Other circuits originate at the Starter Relay hot terminal and are protected by fuse links. Low power circuits are also protected by fuses.

The Ignition Switch and Main Light Switch are powered at all times, as are fuses 1, 4, 8, 12 and 16. The other fuses are powered through the Ignition Switch or the Main Light Switch.

**100% SATISFACTION GUARANTEED**

**BUY IT NOW!**

**Click Here To Order**



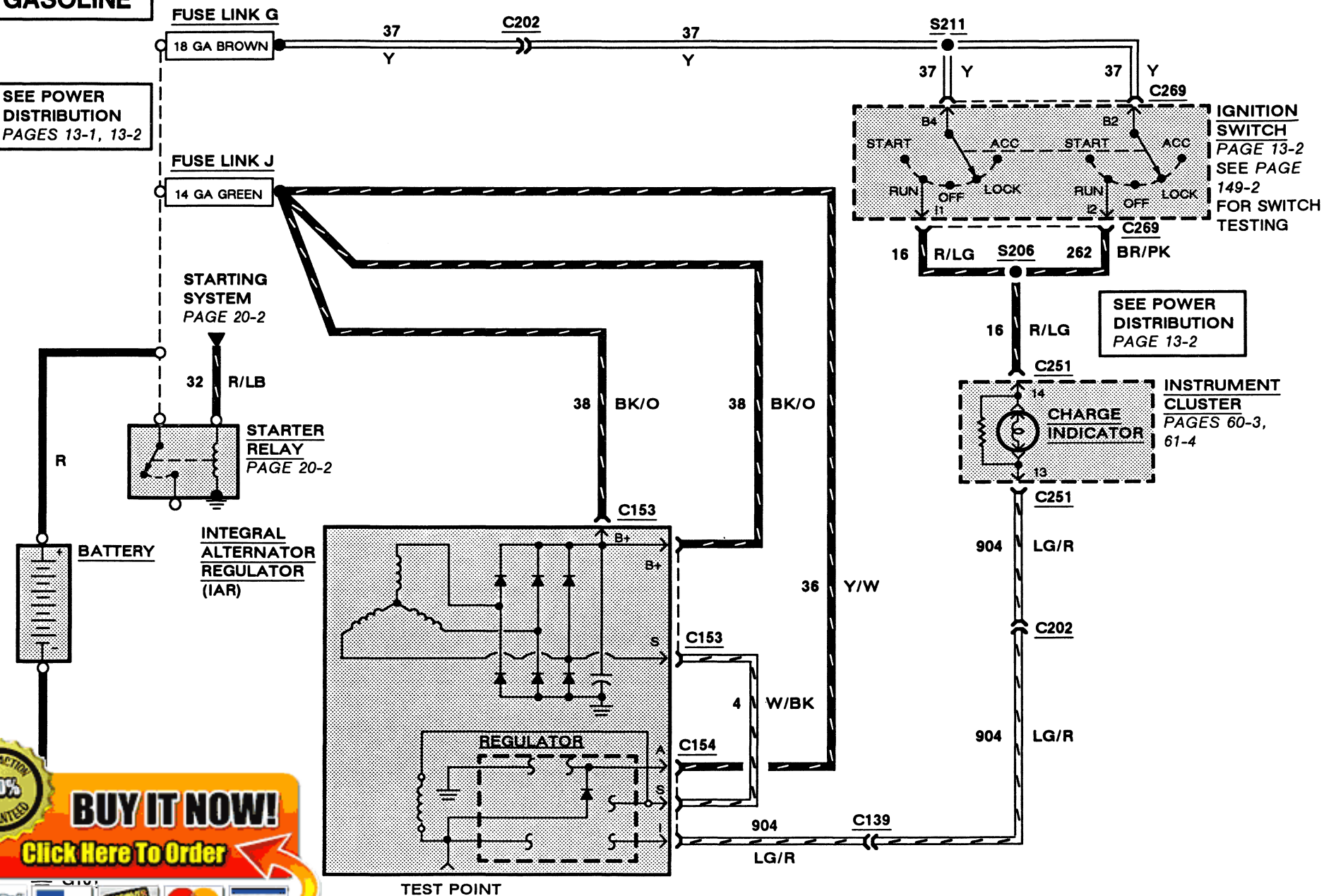
# 12-1 CHARGING SYSTEM

**GASOLINE**

SEE POWER DISTRIBUTION PAGES 13-1, 13-2

SEE POWER DISTRIBUTION PAGE 13-2

INSTRUMENT CLUSTER PAGES 60-3, 61-4



**100% SATISFACTION GUARANTEED**

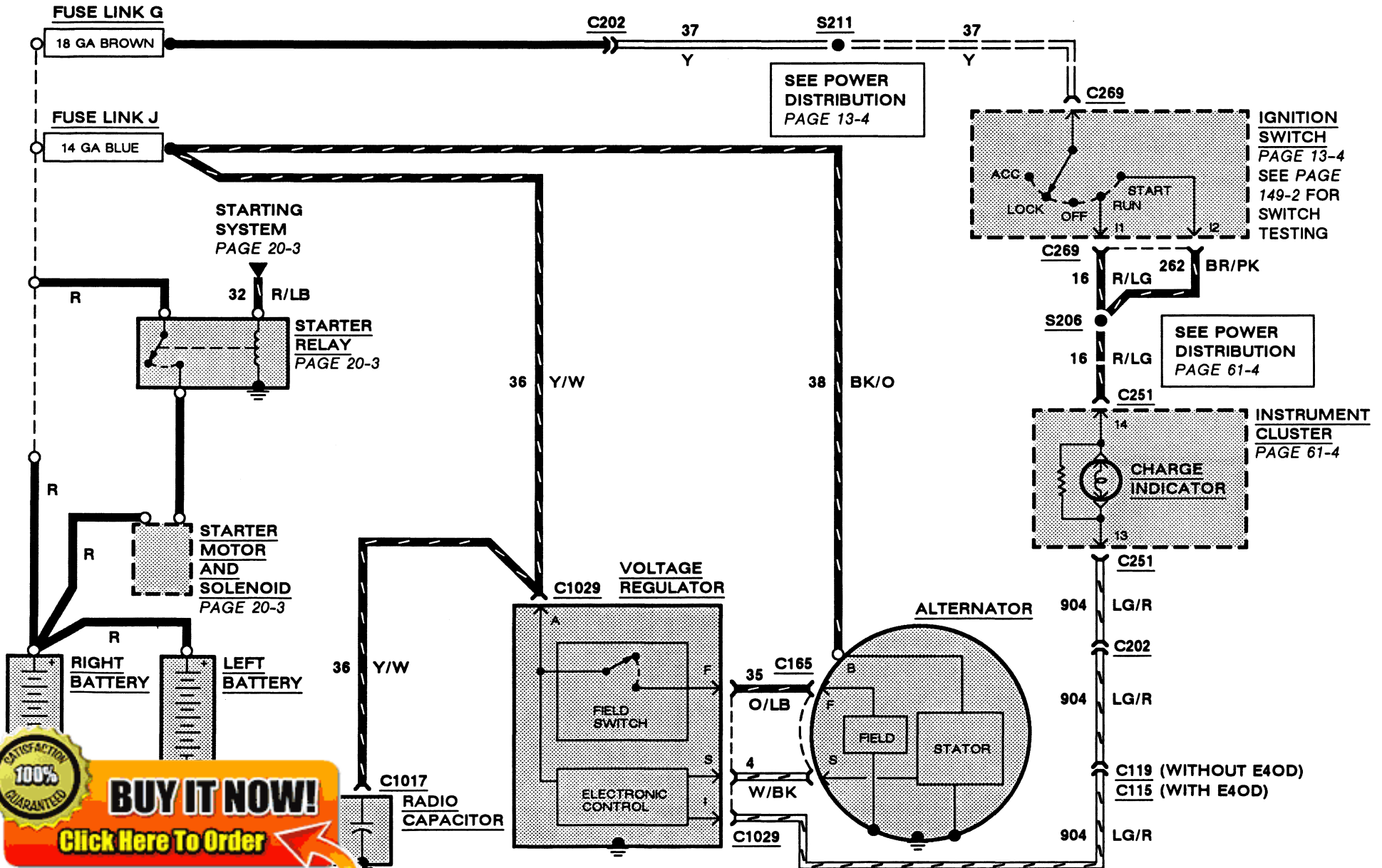
**BUY IT NOW!**

**Click Here To Order**

PayPal, American Express, Discover, MasterCard, VISA

# CHARGING SYSTEM 12-2

**DIESEL**



**100% SATISFACTION GUARANTEED**

**BUY IT NOW!**

[Click Here To Order](#)



# CHARGING SYSTEM 12-4

Component	Connector	Location	Page Zone	Connector Page
A/C Clutch Field Coil (4.9L) . . . . .	C163 . . . . .	LH front of engine . . . . .	151- 2- F6	
A/C Clutch Field Coil (5.0L)(5.8L) . . . . .	C163 . . . . .	LH front of engine . . . . .	151- 3-D10	
A/C Clutch Field Coil (7.3L) . . . . .	C163 . . . . .	LH front of engine . . . . .	151- 5- D9	
A/C Clutch Field Coil (7.5L) . . . . .	C163 . . . . .	Front LH side of engine . . . . .	151- 8- F7	
A/C Clutch Resistor Diode . . . . .		LH side of engine compartment, taped to harness, near C113.	*	
Alternator . . . . .	C165 . . . . .	Top RH front of engine . . . . .	151- 9- D2	
Charge Indicator Lamp Relay . . . . .	C172 . . . . .	On RH fender apron, behind starter relay . . . . .	151- 9- C9	
Fuse Link G . . . . .		Front of RH fender apron, in engine harness . . . . .	151- 6- E1	
Fuse Link J (4.9L) . . . . .		Front of RH fender apron, at starter relay . . . . .	151- 2- D1	
Fuse Link J (5.0L)(5.8L) . . . . .		Front of RH fender apron, at starter relay . . . . .	151- 4- D2	
Fuse Link J (7.3L) . . . . .		Front of RH fender apron, at starter relay . . . . .	151- 6- D1	
Fuse Link J (7.5L) . . . . .		Front of RH fender apron, in engine harness . . . . .	151- 7- D1	
Fuse Link X . . . . .		RH side of engine compartment, near blower motor . . . . .	151- 5- C2	
Fuse Link Z . . . . .		RH side of engine compartment, near blower motor . . . . .	151- 5- C2	
Ignition Switch . . . . .	C269 . . . . .	Top RH side of steering column . . . . .	151- 10- F6 . . . . .	150-10
Instrument Cluster (Diesel Engine) . . . . .	C250, C251 . . . . .	Top LH side of I/P . . . . .	151- 10- A8 . . . . .	150-12
Instrument Cluster (Gasoline Engines) . . . . .	C250, C251 . . . . .	Top LH side of I/P . . . . .	151- 10- A8 . . . . .	150-11
Integral Alternator Regulator (IAR) (4.9L) . . . . .	C153, C154 . . . . .	Front RH side of engine . . . . .	151- 2- D1 . . . . .	150-10
Integral Alternator Regulator (IAR) (5.0L)(5.8L) . . . . .	C153, C154 . . . . .	Front RH side of engine . . . . .	151- 4- F5 . . . . .	150-10
Integral Alternator Regulator (IAR) (7.5L) . . . . .	C153, C154 . . . . .	Front RH side of engine . . . . .	151- 8- D1 . . . . .	150-10
Leece/Neville Alternator . . . . .	C1050, C1051 . . . . .	Front RH side of engine . . . . .	151- 9- D2	
Radio Capacitor (4.9L) . . . . .	C1017 . . . . .	LH side of engine, near ignition coil . . . . .	151- 1- F5	
Starter Motor And Solenoid . . . . .		Lower RH side of engine . . . . .	*	
Starter Relay (4.9L) . . . . .		Front of RH fender apron . . . . .	151- 2- C1	
Starter Relay (5.0L)(5.8L) . . . . .		Front of RH fender apron . . . . .	151- 4- D2	
Starter Relay (7.3L) . . . . .		Front of RH fender apron . . . . .	151- 6- D1	
Starter Relay (7.5L) . . . . .		Front of RH fender apron . . . . .	151- 7- C1	
Starter Relay (7.5L) . . . . .	C1029 . . . . .	RH side of engine compartment, near starter relay . . . . .	151- 9- F5	
Starter Relay (7.5L) . . . . .		RH front of engine, on integral alternator regulator (IAR) . . . . .	151- 2- F4 . . . . .	150-10
Starter Relay (7.5L) . . . . .		RH front of engine, on integral alternator regulator (IAR) . . . . .	151- 4- F4 . . . . .	150-10
Starter Relay (7.5L) . . . . .		RH front of engine, on integral alternator regulator (IAR) . . . . .	151- 8- F5 . . . . .	150-10

**100% SATISFACTION GUARANTEED**

**BUY IT NOW!**

**Click Here To Order**

PayPal American Express Discover MasterCard VISA

# 12-5 CHARGING SYSTEM

Component	Connector	Location	Page Zone	Connector Page
C154 (4.9L) .....		RH front of engine, on integral alternator regulator (IAR) .....	151- 2- F5 .....	150-10
C154 (5.0L) (5.8L) .....		RH front of engine, on integral alternator regulator (IAR) .....	151- 4- F4 .....	150-10
C154 (7.5L) .....		RH front of engine, on integral alternator regulator (IAR) .....	151- 8- F4 .....	150-10
C251 (Diesel Engine) .....		Behind top LH side of I/P, on instrument cluster .....	151- 10- A8 .....	150-12
C251 (Gasoline Engines) .....		Behind top LH side of I/P, on instrument cluster .....	151- 10- A8 .....	150-11

\* No Figure Available

Refer to Location Index, Cell 152, for Base Part Number information and Connector, Splice, Ground, Resistor and Diode locations.

## HOW THE CIRCUIT WORKS

### With Internal Regulator

The Alternator is belt-driven by the engine and generates power to keep the Battery fully charged and to operate electrical systems in the vehicle.

Alternator output is variable and depends on the speed at which the alternator rotor spins, as well as the amount of current passing through the rotor winding. Current flow through the rotor winding is controlled by a regulator that is built into the Alternator.

The Alternator actually generates alternating current, which is passed through a series of rectifier diodes and converted to direct current.

### Without Internal Regulator

The Battery, Alternator and Voltage Regulator make up the Charging System. With the Ignition Switch in RUN, battery voltage is applied through the solid-state electronic control of the Voltage Regulator. The electronic control applies battery voltage to the Alternator field.

With current in the field and the rotor turning, the Alternator stator produces a DC voltage at B+ terminals (to Battery). If the Alternator output voltage is greater than the Battery terminal voltage, current will flow from the Alternator to the Battery, as well as to the vehicle electrical load.

If the Alternator voltage is less than the battery terminal voltage, current will flow from the Battery to supplement the alternator output in supplying the vehicle electrical load.

### Charge Indicator

With the Ignition Switch in START or RUN, battery voltage is present at the Charge Indicator through the METER Fuse.

If the Alternator is not generating power, the Regulator inside the Alternator grounds the Charge Indicator through circuit 904 (LG/R). The Charge Indicator illuminates.

When the Alternator is generating power, the Regulator inside the Alternator applies battery voltage to the Charge Indicator through circuit 904 (LG/R). With battery voltage present at both ends of the Charge Indicator, there is no current flow and the Charge Indicator does not illuminate.

For further diagnostic information, refer to section 31-01 of the shop manual.

**100% SATISFACTION GUARANTEED**

**BUY IT NOW!**

**Click Here To Order**

PayPal American Express Discover MasterCard VISA

## TROUBLESHOOTING HINTS

CONDITION	POSSIBLE CAUSE	ACTION
<ul style="list-style-type: none"> <li>Battery doesn't stay charged.</li> </ul>	<ul style="list-style-type: none"> <li>Open or poor connection at Alternator output.</li> </ul>	<ul style="list-style-type: none"> <li>Check that connectors or terminals on Alternator and Engine Compartment Fuse Box are clean and tight.</li> <li>Check Fuse Link G.</li> </ul>
<ul style="list-style-type: none"> <li>Charge Indicator is always on.</li> </ul>	<ul style="list-style-type: none"> <li>Loose alternator drive belt.</li> <li>Corroded battery terminals.</li> <li>Inoperative Voltage Regulator.</li> </ul>	<ul style="list-style-type: none"> <li>Check alternator drive belt tension.</li> <li>Check that battery post terminals are clean. Check that terminals on battery posts cannot be easily turned by hand.</li> <li>Refer to Section 31-01 of the Shop Manual for alternator testing procedures.</li> </ul>



**BUY IT NOW!**  
Click Here To Order 

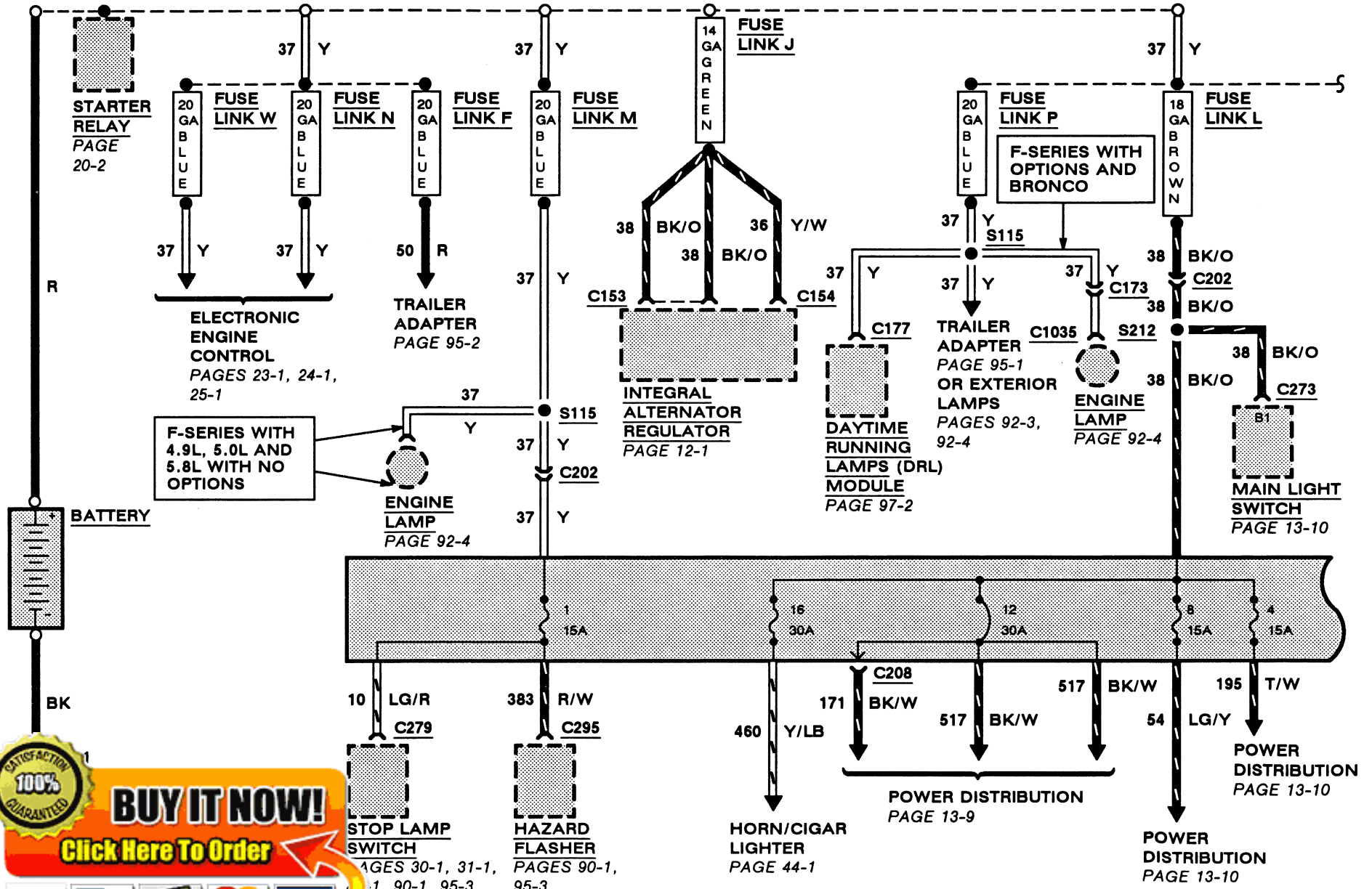






# 13-1 POWER DISTRIBUTION

## GASOLINE



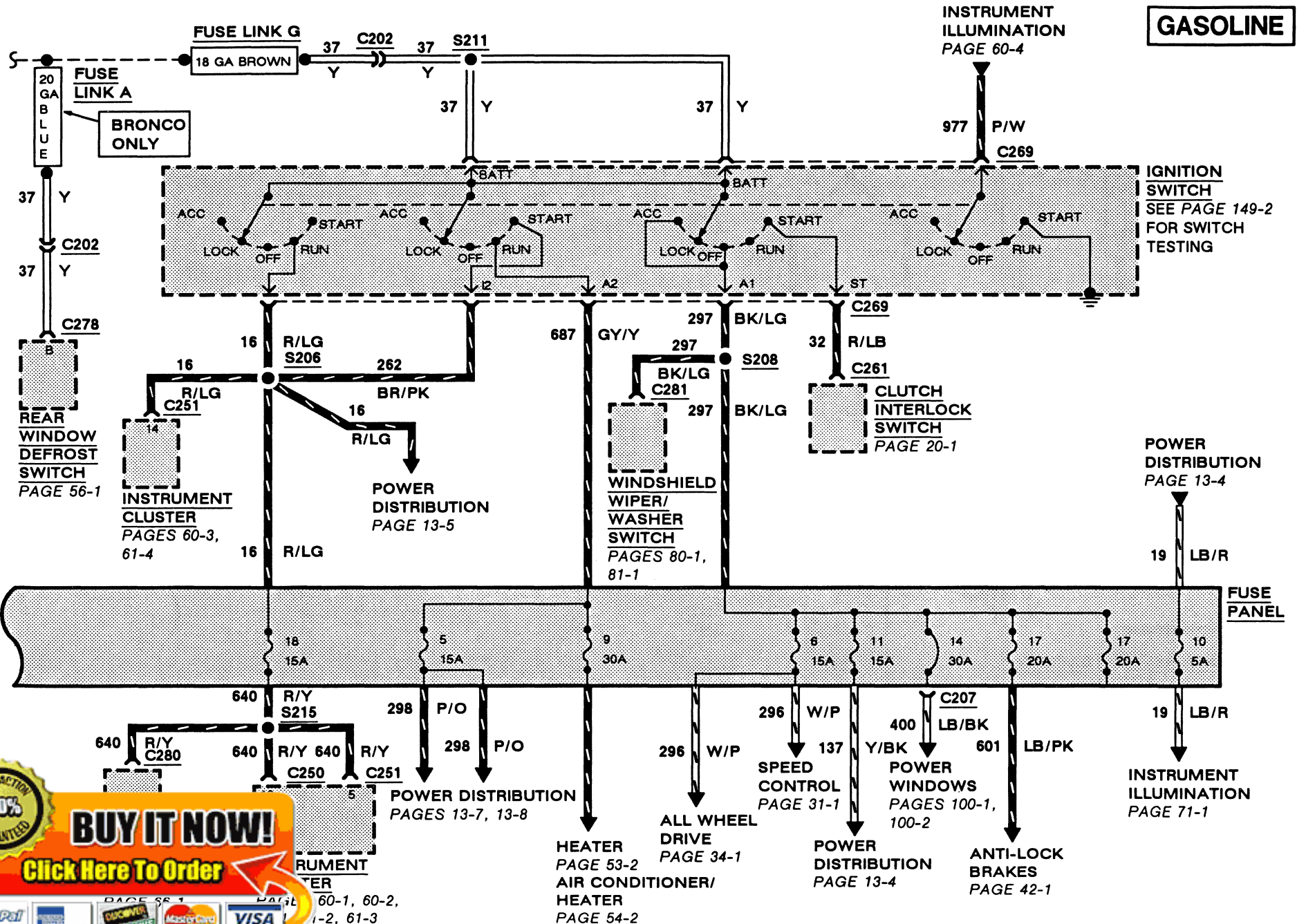
**100% SATISFACTION GUARANTEED**

**BUY IT NOW!**

**Click Here To Order**

PayPal    American Express    Discover    MasterCard    VISA

**GASOLINE**



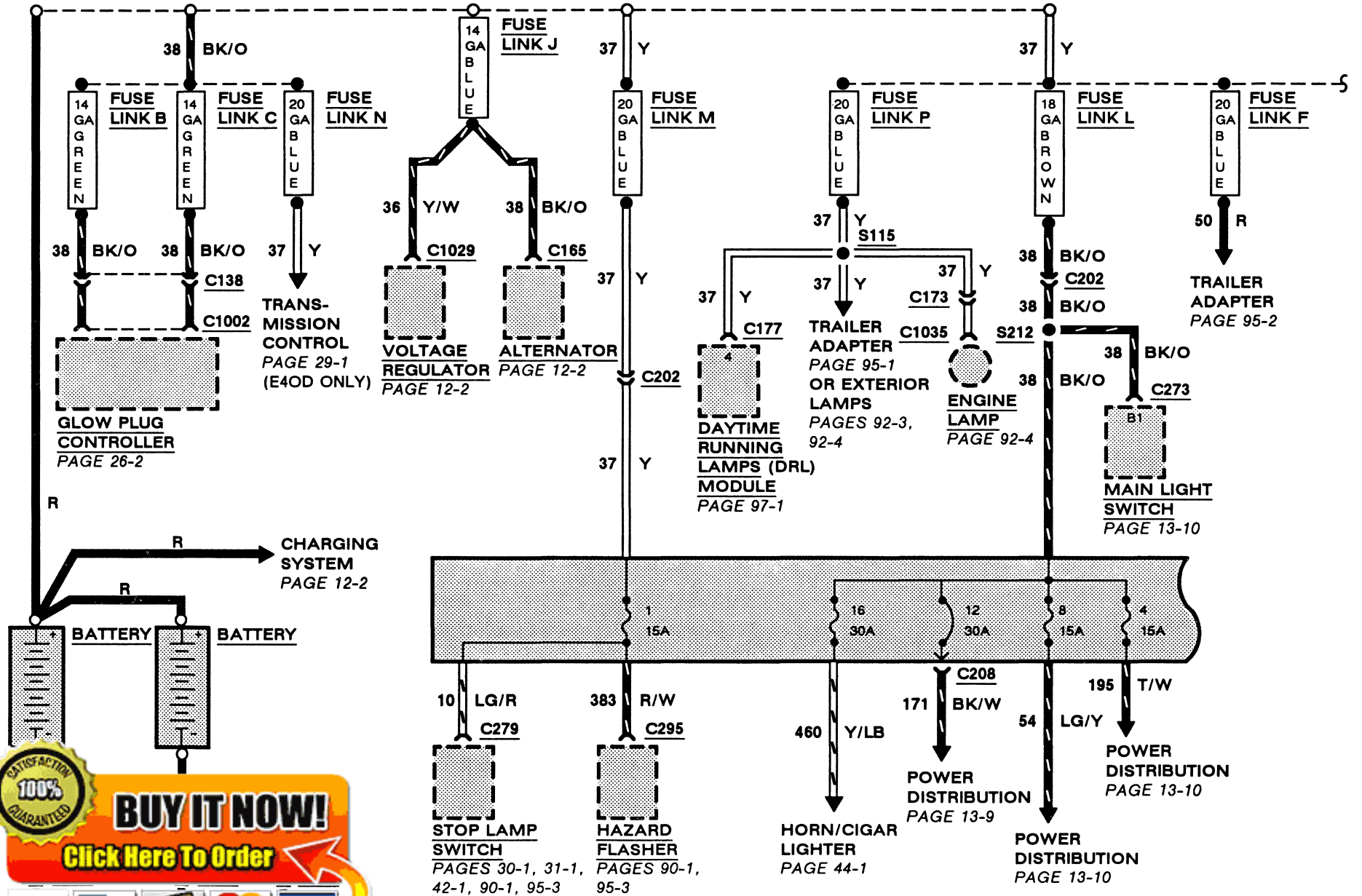
**100% SATISFACTION GUARANTEED**

**BUY IT NOW!**

[Click Here To Order](#)

# 13-3 POWER DISTRIBUTION

**DIESEL**

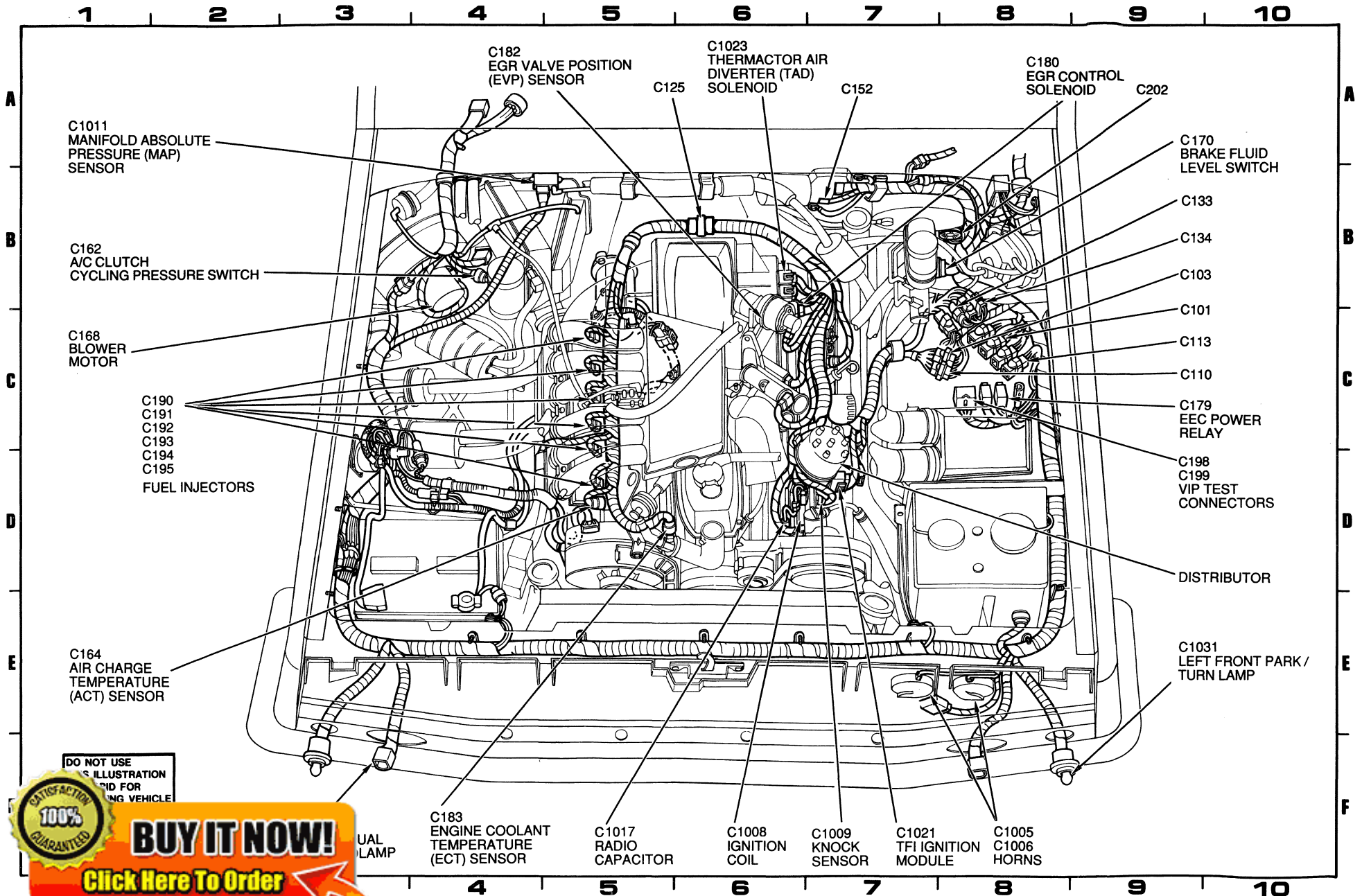


**100% SATISFACTION GUARANTEED**

**BUY IT NOW!**

**Click Here To Order**

# 151-1 COMPONENT LOCATION VIEWS



DO NOT USE THIS ILLUSTRATION AS A GUIDE FOR REPAIRING YOUR VEHICLE

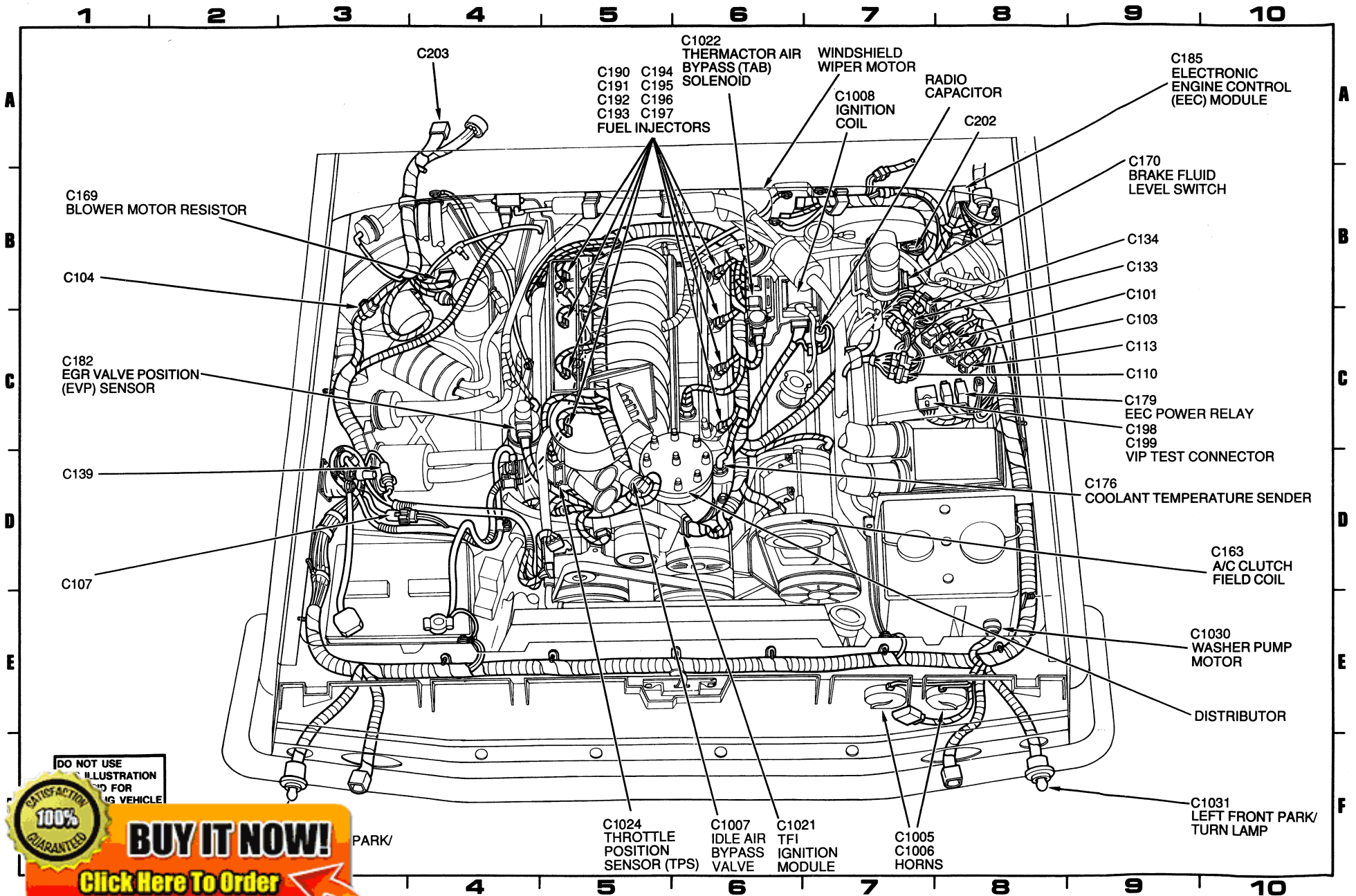
**100% SATISFACTION GUARANTEED**

**BUY IT NOW!**

[Click Here To Order](#)



# 151-3 COMPONENT LOCATION VIEWS



DO NOT USE THIS ILLUSTRATION FOR REPAIR OR MAINTENANCE ON ANY VEHICLE

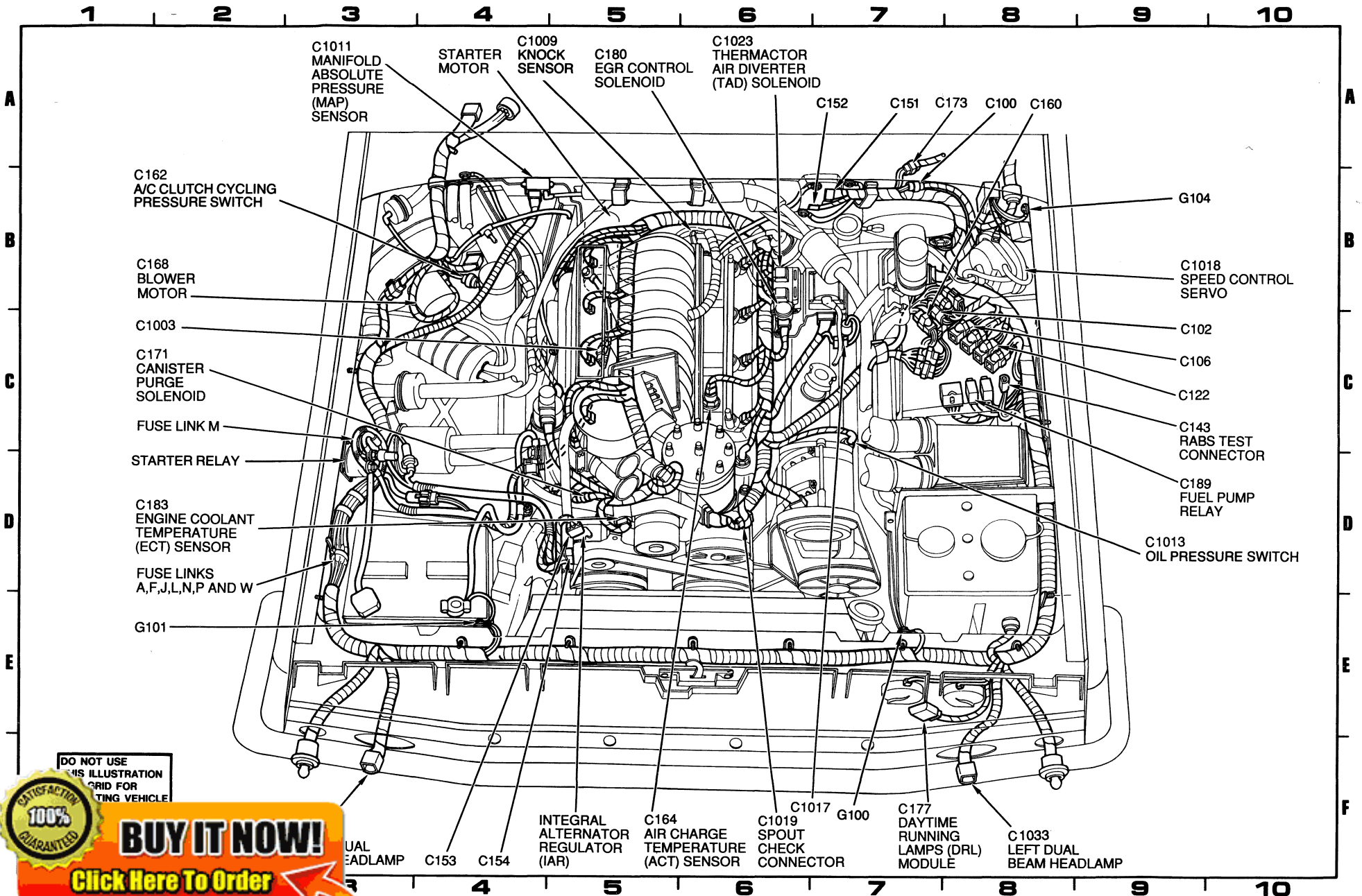
**100% SATISFACTION GUARANTEED**

**BUY IT NOW!**

[Click Here To Order](#)

PayPal, American Express, Discover, MasterCard, VISA

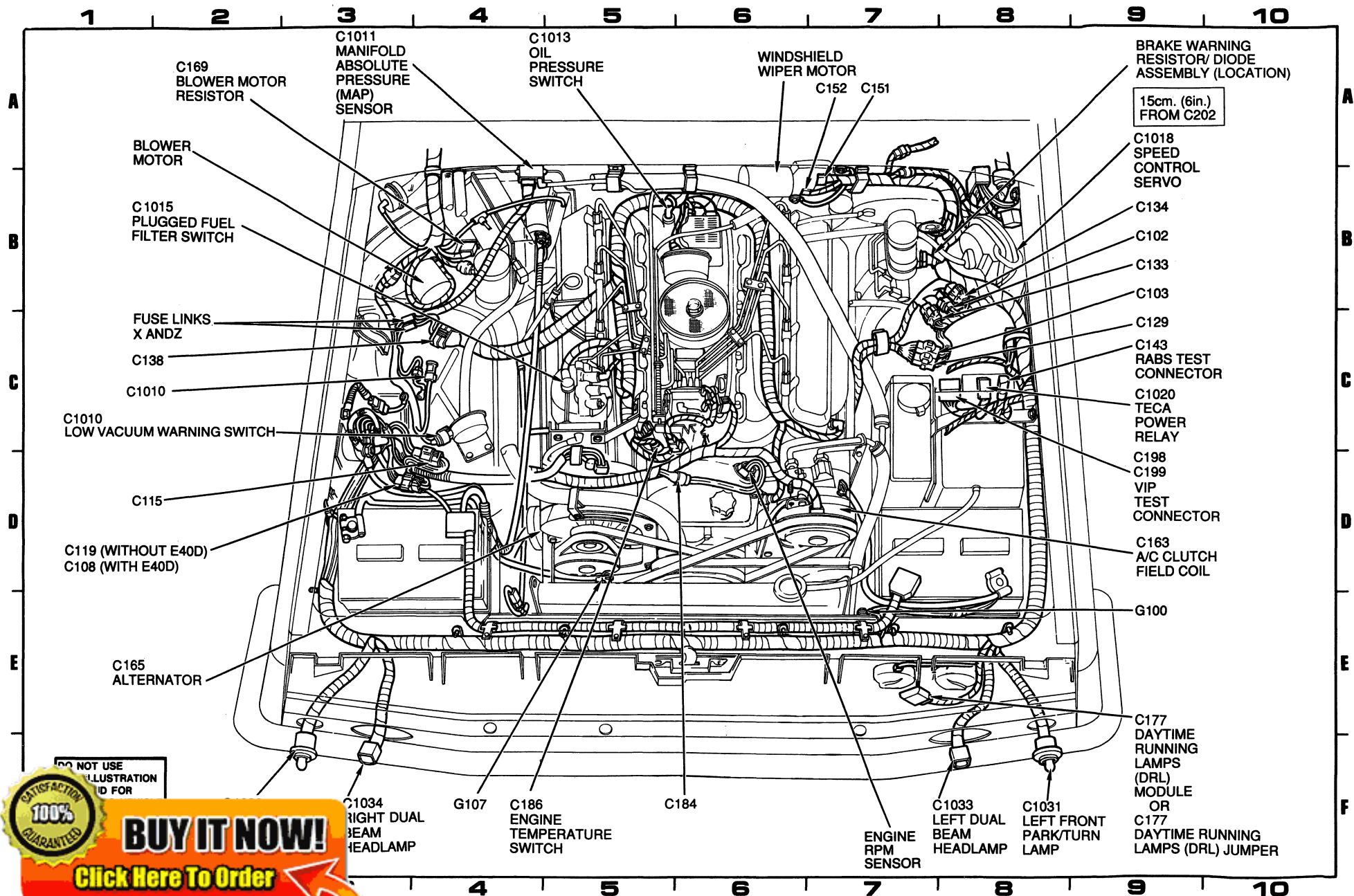
# COMPONENT LOCATION VIEWS 151-4



5.0L/5.8L Engine (2 of 2)



# 151-5 COMPONENT LOCATION VIEWS



DO NOT USE ILLUSTRATION ID FOR

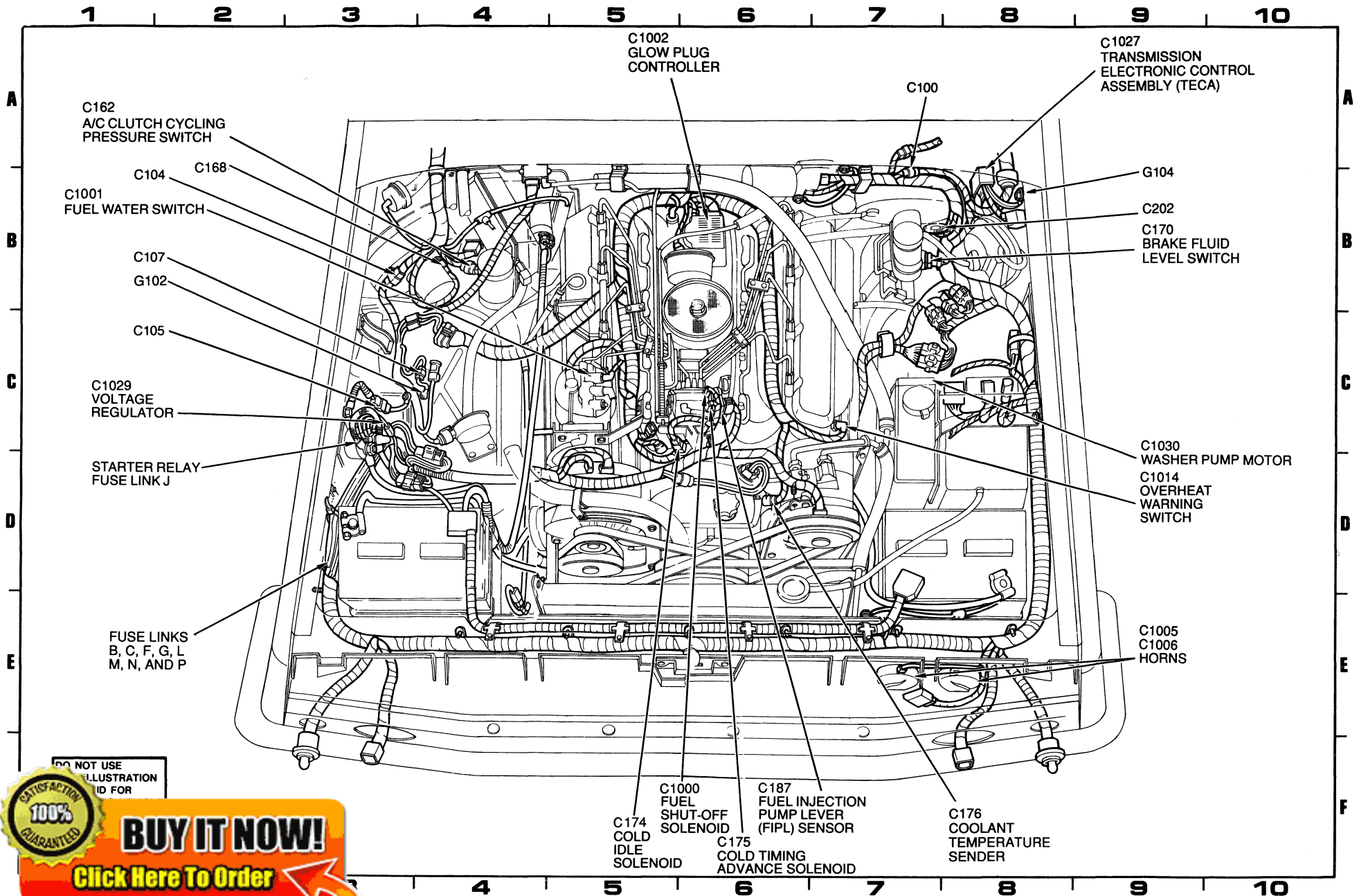
**100% SATISFACTION GUARANTEED**

**BUY IT NOW!**

**Click Here To Order**

PayPal   American Express   Discover   MasterCard   VISA

# COMPONENT LOCATION VIEWS 151-6



DO NOT USE ILLUSTRATION ID FOR

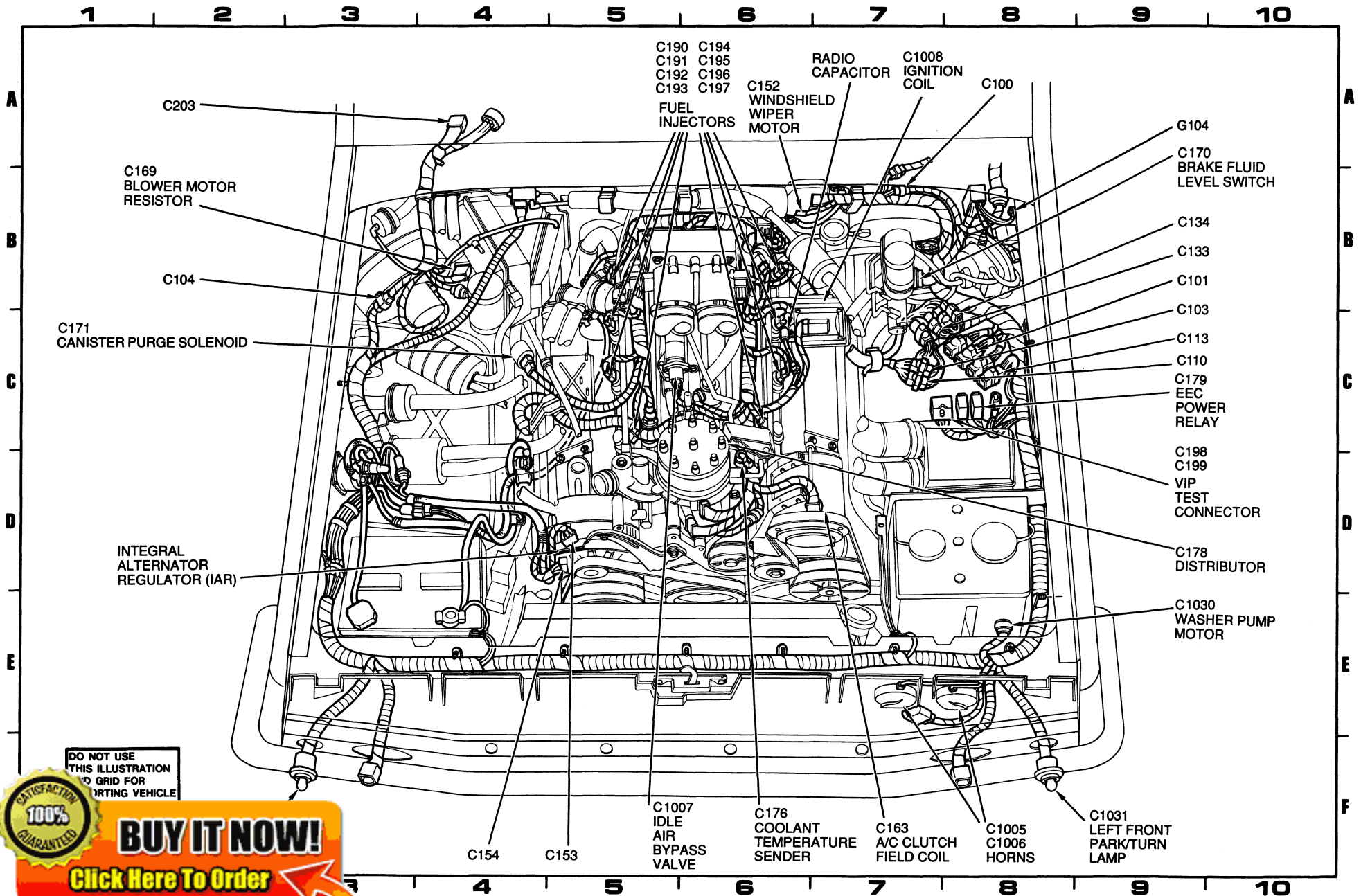
**100% SATISFACTION GUARANTEED**

**BUY IT NOW!**

[Click Here To Order](#)



# COMPONENT LOCATION VIEWS 151-8



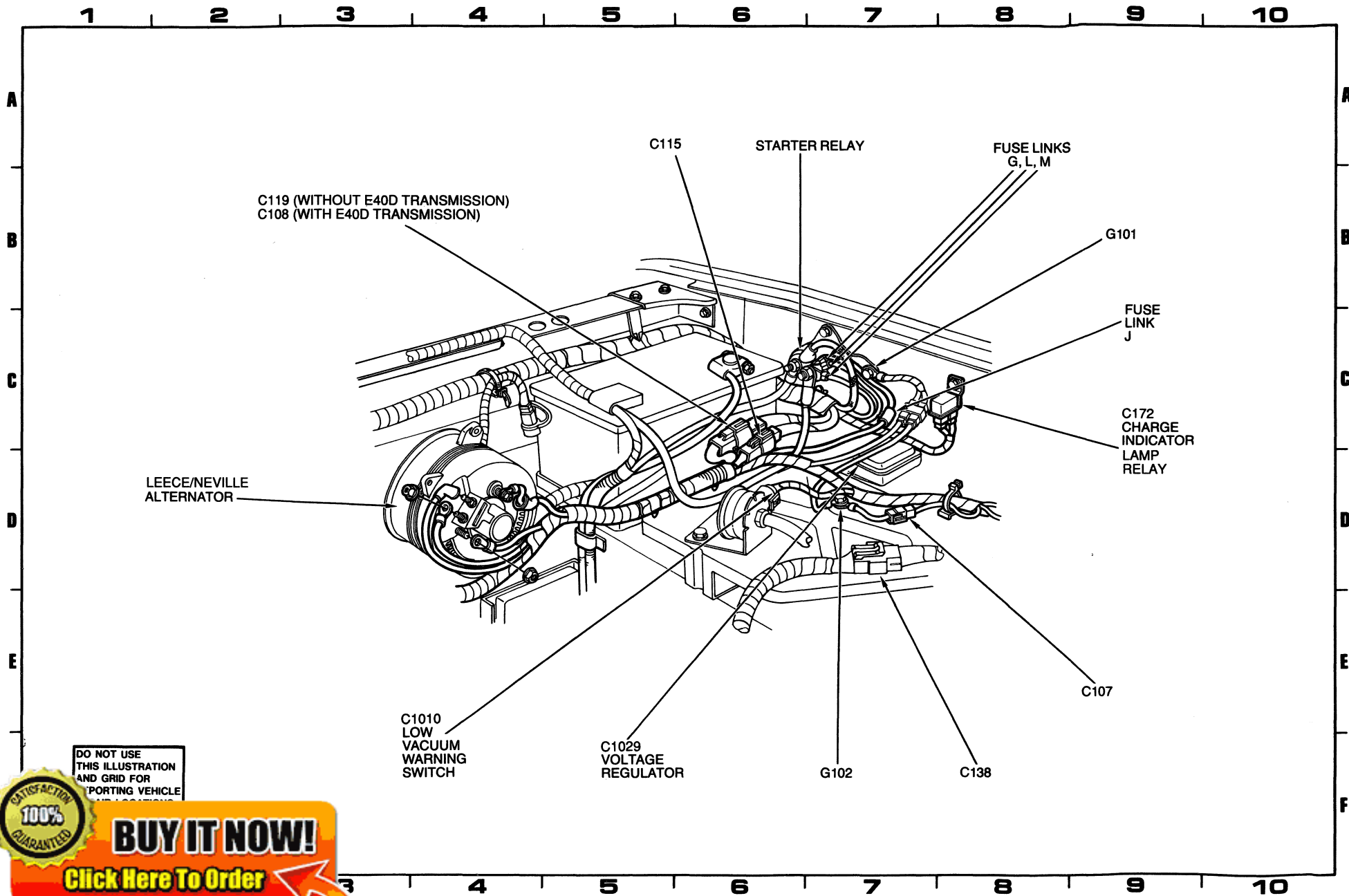
DO NOT USE THIS ILLUSTRATION TO GRID FOR PORTING VEHICLE

**100% SATISFACTION GUARANTEED**

**BUY IT NOW!**

[Click Here To Order](#)

# 151-9 COMPONENT LOCATION VIEWS



DO NOT USE THIS ILLUSTRATION AND GRID FOR IMPORTING VEHICLE

**100% SATISFACTION GUARANTEED**

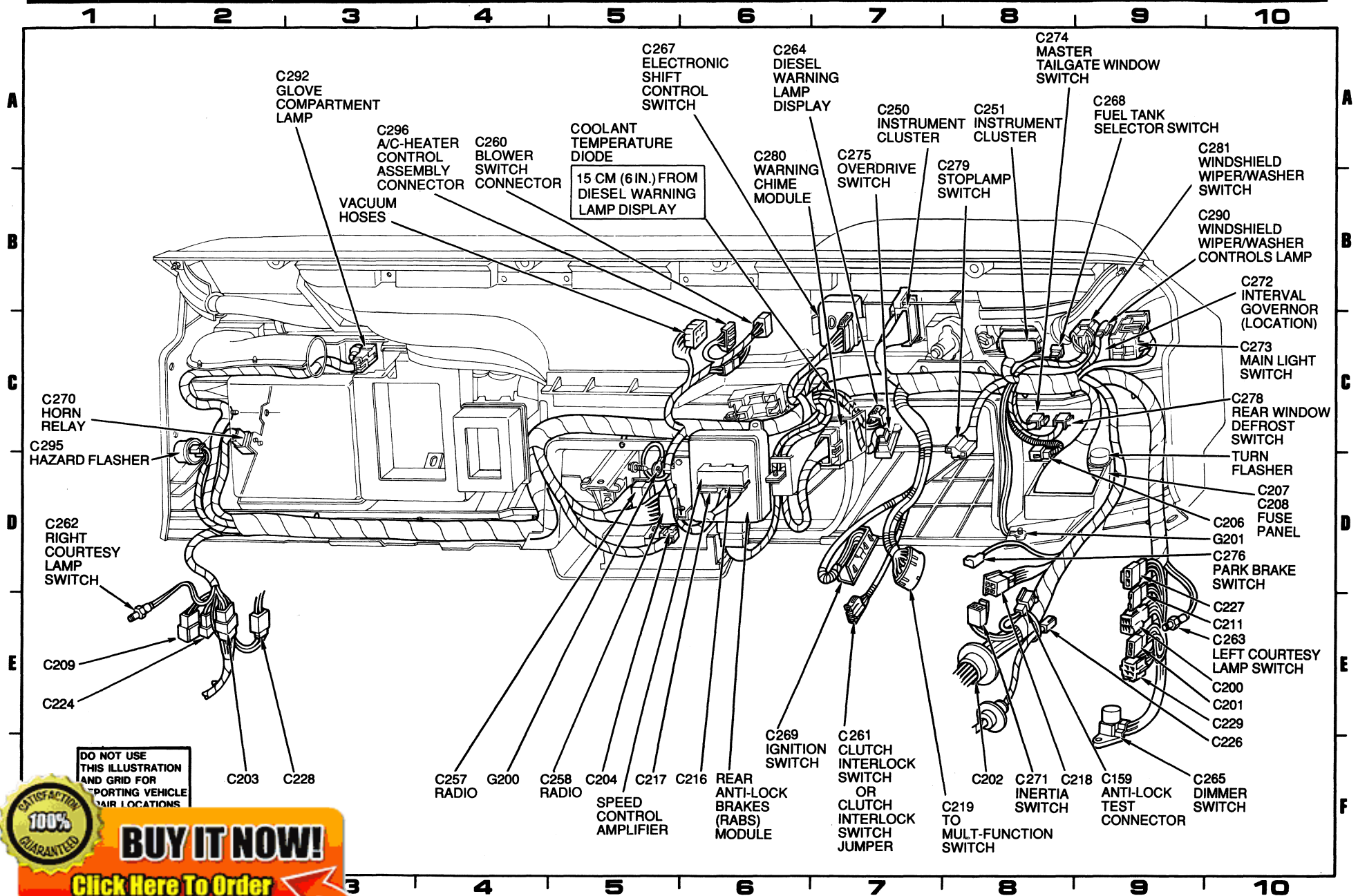
**BUY IT NOW!**

[Click Here To Order](#)

PayPal American Express Discover Plus MasterCard VISA

165 Amp Alternator

# COMPONENT LOCATION VIEWS 151-10



DO NOT USE THIS ILLUSTRATION AND GRID FOR REPORTING VEHICLE PART LOCATIONS

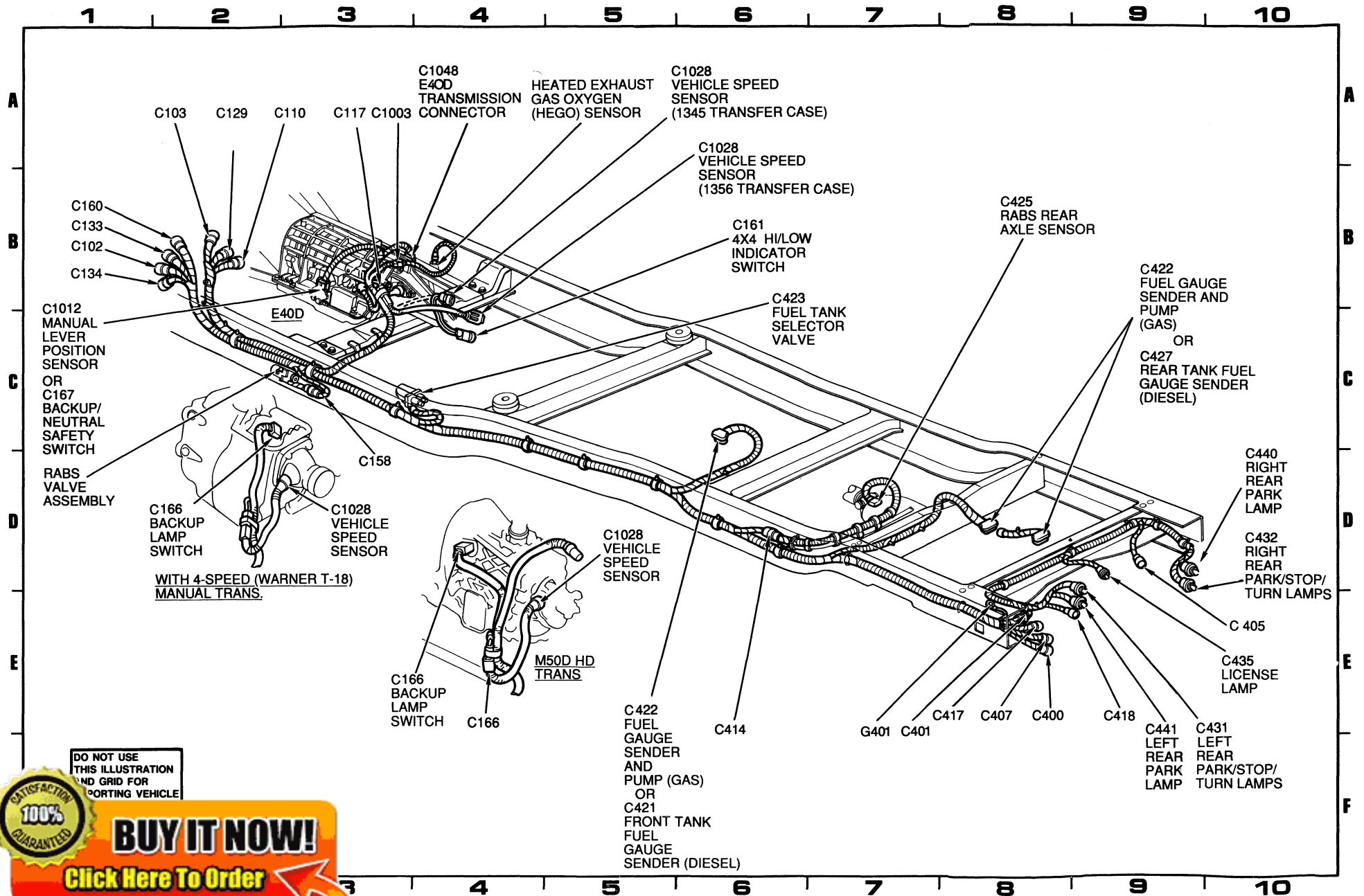
**SATISFACTORY 100% GUARANTEED**

**BUY IT NOW!**

[Click Here To Order](#)

PayPal, American Express, Discover, MasterCard, VISA

# 151-11 COMPONENT LOCATION VIEWS



DO NOT USE THIS ILLUSTRATION AND GRID FOR REPORTING VEHICLE

**100% SATISFACTION GUARANTEED**

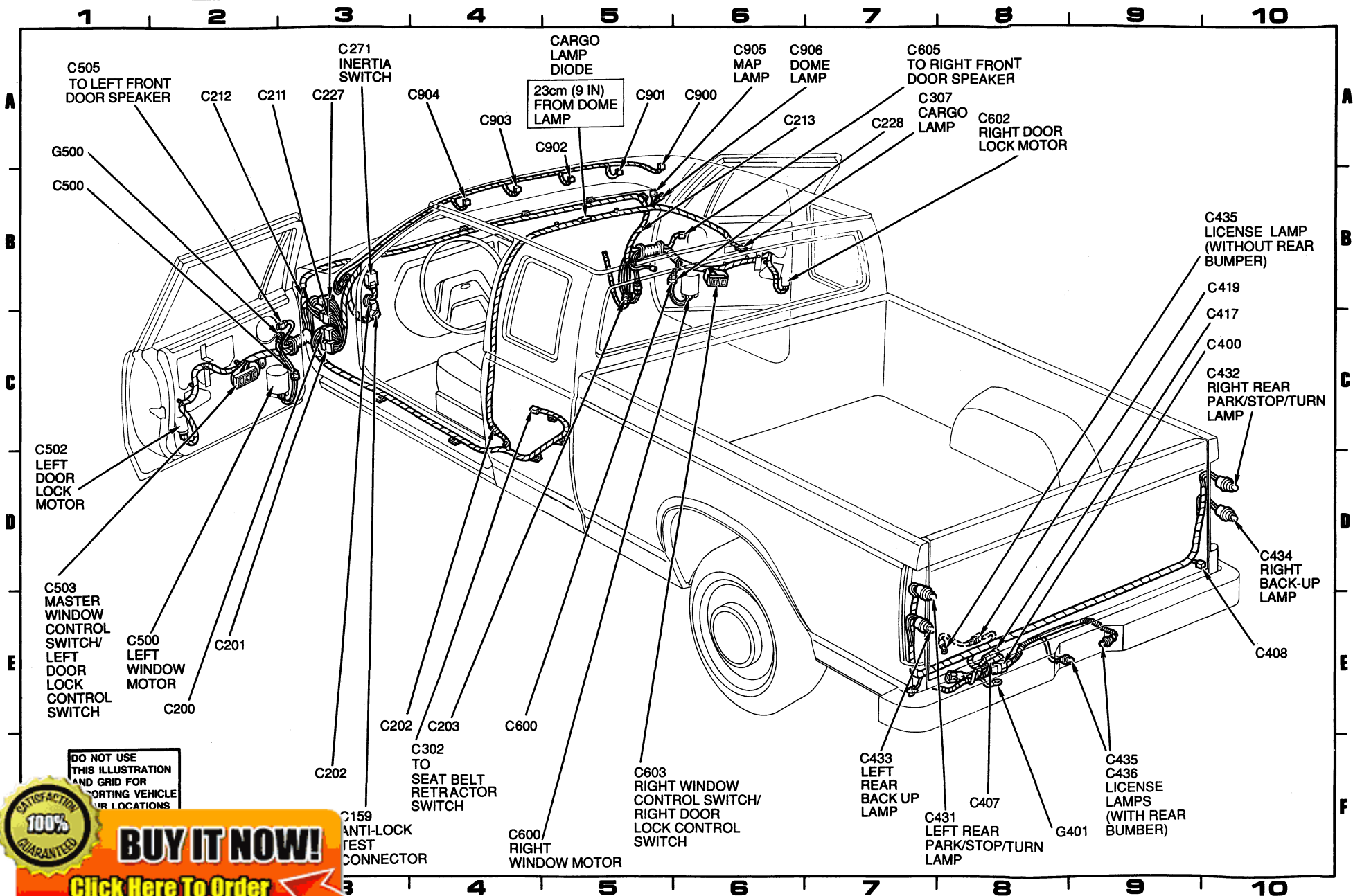
**BUY IT NOW!**

[Click Here To Order](#)

Frame Rail View



# 151-13 COMPONENT LOCATION VIEWS



**BUY IT NOW!**

[Click Here To Order](#)



Full Body View (F Series)



# 152-1 LOCATION INDEX

<u>Base Harness Number</u>	<u>Harness Name</u>	<u>Major Systems</u>
14401	Main .....	Air Conditioner/Heater Anti-lock Brakes Courtesy Lamps Headlamps IMS/EUL Module Instrument Panel Speed Control Radio Turn/Stop/Hazard Lamps Warning Chime
14405	Rear Lamp .....	Anti-lock Brakes Auxiliary Fuel Tank Selector Fuel Tank Sender And Pump License Lamps Turn/Stop/Hazard Lamps Trailer Wiring
14406	Fuel Tank Sender .....	Fuel Tank Sender
14408	Right Rear Lamp Extension .....	Backup Lamp Rear Park/Stop/Turn Lamps
14630	Window Regulator Right Front Door .....	Power Door Locks Power Window Radio
14631	Window Regulator Left Front Door .....	Power Door Locks Power Window Radio
14K067	Warning Lamp Feed .....	Warning Indicators
14086	Rear Window Regulator Control .....	Tailgate Power Window
14298	Dash Panel to Engine .....	Air Conditioner/Heater Engine Controls Start/Ignition
14203	Engine Ground .....	Grounds
	Alternator Rectifier System .....	Air Conditioner/Heater Engine Controls Instrument Panel Start/Ignition Courtesy Lamps

**100% SATISFACTION GUARANTEED**

**BUY IT NOW!**

**Click Here To Order**

PayPal American Express Discover MasterCard VISA

<u>Base Harness Number</u>	<u>Harness Name</u>	<u>Major Systems</u>
13A409	Rear Lamps Connector .....	Backup Lamps License Lamp Park/Stop/Turn Lamps
13A576	Trailer Lamp Feed .....	Trailer Wiring
13A726	Ash Receptacle Lamp .....	Cigar Lighter Instrument Illumination
13N850	Diesel Starter Relay Ground .....	Ground
13412	Rear License Lamp .....	License Lamp
14A107	Rear Axle Control Jumper .....	Anti-lock Brakes
14A200	Window Regulator Relay Switch .....	Power Doors Power Windows
14A303	Relay Feed Wiring Assembly .....	Trailer Wiring
14A346	Trailer Battery Feed .....	Trailer Wiring
14A348	Trailer Brake Control Switch .....	Trailer Wiring
14A504	Right Seatbelt Retractor .....	Radio Seatbelt Retractor
6B018	Engine Block Heater .....	Engine Block Heater
7A786	Transfer Case Four Wheel Drive Control .....	All Wheel Drive
9A124	Fuel Tank Selector Switch .....	Fuel Tank Selector Instrument Panel
9A840	Speed Control .....	Speed Control
9C887	Vehicle Speed Control Extension .....	Speed Control Vehicle Speed Control Sensor
9D353	Fuel Pump Motor Jumper .....	Engine Controls
9D930	Fuel Charge .....	Engine Controls
11A060	Starter Relay Ground .....	Grounds
12A581	Engine .....	Engine Controls Instrument Panel Start Ignition Windshield Wiper/Washer
13A590	Engine Control Sensor Extension .....	HEGO Sensor Lead
13A604	Right Marker Lamp .....	Trailer Wiring
13A605	Left Marker Lamp .....	Trailer Wiring
13A606	Turn Signal Switch .....	Exterior Lamps
13A607	Front Lamp Feed .....	Exterior Lamps
13A608	Relay Feed Wiring Assembly .....	Exterior Lamps



BUY IT NOW!

Click Here To Order



# 152-3 LOCATION INDEX

---

<u>Base Harness Number</u>	<u>Harness Name</u>	<u>Major Systems</u>
15525	Backup Lamp .....	Backup Lamps
18A586	Heater Switch to Blower Motor .....	Air Conditioner/Heater
19A123	Rear Speaker Extension .....	Radio



**BUY IT NOW!**  
**Click Here To Order** 



# LOCATION INDEX 152-4

<u>Component</u>	<u>Connector</u>	<u>Base Part No.</u>	<u>Location</u>	<u>Page Zone</u>	<u>Connector Page</u>
4x4 Hi/Low Indicator Switch .....	C161 .....		Below vehicle, rear of transfer case .....	151- 11-	B6
A/C Clutch Cycling Pressure Switch (4.9L) .....	C162 .....	19E561 ...	RH rear of engine compartment, near safety wall .....	151- 1-	B1
A/C Clutch Cycling Pressure Switch (5.0L) (5.8L) .....	C162 .....	19E561 ...	RH rear of engine compartment, near safety wall .....	151- 4-	B2
A/C Clutch Cycling Pressure Switch (7.3L) .....	C162 .....	19E561 ...	RH rear of engine compartment, near safety wall .....	151- 6-	A1
A/C Clutch Cycling Pressure Switch (7.5L) .....	C162 .....	19E561 ...	RH rear of engine compartment, near safety wall .....	151- 7-	B1
A/C Clutch Field Coil (4.9L) .....	C163 .....	19701 ....	LH front of engine .....	151- 2-	F6
A/C Clutch Field Coil (5.0L) (5.8L) .....	C163 .....	19701 ....	LH front of engine .....	151- 3-	D10
A/C Clutch Field Coil (7.3L) .....	C163 .....	19701 ....	LH front of engine .....	151- 5-	D9
A/C Clutch Field Coil (7.5L) .....	C163 .....	19701 ....	Front LH side of engine .....	151- 8-	F7
A/C Clutch Resistor Diode .....		14A099 ...	LH side of engine compartment, taped to harness, near C113 .....	*	
A/C-Heater Control Assembly .....	C296 .....	18549 ....	Center of I/P .....	151- 10-	B4
Air Charge Temperature (ACT) Sensor (4.9L) .....	C164 .....	12A697 ...	Front RH side of engine, near intake runner #1 ..	151- 1-	E1
Air Charge Temperature (ACT) Sensor (5.0L) (5.8L) .....	C164 .....	12A697 ...	Top center front of engine, near intake runner #6 .....	151- 4-	F5
Air Charge Temperature (ACT) Sensor (7.5L) .....	C164 .....	12A697 ...	Center of engine, behind distributor .....	151- 7-	F5
Alternator .....	C165 .....	10300 ....	Top RH front of engine .....	151- 9-	D2
Block Test Connector .....	C159 .....	14A459 ...	Behind LH side of I/P, near C202 .....	151- 10-	F9
	C293 .....		Center of I/P .....	*	
	C433, C434 .....		Rear of vehicle, on respective sides .....	151-12-	F7
	C166 .....	15520 ....	Below center of vehicle, LH rear of transmission .....	151- 11-	E4

**100% SATISFACTION GUARANTEED**

**BUY IT NOW!**

**Click Here To Order**

PayPal American Express Discover MasterCard VISA

# 152-5 LOCATION INDEX

<u>Component</u>	<u>Connector</u>	<u>Base Part No.</u>	<u>Location</u>	<u>Page Zone</u>	<u>Connector Page</u>
Backup/Neutral Safety Switch	C167	7A247	Below vehicle, LH side of transmission	151- 11- C1	150-1
Blower Motor (4.9L)	C168	18456	RH side of safety wall	151- 1- C1	
Blower Motor (5.0L) (5.8L)	C168	18456	RH side of safety wall	151- 4- B2	
Blower Motor (7.3L)	C168	18456	RH side of safety wall	151- 5- A1	
Blower Motor (7.5L)	C168	18456	RH side of safety wall	151- 7- C1	
Blower Motor Resistor (4.9L)	C169	19A706	RH side of safety wall, on plenum	151- 2- A1	
Blower Motor Resistor (5.0L) (5.8L)	C169	19A706	RH side of safety wall, on plenum	151- 3- B1	
Blower Motor Resistor (7.3L)	C169	19A706	RH side of safety wall, on plenum	151- 5- A2	
Blower Motor Resistor (7.5L)	C169	19A706	RH side of safety wall, on plenum	151- 8- B1	
Blower Switch	C260	19A642	Center of I/P	151- 10- B4	150-1
Brake Fluid Level Switch (4.9L)	C170	2L414	LH rear of engine compartment, on brake fluid reservoir	151- 1-A10	
Brake Fluid Level Switch (7.3L)	C170	2L414	LH rear of engine compartment, on brake fluid reservoir	151- 6- B9	
Brake Fluid Level Switch (7.5L)	C170	2L414	LH rear of engine compartment, on brake fluid reservoir	151- 8-B10	
Brake Warning Resistor/Diode Assembly		14A601	LH rear of engine compartment, near C202	151- 5- A9	
Cab Marker Lamps	C900, C901, C902, C903, C904		Top of cab	*	
Canister Purge Solenoid (4.9L)	C171	9C915	RH side of engine compartment	*	
Canister Purge Solenoid (5.0L) (5.8L)	C171	9C015	Front RH side of engine	151- 4- C2	
Canister Purge Solenoid (7.5L)	C171	9C915	RH side of engine, above exhaust manifold	151- 8- C1	
Cargo Lamp (Bronco)	C307		Above LH rear wheel well	151- 12- F5	
Cargo Lamp (F-Series)	C307		On rear of cab	151- 13- A7	
Cargo Lamp Diode (Bronco)		14A604	LH side of cargo area, behind trim panel, near cargo lamp	151- 12- E5	
Cargo Lamp Diode (F-Series)		14A604	Rear of cab, above LH side of rear window	151- 13- A5	
Indicator Lamp Relay	C172	10B999	On RH fender apron, behind starter relay	151- 9- C9	
	C294		Center of I/P	*	
	C261	11A152	Behind LH side of I/P, top of clutch pedal support	151- 10- F7	150-1

**100% SATISFACTION GUARANTEED**

**BUY IT NOW!**

**Click Here To Order**

PayPal American Express Discover MasterCard VISA

# LOCATION INDEX 152-6

<u>Component</u>	<u>Connector</u>	<u>Base Part No.</u>	<u>Location</u>	<u>Page Zone</u>	<u>Connector Page</u>
Clutch Interlock Switch Jumper .....	C261 .....	14B155 ...	Behind LH side of I/P, near steering column ....	151- 10- F7	
Cold Idle Solenoid .....	C174 .....		Top center front of engine .....	151- 6- F5	
Cold Timing Advance Solenoid .....	C175 .....		Top LH side of engine .....	151- 6- F6	
Coolant Temperature Diode .....		14A604 ...	Behind LH side of I/P, near diesel warning lamp display .....	151- 10- A5	
Coolant Temperature Sender (4.9L) ..	C176 .....	12A648 ...	RH rear of engine, behind rear intake runner ....	151- 2- B1	
Coolant Temperature Sender (5.0L)(5.8L) .....	C176 .....	12A648 ...	Front LH side of engine .....	151- 3- D9	
Coolant Temperature Sender (7.3L) ..	C176 .....	12A648 ...	Front LH side of engine .....	151- 6- F8	
Coolant Temperature Sender (7.5L) ..	C176 .....	12A648 ...	Front LH side of engine, LH side of distributor ...	151- 8- F6	
Courtesy Lamp Switches .....	C262, C263 ...	13713 ...	On front of respective door jambs .....	151-10-E 10	
Daytime Running Lamps (DRL) Jumper (7.3L) .....	C177 .....		Front LH side of lower radiator support, near horns .....	151- 5- F9	
Daytime Running Lamps (DRL) Jumper (7.5L) .....	C177 .....		Front LH side of lower radiator support, near horns .....	151- 7- F9	
Daytime Running Lamps (DRL) Module (4.9L) .....	C177 .....	15A272 ...	Front LH side of lower radiator support, near horns .....	151- 2- F7 .....	150-2
Daytime Running Lamps (DRL) Module (5.0L)(5.8L) .....	C177 .....	15A272 ...	Front LH side of lower radiator support, near horns .....	151- 4- F7 .....	150-2
Daytime Running Lamps (DRL) Module (7.3L) .....	C177 .....	15A272 ...	Front LH side of lower radiator support, near horns .....	151- 5- F9 .....	150-2
Daytime Running Lamps (DRL) Module (7.5L) .....	C177 .....	15A272 ...	Front LH side of lower radiator support, near horns .....	151- 7- E9 .....	150-2
Warning Lamp Display .....	C264 .....		LH side of I/P .....	151- 10- A6	
	C265 .....	13A024 ...	Front LH side of floor pan, near LH cowl panel ..	151- 10-F10	
		12100 ...	LH side of engine .....	151- 1-D10	
		12100 ...	Center front of engine .....	151- 3-F10	
	C178 .....	12100 ...	Center front of engine .....	151- 8-D10 .....	150-2

**100% SATISFACTION GUARANTEED**

**BUY IT NOW!**

**Click Here To Order**

PayPal American Express Discover MasterCard VISA

# 152-7 LOCATION INDEX

<u>Component</u>	<u>Connector</u>	<u>Base Part No.</u>	<u>Location</u>	<u>Page Zone</u>	<u>Connector Page</u>
Dome Lamp	C905, C906		Center of headliner	151- 13- A6	
Door Lock Motors	C502, C602		In rear of respective doors	151- 12- D1	
E4OD Transmission	C1048		Below center of vehicle	151- 11- A3	150-8
EEC Power Relay (4.9L)	C179	12A646	LH side of engine compartment, on relay bracket	151- 1-C10	150-2
EEC Power Relay (5.0L)(5.8L)	C179	12A646	LH side of engine compartment, on relay bracket	151- 3- C9	150-2
EEC Power Relay (7.5L)	C179	12A646	LH side of engine compartment, on relay bracket	151- 8- C9	150-2
EGR Control Solenoid (4.9L)	C180	9D474	LH rear of engine, near valve cover	151- 1- A8	
EGR Control Solenoid (5.0L)(5.8L)	C180	9D474	LH side of engine, on ignition coil support bracket	151- 4- A5	
EGR Vacuum Regulator (EVR) Solenoid	C181	9D475	LH rear of engine, near throttle body	151- 7- A6	
EGR Valve Position (EVP) Sensor (4.9L)	C182	9G428	Top LH rear of engine	151- 1- A4	
EGR Valve Position (EVP) Sensor (5.0L)(5.8L)	C182	9G428	Front RH side of engine	151- 3- C1	
EGR Valve Position (EVP) Sensor (7.5L)	C182	9G428	LH rear of engine	151- 7- A6	
Electronic Engine Control (EEC) Module (4.9L)	C185	12A650	LH side of safety wall, below brake fluid reservoir	151- 2- A9	150-3
Electronic Engine Control (EEC) Module (5.0L)(5.8L)	C185	12A650	LH side of safety wall, below brake fluid reservoir	151- 3- A9	150-3
Electronic Engine Control (EEC) Module (7.5L)	C185	12A650	LH side of safety wall, below brake fluid reservoir	151- 7- A8	150-5
Electronic Shift Control Module	C221, C222, C223	7E453	Behind RH cowl panel	151- 12- A6	150-7
	C267	7Z155	LH side of I/P	151- 10- A5	150-8
	C183	12A648	Center front of engine, on thermostat housing	151- 1- F4	

**100% SATISFACTION GUARANTEED**

**BUY IT NOW!**

**Click Here To Order**

PayPal American Express Discover MasterCard VISA

# LOCATION INDEX 152-8

<u>Component</u>	<u>Connector</u>	<u>Base Part No.</u>	<u>Location</u>	<u>Page Zone</u>	<u>Connector Page</u>
Engine Coolant Temperature (ECT) Sensor (5.0L)(5.8L)	C183	12A648	Center front of engine, on thermostat housing	151- 4- D2	
Engine Coolant Temperature (ECT) Sensor (7.5L)	C183	12A648	Center front of engine, near distributor	151- 7- F4	
Engine Lamp	C1035		In engine compartment	★	
Engine RPM Sensor	C184	17360	Top LH front of engine	151- 5-F74	
Engine Temperature Switch	C186		Top RH front of engine	151- 5- F4	
Front Door Speakers	C505, C605		In respective doors	151-12- B10	
Front Park/Turn Lamp	C1031, C1032		Front of vehicle, on respective sides	151- 8- F9	
Front Tank Fuel Gauge Sender	C421	9H307	Top of front fuel tank	151- 11- F5	
Front Tank Fuel Gauge Sender And Pump	C443		In front fuel tank	★	
Fuel Gauge Sender And Pump	C422	9H307	Top of fuel tank	151- 11- E5	
Fuel Injection Pump Lever (FIPL) Sensor	C187	9B989	LH side of engine	151- 6- F7	
Fuel Injectors (4.9L)	C190, C191, C192, C193, C194, C195	9F593	RH side of engine, in lower intake manifold	151- 1- D2	
Fuel Injectors (5.0L)(5.8L)	C190, C191, C192, C193, C194, C195, C196, C197	9F593	Top of engine, in lower intake manifold	151- 3- A5	
Fuel Injectors (7.5L)	C190, C191, C192, C193, C194, C195, C196, C197	9F593	Top of engine, in lower intake manifold	151- 8- A5	
Fuel Line Heater	C188		Front RH side of engine, near fuel filter	★	
Fuel Pump Relay (4.9L)	C189	9345	LH side of engine compartment, on relay bracket	151- 2- D9	150-8
Fuel Pump Relay (5.0L)(5.8L)	C189	9345	LH side of engine compartment, on relay bracket	151- 4- D9	150-8
Fuel Pump Relay (7.5L)	C189	9345	LH side of engine compartment, on relay bracket	151- 7- D9	150-8
Fuel Pump Relay (9.0L)	C1000	9D278	Top of engine	151- 6- F6	



BUY IT NOW!

Click Here To Order



# 152-9 LOCATION INDEX

<u>Component</u>	<u>Connector</u>	<u>Base Part No.</u>	<u>Location</u>	<u>Page Zone</u>	<u>Connector Page</u>
Fuel Tank Selector Switch	C268	9A050	LH side of I/P	151- 10- A9	150-9
Fuel Tank Selector Valve	C423	9F271	On LH frame rail, below driver's door	151- 11- C6	150-9
Fuel Water Switch	C1001	9J308	Front RH side of engine, near fuel filter	151- 6- B2	
Fuse Link A (4.9L)		14526	Front of RH fender apron, at starter relay	151- 2- D1	
Fuse Link A (5.0L) (5.8L)		14526	Front of RH fender apron, at starter relay	151- 4- D2	
Fuse Link A (7.5L)		14526	Front of RH fender apron, in engine harness	151- 7- D1	
Fuse Link B		14526	Front of RH fender apron, in engine harness	151- 6- E1	
Fuse Link C		14526	Front of RH fender apron, in engine harness	151- 6- E1	
Fuse Link F (4.9L)		14526	Front of RH fender apron, at starter relay	151- 2- D1	
Fuse Link F (5.0L) (5.8L)		14526	Front of RH fender apron, at starter relay	151- 4- D2	
Fuse Link F (7.3L)		14526	Front of RH fender apron, in engine harness	151- 6- E1	
Fuse Link F (7.5L)		14526	Front of RH fender apron, in engine harness	151- 7- D1	
Fuse Link G		14526	Front of RH fender apron, in engine harness	151- 6- E1	
Fuse Link J (4.9L)		14526	Front of RH fender apron, at starter relay	151- 2- D1	
Fuse Link J (5.0L) (5.8L)		14526	Front of RH fender apron, at starter relay	151- 4- D2	
Fuse Link J (7.3L)		14526	Front of RH fender apron, at starter relay	151- 6- D1	
Fuse Link J (7.5L)		14526	Front of RH fender apron, in engine harness	151- 7- D1	
Fuse Link L (4.9L)		14526	Front of RH fender apron, at starter relay	151- 2- D1	
Fuse Link L (5.0L) (5.8L)		14526	Front of RH fender apron, at starter relay	151- 4- D2	
Fuse Link L (7.3L)		14526	Front of RH fender apron, in engine harness	151- 6- E1	
Fuse Link L (7.5L)		14526	Front of RH fender apron, in engine harness	151- 7- D1	
Fuse Link M (4.9L)		14526	Front of RH fender apron, at starter relay	151- 2- C1	
Fuse Link M (5.0L) (5.8L)		14526	Front of RH fender apron, at starter relay	151- 4- C2	
Fuse Link M (7.3L)		14526	Front of RH fender apron, in engine harness	151- 6- E1	
Fuse Link N (4.9L)		14526	Front of RH fender apron, at starter relay	151- 2- D1	
Fuse Link N (5.0L) (5.8L)		14526	Front of RH fender apron, at starter relay	151- 4- D2	
Fuse Link N (7.3L)		14526	Front of RH fender apron, in engine harness	151- 6- E1	
Fuse Link N (7.5L)		14526	Front of RH fender apron, in engine harness	151- 7- D1	
Fuse Link P (4.9L)		14526	Front of RH fender apron, at starter relay	151- 2- D1	
Fuse Link P (5.0L) (5.8L)		14526	Front of RH fender apron, in engine harness	151- 4- D2	
		14526	Front of RH fender apron, in engine harness	151- 6- E1	
		14526	Front of RH fender apron, in engine harness	151- 7- D1	
		14526	Front of RH fender apron, at starter relay	151- 2- D1	
		14526	Front of RH fender apron, at starter relay	151- 4- D2	

**100% SATISFACTION GUARANTEED**

**BUY IT NOW!**

**Click Here To Order**

PayPal American Express Discover MasterCard VISA

# LOCATION INDEX 152-10

<u>Component</u>	<u>Connector</u>	<u>Base Part No.</u>	<u>Location</u>	<u>Page Zone</u>	<u>Connector Page</u>
Fuse Link W (7.5L)		14526	Front of RH fender apron, in engine harness	151- 7-	D1
Fuse Link X		14526	RH side of engine compartment, near blower motor	151- 5-	C2
Fuse Link Z		14526	RH side of engine compartment, near blower motor	151- 5-	C2
Fuse Panel		14A068	Behind lower LH side of I/P	151-10-	D10
Glove Compartment Lamp	C292		In glove compartment	151-10-	A2
Glow Plug Controller	C1002		Top of engine, near LH rear corner	151- 6-	A5
Glow Plugs	C1040, C1041, C1042, C1043, C1044, C1045, C1046, C1047		Top of each cylinder head		*
Hazard Flasher	C295	13350	Behind RH side of I/P, near horn relay	151- 10-	D1
Headlamps	C1033, C1034		Front of vehicle, on respective sides	151-7-	F8
Heated Exhaust Gas Oxygen (HEGO) Sensor (Over 8500 GVW)	C1003	9F472	Below RH side of vehicle, in exhaust manifold	151- 11-	A5
Heated Exhaust Gas Oxygen (HEGO) Sensor (Under 8500 GVW)	C1003	9F472	RH rear of engine compartment, in exhaust manifold		*
Heater Control Assembly	C297		Center of I/P		*
Heater Controls Illumination	C298		Center of I/P		*
Horn Relay	C270	13853	Behind RH side of I/P, near RH side of glove box	151- 10-	C1 ..... 150-9
Horn Relay Jumper	C270		Behind RH side of I/P, near hazard flasher		*
Horns (4.9L)	C1005, C1006	13802	Front LH side of lower radiator support	151- 1-	F8
Horns (5.0L) (5.8L)	C1005, C1006	13802	Front LH side of lower radiator support	151- 3-	F7
Horns (7.3L)	C1005, C1006	13802	Front LH side of lower radiator support	151- 6-	E9
Horns (7.5L)	C1005, C1006	13802	Front LH side of lower radiator support	151- 8-	F8
Idle Air Bypass Valve (4.9L)	C1007	12B526	LH side of engine, top of throttle body	151- 2-	F5
Bypass Valve (5.0L) (5.8L)	C1007	12B526	Center of engine, top of throttle body	151- 3-	F6
	C1007	12B526	Top center of engine, below throttle body	151- 8-	F5
	C1008	11082	Lower LH side of engine, forward of distributor	151- 1-	F6
	C1008	11082	LH rear of engine, near intake manifold	151- 3-	A7
	C1008	11082	LH side of engine, above valve cover	151- 8-	A7

**100% SATISFACTION GUARANTEED**

**BUY IT NOW!**

**Click Here To Order**

PayPal American Express Discover MasterCard VISA

# 152-11 LOCATION INDEX

<u>Component</u>	<u>Connector</u>	<u>Base Part No.</u>	<u>Location</u>	<u>Page Zone</u>	<u>Connector Page</u>
Ignition Key Warning Switch	C219	11A127	Top of steering column, part of ignition switch	*	
Ignition Suppression Resistor		12250	LH side of engine compartment, taped to harness	*	
Ignition Switch	C269	11572	Top RH side of steering column	151- 10- F6	150-10
Inertia Switch	C271	9341	Behind LH side of I/P, near LH side of steering column	151- 10- F8	
Instrument Cluster (Diesel Engine)	C250, C251	9271	Top LH side of I/P	151- 10- A8	150-12
Instrument Cluster (Gasoline Engines)	C250, C251	9271	Top LH side of I/P	151- 10- A8	150-11
Integral Alternator Regulator (IAR) (4.9L)	C153, C154		Front RH side of engine	151- 2- D1	150-10
Integral Alternator Regulator (IAR) (5.0L)(5.8L)	C153, C154		Front RH side of engine	151- 4- F5	150-10
Integral Alternator Regulator (IAR) (7.5L)	C153, C154		Front RH side of engine	151- 8- D1	150-10
Interval Governor	C150	17C476	Behind LH side of I/P, near windshield wiper/washer switch	151-10-B 10	
Knock Sensor (4.9L)	C1009	12A699	LH side of engine, near ignition coil	151- 1- F7	
Knock Sensor (5.0L)(5.8L)	C1009	12A699	Center rear of engine, behind intake manifold	151- 4- A4	
Leece/Neville Alternator	C1050, C1051	10306	Front RH side of engine	151- 9- D2	
License Lamps	C435, C436		Rear of vehicle, on respective sides	151- 11- E9	
Low Vacuum Warning Switch	C1010	12A182	RH side of engine compartment, near voltage regulator	151- 9- F4	
Main Light Switch	C273	11654	LH side of I/P, left of steering column	151-10-C10	150-13
Manifold Absolute Pressure (MAP) Sensor (4.9L)	C1011	12A680	RH side of safety wall	151- 1- A1	
Manifold Absolute Pressure (MAP) Sensor (5.0L)(5.8L)	C1011	12A680	RH side of safety wall	151- 4- A3	
Manifold Absolute Pressure (MAP) Sensor (7.3L)	C1011	12A680	RH side of safety wall	151- 5- A3	
Manifold Absolute Pressure (MAP) Sensor	C1011	12A680	RH side of safety wall	151- 7- B1	
Manifold Absolute Pressure (MAP) Sensor	C1012	7A256	Below center of vehicle, LH side of transmission	151- 11- C1	150-13

**100% SATISFACTION GUARANTEED**

**BUY IT NOW!**

**Click Here To Order**

PayPal American Express Discover MasterCard VISA

# LOCATION INDEX 152-12

<u>Component</u>	<u>Connector</u>	<u>Base Part No.</u>	<u>Location</u>	<u>Page Zone</u>	<u>Connector Page</u>
Map/Dome Lamp	C905, C906		Center of headliner	151-13- A6	
Master Tailgate Window Switch	C274	14529	LH side of I/P, near rear window defrost switch	151- 10- A8	150-13
Master Window Control Switch/ Left Door Lock Control Switch	C503	14529	On LH door panel	151- 12- E1	150-23
Multi-function Switch	C219	13K359	Top LH side of steering column	151- 10- F8	150-14
Oil Pressure Switch (4.9L)	C1013	9278	Lower LH rear of engine, near oil filter	151- 2- D9	
Oil Pressure Switch (5.0L) (5.8L)	C1013	9278	Lower LH side of engine, near oil filter	151- 4- D9	
Oil Pressure Switch (7.3L)	C1013	9278	Top LH rear of engine	151- 5- A5	
Oil Pressure Switch (7.5L)	C1013	9278	Top rear of engine	151- 7- A4	
Overdrive Switch	C275		LH center of I/P	151- 10- B6	150-15
Overheat Warning Switch	C1014		LH front of engine	151- 6- D9	
Park Brake Switch	C276	15A851	Behind LH side of I/P, top of park brake pedal	151-10-D10	
Plugged Fuel Filter Switch	C1015		RH side of engine, in fuel filter housing	151- 5- B2	
Power Steering Pressure Switch	C1016	3783	Lower LH front of engine compartment	*	
RABS Rear Axle Sensor	C425	19E761	Below rear of vehicle, top of differential	151- 11- B8	
RABS Test Connector (4.9L)	C143	14A624	LH side of engine compartment, on relay bracket	151- 2- C9	
RABS Test Connector (5.0L) (5.8L)	C143	14A624	LH side of engine compartment, on relay bracket	151- 4-C10	
RABS Test Connector (7.3L)	C143	14A624	LH side of engine compartment, on relay bracket	151- 5- C9	
RABS Test Connector (7.5L)	C143	14A624	LH side of engine compartment, on relay bracket	151- 7- D9	
RABS Valve Assembly	C158		On LH frame rail, near transmission	151- 11- C1	
Radio	C257, C258	19159	Center of I/P	151- 10- F4	150-15
Radio Capacitor (4.9L)	C1017	18832	LH side of engine, near ignition coil	151- 1- F5	
Radio Capacitor (5.0L) (5.8L)	C1017	18832	LH side of engine, near ignition coil	151- 3- A8	
Radio Capacitor (7.3L)	C1017		RH side of engine compartment, near voltage regulator	*	
Capacitor (7.5L)	C1017	18832	LH side of engine, near ignition coil	151- 8- A7	
	C277		Behind center of I/P, near radio	151- 10- F6	150-16
	C410		Rear of vehicle	*	
	C440, C441		Rear of vehicle, on respective sides	151-11-D10	

**100% SATISFACTION GUARANTEED**

**BUY IT NOW!**

**Click Here To Order**

PayPal American Express Discover MasterCard VISA

# 152-13 LOCATION INDEX

<u>Component</u>	<u>Connector</u>	<u>Base Part No.</u>	<u>Location</u>	<u>Page Zone</u>	<u>Connector Page</u>
Rear Park/Stop/Turn Lamps	C431, C432		Rear of vehicle, on respective sides	151-12-	E8
Rear Speakers	C308, C309		Behind trim panel, respective sides of cargo area	151-12-	A2
Rear Tank Fuel Gauge Sender	C427	9H307	Top of rear fuel tank	151-11-	C9
Rear Tank Fuel Gauge Sender And Pump	C443		In rear fuel tank	*	
Rear Window Defrost Grid	C310, C311		On rear window	*	
Rear Window Defrost Switch	C278	19A328	LH side of I/P, near master tailgate window switch	151-10-	C10 150-16
Right Window Control Switch/Right Door Lock Control Switch	C603	14529	On RH door panel	151-12-	A9 150-23
Seat Belt Retractor Switch	C302		LH front of floor pan, below RH side of LH front seat	151-12-	F5
Side Body Marker Lamps	C411, C412, C413, C420		On respective quarter panels	*	
Speed Control Amplifier	C216, C217	9D843	Behind center of I/P, below radio	151-10-	F5 150-17
Speed Control Servo (4.9L)	C1018	9C735	LH rear of engine compartment, near fender apron	151-2-	B9 150-17
Speed Control Servo (5.0L)(5.8L)	C1018	9C735	LH rear of engine compartment, near fender apron	151-4-	B10 150-17
Speed Control Servo (7.3L)	C1018	9C735	LH rear of engine compartment, near fender apron	151-5-	A9 150-17
Speed Control Servo (7.5L)	C1018	9C735	LH rear of engine compartment, near fender apron	151-7-	C9 150-17
SPOUT Check Connector (4.9L)	C1019	14A464	LH side of engine, near TFI ignition module	151-2-	F7
SPOUT Check Connector (5.0L)(5.8L)	C1019	14A464	Front of engine, near TFI ignition module	151-4-	F6
SPOUT Check Connector (7.5L)	C1019	14A464	Rear of LH fender apron, near TFI ignition module	151-7-	B9
Starter Motor (4.9L)		11002	Lower RH side of engine	*	
Starter Motor (5.0L)(5.8L)		11002	Lower RH side of engine	151-4-	A4
		11001	Lower RH side of engine	*	
		12B598	Front of RH fender apron	151-2-	C1
		12B598	Front of RH fender apron	151-4-	D2
		12B598	Front of RH fender apron	151-6-	D1

**100% SATISFACTION GUARANTEED**

**BUY IT NOW!**

**Click Here To Order**

PayPal American Express Discover MasterCard VISA

# LOCATION INDEX 152-14

<u>Component</u>	<u>Connector</u>	<u>Base Part No.</u>	<u>Location</u>	<u>Page Zone</u>	<u>Connector Page</u>
Starter Relay (7.5L)		12B598	Front of RH fender apron	151- 7-	C1
Stop Lamp Switch	C279	13480	Behind LH side of I/P, top of brake pedal	151- 10-	B8
Tailgate Latch Switch	C428		In LH side of tailgate, top of latch assembly	151- 12-	F8
Tailgate Power Window Motor	C429		In center of tailgate	151-12-E	10
Tailgate Window Switch	C430	14A046	In LH side of tailgate	151- 12-	F8
TECA Power Relay	C1020	14A094	LH side of engine compartment, on relay bracket	151- 5-	C9 ..... 150-18
TFI Ignition Module (4.9L)	C1021	9F479	LH side of engine, under distributor	151- 1-	F7 ..... 150-18
TFI Ignition Module (5.0L)(5.8L)	C1021	9F479	Front of engine, under distributor	151- 3-	F7 ..... 150-18
TFI Ignition Module (7.5L)	C1021	12B582	Rear of LH fender apron	151- 7-	B9 ..... 150-18
Thermactor Air Bypass (TAB) Solenoid (4.9L)	C1022	9H465	LH side of engine, near valve cover	151- 2-	A5
Thermactor Air Bypass (TAB) Solenoid (5.0L)(5.8L)	C1022	9H465	LH side of engine, on ignition coil support bracket	151- 3-	A6
Thermactor Air Bypass (TAB) Solenoid (7.5L)	C1022	9H465	LH side of engine, near ignition coil	151- 7-	A6
Thermactor Air Diverter (TAD) Solenoid (4.9L)	C1023	9H465	LH rear of engine, near valve cover	151- 1-	A6
Thermactor Air Diverter (TAD) Solenoid (5.0L)(5.8L)	C1023	9H465	LH side of engine, on ignition coil support bracket	151- 4-	A6
Throttle Position Sensor (TPS) (4.9L)	C1024	9B989	LH rear of engine, on throttle body	151- 2-	A4
Throttle Position Sensor (TPS) (5.0L)(5.8L)	C1024	9B989	Top center of engine, on throttle body	151- 3-	F5
Throttle Position Sensor (TPS) (7.5L)	C1024	9B989	Top LH side of engine, on side of throttle body	151- 7-	A5
Trailer Marker Lamps Relay	C1025	13A025	LH side of engine compartment, on relay bracket	*	..... 150-18
Trailer Case Assembly	C220	1356	Below center of vehicle, on rear of transmission	*	..... 150-19
	C1027		LH side of safety wall, below brake fluid reservoir	151- 6-	A9 ..... 150-20

**100% SATISFACTION GUARANTEED**

**BUY IT NOW!**

**Click Here To Order**

PayPal Discover American Express MasterCard VISA

# 152-15 LOCATION INDEX

<u>Component</u>	<u>Base Part No.</u>	<u>Location</u>	<u>Page Zone</u>	<u>Connector Page</u>
Turn Flasher .....	13350	..... Behind LH side of I/P, on fuse panel .....	151-10-C10	
Vehicle Speed Sensor (Automatic) ...	C1028	..... 9E731 .....	Below center of vehicle, LH rear of transmission .....	151-11- A6
Vehicle Speed Sensor (Manual) .....	C1028	..... 9E731 .....	Below center of vehicle, on rear of transmission .....	151-11- D3
VIP Test Connector C198 (4.9L) .....	14489	..... LH side of engine compartment, on relay bracket .....	151- 1-D10	..... 150-22
VIP Test Connector C198 (5.0L) (5.8L) .....	14489	..... LH side of engine compartment, on relay bracket .....	151- 3- C9	..... 150-22
VIP Test Connector C198 (7.3L) .....	14489	..... LH side of engine compartment, on relay bracket .....	151- 5- D9	..... 150-22
VIP Test Connector C198 (7.5L) .....	14489	..... LH side of engine compartment, on relay bracket .....	151- 8- D9	..... 150-22
VIP Test Connector C199 (4.9L) .....	14489	..... LH side of engine compartment, on relay bracket .....	151 - 1-D10	..... 150-22
VIP Test Connector C199 (5.0L) (5.8L) .....	14489	..... LH side of engine compartment, on relay bracket .....	151- 3- C9	..... 150-22
VIP Test Connector C199 (7.3L) .....	14489	..... LH side of engine compartment, on relay bracket .....	151- 5- D9	..... 150-22
VIP Test Connector C199 (7.5L) .....	14489	..... LH side of engine compartment, on relay bracket .....	151- 8- D9	..... 150-22
Voltage Regulator .....	C1029	..... 10316 .....	RH side of engine compartment, near starter relay .....	151- 9- F5
Warning Chime Module .....	C280	..... 10D840 ...	Behind LH side of I/P, near RH side of steering column .....	151-10- B6
Washer Pump Motor (4.9L) .....	C1030	..... 17664 .....	LH front of engine compartment, in windshield washer fluid reservoir .....	151- 2-E10
Pump Motor (5.0L) (5.8L) .....	C1030	..... 17664 .....	LH front of engine compartment, in windshield washer fluid reservoir .....	151- 3-E10
.....	C1030	..... 17664 .....	LH side of engine compartment, in windshield washer fluid reservoir .....	151- 6- D9
.....	C1030	..... 17664 .....	LH front of engine compartment, in windshield washer fluid reservoir .....	151- 8-E10

**100% SATISFACTION GUARANTEED**

**BUY IT NOW!**

**Click Here To Order**

PayPal American Express Discover MasterCard VISA

# LOCATION INDEX 152-16

<u>Component</u>	<u>Base Part No.</u>	<u>Location</u>	<u>Page Zone</u>	<u>Connector Page</u>
Window Motors	C500, C600	In front of respective front doors	151-12-	E2
Windshield Wiper Motor (4.9L)	C151, C152	17504 LH side of safety wall	151- 2-	A6 150-24
Windshield Wiper Motor (5.0L) (5.8L)	C151, C152	17504 LH side of safety wall	151- 3-	A7 150-24
Windshield Wiper Motor (7.3L)	C151, C152	17504 LH side of safety wall	151- 5-	A6 150-24
Windshield Wiper Motor (7.5L)	C151, C152	17504 LH side of safety wall	151- 8-	A6 150-24
Windshield Wiper/Washer Controls Lamp	C290	LH side of I/P	151-10-	B10
Windshield Wiper/Washer Switch	C281	17A553 LH side of I/P, near main light switch	151-10-	B10 150-24

★ No Figure Available

<u>Connector</u>	<u>Location</u>	<u>Page Zone</u>	<u>Connector Page</u>	<u>Color</u>	<u>Terminal</u>
C100 (4.9L)	LH side of safety wall, above brake fluid reservoir	151- 2-	A8	GY	4
C100 (5.0L) (5.8L)	LH side of safety wall, above brake fluid reservoir	151- 4-	A8	GY	4
C100 (7.3L)	LH side of safety wall, above brake fluid reservoir	151- 6-	A7	GY	4
C100 (7.5L)	LH side of safety wall, above brake fluid reservoir	151- 8-	A8	GY	4
C101 (4.9L)	LH side of engine compartment, side of wheel well	151- 1-	C9	GY	8
C101 (5.0L) (5.8L)	LH side of engine compartment, side of wheel well	151- 3-	B9	GY	8
C101 (7.5L)	LH side of engine compartment, side of wheel well	151- 8-	B9	GY	8
C102 (4.9L)	LH side of engine compartment, rear of wheel well	151- 2-	B9	GY	4
C102 (5.0L) (5.8L)	LH side of engine compartment, side of wheel well	151- 4-	C9	GY	4
C102 (7.3L)	LH side of engine compartment, rear of wheel well	151- 5-	B9	GY	4
C102 (7.5L)	LH side of engine compartment, side of wheel well	151- 7-	C9	GY	4
C103 (4.9L)	LH side of engine compartment, top of wheel well	151- 1-	B9	BK	8
C103 (5.0L) (5.8L)	LH side of engine compartment, top of wheel well	151- 3-	C9	BK	8
C103 (7.3L)	LH side of engine compartment, side of wheel well	151- 5-	B9	BK	8
C103 (7.5L)	LH side of engine compartment, top of wheel well	151- 8-	C9	BK	8
C104 (4.9L)	RH rear of engine compartment, near blower motor	151- 2-	B1	BK	4
C104 (5.0L) (5.8L)	RH rear of engine compartment, near blower motor	151- 3-	B1	BK	4
C104 (7.3L)	RH rear of engine compartment, near blower motor	151- 6-	B1	BK	4
C104 (7.5L)	RH rear of engine compartment, near blower motor	151- 8-	B2	BK	4
C105 (4.9L)	RH side of engine compartment, top of wheel well	151- 6-	C1	BK	4
C105 (5.0L) (5.8L)	LH side of engine compartment, side of wheel well	151- 2-	B9	BK	8
C105 (7.3L)	LH side of engine compartment, side of wheel well	151- 4-	C9	BK	8

**100% SATISFACTION GUARANTEED**

**BUY IT NOW!**

**Click Here To Order**

PayPal American Express Discover MasterCard VISA

# 152-17 LOCATION INDEX

<u>Connector</u>	<u>Location</u>	<u>Page Zone</u>	<u>Connector Page</u>	<u>Color</u>	<u>Terminal</u>
C106 (7.5L)	LH side of engine compartment, side of wheel well	151- 7- C9		BK	8
C107 (4.9L)	RH side of engine compartment, behind battery	151- 2- D1		BK	1
C107 (5.0L)(5.8L)	RH side of engine compartment, behind battery	151- 3- D1		BK	1
C107 (7.3L)					
(With 165 Amp Alternator)	RH side of engine compartment, behind battery	151- 9- E9		BK	1
C107 (7.3L)					
(Without 165 Amp Alternator)	RH side of engine compartment, behind battery	151- 6- B2		BK	1
C108	RH side of engine compartment, near voltage regulator	151- 9- B3		GY	8
C110 (4.9L)	LH side of engine compartment, top of wheel well	151- 1-C10		BK	8
C110 (5.0L)(5.8L)	LH side of engine compartment, top of wheel well	151- 3- C9		BK	8
C110 (7.5L)	LH side of engine compartment, top of wheel well	151- 8- C9		BK	8
C113 (4.9L)	LH side of engine compartment, side of wheel well	151- 1-C10		GY	8
C113 (5.0L)(5.8L)	LH side of engine compartment, side of wheel well	151- 3- C9		GY	8
C113 (7.5L)	LH side of engine compartment, side of wheel well	151- 8- C9		GY	8
C114	RH front of engine compartment	*		BK	4
C115	RH side of engine compartment, near voltage regulator	151- 9- A5		GY	4
C117	Below center of vehicle, near LH rear of transmission	151-11- A3		GY	4
C119	RH side of engine compartment, near voltage regulator	151- 9- B3		GY	8
C121	Front of engine, near distributor	*		BK	8
C122 (4.9L)	LH side of engine compartment, side of wheel well	151- 2- C9		BK	8
C122 (5.0L)(5.8L)	LH side of engine compartment, side of wheel well	151- 4- C9		BK	8
C122 (7.5L)	LH side of engine compartment, side of wheel well	151- 7- C9		BK	8
C125	Center rear of engine, on valve cover	151- 1- A5		BK	8
C127	Below center of vehicle, near LH side of transmission	*		GY	8
C129	LH side of engine compartment, top of wheel well	151-11- A2		GR	8
C129 (7.3L)	LH side of engine compartment, side of wheel well	151- 5- C9		GR	8
C133 (4.9L)	LH side of engine compartment, rear of wheel well	151- 1-B10		BK	8
C133 (5.0L)(5.8L)	LH side of engine compartment, rear of wheel well	151- 3- B9		BK	8
C133 (7.3L)	LH side of engine compartment, rear of wheel well	151- 5- B9		BK	8
C133 (7.5L)	LH side of engine compartment, rear of wheel well	151- 8- B9		BK	8
	LH side of engine compartment, rear of wheel well	151- 1-B10		BR	8
	LH side of engine compartment, rear of wheel well	151- 3- B9		BR	8
	LH side of engine compartment, rear of wheel well	151- 5- B9		BR	8
	LH side of engine compartment, rear of wheel well	151- 8- B9		BR	8
	RH side of engine compartment, near voltage regulator	151- 5- C2		BK	12

**100% SATISFACTION GUARANTEED**

**BUY IT NOW!**

**Click Here To Order**

PayPal American Express Discover MasterCard VISA

# LOCATION INDEX 152-18

<u>Connector</u>	<u>Location</u>	<u>Page Zone</u>	<u>Connector Page</u>	<u>Color</u>	<u>Terminal</u>
C139 (4.9L)	RH side of engine compartment, near battery	151- 2- C1		BK	1
C139 (5.0L) (5.8L)	RH side of engine compartment, near battery	151- 3- D1		BK	1
C139 (7.5L)	RH side of engine compartment, near battery	151- 7- C1		BK	1
C143 RABS Test Connector (4.9L)	LH side of engine compartment, on relay bracket	151- 2- C9		BK	2
C143 RABS Test Connector (5.0L) (5.8L)	LH side of engine compartment, on relay bracket	151- 4-C10		BK	2
C143 RABS Test Connector (7.3L)	LH side of engine compartment, on relay bracket	151- 5- C9		BK	2
C143 RABS Test Connector (7.5L)	LH side of engine compartment, on relay bracket	151- 7- D9		BK	2
C149	LH rear of engine compartment, near electronic engine control (EEC) module	*		BK	4
C150	Behind top LH side of I/P	*		BK	7
C151 (4.9L)	LH side of safety wall, on windshield wiper motor	151- 2- A7	150-24	GY	3
C151 (5.0L) (5.8L)	LH side of safety wall, on windshield wiper motor	151- 4- A7	150-24	GY	3
C151 (7.3L)	LH side of safety wall, on windshield wiper motor	151- 5- A7	150-24	GY	3
C151 (7.5L)	LH side of safety wall, on windshield wiper motor	151- 7- A7	150-24	GY	3
C152 (4.9L)	LH side of safety wall, on windshield wiper motor	151- 1- A7	150-24	BK	3
C152 (5.0L) (5.8L)	LH side of safety wall, on windshield wiper motor	151- 4- A7	150-24	BK	3
C152 (7.3L)	LH side of safety wall, on windshield wiper motor	151- 5- A7	150-24	BK	3
C152 (7.5L)	LH side of safety wall, on windshield wiper motor	151- 8- A6	150-24	BK	3
C153 (4.9L)	RH front of engine, on integral alternator regulator (IAR)	151- 2- F4	150-10	BK	3
C153 (5.0L) (5.8L)	RH front of engine, on integral alternator regulator (IAR)	151- 4- F4	150-10	BK	3
C153 (7.5L)	RH front of engine, on integral alternator regulator (IAR)	151- 8- F5	150-10	BK	3
C154 (4.9L)	RH front of engine, on integral alternator regulator (IAR)	151- 2- F5	150-10	BK	3
C154 (5.0L) (5.8L)	RH front of engine, on integral alternator regulator (IAR)	151- 4- F4	150-10	BK	3
C154 (7.5L)	RH front of engine, on integral alternator regulator (IAR)	151- 8- F4		BK	3
C158	On LH frame rail, near RABS valve assembly cover	151-11- D4		BK	4
C159 Anti-lock Test Connector	Behind LH side of I/P, near C202	151-10- F9		BK	1
C160 (4.9L)	LH side of engine compartment, rear of wheel well	151- 2- A8		BK	4
C160 (5.0L) (5.8L)	LH side of engine compartment, rear of wheel well	151- 4- A8		BK	4
C160 (7.5L)	LH side of engine compartment, rear of wheel well	151- 7- C9		BK	4
	Below vehicle, on 4x4 indicator switch	151-11- B6		BK	2
	RH rear of engine compartment, on A/C clutch cycling pressure switch	151- 1- B1		GY	3
	RH rear of engine compartment, on A/C clutch cycling pressure switch	151- 4- B2		GY	3

**100% SATISFACTION GUARANTEED**

**BUY IT NOW!**

**Click Here To Order**

PayPal   Discover   MasterCard   VISA

# 152-19 LOCATION INDEX

<u>Connector</u>	<u>Location</u>	<u>Page Zone</u>	<u>Connector Page</u>	<u>Color</u>	<u>Terminal</u>
C162 (7.3L)	RH rear of engine compartment, on A/C clutch cycling pressure switch	151- 6- A1		GY	3
C162 (7.5L)	RH rear of engine compartment, on A/C clutch cycling pressure switch	151- 7- B1		GY	3
C163 (4.9L)	LH front of engine, on A/C clutch field coil	151- 2- F6		BK	2
C163 (5.0L)(5.8L)	LH front of engine, on A/C clutch field coil	151- 3-D10		BK	2
C163 (7.3L)	LH front of engine, on A/C clutch field coil	151- 5- D9		BK	2
C163 (7.5L)	LH front of engine, on A/C clutch field coil	151- 8- F7		BK	2
C164 (4.9L)	Front RH side of engine, on air charge temperature (ACT) sensor	151- 1- E1		BK	2
C164 (5.0L)(5.8L)	Top center front of engine, on air charge temperature (ACT) sensor	151- 4- F5		BK	2
C164 (7.5L)	Center of engine, on air charge temperature (ACT) sensor	151- 7- F5		BK	2
C166	Below center of vehicle, on backup lamp switch	151-11- E4		BK	2
C167	Below vehicle, on backup/neutral safety switch	151-11- C1	... 150- 1	BK	5
C168 (4.9L)	RH side of safety wall, on blower motor	151- 1- C1		BK	2
C168 (5.0L)(5.8L)	RH side of safety wall, on blower motor	151- 4- B2		BK	2
C168 (7.3L)	RH side of safety wall, on blower motor	151- 5- A1		BK	2
C169 (4.9L)	RH side of safety wall, on blower motor resistor	151- 2- A1		W	4
C169 (5.0L)(5.8L)	RH side of safety wall, on blower motor resistor	151- 3- B1		W	4
C169 (7.5L)	RH side of safety wall, on blower motor resistor	151- 8- B1		W	4
C169 (7.3L)	RH side of safety wall, on blower motor resistor	151- 5- A2		W	4
C170 (4.9L)	LH rear of engine compartment, on brake fluid level switch	151- 1-A10		GY	3
C170 (5.0L)(5.8L)	LH rear of engine compartment, on brake fluid level switch	151- 3- B9		GY	3
C170 (7.3L)	LH rear of engine compartment, on brake fluid level switch	151- 6- B9		GY	3
C170 (7.5L)	LH rear of engine compartment, on brake fluid level switch	151- 8-B10		GY	3
C171 (4.9L)	RH side of engine compartment, on canister purge solnoid	*		BK	2
C171 (5.0L)(5.8L)	Front RH side of engine, on canister purge solenoid	151- 4- C2		BK	2
C171 (7.5L)	RH side of engine, on canister purge solenoid	151- 8- C1		BK	2
	On RH fender apron, on charge indicator lamp relay	151- 9- C9		BL	4
	LH rear of engine compartment, near hood hinge	*		BK	4
	Top center front of engine, on cold idle solenoid	151- 6- F5			
	Top LH side of I/P, on cold timing advance solenoid	151- 6- F6			
	RH rear of engine, on coolant temperature sender	151- 2- B1		BK	1
	Front LH side of engine, on coolant temperature sender	151- 3- D9		BK	1

**100% SATISFACTION GUARANTEED**

**BUY IT NOW!**

**Click Here To Order**

PayPal American Express Discover MasterCard VISA

# LOCATION INDEX 152-20

<u>Connector</u>	<u>Location</u>	<u>Page Zone</u>	<u>Connector Page</u>	<u>Color</u>	<u>Terminal</u>
C176 (7.3L)	Front LH side of engine, on coolant temperature sender	151- 6- F8		BK	1
C176 (7.5L)	Front LH side of engine, on coolant temperature sender	151- 8- F6		BK	1
C177 (4.9L)	Front LH side of lower radiator support, on daytime running lamps (DRL) module	151- 2- F7	150- 2	BK	8
C177 (5.0L) (5.8L)	Front LH side of lower radiator support, on daytime running lamps (DRL) module	151- 4- F7	150- 2	BK	8
C177 (7.3L)	Front LH side of lower radiator support, on daytime running lamps (DRL) module	151- 5- F9	150- 2	BK	8
C177 (7.5L)	Front LH side of lower radiator support, on daytime running lamps (DRL) module	151- 7- E9	150- 2	BK	8
C178	Center front of engine, on distributor	151- 8-D10		GY	8
C179 (4.9L)	LH side of engine compartment, on EEC power relay	151- 1-C10	150- 2	BR	5
C179 (5.0L) (5.8L)	LH side of engine compartment, on EEC power relay	151- 3- C9	150- 2	BR	5
C179 (7.5L)	LH side of engine compartment, on EEC power relay	151- 8- C9	150- 2	BR	5
C180 (4.9L)	LH rear of engine, on EGR control solenoid	151- 1- A8		BK	2
C180 (5.0L) (5.8L)	LH side of engine, on EGR control soloenoid	151- 4- A5		BK	2
C181	LH rear of engine, on EGR vacuum regulator (EVR) solenoid	151- 7- A6		BK	2
C182 (4.9L)	Top LH rear of engine, on EGR valve position sensor	151- 1- A4		BK	4
C182 (5.0L) (5.8L)	Front RH side of engine, on EGR valve posiiton sensor	151- 3- C1		BK	4
C182 (7.5L)	LH rear of engine, on EGR valve position (EVP) sensor	151- 7- A6		BK	4
C183 (4.9L)	Center front of engine, on engine coolant temperature (ECT) sensor	151- 1- F4		BK	2
C183 (5.0L) (5.8L)	Center front of engine, on engine coolant temperature (ECT) sensor	151- 4- D2		BK	2
C183 (7.5L)	Center front of engine, on engine coolant temperature (ECT) sensor	151- 7- F4		BK	2
C184	Top LH front of engine, on engine RPM sensor	151- 5- F7		BK	2
C185 (4.9L)	LH side of safety wall, on electronic engine control (EEC) module	151- 2- A9	150- 3	GY	60
(5.0L) (5.8L)	LH side of safety wall, on electronic engine cotrol (EEC) module	151- 3- A9	150- 3	GY	60
	LH side of safety wall, on electronic engine control (EEC) module	151- 7- A8	150- 5	GY	60
	Top RH front of engine, on engine temperature switch	151- 5- F4			



**BUY IT NOW!**

[Click Here To Order](#)

NO FEES AVAILABLE



# 152-21 LOCATION INDEX

<u>Connector</u>	<u>Location</u>	<u>Page Zone</u>	<u>Connector Page</u>	<u>Color</u>	<u>Terminal</u>
C187	LH side of engine, on fuel injection pump lever (FIPL) sensor	151- 6- F7		BK	3
C188	Front RH side of engine, on fuel line heater	*			
C189 (4.9L)	LH side of engine compartment, on fuel pump relay	151- 2- D9	150- 8	GR	5
C189 (5.0L) (5.8L)	LH side of engine compartment, on fuel pump relay	151- 4- D9	150- 8	GR	5
C189 (7.5L)	LH side of engine compartment, on fuel pump relay	151- 7- D9	150- 8	GR	5
C190	Top of engine, on fuel injector #1	151- 3- A5		BK	2
C191	Top of engine, on fuel injector #2	151- 3- A5		BK	2
C192	Top of engine, on fuel injector #3	151- 3- A5		BK	2
C193	Top of engine, on fuel injector #4	151- 3- A5		BK	2
C194	Top of engine, on fuel injector #5	151- 3- A5		BK	2
C195	Top of engine, on fuel injector #6	151- 3- A5		BK	2
C196	Top of engine, on fuel injector #7	151- 3- A5		BK	2
C197	Top of engine, on fuel injector #8	151- 3- A5		BK	2
C198 VIP Test Connector (4.9L)	LH side of engine compartment, on relay bracket	151- 1-D10	150-22	BK	6
C198 VIP Test Connector (5.0L) (5.8L)	LH side of engine compartment, on relay bracket	151- 3- C9	150-22	BK	6
C198 VIP Test Connector (7.3L)	LH side of engine compartment, on relay bracket	151- 5- D9	150-22	Bk	6
C198 VIP Test Connector (7.5L)	LH side of engine compartment, on relay bracket	151- 8- D9	150-22	BK	6
C199 VIP Test Connector (4.9L)	LH side of engine compartment, on relay bracket	151- 1-D10	150-22	GY	1
C199 VIP Test Connector (5.0L) (5.8L)	LH side of engine compartment, on relay bracket	151- 3- C9	150-22	GY	1
C199 VIP Test Connector (7.3L)	LH side of engine compartment, on relay bracket	151- 5- D9	150-22	GY	1
C199 VIP Test Connector (7.5L)	LH side of engine compartment, on relay bracket	151- 8- D9	150-22	GY	1
C200	Behind LH cowl panel	151-10-E10		BR	6
C201	Behind LH cowl panel	151-10-E10		BR	2
C202 (4.9L)	LH rear of engine compartment, in safety wall	151- 1- A9		N	53
C202 (5.0L) (5.8L)	LH rear of engine compartment, in safety wall	151- 3- A8		N	53
C202 (7.3L)	LH rear of engine compartment, in safety wall	151- 6- B9		N	53
C202 (7.5L)	LH rear of engine compartment, in safety wall	151- 7- A7		N	53
	Behind RH cowl panel	151-10- F2		BR	6
	Behind center of I/P, near radio	151-10- F5			3
	Behind LH side of I/P, near LH side of steering column	151-10-D10		BK	7
	Behind LH side of I/P, on fuse panel	151-10-D10		N	1
	Behind LH side of I/P, on fuse panel	151-10-D10		BL	1

**100% SATISFACTION GUARANTEED**

**BUY IT NOW!**

**Click Here To Order**

PayPal American Express Discover MasterCard VISA

# LOCATION INDEX 152-22

<u>Connector</u>	<u>Location</u>	<u>Page Zone</u>	<u>Connector Page</u>	<u>Color</u>	<u>Terminal</u>
C209	Behind RH cowl panel	151-10- E1		GY	8
C211	Behind LH cowl panel	151-10-E10		GY	2
C212	Behind LH cowl panel	151-12- A3		GY	8
C213	Behind RH cowl panel	151-12- A6		GR	8
C216	Behind center of I/P, on speed control amplifier	151-10- F6	150- 17	GR	6
C217	Behind center of I/P, on speed control amplifier	151-10- F5	150- 17	N	8
C218	Behind LH side of I/P, near C202	151-10- F9		BK	8
C219	Top LH side of steering column, on multi-function switch	★	150- 14		
C220	Below center of vehicle, near transfer case assembly	★	150- 19		
C221	Behind RH cowl panel, on electronic shift control module	151-12- A6	150- 7	N	8
C222	Behind RH cowl panel, on electronic shift control module	151-12- A5	150- 7	GY	8
C223	Behind RH cowl panel, on electronic shift control module	151-12- A6	150- 7	BR	5
C224	Behind RH cowl panel	151-10- E1		GY	2
C226	Behind LH side of I/P, taped to harness	151-10-F10		BK	3
C227	Behind LH cowl panel	151-10-E10		GY	2
C228	Behind RH cowl panel	151-10- F3		GY	2
C229	Behind LH cowl panel	151-10-E10		GY	4
C230	Below RH side of driver's seat	151-12- F5		GY	2
C250 (Diesel Engine)	Behind top LH side of I/P, on instrument cluster	151-10- A8	150- 12	GY	14
C250 (Gasoline Engines)	Behind top LH side of I/P, on instrument cluster	151-10- A8	150- 11	GY	14
C251 (Diesel Engine)	Behind top LH side of I/P, on instrument cluster	151-10- A8	150- 12	BR	14
C251 (Gasoline Engines)	Behind top LH side of I/P, on instrument cluster	151-10- A8	150- 11	BR	14
C257	Behind center of I/P, on radio	151-10- F4	150- 15	BK	8
C258	Behind center of I/P, on radio	151-10- F5	150- 15	BK	8
C260	Center of I/P, on blower switch	151-10- B4	150- 1	GY	5
C261	Behind LH side of I/P, on clutch interlock switch	151-10- F7	150- 1	BK	6
C261	Behind LH side of I/P, on clutch interlock switch jumper	151-10- F7		BK	6
C262	On front of RH door jamb, on right courtesy lamp switch	151-12- A6		N	3
C263	On front of LH door jamb, on left courtesy lamp switch			N	3
	Behind LH side of I/P, on diesel warning lamp display	151-10- A6		GY	4
	Front LH side of floor pan, on dimmer switch	151-10-F10		BK	3
	LH side of I/P, on electronic shift control switch	151-10- A5	150- 8	BK	5
	LH side of I/P, on fuel tank selector switch	151-10- A9	150- 9	GY	6
	Top RH side of steering column, on ignition switch	151-10- F6	150- 10	BK	11
	Behind RH side of I/P, on horn relay	151-10- C1	150- 9	BR	5



BUY IT NOW!

Click Here To Order



# 152-23 LOCATION INDEX

<u>Connector</u>	<u>Location</u>	<u>Page Zone</u>	<u>Connector Page</u>	<u>Color</u>	<u>Terminal</u>
C271	Behind LH side of I/P, on inertia switch	151-10-	F8	GY	3
C273	Behind LH side of I/P, on main light switch	151-10-	C10	GY	9
C274	LH side of I/P, on master tailgate window switch	151-10-	A8 ... 150-13	GY	5
C275	Behind LH center of I/P, on overdrive switch	151-10-	B6 ... 150-15	GY	6
C276	Behind LH side of I/P, on park brake switch	151-10-	D10	BK	1
C277	Behind center of I/P, on rear anti-lock brakes (RABS) module	151-10-	F6 ... 150-16	BK	14
C278	Behind LH side of I/P, on rear window defrost switch	151-10-	C10 ... 150-16	W	5
C279	Behind LH side of I/P, on stop lamp switch	151-10-	B8	BK	2
C280	Behind LH side of I/P, on warning chime module	151-10-	B6 ... 150-19	GY	7
C281	Behind LH side of I/P, on windshield/washer switch	151-10-	B10	BK	7
C290	Behind LH side of I/P, on windshield wiper/washer controls lamp	151-10-	B10	BK	2
C292	Behind RH side of I/P, on glove compartment lamp	151-10-	A2	BR	2
C293	Behind center of I/P, on ashtray illumination	*		BK	2
C294	Behind center of I/P, on cigar lighter	*		BK	1
C295	Behind RH side of I/P, on hazard flasher	151-10-	D1	BK	2
C296	Behind center of I/P, on A/C-heater control assembly	151-10-	B4	W	4
C297	Behind center of I/P, on heater control assembly	*		W	4
C298	Behind center of I/P, on heater controls illumination	*		BR	2
C300	At base of LH "B" pillar	151-12-	E4	GY	4
C301	At base of LH "B" pillar	151-12-	E4	GY	4
C307 (Bronco)	Behind trim panel on LH side of cargo area, on cargo lamp	151-12-	F5	BK	2
C307 (Pickup)	Behind rear of headliner, on cargo lamp	151-13-	A7	BK	2
C308	Behind trim panel, on right rear speaker	151-12-	A2	GY	2
C309	Behind trim panel, on left rear speaker	151-12-	A7	GY	2
C310	Near rear window, on rear window defrost grid	*		BK	1
C311	Near rear window, on rear window defrost grid	*		BK	1
C400	Below LH rear of vehicle, near rear crossmember	151-11-	E8	BK	4
C401	Below LH rear of vehicle, near rear crossmember	151-11-	E7	GY	8
	Below LH rear of vehicle, near center crossmember	*		BL	4
	Below rear of vehicle, on RH frame rail	151-11-	E10	GY	4
	Below rear of vehicle, on LH frame rail	151-12-	E6	GY	8
	Below LH rear of vehicle, near rear crossmember	151-11-	E8	GY	4

**100% SATISFACTION GUARANTEED**

**BUY IT NOW!**

**Click Here To Order**

PayPal American Express Discover MasterCard VISA

# LOCATION INDEX 152-24

<u>Connector</u>	<u>Location</u>	<u>Page Zone</u>	<u>Connector Page</u>	<u>Color</u>	<u>Terminal</u>
C408	Below RH rear corner of vehicle	151-13-E10		BK	4
C409	Below LH rear corner of vehicle	*		BK	4
C410	Below center rear of vehicle, near rear body marker lamps	*		BK	4
C411	In LH rear quarter panel, forward of wheel well	*		BK	4
C412	In LH rear quarter panel, rear of wheel well	*		BK	4
C413	In RH rear quarter panel, forward of wheel well	*		BK	4
C414	On LH frame rail, near shock absorber	151-11- E6		BK	2
C415	Below rear of vehicle, on LH frame rail	151-12- E6		BK	1
C416	LH rear of vehicle, near rear light assembly	151-12- F7		BK	1
C417	Below LH rear of vehicle, near rear crossmember	151-11- E8		GY	4
C418	LH rear of vehicle, near rear light assembly	151-11- E9		GY	3
C419	Below LH rear of vehicle, near rear crossmember	151-13-B10		BK	1
C420	In RH rear quarter panel, rear of wheel well	*		BK	4
C421	Top of front fuel tank, on front tank fuel gauge sender	151-11- F5		GY	2
C422	Top of fuel tank, on fuel gauge sender and pump	151-11- E5		GY	4
C423	On LH frame rail, on fuel tank selector valve	151-11- C6	... 150- 9	GY	6
C425	Below rear of vehicle, on RABS rear axle sensor	151-11- B8		BK	2
C427	Top of rear fuel tank, on rear tank fuel gauge sender	151-11- C9		GY	2
C428	In LH side of tailgate, on tailgate latch switch	151-12- F8		BK	2
C429	In center of tailgate, on tailgate power window motor	151-12-E10		GY	2
C430	In LH side of tailgate, on tailgate window switch	151-12- F8			
C431	Rear of vehicle, on left rear park/stop/turn lamp	151-12- E8		BK	3
C432	Rear of vehicle, on right rear park/stop/turn lamp	151-12-C10		BK	3
C433 (With Chassis Cab)	Rear of vehicle, on left backup lamp	151-12- F7		BK	1
C433 (Without Chassis Cab)	Rear of vehicle, on left backup lamp	151-12- F7		BK	2
C434 (With Chassis Cab)	Rear of vehicle, on right backup lamp	151-12-D10		BK	1
C434 (Without Chassis Cab)	Rear of vehicle, on right backup lamp	151-12-D10		BK	2
C435	Rear of vehicle, on license lamp	151-11- E9		BK	2
	Rear of vehicle, on license lamp	151-12- F9		BK	2
	Rear of vehicle, on right rear park lamp	151-11-D10		BK	2
	Rear of vehicle, on left rear park lamp	151-11- F9		BK	2
	In front fuel tank, on front tank fuel gauge sender and pump	*		GY	4
	In rear fuel tank, on rear tank fuel gauge sender and pump	*		GY	4

**100% SATISFACTION GUARANTEED**

**BUY IT NOW!**

**Click Here To Order**

NO FIGURE AVAILABLE

PayPal American Express Discover MasterCard VISA

# 152-25 LOCATION INDEX

<u>Connector</u>	<u>Location</u>	<u>Page</u> <u>Zone</u>	<u>Connector</u> <u>Page</u>	<u>Color</u>	<u>Terminal</u>
C500	In front of LH door	151-12- E2			2
C502	In LH door, on left door lock motor	151-12- E1		GR	2
C503	In LH door, on master window control switch/left door lock control switch	151-12- E1	... 150-23	BK	15
C505	In LH door, on left front door speaker	151-12-B10		GY	2
C600	In front of RH door	151-12- A7			2
C602	In RH door, on right door lock motor	151-12- A9		GR	2
C603	In RH door, on right window control switch/right door lock control switch	151-12- A9	... 150-23	BK	10
C605	In right door, on right front door speaker	151-12- F4		GY	2
C900	Top of cab, above RH side of windshield header	151-13- A6		BK	2
C901	Top of cab, above RH center of windshield header	151-13- A5		BK	2
C902	Top of cab, above center of windshield header	151-13- A5		BK	2
C903	Top of cab, above LH center of windshield header	151-13- A4		BK	2
C904	Top of cab, above LH side of windshield header	151-13- A4		BK	2
C905 (With Map Lamp)	Center of headliner, on map/dome lamp	151-13- A6		GY	1
C905 (Without Map Lamp)	Center of headliner, on dome lamp	151-13- A6		GY	1
C906 (With Map Lamp)	Center of headliner, on map/dome lamp	151-13- A6		GY	1
C906 (Without Map Lamp)	Center of headliner, on dome lamp	151-13- A6		GY	1
C1000	Top of engine, on fuel shut off solenoid	151- 6- F6			1
C1001	Front RH side of engine, on fuel water switch	151- 6- B2			3
C1002	Top of engine, on glow plug controller	151- 6- A5			6
C1003 (Over 8500 GVW)	Below RH side of vehicle, on heated exhaust gas oxygen (HEGO) sensor	151-11- A5		BK	4
C1003 (Under 8500 GVW)	RH rear of engine compartment, on heated exhaust gas oxygen (HEGO) sensor	*		W	4
C1005	Front LH side of lower radiator support, on low pitch horn	151- 1- F8		BK	1
C1006	Front LH side of lower radiator support, on high pitch horn	151- 1- F8		BK	1
C1007 (4.9L)	LH side of engine, on idle air bypass valve	151- 2- F5		BK	2
(5.0L) (5.8L)	Center of engine, on idle air bypass valve	151- 3- F6		BK	2
	Top center of engine, on idle air bypass valve	151- 8- F5		Bk	2
	Lower LH side of engine, on ignition coil	151- 1- F6		BR	3
	LH rear of engine, on ignition coil	151- 3- A7		BR	3
	LH side of engine, on ignition coil	151- 8- A7		BR	3

**100% SATISFACTION GUARANTEED**

**BUY IT NOW!**

**Click Here To Order**

PayPal American Express Discover MasterCard VISA

# LOCATION INDEX 152-26

<u>Connector</u>	<u>Location</u>	<u>Page Zone</u>	<u>Connector Page</u>	<u>Color</u>	<u>Terminal</u>
C1009 (4.9L)	LH side of engine, on knock sensor	151- 1- F6		BK	2
C1009 (5.0L)	Center rear of engine, on knock sensor	151- 4- A4		BK	2
C1010	RH side of engine compartment, on low vacuum warning switch	151- 9- F4		BK	3
C1011 (4.9L)	RH side of engine compartment, on manifold absolute pressure (MAP) sensor	151- 1- A1		BK	3
C1011 (5.0L) (5.8L)	RH side of engine compartment, on manifold absolute pressure (MAP) sensor	151- 4- A3		BK	3
C1011 (7.3L)	RH side of engine compartment, on manifold absolute pressure (MAP) sensor	151- 5- A3		BK	3
C1011 (7.5L)	RH side of engine compartment, on manifold absolute pressure (MAP) sensor	151- 7- B1		BK	3
C1012	Below center of vehicle, on manual lever position sensor	151-11- C1	... 150-13	BK	8
C1013 (4.9L)	Lower LH rear of engine, on oil pressure switch	151- 2- D6		BVK	1
C1013 (5.0L) (5.8L)	Lower LH side of engine, on oil pressure switch	151- 4- D9		BK	1
C1013 (7.3L)	Top LH rear of engine, on oil pressure switch	151- 5- A5		BK	1
C1013 (7.5L)	Top rear of engine, on oil pressure switch	151- 7- A4		BK	1
C1014	LH front of engine, on overheat warning switch	151- 6- D9			1
C1015	RH side of engine, on plugged fuel filter switch	151- 5- B2			1
C1016	Lower LH front of engine compartment, on power steering pressure switch	*		BK	2
C1017 (4.9L)	LH side of engine, on radio capacitor	151- 1- F5		GY	2
C1017 (5.0L) (5.8L)	LH side of engine, on radio capacitor	151- 3- A8		GY	2
C1017 (7.3L)	RH side of engine compartment, on radio capacitor	*			1
C1017 (7.5L)	LH side of engine, on radio capacitor	151- 8- A7		GY	2
C1018 (4.9L)	LH rear of engine compartment, on speed control servo	151- 2- B9	... 150-17	BR	6
C1018 (5.0L) (5.8L)	LH rear of engine compartment, on speed control servo	151- 4- B10	... 150-17	BR	6
C1018 (7.3L)	LH rear of engine compartment, on speed control servo	151- 5- A9	... 150-17	BR	6
C1018 (7.5L)	LH rear of engine compartment, on speed control servo	151- 7- C9	... 150-17	BR	6
C1019 SPOUT Check Connector					
	LH side of engine, near TFI ignition module	151- 2- F7		BK	2
	Front of engine, near TFI ignition module	151- 4- F6		BK	2
	Rear of LH fender apron, near TFI ignition module	151- 7- B9		BK	2
	LH side of engine compartment, on TECA power relay	151- 5- C9	... 150-18	BR	5

**100% SATISFACTION GUARANTEED**

**BUY IT NOW!**

**Click Here To Order**

PayPal American Express Discover MasterCard VISA

# 152-27 LOCATION INDEX

<u>Connector</u>	<u>Location</u>	<u>Page Zone</u>	<u>Connector Page</u>	<u>Color</u>	<u>Terminal</u>
C1021 (4.9L)	LH side of engine, on TFI ignition module	151- 1- F7	150-18	GY	6
C1021 (7.5L)	Rear of LH fender apron, on TFI ignition module	151- 7- A6	150-18	GY	6
C1022 (4.9L)	LH side of engine, on thermactor air bypass (TAB) solenoid	151- 2- A5		BK	2
C1022 (5.0L) (5.8L)	LH side of engine, on thermactor air bypass (TAB) solenoid	151- 3- A6		BK	2
C1022 (7.5L)	LH side of engine, on thermactor air bypass (TAB) solenoid	151- 7- A6		BK	2
C1023 (4.9L)	LH rear of engine, on thermactor air diverter (TAD) solenoid	151- 1- A6		BK	2
C1023 (5.0L) (5.8L)	LH side of engine, on thermactor air diverter (TAD) solenoid	151- 4- A6		BK	2
C1024 (4.9L)	LH rear of engine, on throttle position sensor (TPS)	151- 2- A4		BK	3
C1024 (5.0L) (5.8L)	Top center of engine, on throttle position sensor (TPS)	151- 3- F5		BK	3
C1024 (7.5L)	Top LH side of engine, on throttle position sensor (TPS)	151- 7- A5		BK	3
C1025	LH side of engine compartment, on trailer marker lamps relay		150-18	GY	5
C1027	LH side of safety wall, on transmission electronic control (TECA) module	151- 6- A9	150-20	GY	60
C1028 (Automatic)	Below center of vehicle, on vehicle speed sensor	151-11- A6		BK	2
C1028 (Manual)	Below center of vehicle, on vehicle speed sensor	151-11- D3		BK	2
C1029	RH side of engine compartment, on volotage rergulator	151- 9- F5		BK	4
C1030 (4.9L)	LH front of engine compartment, on washer pump motor	151- 2-E10		BK	2
C1030 (5.0L) (5.8L)	LH front of engine compartment, on washer pump motor	151- 3-E10		BK	2
C1030 (7.3L)	LH side of engine compartment, on washer pump motor	151- 6- D9		BK	2
C1030 (7.5L)	LH front of engine compartment, on washer pump motor	151- 8-E10		BK	2
C1031	Front of vehicle, on left front park/turn lamp	151- 8- F9			3
C1032	Front of vehicle, on right front park/turn lamp	151- 8- F2			3
C1033	Front of vehicle, on left headlamp	151- 7- F8		BK	3
C1034	Front of vehicle, on right headlamp	151- 7- F2		BK	3
C1035	In engine compartment, on engine lamp			BR	2
C1040	On glow plug #1	*			1
C1041	On glow plug #2	*			1
C1042	On glow plug #3	*			1
C1043	On glow plug #4	*			1
	On glow plug #5	*			1
	On glow plug #6	*			1
	On glow plug #7	*			1
	On glow plug #8	*			1
	Below center of vehicle, on E4OD transmission	151-11- A4	150- 8	GY	12
	Front RH side of engine, on leece/neville alternator	*		BK	1

**100% SATISFACTION GUARANTEED**

**BUY IT NOW!**

**Click Here To Order**

PayPal American Express Discover MasterCard VISA

# LOCATION INDEX 152-28

<u>Connector</u>	<u>Location</u>	<u>Page Zone</u>	<u>Connector Page</u>	<u>Color</u>	<u>Terminal</u>
C1051	Front RH side of engine, on leece/neville alternator	*		BK	1

\* No Figure Available

<u>Ground</u>	<u>Location</u>	<u>Page Zone</u>
G100 (4.9L)	LH front of engine compartment, top of upper radiator support	151- 2- F9
G100 (5.0L)(5.8L)	LH front of engine compartment, on upper radiator support	151- 4- F7
G100 (7.3L)	LH front of engine compartment, on upper radiator support	151- 5- E9
G100 (7.5L)	LH front of engine compartment, on upper radiator support	151- 7- F7
G101 (4.9L)	RH front of engine compartment, top of upper radiator support	151- 2- F3
G101 (5.0L)(5.8L)	RH front of engine compartment, on upper radiator support	151- 4- E2
G101 (7.3L)	Front of RH fender apron	151- 9- B9
G101 (7.5L)	RH front of engine compartment, on upper radiator support	151- 7- E1
G102	RH side of engine compartment, near voltage regulator	151- 6- B2
G104 (4.9L)	Rear of LH fender apron	151- 2-B10
G104 (5.0L)(5.8L)(7.3L)	Rear of LH fender apron	151- 4- B9
G104 (7.5L)	Rear of LH fender apron	151- 8- A9
G106	Lower LH front of engine	*
G107	Lower RH front of engine	151- 5- F4
G108	RH side of engine compartment, on crossmember, below engine	*
G200	Behind center of I/P, near RH side of rear anti-lock brakes (RABS) module	151-10- F4
G201	Below LH side of I/P, near LH side of steering column	151-10-D10
G202	Behind RH cowl panel	151-12- A6
G203	Top of steering column	*
G204	LH rear of cargo area, near rear light assembly	151-12- F6
G205	Below LH rear of vehicle, on rear crossmember	151-11- E7
G206	In driver's door, below speaker	151-12- A2

**100% SATISFACTORY GUARANTEED**

**BUY IT NOW!**

**Click Here To Order**



# 152-29 LOCATION INDEX

<u>Splice</u>	<u>Location</u>
S100	Engine harness, near T/O to right headlamp
S101	Engine control harness, near T/O to C100
S102	Engine harness, near T/O to C106
S103	Engine harness, near T/O to left headlamp
S106 (Diesel Engines)	Engine harness, near T/O to G100
S106 (Gasoline Engines)	Engine harness, near T/O to G101
S107 (With DRL)	Engine harness, near T/O to C113
S107 (Without DRL)	Engine harness, near T/O to C106
S114	Engine harness, near T/O to C105
S115 (With DRL)	Engine harness, near T/O to C106
S115 (Without DRL)	Engine harness, near T/O to C202
S117	Engine harness, near T/O to low vacuum warning switch
S121	Engine harness, near T/O to electronic engine control (EEC) module
S122	Engine harness, near T/O TO C106
S123 (4.9L)	Engine harness, near T/O to electronic engine control (EEC) module
S124	Dash panel to engine harness, near T/O to oil pressure sender
S125	Engine harness, near T/O to TFI ignition module
S126	Engine harness, near T/O to EEC power relay
S128 (5.0L)	Fuel charge harness, near T/O to fuel injector #8
S128 (5.8L)	Fuel charge harness, near T/O to fuel injector #6
S128 (7.5L)	Fuel charge harness, near T/O to fuel injector #6
S129	Fuel charge harness, near T/O to fuel injector #3
S130	Fuel charge harness, near T/O to fuel injector #4
S131 (4.9L)	Fuel charge harness, near T/O to fuel injector #5
S131 (5.0L)	Fuel charge harness, near T/O to knock sensor
S131 (5.8L)	Fuel charge harness, near T/O to fuel injector #8
S131 (7.5L)	Fuel charge harness, near T/O to fuel injector #4
S132 (4.9L)	Fuel charge harness, near T/O to fuel injector #3
S132 (5.0L) (5.8L)	Fuel charge harness, near T/O to fuel injector #8
S132 (7.5L)	Fuel charge harness, near T/O to fuel injector #4
S132 (4.9L)	Dash panel to engine harness, near T/O to C125
S132 (7.5L)	Fuel charge harness, near T/O to fuel injector #4
S132 (4.9L)	Fuel charge harness, near T/O to thermactor air bypass (TAB) solenoid
S132 (7.5L)	Backup lamp harness, near T/O to C127
S132 (4.9L)	Backup lamp harness, near T/O to manual lever position sensor
S132 (7.5L)	Dash panel to engine harness, near T/O to EGR valve position (EVP) sensor
S132 (4.9L)	Fuel charge harness, near T/O to ignition coil


**100% SATISFACTION GUARANTEED**

**BUY IT NOW!**

**Click Here To Order**


PayPal American Express Discover MasterCard VISA






<u>Splice</u>	<u>Location</u>
S137 .....	Engine harness, near T/O to C122
S138 .....	Fuel charge harness, near T/O to air charge temperature (ACT) sensor
S140 (With DRL) .....	Engine harness, near T/O to C113
S140 (Without DRL) .....	Engine harness, near T/O to electronic engine control (EEC) module
S141 .....	Rear lamp harness, near T/O to C102
S142 .....	Engine harness, near T/O to C113
S143 .....	Rear lamp harness, near T/O to C158
S144 .....	Fuel charge harness, near T/O to canister purge solenoid
S146 .....	Backup lamp harness, near T/O to C117
S147 .....	Engine harness, near T/O to C102
S148 .....	Engine harness, near T/O to horns
S150 .....	Engine harness, near T/O to C113
S151 .....	Engine harness, near T/O to C113
S152 .....	Heater switch to blower motor harness, near T/O to blower motor
S153 .....	Heater switch to blower motor harness, near T/O to A/C clutch cycling pressure switch
S154 .....	Engine harness, near T/O to washer pump motor
S155 .....	Engine harness, near T/O to washer pump motor
S156 .....	Engine harness, near T/O to C106
S157 .....	Engine harness, near T/O to C105
S159 .....	Trailer battery feed harness, in T/O to C105
S163 (With DRL) .....	Engine harness, near T/O to C113
S163 (Without DRL) .....	Engine harness, near T/O to washer pump motor
S164 .....	Engine harness, near T/O to C105
S165 .....	Engine harness, near T/O to C102
S167 .....	Engine harness, near T/O to C202
S168 .....	Alternator rectifier harness, near T/O to G109
S171 .....	Engine harness, near T/O to C106
S198 .....	Backup lamps harness, near T/O to C117
S199 (4.9L) .....	Dash panel to engine harness, near T/O to TFI ignition module
S199 (5.0L) (5.8L) .....	Fuel charge harness, near T/O to ignition coil
S199 (7.5L) .....	Fuel charge harness, near T/O to distributor
.....	Main harness, near T/O to C206
.....	Main harness, near T/O to G200
.....	Main harness, near T/O to C204
.....	Heater switch to blower harness, near T/O to blower motor resistor
.....	Main harness, near T/O to master tailgate window switch
.....	Main harness, near T/O to C206



BUY IT NOW!

Click Here To Order



# 152-31 LOCATION INDEX

<u>Splice</u>	<u>Location</u>
S208	Main harness, near T/O to fuse panel
S209	Main harness, near T/O to fuse panel
S210	Main harness, near T/O to C250
S211	Main harness, near T/O to ignition switch
S212	Main harness, near T/O to main light switch
S213	Main harness, near T/O to main light switch
S214	Main harness, near T/O to warning chime module
S215	Main harness, near T/O to C250
S218	Main harness, near T/O to warning chime module
S220	Main harness, near T/O to rear anti-lock brake (RABS) module
S221	Main harness, near T/O to C204
S222	Window regulator relay switch harness, near T/O to C211
S223	Main harness, near T/O to diesel warning lamp display
S224	Main harness, near T/O to clutch interlock switch
S226	Main harness, near T/O to G200
S227	Main harness, near T/O to rear anti-lock brake (RABS) module
S228	Main harness, near T/O to rear anti-lock brake (RABS) module
S229	Main harness, near T/O to blower switch
S230	Main harness, near T/O to C227
S231	Window regulator relay switch harness, near T/O to C211
S232	Window regulator left front door harness, near T/O to left front door speaker
S233	Window regulator left front door harness, near T/O to left front door speaker
S240	Main harness, near T/O to ignition switch
S299	Main harness, near T/O to left courtesy lamp switch
S301	Interior lamp feed harness, near T/O to C301
S303	Interior lamp feed harness, near T/O to C301
S304	Interior lamp feed harness, near T/O to C300
S305	Interior lamp feed harness, near T/O to dome lamp
S306	Interior lamp feed harness, near T/O to dome lamp
S400 (Dual Tanks)	Rear lamps harness, near T/O to C401
(Single Tank)	Rear lamps harness, near T/O to fuel gauge sender and pump
	Rear lamps harness, near T/O to fuel gauge sender and pump
	Rear license lamp harness, near T/O to C400
	Rear lamp connector harness, near T/O to C419
	Rear lamp connector harness, near T/O to right backup lamp
	Right rear lamp extension harness, near T/O to C416
	Left marker lamp harness, near T/O to C412

**100% SATISFACTION GUARANTEED**

**BUY IT NOW!**

**Click Here To Order**

PayPal American Express Discover MasterCard VISA

## Splice

## Location

S410 .....	Right marker lamp harness, near T/O to C420
S412 (Bronco) .....	Rear lamps harness, near T/O to fuel gauge sender and pump
S412 (F-Series) .....	Rear lamp connector harness, near T/O to C410
S413 .....	Rear lamps harness, near T/O to rear fuel gauge sender and pump
S416 .....	Rear lamps harness, near T/O to C401
S417 (Bronco) .....	Rear lamps harness, near T/O to C406
S417 (F-Series) .....	Rear lamp connector harness, near T/O to C419
S418 .....	Rear license harness, near T/O to C400
S419 .....	Rear lamps harness, near T/O to C401
S420 .....	Rear lamp connector harness, near T/O to C419
S421 .....	Left marker harness, near T/O to C412
S422 .....	Right marker lamp harness, near T/O to C420
S423 .....	Rear window regulator control harness, near T/O to tailgate window switch
S424 .....	Rear lamp harness, near T/O to C406
S425 .....	Rear lamps harness, near T/O to rear fuel gauge sender
S426 .....	Rear lamp connector harness, rear T/O to C401
S427 .....	Rear lamps harness, near T/O to C406



**BUY IT NOW!**  
Click Here To Order



# 160-1 VEHICLE REPAIR LOCATION CODES

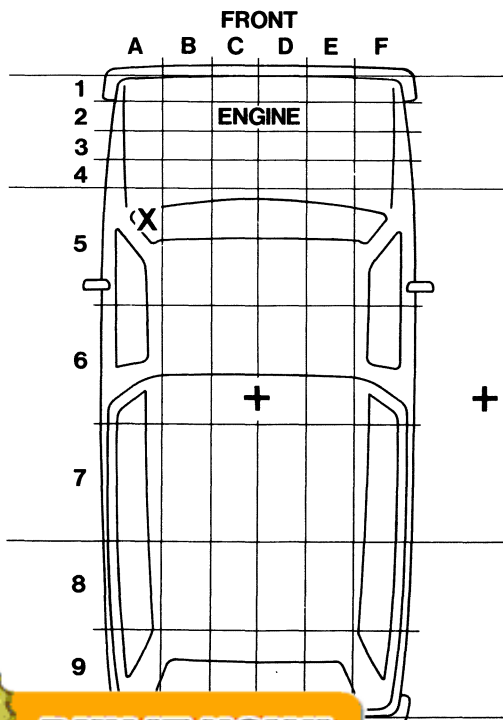
## VEHICLE REPAIR LOCATION CODES

TO PINPOINT THE ACTUAL VEHICLE LOCATION OF A REPAIR, THE VEHICLE REPAIR LOCATION CODE IS REQUIRED.

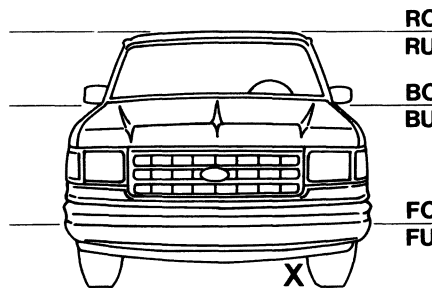
FOR EXAMPLE, AN "X" HAS BEEN PLACED IN THE QUADRANT OF THE VEHICLE DIAGRAMS INDICATING THE LOCATION OF THE REPAIR. SEE DIAGRAMS.

LOCATION CODE, FOR THE EXAMPLE IS: A5/FU — (UNDER THE FLOOR OF DRIVER'S LEFT FOOT.)

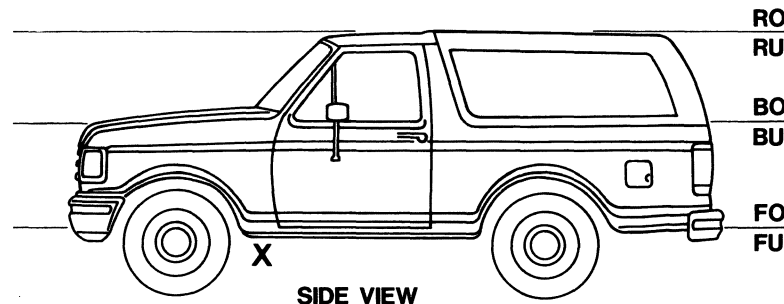
FRONT/REAR DIRECTION



OVER/UNDER DIRECTION



- R = ROOF LINE
- RO = ROOF OVER
- RU = ROOF UNDER
- B = BELT LINE
- BO = BELT OVER
- BU = BELT UNDER
- F = FLOOR PAN
- FO = FLOOR OVER
- FU = FLOOR UNDER



SIDE VIEW

BRONCO F150 F250 F350 SUPER DUTY

FPS-12129-91



**BUY IT NOW!**

Click Here To Order



# We Want To Hear From You!

Tell us about yourself

Are you a:  Ford Trained Technician  Independent Technician  Customer  
 Other \_\_\_\_\_

1. Which section of the EVTMM do you use most frequently?

Schematics  Diagnostics  Component Location Information

2. How often do you refer to this Ford Service Publication?

For all electrical problems  
 For about 75% of electrical problems  
 Fewer than 25% of electrical problems

3. Do the component location descriptions provide enough detail?

Yes  No

Suggestions: \_\_\_\_\_  
\_\_\_\_\_  
\_\_\_\_\_

4. Would you prefer to have the electrical information for one vehicle, in one publication (separate electrical publications for each vehicle)?

Yes  No

5. Are connector views and corresponding information helpful when diagnosing electrical problems?

Yes  No

6. Would you like to include more component switch test information?

Yes  No

7. Do you read the "How to Use this Manual" and "How to Find the Electrical Concerns" sections of this manual?

Yes  No

What additional information would be helpful? \_\_\_\_\_  
\_\_\_\_\_

8. Rate the purpose for using the location index. (5 is high, 1 is low)

Connectors                      Splices                      Part Numbers                      Grounds

9. Are the full view, more comprehensive illustrations (located just prior to the Location Index) a helpful tool?

Yes  No

Comment: \_\_\_\_\_

10. Please rate the overall effectiveness of the revised radio schematics and diagnostics.

Good  Fair  Poor

11. How helpful are the "equivalent circuits" of electrical components, as shown on schematics, when troubleshooting electrical circuits?

Fair  Poor

Comments: \_\_\_\_\_  
\_\_\_\_\_



**BUY IT NOW!**

**Click Here To Order**

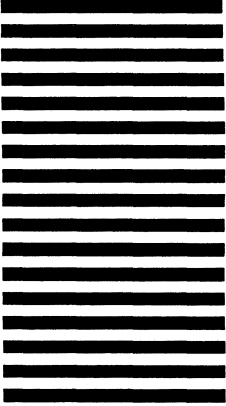


DO NOT STAPLE — USE TRANSPARENT TAPE



NO POSTAGE  
NECESSARY  
IF MAILED  
IN THE  
UNITED STATES

**BUSINESS REPLY MAIL**  
FIRST CLASS PERMIT NO. 400 DEARBORN, MICH.



POSTAGE WILL BE PAID BY ADDRESSEE

Ford Parts and Service Division  
Service Publications-ART  
Room 2009  
Post Office Box 1902  
3000 Schaefer Road  
Dearborn, Michigan 48121

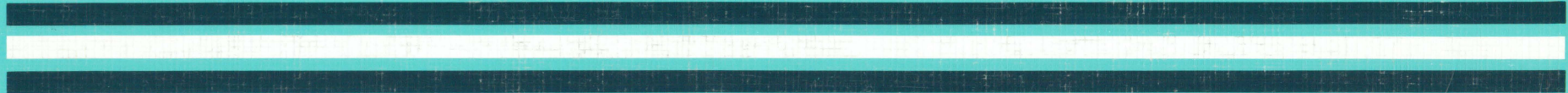


**BUY IT NOW!**  
Click Here To Order 





**WE SUPPORT VOLUNTARY  
TECHNICIAN CERTIFICATION**



**Service  
Publications**

Ford Parts and Service Division

**SATISFACTION  
100%  
GUARANTEED**

**BUY IT NOW!**

**Click Here To Order** 

FPS-12129-91  
Copyright © 1990  
Ford Motor Company