



DEMO

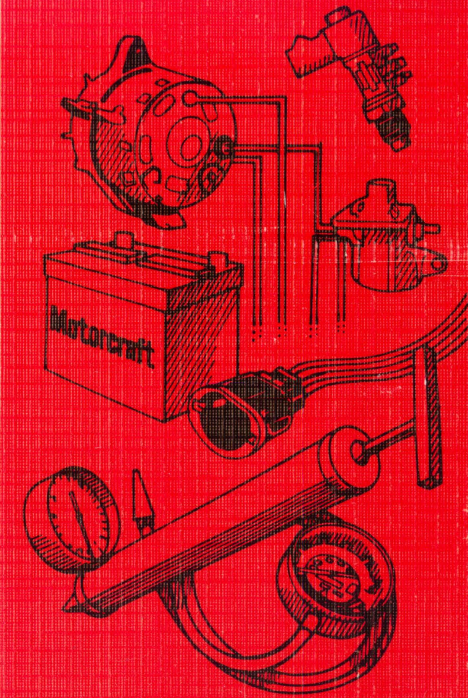
This DEMO contains only a few pages of the entire manual/product.

Not all Bookmarks work on the Demo, but they do on the full version.

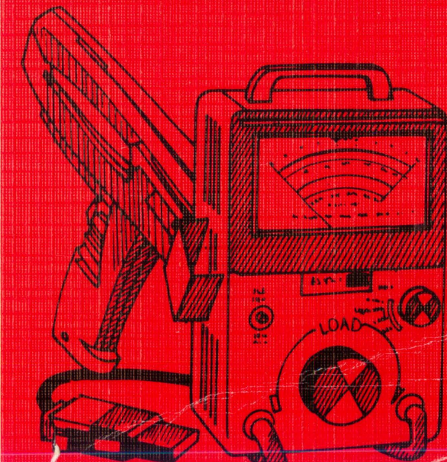
Features:

- Searchable text
- Printable pages
- Bookmarked for easy navigation
- High Resolution images
- Zoom to see exact details
- Money back Guarantee
- Available on USB and eBook download

1989 BRONCO/ F150-F350/ F-SUPER DUTY



Electrical & Vacuum Trouble-Shooting Manual



BUY IT NOW!

[Click Here To Order](#)



License #84356800

Copyright © 2023, Forel Publishing Company, LLC, Woodbridge, Virginia

All Rights Reserved. No part of this book may be used or reproduced in any manner whatsoever without written permission of Forel Publishing Company, LLC. For information write to Forel Publishing Company, LLC, Woodbridge, VA 22192

**1989 Bronco/F150-F350/ F-Super Duty Electrical &
Vacuum Trouble-Shooting Manual (EVTM)**

EAN: 978-1-60371-412-9

ISBN: 1-60371-412-X

Forel Publishing Company, LLC
Woodbridge, VA 22192
Email: sales@ForelPublishing.com
<https://www.ForelPublishing.com>



This publication contains material that is reproduced and distributed under a license from Ford Motor Company. No further reproduction or distribution of the Ford Motor Company material is allowed without the express written permission of Ford Motor Company.

Note from the Publisher

This product was created from the original Ford Motor Company's publication. Every effort has been made to use the original scanned images, however, due to the condition of the material; some pages have been modified to remove imperfections.

Disclaimer

Although every effort was made to ensure the accuracy of this book, no representations or warranties of any kind are made concerning the accuracy, completeness or suitability of the information, either expressed or implied. As a result, the information contained within this book should be used as general information only. The author and Forel Publishing Company, LLC shall have neither liability nor responsibility to any person or entity with respect to any loss or damage caused, or alleged to be caused, directly or indirectly by the information contained in this book. Further, the publisher and author are not engaged in rendering legal or other professional services. If legal, mechanical, electrical, or other expert assistance is required, the professional should be sought.



ELECTRICAL AND VACUUM TROUBLESHOOTING MANUAL

FPS — 12129 - 89

ORDER INFORMATION

Information on how to order additional copies of this publication or other Ford publications, may be obtained by writing to Helm Incorporated at the address shown below. Other publications available include:

- Shop Manuals
- Service Specification Books
- Car/Truck Wiring Diagram Books
- Engine/Emissions Diagnosis Manuals

Helm Incorporated
P.O. Box 07150
Detroit, Michigan 48207



TABLE OF CONTENTS

How to Use This Manual	1
How to Find the Electrical Problem	2,3
Symbols (Electrical)	4
(Vacuum)	119
How to Find the Vacuum Problem	121
Component Testing	
Introduction	141
Main Light Switch	141
Hazard Switch	143
Ignition Switch	142
Turn Signal Switch	143
Windshield Wiper/Washer Switch	144
Interval Wiper/Washer Switch	145
A/C-Heater Function Selector	146
A/C-Heater Blower Switch	147
Location Index	148

SYSTEM INDEX

A/C-Heater	129
Anti-Lock Brakes	80
Brake Warning Indicator	74
Charge (Gasoline)	18
(Diesel)	23
Cigar Lighter	95
Coolant Temperature Gauge	88
Diesel Glow Plug Control	33
Electric Fuel Pump Control	92
Electronic Engine Control	37
Electronic Shift—4 Wheel Drive	82
E40D Transmission	44,47
Four-Wheel Drive Indicator	83
Fuel Injector Cooling Fan—(4.9L Only)	52
Fuel Tank Selector/Gauges (Diesel)	89
(Gasoline)	86
Fuse Panel (Diesel)	24
(Gasoline)	19

Gauges (Diesel)	89
(Gasoline)	86
Grounds	5
Heater	126
Horn	95
Ignition	27
Instrument Illumination	72
Lamps On Warning	68
Lamps	
Backup	66
Body Marker	58
Cargo	68
Dome	68
Exterior	56
Hazard	62
Headlamps	54
Instrument Illumination	72
License	57
Map	68
Marker	57
Park	57
Radio Illumination	72
Stop	62
Tail (Rear Park)	56
Trailer	58
Turn	62
Main Light Switch	18
Power Distribution (Diesel)	22
(Gasoline)	17
Power Door Locks	110
Power Windows	103
Radio (Stereo) (Electronic)	113
Rear Window Defrost	106
Seatbelt Warning	74
Speed Control	122
Start (Diesel)	32
(Gasoline)	27

Tachometer	88
Tailgate Power Window	106
Trailer	117
Vacuum Distribution	120
Warning Indicators (Diesel)	77
(Gasoline)	74
Windshield Wiper/Washer	98
Windshield Wiper/Washer (Interval)	100

IMPORTANT SAFETY NOTICE

Appropriate service methods and proper repair procedures are essential for the safe, reliable operation of all motor vehicles, as well as the personal safety of the individual doing the work. This Manual provides general directions for accomplishing service and repair work with tested, effective techniques. Following them will help assure reliability.

There are numerous variations in procedures, techniques, tools, and parts for servicing vehicles, as well as in the skill of the individual doing the work. This Manual cannot possibly anticipate all such variations and provide advice or cautions as to each. Accordingly, anyone who departs from the instructions provided in this Manual must first establish that he compromises neither his personal safety nor the vehicle integrity by his choice of methods, tools or parts.



BUY IT NOW!

Click Here To Order 







Contents are hyperlinked to pages

This manual contains the following diagnostic information:

- Electrical and Vacuum Schematics
- Component Location Indexes and Views
- Troubleshooting Hints
- Descriptions of Circuit Operation
- Component Testing

The vehicle's entire electrical system is broken down into individual systems. There are also sections for the vehicle's ground and power distribution circuitry. Each system section begins with a wiring schematic. The **Schematics** should always be your starting point in using this manual. These schematics show the paths of electrical current during proper circuit operation. The source of voltage (circuit breaker or fuse) is shown at the top of the page. All wire, connectors, splices, switches, and motors are shown in the flow of current to ground at the bottom of the page. Connector end views of switches and other components are shown to help with bench testing. Each circuit component is named (underlined titles). Wire and connector colors are listed (standard Ford color abbreviations are used). These abbreviations are:

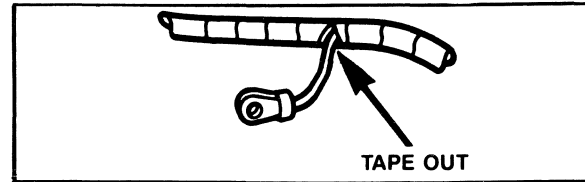
COLOR ABBREVIATIONS

BL	Blue	N	Natural
BK	Black	O	Orange
BR	Brown	PK	Pink
DB	Dark Blue	R	Red
DG	Dark Green	P	Purple
GR	Green	T	Tan
GY	Gray	W	White
LB	Light Blue	Y	Yellow
LG	Light Green		

Illustrative figure in the manual. There is also a full listing of connector, ground, diode, and splice locations in the **Location Index** in the back of the manual.

Resistors and diodes are currently covered with pvc molds and are taped to the harness outside of the tubing. Many of the 1989 model year assemblies will be covered with heat shrinkable tubing making the assembly small enough to be placed within the harness bundle. The wiring diagrams show the number of times the resistor and diodes are used as well as the distance from connector/length of wire in exact centimeters. Resistors and diodes are identified on the wiring diagrams by the following base part numbers:

Resistor/diode assembly	14A601
Diode only	14A604



OTHER ABBREVIATIONS

T/O (Tape Out) The point at which a harness branches to feed a component.

The **Troubleshooting Hints** offer shortcuts or tests in a three-column format that help you determine the cause of an electrical problem. They are not intended to be a rigid procedure for solving an electrical situation. Rather, Troubleshooting Hints represent a common-sense approach that is based on an understanding of the circuit.

A description of **How the Circuit Works** is written to help you understand the operation of the circuit as a whole. Emphasis is placed on how the components and circuitry interact in a properly working system.

A **Component Testing** section provides procedures to determine whether a component is

good or bad.

Notes, Cautions, and Warnings appear in boxes on text pages and contain important vehicle and mechanic **safety** information.

Notes give added information to help complete a particular procedure. Cautions are included to prevent making an error that could damage the vehicle. Warnings highlight areas where carelessness can cause personal injury. The following list contains some general **Warnings** that should be followed when working on a vehicle.

- Always wear safety glasses for eye protection.
- Use safety stands whenever a procedure requires being under a vehicle.
- Be sure that the **Ignition Switch** is always in the OFF position, unless otherwise required by the procedure.
- Set the parking brake when working on any vehicle. An automatic transmission should be in PARK. A manual transmission should be in NEUTRAL.
- Operate the engine only in a well-ventilated area to avoid the danger of carbon monoxide.
- Keep away from moving parts when the engine is running, especially the fan and belts.
- To prevent serious burns, avoid contact with hot metal parts such as the radiator, exhaust manifold, tail pipe, catalytic converter, and muffler.
- Do not allow flame or sparks near the battery. Gases are always present in and around the battery cell. An explosion could occur.
- Do not smoke.
- To avoid injury, always remove rings, watches, loose hanging jewelry, and loose clothing.

When two colors are shown for a wire, the first is the base color of the wire. The second is the color of each component's component of the circuit.

100% SATISFACTION GUARANTEED

BUY IT NOW!

Click Here To Order

Payment is given as well as a receipt to an ill-

2 HOW TO FIND THE ELECTRICAL PROBLEM

TROUBLESHOOTING STEPS

These six steps present an orderly method of troubleshooting:

Step 1. Verify the problem.

- Operate the complete system and see all symptoms for yourself in order to:
 - check the accuracy and completeness of the customer's complaint.
 - learn more that might give a clue to the nature and location of the problem.

Step 2. Narrow the problem.

- Using this manual, narrow down the possible causes and locations of the problem in order to more quickly find the exact cause.
- Read the description of *How the Circuit Works* and study the wiring diagram. You should then know enough about the circuit operation to figure out where to check for this trouble.

Step 3. Test the cause.

- Use electrical test procedures to find the specific cause of the symptoms.
- *Troubleshooting Hints* will give some helpful ideas.
- The *Component Location* charts and the pictures will help you find components, grounds, and connectors.

Step 4. Verify the cause.

- Confirm the fact that you have found the correct cause through operating the parts of the circuit you think are good.

Step 5. Make the repair.

- Repair or replace the faulty component.

6. Verify the repair.

Operate the system as in Step 1 and check for symptoms. See the

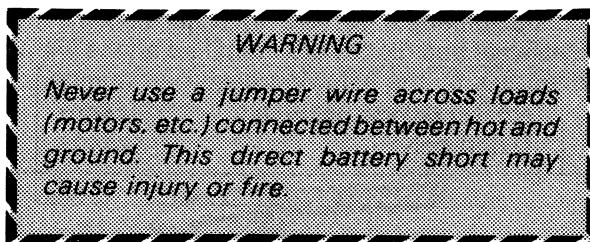
Shop Manual and other service books for details. You will find the circuits in this manual to be helpful with these special tests.

TROUBLESHOOTING TOOLS

JUMPER WIRE

This is a test lead used to connect two points of a circuit. A **Jumper Wire** can complete a circuit by bypassing an open.

Uses: Bypassing Switches or Open Circuits



VOLTMETER

A DC **Voltmeter** measures circuit voltage. Connect negative (- or black) lead to ground, and positive (+ or red) lead to voltage measuring point.

OHMMETER

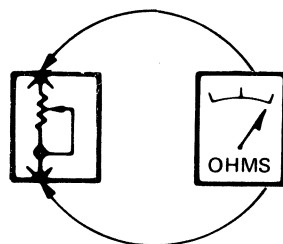


Figure 1— Resistance Check

An **Ohmmeter** shows the resistance between two connected points (Figure 1).

TEST LIGHT

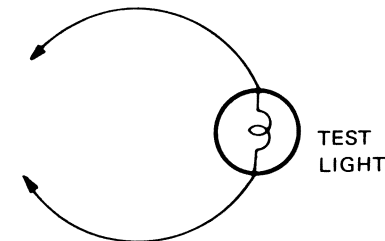


Figure 2—Test Light

A **Test Light** is a 12-volt bulb with two test leads (Figure 2).

Uses: Voltage Check. Short Check

SELF-POWERED TEST LIGHT

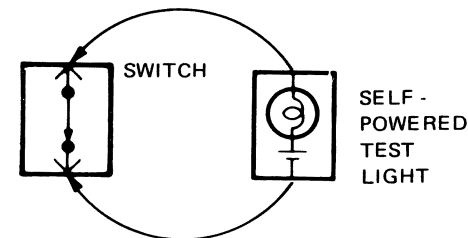


Figure 3—Continuity Check

The **Self-Powered Test Light** is a bulb, battery and set of test leads wired in series (Figure 3). When connected to two points of a continuous circuit, the bulb glows.

Uses: Continuity Check. Ground Check

CAUTION

When using a self-powered test light or ohmmeter, be sure power is off in circuit during testing. Hot circuits can cause equipment damage and false readings.

100% SATISFACTION GUARANTEED

BUY IT NOW!

Click Here To Order

Special test equipment and special procedures. See the

PayPal American Express Discover Novus MasterCard VISA

TROUBLESHOOTING CHECKS

SWITCH CIRCUIT CHECK

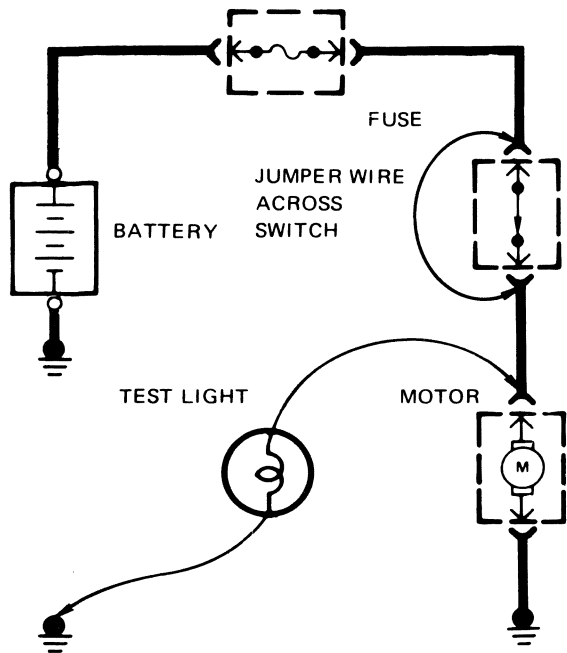


Figure 4—Switch Circuit Check and Voltage Check

In a bad circuit with a switch in series with the load, jumper the terminals of the switch to power the load. If jumping the terminals powers the circuit, the switch is bad (Figure 4).

CONTINUITY CHECK (Locating open circuits)

With power off, connect one lead of **Self-Powered Test Light** or **Ohmmeter** to each end of circuit (Figure 3). Light will glow if circuit is closed. Switches and fuses can be checked in the same way.

SHORT CHECK (short to ground)

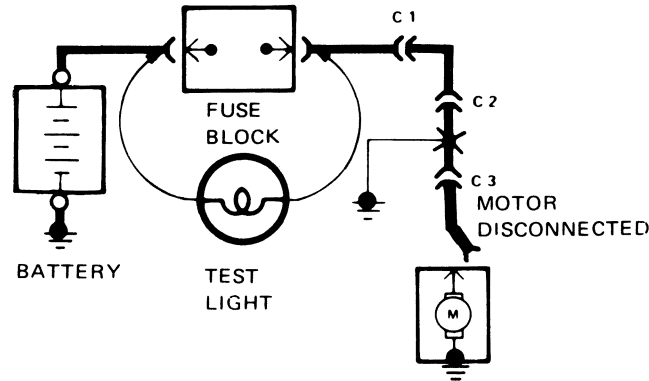


Figure 5— Short Check

A fuse that repeatedly blows is usually caused by a short to ground. It's important to be able to locate such a short quickly (Figure 5).

- 1) Turn off everything powered through the fuse.
- 2) Disconnect other loads powered through the fuse:
 - Motors: disconnect motor connector.
 - Lights: remove bulbs.
- 3) Turn **Ignition Switch** to RUN (if necessary) to power fuse.
- 4) Connect one **Test Light** lead to hot end of blown fuse. Connect other lead to ground. Bulb should glow showing power to fuse. *(This step is just a check to be sure you have power to the circuit.)*
- 5) Disconnect the **Test Light** lead from ground and reconnect it to the load side of the fuse.
 - If the **Test Light** is off, the short is in the disconnected equipment.
 - If the **Test Light** goes on, the short is in the wiring. You must find the short by disconnecting the circuit connectors one at a time until the **Test Light** goes out. For example: with a ground at X, the bulb goes out when C1 or C2 is disconnected, but stays on after disconnecting C3. This

means the ground is between C2 and C3.

"GOOD GROUND" CHECK

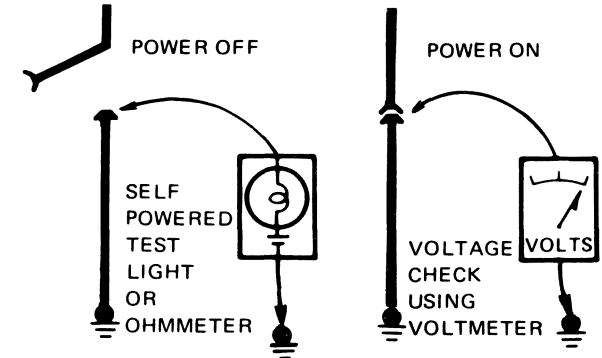


Figure 6 – Grounds Checks

Turn on power to circuit. Perform Voltage Check between suspected bad ground and frame. Any voltage means ground is bad.

Turn off power to circuit. Connect one lead of **Self-Powered Test Light** or **Ohmmeter** to wire in question, and the other to known ground. If bulb glows, circuit ground is OK (Figure 6).

TROUBLESHOOTING HINTS

The circuit schematics in this manual are designed to make it easy to identify common points in circuits. This knowledge can help narrow the problem to a specific area. For example, if several circuits fail at the same time, check for a common power or ground connection. (See *Power Distribution* or *Grounds*). If part of a circuit fails, check the connections between the part that works and the part that doesn't work.

For example, if low beam headlights work but high beams and the indicator light don't work, then power and ground paths must be good. Since the dimmer switch is the component which switches this power to the high beam lights and indicator, it is most likely the cause of failure.

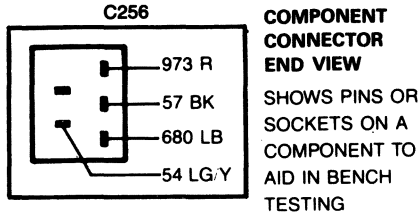
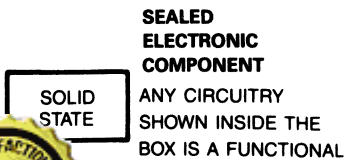
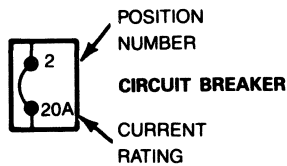
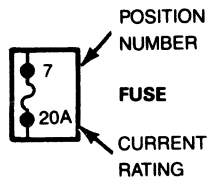
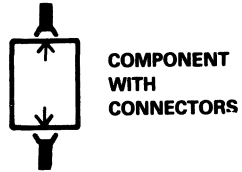
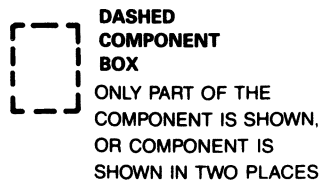
100% SATISFACTORY GUARANTEED

BUY IT NOW!

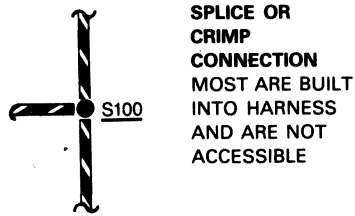
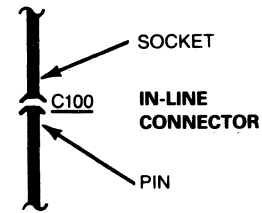
Click Here To Order

PayPal, American Express, Discover, MasterCard, VISA

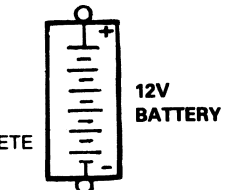
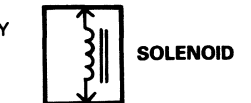
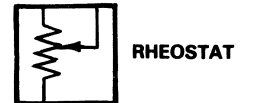
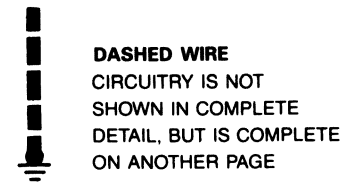
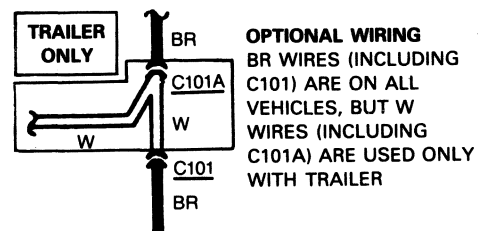
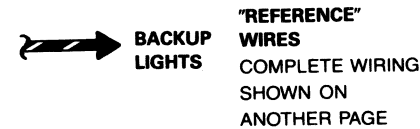
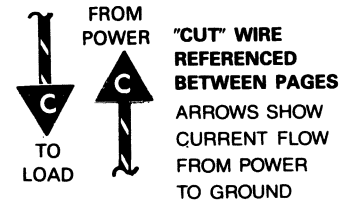
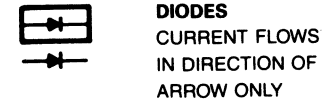
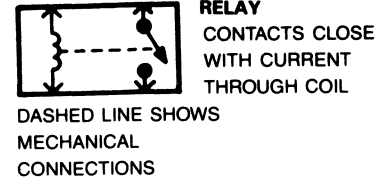
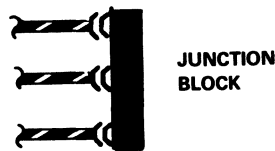
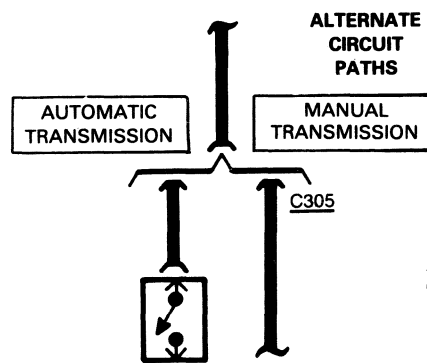
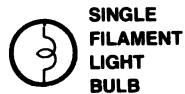
a known
) battery
the other
then the



WIRE COLORS ARE LABELED FOR MATING HARNESS CONNECTOR



20 GA BLUE ● FUSE LINK



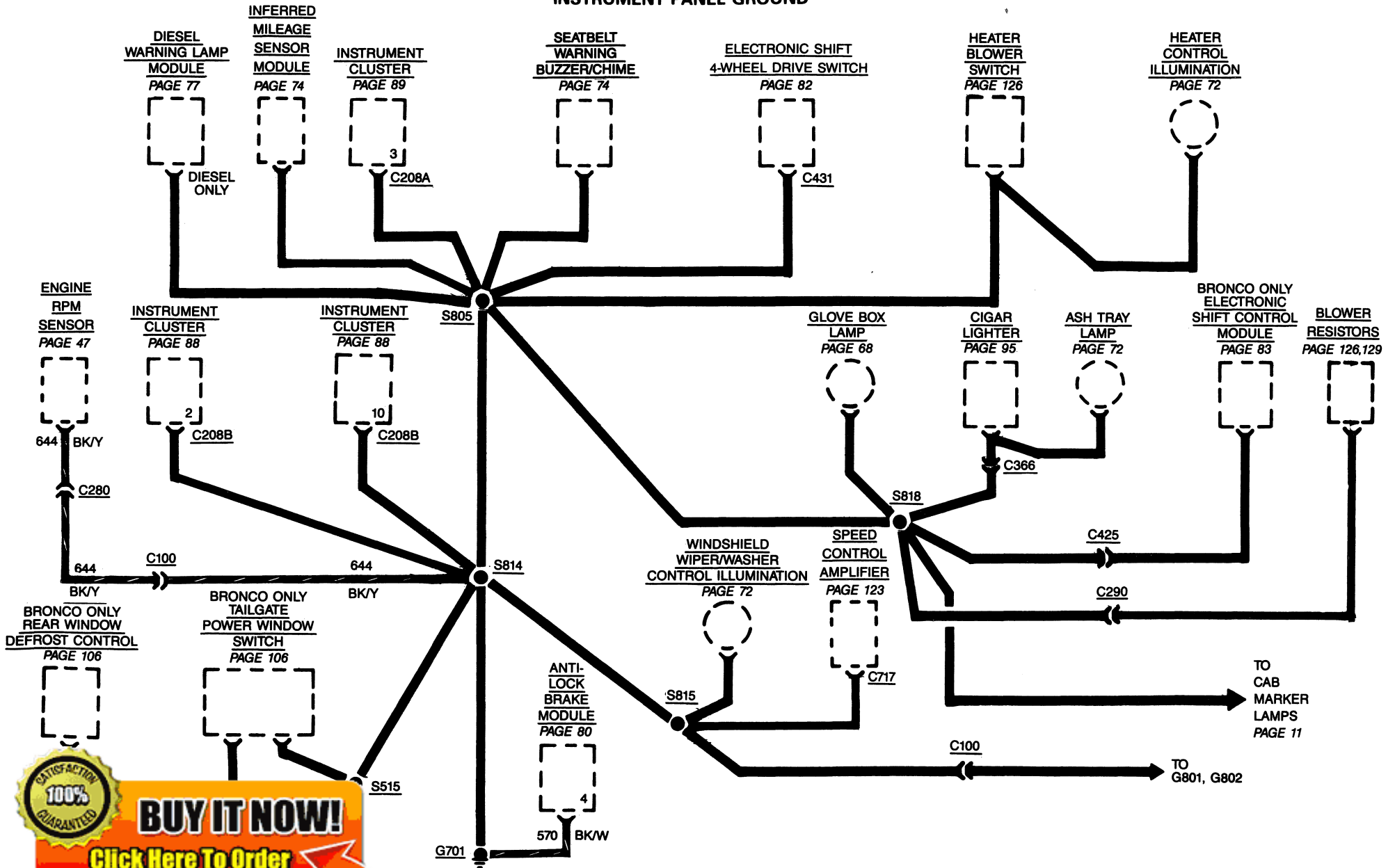
100% SATISFACTION GUARANTEED

BUY IT NOW!

[Click Here To Order](#)

PayPal American Express Discover MasterCard VISA

INSTRUMENT PANEL GROUND



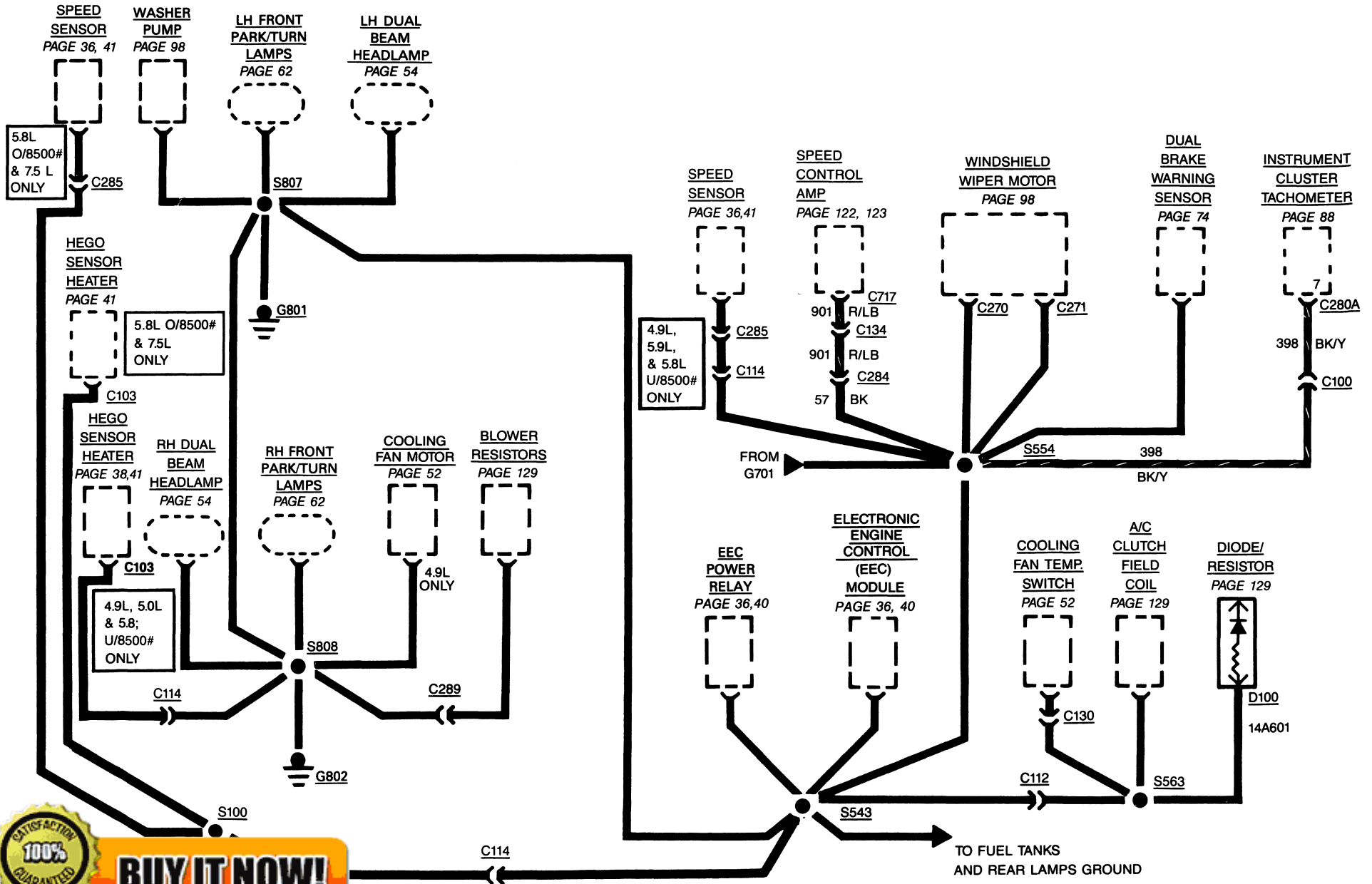
100% SATISFACTION GUARANTEED

BUY IT NOW!

Click Here To Order

PayPal American Express Discover MasterCard VISA

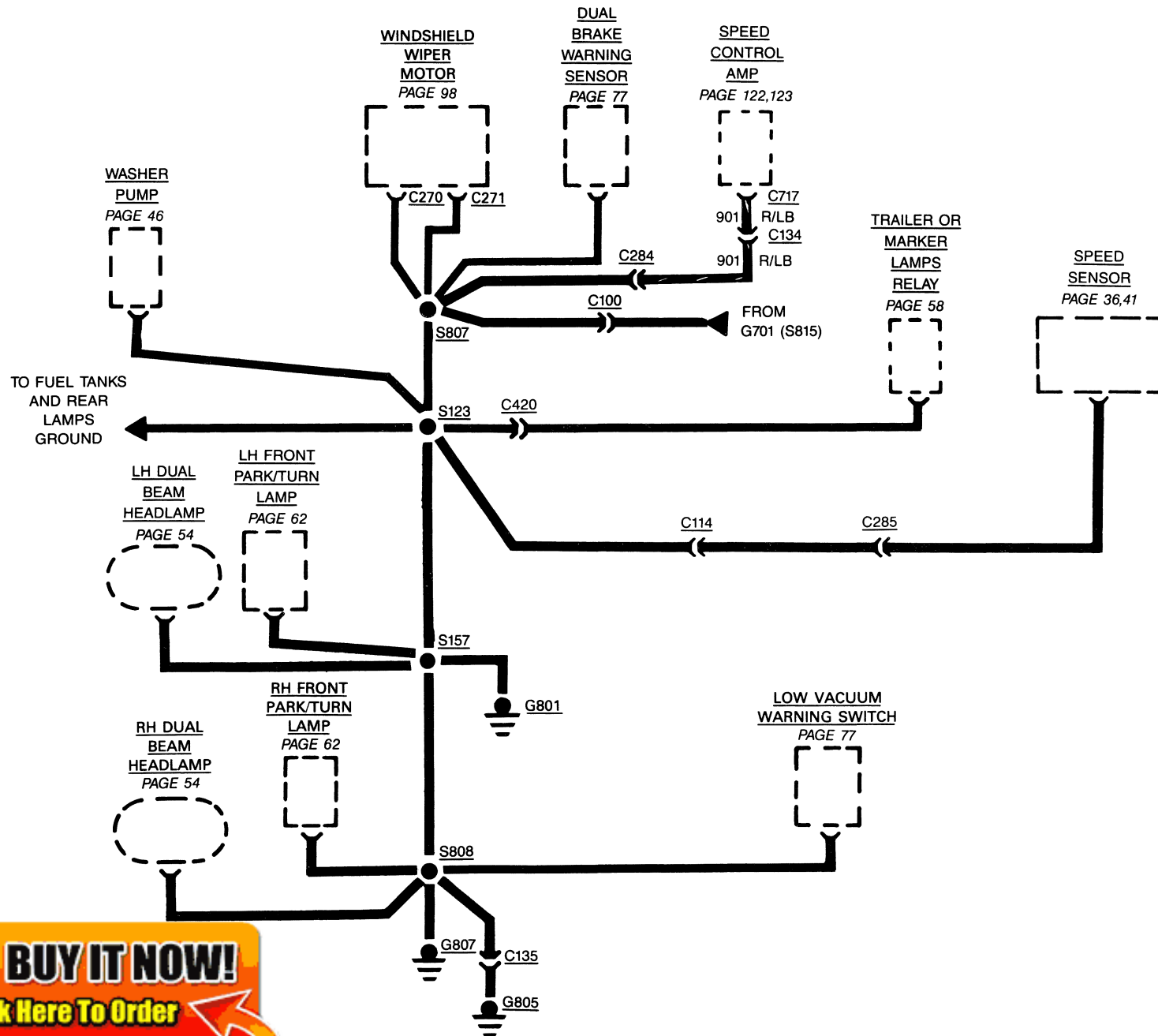
6 GROUNDS (G801, 802)



100% SATISFACTION GUARANTEED

BUY IT NOW!

Click Here To Order

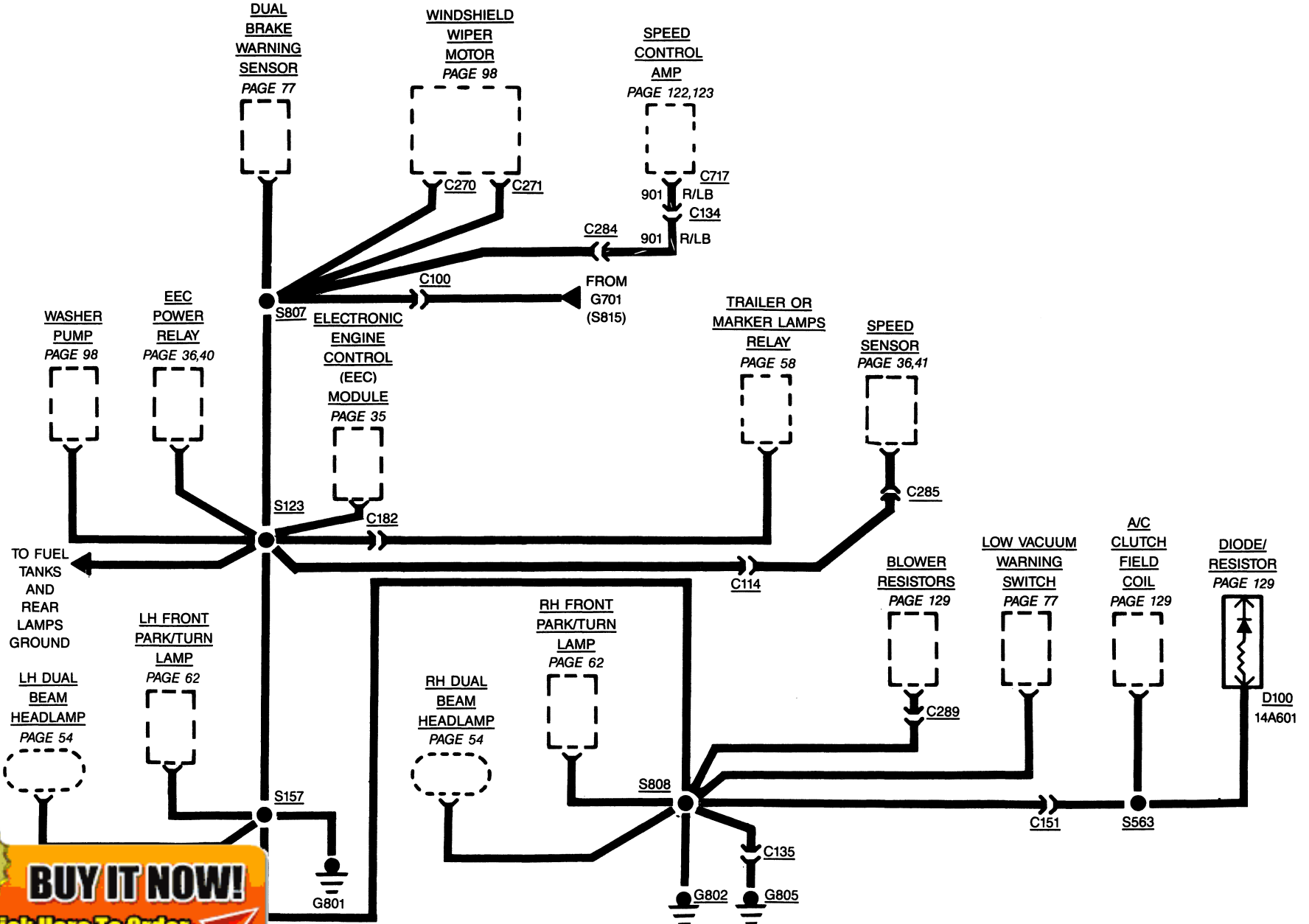


100% SATISFACTORY GUARANTEED

BUY IT NOW!

Click Here To Order

8 GROUNDS (G801, G802, G805) (7.3L DIESEL WITH E40D TRANS.)

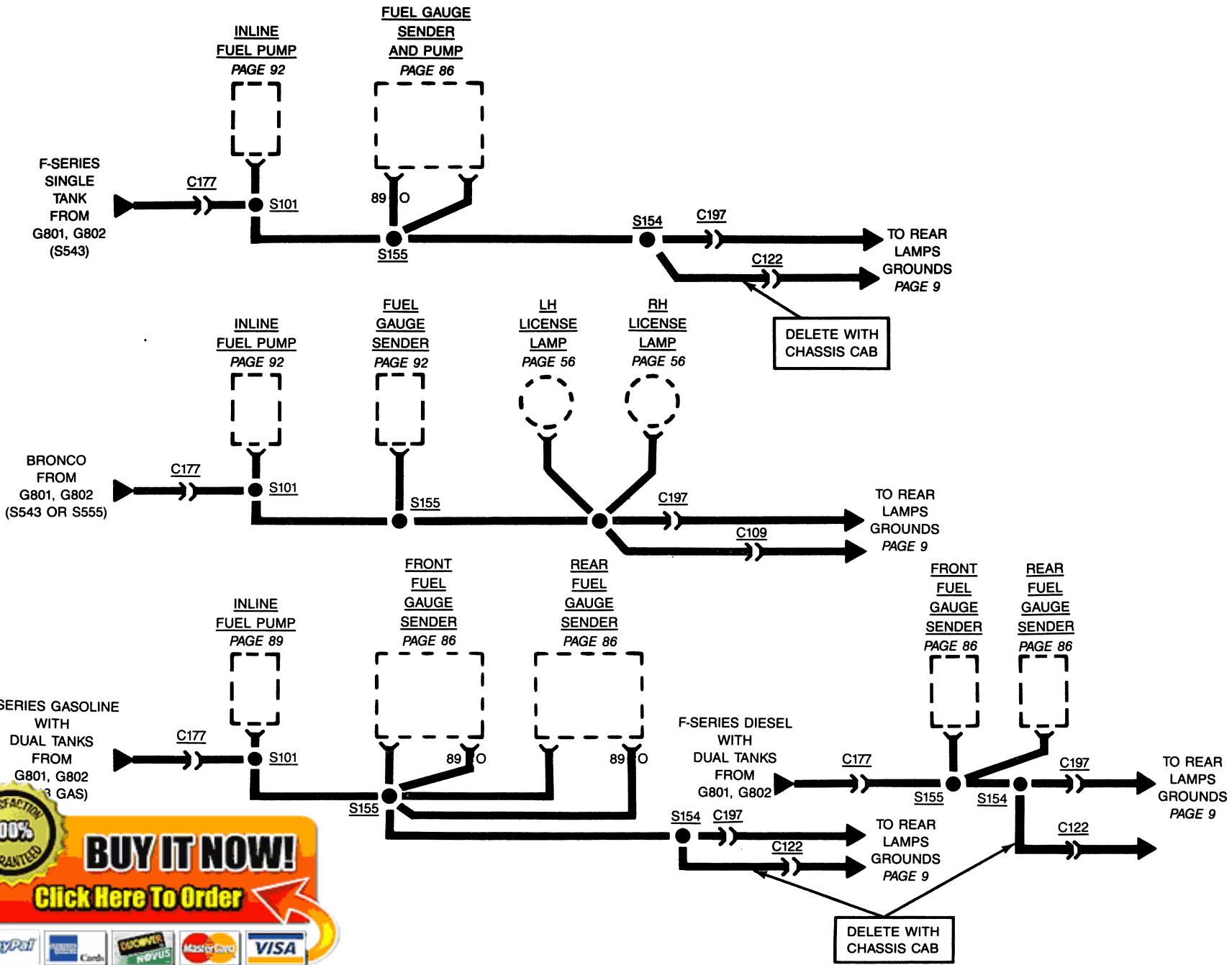


100% SATISFACTION GUARANTEED

BUY IT NOW!

Click Here To Order

PayPal American Express Discover MasterCard VISA

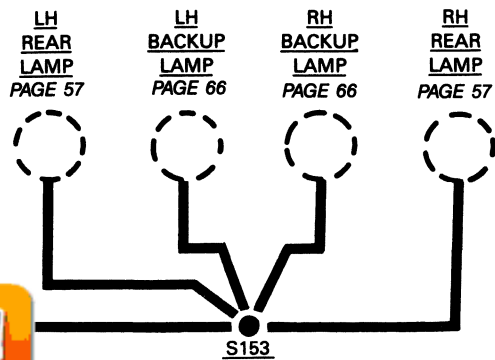
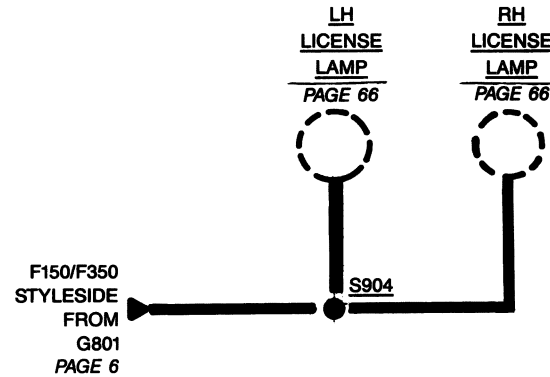
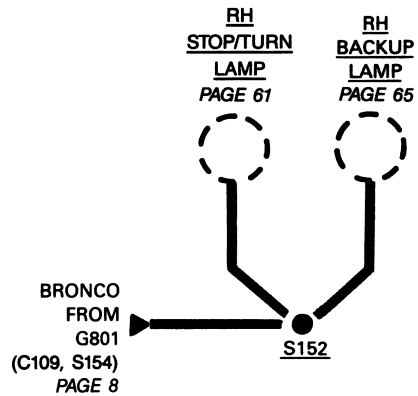
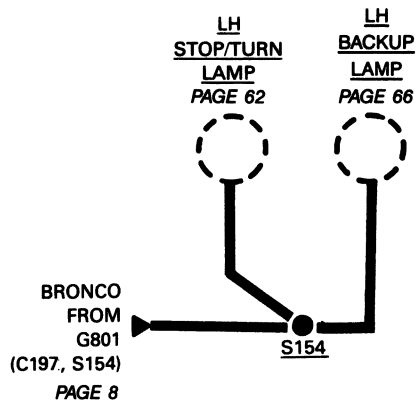


100% SATISFACTION GUARANTEED

BUY IT NOW!

Click Here To Order

10 GROUNDS (REAR LAMPS)

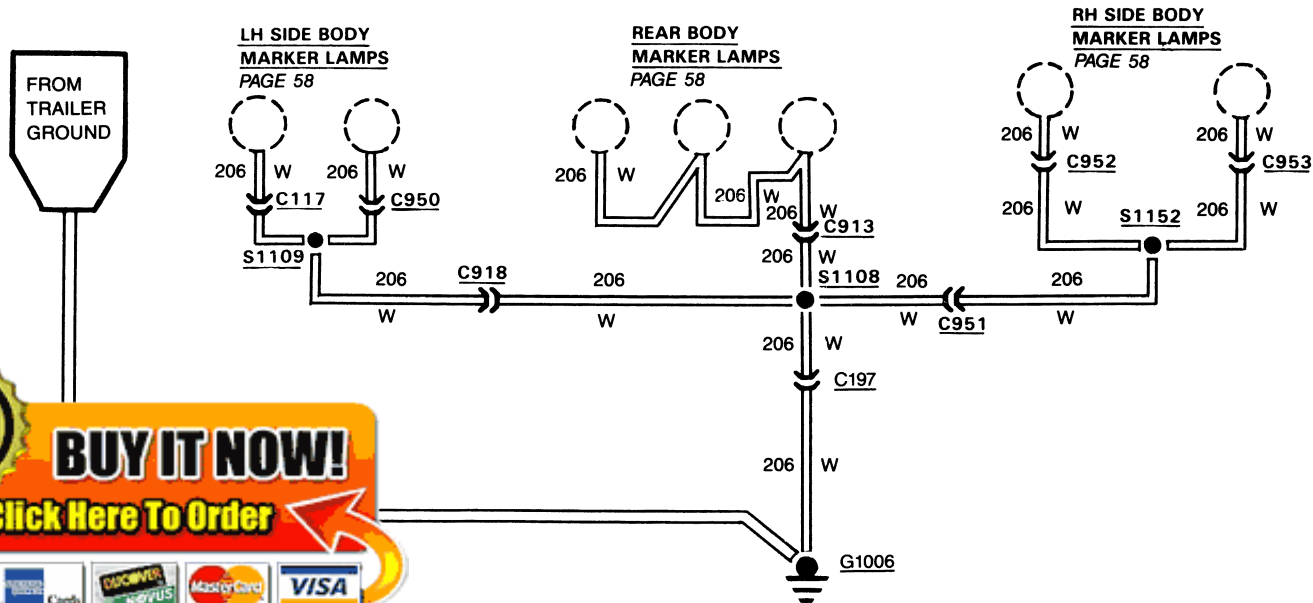
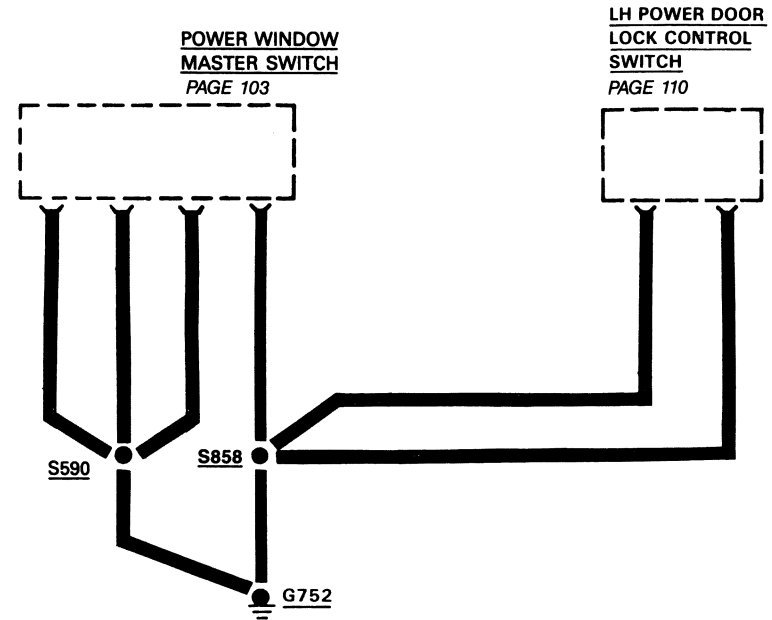
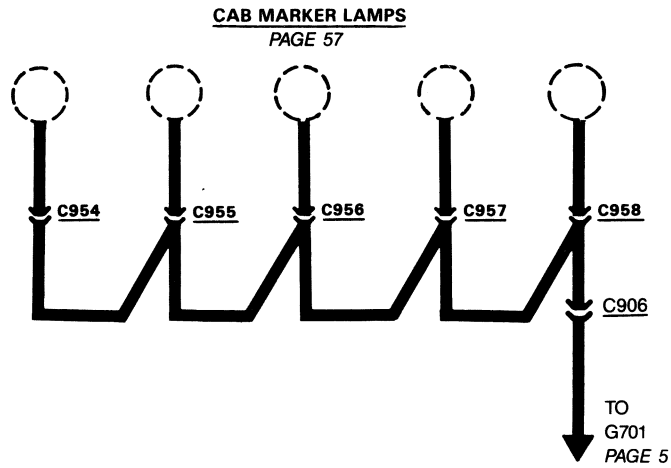


100% SATISFACTION GUARANTEED

BUY IT NOW!

Click Here To Order

PayPal American Express Discover Novus MasterCard VISA



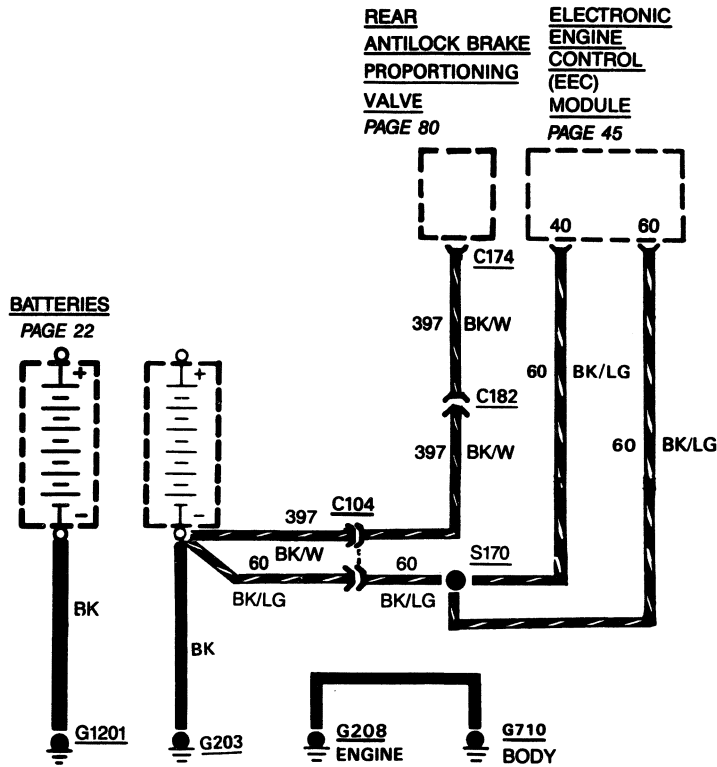
100% SATISFACTION GUARANTEED

BUY IT NOW!

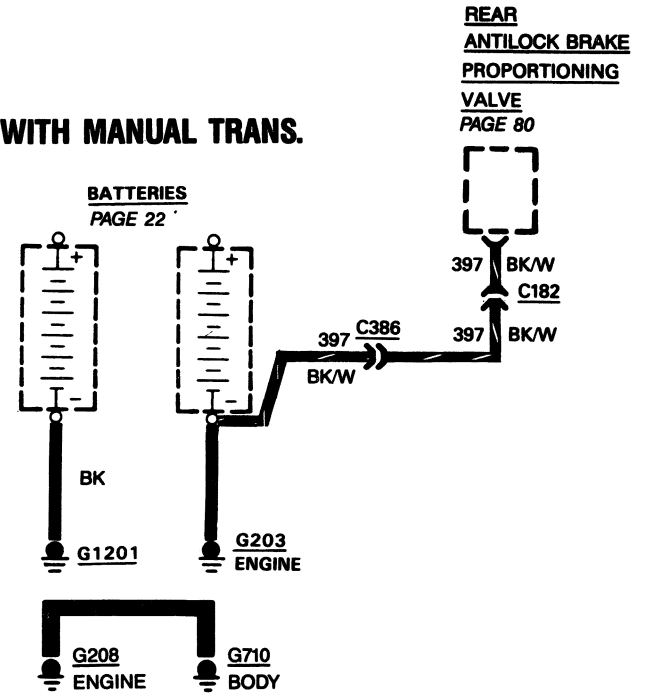
Click Here To Order

PayPal American Express Discover MasterCard VISA

12 GROUNDS (G203)



DIESEL WITH MANUAL TRANS.



100% SATISFACTION GUARANTEED

BUY IT NOW!

Click Here To Order

HOW THE CIRCUIT WORKS

The ground circuits shown here are complete and connect several components together to screw terminal ground points. On other pages only parts of these circuits may be shown. Partial ground circuits are shown dashed on those pages.

All simple or component ground circuits are shown on the individual circuit pages and are complete on those pages.

All ground wires are **57 BK** unless otherwise noted.

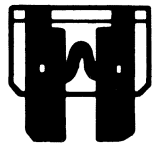
COMPONENT LOCATION

	Page- Figure
A/C Clutch Field Coil	Part of compressor
Anti-Lock Brake Module . .	Behind I/P left of center
Blower Resistors	Mounted to plenum next to blower 131-1
Brake Sensor	Part of master cylinder
Cooling Fan Motor	RH fender apron
Diesel/Warning Lamp Module	Behind LH side of I/P near fuse panel
Electronic Engine Control (EEC) Module	Behind LH kick panel
EEC Power Relay	Under plastic shield at the air cleaner support bracket
Rear Anti-lock Brake Proportioning Valve	Inside of LH frame rail behind #1 cross- member
Electronic Shift 4 Wheel Drive Control Module . .	RH cowl panel
Fuel Tank Selector Valve .	On LH side frame member behind cab 91-1
Heater Blower Switch . . .	At center of I/P
Refer to Component Testing	Page 000 for additional testing details.
HEGO Sensor	In communicator tube connecting both exhaust pipes 134-2,135-3
Inferred Mileage Sensor . .	Attached to instrument panel to left of steering column
Inline Fuel Pump	Inboard side of LH frame rail
Low Vacuum Warning Switch	7.3L RH fender apron
Power Window Master Switch	In LH door
Rear Defrost Control	Under LH corner of I/P
Seatbelt Warning Buzzer/Chime	Attached to rear RH side of I/P
Electronic Shift 4-Wheel Drive Switch	On LH side of I/P
Speed Sensor	At transmission
Tailgate Power Window Motor	In center of tailgate 109-3
Washer Pump	In washer reservoir
Windshield Wiper Motor . .	Attached to center of dash panel

Refer to the **Location Index** in the back of the manual for connector, ground, diode and splice descriptions and locations.

14 FUSE PANEL/CIRCUIT PROTECTION

REPLACEMENT OF FUSES/ CIRCUIT BREAKERS



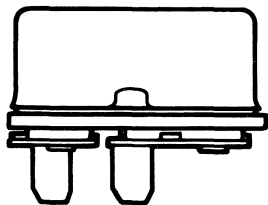
GOOD FUSE



BLOWN FUSE

Fuses are mounted either in the **Fuse Panel** or in-line. They are identified by the numbered value in amperes, and by a color code. Some positions may have either a fuse with adapter or a circuit breaker. Be sure to replace a fuse or circuit breaker with the same kind of unit and with the same ampere rating. Remove fuses in order to check them.

CIRCUIT BREAKER OPERATION



EXTERNAL
SIDE VIEW

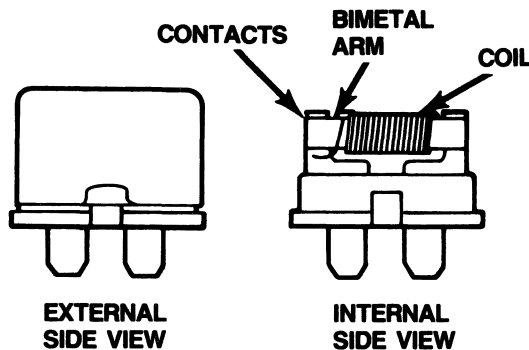
CONTACTS

BIMETAL
ARM

100% SATISFACTION GUARANTEED

BUY IT NOW!

Click Here To Order



Non-Cycling Fuse Panel Type



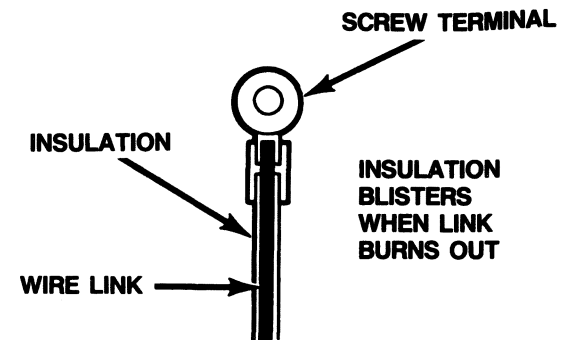
Cycling In-Line Type

Some circuits are protected by circuit breakers. (Abbreviated "c.b." in fuse chart.) They can be **Fuse Panel** mounted or in-line. Like fuses, they are rated in amperes.

Each circuit breaker conducts current through an arm made of two types of metal fastened together (bimetal arm). If the arm starts to carry too much current, it heats up. As one metal expands faster than the other the arm bends, opening the contacts. Current flow is broken. In the cycling type, the arm cools and straightens out. This closes the circuit again. This cycle repeats as long as the overcurrent exists, with power applied.

In the non-cycling type, there is also a coil wrapped around the bimetal arm. When an overcurrent exists and the contacts open, a small current passes through the coil. This current through the coil is not large enough to operate a load, but it does heat up both the coil and bimetal arm. This keeps the arm in the open position until power is removed.

FUSE LINKS



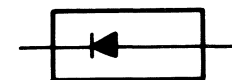
The fuse link is a short length of wire smaller in gauge than the wire in the protected circuit. The wire is covered with a thick non-flammable insulation. An overload causes the link to heat and the insulation to blister. If the overload remains, the link will melt, causing an open circuit. The links are color coded for wire size as follows:

COLOR CODE

BLUE	20 GA
BROWN	18 GA
BLACK	16 GA
GREEN	14 GA

When replacing, make tight crimp joints or hot solder joints for good connections.

DIODES



Diodes are electrical devices that permit current to flow in one direction only. The current flows in the direction indicated by the arrow.

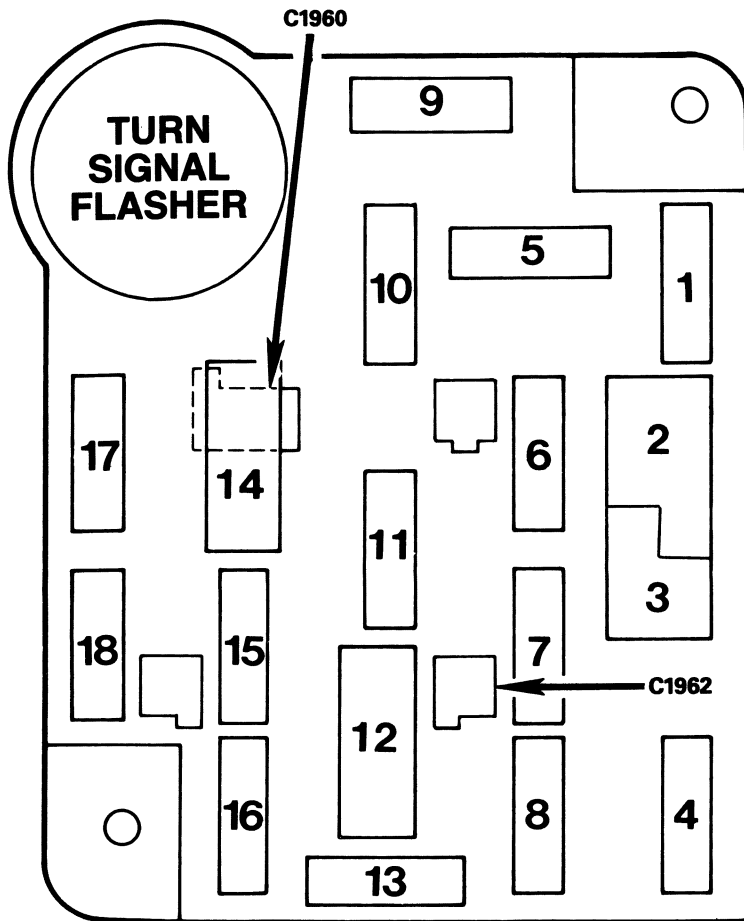


Figure 1 - Fuse Panel

Fuse Position	Amps	Circuits Protection
1	15	Stop/Hazard Lamps; Speed Control
2	—	(Not used)
3	—	(Not used)
4	15	Exterior Lamps; Instrument Illumination; Glove Compartment Lamp;
5	15	Map Lamp; Turn Lamps; Backup Lamps; Rear Window Defrost; E40D Transmission
6	15	Speed Control; Electronic Shift-4 Wheel Drive; Cargo Lamp (Bronco)
7	—	(Not Used)
8	15	Courtesy, Dome, Cargo Lamp (F-Series); Warning Buzzer
9	30	Heater; A/C-Heater
10	5	Instrument Illumination; Clock Dimming
11	15	Radio; Main Light Switch; Clock Illumination
12	25	Tailgate Power Window; Power Mirrors
13	30 c.b.	Power Door Locks; Electronic Shift-4 Wheel Drive
14	—	(Not used)
15	25	Tailgate Power Window
16	30 c.b.	Power Windows
17	10	Auxiliary Fuel Tank Selector
18	30	Horn; Cigar Lighter; Speed Control; 4.9L EFI After Run Blower
	20	Anti-lock Brakes
	15	Seatbelt Buzzer; Warning Indicators; Diesel Glow Plug Control; Diesel Indicators; Tachometer

Fuse Value Amps	Color Code
4	Pink
5	Tan
10	Red

Power Distribution

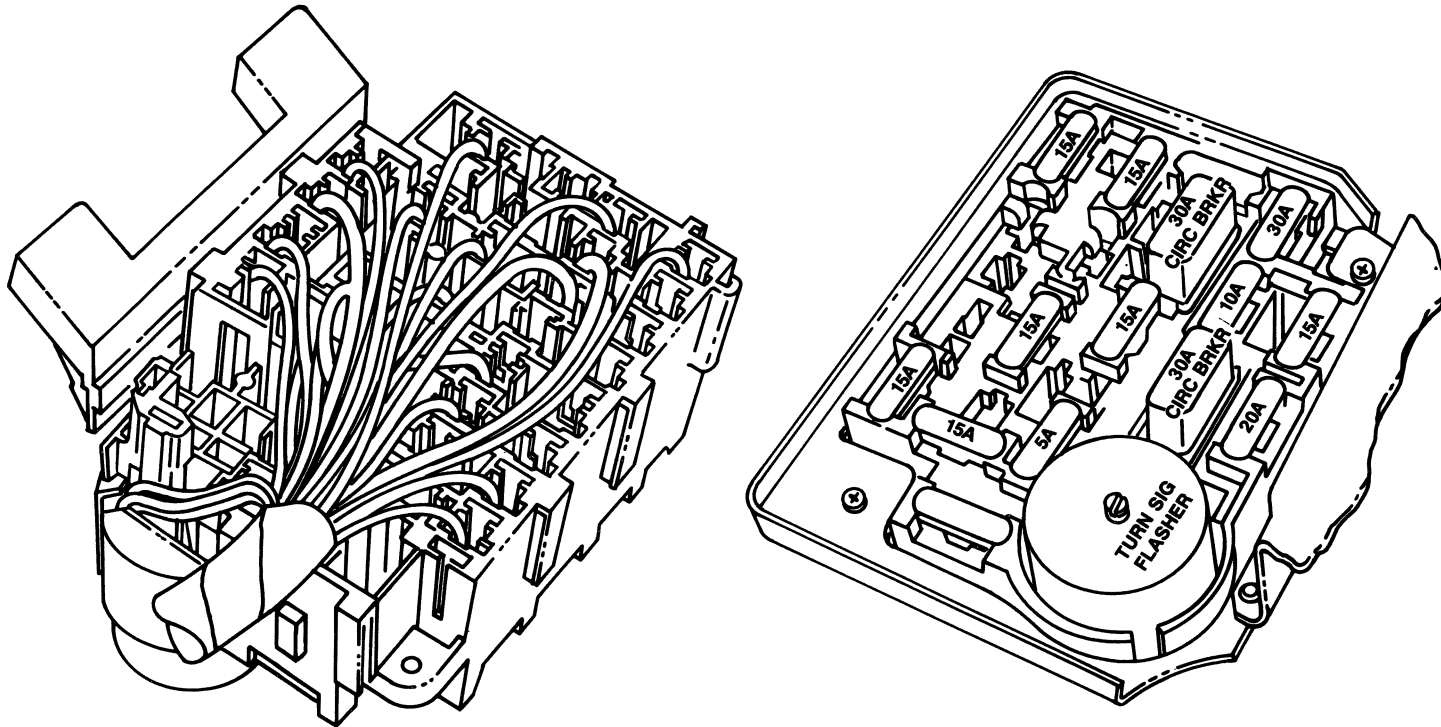
The **Alternator** and **Battery** are connected together at the **Starter Relay** hot terminal. Other circuits originate at the **Starter Relay** hot terminal and are protected by fuse links. Low power circuits are also protected by fuses.

The **Ignition Switch** and **Main Light Switch** are powered at all times as are **Fuses 1, 4, 8, 12, and 16**. The other fuses are powered through the **Ignition Switch** or the **Main Light Switch**.

100% SATISFACTION GUARANTEED

BUY IT NOW!

Click Here To Order



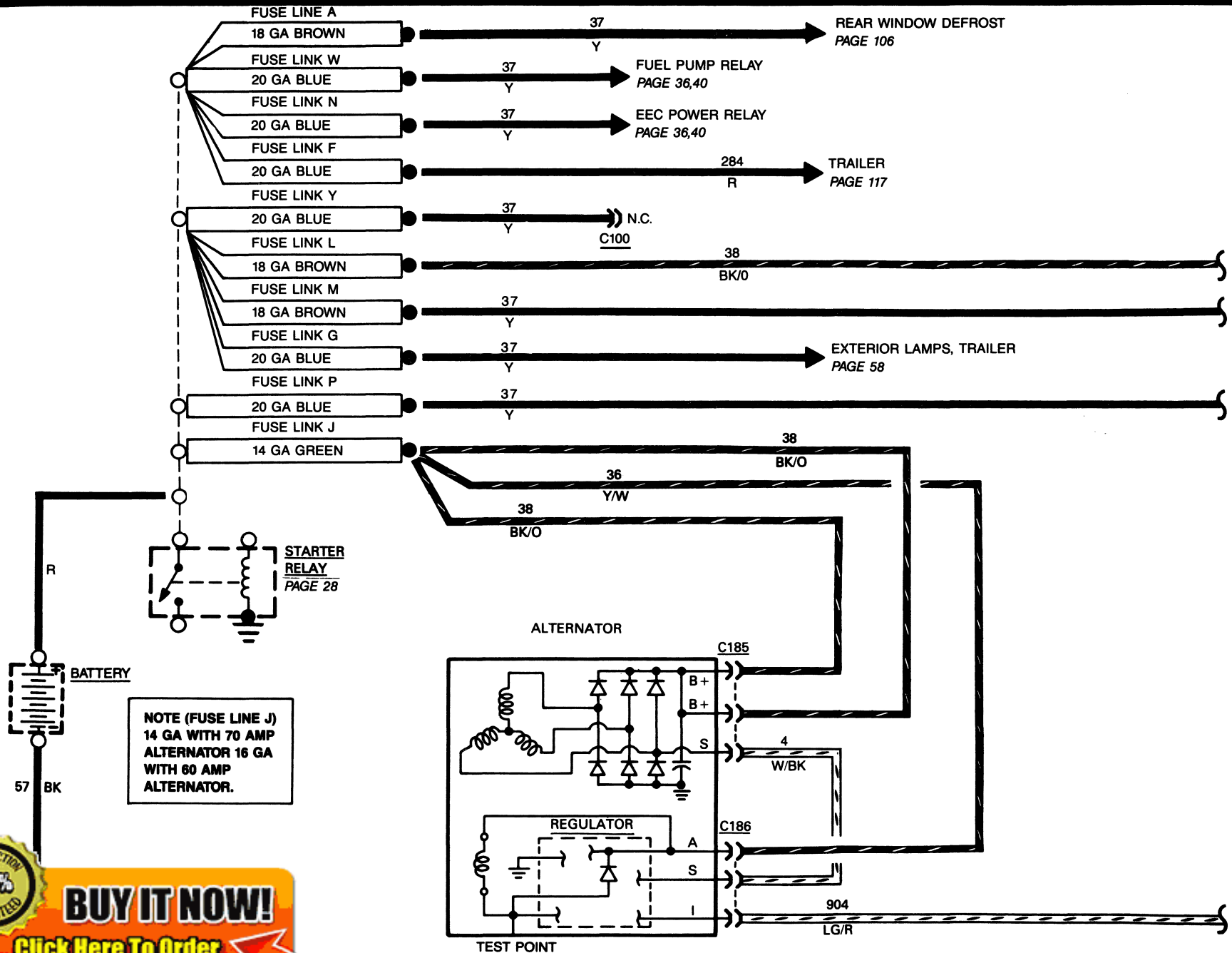
100% SATISFACTION GUARANTEED

BUY IT NOW!

Click Here To Order

PayPal American Express Cards Discover NOWUS MasterCard VISA

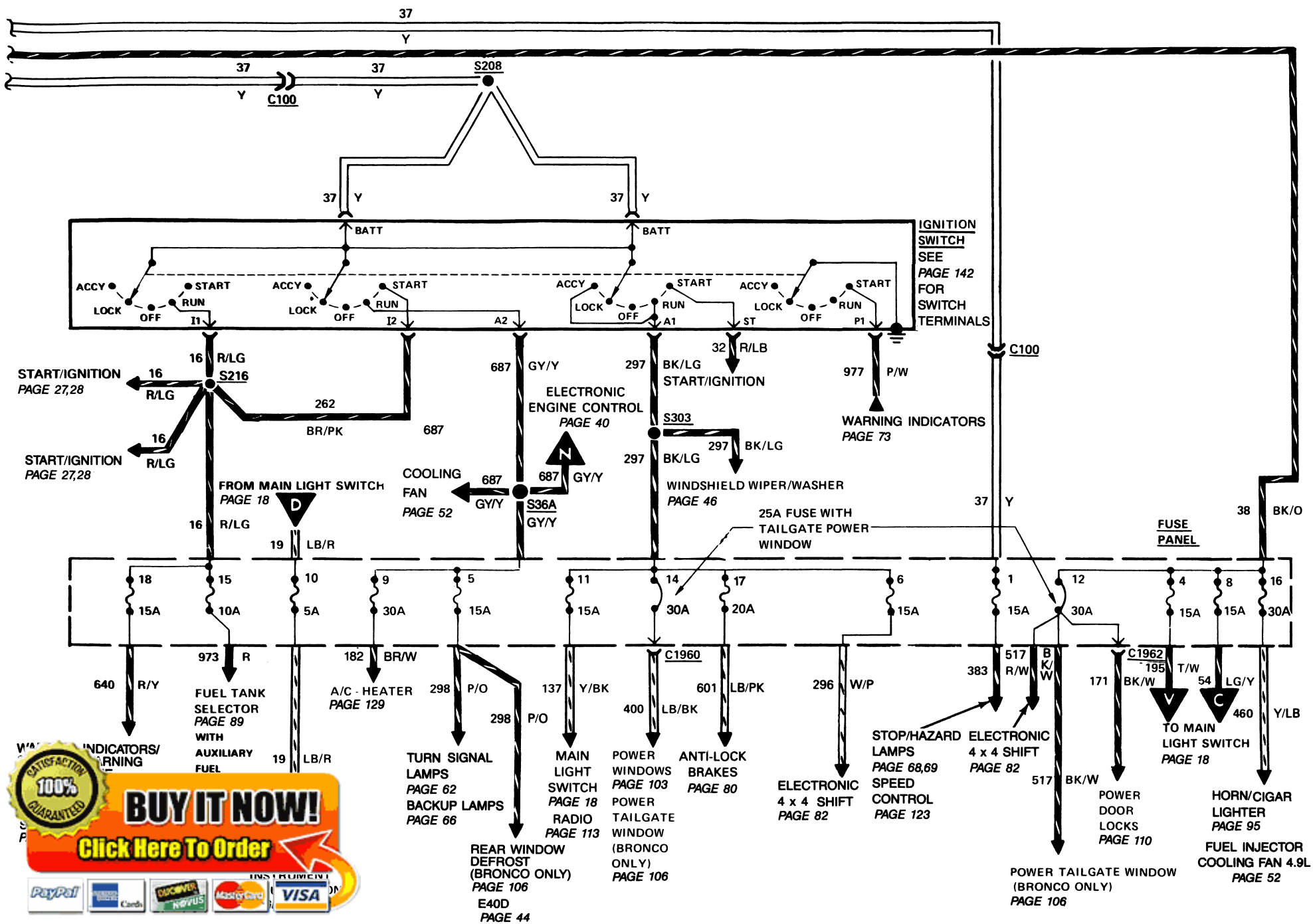
Figure 1 - Fuse Panel



100% SATISFACTION GUARANTEED

BUY IT NOW!

Click Here To Order



100% SATISFACTION GUARANTEED

BUY IT NOW!

Click Here To Order

INSURANCE

PayPal

Discover

MasterCard

VISA

HOW THE CIRCUIT WORKS

The **Battery, Alternator and Voltage Regulator** make up the **Charging System**. With the **Ignition Switch** in RUN, **Battery** voltage is applied through the solid-state electronic control of the **Voltage Regulator**. The electronic control applies **Battery** voltage to the **Alternator** field.

With current in the field and the rotor turning, the **Alternator** stator produces a DC voltage at B+ terminals (to **Battery**). If the **Alternator** output voltage is greater than the **Battery** terminal voltage, current will flow from the **Alternator** to the **Battery**, as well as to the vehicle electrical load.

If the **Alternator** voltage is less than the **Battery** terminal voltage, current will flow from the **Battery** to supplement the alternator output in supplying the vehicle electrical load.

COMPONENT LOCATION

Page-
Figure

Fuse Links A,F,G,J,L,P, M, N, Y, W	Near starter relay	—
Radio Noise Capacitor ...	Attached to voltage regulator	—
Starter Relay	On RH fender apron	—

Refer to the **Location Index** in the back of the manual for connector, ground, diode and splice descriptions and locations.

Refer to section 31-01 of the shop manual.

TROUBLESHOOTING HINTS

CONDITION	POSSIBLE CAUSE	ACTION
• Improper Charging	<ul style="list-style-type: none"> • Loose/worn alternator belt • Defective/dead battery • Fuse Link J open at starter relay • Poor connection between battery terminals and cable clamps/damaged cables 	<ul style="list-style-type: none"> • Tighten/replace • Replace battery • Visually check for open in link, replace • Clean, tighten and/or replace
• Alternator Warning Indicator remains on after initial start up	<ul style="list-style-type: none"> • Poor connection on Alternator, Regulator, Starter Relay and/or Alternator Output Control Relay 	<ul style="list-style-type: none"> • Make sure connections are clean and tight and refer to shop manual section 31-01, Charging System Diagnosis



BUY IT NOW!
Click Here To Order



CONNECTOR LOCATION

		Page- Figure	Color	Terminals
C386	Near RH battery	—		1
C406	LH cowl under I/P	—	GY	4
C420	Engine compartment LH side	—	BK	4
C425	RH cowl	—	BK	6
C426	RH cowl side	—	GY	2
C427	RH cowl side — electric shift module	—	GY	8
C428	RH cowl side — electric shift module	—	W	10
C429	RH cowl side — electric shift module	—	BR	5
C430	At electric shift transfer case	—	BK	10
C431	At electronic shift switch	—		6
C450	LH side rear support cross	—	BK	2
C522	Behind center of I/P at radio	—		8
C523	Lower LH cowl access hole	—	BR	2
C524	Lower RH cowl access hole	114-1	BR	2
C550	At windshield wiper/washer switch	102-1	BK	10
C650	At RH door lock motor	—	BK	2
C701	At main light switch	—	BK	8
C714	At speed control amplifier	—	GR	8
C717	At speed control amplifier	—	GY	6
C752	LH side of hood at engine compartment lamp	—		1
C753	At speed control servo	—	BR	6
C755	At clutch switch	—	GR	2
C789	LH side of driver's seat on floor pan	79-1	GY	2
C850	Lower LH cowl access hole	—	GY	4
C906	At LH cowl access hole	—		2
C913	At center of rear body markers	60-5		4
C915	Engine compartment LH side	—	BK	2
C918	Near LH side of rear crossmember	60-2	BK	4
C950	At LH rear	61-8		4
C951	Near RH side of rear crossmember	60-6	BR	2
C952	At front of RH side body marker	—	BK	4
C953	At RH rear	61-8	BK	4
C954	In forward part of cab roof	59-1	BK	2
C955	In forward part of cab roof	59-1	BK	2
C	In forward part of cab roof	59-1	BK	2
C	At front of cab roof	59-1	BK	2
C		59-1	BK	2
C		—	BK	3
C		—	GY	4
C		61-9	BK	4
C1114	LH rear of frame	61-9	BR	6
C		—	BR	3

		Page- Figure	Color	Terminals
C1114	LH rear of frame			4
C1206	At rear crossmember	65-1	GY	3
C1907	Behind LH rear lamp	109-4	BR	3
C1951	Behind LH rear crossmember	109-5	BR	1
C1952	Behind LH rear lamp	109-4	BR	1
C1953	LH cowl center access hole	—	GY	8
C1954	RH cowl center access hole	—	GR	8
C1955	LH cowl area	—		2
C1960	On fuse panel	—	N	1
C1962	At fuse panel	—	BL	2
C1963	LH frame rail	—	BK	2
C1964	Engine compartment LH side	—	BK	4

SPLICE LOCATION

S101	Near inline fuel pump T/O	—		
S108	Near tailgate power window switch T/O	—		
S109	Near tailgate power window switch T/O	—		
S110	Near fuel pump relay T/O	—		
S111	Near starter relay T/O	—		
S112	Near EEC module T/O	—		
S113	Near C115 T/O	—		
S114	Near C114 T/O	—		
S115	Near manifold pressure sensor T/O	—		
S116	Near manifold pressure sensor T/O	—		
S117	Near C100 T/O	—		
S118	Near EEC module T/O	—		
S119	Near E40D T/O	—		
S120	Near speed control amplifier T/O	—		
S121	Near C112 T/O	—		
S123	Near EEC module T/O	—		
S124	Near backup lamp switch T/O	—		
S125	Near backup lamp switch T/O	—		
S126	Near C100 T/O	—		
S129	Near E40D Transmission	—		
S140	Between S142 and S143	—		
S142	Near T/O to no. 4 fuel injector	—		
S143	Near T/O to no. 8 fuel injector	—		
S150	In ignition coil lead	—		
S152	Near LH backup lamp T/O	—		
S153	Near license lamp T/O	—		
S154	Near front fuel gauge sender T/O	—		
S155	Near ERBP valve T/O	—		
S156	Near fuel line heater T/O	—		
S157	Near LH headlamp T/O	—		



BUY IT NOW!

Click Here To Order



150 LOCATION INDEX

SPLICE LOCATION

S158	Near LH glow plugs T/O	—
S159	Near RH glow plugs T/O	—
S160	Near ignition coil T/O	—
S161	Near clutch interlock switch T/O	—
S162	Near heater control switch T/O	—
S163	Near heater control switch T/O	—
S165	In T/O to throttle air bypass solenoid	—
S167	In T/O to map sensor	—
S168	Near T/O to EEC diode	—
S170	Near battery	—
S172	Near T/O to EEC diode	—
S174	Near T/O to EEC power relay	—
S175	Near cooling fan relay T/O	—
S176	Near fuel tank selector valve T/O	—
S177	Near fuel tank selector valve T/O	—
S185	Near radio T/O	—
S190	Near backup lamp T/O	—
S200	Near clutch switch T/O	—
S201	Near T/O to C100	—
S202	Near T/O to fuel pump relay	—
S208	Near main light switch T/O	—
S216	Near steering column connector T/O	—
S217	Near ignition switch T/O	—
S220	Near LH courtesy lamp T/O	—
S221	Near ignition switch T/O	—
S270	Between T/O's to EEC power relay	—
S271	Near T/O to C178 (LH side)	—
S272	Near main light switch T/O	—
S276	Near T/O to C178 (LH side)	—
S277	Near T/O to C178 (RH side)	—
S303	Near main light switch T/O	—
S305	In ignition coil lead	—
S350	Near main light switch T/O	—
S352	Near vehicle speed sensor T/O	—
S353	Near vehicle speed sensor T/O	—
S354	Near LH horn T/O	—
S355	Near clutch switch T/O	—
S356	Near fan harness	—
S357	Near fan harness	—
S358	Near fan harness	—
S359	Near fan harness	—
S360	Near fan harness	—
S361	Near fan harness	—
S362	Near fan harness	—
S363	Near fan harness	—
S364	Near fan harness	—
S365	Near fan harness	—
S366	Near fan harness	—
S367	Near fan harness	—
S368	Near fan harness	—
S369	Near fan harness	—
S370	Near fan harness	—
S371	Near fan harness	—
S372	Near fan harness	—
S373	Near fan harness	—
S374	Near fan harness	—
S375	Near fan harness	—
S376	Near fan harness	—
S377	Near fan harness	—
S378	Near fan harness	—
S379	Near fan harness	—
S380	Near fan harness	—
S381	Near fan harness	—
S382	Near fan harness	—
S383	Near fan harness	—
S384	Near fan harness	—
S385	Near fan harness	—
S386	Near fan harness	—
S387	Near fan harness	—
S388	Near fan harness	—
S389	Near fan harness	—
S390	Near fan harness	—
S391	Near fan harness	—
S392	Near fan harness	—
S393	Near fan harness	—
S394	Near fan harness	—
S395	Near fan harness	—
S396	Near fan harness	—
S397	Near fan harness	—
S398	Near fan harness	—
S399	Near fan harness	—
S400	Near fan harness	—
S401	Near fan harness	—
S402	Near fan harness	—
S403	Near fan harness	—
S404	Near fan harness	—
S405	Near fan harness	—
S406	Near fan harness	—
S407	Near fan harness	—
S408	Near fan harness	—
S409	Near fan harness	—
S410	Near fan harness	—
S411	Near fan harness	—
S412	Near fan harness	—
S413	Near fan harness	—
S414	Near fan harness	—
S415	Near fan harness	—
S416	Near fan harness	—
S417	Near fan harness	—
S418	Near fan harness	—
S419	Near fan harness	—
S420	Near fan harness	—
S421	Near fan harness	—
S422	Near fan harness	—
S423	Near fan harness	—
S424	Near fan harness	—
S425	Near fan harness	—
S426	Near fan harness	—
S427	Near fan harness	—
S428	Near fan harness	—
S429	Near fan harness	—
S430	Near fan harness	—
S431	Near fan harness	—
S432	Near fan harness	—
S433	Near fan harness	—
S434	Near fan harness	—
S435	Near fan harness	—
S436	Near fan harness	—
S437	Near fan harness	—
S438	Near fan harness	—
S439	Near fan harness	—
S440	Near fan harness	—
S441	Near fan harness	—
S442	Near fan harness	—
S443	Near fan harness	—
S444	Near fan harness	—
S445	Near fan harness	—
S446	Near fan harness	—
S447	Near fan harness	—
S448	Near fan harness	—
S449	Near fan harness	—
S450	Near fan harness	—
S451	Near fan harness	—
S452	Near fan harness	—
S453	Near fan harness	—
S454	Near fan harness	—
S455	Near fan harness	—
S456	Near fan harness	—
S457	Near fan harness	—
S458	Near fan harness	—
S459	Near fan harness	—
S460	Near fan harness	—
S461	Near fan harness	—
S462	Near fan harness	—
S463	Near fan harness	—
S464	Near fan harness	—
S465	Near fan harness	—
S466	Near fan harness	—
S467	Near fan harness	—
S468	Near fan harness	—
S469	Near fan harness	—
S470	Near fan harness	—
S471	Near fan harness	—
S472	Near fan harness	—
S473	Near fan harness	—
S474	Near fan harness	—
S475	Near fan harness	—
S476	Near fan harness	—
S477	Near fan harness	—
S478	Near fan harness	—
S479	Near fan harness	—
S480	Near fan harness	—
S481	Near fan harness	—
S482	Near fan harness	—
S483	Near fan harness	—
S484	Near fan harness	—
S485	Near fan harness	—
S486	Near fan harness	—
S487	Near fan harness	—
S488	Near fan harness	—
S489	Near fan harness	—
S490	Near fan harness	—
S491	Near fan harness	—
S492	Near fan harness	—
S493	Near fan harness	—
S494	Near fan harness	—
S495	Near fan harness	—
S496	Near fan harness	—
S497	Near fan harness	—
S498	Near fan harness	—
S499	Near fan harness	—
S500	Near fan harness	—

SPLICE LOCATION

S504	Near instrument cluster T/O	—
S507	Near warning buzzer T/O	—
S508	Near warning buzzer T/O	—
S509	Near anti-lock brake module T/O	—
S510	Near anti-lock brake module T/O	—
S511	Near anti-lock brake module T/O	—
S512	Near fuel tank selector T/O	—
S513	Near fuse panel T/O	—
S515	Near driver's tailgate window switch T/O	—
S517	Near LH courtesy lamp T/O	—
S520	Near warning buzzer T/O	—
S530	Near clutch interlock switch T/O	—
S536	Near windshield wiper motor T/O	—
S538	Engine compartment near air charge sensor T/O	—
S543	Near brake sensor T/O	—
S545	Near LH headlamp T/O	—
S547	Engine compartment near HEGO ground T/O	—
S548	Engine compartment near #5 fuel injector T/O	—
S549	Engine compartment near #3 fuel injector T/O	—
S550	Near brake sensor T/O	—
S551	Engine compartment near #3 fuel injector T/O	—
S552	Engine compartment near throttle air bypass solenoid T/O	—
S554	Near speed sensor T/O	—
S555	Near ignition module T/O	—
S556	Near ignition module T/O	—
S560	Near fuel sedimenter bowl T/O	—
S562	Near A/C clutch T/O	—
S563	Near A/C clutch T/O	—
S567	Near T/O to A/C pressure cycling switch	—
S570	Near fuel tank sender T/O	—
S571	Near fuel tank sender T/O	—
S576	Near LH backup lamp T/O	—
S578	Near LH backup lamp T/O	—
S583	Near T/O to A/C clutch coil	—
S584	Near T/O to A/C clutch coil	—
S590	In LH door near power window switch T/O	—
S603	Near blower motor switch T/O	—
S701	Near blower resistor T/O	—
S801	Near headlamp switch T/O	—
S805	Near cigar lighter T/O	—
S806	Near T/O to windshield wiper switch	—
S807	Near LH headlamp T/O	—
S808	Near RH park lamp T/O	—

100% SATISFACTION GUARANTEED

BUY IT NOW!

Click Here To Order

PayPal American Express Discover MasterCard VISA

SPLICE LOCATION

S811	Near ignition switch T/O	—
S814	Near windshield wiper illumination lamp T/O	—
S815	Near G701 T/O	—
S850	Near main light switch T/O	—
S852	Near LH master window control switch T/O	—
S853	Near LH master window control T/O	—
S854	Front LH door near speaker T/O	—
S858	Near LH master window control T/O	—
S902	Near RH side marker lamp T/O	—
S903	Near fuel gauge sender and pump T/O	—
S904	Near license lamp T/O	—
S1004	Near ignition switch T/O	—
S1103	Near RH courtesy lamp T/O	—
S1108	Near rear marker lamp T/O	—
S1109	Near LH front side marker lamp T/O	—
S1152	Near RH front side marker lamp T/O	—
S1205	Near rear license lamp T/O	—
S1207	Near dome lamp T/O	—
S1208	Near dome lamp T/O	—
S1902	Near tailgate power window switch T/O	—

GROUND LOCATION

G208	Near throttle position solenoid	—
G209	Center of dash panel	—
G210	At electronic voltage regulator	—
G211	Near starter motor relay	—
G301	Near underhood lamp	—
G502	Behind LH side of I/P	102-1
G701	Behind I/P at center	—
G703	At brace under steering column	—
G710	LH side of dash panel	—
G711	LH rear of engine	—
G751	At LH side of tailgate	—
G752	In LH door	—
G801	LH inner fender behind headlamp	—
G802	At RH inner fender behind headlamp	—
G803	At fuel sedimenter bowl	—
G804	At lower hole of LH quarter panel	—
G805	At RH inner fender behind headlamp	—
G903	At LH side of crossmember	60-2
G909	At lower LH cowl access hole	—
G1006	Rear LH side of frame at rear crossmember	61-9
G1201	At front LH side of engine	26-1

DIODE LOCATION

D100	150 mm (5.9 in.) from a/c clutch	132-3,4
D101	910 mm (35.9 in.) from cargo lamp	70-1
D200	1117 mm (44 in.) from parking brake switch	—
D201	520 mm (20.5 in.) from ignition switch	—

GROUND LOCATION

G	RH frame near battery	26-1
C	control	—
G1		—
G15		—
G19		—
G21		21-1, 2

100% SATISFACTION GUARANTEED

BUY IT NOW!

Click Here To Order

PayPal American Express Discover MasterCard VISA

We Want To Hear From You!

Do you have any suggestions for improving this publication?

FOR EXAMPLE . . .

- Did you find any errors?

If yes; Manual _____ Page _____

- Were any subjects not covered?

If yes; Please describe. _____

- Were any sections confusing or hard to understand?

If yes; Manual _____ Page _____

Please comment: _____

- Could you quickly find what you need? Yes _____ No _____

Suggestion: _____

- Tell us who you are:

Name _____

Address _____

Position _____ Company _____

if you could enclose a copy of each page, marked with your suggestions.



BUY IT NOW!

Click Here To Order



DO NOT STAPLE — USE TRANSPARENT TAPE

NO POSTAGE
NECESSARY
IF MAILED
IN THE
UNITED STATES

BUSINESS REPLY MAIL
FIRST CLASS PERMIT NO. 400 DEARBORN, MICH.

POSTAGE WILL BE PAID BY ADDRESSEE

**Ford Parts and Service Division
Advanced Service Engineering
Fairlane Technical Center
P.O. Box 1902
Dearborn, Michigan 48121**



BUY IT NOW!
Click Here To Order 





**WE SUPPORT VOLUNTARY
TECHNICIAN CERTIFICATION**



**Ford Parts and Service Division
Training and Publications Department**

100% SATISFACTION GUARANTEED

BUY IT NOW!

Click Here To Order 



FPS-12129-89