

Motorcraft



1973 - 1979

CAR PARTS MASTER CATALOG

Lincoln -

FORD MOTOR

Dearborn, MI



BUY IT NOW!

Click Here To Order



DEMO

This DEMO contains only a few pages of the entire manual/product.

Not all Bookmarks work on the Demo, but they do on the full version.

Features:

- Searchable text
- Printable pages
- Bookmarked for easy navigation
- High Resolution images
- Zoom to see exact details
- Money back Guarantee
- Available on USB and eBook download

Copyright © 2023, Forel Publishing Company, LLC, Woodbridge, Virginia

All Rights Reserved. No part of this book may be used or reproduced in any manner whatsoever without written permission of Forel Publishing Company, LLC. For information write to Forel Publishing Company, LLC, Woodbridge, VA 22192

1973-79 Lincoln-Mercury Cars Master Parts and Accessories Catalog

EAN: 978-1-60371-106-7

ISBN: 1-60371-106-6

Forel Publishing Company, LLC
Woodbridge, VA 22192
Email: sales@ForelPublishing.com
<https://www.ForelPublishing.com>



License #84356800

This publication contains material that is reproduced and distributed under a license from Ford Motor Company. No further reproduction or distribution of the Ford Motor Company material is allowed without the express written permission of Ford Motor Company.

Note from the Publisher

This product was created from the original Ford Motor Company's publication. Every effort has been made to use the original scanned images, however, due to the condition of the material; some pages have been modified to remove imperfections.

Disclaimer

Although every effort was made to ensure the accuracy of this book, no representations or warranties of any kind are made concerning the accuracy, completeness or suitability of the information, either expressed or implied. As a result, the information contained within this book should be used as general information only. The author and Forel Publishing Company, LLC shall have neither liability nor responsibility to any person or entity with respect to any loss or damage caused, or alleged to be caused, directly or indirectly by the information contained in this book. Further, the publisher and author are not engaged in rendering legal or other professional services. If legal, mechanical, electrical, or other expert assistance is required, the professional should be sought.



1973/79
LINCOLN-MERCURY CARS
MASTER PARTS AND ACCESSORIES CATALOG

**GENERAL
INFORMATION**

FORM FPS 8095-A

(Text Only)

FORD PARTS and SERVICE DIVISION

INDEX

Abbreviations	22,23
Accessory Weight Chart	13 thru 19
Attaching Parts (Nuts, Bolts, etc.)	11
Body Type Codes	11
Build Date	See Owner Card
D. S. O	12
Engine Assembly Plant Codes.	37
Exhaust Systems Certification	4
F. S. O	12
Formats	4
General Instructions.	2
How to Order Parts	12
How to Use This Catalog	2
Identification.	3
Liquid measure	11
L. P. O	12
Locator Codes.	11
Metric to Inches Conversion Chart	20,21
Model Year Application	11
Owner Card	27
Right Hand and Left Hand Parts.	3
Soft Trim	11
Symbols Used Regularly in Catalog.	2
Vehicle Catalog Codes	2
FORD PART NUMBERING SYSTEM	
Body Parts Group Numbering System	4
Explanation of the Ford Part Numbering System.	4
Group Numbers and Related Catalog Sections	8, 9, 10
Motorcraft Sales Numbers	3
Part Name Index (Body Parts)	7
Part Name Index (Chassis Parts).	5, 6
Part Name Index (Soft Trim Parts).	7
CERTIFICATION LABEL	
Air Conditioning	33
Assembly Plant Codes.	28
Body Type Codes	31, 32
Build Date Stamp Location.	36
Color Codes (Exterior Paint).	33
Diagrams and Instructions	24, 25, 26
District Codes.	37
Engine Assembly Plant Codes.	37
Engine Codes	30
Front-Rear Spring Codes.	36
Month Codes.	36
Production Effective Dates	28
Radio Type Codes.	34
Rear Axle Ratio Codes	35
Series Codes.	29, 30
Sun Roof/Moon Roof Codes.	34
Transmission Codes.	35
Trim Codes	33
Vehicle Identification Number.	24, 25, 26
Vinyl Bodyside Moulding Codes.	32
Vinyl Roof Type and Color Identification.	32
Year Codes	28
CAPRI WARRANTY PLATE	
Diagrams and Instructions	38
Vehicle Number.	41
Codes.	39, 40

**GENERAL
INFORMATION**

**1973/79
LINCOLN-MERCURY CARS**

SYMBOLS USED REGULARLY IN CATALOG

The following symbols appearing on revised pages are to be interpreted as follows -

- * Indicates Motorcraft Sales Part Number
- # Indicates some form of identification such as part number, stamping, paint stripes and tags.
- ★ Symbol indicates part is not supplied for service for the following reasons -
 - a. Part is superseded and replaced as indicated in the description column of text.
 - b. Part can be improvised as indicated in the description column of text.
 - c. Due to its function there would be little or no demand.

NOTE - ALWAYS REFER TO THE DESCRIPTION COLUMN OF THE TEXT FOR POSSIBLE SUBSTITUTION, OR FOR MATERIAL SPECIFICATIONS AND DIMENSIONS WHICH MAY BE HELPFUL IN OBTAINING THE NON-SERVICED PART LOCALLY.

VEHICLES and RELATED CATALOG CODES

CATALOG CODES and RELATED VEHICLES

Bobcat	L	A	Mercury
Capri	J	C	Montego (1973/76)
Comet (1973/77)	P	D	Lincoln-Continental
Cougar	F	F	Cougar
Lincoln-Continental	D	G	Monarch
Mark IV (1973/76)	K	J	Capri
Mark V (1977/)	K	K	Mark IV (1973/76, Mark V (1977/)
Mercury	A	L	Bobcat
Meteor (1973/76)	Y	P	Comet (1973/77)
Monarch	G	P	Zephyr (1978/)
Montego (1973/76)	C	V	Versailles
Versailles	V	Y	Meteor (1973/76)
Zephyr (1978/)	P		

GENERAL INSTRUCTIONS

This Lincoln-Mercury Car Master Parts Catalog contains replacement parts and accessories information for Bobcat, Capri, Comet, Cougar, Lincoln, Mark IV, Mark V, Mercury, Meteor, Monarch, Montego, Versailles, and Zephyr for model year 1973/ for U.S. and Canadian built vehicles. Unique Canadian part numbers and application have been identified by symbol (♣) and footnoted. Unique U.S. part numbers and application have been identified by symbol (♠) and footnoted. Use this "text" catalog in conjunction with the "illustration" catalog, form FPS 8095-B.

Refer to the Index on page 1 for a listing of the items appearing in the General Information Section.

HOW TO USE THIS CATALOG

There are three ways of finding part numbers

1. By Part Name
2. By Illustration
3. By Identification

Should an inquiry be received for a fuel pump for a 1973 Lincoln-Continental -

BY PART NAME

- A. Refer to the Chassis Parts Alphabetical Index.
- B. Refer to the alphabetical nomenclature and find the part name "Pump assy. (fuel)". The group number listed is 9350.
- C. Refer to group number 9350 and locate the year 1973 in the "YEAR" column. Find the vehicle catalog code "D" (for Lincoln-Continental) in the "MODEL/RESTRICTIONS" column.
- D. The part number shown is D0VY 9350-A.



BUY IT NOW!

Click Here To Order



1973/79 LINCOLN-MERCURY CARS

**GENERAL
INFORMATION**

3

BY ILLUSTRATION

- A. Refer to the Illustration Catalog (form FPS 8095-B) to the divider marked "FUEL".
- B. Refer to the index immediately behind the divider and find the illustration titles for 1973 D (Lincoln-Continental).
- C. Under the heading "D (LINCOLN)" find the "Fuel pump and filter" illustration for the 1973 Lincoln-Continental.
- D. Refer to the illustration designated (on page 1 of Illustration Section 93) and find the group number for the fuel pump assy. to be 9350.
- E. Refer to group number 9350 in this Text Catalog and locate 1973 in the "YEAR" column. Find the vehicle catalog code "D" (for Lincoln-Continental) in the "MODEL/RESTRICTIONS" column.
- F. The part number shown is D0VY 9350-A.

BY IDENTIFICATION

Certain parts and most major assemblies are identified with a part number shown on an attached tag or plate or on the part itself. Reference to identification numbers is made throughout the catalog and cross reference charts are included in some sections to provide immediate knowledge of the service part number when the identification number is known. All identification information other than charts will be preceded by the symbol (#).

IMPORTANT - Identification tags and plates must be retained with the part or assembly with which they are originally supplied.

R. H. and L. H. PARTS

The driver's side is the left hand side of the vehicle and determines whether such parts as fenders, lamps, etc. are right or left hand.

Most Right Hand and Left Hand parts are listed in adjacent columns as shown in the following examples.

YEAR	MODEL/RESTRICTIONS	PART NUMBER	DESCRIPTION	QTY.
73	A(53, 57, 71), Y(53, 71)	(RH) D3MY 5320124-A (LH) D3MY 5320125-A		1
73/74	D(65)	(RH) D3VY 6520124-B (LH) D3VY 6520125-B		1

MOTORCRAFT SALES PART NUMBERS

To facilitate the stocking and handling of those service parts which are assigned both service part numbers and Motorcraft Sales Part Numbers, the Motorcraft Sales Part Numbers are preceded by an asterisk (*) and are usually located at the beginning of the description column.

For example, refer to Section 96, group 9601. The service part number for a carburetor air cleaner element used on a 1973 Cougar with an 8 cyl. 351-2/B engine is D3ZZ 9601-A and the Motorcraft Sales Part Number is *FA-574. In the catalog this item will be shown as D3ZZ 9601-A *FA-574.

YEAR	MODEL/RESTRICTIONS	ENGINE		PART NUMBER	DESCRIPTION	QTY.
		CYL.	C.I.D.			
73	F	8	351-2/B	D3ZZ 9601-A	*FA-574	



BUY IT NOW!

Click Here To Order

COPYRIGHT © 1986 — FORD MOTOR — DEARBORN, MICHIGAN
COMPANY

New Issue



GENERAL INFORMATION

**1973/79
LINCOLN-MERCURY CARS**

FORMATS

Various formats are used throughout this catalog to coincide with the normal procedure for selecting the affected part numbers. Most areas of the catalog use a format arranged in the order shown below.

Column -

1. Model year
2. Type of vehicle or equipment within a specific model year
3. Quantity required per vehicle
4. Description, size, etc.
5. Complete part number

Formats peculiar to a particular area of the catalog are generally self explanatory. When necessary, instructions are shown at the beginning of the affected group. For instance, the various charts and parts list method of cataloging in the Carburetor Section are explained on Page 1 of Section 95.

EXHAUST SYSTEMS CERTIFICATION

"For their intended application as specified in this catalog, the exhaust system parts and systems listed for sale have been certified to be in compliance with the requirements of the rules of the Florida Department of Environmental Regulation (Chapter 17-18, Part III of the Florida Administrative Code), and the regulations of the California Highway Patrol (Chapter 2, Part 1052) for exhaust system certification."

EXPLANATION OF THE FORD PART NUMBERING SYSTEM

For greater convenience this catalog is divided into specific sections, such as brakes, front suspension, engine, transmission, etc. For example, FRONT SUSPENSION appears in Section 30, STEERING WHEELS in Section 36, REAR AXLE in Section 40, etc. The applicable exploded illustrations are contained in separate sections which are related to the Text Section numbers. For example, STEERING WHEEL Illustrations appear in Illustration Section 36 of the "Illustrations" Catalog, form FPS 8095-B

The part number groups, part names and the section numbers under which each is listed are shown on pages 8 thru 10 of the General Information Section.

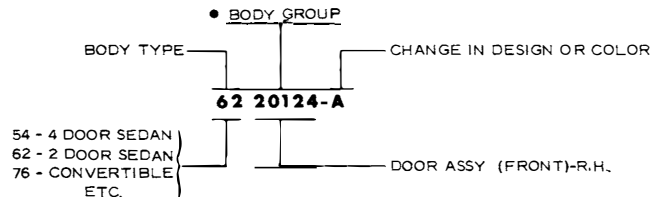
In numerical listings, expanded group numbers will be considered to follow the same sequence as the regular group numbers from which they are expanded and are arranged in Catalogs as follows.

3538	3634
3C538	3A634

Illustrations contain group numbers only, therefore, it is necessary to refer to the group within this "text" catalog for complete applicable part numbers.

BODY PARTS GROUP NUMBERING SYSTEM

FOLLOWING IS A DIAGRAM OF THE BODY PARTS GROUP NUMBERING SYSTEM



- These five digits comprise the Body Group Numbers used throughout each body parts section.

100% SATISFACTION GUARANTEED

BUY IT NOW!

Click Here To Order

PayPal American Express Discover MasterCard VISA

PART NAME INDEX

Below are various major groups appearing in the Chassis and Body Sections of this Catalog. An Alphabetical Index for all chassis parts follows the General Information Section. A complete index of body parts is included at the beginning of the Body Section and a complete index of soft trim parts is included at the beginning of the Soft Trim Sections.

CHASSIS PARTS INDEX

MAJOR GROUP	● TABBED DIVIDER TITLE	SECTION
Accelerator Linkage	Fuel-Carburetor-Accelerator	97
Accessories	Listed in their appropriate groups as identified in this index	
Adhesives	Paint-Wheel-Brake	Paint
Air Cleaner	Fuel-Carburetor-Accelerator	96
Air Conditioner	Speedometer-Bumper	190, 197
Alternator	Generator-Alternator-Starter-Distributor	103
Automatic Transmission	Automatic Transmission	A70
Axle (Rear)	Front Suspension-Steering-Rear Axle	40
Battery	Generator-Alternator-Starter-Distributor	103
Belt (Drive)	Cooling-Grille	86
Brake System	Paint-Wheel-Brake	20
Bulbs	Lamps-Wiring	130
Bumpers	Speedometer-Bumper	176
Carburetor	Fuel-Carburetor-Accelerator	95
Chemicals	Paint-Wheel-Brake	Paint
Clutch	Manual Transmission-Clutch	71
Clutch (Fan)	Cooling-Grille	86
Cooling System	Cooling-Grille	80
Distributor	Generator-Alternator-Starter-Distributor	120
Driveshaft	Front Suspension-Steering-Rear Axle	46
Engine	Engine	60
Exhaust System	Frame-Muffler-Spring	50
Fan	Cooling-Grille	86
Fenders	Fender-Hood	160
Frame	Frame-Muffler-Spring	50
Front Springs	Frame-Muffler-Spring	53
Front Suspension	Front Suspension-Steering-Rear Axle	30
Fuel Pump	Fuel-Carburetor-Accelerator	93
Fuel Tank	Fuel-Carburetor-Accelerator	90
Gearshift Lever	Manual Transmission-Clutch	71
Grille	Cooling-Grille	80
Heater	Speedometer-Bumper	180
Hood	Fender-Hood	160
Horns	Lamps-Wiring	130
Hose (Radiator)	Cooling-Grille	80
Ignition Switch	Generator-Alternator-Starter-Distributor	110
Instrument Cluster	Generator-Alternator-Starter-Distributor	103
Jack	Speedometer-Bumper	170



PART NAME INDEX

CHASSIS PARTS INDEX - cont'd.

MAJOR GROUP	TABBED DIVIDER TITLE	SECTION
Lamps	Lamps-wiring	130
Lever (Gearshift)	Manual Transmission-Clutch	71
Linkage (Accelerator)	Fuel-Carburetor-Accelerator	97
Linkage (Steering)	Front Suspension-Steering-Rear Axle	30
Main Wiring	Lamps-Wiring	140
Manifold	Fuel-Carburetor-Accelerator	93
Mirrors	Speedometer-Bumper	176
Paint	Paint-Wheel-Brake	Paint
Pump (Fuel)	Fuel-Carburetor-Accelerator	93
Pump (Water)	Cooling-Grille	80
Pulley (Water Pump)	Cooling-Grille	80
Radiator	Cooling-Grille	80
Radio	Speedometer-Bumper	184
Radio Chassis	Speedometer-Bumper	180
Rear Axle	Front Suspension-Steering-Rear Axle	40
Regulator (Voltage)	Generator-Alternator-Starter-Distributor	103
Shock Absorber	Speedometer-Bumper	180
Speed Control	Fuel-Carburetor-Accelerator	97
Speedometer	Speedometer-Bumper	170, 172
Speedometer Drive and Driven Gears	Speedometer-Bumper	170, 172
Springs (Front)	Frame-Muffler-Spring	53
Springs (Rear)	Frame-Muffler-Spring	53
Stabilizer	Frame-Muffler-Spring	53
Steering Gear	Front Suspension-Steering-Rear Axle	30
Steering Linkage	Front Suspension-Steering-Rear Axle	30
Switch (Ignition)	Generator-Alternator-Starter-Distributor	110
Switch (Turn Indicator)	Lamps-Wiring	130
Tachometer	Speedometer-Bumper	173
Tank (Fuel)	Fuel-Carburetor-Accelerator	90
Thermactor	Fuel-Carburetor-Accelerator	93
Transmission (Automatic)	Automatic Transmission	A70
Transmission (Manual)	Manual Transmission-Clutch	70
Turn Indicator Switch	Lamps-Wiring	130
Voltage Regulator	Generator-Alternator-Starter-Distributor	103
Water Pump	Cooling-Grille	80
Wheels	Paint-Wheel-Brake	10
Windshield Washer	Speedometer-Bumper	173, 176
Windshield Wiper	Speedometer-Bumper	173
Wiring (Main)	Lamps-Wiring	140

100% SATISFACTION GUARANTEED

BUY IT NOW! is only

Click Here To Order







1973/79 LINCOLN-MERCURY CARS

GENERAL
INFORMATION

7

PART NAME INDEX

BODY and SOFT TRIM PARTS INDEX

MAJOR GROUP	● TABBED DIVIDER TITLE	SECTION
Air Foil	Body Front-Floor	000
Auxiliary Seat	Seat	600
Center Body Pillar	Side-Door-Pillar-Quarter	200
Console	Body Front-Floor	040
Cowl	Body Front-Floor	000
Door (Front)	Side-Door-Pillar-Quarter	200
Door (Rear)	Side-Door-Pillar-Quarter	200
Floor	Body Front-Floor	040
Folding Top	Soft Trim	Soft Trim
Folding Top Mechanism	Back-Luggage Compartment	500
Front Door	Side-Door-Pillar-Quarter	200
Front Seat Track	Seat	600
Glove Compartment	Body Front-Floor	040
Instrument Panel	Body Front-Floor	040
Liftgate	Back-Luggage Compartment	400
Luggage Compartment	Back-Luggage Compartment	400
Package Tray	Back-Luggage Compartment	400 and Soft Trim
Pillar (Center Body)	Side-Door-Pillar-Quarter	200
Quarter	Side-Door-Pillar-Quarter	270
Rear Door	Side-Door-Pillar-Quarter	200
Rear Seat	Seat	600
Roof	Back-Luggage Compartment	500
Seat (Auxiliary)	Seat	600
Seat (Front)	Seat	600
Seat (Rear)	Seat	600
Stripe Kits	Exterior Mouldings	Exterior Mouldings
Tailgate	Back-Luggage Compartment	400
Top (Folding)	Soft Trim	Soft Trim
Top Mechanism (Folding)	Back-Luggage Compartment	500
Track (Front Seat)	Seat	600
Windshield	Body Front-Floor	000



BUY IT NOW!

Click Here To Order



COPYRIGHT © 1986 — FORD MOTOR — DEARBORN, MICHIGAN
COMPANY

New Issue



GROUP NUMBERS and RELATED PART NAMES and CATALOG SECTIONS

Following is an index of the group number ranges, part name and their related catalog section numbers.

CHASSIS PARTS

GROUP NUMBER RANGE	PART NAME	CATALOG SECTION NUMBER
Miscellaneous	Paints and chemicals	Paint
1000 - 1999	Wheels, hubs and drums	10
2000 - 2099	Brakes	20
2001 and 2200	Brake shoe and lining details	20
2100 - 2199	Brakes	20
2200 - 2299	Brakes	20
2300 - 2399	Brake booster	23
2400 - 2999	Brake pedals and linkage	23
3000 - 3499	Front axle and front suspension	30
3500 - 3599	Steering gear	30
3600 - 3999	Steering wheel and column	36
3A635	P/S kit details	36.1
4000 - 4599	Rear axle	40
4600 - 4999	Driveshaft	46
5000 - 5199	Frame	50
5200 - 5299	Muffler	52.73, 52.74 etc.
5300 - 5399	Front springs	53
5310	Spring charts	53.73, 53.74 etc.
5400 - 5999	Stabilizers	53
6000 - 6899	Engine identification chart	60
	Engine parts list - 4 cyl. 122 (2000 cc), 140 (2300 cc)	60.1
	Engine parts list - 6 cyl. 159 (2600 cc), 171 (2800 cc)	60.1A
	Engine parts list - 6 cyl. 200, 250	60.2
	Engine parts list - 8 cyl. 302	60.3
	Engine parts list - 8 cyl. 351	60.4
	Engine parts list - 8 cyl. 400	60.5
	Engine parts list - 8 cyl. 429, 460	60.6
6900 - 7999	Manual transmission - exc. linkage	70
	Identification chart	70
	Application chart	70
	Manual transmission parts list - 4 speed Capri type	70.7
	Manual transmission parts list - 3 speed	70.3
	Manual transmission parts list - 4 speed German type	70.4
	Manual transmission parts list - 4 speed Ford type	70.5
7000 - 7299	Manual transmission linkage, etc.	71
7300 - 7499	Manual transmission linkage, etc.	71
7500 - 7999	Clutch	71
7000 - 7999	Automatic transmission - exc. linkage	A70
	Identification chart	A70
	Application chart	A70
	Automatic transmission parts list - Cruise-o-matic FMX type	A70.1
	Automatic transmission parts list - C4	A70.2
	Automatic transmission parts list - C6	A70.3
	Automatic transmission parts list - Borg Warner Capri	A70.4
	Automatic transmission parts list - C3	A70.5
	Automatic transmission parts list - Borg-Warner	A70.6
	Automatic transmission parts list - Jatco (PLA)	A70.7



BUY IT NOW!

Click Here To Order



**1973/79
LINCOLN-MERCURY CARS**

**GENERAL
INFORMATION**

GROUP NUMBERS and RELATED PART NAMES and CATALOG SECTIONS

CHASSIS PARTS - cont'd.

GROUP NUMBER RANGE	P A R T N A M E	CATALOG SECTION NUMBER
7000 - 7199	Automatic transmission linkage, cooling, etc.	A71
7200 - 7399	Automatic transmission linkage, etc.	A71
7400 - 7999	Automatic transmission linkage, etc.	A71
8000 - 8499	Radiator, grille and cooling	80
8500 - 8599	Water pump	80
8600 - 8999	Fan	86
8620	Drive belt identification chart	86
8620	Drive belt application	86
9000 - 9299	Fuel tank and lines	90
9300 - 9399	Fuel pump and gauge	93
9400 - 9499	Manifolds, thermostats and emission parts	93
9510	Carburetor application chart	95
9510	Carburetor identification chart	95
9500 - 9599	Carburetor	95
9500 - 9599	Carburetor parts lists	95.23 thru .34
9600	Air cleaner application chart	96
9600	Air cleaner identification chart	96
9600 - 9699	Air cleaner parts and related parts	96
9700 - 9999	Choke, accelerator and speed control	97
10346	Alternator application chart	103
10300 - 10599	Alternator, pulleys and mounting parts	103
10300	Alternator identification chart	103
10300 - 10599	Alternator parts lists	103.1 thru 103.4
10600 - 10999	Battery and instrument cluster parts	103
11000 - 11999	Starter and ignition and headlamp switches	110
11001	Starter identification chart	110
11001 - 11999	Starter parts lists	110.1 thru 110.4
12000 - 12999	Coil, distributor and spark plugs	120
12127	Distributor identification chart	120
12000 - 12999	Distributor parts lists	120.1 thru 120.2
13466	Miniature bulbs	130
13000 - 13399	Headlamps, parking lamps and turn indicators	130
13400 - 13699	License, tail and stop lamps	130
13700 - 13999	Courtesy and instrument panel lamps and switches and horns	130
14000 - 14399	Wiring - main and window regulator	140
14400 - 14499	Wiring - tail lamp and battery	140
14500 - 14999	Wiring, fuses and circuit breakers	145
15000 - 15999	Clock, cigar lighters, marker lamps and backup lamps	145
16000 - 16099	Front fenders and aprons	160
16000 - 16551	Fender ornamentation	Exterior Moulding
16000 - 16999	Fender, hood ornamentation retainers	Exterior Moulding Section "R"
16100 - 16599	Splash shields and radiator supports	160
16600 - 16999	Hood, hinges and latches	160
17000 - 17299	Jacks, speedometer and speedometer cables	170
17271 and 17285	Speedometer gear identification chart	170
17271 and 17285	Speedometer gear application chart	172.73 , 172.74 etc.
17300 - 17399	Speedometer, tachometer and license plate frame	173
17400 - 17599	Windshield wipers and washers	173
17600 - 17999	Windshield wipers and washers, bumpers and mirrors	173
18000 - 18399	Shock absorbers and heaters	180
18400 - 18999	Heaters, radios, antennas and speakers	180
19000 - 19999	Air conditioner parts	190
	lines	197

COPYRIGHT © 1986 — FORD MOTOR — DEARBORN, MICHIGAN
COMPANY

New Issue

100% SATISFACTION GUARANTEED

BUY IT NOW!

Click Here To Order

PayPal Discover MasterCard VISA

GROUP NUMBERS and RELATED PART NAMES and CATALOG SECTIONS

CHASSIS PARTS - cont'd.

GROUP NUMBER RANGE	PART NAME	CATALOG SECTION NUMBER
00000 - 01999	Body assemblies, air foils, air vents and dash panel	000
02000 - 02999	Cowl panel and front body pillar	000
03000 - 03999	Windshield	000
04200 - 04699	Instrument panel, console panel and visor arms	040
04700 - 09999	Ash receptacle and glove compartment	040
10000 - 19999	Floor, rocker panels and underbody parts	040
20000 - 20999	Front door, weatherstrips and interior mouldings	200
21000 - 21999	Front door windows, latches and mechanisms	200
22000 - 22999	Front door hinges, latches and handles	220
22050	Lock sets	220
20000 - 20999	Stripe kits and exterior mouldings	Exterior Moulding
20000 - 20999	Exterior moulding retainers	Exterior Moulding Section " R "
23000 - 23999	Front door window handles and regulators	230
24000 - 25999	Center body pillar, rear door, rear door windows, interior mouldings and weatherstrips	230
26000 - 26999	Rear door window mechanism and latches	230
24000 - 25999	Exterior mouldings	Exterior Moulding
24000 - 25999	Exterior moulding retainers	Exterior Moulding Section " R "
27000 - 27999	Rear door window regulators and quarter panels	270
28000 - 28999	Quarter latch pillar	270
29000 - 29999	Quarter window, interior mouldings and weatherstrips	270
29000 - 29999	Exterior mouldings	Exterior Moulding
29000 - 29999	Exterior moulding retainers	Exterior Moulding Section " R "
30000 - 39999	Quarter windows, weatherstrips and handles	270
40000 - 41999	Liftgate, tailgate and luggage compartment	400
42000 - 42999	Back window	400
43000 - 43999	Tailgate, latches, hinges and mechanism	400
44000 - 49999	Tailgate window and regulator and package tray	400
40000 - 49999	Transfers and exterior mouldings	Exterior Moulding
40000 - 49999	Exterior moulding retainers	Exterior Moulding Section " R "
50000 - 50999	Roof panel and folding top mechanism	500
51000 - 51999	Roof rails, weatherstrips and console	500
52000 - 52999	Roof bows and supports	500
53000 - 59999	Folding top mechanism and luggage carrier parts	500
50000 - 59999	Exterior mouldings	Exterior Moulding
50000 - 59999	Exterior moulding retainer	Exterior Moulding Section " R "
60000 - 60999	Seats, hinges and supports	600
61000 - 61499	Seats, head rest parts and seat belts	600
61500 - 61699	Seat side shields	600
61700 - 61999	Seat tracks and mechanism	600
62000 - 69999	Seat side shields and ash receptacles	600
00000 - 69999 (as applicable)	Soft trim	Soft trim - by model year



BUY IT NOW!

Click Here To Order



1973/79 LINCOLN-MERCURY CARS

**GENERAL
INFORMATION**

MODEL YEAR APPLICATION

Model year application is indicated by showing the first year followed by a diagonal line to indicate continued usage in all subsequent years until the insertion of the last year of usage, which will then be shown after the diagonal line. If no diagonal line is shown, the part is applicable only to the year shown.

Example -

- 73 Indicates part used 1973 model year only.
- 73/ Indicates part used 1973 through subsequent model years.
- 73/74 Indicates part used 1973 through 1974 model years.

Note that Bobcat unit built from June 27, 1977 and identified on the Certification Label as "8" will be merchandised in Canada as 1978 models. As of this printing this car line will be merchandised in the United States as 1977 models until announced otherwise. Catalog entries for this unit will be listed as shown in the following example:

- 77 L "Before 6/27/77"
- 77/78 L "From 6/27/77 to 8/1/77"
- 77/ L "From 8/1/77"

BODY TYPE CODES

Most body parts and some chassis parts are cataloged by Body Type Codes. A complete listing of body type codes is shown on pages 30 and 31 of this section. Similar body types are identified by the same code number. The body type suffix is used to identify a particular body type. For example, (Mercury) body type 53 is used as shown below -

- A (53B) Monterey 4 Door Pillared Hardtop
- A (53F) Monterey Custom 4 Door Pillared Hardtop
- A (53H) Marquis 4 Door Pillared Hardtop
- A (53K) Marquis Brougham 4 Door Pillared Hardtop
- A (53X) Marquis 4 Door Pillared Hardtop

Body type codes (less suffix) are shown in the model column of the catalog text or with illustration titles when all body types of a related group are affected. For example, when Body Type Code 53 is shown it includes 53B, 53F, 53H, 53K and 53X.

SOFT TRIM

Soft Trim parts are arranged in separate sections by car line catalog code within each model year i.e. 1973 Soft Trim Section A (Mercury), 1973 Soft Trim Section C (Comet), 1973 Soft Trim Section D (Lincoln-Continental), etc. To determine the complete part number of a trim part, it is necessary to know the "Trim Code" which is shown on the Certification Label of the vehicle (refer to pages 24 thru 34. Instructions for selecting soft trim parts are contained at the beginning of the Soft Trim area of this catalog.

ATTACHING PARTS (NUTS, BOLTS, ETC.) and LOCATOR CODES

Standard and utility hardware, such as bolts, screws, fittings, etc. are listed below the part with which they are used. To facilitate the stocking and handling of standard and utility parts by Ford Dealers, locator codes are preassigned by Ford Motor Company. The locator codes are shown in parentheses immediately following or below the standard and utility part numbers. For example, refer to Body Section 200 group 22800-1. The part number for a 5/16-18 x 1 1/2" screw-hex. head is 382623-S2 with the locator code (UU-52-AL) appearing at the beginning of the description column. In some charts, such as the Carburetor Parts List Charts in Section 95.1, 95.2, etc. the locator code will be shown next to or below the part number in the part number column.

LIQUID MEASURE

Most liquid measures listed in this catalog are in U.S. sizes and certain other liquid measures (unique to Canada) listed in this catalog are in Canadian sizes. The following chart provides an understanding and a translation of U.S. to Canadian and Canadian to U.S. sizes.

	1/2 Pint	Pint	Quart	Gallon
	(CAPACITY IN OUNCES)		(CAPACITY IN OUNCES)	
Canada	10	20	40	160
U. S.	8	16	32	128

Example - 5 U.S. quarts (160 ounces) equal 4 Canadian quarts (160 ounces) or 1 Canadian gallon.



BUY IT NOW!

Click Here To Order

COPYRIGHT © 1986 — FORD MOTOR — DEARBORN, MICHIGAN
COMPANY

New Issue



D.S.O., F.S.O. or L.P.O. (SPECIAL ORDERS)

The District Code Number will appear in the D.S.O. space on the Certification Label for all units including regular production. Always furnish appropriate Certification Label information and D.S.O. Number if applicable when ordering parts not listed in the catalog. If the unit is D.S.O. F.S.O. or L.P.O. (Special Order), the complete Order Number will appear in the D.S.O. space in addition to the District Code Number.

HOW TO IDENTIFY 351 C.I.D. ENGINES

The following methods will help to identify the subject engines that are in use:

- Decal on Air Cleaner Cover
- Emission Control Systems Decal on Valve Cover
- 351C was last produced in 1974
- 351M introduced in 1975
- 351W introduced in 1969 in use through 1980

<u>ITEM</u>	<u>351W</u>	<u>351C & M</u>
Number of bolts attaching valve cover on exhaust manifold side	3	4
Type of Front Cover	Bolted to Cylinder Block	Cast as part of Cylinder Block
Thermostat Housing	Bolts horizontal and mounts to intake manifold	Bolts vertical and mounts to front cover
Fuel Pump	Attaching Bolts side by side (horizontal plane)	Attaching Bolts one above the other (vertical plane)

HOW TO ORDER PARTS

When ordering parts, always give the complete part number.

In the event the part number is not known, the following information should be included.

- A. Complete description of part.
- B. Model, year and body type.
- C. Dimension, number of teeth, size, etc., if possible, rough sketch of part.
- D. If applicable to engine, transmission, axle, steering, etc., specify type, such as 400 C.I.D. Automatic Transmission, Power Steering, etc.
- E. Advise how shipment is to be made - Freight, Express, Air, Parcel Post.


BUY IT NOW!
Click Here To Order



ACCESSORY WEIGHT CHART for 1975 VEHICLES

When adding accessories, equipment, passengers and luggage to your vehicle, the total weight capacity of the vehicle or of the front or rear axle (GVWR, GAWR as shown on the vehicle Certification Label) must not be exceeded. See the listing below for the weight effect of the various accessories shown.

ACCESSORY	WEIGHT EFFECT (lbs.)		
	TOTAL	FRONT AXLE	REAR AXLE
Air Conditioning			
2.0 L Engine	66	69	-3
2.3 L Engine	70	75	-5
2.8 L Engine	68	72	-4
200/250 Engine	61	64	-3
302/351W Engine	67	73	-6
400/351M Engine	66	70	-4
460 Engine	78	83	-5
Air Deflector	5	0	5
Air Horn	10	9	1 (3)
Air Springs	6	0	6
AM Radio & AM & AM/FM - Mono	7	5	2 (6)
AM/FM Radio - Stereo	8	6	2 (6)
Body Side Moulding - Vinyl	3	1 1/2	1 1/2
Coolant Recovery	5	5	0
Control - Air Spring	5	2 1/2	2 1/2
Deck Lid Lock	2	0	2
Electric Clock	1	1	0
Fire Extinguisher - 10BC	10	7 1/2	2 1/2 (4)
Fire Extinguisher - 5BC	4	3	1 (4)
Floor Mat - Full Front	9	6	3
Floor Mat - Full Rear	6	2	4
Floor Mat - Twin Front	8	5	3
Floor Mat - Twin Rear	5	2	3
Highway Kit	11	1	10 (5)
Hood Ornament	1	1	0
License Plate Frame	1	1/2	1/2
Luggage Rack - Deck	8	-1	9
Luggage Rack - Roof	24	-2	26
Outside Mirror - L.H.	2	2	0
Outside Mirror - R.H.	1	1	0
Outside Mirror - Racing	1	1	0
Rear Window Defogger	3	0	3
Shock Absorbers (Super Flex)	2	0	2
Speed Control	8	8	0
Splash Guard	4	2	2
Tonneau Cover	11	1	10 (7)
Trailer Hitch - III - Platform	50	-18	68 (1)
Trailer Hitch - III - Platform	65	-24	89 (2)
Trailer Hitch - I	20	-10	30
Transmission Oil Cooler	7	8	-1
Undercoating	10	5	5
Utility Table	12	-3	15
Wheel Covers	20	10	10
Vacuum Gage	1	1	0
Anti-Theft Alarm System	1	1	0

- (1) All Except Ford/Mercury Wagons
- (2) Ford and Mercury Wagon
- (3) Underhood Location
- (4) Located in Passenger Compartment - Front

- (5) Located in Luggage Storage Area
- (6) Capri Only
- (7) Ranchero Only



BUY IT NOW!

Click Here To Order



1973/79
LINCOLN-MERCURY CARS

ACCESSORY WEIGHT CHART for 1976 VEHICLES

When adding accessories to your vehicle, the total weight capacity of the vehicle or of the front or rear axle (GVWR, GAWR as shown on the vehicle Certification Label) must not be exceeded. See the listing below for the weight effect of the various accessories shown.

ACCESSORY	WEIGHT EFFECT (lbs.)		
	TOTAL	FRONT AXLE	REAR AXLE
Air Conditioning			
2.3 L Engine	70	76	-6
2.8 L Engine	66	72	-6
200/250 Engine	66	68	-2
302/351W Engine	67	70	-3
400/351M Engine	66	70	-4
460 Engine	75	81	-6
Antenna - Rear Electric	5	0	5
Air Deflector	5	0	5
Air Horn (3)	10	9	1
Air Springs #	6	0	6
Anti-Theft Alarm	1	1	0
Body Side Moulding - Vinyl	3	1 1/2	1 1/2
Coolant Recovery	5	5	0
Control - Air Spring	5	2 1/2	2 1/2
Defogger - Rear Window	3	0	3
Deck Lid Lock	2	0	2
Electric Clock	1	1	0
Fire Extinguisher - 10BC (4)	10	7	3
Fire Extinguisher - 10BC Purple "K" (4)	4	3	1
Fire Extinguisher - 5BC (4)	4	3	1
Floor Mat - Full Front	9	6	3
Floor Mat - Full Rear	6	2	4
Floor Mat - Twin Front	8	5	3
Floor Mat - Twin Rear	5	2	3
Highway Kit (5)	10	0	10
Hood Ornament	1	1	0
License Plate Frame	1	1/2	1/2
Luggage Rack - Deck	8	-1	9
Luggage Rack - Roof Sedan and Station Wagon	24	-2	26
Luggage Rack - Cover (5)	25	-2	27
Outside Mirror - L.H. (7)	1	1	0
Outside Mirror - R.H. (7)	1	1	0
Outside Mirror - Racing (7)	3	3	0
Rear Window Defogger	3	0	3
Shock Absorbers (Super Flex)	2	0	2
Speed Control	8	8	0
Splash Guard	4	2	2
Tonneau Cover (6)	11	1	10
Trailer Hitch - III - Platform (1)	50	-18	68
Trailer Hitch - III - Platform (2)	65	-24	89
Trailer Hitch - I	20	-10	30
Transmission Oil Cooler	7	8	-1
Undercoating	10	5	5
Utility Table	12	-3	15
Wheel Covers #	20	10	10
Vacuum Gage	1	1	0
Wheel Trim Rings #	4	2	2

(1) All Except Ford/Mercury Wagons

(2) Ford and Mercury Wagon

(3) Underhood Location

partment - Front

(5) Located in Luggage Storage Area

(6) Ranchero only

(7) Weight per Mirror

Bumper Height Not Affected

**BUY IT NOW!****Click Here To Order**

1973/79 LINCOLN-MERCURY CARS

GENERAL INFORMATION

ACCESSORY WEIGHT CHART for 1977 VEHICLES

When adding accessories to your vehicle, the total weight capacity of the vehicle or of the front or rear axle (GVWR, GAWR as shown on the vehicle Certification Label) must not be exceeded. See the listing below for the weight effect of the various accessories shown.

<u>ACCESSORY</u>	<u>WEIGHT EFFECT (lbs.)</u>		
<u>ACCESSORY</u>	<u>TOTAL</u>	<u>FRONT AXLE</u>	<u>REAR AXLE</u>
Air Conditioning			
2.3 L Engine	70	77	-7
2.8 L Engine	66	72	-6
200/250 Engine	66	68	-2
302/351W Engine	67	70	-3
400/351M Engine	66	69	-3
460 Engine	75	81	-6
Antenna - Rear Electric	4	0	4
Air Deflector	5	0	5
Air Horn (1)	10	9	1
Air Springs #	6	0	6
Body Side Moulding - Vinyl	3	1 1/2	1 1/2
Coolant Recovery	5	5	0
Control - Air Spring	5	2 1/2	2 1/2
Defogger - Rear Window	3	0	3
Deck Lid Lock	2	0	2
Electric Clock	1	1	0
Fire Extinguisher - 10BC (2)	4	3	1
Floor Mat - Universal -- (Twin Vinyl)	10	6	4
-- (Rubber Economy)			
Floor Mat - Full - Rubber	14 1/2	9	5 1/2
Floor Mat - Full - Vinyl - Universal	11 1/2	6 1/2	5
Floor Mat - Twin - Corporate	8	4 1/2	3 1/2
Floor Mat - Twin - Rubber	13	8	5
Heater - Engine Block	1/2	1/2	0
Highway Kit (3)	10	0	10
Hood Ornament	1	1	0
License Plate Frame	1	1/2	1/2
Luggage Rack - Deck	8	-1	9
Luggage Rack - Roof Sedan and Station Wagon	24	-2	26
Luggage Rack - Cover (3)	25	-2	27
Outside Mirror - R.H. Convex (5)	1	1	0
Outside Mirror - L.H. (5)	1	1	0
Outside Mirror - R.H. (5)	1	1	0
Outside Mirror - Racing (5)	3	3	0
Radio - CB	8	4	4
Rear Window Defogger	3	0	3
Rear Speaker	3	0	3
Reflector Flare	14	0	14
Shock Absorbers (Super Flex)	2	0	2
Speed Control	8	8	0
Splash Guard	4	2	2
Tonneau Cover (4)	11	1	10
Transmission Oil Cooler - Economy	4	5	-1
Transmission Oil Cooler - High Capacity	7	8	-1
Transmission Oil Cooler - Extra High Capacity	5	6	-1
Rustproofing	12	6	6
Undercoating	10	5	5
Undercoating and Rustproofing	19	9 1/2	9 1/2
Utility Table	12	-3	15
Wheel Covers #	20	10	10
Vacuum Gage	1 1/2	1 1/2	0
Wheel Trim Rings #	4	2	2

(1) Underhood Location

(2) Located in Passenger Compartment - Front

(3) Located in Luggage Storage Area

(4) Ranchero Only

(5) Weight Per Mirror

Bumper Height Not Affected

COPYRIGHT © 1986 — FORD MOTOR — DEARBORN, MICHIGAN
COMPANY

New Issue



BUY IT NOW!

Click Here To Order



1973/79 LINCOLN-MERCURY CARS

ACCESSORY WEIGHT CHART for 1978 VEHICLES

When adding accessories to your vehicle, the total weight capacity of the vehicle or of the front or rear axle (GVWR, GAWR as shown on the vehicle Certification Label) must not be exceeded. See the listing below for the weight effect of the various accessories shown.

ACCESSORY	WEIGHT EFFECT (lbs.)		
	TOTAL	FRONT AXLE	REAR AXLE
Air Conditioning			
1.6 L Engine - (Fiesta)	65	69	-4
2.3 L Engine	70	77	-7
2.8 L Engine	66	72	-6
200/250 Engine	66	68	-2
302/351W Engine	67	70	-3
400/351M Engine	66	70	-3
460 Engine	75	81	-6
Antenna - Rear Electric	4	0	4
Air Deflector	5	0	5
Air Horn (1)	10	9	1
Air Springs *	6	0	6
Body Side Moulding - Vinyl (exc. Fiesta)	3	1 1/2	1 1/2
Body Side Moulding - Vinyl (Fiesta)	2	1	1
Coolant Recovery	5	5	0
Control - Air Spring	5	2 1/2	2 1/2
Defogger - Rear Window	3	0	3
Deck Lid Lock	2	0	2
Door Storage Bins - (Fiesta)	2	1 1/2	1/2
Electric Clock	1	1	0
Fire Extinguisher - 10BC (2)	4	3	1
Floor Mat - Universal (Twin Vinyl or Rubber Economy)	10	6	4
Floor Mat - Full - Rubber	14 1/2	9	5 1/2
Floor Mat - Full - Vinyl - Universal	11 1/2	6 1/2	5
Floor Mat - Twin - Corporate	8	4 1/2	3 1/2
Floor Mat - Twin - Rubber	13	8	5
Floor Mat - Front Twin - Rubber - (Fiesta)	16	12	4
Floor Mat - Front Vinyl Insert - (Fiesta)	9	7	2
Glove Box - (Fiesta)	2 1/2	2	1/2
Heater - Engine Block	1/2	1/2	0
Hood Ornament	1	1	0
License Plate Frame	1	1/2	1/2
Lockable Storage Compartment - (Fiesta)	7	0	7
Luggage Rack - Deck	8	-1	9
Luggage Rack - Roof Sedan and Station Wagon	24	-2	26
Luggage Rack - Cover	20	0	20
Luggage Rack - (Fiesta)	15	3	12
Outside Mirror - R.H. Convex (3)	1	1	0
Outside Mirror - L.H. (3)	1	1	0
Outside Mirror - R.H. (3)	1	1	0
Outside Mirror - Racing (3)	3	3	0

(1) Underhood Location

(2) Located in Passenger Compartment - Front

(3) Weight Per Mirror

* Bumper Height Not Affected



BUY IT NOW!

Click Here To Order



**1973/79
LINCOLN-MERCURY CARS**

**GENERAL
INFORMATION**

ACCESSORY WEIGHT CHART for 1978 VEHICLES-cont'd.

<u>ACCESSORY</u>	<u>WEIGHT EFFECT (lbs.)</u>		
	<u>TOTAL</u>	<u>FRONT AXLE</u>	<u>REAR AXLE</u>
Radio - AM (Fiesta)	5	4	1
Radio - CB	9	5	4
Rear Package Tray (Fiesta)	10	0	10
Rear Speaker	3	0	3
Reflector Flare	14	0	14
Rustproofing (Super Seal)	12	6	6
Shock Absorbers (Super Flex)	2	0	2
Speed Control	8	8	0
Splash Guard	4	2	2
Tonneau Cover - Ranchero	11	1	10
Tool Kits - Large - (Fiesta)	5	0	5
Tool Kits - Small - (Fiesta)	1 1/2	0	1 1/2
Transmission Oil Cooler - Economy	4	5	-1
Transmission Oil Cooler - High Capacity	7	8	-1
Transmission Oil Cooler - Extra High Capacity	5	6	-1
Undercoating	10	5	5
Undercoating and Rustproofing (Super Seal)	19	9 1/2	9 1/2
Utility Table	12	-3	15
Vacuum Gage	1 1/2	1 1/2	0
Wheel Covers *	20	10	10
Wheel Trim Rings * (exc. Fiesta)	4	2	2
Wheel Trim Rings * (Fiesta)	3	1 1/2	1 1/2

* Bumper Height Not Affected

COPYRIGHT © 1986 -- FORD MOTOR -- DEARBORN, MICHIGAN
COMPANY

New Issue



BUY IT NOW!

Click Here To Order



1973/79
LINCOLN-MERCURY CARS

ACCESSORY WEIGHT CHART for 1979 VEHICLES

When adding accessories to your vehicle, the total weight capacity of the vehicle or of the front or rear axle (GVWR, GAWR as shown on the vehicle Certification Label) must not be exceeded. See the listing below for the weight effect of the various accessories shown.

ACCESSORY	WEIGHT EFFECT (lbs.)		
	TOTAL	FRONT AXLE	REAR AXLE
Air Conditioning			
1.6 L Engine (Fiesta)	65	69	-4
2.3 L Engine	73	79	-6
2.8 L Engine	67	72	-5
3.3 L (200 C.I.D.) Engine	64	67	-3
4.1 L (250 C.I.D.) Engine	68	70	-2
5.0/5.8 L (302/351 C.I.D.) Engine (Ford/Mercury)	66	71	-5
5.0/5.8 L (302/351 C.I.D.) Engine (All exc. Ford/Mercury)	74	77	-3
Air Deflector	5	0	5
Air Springs #	6	0	6
Antenna - Rear Electric	4	0	4
Body Side Moulding - Vinyl (exc. Fiesta)	3	1 1/2	1 1/2
Body Side Moulding - Vinyl (Fiesta)	2	1	1
Control - Air Spring	5	2 1/2	2 1/2
Deck Lid Release Control	2	0	2
Defogger - Rear Window	3	0	3
Door Storage Bins (Fiesta)	2	1 1/2	1/2
Electric Clock	1	1	0
Fire Extinguisher - 10BC (1)	4	3	1
Floor Mat - Universal (Twin Vinyl or Rubber Economy)	10	6	4
Floor Mat - Full - Vinyl - Universal	11 1/2	6 1/2	5
Floor Mat - Twin - Corporate	8	4 1/2	3 1/2
Floor Mat - Twin - Rubber	13	8	5
Floor Mat - FrontTwin - Rubber (Fiesta)	16	12	4
Floor Mat - Front Vinyl Insert (Fiesta)	9	7	2
Glove Box (Fiesta)	2 1/2	2	1/2
Heater - Engine Block	1/2	1/2	0
Hood Ornament	1	1	0
License Plate Frames	1	1/2	1/2
Lockable Storage Compartment (Fiesta)	7	0	7
Luggage Rack (Fiesta)	15	3	12
Luggage Rack with Cover (Fiesta)	25	10	15
Luggage Rack - Cover	20	0	20
Luggage Rack - Deck	8	-1	9
Luggage Rack - Roof (Sedan & Station Wagon)	24	-2	26
Outside Mirror - R.H. Convex (2)	1	1	0
Outside Mirror - L.H. (2)	1	1	0
Outside Mirror - R.H. (2)	1	1	0
Outside Mirror - Racing	3	3	0

(1) Located in Passenger Compartment - Front
(2) Weight Per Mirror

Bumper Height Not Affected

BUY IT NOW!

Click Here To Order



**1973/79
LINCOLN-MERCURY CARS**

**GENERAL
INFORMATION**

ACCESSORY WEIGHT CHART for 1979 VEHICLES - cont'd.

WEIGHT EFFECT (lbs.)			
<u>ACCESSORY</u>	<u>TOTAL</u>	<u>FRONT AXLE</u>	<u>REAR AXLE</u>
Radio - AM (Fiesta)	7	6	1
Radio - AM and AM/FM Monaural (Fiesta)	5	4	1
Radio - AM/FM Stereo (Fiesta)	8	6	2
Radio - CB	9	5	4
Rear Package Tray (Fiesta)	10	0	10
Rear Speaker	3	0	3
Reflector Flare	14	0	14
Rustproofing (Super Seal)	12	6	6
Shock Absorbers (Super Flex)	2	0	2
Speed Control	8	8	0
Splash Guard - Wheel	3	1 1/2	1 1/2
Tonneau Cover (Ranchero)	11	1	10
Tool Kit - Large (Fiesta)	5	0	5
Tool Kit - Small (Fiesta)	1 1/2	0	1 1/2
Transmission Oil Cooler (Economy)	4	5	-1
Transmission Oil Cooler (High Capacity)	7	8	-1
Transmission Oil Cooler (Extra High Capacity)	5	6	-1
Undercoating	10	5	5
Undercoating and Rustproofing (Super Seal)	19	9 1/2	9 1/2
Wheel Covers #	20	10	10
Wheel Splash Guards (Fiesta)	1	1/2	1/2
Wheel Trim Rings # (exc. Fiesta)	4	2	2
Wheel Trim Rings # (Fiesta)	3	1 1/2	1 1/2

Bumper Height Not Affected

COPYRIGHT © 1986 — FORD MOTOR — DEARBORN, MICHIGAN
COMPANY

New Issue

100% SATISFACTION GUARANTEED

BUY IT NOW!

Click Here To Order

PayPal American Express Discover MasterCard VISA

**1973/79
LINCOLN-MERCURY CARS**

INCHES and MILLIMETERS CONVERSION CHART

MILLIMETERS TO DECIMAL (inches) EQUIVALENT

MM = DECIMAL (Inches)	MM = DECIMAL (Inches)	MM = DECIMAL (Inches)	MM = DECIMAL (Inches)	MM = DECIMAL (Inches)	MM = DECIMAL (Inches)	MM = DECIMAL (Inches)	MM = DECIMAL (Inches)
1 .039	21 .827	41 1.614	61 2.402	81 3.189	125 4.921		
2 .079	22 .866	42 1.654	62 2.441	82 3.228	150 5.906		
3 .118	23 .906	43 1.693	63 2.480	83 3.268	175 6.890		
4 .157	24 .945	44 1.732	64 2.520	84 3.307			
5 .197	25 .984	45 1.772	65 2.559	85 3.346			
6 .236	26 1.024	46 1.811	66 2.598	86 3.386	200 7.874		
7 .276	27 1.063	47 1.850	67 2.638	87 3.425	225 8.858		
8 .315	28 1.102	48 1.890	68 2.677	88 3.465	250 9.843		
9 .354	29 1.142	49 1.929	69 2.717	89 3.504	275 10.827		
10 .394	30 1.181	50 1.969	70 2.756	90 3.543			
11 .433	31 1.220	51 2.008	71 2.795	91 3.583	300 11.811		
12 .472	32 1.260	52 2.047	72 2.835	92 3.622	325 12.795		
13 .512	33 1.299	53 2.087	73 2.874	93 3.661	350 13.780		
14 .551	34 1.339	54 2.126	74 2.913	94 3.701	375 14.764		
15 .591	35 1.378	55 2.165	75 2.953	95 3.740			
16 .630	36 1.417	56 2.205	76 2.992	96 3.780	400 15.748		
17 .669	37 1.457	57 2.244	77 3.031	97 3.819			
18 .709	38 1.496	58 2.283	78 3.071	98 3.858			
19 .748	39 1.535	59 2.323	79 3.110	99 3.898			
20 .787	40 1.575	60 2.362	80 3.150	100 3.937			

DECIMAL (inches) TO METRIC EQUIVALENT

DECIMAL (Inches) = MM	DECIMAL (Inches) = MM	DECIMAL (Inches) = MM	DECIMAL (Inches) = MM	DECIMAL (Inches) = MM	DECIMAL (Inches) = MM
.001 .025	.120 3.048	.320 8.128	.520 13.208	.720 18.288	.920 23.368
.002 .051	.130 3.302	.330 8.382	.530 13.462	.730 18.542	.930 23.622
.003 .076	.140 3.556	.340 8.636	.540 13.716	.740 18.796	.940 23.876
.004 .102	.150 3.810	.350 8.890	.550 13.970	.750 19.050	.950 24.130
.005 .127	.160 4.064	.360 9.144	.560 14.224	.760 19.304	.960 24.384
.006 .152	.170 4.318	.370 9.398	.570 14.478	.770 19.558	.970 24.638
.007 .178	.180 4.572	.380 9.652	.580 14.732	.780 19.812	.980 24.892
.008 .203	.190 4.826	.390 9.906	.590 14.986	.790 20.066	.990 25.146
.009 .229	.200 5.080	.400 10.160	.600 15.240	.800 20.320	
.010 .254	.210 5.334	.410 10.414	.610 15.494	.810 20.574	1.000 25.400
.020 .508	.220 5.588	.420 10.668	.620 15.748	.820 20.828	2.000 50.800
.030 .762	.230 5.842	.430 10.922	.630 16.002	.830 21.082	3.000 76.200
.040 1.016	.240 6.096	.440 11.176	.640 16.256	.840 21.336	4.000 101.600
.050 1.270	.250 6.350	.450 11.430	.650 16.510	.850 21.590	5.000 127.000
.060 1.524	.260 6.604	.460 11.684	.660 16.764	.860 21.844	10.000 254.000
.070 1.778	.270 6.858	.470 11.938	.670 17.018	.870 22.098	15.000 381.000
.080 2.032	.280 7.112	.480 12.192	.680 17.272	.880 22.352	20.000 508.000
.090 2.286	.290 7.366	.490 12.446	.690 17.526	.890 22.606	25.000 635.000
.100 2.540	.300 7.620	.500 12.700	.700 17.780	.900 22.860	50.000 1270.000
.110 2.794	.310 7.874	.510 12.954	.710 18.034	.910 23.114	100.000 2540.000



BUY IT NOW!

Click Here To Order



INCHES and MILLIMETERS CONVERSION CHART · continued

FRACTIONS (inches) TO DECIMALS (inches) and METRIC EQUIVALENTS

FRACTION (Inches)	=	DECIMAL (Inches)	=	MM	FRACTION (Inches)	=	DECIMAL (Inches)	=	MM
1/32		1/64	.016	.397	5/8				
			.031	.794			41/64	.625	15.875
		3/64	.047	1.191			21/32	.641	16.272
			.063	1.588			43/64	.656	16.669
		5/64	.078	1.984			11/16	.672	17.066
1/16			.094	2.381		23/32	.687	17.463	
		7/64	.109	2.778		45/64	.703	17.859	
						47/64	.719	18.256	
1/8			.125	3.175			.734	18.653	
		9/64	.141	3.572	3/4				
			.156	3.969			49/64	.750	19.050
		5/32	.172	4.366			25/32	.766	19.447
		11/64	.188	4.763			51/64	.781	19.844
	13/64	.203	5.159			13/16	.797	20.241	
3/16			.219	5.556		53/64	.813	20.638	
		7/32	.234	5.953		27/32	.828	21.034	
						55/64	.844	21.431	
1/4			.250	6.350			.859	21.828	
		17/64	.266	6.747	7/8				
			.281	7.144			57/64	.875	22.225
		9/32	.297	7.541			29/32	.891	22.622
		19/64	.313	7.938			59/64	.906	23.019
	21/64	.328	8.334			15/16	.922	23.416	
5/16			.344	8.731		61/64	.938	23.813	
		11/32	.359	9.128		31/32	.953	24.209	
		23/64				63/64	.969	24.606	
3/8			.375	9.525			.984	25.003	
		25/64	.391	9.922	1		1.000	25.400	
		13/32	.406	10.319	2		2.000	50.800	
		27/64	.422	10.716	3		3.000	76.200	
		7/16	.438	11.113	4		4.000	101.600	
7/16			.453	11.509	5		5.000	127.000	
		15/32	.469	11.906	10		10.000	254.000	
		31/64	.484	12.303	15		15.000	381.000	
1/2			.500	12.700	20		20.000	508.000	
		33/64	.516	13.097	25		25.000	635.000	
		17/32	.531	13.494	50		50.000	1270.000	
		35/64	.547	13.891	100		100.000	2540.000	
		9/16	.563	14.288					
		.578	14.684						
	19/32	.594	15.081						
	39/64	.609	15.478						



BUY IT NOW!

Click Here To Order



ABBREVIATIONS

A/C	air conditioner (ing)	E.E.C.	engine electronic computer
accel.	accelerator	ea.	each
adj.	adjuster (ing)	E/H/D	extra heavy duty
alum.	aluminum	emer.	emergency
amp.	ampere	em/re	emission reduction
approx.	approximate (ly)	eng.	engine
AR	as required	equip.	equipment
assy.	assembly	ev/em	evaporative emission
A/T	automatic transmission	exc.	except
A.T.C.	automatic temperature control	exh.	exhaust
attach.	attaches (ing) (ed)	E.G.R.	exhaust gas recirculation
auto.	automatic	F2	Ford 2 barrel
aux.	auxiliary	F4	Ford 4 barrel
BBC	bumper to back of cab	F/4/S	Ford 4 speed transmission
B/W	Borg-Warner	fill.	fillister
C1	Carter 1 barrel	flex.	flexible
C4	automatic transmission - (XP type)	F.S.O.	foreign special order
C6	automatic transmission - (XPL type)	gal.	gallon
Calif.	California	g/compt.	glove compartment
cap.	capacity	gen.	generator
carb.	carburetor	G.V.W.	gross vehicle weight
Cat.	Caterpillar	hd.	head
cc	cubic centimeter	H/D	heavy duty
c/cw	counter clockwise	hel.	helical
Chg./L	change level	hex.	hexagon (al)
C.I.D.	cubic inch displacement	Hi-Perf.	High Performance
CJ	Cobra Jet	H/O	High Output
cm	centimeter	HP	horse power
C/M	automatic transmission - (MX type)	hsg.	housing
c/member	cross member	htr.	heater
col.	column	H/V	hydraulic vacuum
compt.	compartment	hyd.	hydraulic
conn.	connection or connector	I.D.	inside diameter
cont'd.	continued	ident.	identification
C.P.	candle power	ign.	ignition
C/P/S	center point steering	IMCO	improved combustion emission control system
Cum.	Cummins	incl.	includes
cw	clockwise	I.S.	Instruction Sheet
cyl.	cylinder	I.W.	inertia weight
D/4/S	Dagenham 4 speed transmission	K.D.	shipped in disassembled form
D.C.	double contact	KM.P.H.	kilometers per hour
D/D	direct drive	lb.	pound
D/E	dual exhaust	l/compt.	luggage compartment
defl.	deflector	L	litre
dia.	diameter	L/D	light duty
diff.	differential	L.H.	left hand
disp.	displacement	lic.	license
distrib.	distributor	L/N	Leece Neville
	transmission	L.P.O.	Limited Production Option
	special order		



BUY IT NOW!

Click Here To Order



ABBREVIATIONS - cont'd.

M	1000 (pounds)	S/E	single exhaust or special economy
max.	maximum	sec.	secondary
M/D	medium duty	Ser.	serial
med.	medium	s/member	side member
mldg.	moulding	spec.	special
mm	millimeter	speedo.	speedometer
m.p.h.	miles per hour	spg.	spring
M/S	manual steering	sq.	square
M/T	manual transmission	sq. hd.	square head
mtd.	mounted	S/R	side rail
mtg.	mounting	std.	standard
mtr.	motor	strg.	steering
Nags. No.	National Automotive Glass Society number	suppt.	support
No.	number	susp.	suspension
N.P.G.	New Process Gear	S/X/C	super extra cooling
N.P.T.F.	national pipe thread fine	tach.	tachometer
N.R.	not replaced	T/C	Turbo Charger
N.S.	not serviced	T/E	thermactor emission control system
O.D.	outside diameter	temp.	temperature
O/D	overdrive	t/gate	tailgate
O/S	oversize	thd.	thread
oz.	ounce	T/M	transmatic
pass.	passenger	trans.	transmission
P/B	power brake	Trans/ign.	transistorized ignition
P/C	Police Car	Trans/reg.	transistorized regulator
pcs.	pieces	T.S.L.	Truck Specification List
P.F.	premium fuel	T/T	tractor-trailer
P & P/susp.	Page & Page suspension	UBS	uniform bearing stress
pri.	primary	u/joint	universal joint
P/S	power steering	univ.	universal
P.T.O.	power-take-off	U/S	undersize
qt.	quart	vac.	vacuum
qty.	quantity	V V	variable venturi
rad.	radiator	w/	with
r/b	replaced by	W/4/S	Warner 4 speed transmission
R/D	regular duty	W/B	wheelbase
rd.	round	w/o	without
recirc.	recirculating	W/S	windshield
reinf.	reinforcement	w/strip	weatherstrip
Repl.	replaced	X/C	extra cooling
req'd.	required	2/B	2 barrel
resvr.	reservoir	2/W/D	2 wheel drive
R.F.	regular fuel	3/M/T	3 speed manual transmission
R/G	ring gear	4/B	4 barrel
R.H.	right hand	4/M/T	4 speed manual transmission
R.P.M.	revolutions per minute	4/W/D	4 wheel drive
rr.	rear	351C	351 cubic inch engine built at Cleveland engine plant
R/R	Road Ranger	351CJ	351 cubic inch Cobra Jet engine
wheels	rear wheels	351H0	351 cubic inch high output engine
ooling		351M	351 cubic inch engine built at Cleveland engine plant
ct		351W	351 cubic inch engine built at Windsor engine plant
Jet			
partment			



BUY IT NOW!

Click Here To Order



SAFETY STANDARDS CERTIFICATION LABEL - 1973/77

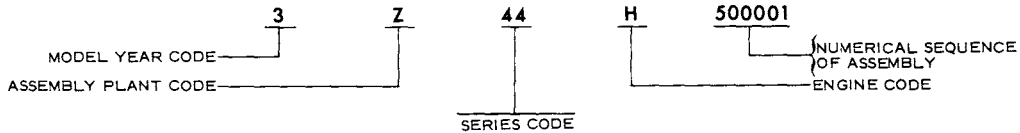
Located on the latch face of the left Front Door

The Certification Label includes -

1. Built date (e.g. 9/72) in upper left hand corner which indicates the month and year in which the unit was built.
2. Vehicle Identification Number (left half of first line) consisting of Codes which identify Model Year, Assembly Plant, Series, Engine and Numerical Sequence of Assembly (also shown in upper right hand corner).
3. Miscellaneous Vehicle Data (right half of first line plus second line) consisting of Codes which identify Body Type, Color of Exterior Paint, Trim, Transmission, Rear Axle Ratio and District (and D.S.O. number where applicable).

The codes shown below are listed on pages 28 thru 37

FIRST LINE (3Z44H500001) VEHICLE IDENTIFICATION NUMBER



- "3" --- 1973 Model Year
- "Z" --- Built at St. Louis Assembly Plant
- "44" --- 4 Door Pillared Hardtop
- "H" --- 8 cyl. 351-2/B engine
- "500001" --- First Mercury Series Vehicle built at St. Louis Assembly Plant during Model Year.

MFD. BY FORD MOTOR CO. IN U.S.A.

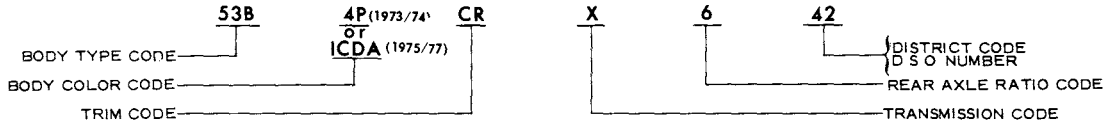
DATE: 09/72 GVWR 5892
 GAWR: FRONT 2964 REAR 2928
 THIS VEHICLE CONFORMS TO
 ALL APPLICABLE FEDERAL MOTOR
 VEHICLE SAFETY STANDARDS IN
 EFFECT ON THE DATE OF
 MANUFACTURE SHOWN ABOVE

3Z44H500001 PASSENGER

VEH. IDENT. NO.		TYPE			
BODY	COLOR	TRIM	TRANS.	AXLE	DSO
53B	4P	CR	X	6	42

P-10236

SECOND LINE (53B 4P CR X 6 42) MISCELLANEOUS VEHICLE DATA



- "53B" --- Monterey 4 Door Pillared Hardtop
- "4P" --- Medium Green Metallic
- "CR" --- Medium Green Vinyl and Medium Green Cloth
Refer to appropriate Soft Trim Section
- "X" --- Cruise-o-matic (FMX type) Automatic Transmission
- "6" --- Rear Axle Ratio of 3.00 to 1 (non-locking)
- "42" --- St. Louis District (and D.S.O. number when applicable)

Refer to Page 12 for complete D.S.O. explanation

100% SATISFACTION GUARANTEED

BUY IT NOW!

Click Here To Order

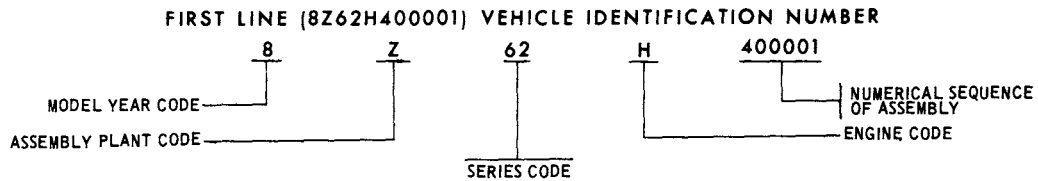
SAFETY STANDARDS CERTIFICATION LABEL - 1978

Located on the latch face of the left Front Door

The Certification Label includes -

1. Built date (e.g. 10/77) in upper left hand corner which indicates the month and year in which the unit was built.
2. Vehicle Identification Number (left half of first line) consisting of Codes which identify Model Year, Assembly Plant, Series, Engine and Numerical Sequence of Assembly (also shown in upper right hand corner).
3. Miscellaneous Vehicle Data (right half of first line plus second line) consisting of Codes which identify Color of Exterior Paint, D.S.O. Number where applicable, Body Type, Trim, Schedule Date, Rear Axle Ratio, Transmission and Air Conditioning Code.

The codes shown below are listed on pages 28 thru 37.



- | | | |
|----------|-----|---|
| "8" | --- | 1978 Model Year |
| "Z" | --- | Built at St. Louis Assembly Plant |
| "62" | --- | 4 Door Pillared Hardtop |
| "H" | --- | 8 cyl. 351-2/B engine |
| "400001" | --- | First Mercury Series Vehicle built at St. Louis Assembly Plant during Model Year. |

MFD. BY FORD MOTOR CO. IN U.S.A.

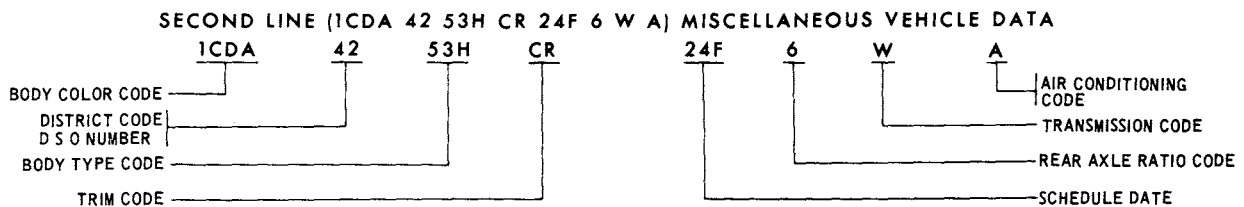
DATE: 06/77 GVWR 4132
 GAWR: FRONT 2177 REAR 1971

THIS VEHICLE CONFORMS TO
 ALL APPLICABLE FEDERAL MOTOR
 VEHICLE SAFETY STANDARDS IN
 EFFECT ON THE DATE OF
 MANUFACTURE SHOWN ABOVE
 F0135/R0060

8S03F400001 PASS 1978 MODEL

VEH. IDENT. NO.		TYPE					
COLOR	DSO	BODY	TRIM	SCH. DATE	AXLE	TRANS.	A/C
1CDA	42	53H	CR	24F	6	W	A

P-14505



- | | | |
|--------|-----|--|
| "1CDA" | --- | Medium Green Metallic |
| "42" | --- | St. Louis District (and D.S.O. number when applicable) |
| "53H" | --- | Marquis 4 Door Pillared Hardtop |
| "CR" | --- | Medium Green Vinyl/and Medium Green Cloth
<small>(Refer to appropriate Soft Trim Section)</small> |
| "24F" | --- | Schedule Date |
| "6" | --- | Rear Axle Ratio of 3.00 to 1 (non-locking) |
| "W" | --- | Transmission Code |
| "A" | --- | Air Conditioning - Ford factory installed |

Refer to Page 12 for complete D.S.O. explanation

BUY IT NOW!

Click Here To Order

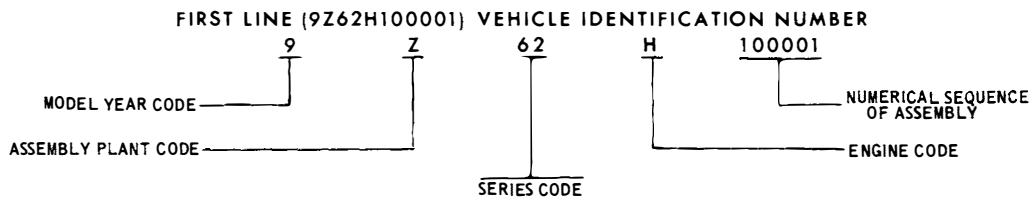
SAFETY STANDARDS CERTIFICATION LABEL - 1979

Located on the latch face of the left Front Door

The Certification Label includes -

1. Built date (e.g. 10/78) in upper left hand corner which indicates the month and year in which the unit was built.
2. Vehicle Identification Number (left half of first line) consisting of Codes which identify Model Year, Assembly Plant, Series, Engine and Numerical Sequence of Assembly (also shown in upper right hand corner).
3. Miscellaneous Vehicle Data (right half of first line plus second line) consisting of Codes which identify Color of Exterior Paint, D.S.O. Number where applicable, Body Type, Trim, Schedule Date, Rear Axle Ratio, Transmission and Air Conditioning Code.

The codes shown below are listed on pages 28 thru 37

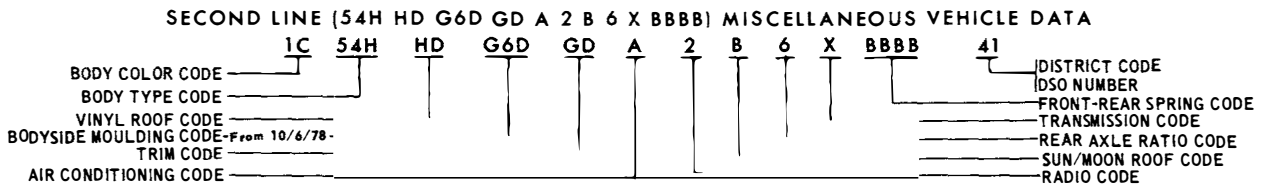


- "9" --- 1979 Model Year
- "Z" --- Built at St. Louis Assembly Plant
- "62" --- Marquis 4 Door Sedan
- "H" --- 8 cyl. 351-2/B engine
- "100001" --- First Mercury Series Vehicle Assembled During Model Year

MFD. BY FORD MOTOR CO. IN U.S.A.
 DATE: 10-78 GVWR: 5347 LB-2425KG
 FRONT GAWR: 2714 LB REAR GAWR: 2683 LB
 1231-KG 1216-KG

THIS VEHICLE CONFORMS TO ALL APPLICABLE FEDERAL MOTOR VEHICLE SAFETY AND BUMPER STANDARDS IN EFFECT ON THE DATE OF MANUFACTURE SHOWN ABOVE.

VEH. IDENT NO. 9Z62H100001
 TYPE PASSENGER
 1C
EXTERIOR PAINT COLORS
 54H HD G6D GD A 2 B 6 X BBBB PRO 41






- "1C" --- Black
- "54H" --- Marquis 4 Door Sedan
- "HD" --- Grande Full - Red
- "G6D" --- Medium Red Metallic
- "GD" --- Mercury - B/cloth and Vinyl - L/B Flight Bench - Dark Red
- "A" --- A/C Installed
- "2" --- AM Radio
- "B" --- Sun Roof Glass
- "6" --- Rear Axle Ratio of 3,00 To 1 (Non-Locking)
- "X" --- Cruise-O-Matic (FMX)
- "BBBB" --- Springs - left front, right front, left rear, right rear
- Chicago District



BUY IT NOW!
 Click Here To Order



OWNER CARD - TYPICAL

	OWNERCARD ... WARRANTY IDENTIFICATION CARD ... THIS OWNERCARD SHOULD BE PRESENTED TO THE DEALER WHEN YOU REQUIRE WARRANTY SERVICE BECAUSE IT CONTAINS INFORMATION THAT PROPERLY IDENTIFIES YOUR VEHICLE AND HELPS THE DEALER PROVIDE PROMPT SERVICE.
OWNER'S SIGNATURE	<input type="text"/>
A FORD BUYER 1973 EVERY STREET HOMETOWN U.S.A.	
	3G53H10001 2C 41
53D-AA	(04J)-2-W -34345
09-04-72	1N
 EFFECTIVE WARRANTY DATE	 IMPORTANT: SEE BACK OF CARD

P-10234

Effective dates shown in the catalog, e. g. "Before 9/4/72" and "From 9/4/72" may be determined through interpretation of the build date shown on the owner card.

The numerical position of the build date represents the day of the month.

The alphabetical portion of the build date represents the month in which the unit was built.

For example - 04J Indicates
4th day of month
J - September

Refer to page 36 for a complete list of month codes and the corresponding month.


BUY IT NOW!
Click Here To Order 

WARRANTY PLATE OR CERTIFICATION LABEL

(Refer to Pages 38 thru 41 for Capri Warranty Plate Information)

YEAR CODES

CERTIFICATION LABEL SHOWN

THE FIRST DIGIT OF THE WARRANTY OR VEHICLE IDENTIFICATION NUMBER IDENTIFIES THE MODEL YEAR OF THE VEHICLE. THE FOLLOWING CHART LISTS THESE CODES AND THE CORRESPONDING MODEL YEAR.

VEHICLE SAFETY ST/ EFFECT ON THE DAT/ MANUFACTURE SHOV

③ 44H500001 PA

VEH. IDENT. NO.

BODY	COLOR	TRIM	TRA
53B	4P	CR	X

Code - 3	Year - 1973
Code - 4	Year - 1974
Code - 5	Year - 1975
Code - 6	Year - 1976
Code - 7	Year - 1977
Code - 8	Year - 1978
Code - 9	Year - 1979

Note that Bobcat unit built from June 27, 1977 and identified on the Certification Label as "8" will be merchandised in Canada as 1978 models. As of this printing this car line will be merchandised in the United States as 1977 models until announced otherwise. Catalog entries for this unit will be listed as shown in the following example:

77	L	"Before 6/27/77"
77/78	L	"From 6/27/77 to 8/1/77"
77/	L	"From 8/1/77"

ASSEMBLY PLANT CODES

CERTIFICATION LABEL SHOWN

THE SECOND DIGIT OF THE WARRANTY OR VEHICLE IDENTIFICATION NUMBER IDENTIFIES THE PLANT AT WHICH THE VEHICLE WAS ASSEMBLED. THE FOLLOWING CHART LISTS THESE CODES AND THE CORRESPONDING ASSEMBLY PLANT.

VEHICLE SAFETY ST/ EFFECT ON THE DAT/ MANUFACTURE SHOV

② 4H500001 PA

VEH. IDENT. NO.

BODY	COLOR	TRIM	TRA
53B	4P	CR	X

CODE	ASSEMBLY PLANT	CODE	ASSEMBLY PLANT	CODE	ASSEMBLY PLANT	CODE	ASSEMBLY PLANT
A	Atlanta	G	Chicago	P	Twin Cities	U	Louisville
B	Oakville	H	Lorain	R	San Jose	W	Wayne
E	Mahwah	J	Los Angeles	S	Pilot Plant (Allen Park)	X	St. Thomas
F	Dearborn	K	Kansas City	T	Metuchen	Y	Wixom
						Z	St. Louis

PRODUCTION EFFECTIVE DATES

The preferred method for identifying replacement parts for identical applications is to utilize physical differences between the parts, which are oftentimes denoted in the catalog under the description column. Occasionally it is necessary to reference the vehicle build date to determine which replacement part to order. The dates are shown in the text as "BEFORE" and "FROM" a specific date. The date shown in the catalog is the earliest tentative production incorporation date and therefore is subject to change. It is also possible that a production change which is effective at more than one assembly plant may be incorporated on different dates. For these reasons the productions effective date shown in the catalog should be considered as an approximate date.



BUY IT NOW!

Click Here To Order



WARRANTY PLATE or CERTIFICATION LABEL

(Refer to Pages 38 thru 41 for Capri Warranty Plate Information)

SERIES CODES

CERTIFICATION LABEL SHOWN

THE THIRD AND FOURTH DIGITS OF THE WARRANTY OR VEHICLE IDENTIFICATION NUMBER IDENTIFY THE BODY SERIES.
THE FOLLOWING CHART LISTS THESE CODES (IN CONJUNCTION WITH THE BODY TYPE CODES - EXCEPT 1965 CANADIAN BUILT VEHICLES) AND THE SERIES OR MODEL WHICH THEY REPRESENT.

VEHICLE SAFETY STA EFFECT ON THE DATA MANUFACTURE SHOV			
3244	1500001	PA	
VEH. IDENT. NO.			
BODY	COLOR	TRIM	TRA
53B	4P	CR	

CODE SERIES	TYPE	YEAR	DESCRIPTION	CODE SERIES	TYPE	YEAR	DESCRIPTION
(A) MERCURY							
40	53X	73/74	Marquis 4 Door Pillared Hardtop	63	53H	73/77	Marquis 4 Door Pillared Hardtop
41	65X	73/74	Marquis 2 Door Hardtop		65K	78	Marquis Brougham 2 Door Hardtop
42	57X	73/74	Marquis 4 Door Hardtop		66K	79	Marquis Brougham 2 Door Sedan
44	53B	73/74	Monterey 4 Door Pillared Hardtop	64	65K	73/77	Marquis Brougham 2 Door Hardtop
46	65B	73/74	Monterey 2 Door Hardtop		53K	78	Marquis Brougham 4 Door Pillared Hardtop
50	53H	77/78	Marquis 4 Door Pillared Hardtop - (Canada only)		54K	79	Marquis Brougham 4 Door Sedan
52	65H	77/78	Marquis 2 Door Hardtop (Canada only)	65	65L	78	Gran Marquis 2 Door Hardtop
54	53F	73/74	Monterey Custom 4 Door Pillared Hardtop		66L	79	Gran Marquis 2 Door Sedan
56	65F	73/74	Monterey Custom 2 Door Hardtop	66	65H	73/77	Marquis 2 Door Hardtop
60	53L	75/77	Gran Marquis 4 Door Pillared Hardtop		53L	78	Gran Marquis 4 Door Pillared Hardtop
61	65L	75/77	Gran Marquis 2 Door Hardtop		54L	79	Gran Marquis 4 Door Sedan
	65H	78	Gran Marquis 2 Door Hardtop	67	57K	73/74	Marquis Brougham 4 Door Hardtop
	66H	79	Marquis 2 Door Sedan	68	57H	73/74	Marquis 4 Door Hardtop
62	53K	73/77	Marquis Brougham 4 Door Pillared Hardtop	72	71B	73/74	Monterey Station Wagon
	53H	78	Marquis 4 Door Pillared Hardtop	74	71H	73/76	Marquis Station Wagon
	54H	79	Marquis 4 Door Sedan		71K	77/78	Marquis Station Wagon
					74H	79	Marquis Station Wagon
				76	71K	73/77	Marquis Brougham Station Wagon
					74K	79	Colonv Park Station Wagon
(C) MONTEGO (1973/76)							
02	53B	73/76	4 Door Pillared Hardtop	10	53K	73/76	Brougham 4 Door Pillared Hardtop
03	65B	73/76	2 Door Hardtop (Formal Roof)	11	65K	73/76	Brougham 2 Door Hardtop (Formal Roof)
04	53D	73/76	MX 4 Door Pillared Hardtop	16	63R	73	GT 2 Door Hardtop (Fastback Roof)
07	65D	73/76	MX 2 Door Hardtop (Formal Roof)	18	71K	73/76	Villager Station Wagon
08	71D	73/76	MX Station Wagon				
(D) LINCOLN							
81	65A	73/74	2 Door Hardtop	82	53A	73/74	4 Door Pillared Hardtop
	60B	75/	2 Door Pillared Hardtop		53B	75/	4 Door Pillared Hardtop
(F) COUGAR							
90	53D	77	4 Door Pillared Hardtop	93	65F	73/76	XR7 2 Door Hardtop
91	65D	73	2 Door Hardtop		65L	77/	XR7 2 Door Hardtop
	65D	77/	2 Door Hardtop	94	76F	73	XR7 Convertible
92	76D	73	Convertible		53K	77	Brougham 4 Door Pillared Hardtop
	71D	77	Station Wagon	95	65K	77	Brougham 2 Door Hardtop
	53D	78/	4 Door Pillared Hardtop	96	71K	77	Villager Station Wagon
(G) MONARCH							
33	66H	78/	2 Door Sedan	37	54K	75/77	Ghia 4 Door Sedan
34	54H	75/	4 Door Sedan	38	66K	75/77	Ghia 2 Door Sedan
35	66H	75/77	2 Door Sedan				
(J) CAPRI (1979)							
14	61D	79	3 Door Fastback	16	61H	79	Ghia 3 Door Fastback
(K) MARK IV, MARK V							
89	65D	73/	2 Door Sedan				



BUY IT NOW!

Click Here To Order



**1973/79
LINCOLN-MERCURY CARS**

WARRANTY PLATE or CERTIFICATION LABEL

(Refer to Pages 38 thru 41 for Capri Warranty Plate Information)

SERIES CODES - cont'd.

CODE			YEAR	DESCRIPTION	CODE			YEAR	DESCRIPTION
SERIES	TYPE				SERIES	TYPE			
(L) BOBCAT									
13	62B	74		2 Door Sedan	22	73H	75/	2 Door Station Wagon	
14	64B	74		3 Door Sedan (Runabout)	23	62B	75/	2 Door Sedan (Canada only)	
15	73B	74		2 Door Station Wagon	24	64B	75/	3 Door Sedan - Runabout (Canada only)	
20	64H	75/		3 Door Sedan (Runabout)	25	73B	75/	2 Door Station Wagon (Canada only)	
(P) COMET (1973/77)									
30	54B	73/77		4 Door Sedan	31	62B	73/77	2 Door Sedan - Fast Back	
(P) ZEPHYR									
31	66D	78/		2 Door Sedan	35	36R	78/	Sporty Coupe 2 Door Sedan	
32	54D	78/		4 Door Sedan	36	74D	78/	Station Wagon	
(V) VERSAILLES									
84	54M	77/		4 Door Sedan					
(Y) METEOR (1973/76)									
49	53B	73/76		Rideau 500 4 Door Pillared Hardtop	52	65B	73/76	Montcalm 2 Door Hardtop	
50	53B	73/76		Montcalm 4 Door Pillared Hardtop	70	71B	73/76	Rideau 500 Station Wagon	
51	65B	73/76		Rideau 500 2 Door Hardtop	71	71B	73/76	Montcalm Station Wagon	

ENGINE CODES

CERTIFICATION LABEL SHOWN

THE FIFTH DIGIT OF THE WARRANTY OR VEHICLE IDENTIFICATION NUMBER INDICATES BASIC ENGINE IDENTIFICATION.
THE FOLLOWING CHART LISTS THESE CODES AS WELL AS NUMBER OF CYLINDERS, CUBIC INCH DISPLACEMENT AND NUMBER OF CARBURETOR VENTURI.
FOR FURTHER ENGINE IDENTIFICATION REFER TO SECTION 60 IN THIS CATALOG.

VEHICLE SAFETY STA
EFFECT ON THE DAT
MANUFACTURE SHOV

3Z4 (H) 00001 P/
VEH. IDENT. NO. |
BODY | COLOR | TRIM | TRA
53B 4P CR >

CODE	YEAR	ENGINE		CARB.	REMARKS	CODE	YEAR	ENGINE		CARB.	REMARKS
		CYL	C.I.D.					CYL	C.I.D.		
A	73/78	8	460	4/B	Exc. P/C-7500 cc or 7.5 litres	R	73	8	351	4/B	HO
C	73/78	8	460	4/B	P/C-7500 cc or 7.5 litres	S	73/	8	400	2/B	6600 cc or 6.6 litres
F	73/	8	302	2/B	P/C-5000 cc or 5.0 litres	T	73/	6	200	1/B	3300 cc or 3.3 litres
H	73/	8	351	2/B	5800 cc or 5.8 litres	W	79	4	139	2/B	2300 cc or 2.3 litres-T/C
L	73/	6	250	1/B	4100 cc or 4.1 litres	X	74	4	122	2/B	2000 cc or 2 litres
N	73	8	429	4/B		Y	74/	4	140	2/B	2300 cc or 2.3 litres
Q	73/74	8	351	4/B	CJ	Z	75/	6	171	2/B	2800 cc or 2.8 litres



BUY IT NOW!

Click Here To Order



1973/79 LINCOLN-MERCURY CARS

**GENERAL
INFORMATION**

31

WARRANTY PLATE OR CERTIFICATION LABEL

(Refer to Pages 38 thru 41 for Capri Warranty Plate Information)

BODY TYPE CODES

CERTIFICATION LABEL SHOWN

VEHICLE SAFETY ST EFFECT ON THE DAT MANUFACTURE SHOV			
3Z44H500001			PA
VEH. IDENT. NO.			
BODY	COLOR	TRIM	TRA
(53B)	4P	CR)

THIS CODE APPEARS ABOVE OR BELOW "BODY" AND IDENTIFIES THE BODY TYPE OF THE UNIT.
THE FOLLOWING CHART LISTS THESE CODES (IN CONJUNCTION WITH THE SERIES CODES)
AND THE BODY TYPE WHICH THEY REPRESENT.

CODE TYPE	YEAR	DESCRIPTION	CODE TYPE	YEAR	DESCRIPTION		
(A) MERCURY							
53B	44	73/74	Monterey 4 Door Pillared Hardtop	65B	46	73/74	Monterey 2 Door Hardtop
53F	54	73/74	Monterey Custom 4 Door Pillared Hardtop	65F	56	73/74	Monterey Custom 2 Door Hardtop
53H	63	73/77	Marquis 4 Door Pillared Hardtop	65H	66	73/77	Marquis 2 Door Hardtop
	50	77/78	Marquis 4 Door Pillared Hardtop - (Canada only)	52	77/78	Marquis 2 Door Hardtop (Canada only)	
	62	78	Marquis 4 Door Pillared Hardtop	61	78	Marquis 2 Door Hardtop	
53K	62	73/77	Marquis Brougham 4 Door Pillared Hardtop	65K	64	73/77	Marquis Brougham 2 Door Hardtop
	64	78	Marquis Brougham 4 Door Pillared Hardtop	63	78	Marquis Brougham 2 Door Hardtop	
53L	60	75/77	Gran Marquis 4 Door Pillared Hardtop	65L	61	75/77	Gran Marquis 2 Door Hardtop
	66	78	Gran Marquis 4 Door Pillared Hardtop	65	78	Gran Marquis 2 Door Hardtop	
53X	40	73/74	Marquis 4 Door Pillared Hardtop	65X	41	73/74	Marquis 2 Door Hardtop
54H	62	79	Marquis 4 Door Sedan	66H	61	79	Marquis 2 Door Sedan
54K	64	79	Marquis Brougham 4 Door Sedan	66K	63	79	Marquis Brougham 2 Door Sedan
54L	66	79	Gran Marquis 4 Door Sedan	66L	65	79	Gran Marquis 2 Door Sedan
57H	68	73/74	Marquis 4 Door Hardtop	71B	72	73/74	Monterey Station Wagon
57K	67	73/74	Marquis Brougham 4 Door Hardtop	71H	74	73/76	Marquis Station Wagon
57X	42	73/74	Marquis 4 Door Hardtop	71K	76	73/77	Marquis Brogham Station Wagon
				74	78	Marquis Station Wagon	
				74H	74	79	Marquis Station Wagon
				74K	76	79	Colony Park Station Wagon
(C) MONTEGO (1973/76)							
53B	02	73/76	4 Door Pillared Hardtop	65D	07	73/76	MX 2 Door Hardtop (Formal Roof)
53D	04	73/76	MX 4 Door Pillared Hardtop	65K	11	73/76	Brougham 2 Door Hardtop (Formal Roof)
53K	10	73/76	Brougham 4 Door Pillared Hardtop	71D	08	73/76	MX Station Wagon
63R	16	73	GT 2 Door Hardtop (Fastback Roof)	71K	18	73/76	Villager Station Wagon
65B	03	73/76	2 Door Hardtop (Formal Roof)				
(D) LINCOLN							
53A	82	73/74	4 Door Pillared Hardtop	60B	81	75/	2 Door Pillared Hardtop
53B	82	75/	4 Door Pillared Hardtop	65A	81	73/74	2 Door Hardtop
(F) COUGAR							
53D	90	77	4 Door Pillared Hardtop	65K	95	77	Brougham 2 Door Hardtop
	92	78/	4 Door Pillared Hardtop	65L	93	77/	XR7 2 Door Hardtop
53K	94	77	Brougham 4 Door Pillared Hardtop	71D	92	77	Station Wagon
65D	91	73	2 Door Hardtop	71K	96	77	Villager Station Wagon
	91	77/	2 Door Hardtop	76D	92	73	Convertible
65F	93	73/76	XR7 2 Door Hardtop	76F	94	73	XR7 Convertible
(J) CAPRI (1979)							
61D	14	79	3 Door Fast back	61H	16	79	Ghia 3 Door Fastback
(G) MONARCH							
54H	34	75/	4 Door Sedan	66H	35	75/77	2 Door Sedan
54K	37	75/77	Ghia 4 Door Sedan	33	78/	2 Door Sedan	
				66K	38	75/77	Ghia 2 Door Sedan
(K) MARK IV, MARK V							
65D	80	73/	2 Door Hardtop				

COPYRIGHT © 1986 — FORD MOTOR — DEARBORN, MICHIGAN
COMPANY

New Issue

100% SATISFACTION GUARANTEED

BUY IT NOW!

Click Here To Order

WARRANTY PLATE or CERTIFICATION LABEL

(Refer to Pages 38 thru 41 for Capri Warranty Plate Information)

BODY TYPE CODES - cont'd.

CODE			DESCRIPTION	CODE			DESCRIPTION
TYPE	SERIES	YEAR		TYPE	SERIES	YEAR	
(L) BOBCAT							
62B	13	74	2 Door Sedan	64H	20	75/	3 Door Sedan (Runabout)
	23	75/	2 Door Sedan (Canada only)	73B	15	74	2 Door Station Wagon
64B	14	74	3 Door Sedan (Runabout)		25	75/	2 Door Station Wagon (Canada only)
	24	75/	3 Door Sedan-Runabout (Canada only)	73H	22	75/	2 Door Station Wagon
(P) COMET (1973/77)							
54B	30	73/77	4 Door Sedan	62B	31	73/77	2 Door Sedan - Fast Back
(P) ZEPHYR							
36R	35	78/	Sporty Coupe 2 Door Sedan	66D	31	78/	2 Door Sedan
54D	32	78/	4 Door Sedan	74D	36	78/	Station Wagon
(V) VERSAILLES							
54M	84	77/	4 Door Sedan				
(Y) METEOR (1973/76)							
53B	49	73/76	Rideau 500 4 Door Pillared Hardtop	71B	70	73/76	Rideau 500 Station Wagon
	50	73/76	Montcalm 4 Door Pillared Hardtop		71	73/76	Montcalm Station Wagon
65B	51	73/76	Rideau 500 2 Door Hardtop				
	52	73/76	Montcalm 2 Door Hardtop				

VINYL ROOF TYPE and COLOR IDENTIFICATION

1975/78 -REFER TO COLOR CODES-EXTERIOR PAINT ON PAGE 33

CERTIFICATION LABEL SHOWN

1979 A CODE (TWO DIGITS) IDENTIFYING THE ROOF STYLE AND TYPE OF GRAIN (FIRST POSITION) AND THE COLOR (SECOND POSITION). REFER TO THE APPROPRIATE SOFT TRIM SECTION FOR A LISTING AND DESCRIPTION OF THE VINYL ROOF COVER CODES.

**VEHICLE CONFORMS TO
FEDERAL STANDARDS IN EFFECT**

EXTERIOR NO.

EXTERIOR PAINT COLORS
BY VR HD MLDG

1979 VINYL BODYSIDE MOULDING CODES

CERTIFICATION LABEL SHOWN

A CODE (THREE DIGITS) WHICH IDENTIFIES THE VINYL BODYSIDE MOULDING COLOR. REFER TO THE 1979 EXTERIOR MOULDING SECTION WHERE THE APPROPRIATE CODE IS LISTED WITH THE PART NUMBER OF THE BODYSIDE MOULDING IT REPRESENTS.

**CONFORMS TO ALL APPLICABLE
FEDERAL STANDARDS IN EFFECT OF**

PAINT COLORS
BY VR HD MLDG INT.

100% SATISFACTION GUARANTEED

BUY IT NOW!

Click Here To Order

PayPal American Express Discover MasterCard VISA

WARRANTY PLATE or CERTIFICATION LABEL

(Refer to Pages 38 thru 41 for Capri Warranty Plate Information)

COLOR CODES - EXTERIOR PAINT

CERTIFICATION LABEL SHOWN

1973/74

THE CODE ABOVE OR BELOW "COLOR" INDICATES THE EXTERIOR PAINT COLOR OF THE VEHICLE.
REFER TO THE PAINT SECTION FOR A LISTING OF THESE CODES AND THE PART NUMBER OF THE REQUIRED PAINT.

VEHICLE SAFETY STAND EFFECT ON THE DATE MANUFACTURE SHOWN			
3Z44H500001			PA
VEH. IDENT. NO.			
BODY	COLOR	TRIM	TRANS
53B	4P	CR	>

1975/78

CERTIFICATION LABEL SHOWN

A CODE (TWO DIGITS) REPRESENTING THE EXTERIOR BODY PAINT COLOR-SOLID COLOR.
FOUR CODES IF TWO-TONED, OR VINYL ROOF INSTALLED.

NOTE: SPECIAL ORDER PAINTS WILL NOT REFLECT A PAINT CODE IN THE "COLOR" SPACE ON THE CERTIFICATION LABEL- FOR IDENTIFICATION REFER TO THE SPECIAL ORDER NUMBER SHOWN UNDER THE "DSO" SPACE AFTER THE TWO DIGIT DISTRICT CODE.

THE CODE ABOVE OR BELOW "COLOR" INDICATES THE EXTERIOR PAINT COLOR OF THE VEHICLE.
REFER TO THE PAINT SECTION FOR A LISTING OF THESE CODES AND THE PART NUMBER OF THE REQUIRED PAINT.

VEHICLE SAFETY STAND EFFECT ON THE DATE MANUFACTURE SHOWN			
3Z44H500001			PART
VEH. IDENT. NO.			
BODY	COLOR	TRIM	TRANS
53B	ICDA	CR	X

1979

CERTIFICATION LABEL SHOWN

THE CODE ABOVE OR BELOW "COLOR" INDICATES THE EXTERIOR PAINT COLOR OF THE VEHICLE.
REFER TO THE PAINT SECTION FOR A LISTING OF THESE CODES AND THE PART NUMBER OF THE REQUIRED PAINT.

DUMPER J1111111111111111

VEH. IDENT NO. TYPE		
1C		
EXTERIOR PAINT COLORS		
BODY	VR	MLDG

TRIM CODES

1973/74

CERTIFICATION LABEL SHOWN

THE CODE SHOWN ABOVE OR BELOW "TRIM" INDICATES THE COLOR AND TYPE OF MATERIALS USED IN THE INTERIOR UPHOLSTERY AS WELL AS THE COLOR OF THE INTERIOR PAINT.

1975/

TWO CODE COMBINATION REPRESENTING THE SEAT TYPE AND COLOR OF INTERIOR TRIM SCHEME.

REFER TO THE APPROPRIATE SOFT TRIM SECTION FOR A LISTING OF THESE CODES AND THE COLOR AND TYPE OF MATERIALS USED IN THE INTERIOR UPHOLSTERY. REFER TO THE PAINT SECTION FOR A LISTING OF THESE CODES AND THE PART NUMBER FOR THE REQUIRED PAINT.

VEHICLE SAFETY STAND EFFECT ON THE DATE MANUFACTURE SHOWN			
3Z44H500001			PA
VEH. IDENT. NO.			
BODY	COLOR	TRIM	TRANS
53B	4P	CR	>



BUY IT NOW!

Click Here To Order



1973/79 LINCOLN-MERCURY CARS

WARRANTY PLATE or CERTIFICATION LABEL

(Refer to Pages 38 thru 41 for Capri Warranty Plate Information)

AIR CONDITIONER CODE

PLATE FEDERAL MOTOR VEHICLE
DATE OF MANUFACTURE

- A - FORD FACTORY INSTALLED (INTEGRAL) AIR CONDITIONING (1978 /)
- AR8- AIR CONDITIONING (NON-FACTORY INSTALLED) (1978 only)
- AR9- AIR CONDITIONING (NON-FACTORY INSTALLED MANUAL A/C) (1978 only)
- BLANK-UNIT BUILT AND DELIVERED LESS FACTORY INSTALLED (INTEGRAL) AIR CONDITIONING(1978/)

CERTIFICATION LABEL SHOWN



1979 RADIO TYPE CODES

PLATE FEDERAL MOTOR VEHICLE
DATE OF MANUFACTURE

THE CODE SHOWN BELOW IDENTIFIES THE TYPE OF RADIO AND WHETHER OR NOT THE VEHICLE IS ALSO EQUIPPED WITH C.B. RADIO OPTION.

CERTIFICATION LABEL SHOWN



CODE	DESCRIPTION	CODE	DESCRIPTION
G	AM/FM MPX, Cassette - w/CB Radio	T	AM/FM Mono & Dual Rear Speakers - w/o CB Radio
H	AM Digital Clock and Dual Rear Speakers-w/o CB Radio	U	AM/FM MPX Quad 8 Electronic - w/CB Radio
J	AM/FM MPX Quadrasonic Tape - w/CB Radio	V	Flexibility Option - w/o CB Radio
K	AM - w/CB Radio	W	AM/FM MPX Quad 8 Electronic - w/o CB Radio
L	AM/FM Monaural - w/CB Radio	1	AM/FM MPX Quadrasonic Tape - w/o CB Radio
M	AM/FM Multiplex - w/CB Radio	2	AM - w/o CB Radio
N	AM/FM Multiplex Stereo Tape - w/CB Radio	3	AM/FM Monaural - w/o CB Radio
O	AM/FM Multiplex Search - w/CB Radio	4	AM/FM Multiplex - w/o CB Radio
P	AM and Dual Rear Speakers - w/CB Radio	5	AM/FM Multiplex Stereo Tape - w/o CB Radio
Q	AM/FM Mono & Dual Rear Speakers - w/CB Radio	6	AM/FM Multiplex Search - w/o CB Radio
R	AM Stereo Tape - w/CB Radio	7	AM/FM MPX, Cassette - w/o CB Radio
S	AM and Dual Rear Speakers - w/o CB Radio	8	AM Digital Clock - w/o CB Radio
		9	AM Stereo Tape - w/o CB Radio

1979 SUN ROOF/MOON ROOF CODES

PLATE FEDERAL MOTOR VEHICLE
DATE OF MANUFACTURE

- A - SUNROOF REMOVABLE SIDE PANEL-"T" ROOF
- B - SUNROOF GLASS-SLIDING ROOF
- C - SUNROOF REMOVABLE GLASS
- E - SUNROOF GLASS FIXED

CERTIFICATION LABEL SHOWN



100% SATISFACTION GUARANTEED

BUY IT NOW!

Click Here To Order

WARRANTY PLATE or CERTIFICATION LABEL

(Refer to Pages 38 thru 41 for Capri Warranty Plate Information)

TRANSMISSION CODES

CERTIFICATION LABEL SHOWN

TYPE STANDARDS IN
E DATE OF
E SHOWN ABOVE
PASSENGER

THE CODE SHOWN ABOVE OR BELOW "TRANS" IDENTIFIES THE TYPE OF TRANSMISSION.
THE FOLLOWING CHART LISTS THESE CODES AND THE TRANSMISSION WHICH THEY REPRESENT.

TYPE			
IM	TRANS	AXLE	DSO
R	X	6	42

CODE	YEAR	TYPE	CODE	YEAR	TYPE
1	73/78	3 Speed Manual Shift	V	75/	C3 Automatic
5	73/76	4 Speed Manual Shift-U.S. or German	W	73/	C4 Automatic
	78/	4 Speed Manual - Overdrive (Ford)			
6	79	4 Speed Manual - Borg Warner	X	73/	Cruise-O-Matic (FMX)
7	77/	4 Speed manual shift - Hummer (German)	Y	79	Cruise-O-Matic - Borg Warner
S	77/	Jatco Automatic	Z	73/76	C6 Automatic Special - (Police and Trailer Towing)
U	73/	C6 Automatic			

REAR AXLE RATIO CODES

CERTIFICATION LABEL SHOWN

TYPE STANDARDS IN
E DATE OF
E SHOWN ABOVE
PASSENGER

THE CODE SHOWN ABOVE OR BELOW "AXLE" IDENTIFIES THE RATIO OF THE REAR AXLE.
THE FOLLOWING CHART LISTS THESE CODES AND THE CORRESPONDING RATIO.
FOR FURTHER IDENTIFICATION REFER TO SECTION 40 IN THIS CATALOG.

TYPE			
IM	TRANS	AXLE	DSO
R	X	6	42

CODE	YEAR	REMARKS	RATIO		CODE	YEAR	REMARKS	RATIO	
			LOCKING	NON-LKG.				LOCKING	NON-LKG.
1	77/			2.50	H	79		2.73	
2	73/			2.75	J	77/		2.50	
3	73/			2.79	K	73/76,		2.75	
4	76/78			3.18		79			
5	74/76			3.07	L	73/76,		2.79	
6	73/			3.00		79			
7	73/78			3.40	M	76		3.18	
8	77/			2.73	O	73/		3.00	
9	73/76			3.25					
A	73/74			3.50	P	73/76		3.40	
B	77/			2.47	R	73/76		3.25	
C	79				S	73/74		3.50	
E	74/76		2.47		W	79		3.45	
F	79		3.07		X	74/76		3.55	
G	73/76			3.45	Y	78/			3.08
	79			3.55					
				2.26					

COPYRIGHT © 1986 — FORD MOTOR COMPANY — DEARBORN, MICHIGAN

New Issue



BUY IT NOW!

Click Here To Order



WARRANTY PLATE or CERTIFICATION LABEL

(Refer to Pages 38 thru 41 for Capri Warranty Plate Information)

1979 FRONT-REAR SPRING CODES

THE CODE SHOWN BELOW (TR) IDENTIFIES THE PART NUMBERS OF THE FRONT AND REAR COIL SPRINGS (GROUP 5310 AND 5560).

FOR CROSS REFERENCE FROM CODE TO SERVICE PART NUMBER REFER TO SECTION 53.74/ IN THIS CATALOG.

CERTIFICATION LABEL SHOWN

**VEHICLE SAFETY AND
EQUIPMENT LABEL
SHOWN ABOVE.**



MONTH CODES

THE MONTH CODE IS SHOWN ON THE CERTIFICATION LABEL IN THE UPPER LEFT HAND CORNER (e.g. 9/72 INDICATES SEPTEMBER 1972).

THE MONTH AND DAY OF MANUFACTURE IS SHOWN ON THE OWNER CARD.

THE NUMERICAL PORTION IDENTIFIES THE DAY AND THE ALPHABETICAL PORTION IDENTIFIES THE MONTH.

THE MONTH CODES ARE LISTED IN THE FOLLOWING CHART TOGETHER WITH THE MONTH WHICH THEY REPRESENT.

CERTIFICATION LABEL

OWNER CARD

MFD. BY FORD MOTO

DATE: 09/72

GAWR: FRONT 2964

THIS VEHICLE CONFC

ALL APPLICABLE FED

VEHICLE SAFETY STA

DEFECT ON THE DATE

1973 EVERY STREET

HOMETOWN U.S.A.

3G53F

53D-AA 04J-2

09-04-72 1N

EFFECTIVE WARRANTY DATE

CODE	MONTH - FIRST YEAR	CODE	MONTH - FIRST YEAR	CODE	MONTH - SECOND YEAR	CODE	MONTH - SECOND YEAR
A	January	G	July	N	January	U	July
B	February	H	August	P	February	V	August
C	March	J	September	Q	March	W	September
D	April	K	October	R	April	X	October
E	May	L	November	S	May	Y	November
F	June	M	December	T	June	Z	December

1979 BUILD DATE STAMP LOCATIONS

LOCATION OF VEHICLE BUILD DATE STAMP

TOP OF RADIATOR SUPPORT

EXAMPLE

ASSEMBLY PLANTS ARE USING A 4 DIGIT NUMBER THAT INDICATES THE MONTH AND DAY OF BUILD.

Actual Calendar
Date of Build

Date Stamp
On Unit

January 24
October 21

0124
1021



BUY IT NOW!

Click Here To Order



WARRANTY PLATE or CERTIFICATION LABEL

(Refer to Pages 38 thru 41 for Capri Warranty Plate Information)

DISTRICT CODES

CERTIFICATION LABEL SHOWN

TYPE STANDARDS IN
DATE OF
E SHOWN ABOVE
PASSENGER

THE CODE SHOWN ABOVE OR BELOW "D.S.O." IDENTIFIES THE DISTRICT WHICH ORDERED THE UNIT.
THE FOLLOWING CHART LISTS THESE CODES AND THE DISTRICT WHICH THEY REPRESENT.
FOR AN EXPLANATION OF THE DSO PORTION OF THE NUMBER REFER TO PAGE

TYPE			
IM	TRANS.	AXLE	DSO
R	X	6	42

CODE	DISTRICT	CODE	DISTRICT	CODE	DISTRICT	CODE	DISTRICT
A1	Central (Ford of Canada)	12	Export (Ford of Canada)	23	Jacksonville	42	St. Louis
A2	Eastern (Ford of Canada)	11	Boston	26	Memphis	46	Twin Cities
A3	Atlantic (Ford of Canada)	15	New York	31	Buffalo	51	Denver
A4	Midwestern (Ford of Canada)	16	Philadelphia	32	Cincinnati	52	Los Angeles
		17	Washington	33	Cleveland	53	Oakland
A6	Western (Ford of Canada)	21	Atlanta	34	Detroit	54	Seattle
A7	Pacific (Ford of Canada)	22	Dallas	41	Chicago	84	Home Office Reserve
A8	Great Lakes (Ford of Canada)					90/99	Export

ENGINE ASSEMBLY PLANT CODES

THE CODE SHOWN BELOW IS SHOWN ONLY ON THE ENGINE IDENTIFICATION TAG - REFER TO SECTION 60 FOR COMPLETE INFORMATION.

ENGINE CODE	ENGINE PLANT	ENGINE CODE	ENGINE PLANT
C	Cleveland	W	Windsor - Canada



BUY IT NOW!
Click Here To Order



**1973/79
LINCOLN-MERCURY CARS**

**CAPRI WARRANTY PLATE - TYPICAL
1973/77 (U.S.) 1973/78 (CANADA)**

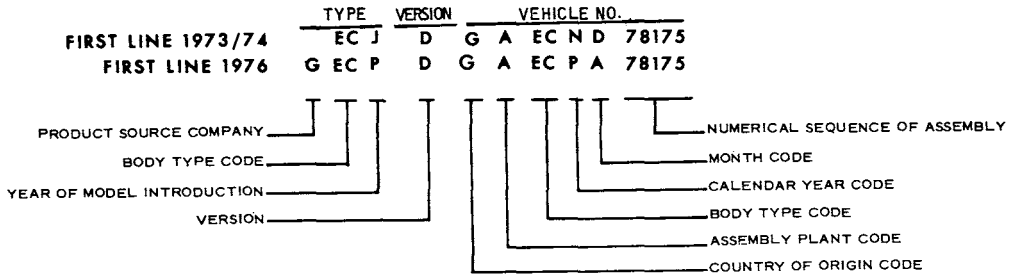
1979 CAPRI (Refer to pages 28 thru 37 for Warranty Plate Information)

Located on the right hand fender apron in the engine compartment

The Warranty Plate includes -

1. Type and Vehicle Number (first line) consists of codes which identify Body Type, Year of Model Introduction, Country of Origin, Assembly Plant, Body Type, Calendar Year, Month and Numerical Sequence of Assembly.
2. Miscellaneous Vehicle Data (second line) consists of codes which identify Drive, Engine, Transmission, Rear Axle Ratio, Color of Exterior Paint and Trim.

Refer to Pages 36 and 37 for complete listing of Codes.



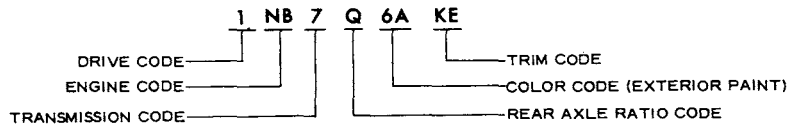
- EC --- Two Door Sedan
- J-P --- J-1969 P-1974
- G --- Germany
- A --- Assembled at Cologne
- EC --- Two Door Sedan
- N-P --- N-1973 (Calendar Year) P-1974 (Calendar Year)
- D-A --- November
- 78195 --- 78195th vehicle assembled at Cologne during Calendar year

**FORD-WERKE AG KÖLN
WESTERN GERMANY**

Typ/Type	Version	Fahrgestell/Vehicle No.					
ECJ	D	GAECND		78175			
Zul. Gesamtgew. Gross Vehicle Wgt.		Zul. Achslast vorn Perm. Axle Ld. Front		Zul. Achslast hinten Perm. Axle Ld. Rear			
Kg		Kg		Kg			
Lenk Drive	Motor Engine	Getr. Trans.	Achse Axle	Farbe Colour	Polst Trim	K.D. Ref.	Bremsen Brakes
1	NB	7	Q	6A	KE		

P-8231

SECOND LINE (1 NB 7 Q 6A KE) MISCELLANEOUS VEHICLE DATA



- 1 --- Left Hand Drive
- NB --- 2000 cc (122 C. I. D.)
- 7 --- Automatic Transmission (Floor Shift)
- Q --- Rear Axle Ratio of 3.44 to 1
- 6A --- Evergreen Metallic (6) with Black vinyl roof (A)
- KE --- Ermine White Vinyl



BUY IT NOW!

Click Here To Order



**1973/79
LINCOLN-MERCURY CARS**

GENERAL
INFORMATION

**CAPRI WARRANTY PLATE - TYPICAL - continued
1973/77 (U.S.) 1973/78 (CANADA)**

1979 CAPRI (Refer to pages 28 thru 37 for Warranty Plate Information)

DRIVE CODES

1 - Left Hand Drive

2 - Right Hand Drive

YEAR of MODEL INTRODUCTION

J - 1969: For Model Years 1973/74

P - 1974: For Model Year 1976/

CATALOG MODEL YEAR CODES

The vehicle model year as shown in this catalog is to be determined from the Build Date indicated below:

MODEL YEAR	* BUILD DATE	
	FROM	TO
1973	9/72	7/73
1974	8/73	10/74
1976	11/74	12/76
1977	1/77	

* Build Date is identified on Warranty Plate as Calendar Year Code and Month Code. These codes are explained on the next page.

ENGINE CODES

NB - 122 C.I.D. (2000 cc or 2.0 Litre)

PX - 171 C.I.D. (2800 cc or 2.8 Litre)

UX - 159 C.I.D. (2600 cc or 2.6 Litre)

Y8 - 140 C.I.D. (2300 cc or 2.3 Litre)-8.7% compression ratio)

Y9 - 140 C.I.D. (2300 cc or 2.3 Litre)-9.1% compressor ratio)

TRANSMISSION CODES

B - Manual transmission (floor shift)

C - Automatic transmission (C4)

D - Automatic transmission (C3)

REAR AXLE RATIO CODES

B - 3.75 to 1

C - 3.89 to 1

L - 3.09 to 1

R - 3.22 to 1

S - 3.44 to 1

COLOR CODES (EXTERIOR PAINT)

Single digit code indicates solid color. Two digit code indicates solid color with vinyl roof cover. For a listing of these codes and the part number of the required paint refer to Paint Section

TRIM CODES

First digit indicates color. Second digit indicates type of fabric
Refer to the appropriate Soft Trim Section for a listing of these codes and the color and type of materials used in the Interior Upholstery.

COUNTRY of ORIGIN CODES

G - Germany



BUY IT NOW!
Click Here To Order



1973/79 LINCOLN-MERCURY CARS

CAPRI WARRANTY PLATE - TYPICAL - continued 1973/77 (U.S.) 1973/78 (CANADA)

1979 CAPRI (Refer to pages 28 thru 37 for Warranty Plate Information)

ASSEMBLY PLANT CODES

A - Cologne B - Genk

VERSION

- D - All Capri 1973/74
- D - 64D (Base model) 1976/ (Full Fold Down Rear Seat)
- P - 64P (Decor model) 1976 (Split Fold Down Rear Seat)
- P - 64P (Decor model-Ghia badged) 1977/ (Split Fold Down Rear Seat)
- T - 64T (Ghia model) 1976
- S - 64S ("S" model) 1976

BODY TYPE CODES

- EC - Two Door Sedan
- 61D - Three Door Fastback
- 61H - Three Door Fastback - Ghia

CALENDAR YEAR CODES

- (First Digit of Date Code)
- N - 1973
 - P - 1974
 - R - 1975
 - S - 1976
 - T - 1977

MONTH CODES

(Second Digit of Date Code)

MONTH CODE	1973 CALENDAR YEAR CODE N	1974 CALENDAR YEAR CODE P	1975 CALENDAR YEAR CODE R	MONTH CODE	1976 CALENDAR YEAR CODE S	1977 CALENDAR YEAR CODE T	CALENDAR YEAR
A	July	November		A	March	July	
B	May	September		B	January	May	
C	September		January	C	May	September	
D	November		March	D	July	November	
E	December		April	E	August	December	
G	August	December		G	April	August	
J	January	May	September	J		January	
K	October		February	K	June	October	
L		January	May	L	September		
M	March	July	November	M		March	
P	April	August	December	P		April	
R	June	October		R	February	June	
S		March	July	S	November		
T		April	August	T	December		
U	February	June	October	U		February	
Y		February	June	W	October		

BUY IT NOW!

Click Here To Order

1973/79
LINCOLN-MERCURY CARS

GENERAL
 INFORMATION

CAPRI WARRANTY PLATE - TYPICAL - continued

1973/77 (U.S.) 1973/78 (CANADA)

1979 CAPRI (Refer to pages 28 thru 37 for Warranty Plate Information)

LOCATIONS OF VEHICLE NUMBER

★ GAECKS00001 ★

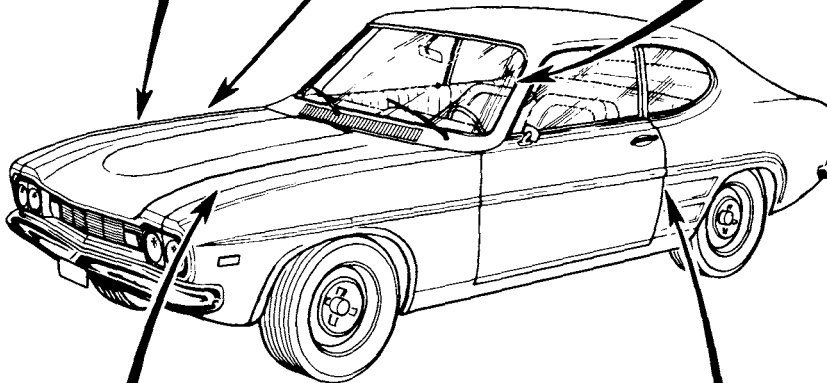
METAL TAG

FORD-WERKE AG KÖLN				Acstein Germany	
Lenk	Motor	Getriebe	Achse	Farbe	Polst.
Dirve	Engine	Transm.	Axle	Color	Trim
1	41	3	V	8	41N
Typ/Typ		Version		Fahrzeug-/Vehicle-No.	
ECK		GAECK		KS00001	
Kg	Zul. Gesamtgew.		Gross Vehicle Weight		
Pg	Zul. Achslast vorn / Perm. Axle Load front				
Kg	Zul. Achslast hinten / Perm. Axle Load rear				

WARRANTY PLATE

GAECKS00001

METAL TAG



GAECKS00001
 1 5 G 16 C 1 75
 67 3 122
 3 2 428

METAL PLATE

01/70
 THIS MEMBER CONFORMS TO ALL APPLICABLE
 FEDERAL MOTORVEHICLE STANDARDS IN THE
 PRE-DATE OF MANUFACTURE (SHOWN ABOVE)
 GAECKS00001

PAPER LABEL

P-7691



BUY IT NOW!

Click Here To Order



1973/79 ALPHABETICAL INDEX CHASSIS PARTS 1
LINCOLN—MERCURY CARS

INDEX

PART NAME	GROUP NUMBER	PART NAME	GROUP NUMBER
△ Refer to Page 1 of Paint Section			
A		A — Cont'd	
Absorber (body bolt upper)	5B098	Adapter assy. (power steering tube)	3N668
Absorber (front fender to cowl side sound)	16071-2	Adapter kit (brake tube conn. booster)	2L187
Accelerator assy.	9725	Adapter kit (speed control)	9A819
Accumulator hose assy. (A/C refrigerant line)	19C836	Adhesives	△
Actuator (backup lamp switch)	15540	Adjuster (headlamp cover)	13C023
Actuator (carb. feedback control)	9C908	Adjuster (parking brake cable rear)	2K390
Actuator (courtesy lamp switch)	13A786	Adjuster (P/S control valve spool)	3B700
Actuator kit (turbocharger)	9G488	Adjuster (rear axle differential bearing)	4067
Actuator (luggage compt. door open warning switch)	10C873	Adjuster (speed control connector)	9C876
Actuator (P/S gear valve)	3812	Adjuster (steering gear worm thrust bearing)	3A670
Actuator (seat belt & ignition warning)	14A554	Adjuster assy. (parking brake cable rear)	2B599
Actuator (steering column lock lever)	3E715	Air conditioner kits	19B968
Actuator (trans. shift selector indicator)	7E123	Air conditioner refrigerant	△
Actuator assy. (brake skid control)	2B002	Alternator (mounting brackets)	10A313
Actuator assy. (horn warning)	13A927	Alternator (regulator mounting kit)	10A596
Actuator Assy. (illuminated entry)	13C718	Alternator assy.	10346
Actuator assy. (P/brake release switch)	2B624	Ambient switch (A/C cut-off)	19618
Actuator assy. (speed control)	9AB25	Ammeter (instrument cluster)	10850
Actuator assy. (steering column lock)	3E723	Amplifier assy. (A.T.C. control box)	19D612
Actuator kit (P/S control valve)	3783	Amplifier assy. (EGR vacuum)	9E451
Adapter (A/C evaporator air)	19C800	Amplifier assy. (light sensor)	13A018
Adapter (A/C refrigerant line)	19D695	Amplifier assy. (speed control)	9D843
Adapter (A.T.C. evaporator air)	19C800	Anchor (wheel ornament screw)	1A100
Adapter (air by-pass valve)	9H314	Antenna kit (radio)	18813
Adapter (brake master cylinder mounting)	2B286	Anti-squeak (rear spring)	5586
Adapter (carb. A/cleaner inlet hose)	9E606	Anti-theft kit (car alarm)	19L514
Adapter (carb. A/cleaner to intake tube)	9D608	Applique (wheel cover)	1137
Adapter (carb. choke control tube)	9C786	Apron (front fender)	16054-5
Adapter (connection vacuum hose brake booster)	2B276	Armature (starter motor)	11005
Adapter (distributor base)	12A217	Armature (windshield wiper motor)	17A485
Adapter (eng. crankshaft to converter)	6381	Arm (eng. valve rocker)	6564
Adapter (exhaust gas recirculating valve)	9P753	Arm (exhaust air supply pump belt adjustment)	9B452
Adapter (exhaust air supply pump)	9G470	Arm (front bumper inner)	17766-7
Adapter (front suspension lower arm)	3375-6	Arm (front bumper isolator)	17754-5
Adapter (fuel vapor purge tube to air cleaner)	9D692	Arm (front spindle)	3130-1
Adapter (heater temperature control valve)	18K306	Arm (rear bumper inner)	17787-8
Adapter (heater windshield defroster outlet)	18A527	Arm (rear bumper outer)	17795-6
Adapter (intake manifold to deceleration valve)	9K495	Arm (steering gear sector shaft)	3590
Adapter (manifold inlet vacuum pipe to distributor)	9K442	Arm (trans. control selector)	7346
Adapter (oil pressure gauge to cylinder block)	9D295	Arm (windshield wiper motor output)	17A436
Adapter (power brake booster mounting)	2L248	Arm (windshield wiper mounting)	17540
Adapter (P/S pump outlet)	3E598	Arm (windshield wiper pivot)	17526-7
Adapter (rear axle shaft)	4A404-5	Arm assy. (carb. metering rod)	9D819
Adapter (speed control vac. valve actuator)	9C962	Arm assy. (front suspension lower)	3078-9
Adapter (seat belt interlock)	14K690	Arm assy. (front suspension upper)	3082
Adapter (thermostatic choke control inlet tube)	9C786	Arm assy. (fuel pump rocker)	9376
Adapter (tire inflation)	1705	Arm assy. (rear suspension lower)	5A649
Adapter (trans. rear pump)	7K220	Arm assy. (trans. gearshift selector)	7302-3
Adapter (windshield washer hose)	17A612	Arm & bracket assy. (steering idler)	3355
Adapter assy. (A/C evaporator to plenum chamber)	19D740	Arm & bushing assy. (rear suspension upper)	5500
Adapter assy. (alternator regulator)	10N300	Arm & pivot shaft (windshield wiper mounting)	17566-7
Adapter assy. (eng. crankcase vent)	6A665	Arm & support (trans. selector lever)	7302
Adapter assy. (eng. oil filter)	6881	Arm kit (rear suspension)	5A826
Adapter assy. (heater outlet duct)	18C387	Automatic headlamp dimmer kit	13A016



BUY IT NOW!

Click Here To Order



INDEX

PART NAME	GROUP NUMBER	PART NAME	GROUP NUMBER
△ Refer to Page 1 of Paint Section			
A — Cont'd		B — Cont'd	
Axle assy. (rear)	4001, 4005-6	Bearing (coupling shaft)	4840
		Bearing (driveshaft roller spline)	4789
		Bearing (eng. auxiliary drive shaft front)	6A753
		Bearing (eng. auxiliary drive shaft rear)	6A738
		Bearing (eng. camshaft)	6261-3, 6267, 6270
		Bearing (eng. connecting rod)	6211
		Bearing (eng. crankshaft main)	6333-7
		Bearing (headlamp adjusting ring)	13B160
		Bearing (P/S gear input shaft)	3D525
		Bearing (P/S gear valve cover)	3K771
		Bearing (rear axle driving pinion pilot)	4625
		Bearing (rear wheel)	1225
		Bearing (starter brush end plate)	11052
		Bearing (starter motor drive end housing)	11135
		Bearing (steering column tube)	7347
		Bearing (steering gear rack adjustment)	3F515
		Bearing (steering gear worm thrust)	3571
		Bearing (trans. control selector tube)	7347
		Bearing (trans. gearshift tube)	7347
		Bearing (trans. input & output shaft)	7025, 7065
		Bearing (trans. main drive)	7025
		Bearing (trans. main shaft pilot)	7120
		Bearing (trans. rear clutch sun gear front)	7D480
		Bearing (trans. rear servo lever needle)	7-7406
		Bearing (trans. shift bellcrank)	7C327
		Bearing (trans. sun gear thrust)	7D234
		Bearing (windshield wiper arm)	17573
		Bearing assy. (belt idler pulley)	10094
		Bearing assy. (P/S gear pinion)	3K769
		Bearing assy. (steering column tube)	3517
		Bearing assy. (trans. rear clutch brake drum & sun gear front)	7D480
		Bearing & retainer kit (rear disc brake)	2B598
		Bearing kit (eng. camshaft)	6A251
		Bearing kit (P/S gear thrust)	3D729-30
		Bellcrank (trans. accelerator)	7A185
		Bellcrank (trans. column shift selector)	7A185
		Belt (drive)	8620
		Belt (eng. timing)	6268
		Bender (heater hose 90°)	18573
		Bezel (cigar lighter illumination)	15K040
		Bezel (clock)	15010
		Bezel (front or rear side lamp)	15A440
		Bezel (headlamp)	13048
		Bezel (heater switch)	18598
		Bezel (ignition switch)	11584
		Bezel (instrument cluster)	10876
		Bezel (instrument cluster control)	10852
		Bezel (parking brake release)	2A832
		Bezel (parking lamp)	13210



BUY IT NOW!

Click Here To Order



INDEX

PART NAME	GROUP NUMBER	PART NAME	GROUP NUMBER
△ Refer to Page 1 of Paint Section			
B — Cont'd		B — Cont'd	
Bezel (radio control)	18842	Bolt (rear axle differential case)	4216
Bezel (radio speaker fader control)	18A842	Bolt (rear axle differential cover to housing)	4347
Bezel (rear reflector)	13A570	Bolt (rear brake backing plate)	2248
Bezel (rear view outside mirror control)	17530	Bolt (spare wheel mounting)	1448
Bezel (rear window regulator control switch)	14A122	Bolt (starter thru)	11091
Bezel (seat regulator control switch)	14B690, 14A706	Bolt (steering column tube flange)	3641
Bezel (selector switch)	9A389	Bolt (trans. kickdown shaft retaining)	7C310
Bezel (trans. console selector dial)	7D443	Bolt (trans. overrunning clutch to case)	7D167
Bezel (trans. gearshift lever boot)	7E391	Bolt (trans. planetary gears support to case)	7A291
Bezel Assy. (exterior pillar lamp)	15B438	Bolt (trans. rear servo body to case)	7D477
Bezel Assy. (reading lamp)	13C733	Bolt (wheel hub)	1107
Bezel & lens (warning indicator panel lamp)	10C876	Bolt Assy. (eng. tensioner)	6E008
Bezel & lens Assy. (trans. column shift selector)	7E055	Bolt Assy. (radiator coolant recovery reservoir)	8C102
Bezel kit (A/C)	19C872	Bolt & washer (eng. oil pump attaching)	6638
Blade Assy. (windshield wiper)	17528	Bolt kit (alternator thru)	10A396
Block (A/C refrigerant line)	19D695	Booster adapter kit (hydro booster)	2L187
Block (headlamp switch junction)	11A647	Booster Assy. (power brake)	2005
Block (junction)	14448	Booster installation kit (power brake)	2A091
Block Assy. (eng. cylinder)	6010	Boot (brake cylinder)	2206-7
Board Assy. (alternator circuit)	10B301	Boot (brake master cylinder)	2180
Board kit (alternator printed circuit)	10B301	Boot (brake pressure metering valve push rod)	2B445
Body (A/C charging valve)	19D878	Boot (courtesy lamp switch)	13A759
Body (rear lamp)	13440	Boot (parking brake lever)	2A713
Body (trans. front band servo)	7A094	Boot (P/S cylinder)	3C528
Body (trans. governor)	7C063	Boot (steering column tube)	3C611
Body (trans. governor oil collector)	7D220	Boot (trans. floor mounted gearshift control linkage lower)	7E138
Body (trans. rear band servo)	7B172	Boot (trans. gearshift lever)	7277
Body Assy. (front fender side lamp)	15A426	Boot (wiring connector sleeve)	14490
Body Assy. (trans. governor)	7C063	Boot & insulator kit (P/S cylinder)	3C651
Body & socket Assy. (interior lamp)	13786	Boss rad. drain cock	8120
Bolt (A/C compressor idler pulley mounting)	2A934	Bowl (fuel pump filter)	9355
Bolt (alternator thru)	10A396	Bowl & plug (carb. float)	9A507
Bolt (battery cable)	10B659	Box Assy. (A.T.C.)	19C730
Bolt (differential carrier to rear axle housing)	4347	Brace (A/C compressor)	2888-9
Bolt (driveshaft universal joint)	4529	Brace (front bumper stop)	17D854-5
Bolt (eng. connecting rod)	6214	Brace (front end stabilizer)	16B066-7
Bolt (eng. crankshaft main bearing cap)	6345	Brace (front fender apron to dash)	16A052-3
Bolt (eng. crankshaft pulley)	6A340	Brace (front fender to apron & radiator support)	16A023-4
Bolt (eng. cylinder head)	6065	Brace (front fender to frame)	16B134-5
Bolt (eng. flywheel to crankshaft)	6379	Brace (front fender to radiator support)	16B132-3
Bolt (eng. front support insulator)	6047	Brace (headlamp housing)	13B123
Bolt (eng. oil filter adapter mounting)	6894	Brace (hood latch support)	16747
Bolt (eng. timing belt tensioner)	6K282	Brace (radiator grille opening panel)	8B057
Bolt (eng. valve rocker arm shaft support)	6A527	Brace (rear bumper end)	17789
Bolt (eng. valve rocker arm support)	6A527	Brace (rear spring seat)	5A860
Bolt (exhaust air supply tube)	9C481	Brace (trans. case to eng. block)	7E234-5
Bolt (front coil spring top mounting plate)	3B197	Brace Assy. (radiator support)	8B247
Bolt (front suspension lower arm strut)	3B267	Bracket (accelerator shaft)	9728
Bolt (fuel tank shield)	9A010	Bracket (accelerator shaft to dash)	9A762
Bolt (fuel tank strap)	9A010	Bracket (A/C air damper door motor mounting)	18C607
Bolt (fuse panel junction)	14A187	Bracket (A/C blower housing)	18C336
Bolt (P/S control valve spool)	3-3698	Bracket (A/C compressor adjusting)	2883



BUY IT NOW!

Click Here To Order



ALPHABETICAL INDEX CHASSIS PARTS 1973/79
LINCOLN-MERCURY CARS

INDEX

PART NAME	GROUP NUMBER	PART NAME	GROUP NUMBER
△ Refer to Page 1 of Paint Section			
B — Cont'd		B — Cont'd	
Bracket (A/C compressor mounting)	2882	Bracket (exh. air supply control valve)	9G426
Bracket (A/C control motor mounting)	18A699	Bracket (exhaust air supply pump)	9B450
Bracket (A/C evaporator case mounting)	18A456	Bracket (exhaust air supply tube)	9B481
Bracket (A/C evaporator case support)	19A639	Bracket (frame stabilizer rod)	5C027
Bracket (A/C evaporator tube support)	19B589	Bracket (front brake hose support)	2082
Bracket (A/C hose support)	19812	Bracket (front bumper end)	17A820-1
Bracket (A/C instrument panel)	19C820	Bracket (front bumper isolator)	17C886-7
Bracket (A/C outlet tube)	19D721	Bracket (front bumper stone deflector mounting)	17A986
Bracket (A/C register temp. switch mounting)	19A949	Bracket (front bumper stop)	17K754-5
Bracket (air by-pass valve-thermactor)	9B290	Bracket (front bumper towing)	17C903
Bracket (air cleaner intake tube)	9C685	Bracket (front fender apron rear mounting)	16B204
Bracket (air temperature control mounting)	18B542	Bracket (front fender apron to dash)	16296-7
Bracket (antenna mounting)	18939	Bracket (front fender apron to frame)	16A200
Bracket (anti-backfire valve)	9B290	Bracket (front fender extension to radiator support)	16C048
Bracket (A.T.C. sensor)	19D668	Bracket (front fender mounting rear)	16C078
Bracket (A.T.C. vacuum solenoid valve)	19D732	Bracket (front fender to cowl top)	16094-5
Bracket (automatic air leveler reservoir)	5A848	Bracket (front fender to pillar)	16A005-6
Bracket (automatic air leveler valve mounting)	5A688	Bracket (front suspension bumper)	3382-3
Bracket (belt idler pulley)	8680	Bracket (fuel line support)	9A317, 9D319, 9B303
Bracket (brake pressure differential valve)	2B260		
Bracket (brake skid control actuator mounting)	2B371	Bracket (full tank shield support)	9B224
Bracket (brake skid control module)	2B389	Bracket (fuel tank vent tube shield lower)	9B027
Bracket (brake tube support)	2K206	Bracket (fuel tank vent tube shield upper)	9B026
Bracket (brake tube support-frt.)	2A275	Bracket (fuel tank support)	9A004
Bracket (C.B. radio mike retaining)	18B813	Bracket (fuel vapor return tube)	9H309
Bracket (C.B. radio antenna network)	18B817	Bracket (headlamp dimmer control)	13655, 13732
Bracket (carb. air by-pass valve)	9B290	Bracket (headlamp housing mounting outer)	13A091-2, 13A114
Bracket (carb. air cleaner support)	9A627		
Bracket (carb. altitude lever assy.)	9595	Bracket (headlamp switch)	11A668
Bracket (carb. cooling mtr. mounting)	9F617	Bracket (heater core support)	18K264
Bracket (carb. dashpot mounting)	9B550	Bracket (C.B. heater def. door control)	18A343
Bracket (carb. float bowl vent)	9E520	Bracket (heater mounting)	18A457
Bracket (carb. throttle emission control solenoid)	9J586	Bracket (heater air damper door control)	18A272
Bracket (carb throttle positioner)	9S555	Bracket (heater control mounting)	18531
Bracket (central mounting)	18B652	Bracket (heater hose connector support)	18D253
Bracket (clock mounting)	15017	Bracket (heater hose support)	18481
Bracket (clutch pedal lever assist spring)	7535	Bracket (heater water control valve mounting)	18A635
Bracket (clutch release lever)	7522	Bracket (horn mounting)	13828
Bracket (coupling shaft support)	4831	Bracket (horn warning actuator)	13A928
Bracket (courtesy lamp)	13763	Bracket (illuminated entry actuator)	13C721
Bracket (courtesy lamp switch)	13B756	Bracket (instrument cluster mounting)	10845
Bracket (distributor vacuum valve)	12A196	Bracket (instrument panel control)	10C935
Bracket (driveshaft u/joint shield)	4A410	Bracket (instrument panel wiring)	14536
Bracket (EGR vacuum amplifier)	9E452	Bracket (jack hold down)	17A056-9
Bracket (EGR recirculating cooler mounting)	9F465	Bracket (jack storage)	17A040
Bracket (eng. crankcase vent valve hose clip)	6788	Bracket (license plate mounting)	17A385
Bracket (eng. cylinder block to converter housing)	6K040	Bracket (light sensor amplifier mounting)	13C016
Bracket (eng. electronic processor assy.)	12A659	Bracket (light sensor mounting)	13A021
Bracket (eng. front support)	6028-31	Bracket (low fuel level warning switch)	9H302
Bracket (eng. oil cooler water hose)	6B633, 6B871	Bracket (oil level indicator tube)	6786
Bracket (eng. oil level indicator tube)	6853	Bracket (parking brake cable)	2530
Bracket (eng. rear support)	6096	Bracket (parking brake cable guide)	2B622
Bracket (eng. timing pointer mounting)	6M026		



BUY IT NOW!

Click Here To Order



1973/79
LINCOLN—MERCURY CARS

ALPHABETICAL INDEX CHASSIS PARTS

5

INDEX

PART NAME	GROUP NUMBER	PART NAME	GROUP NUMBER
△ Refer to Page 1 of Paint Section			
B — Cont'd		B — Cont'd	
Bracket (parking brake cable guide)	2A664	Bracket (starting motor relay mounting)	11509
Bracket (parking brake cable pulley mounting)	2K744	Bracket (steering column support)	3B139
Bracket (parking brake cable support)	2649	Bracket (steering column to instrument panel)	3676-8
Bracket (parking brake control mounting)	2795	Bracket (steering gear rack & pinion mounting)	5486
Bracket (parking brake equalizer)	2631	Bracket (thermactor pump to adjustment arm)	9B452
Bracket (parking brake lever)	2A686	Bracket (throttle control mounting)	9677
Bracket (parking lamp)	13A364	Bracket (throttle modulator mounting)	9E730
Bracket (parking lamp mounting)	13256	Bracket (top control switch mounting)	15676
Bracket (power brake booster mounting)	2031, 2L070	Bracket (trans. backup lamp switch)	7L028
Bracket (P/S cylinder mounting)	3A652	Bracket (trans. column shift selector bellcrank mounting)	7C431
Bracket (P/S hose)	3C510	Bracket (trans. control cable)	7B229
Bracket (P/S hose filter support)	3F619	Bracket (trans. gearshift tube)	7317
Bracket (P/S hose insulator)	3A611	Bracket (trans. oil cooler)	7B142,
Bracket (P/S pump adjusting)	3A732	Hinge assy. (rad. grille)	8C039
Bracket (P/S pump pressure and return tube)	3E596		7F144
Bracket (P/S pump support)	3562	Bracket (trans. retracting spring)	7E112
Bracket (radiator coolant recovery reservoir)	8A082	Bracket (trans. selector cable)	7B229
Bracket (radiator grille mounting center)	8174	Bracket (turbocharger heat shield)	9G479
Bracket (radiator grille opening panel)	8B455	Bracket (turn indicator flasher mounting)	13351
Bracket (radiator grille outer)	8A153-4	Bracket (vanity mirror mounting)	17A692
Bracket (radiator support lower)	8052	Bracket (windshield defroster nozzle mounting)	18A348
Bracket (radiator support upper)	8A193	Bracket (windshield washer reservoir mounting)	17651
Bracket (radio antenna C.B.)	18946	Bracket (windshield wiper control mounting)	17C443
Bracket (rear axle bumper)	4731	Bracket (windshield wiper motor mounting)	17496
Bracket (rear axle drive pinion bearing retainer)	4298	Bracket (wiring shield)	14A217
Bracket (rear bumper adjustment)	17C776	Bracket assy. (A/C clamp)	19D738
Bracket (rear bumper center reinforcement)	17C853	Bracket assy. (A/C evaporator case support)	19A804
Bracket (rear bumper inner arm mounting)	17A750-1	Bracket assy. (automatic air leveler compressor)	5A694
Bracket (rear bumper jacking)	17236	Bracket assy. (baro. & manifold press. sensor)	12A698
Bracket (rear bumper stop)	17B965	Bracket assy. (brake pressure red valve)	2L416
Bracket (rear lamp mounting)	13A418, 13471	Bracket assy. (C.B. radio speaker relay mounting)	18B824
	13406	Bracket assy. (C.B. microphone cable mounting)	18B819
Bracket (rear license plate)	13423	Bracket assy. (carb. air control)	9B971
Bracket (rear license lamp)	18192	Bracket assy. (distributor vacuum control valve)	12A195
Bracket (rear shock absorber upper)	5661	Bracket assy. (front bumper jacking)	17B839
Bracket (rear stabilizer link to cross member)	17698	Bracket assy. (front shock)	18A017
Bracket (rear view inside mirror)	17B715	Bracket assy. (fuel indicator)	9H302
Bracket (rear view outside mirror)	18C497	Bracket assy. (fuel tank rear support)	9046
Bracket (rear window defogger switch mounting)	14A575	Bracket assy. (fuel vapor separator)	9G294
Bracket (seat belt warning system actuator)	14B691, 14A705	Bracket assy. (headlamp adjusting nut)	13021
Bracket (seat regulator control mounting)	15B692	Bracket assy. (headlamp cover solenoid)	13C022
Bracket (sliding roof panel switch)	9E747	Bracket assy. (heater core mounting upper)	18D285
Bracket (spark control switch housing)	9D845	Bracket assy. (heater vent control mounting)	18C587
Bracket (speed control amplifier mounting)	9C736	Bracket assy. (light switch)	11A678
Bracket (speed control servo)	9C961	Bracket assy. (radiator support extension to apron)	16B028-9
Bracket (speed control vac valve mtg.)	9E719	Bracket assy. (relay mounting)	14A301
Bracket (speed sensor mounting)	5486	Bracket assy. (speed control)	9C787
Bracket (stabilizer bar)	3077	Bracket assy. (speed control actuator mounting)	9D805
Bracket (stabilizer link lower arm)	11K167	Bracket assy. (starter motor)	11K008
Bracket (starter motor drive return stop)	11140	Bracket assy. (throttle control)	9764
Bracket (starter motor housing)		Bracket assy. (trailer hitch crossmember)	19A300-1
		Bracket assy. (wiring)	14A004
		Bracket & cable (trans. control selector)	7E363

COPYRIGHT © 1986 — FORD MOTOR — DEARBORN, MICHIGAN
COMPANY

New Issue

100% SATISFACTION GUARANTEED

BUY IT NOW!

Click Here To Order

PayPal, Discover, MasterCard, VISA

INDEX

PART NAME	GROUP NUMBER	PART NAME	GROUP NUMBER
△ Refer to Page 1 of Paint Section			
B — Cont'd		B — Cont'd	
Bracket & clamp kit (EGR cooler)	9F465	Bushing (headlamp cover shaft)	13B104
Bracket & insulator kit (muffler outlet pipe)	5260	Bushing (P/S control valve spool)	3A519
Bracket kit (EGR tube)	9L456	Bushing (rear spring)	5781
Bracket (radio foot control switch)	18B857	Bushing (rear stabilizer bar mounting)	5B486
Bracket & strap assy. (fuel vapor storage canister)	9D664	Bushing (rear suspension arm-upper)	1A402
Bracket repair kit (front stabilizer bar)	5486	Bushing (reclining seat pivot shaft)	3D581
Breaker assy. (circuit)	14526	Bushing (spare wheel carrier)	1A402
Brake shield ext. kit (front)	2C126	Bushing (speedo. cable to driven gear)	17269
Brush assy. (speed control)	9C899	Bushing (starter motor brush end plate)	11052
Brush assy. (starter motor)	11056	Bushing (starter motor drive end housing)	11135
Brush & holder (A/C compressor clutch)	2979	Bushing (starter motor drive housing)	11395
Brush & terminal assy. (windshield wiper motor)	17B566	Bushing (steering gear housing sector shaft)	3576
Brush & terminal set (alternator)	10347	Bushing (steering idler arm)	3356-8
Brush kit (starter motor)	11057	Bushing (trans. case)	7025
Brush set (alternator)	10347	Bushing (trans. console shift selector shaft)	7A133
Bulb (headlamp)	13007	Bushing (trans. control selector arm)	7343
Bulbs (miniature)	13466	Bushing (trans. converter stator support)	7B261
Bumper (brake pedal)	7583	Bushing (trans. extension housing)	7A034
Bumper (clutch pedal)	7583	Bushing (trans. forward clutch hub)	7E059
Bumper (front)	17756-7	Bushing (trans. front oil pump)	7B258
Bumper (front suspension)	3019-20	Bushing (trans. front oil pump drive gear)	7B259
Bumper (headlamp cover hanger)	13B067	Bushing (trans. front pump support)	7D018, 7B261
Bumper (hood)	16758, 16763	Bushing (trans. gearshift cable adjusting)	7A438
Bumper (license plate)	17A396	Bushing (trans. gearshift lever)	7K022
Bumper (rear)	17906-7	Bushing (trans. gearshift lever socket)	7335
Bumper (rear axle)	4730, 5783	Bushing (trans. inner brake drum)	7D046
Bumper (steering column tube upper flange)	3D656	Bushing (trans. input shaft)	7120
Bus bar (accessory feed)	14A033	Bushing (trans. kickdown lever & control rod)	7C484
Bushing (accelerator pedal hinge)	9873	Bushing (trans. planetary gear drum support) flange inner)	7B257
Bushing (accelerator pedal lever pivot)	9C805	Bushing (trans. planetary gear drum support flange outer)	7B256
Bushing (alternator adjustment)	10K350	Bushing (trans. planetary gear support)	7A132
Bushing (brake master cylinder push rod)	2474	Bushing (trans. rear oil pump body)	7B260
Bushing (brake pedal)	2471	Bushing (trans. reverse brake drum)	7D001
Bushing (carb. choke housing)	9851	Bushing (trans. sun gear)	7D065
Bushing (carb. choke shaft spring)	9851	Bushing (turn indicator control)	13B301
Bushing (carb. fast idle adjustment lever)	9L588	Bushing (windshield wiper arm or link retain)	17A543
Bushing (carb. throttle shaft)	9B508	Bushing kit (P/S cylinder mounting rod end)	3C590
Bushing (carb. venturi valve)	9B914	Bushing & link assy. (front suspension lower arm)	3B349
Bushing (carb. venturi valve limiter)	9B913	Bushing & mounting kit (front suspension lower arm)	3048
Bushing (clutch housing cable guide)	7K647	Bushing & washer kit (front suspension lower arm strut)	3A187
Bushing (clutch pedal)	2471	Bushing repair kit (front shock absorber)	18198
Bushing (clutch pedal clevis)	7B605	Bushing repair kit (rear shock absorber)	18198
Bushing (clutch release idler lever)	7526	Button (front bumper guard impact)	17D681
Bushing (cylinder block repair) distributor	12120	Button (instrument cluster clock stem opening plug)	10C864
Bushing (eng. aux. driveshaft)	6A875	Button assy. (trans. console shift selector lever release)	7C488
Bushing (eng. oil filter)	6890	Button assy. (window regulator control switch)	14530
Bushing (eng. valve guide)	6510	Buzzer assy. (exterior lamp warning)	13150
Bushing (front spring lower seat)	5A305		
Bushing (front suspension lower arm mounting bolt)	3069		
Bushing (front suspension upper arm inner shaft)	3068		
Bushing (headlamp cover hinge)	13A164		



BUY IT NOW!

Click Here To Order



1973/79
LINCOLN—MERCURY CARS

ALPHABETICAL INDEX CHASSIS PARTS

7

INDEX

PART NAME	GROUP NUMBER	PART NAME	GROUP NUMBER
△ Refer to Page 1 of Paint Section			
C		C — Cont'd	
Cable (battery)	14300-1	Cap (wheel hub)	1130
Cable (brake shoe adjusting lever)	2A178, 2B567	Cap (wheel nut)	1011
Cable (clutch release)	7K553	Cap assy. (brake master cylinder filler)	2162
Cable (dash panel to ground)	14303	Cap assy. (eng. oil filler & breather)	6766
Cable (hood latch control)	16916	Cap assy. (fuel tank filler)	9030
Cable (parking brake intermediate)	2A815	Cap assy. (P/S pump oil reservoir filler)	3A006
Cable (radio antenna lead-in)	18812	Cap kit (P/S control valve spool centering spring)	3C705
Cable kit (speedometer speed control)	9A820	Capacitor (radio)	18827
Cable (trans. console shift selector linkage)	7D246	Capacitor (radio voltage regulator)	18832
Cable (trans. control valve)	7A187	Carburetor assy.	9510
Cable (trans. kickdown control)	7A187	Carrier (spare wheel)	1A432
Cable (trans. selector linkage control)	7A477	Carrier assy. (rear axle differential)	4141
Cable (trans. shift)	7E395	Cartridge kit (stereo tape)	18816
Cable assy. (accelerator pedal to carb. throttle)	9A758	Case (A/C evaporator lower)	19C831
Cable assy. (battery universal type)	14300	Case (trans.)	7005
Cable assy. (heater temperature)	18518	Case assy. (A/C evaporator upper)	19C974
Cable assy. (relay to starter)	14431	Case assy. (heater core)	18508, 18A542-3
Cable assy. (speedo)	17260	Case assy. (plenum chamber)	18A484
Cable & conduit (parking brake front)	2853	Case assy. (rear axle differential)	4204
Cable & conduit (parking brake rear)	2A635	Case assy. (trans.)	7005
Cable & modulator assy. (speed control)	9A820	Chain (eng. timing)	6268
Calibrator assy. (eng. electronic cont.)	12A649	Chamber (headlamp dimmer sensor)	13B182
Caliper assy. (front disc brake)	2B120-1	Chamber assy. (heater air plenum)	18471
Caliper assy. (rear disc brake)	2552-3	Chamber & bracket assy. (carb. air cleaner resonance)	9E805
Cam (rear suspension arm adjusting)	5A637, 5K751	Chassis (radio receiver)	18806
Cam (trans. control valve)	7D261	Chime assy. (seat belt warning)	10D840
Cam (turn indicator turn-off)	13318	Circuit assy. (instrument cluster printed)	10K843
Cam assy. (carb. fast idle)	9597	Clamp (A/C hose)	19B679
Cam kit (carb. fast idle)	9597	Clamp (A/C refrigerant line)	19B679
Cam kit (rear suspension lower arm)	5K751	Clamp (alternator cable connector)	10K343
Camshaft (eng.)	6250	Clamp (body side lamp)	15A210
Canister assy. (fuel vapor storage)	9D653	Clamp (carb. altitude cable)	9792
Cap (battery)	10720	Clamp (carb. thermostatic choke housing)	9842
Cap (carb. accelerator pump plunger)	9635	Clamp (carb. thermostatic choke housing locking)	9842
Cap (eng. valve stem exhaust)	6550	Clamp (exhaust air supply tube)	9D436
Cap (front hub grease)	1131	Clamp (EGR cooler tube-inlet)	9F488
Cap (fuel tank sender outlet tube)	9G270	Clamp (EGR cooler tube-outlet)	9F481
Cap (fuel vapor storage canister)	9E602	Clamp (front wheel spindle connecting rod)	3287
Cap (headlamp dimmer foot switch)	13533	Clamp (heater door lever)	18K254
Cap (heater inlet hose connector blanking)	8K174	Clamp (hose)	8287, 9171
Cap (P/S control valve spool centering spring)	3C705	Clamp (hot water heater hose)	18572
Cap (P/S cylinder piston)	3D530	Clamp (jack hold down)	17091
Cap (P/S gear cylinder)	3A745	Clamp (P/S control valve dust cover)	3A728
Cap (radiator)	8100	Clamp (P/S control valve ball stud sleeve)	3-3739
Cap (radiator overflow container)	8K103	Clamp (P/S cylinder piston rod boot)	3C755
Cap (rear bumper end)	17810	Clamp (P/S hose)	3C746
Cap (rear window wiper blade end)	17A402	Clamp (P/S return line)	2344
Cap (steering column position lock spring)	3E518	Clamp (radio frequency interference suppression band)	18954
Cap (steering gear boot clip)	3K722	Clamp (rear spring)	5724
Cap (trans. selector handle)	7220		
Cap (universal joint knuckle dust)	4710		
Cap (vacuum outlet manifold)	9C492		



BUY IT NOW!

Click Here To Order



COPYRIGHT © 1986 — FORD MOTOR — DEARBORN, MICHIGAN
 COMPANY

New Issue

INDEX

PART NAME	GROUP NUMBER	PART NAME	GROUP NUMBER
△ Refer to Page 1 of Paint Section			
C — Cont'd		C — Cont'd	
Clamp (spare wheel)	1446	Clip (steering column shroud)	3K712
Clamp (speed control engagement switch)	9C892	Clip (trans. control selector indicator lamp)	15A807
Clamp (stabilizer bar)	5C489	Clip (trans. dual area diaphragm retainer)	7F006
Clamp (steering column)	3506	Clip (trans. gearshift rod retainer)	7354
Clamp (steering column to instrument panel)	3668	Clip (trans. oil screen retaining)	7A097
Clamp (steering gear ball return guide)	3544	Clip (trans. oil screen support)	7A097
Clamp (steering gear boot)	3C650	Clip (trans. oil tube)	7C008
Clamp (trans. seat belt warning sensor switch)	7E460	Clip (trans. vacuum diaphragm)	7F006
Clamp assy. (A/C valve)	19D737	Clip (trans. vacuum tube)	7C072
Clamp assy. (blower housing)	19D815	Clip (trans. vacuum tube retaining)	7B085
Clamp assy. (muffler inlet & outlet pipe yoke type)	5A231	Clip (tube retention back pressure transducer)	9G477
Clamp assy. (steering column)	3507	Clip (turn indicator cover)	13377
Clamp & insulator (frame no. 3 cross member)	5C021	Clip (vent air valve damper door stop)	18B409
Clamp kit (rear spring)	5724	Clip (window regulator housing retainer)	14570
Cleaner assy. (carb. air)	9600	Clip (window regulator switch retaining)	14559
Cleaners	△	Clip (windshield defroster nozzle)	18C594
Clear vision aids	△	Clip (windshield wiper adapter & connector arm)	17531
Clevis & cable (parking brake front)	2857	Clip (wiring)	14197, 15B424
Clip (air leveler hose)	5A668	Clock assy. (electric)	15000
Clip (brake hose)	2814	Clock kit (electric)	15A000
Clip (brake line)	2244	Clutch assy. (trans. planetary gears)	7A089
Clip (brake line to rear axle)	2251	Clutch & pulley (A/C compressor)	2884
Clip (brake shoe locating—inner)	2C098	Clutch kit (trans. overrunning)	7A089
Clip (cable hood latch control)	16907	Clutch plate kit (trans. front)	7B164
Clip (carb. accelerator pump link rod)	9825	Clutch plate kit (trans. rear)	7C224
Clip (clutch pedal to clutch release cable)	7L529	Coil (starter motor field)	11082-5
Clip (clutch release pin retaining)	7K593	Collar (starter motor drive ring)	11223
Clip (distributor spring retaining)	12A187	Collar (trans. parking pawl lever)	7C168
Clip (eng. follower arm spring retaining)	6K532	Compensator assy. (carb. hot idle)	9B532, 9E890
Clip (exhaust gas recirculation tube)	9D459	Compensator assy. (carb. altitude)	9A950
Clip (front bumper stone deflector)	17D817	Compressor (air horn vacuum)	13801
Clip (front disc brake shoe anti-rattle)	2B164	Compressor housing kit (turbocharger)	9G485
Clip (front disc brake shoe hold down spring)	2066	Compressor & bracket assy. (automatic air leveler)	5A713
Clip (fuel pipe to eng. cover)	9A317	Compressor kit (A/C)	19703
Clip (front disc brake shoe anti-rattle)	2B164	Compressor kit (automatic air leveler)	5A713
Clip (headlamp bezel retaining)	13067	Compressor repair kit (automatic air leveler)	5A773
Clip (hood latch control cable)	16877	Condenser (radio suppression)	18827
Clip (hood latch spring)	16926	Condenser kit (A/C)	19708
Clip (hood support rod retaining)	16828	Cone, roller & cup (rear axle differential bearing)	4221-2
Clip (map lamp)	13767	Cone & roller (front wheel bearing inner)	1201
Clip (oil pipe)	9792	Cone & roller (front wheel bearing outer)	1216
Clip (parking brake cable)	2814, 2860	Connection (defroster air hose)	18A449
Clip (P/S hose retaining)	3E506	Connection (eng. water inlet to block)	6178
Clip (P/S pressure & return tube)	3E506	Connection hose (carb.)	9522
Clip (rear lamp door retainer)	13A424	Connector (accelerator shaft to speed control shaft)	9B705
Clip (rod end clevis)	9825-6	Connector (automatic air leveler tube)	5A689
Clip (seat belt warning system wire)	14A169	Connector (brake tube)	2074
Clip (seat regulator switch retaining)	14559	Connector (carb. air cleaner to thermostatic choke control inlet tube)	9C704
Clip (speed control vacuum valve)	9C966	Connector (carb. secondary diaphragm control)	9S569
Clip (speedo. cable)	17264	Connector (choke control inlet)	9C708
Clip (speed control cable retaining)	9D726		
Clip (speedo. drive gear retaining)	17B336		
Clip (starter cable)	14550		
Clip (steering column shaft)	3E629		



BUY IT NOW!

Click Here To Order



INDEX

PART NAME	GROUP NUMBER	PART NAME	GROUP NUMBER
△ Refer to Page 1 of Paint Section			
C — Cont'd		C — Cont'd	
Connector (distributor vacuum)	12224	Cover (brake pedal pad)	2A231, 2A487
Connector (eng. to trans. vacuum tube)	7B087	Cover (brake pressure differential valve)	2K751
Connector (exhaust gas recirculation valve)	9P784	Cover (carb. choke control diaphragm)	9J554
Connector (exh. manifold tube)	9D439	Cover (carb. compensator hot idle valve)	9F594
Connector (fuel return to tank)	9N035	Cover (carb. diaphragm)	9B580
Connector (headlamp cover control hose)	13A169-70	Cover (carb. economizer valve)	9930
Connector (heater inlet hose)	18A568	Cover (carb. fuel enrichment valve)	9F594
Connector (parking brake cable)	2A790	Cover (carb. venturi valve)	9A932
Connector (radiator filler neck)	8B016	Cover (clutch pedal pad)	7B544
Connector (trans. oil cooler tube)	7D273, 7C410	Cover (coach lamp retainer)	15B462
Connector (windshield defroster nozzle)	18A435	Cover (distributor breaker)	12276
Connector (windshield washer hose)	17598	Cover (distributor module)	12A236
Connector (wire)	14488	Cover (eng. fuel pump opening)	6095
Connector assy. (EGR vacuum control)	9E455	Cover (fender apron opening)	19D744
Connector assy. (emission main vacuum control)	9E498	Cover (front disc brake caliper bleed screw dust)	2L126
Connector assy. (engine to trans. vacuum rear)	7L212	Cover (fuse panel)	14A003, 14A076
Connector assy. (fuel pump outlet)	9B376	Cover (headlamp)	13A136-8
Connector assy. (fuel valve tube)	9A220	Cover (headlamp dimmer sensor)	13B195
Connector assy. (vacuum A/T/C control box)	19D616	Cover (heater motor dash panel opening)	18A475
Connector assy. (vacuum tube)	9D430	Cover (heater core case)	18B300
Connector assy. (wiring)	14487	Cover (horn blow switch)	13A915
Connector kit (trailer lamp wiring)	14A347	Cover (intake manifold)	9E434
Control (parking brake)	2780-1	Cover (interior mirror bracket)	17676
Control (radio rear seat speaker volume)	18572	Cover (light switch)	11655
Control (trans. floor mounted gearshift)	7400	Cover (map lamp)	13B718
Control assy. (carb. air)	9B960	Cover (parking brake pedal pad)	2A798
Control assy. (carb. fuel)	9B950	Cover (P/S control valve ball stud dust)	3A729
Control assy. (carb. vacuum brake)	9S514	Cover (P/S pump)	3B681
Control assy. (eng. air fuel ratio)	12A651	Cover (radio foot control switch)	18A608
Control assy. (heater)	18549	Cover (rear brake bleed screw dust)	2092
Control Assy. (radio power boost and equalizer amplifier)	18B853	Cover (rear bumper mounting bracket)	17C824
Control assy. (trans. main valve body)	7A100	Cover (rear side marker)	15457
Control kit (heater)	18A593	Cover (rear track bar stud)	5A705
Converter assy. (trans.)	7902	Cover (remote control mirror knob)	17B733
Coolant recovery kit	8522	Cover (roof luggage carrier)	19B507
Coolant recovery (reservoir)	8A080	Cover (starter motor solenoid switch)	11401
Cooler assy. (eng. crankcase oil)	6A642	Cover (steering column lock actuator)	3E745
Cooler assy. (EGR)	9F464	Cover (starter plunger)	11060
Cooler assy. (P/S oil)	3D746	Cover (steering column position control)	3D505
Cooler assy. (trans. oil)	7A095	Cover (steering gear housing end)	3568
Cooling system aids	△	Cover (steering gear sector shaft housing)	3580
Core (speedo. cable)	17262	Cover (trans. case access)	7222
Core assy. (heater)	18476	Cover (trans. control selector indicator opening)	7B100
Countershaft (trans.)	7111	Cover (trans. converter)	7986
Coupling (A/C refrigerant line)	19B596	Cover (trans. gearshift housing lower)	7K444
Coupling (A/C self-sealing)	19B595-6	Cover (trans. gearshift sleeve)	7E405
Coupling (steering gear input shaft to steering column shaft)	3A525	Cover (trans. intermediate band)	7D027
Coupling assy. (speed control sensor)	9E720	Cover (trans. oil pressure regulator body)	7A141
Cover (accelerator pedal pad)	9735	Cover (trans. reverse band servo piston)	7D036
Cover (alternator rear end)	10325	Cover (water pump)	8508
Cover (battery terminal insulator)	14277	Cover (wheel hub)	1130
Cover (brake adjusting hole)	2092	Cover (windshield washer reservoir)	17632
		Cover (windshield wiper motor)	17A511
		Cover (windshield wiper linkage)	17C569



BUY IT NOW!

Click Here To Order



LINCOLN—MERCURY CARS

INDEX

PART NAME	GROUP NUMBER	PART NAME	GROUP NUMBER
△ Refer to Page 1 of Paint Section			
C — Cont'd		D — Cont'd	
Cover (windshield wiper output arm)	17C526	Decalomania (tire instructions)	1532
Cover (wiring shield)	14A390	Deflector (A/C evaporator case air)	19C811
Cover assy. (auxiliary fuel tank)	9B161	Deflector (front bumper stone)	19B898
Cover assy. (carb. accelerator pump)	9528	Deflector (front bumper stone lower)	17779
Cover assy. (distributor suppressor)	12K000	Deflector (parking brake cable)	17B679
Cover assy. (eng. cylinder front)	6019	Deflector (radiator air)	2A791
Cover assy. (eng. valve rocker arm)	6582	Deflector (rear axle driving pinion oil seal)	8326-7
Cover assy. (heater outlet duct)	18C301	Deflector (rear bumper stone)	4859
Cover assy. (instrument cluster trim)	10B883	Deflector (rear bumper stone end)	17808
Cover assy. (P/S gear control valve)	3C544	Deflector assy. (radiator air side)	17C837-8
Cover assy. (P/S pump reservoir)	3A582	Defogger kit (rear window)	8310-1
Cover assy. (rear axle housing)	4033	Detent (trans. gearshift lever)	18397
Cover assy. (rear bumper)	17K838	Dial (instrument cluster indicator)	7E218
Cover assy. (turn indicator switch wiring)	13376	Dial (instrument cluster main)	10B966
Cover assy. (vanity mirror)	17D681	Dial (trans. column shift selector)	10887
Cover assy. (windshield wiper motor)	17C541	Dial (trans. console shift selector)	7A213
Cover assy. (wiring connector)	14A593	Dial (trans. floor shift selector)	7A213
Cover & screen (eng. oil pump)	6K621	Diaphragm assy. (carb. accelerator pump)	7A213
Cover repair kit (eng. cylinder front)	6019	Diaphragm assy. (carb. choke pull down)	9B559
Crankshaft assy. (eng.)	6303	Diaphragm assy. (carb. venturi actuator)	9J549
Cross member (frame rear)	5035	Diaphragm assy. (deceleration valve)	9A900
Cross member assy. (frame front)	5019	Diaphragm assy. (fuel pump)	9K799
Cross member assy. (frame no. 2 or 3)	5025-6	Diaphragm assy. (trans. vacuum throttle valve control)	9398
Cross member & receptacle assy. (trailer hitch)	19A288	Diaphragm & retainer assy. (carb. choke control)	7A377
Cup (brake master cylinder)	2173	Diaphragm & shaft assy. (carb. economy)	9J549
Cup (brake shoe hold down spring)	2066	Differential assy. (rear axle)	9L543
Cup (carb. pump piston)	9572	Differential assy. (rear axle locking)	4200
Cup (front shock absorber)	18A168	Diode (alternator negative)	4026
Cup (front disc brake shoe hold down spring)	2066	Diode (alternator positive)	10378
Cup (front wheel bearing inner)	1202	Diode assy. (lamp fail indicator)	10374
Cup (front wheel bearing outer)	1217	Disc (radio tone control)	10C912
Cup (steering gear worm bearing)	3552	Disc & pressure plate (clutch)	18830
Cup & magnet assy. (windshield wiper motor)	17B584	Disc line (A/C compressor to condenser)	7550
Cylinder (air leveler)	5A666	Dome/map lamp (kit)	19C700,
Cylinder (trans. front clutch)	7A360	Door (A/C air damper inlet)	19972
Cylinder assy. (brake master)	2140	Door (A/C air damper)	13776
Cylinder assy. (eng.)	6009	Door (A/C blower)	18A316
Cylinder assy. (front brake)	2061-2	Door (backup lamp)	18B254
Cylinder assy. (P/S)	3A540	Door (headlamp)	15513
Cylinder assy. (rear brake)	2261-2	Door (heater air damper)	13064
Cylinder & keys (ignition switch lock)	11582	Door (interior lamps)	18A361
Cylinder & keys (steering & ignition lock)	3675	Door (parking lamp)	13788
Cylinder repair kit (brake master)	2004	Door (rear lamp lens)	13210
Cylinder repair kit (front brake)	2221	Door (rear license plate lamp)	13489
Cylinder repair kit (rear brake)	2128	Door assy. (A/C air damper inlet)	13566
D		Door assy. (A/C air inlet)	19C802
Damper (driveshaft drive line vibration)	4A263	Door assy. (A/C evaporator case damper)	19A813
Damper (rear spring)	5A669	Door assy. (A/C evaporator case outlet)	19D812
Damper assy. (eng. crankshaft)	6316	Door assy. (A/C evaporator case temp. control)	19B749
Damper assy. (eng. timing chain vibration)	6284	Door assy. (A/C plenum chamber defrost)	19D842
Damper & arm assy. (steering column)	3K016	Door assy. (heater air temperature control)	19A908
Dashpot assy. (carb.)	9B549	Door assy. (heater air outlet damper)	18B545
Dashpot kicker assy. (carb.)	9B549	Door & hinge assy. (heater air ventilation)	19A555
Dashpot & solenoid assy. (carb.)	9S520	Door & Seal Assy. (heater air temp control)	18A646
Decalomania (fan warning)	8653		18C661



BUY IT NOW!

Click Here To Order



1973/79
LINCOLN-MERCURY CARS

ALPHABETICAL INDEX CHASSIS PARTS 11

INDEX

PART NAME	GROUP NUMBER	PART NAME	GROUP NUMBER
△ Refer to Page 1 of Paint Section			
D — Cont'd		E — Cont'd	
Door & seal assy. (A/C air damper)	18A574	Extension (muffler outlet pipe)	5255
Dowel (clutch to flywheel)	7033	Extension (radiator grille opening panel)	8B002
Dowel (eng. crankshaft main bearing cap)	6A346	Extension (radiator side support)	8B220-1
Dowel (eng. cylinder block)	6397	Extension (rear bumper mounting bracket)	17C859
Dowel (eng. cylinder block flywheel housing)	6397	Extension (steering column shroud)	3R564
Dowel (eng. cylinder head to cylinder block)	6A008	Extension (steering column tube flange)	3790
Drain cock (cylinder block)	8115	Extension (tire valve)	1705
Drain cock (radiator)	8115	Extension (trans. gearshift arm)	7E409
Drive assy. (starter motor)	11350	Extension (windshield defroster nozzle)	18C371-2
Drive kit (A/C)	19B969	Extension assy. (front fender front)	16018-9
Driveshaft assy.	4602	Extension assy. (front bumper)	17A900
Drum (rear wheel brake)	1126	Extension assy. (trailer hitch receptacle)	19A324
Drum assy. (trans. intermediate brake)	7D044	Exterior paint	△
Drum assy. (trans. reverse brake)	7C498	F	
Drum & bearing kit (trans. front)	7K040	Fan (alternator)	10A310
Drum & planetary gear (trans. rear brake)	7A398	Fan assy. (exhaust air supply pump)	9C472
Drum & secondary sun gear (trans. rear clutch brake)	7A626	Fan assy. (carb. cooling motor)	9F614
Duct (A/C evaporator instrument panel register)	19926	Fan kit (carb. cooling)	9F613
Duct (A/C evaporator outlet)	19C633	Fan blade assy.	8600
Duct (heater air inlet)	18B259	Fender (front)	16005-6
Duct (heater air outlet)	18633	Field (A/C compressor clutch)	2987
Duct assy. (A/C air inlet)	19A618	Filler (front fender)	16570-1
Duct assy. (heater outlet to floor)	18C433	Filler (carb. accelerator pump cavity)	9F565
Duct assy. (heater air inlet)	18457	Filler (rear license plate)	17226
Duct assy. (ventilation & heater air inlet)	18651	Filter (brake skid control actuator air)	2B368
Duct & Connector Assy. (A/C junction)	19C932	Filter (crankcase emission)	9D697
Duct & valve assy. (carb. air cleaner)	9A626	Filter (distributor vacuum control valve)	12A120
Dust tube (shock absorber kit)	18047	Filter (fuel tank sender)	9A011
Dusting cloth	△	Filter (instrument cluster light)	10B870
E		Filter (transmission control selector indicator lamp)	15811
Eccentric (eng. camshaft fuel pump drive)	6287	Filter assy. (carb. fuel)	9155
Economizer kit (carb.)	9A565	Filter assy. (crankcase air cleaner)	9D695
Elbow (A/C hose)	18599	Filter assy. (EGR air valve)	9F474
Elbow (distributor vacuum)	12A204	Filter assy. (fuel vapor separator)	9G293
Elbow (eng. crankcase vent hose)	6767	Filter assy. (P/S pump housing oil)	3C602
Elbow (exhaust air supply pump outlet)	9C475	Filter assy. (windshield washer fluid)	17K608
Elbow (heater hose)	18599	Finger (trans. shift control)	7C124
Elbow (speed control servo discharge tube)	9C957	Fire extinguisher kit	19B540
Electrolyte (battery)	10656	Fitting (A/C refrigerant lines)	19D695
Element assy. (carb. air cleaner)	9601	Fitting (carb. fuel inlet)	9A520
Element assy. (cigar lighter)	15054	Fitting (eng. oil cooler)	6748
Element assy. (eng. oil filter)	6731	Fitting (oil pressure sender)	9B339
Element assy. (fuel filter)	9365	Fitting (P/S pump valve outlet)	3D654
Emblem (radiator grille)	8A223	Fitting assy. (intake manifold vacuum outlet)	9A474, 9A476
End assy. (front wheel spindle connecting rod)	3A130-1	Flange (exhaust recirculating valve outlet tube)	9D464
End repair kit (stabilizer bar)	5A486	Flange (fuel tank filler inner)	9109
Engine assy.	6007	Flange (starter motor coil retaining)	11106
Engine reconditioning paint	△	Flange (steering column tube lower)	3D651
Engine starting fluid	△	Flange (steering shaft insulator)	3A528
Equalizer (parking brake cable)	2A602	Flange assy. (rear axle universal joint)	4841
Escutcheon (radio)	18846	Flange assy. (steering column tube)	3511
Escutcheon (rear view outside remote control)	17B685	Flasher assy. (oil temperature indicator)	9E296
Extension (front bumper)	17A900-1	Flasher assy. (turn indicator)	13350
Extension (front fender apron to dash)	16A248-9	Float assy. (carb.)	9550
Extension (front fender apron to dash) (over)	16A162-3		
	13B116		



BUY IT NOW!

Click Here To Order

COPYRIGHT © 1986 — FORD MOTOR — DEARBORN, MICHIGAN COMPANY

New Issue



INDEX

PART NAME	GROUP NUMBER	PART NAME	GROUP NUMBER
△ Refer to Page 1 of Paint Section			
F — Cont'd		G — Cont'd	
Float assy. (fuel tank sender)	9202	Gasket (eng. oil filler cap)	6789
Flywheel assy. (eng.)	6375	Gasket (eng. oil filter adapter)	6A636
Fork (trans. gear shifter)	7230-1	Gasket (eng. oil filter center bolt cover)	6749
Fork (trans. intermediate & high shifter)	7230	Gasket (eng. oil pan drain plug)	6734
Fork (trans. low & reverse gear shifter)	7231	Gasket (eng. oil pump inlet tube)	6626
Frame (A/C air damper door)	19A596	Gasket (eng. oil pump to block)	6659
Frame (A/C heater core)	18A441	Gasket (eng. valve rocker arm cover)	6584
Frame (license plate)	17A387	Gasket (exhaust air supply tube upper)	9C435
Frame assy.	5005	Gasket (EGR cooler tube-inlet)	9F470
Frame kit (license plate)	17A385	Gasket (EGR cooler tube-outlet)	9F478
Fuel stop valve kit	9189	Gasket (EGR valve)	9D476
Fuel tank shield kit	9B007	Gasket (EGR valve adapter)	9E464, 9E476
G		Gasket (EGR valve body)	9E476
Gasket (A/C blower housing)	18B488	Gasket (exhaust manifold to cylinder head)	9448
Gasket (A/C blower inlet plate)	19B663	Gasket (front brake backing plate to spindle)	2044
Gasket (A/C plenum chamber to evap. case)	19D849	Gasket (front brake grease baffle)	2026
Gasket (A/C plenum chamber front)	19A915	Gasket (front brake splash shield)	2B160
Gasket (A/C plenum chamber outlet)	19C901	Gasket (fuel filter mounting)	9229
Gasket (A/C blower motor mounting)	19B730	Gasket (fuel gauge tank unit)	9276
Gasket (A/C compressor valve plate)	19B994	Gasket (fuel pump filter bowl)	9364
Gasket (A/C evaporator drain tube)	19A700	Gasket (fuel pump mounting)	9417
Gasket (A/C register to evaporator case center)	19A893	Gasket (fuel tank cap)	9035
Gasket (antenna)	18898	Gasket (fuel tank filler to quarter panel)	9076
Gasket (backup lamp lens)	15510	Gasket (heater core tube)	18596
Gasket (air pump elbow)	9F429	Gasket (heater inlet)	18A569
Gasket (body side lamp)	15A209	Gasket (heater mounting plate)	18695
Gasket (brake line connector)	2149	Gasket (heater to dash)	18570
Gasket (brake master cylinder)	2L223	Gasket (Htr. plenum chamber to dash)	10B623
Gasket (brake master cylinder filler cap)	2167	Gasket (instrument cluster control)	10A985
Gasket (brake master cylinder mounting adapter)	2B355	Gasket (instrument cluster warning lamp)	10A995
Gasket (brake master cylinder reservoir)	2A140	Gasket (intake manifold cover)	9E436
Gasket (brake pressure differential valve)	2B262	Gasket (intake manifold to cylinder head)	9441
Gasket (carb. air cleaner bottom)	9654	Gasket (light switch)	11A670
Gasket (carb. air cleaner internal)	9673	Gasket (oil filler cap)	6789
Gasket (carb. air horn throttle body)	9564	Gasket (parking lamp lens)	13211
Gasket (carb. booster venturi support)	9A536	Gasket (power brake booster mounting bracket)	2B022
Gasket (carb. economizer cover)	9563	Gasket (P/S control valve body)	3A740
Gasket (carb. economizer valve)	9A588	Gasket (P/S pump cover)	3A760
Gasket (carb. float bowl)	9561	Gasket (P/S pump oil reservoir cover)	3A642
Gasket (carb. fuel inlet)	9229	Gasket (rear axle differential carrier)	4035
Gasket (carb. fuel inlet needle seat)	9569	Gasket (rear axle housing to cover)	4036
Gasket (carb. heat shield spacer)	9E795	Gasket (rear lamp lens)	13461
Gasket (carb. hot idle compensator)	9B567	Gasket (rear lamp reflector lens)	13623
Gasket (carb. power valve)	9A588	Gasket (rear license plate lamp lens)	13568
Gasket (carb. pump discharge nozzle)	9926	Gasket (rear view outside mirror)	17724
Gasket (carb. pump relief)	9580	Gasket (rear wheel)	1001
Gasket (carb. thermostatic choke control)	9853	Gasket (separator assy. fuel vapor)	9276
Gasket (carb. thermostatic choke housing)	9871	Gasket (side lamp lens)	15A209
Gasket (carb. throttle body to main body)	9516	Gasket (speedo. case)	17303
Gasket (carb. to intake manifold)	9447	Gasket (starter motor drive housing)	11003
Gasket (carb. to intake manifold spacer)	9C477	Gasket (starter motor housing end plate)	11003
Gasket (carb. vent cover)	9592	Gasket (starter motor plunger cover)	11065
Gasket (carb. water chamber thermostat assy.)	9871	Gasket (steering gear housing cover)	3581
Gasket (eng. cylinder front cover)	6020	Gasket (thermostat)	8590
Gasket (air pump elbow)	9F429	Gasket (thermostatic choke heat supply cover)	9903
	6051	Gasket (trans. case access cover)	7223



BUY IT NOW!

Click Here To Order



INDEX

PART NAME	GROUP NUMBER	PART NAME	GROUP NUMBER
△ Refer to Page 1 of Paint Section			
G — Cont'd		G — Cont'd	
Gasket (trans. case to cover)	7223	Gear (trans. forward ring)	7D392
Gasket (trans. extension housing)	7086	Gear (trans. low & reverse sliding)	7100
Gasket (trans. extension housing to case)	7086	Gear (trans. low constant mesh)	7A029
Gasket (trans. front oil pump to case)	7A136	Gear (trans. output shaft parking)	7A233
Gasket (trans. gearshift to floor pan)	7C370	Gear (trans. output shaft ring)	7A153
Gasket (trans. input shaft bearing retainer)	7051	Gear (trans. reverse idler sliding)	7D223
Gasket (trans. intermediate band servo cover)	7D026	Gear (trans. second speed)	7102-3
Gasket (trans. oil drain plug)	7L101	Gear (trans. third speed)	7B340
Gasket (trans. oil pan)	7A191	Gear assy. (speedo. drive)	17285
Gasket (trans. oil pan screen)	7E062	Gear assy. (speedo. driven)	17271
Gasket (trans. oil pan to case)	7A191	Gear assy. (steering)	3504
Gasket (trans. rear oil pump to case)	7A222	Gear assy. (trans. primary sun)	7A399
Gasket (trans. throttle valve diaphragm)	7B426	Gear assy. (trans. sun)	7D063
Gasket (trans. valve body separator plate)	7D100	Gear & bushing (trans. intermediate)	7102
Gasket (valve assy. to spacer)	9B567	Gear & bushing (trans. reverse idler)	7141
Gasket (water outlet connection)	8255	Gear & pinion (windshield wiper motor)	17A479
Gasket (water pump cover)	8513	Gear & pinion kit (rear axle differential)	4209
Gasket (water pump housing)	8507	Gear & shaft assy. (windshield wiper motor output)	17A434
Gasket (windshield wiper motor cover)	17471	Gear set (eng. cylinder timing)	6306
Gasket (windshield wiper motor seal)	17C430	Glass (radiator coolant level sight)	8B404
Gasket (wiring connector)	14A297	Glass (rear view outside mirror)	17723
Gasket & oil seal kit	7153	Governor (windshield wipers)	17C476
Gasket & oil seal repair kit (trans.)	7153	Governor assy. (trans.)	7C053
Gasket assortment (water outlet connection)	8255	Governor assy. (trans.)—Incl. counterweight	7C053
Gasket kit (trans.)	7153	Governor assy. (trans. less counterweight)	7C063
Gasket set (carb.)	9502	Grille (hood air scoop)	16A624
Gasket set (eng. complete overhaul)	6008	Grille (radiator)	8200
Gasket set (eng. lower)	6E078	Grille (radio speaker)	18978
Gasket set (eng. oil pan)	6781	Grille (vent air inlet)	18A449
Gasket set (eng. valve grind)	6079	Grille assy. (rear window defogger)	18C490
Gasket set (manifold)	9433	Grommet (A/C tube fender apron)	19D743
Gasket & shim kit (steering gear sector shaft housing cover)	3F518	Grommet (brake tube)	2K409
Gas line anti-freeze	△	Grommet (carb. air cleaner)	9697
Gauge (engine vacuum)	10B944	Grommet (carb. vent to air cleaner)	9P555
Gauge (instrument cluster temperature)	10883	Grommet (eng. cyl. front cover)	6C019
Gauge assy. (fuel instrument panel unit)	9305	Grommet (eng. rocker arm cover seal)	6570
Gauge assy. (fuel level)	9280	Grommet (fuel line to side apron)	9K288
Gauge assy. (fuel tank unit)	9275	Grommet (fuel tank filler pipe)	9080
Gauge assy. (oil pressure)	9280	Grommet (fuel tank vent expansion fuel vapor tube)	9D698
Gauge assy. (oil pressure eng. unit)	9278	Grommet (hood support to hood)	16827
Gauge assy. (oil pressure instrument panel unit)	9273, 9B308	Grommet (speedo. case)	17304
Gauge assy. (temperature)	9280	Grommet (starter motor)	11A120
Gauge & valve assy. (automatic air leveler)	5A687	Grommet (starter motor terminal insulator)	11A120
Gear (eng. camshaft)	6526	Grommet (windshield wiper motor mounting)	17C431
Gear (eng. crankshaft)	6306	Grommet (windshield wiper pivot shaft)	17C582
Gear (eng. flywheel ring)	6384	Grommet (wiring)	14603-5
Gear (rear axle differential side)	4236	Guard (A/C accumulator hose)	19D745
Gear (speedo. drive)	17285	Guard (fan)	8A611
Gear (speedo. driven)	17271	Guard (front bumper)	17996-7
Gear (steering column lock)	3E717	Guard (fuel tank)	9099
Gear (trans. countershaft cluster)	7113	Guard (rear bumper)	17984
Gear (trans. first speed)	7A029	Guard kit (front bumper)	17996



BUY IT NOW!

Click Here To Order



INDEX

PART NAME	GROUP NUMBER	PART NAME	GROUP NUMBER
△ Refer to Page 1 of Paint Section			
H — Cont'd		H — Cont'd	
Hose assy. (automatic air leveler reservoir to compressor)	5A849	Hub (rear axle differential gear clutch)	4946
Hose assy. (automatic air leveler reservoir to valve)	5A850	Hub (trans. converter turbine)	7926
Hose assy. (eng. oil cooler)	6A715	Hub (trans. front clutch)	7B067
Hose assy. (P/S pressure line)	3A719	Hub (trans. output shaft)	7D164
Hose assy. (rear wheel brake)	2A442	Hub (water pump pulley)	8553
Hose assy. (rear window washer)	17408	Hub assy. (instrument cluster dial)	10C942
Hose assy. (speed control regulator to vacuum supply)	9E723	Hub assy. (instrument cluster lens)	10C867
Hose assy. (windshield washer)	17K605	Hub & bearing (clutch release)	7548
Hose & elbow assy. (A.T.C. control sensor)	19D888	Hub & brake drum (front wheel)	1102
Hose guard kit (A/C refrigerant line)	19B970	Hub & rotor (front wheel disc brake)	1102
Housing (A/C and heater blower)	18A544	I	
Housing (A/C blower motor)	18592-3	Idler (parking brake rear cable)	2A808
Housing (A/C blower outer)	18755	Impeller (water pump)	8512
Housing (A/C instrument panel register)	19623	Impeller repair kit (P/S pump)	3A711
Housing (alternator front)	10333	Indicator (eng. oil level)	6750
Housing (carb. air cleaner temperature sensor override valve)	9E863	Indicator (trans. control selector)	7A110
Housing (carb. thermostatic choke)	9848	Indicator (trans. oil level)	7A020
Housing (clock)	15A003	Indicator assy. (distance to empty)	9C327
Housing (headlamp cover solenoid)	13C021	Insert (carb. to intake manifold spacer)	9E690
Housing (heater)	18592-3	Insert (eng. oil filter mounting bolt)	6890
Housing (hood hinge)	16C674	Insert (P/S pump cam)	3B585
Housing (instrument cluster)	10838	Insert (rear spring)	5624
Housing (parking lamp)	13A272-3	Insert (steering column lock)	3E716
Housing (rear axle)	4010	Insert (steering wheel pad)	3C680
Housing assy. (roof sliding panel switch)	15873	Insert (thermostatic choke control)	9A714
Housing (seat belt warning lamp)	10C876	Insert (trans. column shift selector position)	7A216
Housing (starter motor drive end)	11130	Insert (trans. control selector housing)	7E362
Housing (starter motor rear end)	11130	Insert (trans. synchronizer hub)	7A044
Housing (trans. clutch)	7505	Installation kit (P/S)	3A634-5
Housing (trans. console shift selector)	7A306	Insulator (accelerator shaft to dash bracket)	9B862
Housing (trans. converter)	7975-6	Insulator (A/C compressor bolt)	19D893
Housing (trans. extension)	7A039	Insulator (A/C blower motor mounting)	19D642
Housing (water pump)	8505	Insulator (alternator diode plate)	10A383
Housing (window regulator switch)	14527-8	Insulator (alternator stator end)	10A361
Housing (windshield wiper motor)	17A431	Insulator (alternator terminal)	10329
Housing assy. (alternator front)	10333	Insulator (ammeter)	10C914
Housing assy. (alternator rear)	10334	Insulator (automatic air leveler compressor mounting)	2A965
Housing assy. (carb. choke)	9A575	Insulator (driveshaft universal joint center bearing)	4826
Housing assy. (eng. flywheel)	6392	Insulator (EGR cooler mtg. brkt.)	9F487
Housing assy. (P/S gear actuator)	3E564	Insulator (EGR valve to exhaust manifold tube)	9E481
Housing assy. (P/S pump)	3A643	Insulator (eng. front support)	6038
Housing assy. (reading lamp switch)	13C708	Insulator (eng. rear support rebound)	6A061
Housing assy. (steering gear)	3548	Insulator (frame to body bracket)	5A103
Housing assy. (trans. console shift)	7D394	Insulator (front bumper)	17C760
Housing assy. (trans. gearshift)	7222	Insulator (front bumper arm)	17B947
Housing assy. (warning indicator)	10C876	Insulator (front disc brake caliper locating pin)	2B299
Housing & plugs assy. (carb. thermostatic choke)	9849	Insulator (front spring)	5415
Housing kit (carb. thermostatic choke)	9848	Insulator (front stabilizer bar to lower suspension arm link bolt)	5-5490
Hub (carb. fast idle cam)	9D558	Insulator kit (front susp. upper arm brkt.)	2078
Hub (front wheel)	1104	Insulator (fuel tank to floor pan)	9A068
		Insulator (heated backlite)	14A199



BUY IT NOW!

Click Here To Order



LINCOLN—MERCURY CARS

INDEX

PART NAME	GROUP NUMBER	PART NAME	GROUP NUMBER
△ Refer to Page 1 of Paint Section			
I — Cont'd		K — Cont'd	
Insulator (hood)	16738	Key (eng. camshaft gear to camshaft)	68316-7
Insulator (horn blowing ring inner contact plate)	13A891	Key (eng. crankshaft gear or sprocket to crankshaft)	6B316
Insulator (instrument cluster)	10C914	Key (eng. valve spring retainer)	6518
Insulator (P/S control valve spool stop)	3C562	Key (front disc brake caliper support)	2B487
Insulator (P/S cylinder rod)	3A344	Knob (clock front reset)	15032
Insulator (P/S hose mounting)	3A609	Knob (fuse holder cover)	14N016
Insulator (radiator grille lower)	8C158	Knob (radio rear seat speaker fader control)	17513
Insulator (rear bumper reinforcement center)	17B857	Knob (steering column lock actuator lever)	3F531
Insulator (rear spring)	5536	Knob (trans. selector lever)	7213
Insulator (rear spring center mounting)	5741	Knob (trans. shift lever)	7213
Insulator (rear stabilizer bar link)	5C492	Knob assy. (A/C blower switch control)	18519
Insulator (stabilizer bar)	5493	Knob assy. (defroster control)	18519
Insulator (stabilizer to frame)	5484	Knob assy. (heated backlite control)	15674
Insulator (starter motor brush holder)	11062	Knob assy. (heater blower switch control)	18519
Insulator (starter motor switch)	11068	Knob assy. (instrument panel lamp switch)	13K713
Insulator (starter motor switch spring)	11181	Knob assy. (power top control)	18519
Insulator (starter motor terminal field)	11107	Knob assy. (radio control)	18817
Insulator (steering column bracket)	3682	Knob assy. (radio fader control)	17513
Insulator (steering column lower flange)	3B564	Knob assy. (rear seat speaker fader control)	17513, 18958
Insulator (steering column shaft)	3E629	Knob assy. (rear window defogger control)	18519
Insulator (steering gear)	3C716	Knob assy. (speed control)	18519
Insulator (steering gear rack & pinion mounting)	5484	Knob assy. (tailgate window control)	15674
Insulator (steering wheel spoke)	3D759	Knob assy. (trans. console shift selector lever)	7213
Insulator (thermostatic choke control outlet tube)	9865	Knob assy. (wiper switch control)	17513
Insulator (trans. column shift selector lever)	7246	Knob & element assy. (cigar lighter)	15052
Insulator (trans. control cable bracket)	7F030	Knob & shaft assy. (headlamp switch)	11661
Insulator (trans. control selector shaft arm)	7341	L	
Insulator (trans. gearshift lever)	7246,	Label (fuel unleaded)	9A095
Insulator (trans. gearshift selector arm)	7341	Label (eng. code & information)	6E072
Insulator (trans. reverse gearshift lever)	7349	Lamp assy. (back window heat control warning)	18C622
Insulator (wiring)	14A240	Lamp assy. (backup)	15000-1
Insulator (wiring terminal)	14A336	Lamp assy. (cigar lighter)	15072
Insulator assy. (eng. rear support)	6068	Lamp assy. (emergency warning flasher)	10K844
Insulator assy. (P/S hose)	3E601	Lamp assy. (eng. compt.)	15702
Insulator kit (alternator terminal)	10A383	Lamp assy. (exterior pillar)	15B437
Interior paint	△	Lamp assy. (interior)	13776
Interlock (trans. gearshift control lever)	7C318	Lamp assy. (luggage compt.)	13A756
Isolator assy. (frame to body)	5C036	Lamp assy. (map)	15650
Isolator assy. (front bumper)	17C882-3	Lamp assy. (marker light)	15A201
Isolator assy. (rear bumper)	17C884-5	Lamp assy. (parking)	13200-1
J		Lamp assy. (rear)	13404-5
Jack assy.	17080	Lamp assy. (rear license)	13550
Jet (carb. idle)	9542	Lamp assy. (seat belt warning)	10B925
Jet (carb. main metering)	9533	Lamp assy. (trans. control selector)	15A801
Jet (windshield washer nozzle)	17A602	Lamp assy. (warning indicator)	10C915
Jet & bracket assy. (windshield washer nozzle)	17603	Lamp & wire assy. (glove compt.)	14412
Jewel (high beam indicator lamp)	13586	Latch (hood)	16929, 16700-1
Joint assy. (front suspension upper arm ball)	3049	Latch assy. (carb. electric choke cam)	9A754
K		Leaf (rear spring)	5564-5
Key (blank)	3685	Lens (backup lamp)	15514



BUY IT NOW!

Click Here To Order



INDEX

PART NAME	GROUP NUMBER	PART NAME	GROUP NUMBER
△ Refer to Page 1 of Paint Section			
L — Cont'd		L — Cont'd	
Lens (back window heat control warning lamp)	18C672	Lever (trans. first & second speed gearshift)	7290
Lens (instrument cluster main)	10887	Lever (trans. floor mounted gearshift)	7210
Lens (instrument cluster warning lamp)	10A936	Lever (trans. front band servo actuating)	7330
Lens (instrument panel turn indicator lamp)	13340	Lever (trans. gearshift control)	7C312
Lens (interior lamp)	13734	Lever (trans. intermediate & high gear shifter fork)	7285
Lens (odometer)	17B251	Lever (trans. low & reverse gear shifter fork)	7290
Lens (parking lamp)	13208-9	Lever (trans. manual control valve detent)	7A115
Lens (pillar, dome or roof side lamp)	13783	Lever (trans. parking pawl toggle)	7A117, 7A121
Lens (rear lamps)	13450-1		
Lens (rear license plate lamp)	13564	Lever (trans. parking pawl torsion spring)	7B470
Lens (seat belt warning lamp)	10B927	Lever (trans. rear bank servo actuating)	7A169
Lens (side lamp)	15A215	Lever (trans. reverse gearshift)	7290
Lens (trans. column shift selector dial)	7B037	Lever (trans. third & fourth speed gearshift)	7285
Lens (vanity mirror lamp)	17C706	Lever (trans. throttle control inner)	7-7283
Lens assy. (courtesy lamp)	13547	Lever (w/shield def. control)	18C254
Lens assy. (rear lamp optic)	13463	Lever (windshield wiper motor park switch)	17B549
Lens assy. (windshield wiper control)	17D440	Lever kit (brake shoe adjusting)	2A176
Letter (hood front)	16606	Lever assy. (carb. thermostatic choke)	9K737
Leveler kit (air)	5A589	Lever assy. (carb. fast idle adjusting intermediate)	9B912
Lever (accelerator pedal)	9A709	Lever assy. (clutch release)	7515
Lever (A/C temperature regulator control)	18A367	Lever assy. (hood latch release)	16B708
Lever (automatic air leveler valve actuating)	5B689	Lever assy. (starter motor)	11077
Lever (brake shoe adjusting)	2A176-7	Lever assy. (steering column lock)	3F527
Lever (carb. accelerator pump)	9D591	Lever assy. (trans. column shift selector)	7210
Lever (carb. air valve dampener)	9B582	Lever assy. (trans. console shift selector)	7210
Lever (carb. bowl vent operating)	9D591	Lever assy. (trans. downshift control)	7A394
Lever (carb. choke control diaphragm)	9J553	Lever assy. (trans. downshift detent)	7D261
Lever (carb. choke shaft)	9551	Lever assy. (trans. manual control)	7A256
Lever (carb. dechoke override)	9J598	Lever assy. (trans. parking pawl)	7A117
Lever (carb. dump valve)	9538	Lever assy. (turn indicator)	13305
Lever (carb. fast idle adjusting)	9538	Lever & shaft assy. (carb. secondary throttle plate)	9A592
Lever (carb. fast idle cam)	9F577	Lever & shaft assy. (carb. throttle)	9581
Lever (carb. fast idle pickup)	9B562	Lever & shaft assy. kit (carb. throttle)	9581
Lever (carb. fuel inlet needle control)	9B904	Lever & strut assy. (parking brake)	2L643-4
Lever (carb. metering rod)	9J538	Lever & swivel assy. (carb. altitude control)	9B509
Lever (carb. secondary throttle stop)	9583	Lighter kit (cigar)	15A044
Lever (carb. throttle)	9C504, 9583	Limiters (carb. idle adjusting)	9J500
Lever (carb. throttle shaft aux.)	9A537	Limiters (carb. idle adjusting needle)	9J500
Lever (carb. venturi valve limiter)	9A926	Liner (rear spring clamp)	5334
Lever (fuel pump rocker arm return spring)	9B354	Lining (brake shoe primary)	2021, 2284
Lever (heater air outlet control)	18K253	Lining (brake shoe secondary)	2022, 2285
Lever (heat air damper)	18K417	Lining kit (brake shoe)	2007
Lever (heater temperature regulator control)	18544	Link (automatic air leveler valve actuating)	5A690
Lever (parking brake cable to secondary brake shoe)	2A637-8	Link (brake cylinder to shoe)	2042
Lever (parking brake equalizer)	2A605-6	Link (carb. accelerator pump)	9529
Lever (rear wheel parking brake shaft actuating)	2B596-7	Link (carb. air valve dampener)	9H583
Lever (starter motor drive)	11067	Link (carb. choke thermostat)	9834
Lever (steering column locking)	3B661	Link (hood latch release)	16B708
Lever (steering column release)	3D544	Link (parking brake lever to primary brake shoe)	2A642
Lever (throttle control shaft trans. K/D)	9P721	Link (throttle control)	9746
Lever (trans. column mounted gearshift)	7210	Link (trans. parking pawl toggle)	7C495
Lever (trans. downshift control cover)	7A394		



BUY IT NOW!

Click Here To Order



LINCOLN—MERCURY CARS

INDEX

PART NAME	GROUP NUMBER	PART NAME	GROUP NUMBER
△ Refer to Page 1 of Paint Section			
L — Cont'd		M — Cont'd	
Link (trans. parking pawl toggle operating lever)	7C495	Moulding (front bumper)	17B970
Link assy. (automatic air leveler valve actuating)	5A690	Moulding (front bumper stone deflector)	17B814
Link assy. (stabilizer bar)	5K484	Moulding (front fender extension)	16B124-5
Liquid line (A/C dryer to evaporator)	19D567, 19835-7	Moulding (front fender front)	16160-1, 16164-5
Liquid tire chain	△	Moulding (front fender front extension upper)	16074-5
Lock (rear axle differential bearing adjuster)	4143	Moulding (front fender side)	16003-4, 16036-7
Lock & keys (spare wheel)	1386	Moulding (front fender side rear)	16A038-9
Lock lubricant	△	Moulding (front fender upper rear)	16C132-3
Lock set (hood latch release handle)	16978	Moulding (front fender wheel opening)	16038-9
Lock set (spare wheel)	1386	Moulding (headlamp cover)	13B088
Lockwasher	17K495	Moulding (headlamp door)	13A112
Louver (front fender side)	16C252	Moulding (headlamp housing)	13B166
Lubricants	△	Moulding (hood)	16856-7
Lubricator assy. (distributor cam)	12A206	Moulding (hood rear)	16B918
M		Moulding (quarter panel)	16003-4
		Moulding (radiator grille)	8419
Magnet (trans. oil pan)	7K195	Moulding (radiator grille opening panel)	8A156-7
Main control assy. (trans.)	7A100	Moulding (radiator grille sight shield)	8C099
Manifold (EGR cooler)	9G443	Moulding (rear bumper)	17B970
Manifold (exhaust)	9430-1	Moulding (rear bumper end)	17C794-5
Manifold (intake)	9424	Moulding (rear bumper lower center)	17C777
Manifold assy. (exhaust air supply)	9B445	Moulding (rear bumper upper)	17C772
Manifold assy. (vacuum outlet)	9C490	Moulding (rear reflector)	13B417
Manifold & check valve (power brake booster)	2A411	Moulding assy. (front fender side lower front)	16550-1
Manifold & tube assy. (A/C)	19D734	Mounting (trans. clutch release equalizer bar)	7507
Mask (instrument cluster)	10890	Mounting kit (alternator rectifier)	10K346
Mask (radio receiver opening)	19A172	Mounting parts kit (alternator pulley)	10B304
Mask (trans. console shift selector indicator dial)	7B052	Muffler	5230
Mask assy. (console panel lamp)	13C726	Muffler assy. (exhaust air supply pump)	9F449
Mast (radio antenna replacement)	18A886	N	
Medallion (radiator grille)	8A223	Needle (carb. idle adjusting)	9541
Microphone assy. (C.B.)	18B804	Network assy. (C.B. radio antenna)	18B812
Mirror (vanity)	17A679	Nipple (eng. crankcase ventilation hose)	6767
Mirror assy. (rear view inside)	17700	Nozzle (windshield defroster hose)	18490-1
Mirror assy. (rear view outside)	17682	Nut (adapter heater temperature control valve)	18K307
Mirror kit (rear view inside)	17700	Nut (brake shoe adjusting screw)	2047
Mirror kit (rear view outside)	17696	Nut (brake tube)	2133
Modulator assy. (breakerless ignition)	12A199	Nut (carb. adjusting—nylon)	9D564
Module (brake skid control)	2B373	Nut (carb. air cleaner mounting)	9A659
Motor assy. (A/C blower)	18527	Nut (carb. throttle lever retaining)	9618
Motor assy. (A/C vacuum control)	18A318	Nut (clock reset knob)	15A012
Motor assy. (carb. feedback control)	9C908	Nut (courtesy lamp switch)	13753
Motor assy. (headlamp cover control)	13A167	Nut (eng. valve rocker arm stud)	6A529
Motor assy. (heater blower)	18527	Nut (front suspension upper arm mounting bolt)	3B023
Motor assy. (parking brake release control)	2A843	Nut (headlamp adjusting screw)	13181
Motor assy. (seat regulator)	14547	Nut (headlamp switch)	11650
Motor assy. (sliding roof panel)	15790	Nut (heater regulator control)	18A508
Motor assy. (windshield wiper)	17508	Nut (parking brake equalizer)	2091
Motor oils	△	Nut (P/S gear race)	3D627
Motor & tube assy. (electric radio antenna)	18850	Nut (radio antenna)	18865
Motor & tube assy. (electric antenna—C.B.)	18B850		



BUY IT NOW!

[Click Here To Order](#)



1973/79 ALPHABETICAL INDEX CHASSIS PARTS 19
LINCOLN-MERCURY CARS

INDEX

PART NAME	GROUP NUMBER	PART NAME	GROUP NUMBER
△ Refer to Page 1 of Paint Section			
N — Cont'd		P — Cont'd	
Nut (radio control shaft)	18818	Pad (rear reflector mounting)	13A493
Nut (rear view outside mirror remote control)	17B732	Pad (rear view inside mirror to windshield)	17A720
Nut (spare wheel mounting bolt)	1462	Pad Assy. (front bumper guard)	17A812
Nut (steering gear rack & spindle rod lock)	3F514	Paint	△
Nut (steering gear worm thrust bearing lock)	3707	Pan Assy. (eng. oil)	6675
Nut (top control switch)	15A670	Pan Assy. (trans. oil)	7A194
Nut (top control switch mounting)	15B663	Panel (front valance)	17626
Nut (trans. gearshift lever ball lock)	7C404	Panel (fuse junction)	14A067-8
Nut (wheel hub bolt)	1012	Panel (radiator grille opening)	8190
Nut (windshield wiper control)	17512	Panel (radiator grille opening lower)	8188-9
Nut (windshield wiper pivot shaft to cowl)	17481	Panel (relay)	14A481
Nut & ferrule Assy. (exhaust air supply)	9B471	Panel Assy. (A/C register trim)	19C866
O		Panel Assy. (heater control)	18A651
Orifice kit (power steering gear control valve housing)	3A700	Panel Assy. (warning indicator)	10B987
Orifice repair kit (P/S control valve)	3P637	Pawl (steering column lock)	3E691
"O" ring (A/C refrigerant line)	19D695	Pawl (trans. gearshift crossover)	7E341
"O" ring (A/C seal kit)	19B596	Pawl (trans. parking)	7A441
"O" ring (EGR valve)	9E457	Pedal (clutch)	7519
"O" ring kit (turbocharger)	9G487	Pedal Assy. (accelerator)	9735
"O" ring (P/S control valve spool centering spring)	3C706	Pedal Assy. (brake)	2455
"O" ring (P/S gear control valve to housing)	3756	Pin (brake master cylinder push rod clevis)	2462
"O" ring (trans. clutch post outer)	7E244	Pin (brake shoe hold down spring)	2069
"O" ring kit (A/C refrigerant line)	19B596	Pin (carb. choke pull down)	9B527
Oil cooler kit (trans. aux.)	7K177	Pin (carb. metering rod pivot)	9A515
Oils	△	Pin (carb. venturi valve)	9A918
Ornament (front fender)	16228-9	Pin (carb. switch vent solenoid lever)	9H584
Ornament (headlamp cover)	13A186	Pin (eng. crankshaft rear oil seal)	6A302
Ornament (hood front)	16637	Pin (eng. piston)	6135
Ornament (hood top)	16850-1	Pin (front brake shoe adjusting lever pivot)	2B240
Ornament (rear reflector)	13623	Pin (front disc brake caliper locating)	2B296
Outlet (heater duct center)	18K543	Pin (ignition switch actuating)	11A601
Outlet (heater duct L.H.)	18K438	Pin (parking brake cable guide-rear)	2B267
P		Pin (parking brake equalizer lever pivot)	2K579
Packing (eng. crankshaft rear)	6701	Pin (parking brake handle locking)	2819
Pad (A/C register louver)	19C896	Pin (parking brake lever)	2107
Pad (brake pedal)	2454	Pin (rear axle differential & pinion shaft lock)	4241
Pad (clutch pedal plate)	7A624	Pin (seat belt switch actuator)	7E454
Pad (front bumper)	17C881	Pin (speed control servo clevis)	9D841
Pad (front bumper horizontal)	17C829	Pin (spindle connecting rod nut locking)	3K659
Pad (front fender rear moulding)	16A268-9	Pin (steering column pivot)	3D739
Pad (front fender upper moulding)	16D214	Pin (temperature regulator control lever pivot)	18621
Pad (front fender upper rear moulding)	16A272	Pin (trans. front band servo guide)	7A163
Pad (fuel tank)	9075	Pin (trans. gearshift interlock rod)	7C316
Pad (fuse box)	14A079	Pin (trans. gearshift lever)	7A111
Pad (hood)	16740	Pin (trans. gearshift lever pilot)	7D439
Pad (outside mirror)	17724	Pin (trans. gearshifter interlock)	7235
Pad (rear bumper guard)	17A807	Pin (trans. parking pawl)	7-7312
Pad (rear bumper horizontal)	17C830	Pin (trans. parking pawl toggle)	7A119,
Pad (rear bumper jack bracket)	17C874	Pin (trans. parking pawl toggle lever)	7A244,
Pad (rear lamp mounting)	13420	Pin (trans. parking pawl toggle link to pawl)	7A295
		Pin (trans. rear band actuating lever shaft)	7-7356



BUY IT NOW!
 Click Here To Order



INDEX

PART NAME	GROUP NUMBER	PART NAME	GROUP NUMBER
△ Refer to Page 1 of Paint Section			
P — Cont'd		P — Cont'd	
Pin (trans. throttle control valve)	7A380	Plate (eng. aux. shaft retaining)	6613
Pin (trans. throttle pressure booster retainer)	7D375	Plate (eng. camshaft thrust)	6269
Pin (vanity mirror cover)	17D682	Plate (eng. cylinder front cover)	6B070
Pin (windshield wiper motor)	17B563	Plate (eng. flywheel reinforcing)	6A366
Pinion (rear axle differential)	4215	Plate (eng. oil inlet tube bolt locking)	6A736
Pipe (auxiliary tank filler)	9B168	Plate (eng. oil pump body)	6616
Pipe (auxiliary to fuel tank)	9B166-7	Plate (exterior lamp opening cover)	15B445
Pipe (muffler inlet)	5246	Plate (front brake backing)	2012-3
Pipe (muffler inlet extension)	5A212	Plate (front brake hub mounting bolt locking)	2K314
Pipe (muffler outlet)	5255	Plate (front brake mounting bolt locking)	2K007
Pipe (exhaust manifold outlet)	9G437	Plate (front bumper)	17859
Pipe assy. (fuel tank)	9K079	Plate (front bumper anchor)	17612
Pipe assy. (fuel tank filler)	9034	Plate (front coil spring top mounting)	3A197
Pipe assy. (fuel tank filler lower)	9038	Plate (front disc brake caliper anchor)	2B292-3
Piston (brake cylinder)	2196	Plate (front fender apron access hole cover)	16D200-1
Piston (brake master cylinder)	2169	Plate (front fender name)	16098
Piston (carb. accelerator pump)	9B544	Plate (front name)	16604
Piston (trans. forward clutch)	7A262	Plate (front suspension camper adjusting)	3B391
Piston (trans. front band servo)	7A164, 7A260	Plate (headlamp mounting)	13A004
		Plate (heater deflector)	18C296
Piston (trans. intermediate servo)	7D022	Plate (heater inlet duct retaining)	18A452
Piston (trans. rear band servo)	7A266	Plate (heater hose inlet & outlet cover)	18469
Piston (trans. rear clutch)	7D157	Plate (heater housing blower & plenum)	18A845
Piston assy. (carb. choke)	9840	Plate (heater housing core)	18A488
Piston assy. (carb. feedback)	9A565	Plate (heater motor mounting)	18581
Piston assy. (carb. power valve)	9G553	Plate (heater mounting)	18679
Piston assy. & connecting rod (eng.)	6100	Plate (hood aux. catch striker)	16918
Piston assy. (eng.)	6108	Plate (hood hinge)	16795
Piston assy. (trans. intermediate band servo)	7D021	Plate (hood latch cable retainer)	16B968
Piston assy. (trans. rear clutch)	7D157	Plate (hood latch cover)	16N782
Piston guide release piston & seals (front band servo)	7A260	Plate (horn blow switch cover trim)	13A932
		Plate (horn switch brush)	13A823
Piston & adjuster assy. (rear disc brake)	2B588	Plate (indicator mounting instrument cluster)	10B978
Piston & pin assy. (trans. front band servo)	7A164	Plate (instrument cluster back)	10848
Piston & rod (carb. air valve dampener)	9H578	Plate (instrument cluster control mounting)	10A860
Piston & seal assy. (trans. reverse band servo)	7D189	Plate (instrument cluster switch opening cover)	10A862
Pivot (carb. venturi valve)	9A928	Plate (instrument cluster trim)	10A861
Pivot (headlamp cover hinge)	13B019	Plate (instrument cluster warning lights)	10A944
Planet (trans. forward)	7A398	Plate (P/S control valve cap adapter)	3-3712
Planet assy. (trans. reverse)	7D006	Plate (P/S pump pressure)	3D590
Plate (A/C blower motor mounting)	19833	Plate (P/S pump retainer end)	3D589
Plate (A/C evaporator core)	19D736	Plate (radio speaker mounting front)	18963
Plate (battery hold down anchor)	10B678	Plate (rear axle bumper mounting)	5K842
Plate & bolt assy. (A/C evap. case mtg.)	19A586	Plate (rear axle differential clutch)	4214, 4A325, 4945
Plate (brake shoe anchor pin guide)	2028		
Plate (carb. air by-pass)	9A972		
Plate (C.B. radio mike brake retaining)	18B825	Plate (rear axle differential clutch spring preload)	4A326
Plate (carb. air distribution)	9F553		
Plate (carb. choke)	9545	Plate (rear axle differential gear clutch)	4947
Plate (carb. piston accelerator pump)	9528	Plate (rear brake backing)	2211-2
Plate (carb. throttle)	9585	Plate (rear brake shoe support)	2028
Plate (clutch release equalizer bracket mounting)	7B588	Plate (rear bumper arm anchor)	17B772
Plate (driveshaft flange lock)	4693	Plate (rear disc brake caliper anchor)	2B582-3
Plate (EGR valve hole)	9G496	Plate (rear frame side)	5A007



BUY IT NOW!

Click Here To Order

PayPal

Discover

MasterCard

VISA

1973/79
LINCOLN-MERCURY CARS

ALPHABETICAL INDEX CHASSIS PARTS 21

INDEX

PART NAME	GROUP NUMBER	PART NAME	GROUP NUMBER
△ Refer to Page 1 of Paint Section			
P — Cont'd		P — Cont'd	
Plate (rear spring)	5796-8	Plug (eng. cylinder head exhaust air supply)	6052
Plate (rear stabilizer bar link mounting bracket)	5B486	Plug (eng. oil pan drain)	6730
Plate (rear stabilizer bar stud mounting)	5A775	Plug (eng. oil pump relief valve)	6666,
Plate (rear suspension bumper striker)	5K845		6A616
Plate (rear view outside mirror remote control)	17B733	Plug (eng. valve rocker arm shaft)	6572
Plate (speedo. mounting)	17289	Plug (exhaust air supply pump relief valve)	9C429
Plate (starter motor brush end)	11049	Plug (exhaust manifold)	9G458
Plate (steering column shroud clip retainer)	3L525	Plug (fuel pump rocker arm pin hole)	9A360
Plate (trans. clutch internal & external spline)	7B164	Plug (heater case to core)	18C636
Plate (trans. clutch pressure)	7B066	Plug (P/S control valve reaction control spring)	3A512-3
Plate (trans. column shift selector bellcrank mounting)	7E046	Plug (starter motor lever)	11K168
Plate (trans. control valve lower body end)	7-7014	Plug (steering gear housing oil filler)	3538
Plate (trans. engine rear)	7007	Plug (trans. oil pan drain)	7A010
Plate (trans. floor pan gearshift lever opening cover)	7B233	Plug (trans. shift control adjusting hole)	7C147
Plate (trans. gearshift stop)	7C206	Plunger (eng. oil pump relief valve)	6674
Plate (trans. gearshift tube bracket)	7E417	Plunger (trans. column shift selector lever)	7361
Plate (trans. main control cover & lower valve body separating)	7734	Plunger (trans. manual control valve detent)	7-7607
Plate (trans. main control lower valve body)	7729	Plunger (windshield wiper switch)	17A522
Plate (trans. main control upper valve body front)	7A396	Plunger assy. (starter motor)	11393
Plate (trans. main control upper valve body rear)	7A393	Pointer (eng. timing)	6023
Plate (trans. main control valve body separating)	7A008	Points kit (starter motor contact)	11134
Plate (trans. oil pressure regulator body separating)	7A142	Positioner assy. (carb. throttle)	9S553
Plate (trans. output shaft thrust washer)	7B256	Potentiometer assy. (carb. throttle)	9B989
Plate (trans. parking rod guide)	7D419	Post (starter motor contact)	11176
Plate (trans. parking rod support)	7D414	Potentiometer (light switch)	11691
Plate (trans. selector lever opening)	7B233	Power steering installation kit)	3A634-5
Plate (trans. shift control mounting)	7E046	Processor assy. (eng. electronic control)	12A650
Plate (trans. throttle pressure booster stop)	7E336	Pulley (alternator)	10344
Plate (water by-pass orifice)	8K517	Pulley (belt idler)	8679
Plate (window regulator switch)	14523-4	Pulley (parking brake cable)	2804
Plate (window regulator switch cover)	14A020	Pulley (parking brake equalizer lever)	2K758
Plate assy. (A/C register)	19C876	Pulley (P/S pump)	3A733
Plate assy. (clutch release)	7B517	Pulley (water pump)	8509
Plate assy. (eng. insulator support front)	6A068	Pulley assy. (belt idler)	6B209,
Plate assy. (heater air mixing)	18A545		8678
Plate assy. (heater housing air inlet)	18A493	Pulley assy. (eng. crankshaft)	6312
Plate assy. (rear lamp reflector)	13A569	Pulley assy. (eng. crankshaft outer)	6A312
Plate assy. (speed control bracket)	9C809	Pulley assy. (eng. tensioner)	6K254
Plate assy. (trans. engine rear)	7007	Pulley assy. (exhaust air supply pump)	9B447
Plate & bushing (P/S pump)	3D643	Pump (carb. discharge nozzle)	9A574
Plate & bushing (starter motor brush end)	11049	Pump (trans. front oil)	7A103
Plate & switch assy. (windshield wiper motor)	17B583	Pump (windshield washer)	17664
Plug (carb. flange)	9522	Pump assy. (eng. oil)	6600
Plug (carb. fuel filter-retainer)	9A540	Pump assy. (exhaust air supply thermactor)	9A486
Plug (carb. jet channel)	9E515	Pump assy. (fuel)	9350
Plug (carb. venturi valve pivot)	9A929	Pump assy. (P/S)	3A674
Plug (deceleration valve sealing)	9P706	Pump assy. (water)	8501,
Plug (EGR cooler manifold)	9H453		8505
Plug (eng.)	6026		8591
Plug (eng. camshaft rear bearing)	6266		9400
		Q	
		Quadrant assy. (heater control)	18K309



BUY IT NOW!

Click Here To Order



COPYRIGHT © 1986 — FORD MOTOR — DEARBORN, MICHIGAN COMPANY

New Issue

ALPHABETICAL INDEX CHASSIS PARTS 1973/79
LINCOLN—MERCURY CARS

INDEX

PART NAME	GROUP NUMBER	PART NAME	GROUP NUMBER
△ Refer to Page 1 of Paint Section			
R		R — Cont'd	
Race (trans. converter stator clutch inner & outer)	7947	Reinforcement (trans. shifter shaft dash panel opening)	7E404
Race (trans. front clutch sun gear thrust bearing)	7-7549	Reinforcement assy. (front fender top rear)	16B010-1
Race (trans. output shaft thrust bearing)	7A387	Reinforcement assy. (headlamp cover hinge)	13C050
Race (trans. overrunning clutch inner)	7D171	Relay (automatic headlamp dimmer)	13A025
Race (trans. overrunning clutch outer)	7B456	Relay (back window defroster)	13A253
Race (trans. primary sun gear thrust)	7D336	Relay assy. (C.B. radio speaker)	18B821
Race (trans. sun gear thrust bearing)	7D235	Relay (warning lamp indicator)	10C838, 10B926
Radiator	8005	Relay assy. (A.T.C. box)	19D613
Radio receiver kit	18805	Relay assy. (back window heat control)	18C641
Radiator relocation kit	8A468	Relay assy. (eng. electronic control)	12A646
Rail (front fender outside finish)	16250-1	Relay assy. (fuel pump)	9345
Rail (trans. gear shifter)	7240	Relay assy. (horn)	11450
Rail (trans. third & fourth speed shifter)	7241	Relay assy. (horn selector)	13A942
Ratchet (rear brake adjusting screw)	2K415-6	Relay assy. (carb. choke control)	9C972
Rectifier assy. (alternator)	10304	Relay assy. (parking lamp)	13A253
Reducers	△	Relay assy. (carb. choke control)	9C972
Refinishing materials	△	Relay assy. (trailer light)	13A435
Reflector (rear)	13A568	Relay assy. (turn indicator)	13A366
Reflector flare kit	19E500	Relay assy. (turning lamp)	15A217
Reflector assy. (rear panel)	13A565	Relay assy. (window regulator safety)	14677
Refrigerant compressor oil	△	Relay assy. (window regulator seat & top neutral control)	14512
Refrigerant line replacement & repair parts	19C705-8	Relay & bracket assy. (speed control)	9C792
Register (heater air)	18C366	Repair kit (governor & control)	7D217
Register assy. (heater air distribution)	18C306	Reservoir (automatic air leveler)	5K756
Regulator (alternator)	10316	Reservoir (brake master cylinder)	2K478
Regulator (emission vacuum control)	9F490	Reservoir (radiator coolant recover)	8A080
Regulator (instrument cluster voltage)	10804	Reservoir (windshield washer)	17618
Regulator (trans. oil pressure)	7A139	Reservoir assy. (air horn vacuum supply)	13A888
Regulator assy. (speed control)	9D757	Reservoir assy. (E.G.R. vacuum)	9E453
Reinforcement (auxiliary fuel tank cover)	9B187	Reservoir assy. (headlamp cover control)	13A185
Reinforcement (eng. rear support)	6A042	Reservoir assy. (P/S pump oil)	3A697
Reinforcement (front bumper center)	17A792	Reservoir assy. (radiator coolant recovery)	8A080
Reinforcement (front bumper guard)	17A928	Reservoir & bracket assy. (automatic air leveler)	5A847
Reinforcement (front bumper stone deflector)	17A956	Reservoir & bracket assy. (speed control vacuum)	9E799
Reinforcement (front fender apron & radiator support upper)	16B048	Resistor (radio receiver suppression choke)	18A952
Reinforcement (front fender battery mounting)	16B168	Resistor assy. (A/C switch to blower motor)	18591
Reinforcement (front fender apron lower)	16060	Resistor assy. (alternator voltage ballast)	10632
Reinforcement (front fender apron to radiator support center)	16142	Resistor assy. (alternator warning lamp shunt)	10C346
Reinforcement (front fender top front lower)	16D186-7	Resistor assy. (heater switch to blower motor)	18591
Reinforcement (fuel tank filler pipe flange)	9B211	Resistor assy. (light switch rheostat)	11691
Reinforcement (hood latch on hood)	16A603	Resistor wire (charge indicator)	10A665
Reinforcement (parking lamp body)	13A206	Resonator (muffler outlet pipe)	5A289
Reinforcement (radiator grille-lower)	8A078	Restrictor (carb. jet)	9A521
Reinforcement (radiator grille opening panel)	8A284	Restrictor (exhaust manifold)	5F208
Reinforcement (radio antenna grounding)	18A954	Restrictor (vacuum gauge tube)	9G323
Reinforcement (rear bumper center)	17A914	Restrictor assy. (distributor vacuum)	12A225
Reinforcement (rear bumper guard)	17B876	Retainer (A/C register)	19B635
Reinforcement (rear bumper mounting bracket)	17B862-3	Retainer (accelerator cable)	9E728
Reinforcement (rear bumper isolator mounting)	17C901	Retainer (alternator front bearing)	10A355
Reinforcement (speed control cowl mounting)	9E824	Retainer (auxiliary fuel tank filler pipe)	9A108
Reinforcement (trans. shift shaft)	7E403	Retainer (auxiliary tank filler pipe)	9B171
		Retainer (backup lamp switch)	15A541



BUY IT NOW!

Click Here To Order



INDEX

PART NAME	GROUP NUMBER	PART NAME	GROUP NUMBER
△ Refer to Page 1 of Paint Section			
R — Cont'd		R — Cont'd	
Retainer (brake master cylinder check)	2K505	Retainer (hood release cable)	16930
Retainer (brake master cylinder filler cap)	2B245	Retainer (hood weatherstrip front)	16K774
Retainer (brake master cylinder piston)	2L081	Retainer (instrument cluster jewel)	10D838
Retainer (brake master cylinder piston spring)	2174	Retainer (jack handle)	17A038
Retainer (brake master cylinder push rod)	2B224	Retainer (outside moulding)	16A027-9,
Retainer (brake master cylinder secondary piston spring return)	2185		16A076,
Retainer (brake pedal shaft)	2B277		16232,
Retainer (brake shoe spring)	2066		16234,
Retainer (brake tube support)	2A407		16249
Retainer (carb. accelerator pump check valve)	9575	Retainer (parking brake cable rear)	2A709
Retainer (carb. accelerator pump check valve disc)	9575	Retainer (parking brake equalizer lever return spring)	2A616
Retainer (carb. accelerator pump spring)	9599	Retainer (parking brake front)	2K865
Retainer (carb. air cleaner to carb.)	9B672	Retainer (parking brake lever boot)	2A714
Retainer (carb. choke shaft assy.)	9J548	Retainer (parking brake lever pin)	2106
Retainer (carb. choke rod)	9B527	Retainer (parking brake ratchet bar locking spring)	2786
Retainer (carb. choke lever)	9B527	Retainer (parking brake spring)	2A787
Retainer (carb. fast idle cam rod)	9599	Retainer (parking lamp)	13220-1
Retainer (carb. fast idle seal)	9B501	Retainer (P/S hose insulator mounting)	3A610
Retainer (carb. float bowl vent)	9B527	Retainer (rear axle driving pinion bearing)	4669
Retainer (carb. float lever shaft)	9599	Retainer (rear axle driving pinion pilot bearing)	4627
Retainer (carb. idle jet)	9575	Retainer (rear axle wheel bearing outer)	4020
Retainer (carb. pump lifter seal)	9599	Retainer (rear brake adjusting hole cover)	2A092
Retainer (carb. pump operating lever)	9568	Retainer (rear bumper anchor plate)	17B774
Retainer (clutch release equalizer bar)	7B545	Retainer (rear bumper stone deflector)	17879
Retainer (clutch release equalizer shaft bearing)	7A629	Retainer (rear lamp lens)	13539
Retainer (crankcase emission filter)	9E628	Retainer (rear lamp wiring)	13A506
Retainer (defroster damper door)	18A482	Retainer (rear spring center mounting insulator)	5736
Retainer (eng. crankcase vent grommet)	6A892	Retainer (rear spring insulator)	5A545
Retainer (eng. front support insulator)	6048	Retainer (rear view outside mirror adjusting cable)	17B721
Retainer (eng. rear support)	6054	Retainer (rear view outside mirror plate)	17A476
Retainer (eng. valve spring)	6514	Retainer (rear wheel bearing inner)	1180
Retainer (exterior lamp bezel)	15B444	Retainer (rear window regulator control switch)	14A125
Retainer (exterior lamp warning buzzer)	13C046	Retainer (side marker lamp)	15A210
Retainer (front bumper anchor plate)	17B988	Retainer (speedo. case grommet)	17305
Retainer (front bumper stone end deflector)	17D816	Retainer (speedo. driven gear)	17292
Retainer (front fender apron to bumper shield)	16B174	Retainer (starter motor drive stop)	11222
Retainer (front shock absorber bumper)	18A086	Retainer (starter motor drive stop ring)	11223
Retainer (front suspension lower arm bolt joint seal)	3A027	Retainer (steering column clamp)	3D672
Retainer (front suspension spring)	3B025	Retainer (steering column collar)	3E739
Retainer (front suspension spring guide)	3A198	Retainer (steering column release lever)	3E543
Retainer (front wheel hub grease)	1190	Retainer (steering column shroud)	3D695
Retainer (fuel tank filler pipe)	9008	Retainer (steering column tube)	3499
Retainer (headlamp cover guide rod)	13B109	Retainer (steering column upper bearing)	3B610
Retainer (headlamp cover hinge)	13A166	Retainer (steering wheel emblem)	3F652-3
Retainer (headlamp switch)	11A669	Retainer (steering wheel hub emblem)	3650
Retainer (heater core)	18A573,	Retainer (steering wheel hub trim)	3656
	18C583,	Retainer (trans. clutch piston spring)	7A527
	18B689	Retainer (trans. column shift selector lever plunger)	7A347
Retainer (hood assist)	16C748	Retainer (trans. control selector dial)	7D462
Retainer (hood bumper)	16B844	Retainer (trans. direct drive clutch piston spring)	7A527
Retainer (hood hinge housing)	16C766	Retainer (trans. gearshift lever boot)	7262
Retainer (hood insulator)	16776		
Retainer (hood pad on cowl)	16A669		



BUY IT NOW!

Click Here To Order






LINCOLN—MERCURY CARS

INDEX

PART NAME	GROUP NUMBER	PART NAME	GROUP NUMBER
△ Refer to Page 1 of Paint Section			
R — Cont'd		R — Cont'd	
Retainer (trans. gearshift lever spring)	7A111	Ring (steering column shroud)	3D694
Retainer (trans. governor primary spring)	7A190	Ring (steering shaft lower bearing retainer)	3F543
Retainer (trans. governor secondary valve spring)	7D218	Ring (trans. converter inertia)	7L142
Retainer (trans. input shaft bearing)	7050	Ring (trans. forward clutch piston spring)	7D256
Retainer (trans. intermediate band servo lever)	7E206	Ring (trans. front clutch piston disc spring)	7-7563
Retainer (trans. kickdown lever spring)	7C176	Ring (trans. governor housing seal)	7D011
Retainer (trans. overrunning clutch spring)	7D191	Ring (trans. rear clutch drum oil seal)	7D5011
Retainer (trans. parking pawl toggle lever pin)	7-7326	Ring (trans. synchronizer blocking)	7107
Retainer (trans. parking pawl toggle return spring)	7-7323	Ring (wheel trim)	1210
Retainer (trans. rear band servo spring)	7B264	Ring assy. (alternator rotor slip)	10328
Retainer (trans. reverse clutch piston ball check)	7E080	Ring assy. (headlamp adjusting)	13118-9
Retainer (trans. reverse clutch spring)	7D406	Ring kit (P/S gear valve spool retaining)	3757
Retainer (trans. selector indicator cable)	7E299, 7E300	Ring set (eng. piston complete)	6149
Retainer (trans. servo spring screw adjustment)	7L103	Ring set (eng. piston partial)	6148
Retainer (trans. shift selector lever guide plate)	7C448	Rivet (starter motor lever)	11139
Retainer (trans. throttle pressure booster)	7E396	Rod (carb. accelerator pump link to overtravel lever)	9B542
Retainer (trans. throttle pressure booster stop plate & screw)	7E396	Rod (carb. air by-pass plate)	9A973
Retainer (warning indicator panel lamp)	10918	Rod (carb. choke control)	9A599
Retainer (water pump bearing)	8K537	Rod (carb. choke diaphragm control)	9S567
Retainer (wheel cover ornament)	1141	Rod (carb. choke pulldown)	9E524
Retainer (wheel nut wrench)	17A038	Rod (carb. choke shaft)	9A766
Retainer (windshield washer pump)	17B609	Rod (carb. enrichment metering)	9A993
Retainer (windshield wiper arm)	17A504	Rod (carb. fast idle)	9598
Retainer (windshield wiper motor bushing)	17C436	Rod (carb. fast idle cam)	9D530
Retainer (windshield wiper switch)	17C491	Rod (carb. float bowl vent)	9A515
Retainer (wiring grommet)	14613	Rod (carb. metering)	9A526
Retainer assy. (exterior lamp)	15B447	Rod (carb. metering vacuum)	9B915
Retainer assy. (jack front)	17A116	Rod (carb. secondary throttle control)	9C504
Retainer assy. (radio revr.-C.B.)	18K862	Rod (clutch pedal to equalizer bar)	7521
Retainer assy. (rear axle drive pinion)	4614-21	Rod (eng. valve push)	6565
Retainer assy. (starter override reset switch)	11A140	Rod (frame stabilizer)	5C024
Retainer assy. (steering column lower bearing)	3D681	Rod (hood support)	16826
Retainer assy. (steering column support)	3B741	Rod (ignition switch actuating)	11A599
Retainer assy. (trans. control cable bracket)	7F136	Rod (parking brake equalizer)	2628
Retainer assy. (turning lamp)	15A210	Rod (parking brake release handle)	2A760
Retainer assy. (wiring harness)	14A163, 14A282	Rod (speed control pivot arm to carb.)	9C740
Retainer repair kit (brake shoe hold down)	2A094	Rod (trans. column shift bellcrank lever to trans.)	7A024
Ring (alternator rotor slip)	10328	Rod (trans. floor shift selector lock control)	7E330
Ring (alternator rotor stop)	10370	Rod (trans. gear selector valve)	7C389
Ring (baffle cover)	13A378	Rod (trans. gearshift)	7326
Ring (brake master cylinder cup)	2A174	Rod (trans. gearshift connecting)	7B112, 7326, 7328,
Ring (eng. crankshaft thrust)	6334	Rod (trans. intermediate band servo piston)	7D023
Ring (eng. oil pump intermediate shaft retainer)	6629	Rod (trans. kickdown control)	7A187
Ring (fuel tank sender retainer locking)	9A307	Rod (trans. lock control)	7E330
Ring (headlamp bulb retaining)	13015	Rod (trans. manual control selector connecting)	7326
Ring (P/S gear cylinder cap retaining)	3A746	Rod (trans. parking lever actuating)	7A232
Ring (separator assy. fuel vapor)	9A307	Rod (trans. parking pawl)	7A122
Ring (starter motor)	11K093	Rod (trans. parking pawl actuating)	7D411
Ring (starter motor collar retaining)	11222	Rod (trans. parking pawl toggle)	7A232
Ring (starter motor drive stop)	11222	Rod (trans. throttle control valve)	7A380



BUY IT NOW!

Click Here To Order



1973/79 LINCOLN-MERCURY CARS

**GENERAL
INFORMATION**

MASTER PARTS AND ACCESSORIES ILLUSTRATION CATALOG

FORD PARTS and SERVICE DIVISION

**FORM FPS 8095-B
GENERAL INSTRUCTIONS**

This Lincoln-Mercury Master Parts Catalog contains parts illustrations for Bobcat, Capri, Comet, Cougar, Lincoln, Mark IV, Mark V, Mercury, Meteor, Monarch, Montego, Versailles and Zephyr for model years 1973/ for U.S. and Canadian built vehicles.

Use this illustration catalog in conjunction with the text catalog, form FPS 8095-A.

For greater convenience this catalog is divided into specific sections, such as brakes, front suspension, engine, transmission, etc. For example, FRONT SUSPENSION appears in Section 30, STEERING in Section 35, Rear Axle in Section 40, etc.

A separate catalog which contains the text or descriptive information for the same model years is available as form FPS 8095-A. The text catalog is divided into sections also and like parts are shown under similar section numbers in both the text and illustration catalogs.

A listing of Lincoln-Mercury group numbers and their related section numbers appears in the General Information Section of the text catalog, form FPS 8095-A.

Illustrations contain group numbers only, therefore, it is necessary to refer to the group within the text catalog listing for complete applicable part number.

The driver's side is the left hand side of the vehicle and determines whether such parts as fenders, lamps, etc. are right or left hand.

Model year application is indicated by showing the first year followed by a diagonal line to indicate continued usage in all subsequent years until the insertion of the last year of usage, which is shown after the diagonal line. If no diagonal line is shown the part is applicable only to the year shown.

Example -

- 73/ indicates part used 1973 through subsequent models.
- 73/74 indicates part used 1973 through 1974 model years.
- 73 indicates part used 1973 model year only.

For Certification Label Data, Catalog Model Codes and Body Type Codes refer to the General Information Section of the Text Catalog, form FPS 8095-A.

The various car lines and their body types are identified by vehicle catalog codes and body type codes in the text catalog as follows -

VEHICLE	CATALOG CODE	BODY TYPE DESCRIPTION	BODY TYPE CODE
Bobcat	L	Convertible	76
Capri	J		
Comet	P	Four door hardtop	57
Cougar	F	Four door pillared hardtop	53
Lincoln-Continental	D	Four door sedan	54
Mark IV, V	K	Four door station wagon	71
Mercury	A		
Meteor	Y	Three door sedan	64
Monarch	G	Two door hardtop (fastback roof)	63
Montego	C	Two door hardtop (formal roof)	65
Versailles	V	Two door sedan	62
Zephyr	P	Two door pillared hardtop	66
		Two door station wagon	73
OTHER COMMON SYMBOLS			
*	Identifies Motorcraft Sales Number		
#	Indicates some form of Identification		
★	Indicates Not Serviced - must be procured locally		



BUY IT NOW!

Click Here To Order



COPYRIGHT © 1980

FORD MOTOR
COMPANY

—DEARBORN, MICHIGAN

NEW ISSUE

**1973/79
LINCOLN-MERCURY CARS**
CHASSIS PARTS ILLUSTRATION INDEX

Following is a general index of the major groups shown in the Chassis and Body Parts Illustration Sections. For more specific information refer to the Index appearing in front of the Section number listed below.

MAJOR GROUP	• TABBED DIVIDER TITLE	INDEX SECTION
Accelerator Linkage	Fuel	90
Accessories	Listed in their appropriate groups as identified in this index	
Air Cleaner	Fuel	90
Air Conditioner	Air Conditioner Defogger-Defroster (Back Window), Heater, Radios, Shock Absorbers	180
Alternator	Generator, Starter, Distributor	103
Automatic Transmission	Automatic Transmission	A70
Axle (Rear)	Rear Axle, Driveshaft	40
Battery	Generator, Alternator, Starter, Distributor	103
Brake System	Wheel, Brakes	10
Bumpers	Bumpers, Jack, Mirror, Washer, Wipers	175
Carburetor	Fuel	90
Carrier (Wheel)	Wheels, Brakes	10
Catalytic Converter	Refer to Text Catalog	
Clutch	Standard Transmission, Clutch	70
Cooling System	Cooling, Grille	80
Defogger-Defroster (Back Window)	Air Conditioner Defogger-Defroster (Back Window), Heater, Radios, Shock Absorbers	180
Distributor	Generator, Alternator, Starter, Distributor	103
Driveshaft	Rear Axle, Driveshaft	40
Electrical	Generator, Alternator, Starter, Distributor	103
Electrical	Lamps, Wiring	130
Engine	Engine	60
Exhaust System	Refer to text catalog	
Fan	Cooling, Grille	80
Fenders	Fender, Hood	160
Frame	Frames, Mufflers, Springs	50
Front Suspension	Front Suspension, Steering	30
Fuel Pump	Fuel	90
Fuel System	Fuel	90
Fuel Tank	Fuel	90
Gearshift Lever	Standard Transmission, Clutch	70
Grille	Cooling, Grille	80
Heater	Air Conditioner Defogger-Defroster (Back Window), Heater, Radios, Shock Absorbers	180
Hood	Fender, Hood	160
Horn	Lamps, Wiring	130
Jack	Bumpers, Jack, Mirror, Washer, Wipers	175
Instrument Cluster	Generator, Alternator, Starter, Distributor	103
Lamps	Lamps, Wiring	130
Lever (Gearshift)	Standard Transmission, Clutch	70
Manifolds	Fuel	90
Mirrors	Bumpers, Jack, Mirror, Washer, Wipers	175
Muffler	Refer to text catalog	
Pump (Fuel)	Fuel	90
Pump (Water)	Cooling, Grille	80
Radiator	Cooling, Grille	80
Radios	Air Conditioner Defogger-Defroster (Back Window), Heater, Radios, Shock Absorbers	180
Rear Axle	Rear Axle, Driveshaft	40

ogs only



BUY IT NOW!

Click Here To Order



1973/79 LINCOLN-MERCURY CARS

**GENERAL
INFORMATION**

3

CHASSIS PARTS ILLUSTRATION INDEX - cont'd.

MAJOR GROUP	• TABBED DIVIDER TITLE	INDEX SECTION
Shock Absorbers	Air Conditioner Defogger-Defroster (Back Window), Heater, Radios, Shock Absorbers	180
Springs	Frames, Mufflers, Springs	50
Stabilizer (Front)	Front Suspension, Steering	30
Stabilizer (Rear)	Frames, Mufflers, Springs	50
Starter	Generator, Alternator, Starter, Distributor	103
Steering	Front Suspension, Steering	30
Suspension (Front)	Front Suspension, Steering	30
Tank (Fuel)	Fuel	90
Transfer Case	Standard Transmission, Clutch	70
Transmission (Automatic)	Automatic Transmission	A70
Transmission (Standard)	Standard Transmission Clutch	70
Voltage Regulator	Generator, Alternator, Starter, Distributor	103
Water Pump	Cooling, Grille	80
Wheels	Wheels, Brakes	10
Windshield Washer, Wiper	Bumpers, Jack, Mirror, Washer, Wipers	175
Wiring	Lamps, Wiring	130

BODY PARTS ILLUSTRATION INDEX

Auxiliary Seat	Seat	600
Back Window	Back, Luggage Compartment	400
Body Sheet Metal	Body Sheet Metal	Body Sheet Metal
Console	Body Front, Floor	000
Door (Front)	Body Sides, Quarter	230
Door (Rear)	Body Sides, Quarter	230
Exterior Trim	Refer to Exterior Moulding Section of text catalog	
Floor Sheet Metal	Body Sheet Metal	Body Sheet Metal
Folding Top	Back, Luggage Compartment	400
Front Door	Body Sides, Quarter	230
Front Seat	Seat	600
Front Seat Track	Seat	600
Glove Compartment	Body Front, Floor	000
Instrument Panel	Body Front, Floor	000
Interior Trim	Interior Trim	Interior Trim
Liftgate	Back, Luggage Compartment	400
Luggage Compartment Door Mechanism	Back, Luggage Compartment	400
Luggage Compartment Trim	Interior Trim	Interior Trim
Package Tray	Interior Trim	Interior Trim
Quarter Window	Body Sides, Quarter	230
Rear Door	Body Sides, Quarter	230
Rear Seat	Seat	600
Roof	Back, Luggage Compartment	400
Sheet Metal	Body Sheet Metal	Body Sheet Metal
Tailgate	Back, Luggage Compartment	400
Top (Folding)	Back, Luggage Compartment	400
Track (Front Seat)	Seat	600
Vent System	Body Front, Floor	000
Windshield	Body Front, Floor	000

atalogs only.

COPYRIGHT © 1980

FORD MOTOR
COMPANY

—DEARBORN, MICHIGAN

NEW ISSUE



BUY IT NOW!

Click Here To Order



1973/79
LINCOLN-MERCURY CARS

PROCEDURE FOR USING CATALOG

There are three ways of finding part numbers.

1. By Part Name
2. By Illustration
3. By Identification

Should an inquiry be received for a fuel pump for a 1973 Lincoln-Continental -

BY PART NAME

- A. Refer to the Chassis Alphabetical Index in the Text Catalog (form FPS 8095-A).
- B. Refer to the alphabetical nomenclature and find the part name "Pump assy. (fuel)".
The group number listed is 9350.
- C. Refer to group number 9350 and locate the year 1973 in the "YEAR" column. Find the vehicle catalog code "D" (for Lincoln-Continental) in the "MODEL/RESTRICTIONS" column.
- D. The part number shown is D3VY 9350-B.

BY ILLUSTRATION

- A. Refer to this Illustration Catalog to the divider marked "FUEL".
- B. Refer to the index immediately behind the divider and find the illustration titles for 1973 D (Lincoln-Continental).
- C. Under the heading "D (LINCOLN)" find the "Fuel pump and filter" illustration for the 1973 Lincoln-Continental.
- D. Refer to the illustration designated (on page 6 of Illustration Section 90.1) and find the group number for the fuel pump assy. to be 9350.
- E. Refer to group number 9350 in the Text Catalog (form FPS 8095-A) and locate 1973 in the "YEAR" column. Find the vehicle catalog code "D" (for Lincoln-Continental) in the "MODEL/RESTRICTIONS" column.
- F. The part number shown is D3VY 9350-B.

BY IDENTIFICATION

Certain parts and most major assemblies are identified with a part number shown on an attached tag or plate or on the part itself. Reference to identification numbers is made throughout the catalog and cross reference charts are included in some sections to provide immediate knowledge of the service part number when the identification number is known. All identification information other than charts will be preceded by the symbol (#).
IMPORTANT - Identification tags and plates must be retained with the part or assembly with which they are originally supplied.

HOW TO ORDER PARTS

When ordering parts, always give the complete part number.

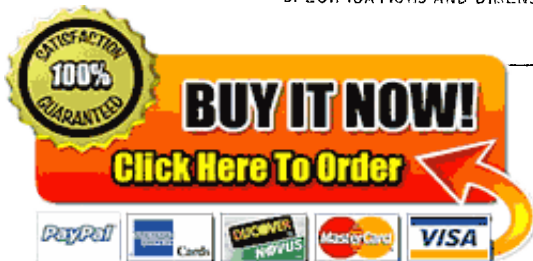
In the event the part number is not known, the following information should be included.

- A. Complete description of part.
- B. Model year and body type.
- C. Dimension, number of teeth, size, etc., if possible rough sketch of part.
- D. If applicable to engine, transmission, axle, steering, etc., specify type, such as 400 cubic inch, Automatic Transmission, Power Steering, etc.
- E. Advise how shipment is to be made - Freight, Express, Air, Parcel Post.

EXPLANATION OF SYMBOL ★

- ★ Symbol indicates part is not supplied for service due to the following:
- a. Part is superseded and replaced as indicated in the description column of the text catalog.
 - b. Part can be improvised as indicated in the description column of text catalog.
 - c. Due to its function there would be little or no demand.

NOTE - ALWAYS REFER TO THE DESCRIPTION COLUMN OF THE TEXT CATALOG FOR POSSIBLE SUBSTITUTION, OR FOR MATERIAL SPECIFICATIONS AND DIMENSIONS WHICH MAY BE HELPFUL IN OBTAINING THE NON-SERVICED PART LOCALLY.



1973/79 LINCOLN-MERCURY CARS

ILLUSTRATION
SECTION 10

A

INDEX

THIS ILLUSTRATION INDEX INCLUDES THE FOLLOWING MAJOR GROUPS-

BRAKES

WHEELS

TITLE	SECTION	PAGE	ILLUS. NO.
-------	---------	------	------------

1973

A (MERCURY)

BRAKES			
Brake pedal	20	1	P-10130
Disc brake system	20	1	P-10130
Brake assy. - disc front	20.1	1	P-8754
Brake assy. - drum rear	20.1	4	P-3380
Brake cylinder assy. - rear	20.1	6	P-2284
Brake booster installation	20	1	P-10130
Brake master cylinder assy.	20.1	7	P-5518
Brake skid control system (Sure-Track)	20	2	P-8943
Parking brake system	20	3	P-6721
WHEELS			
Front wheel and related parts	20.1	1	P-8754
Hub cap and wheel cover - refer to text group 1130			
Rear wheel and related parts	10	1	P-1780
Spare wheel and jack storage - body types 53, 57 and 65	175.2	4	P-10192
- body type 71	175.2	4	P-10191

C (MONTEGO)

BRAKES			
Brake and clutch pedals	75	5	P-8812
Disc brake system	20	4	P-8811
Brake assy. - disc front	20.1	1	P-8754
Brake assy. - drum rear	20.1	5	P-3703
Brake cylinder assy. - rear	20.1	6	P-2284
Brake booster installation	20	4	P-8811
Brake master cylinder assy.	20.1	7	P-5518
Parking brake system	20	5	P-8584
WHEELS			
Front wheel and related parts	20.1	1	P-8754
Hub cap and wheel cover - refer to text group 1130			
Jack and spare wheel parts - body type 71	175.2	5	P-9974
- body types 53, 63 and 65	175.2	5	P-9975
Rear wheel and related parts	10	1	P-3118

D (LINCOLN)

BRAKES			
Brake pedal	20	6	P-8945
Disc brake system	20	6	P-8945
Brake assy. - disc front	20.1	1	P-8754
Brake assy. - drum rear	20.1	6	P-9574
Brake cylinder assy. - rear	20.1	6	P-2284
Brake booster installation	20	6	P-8945
Brake master cylinder assy.	20.1	7	P-5518
Brake skid control system (Sure-Track)	20	7	P-7681
Parking brake system - vacuum release	20	8	P-7311
WHEELS			
Front wheel and related parts	20.1	1	P-8754
Hub cap and wheel cover - refer to text group 1130			
Rear wheel and related parts	10	1	P-1780
Spare wheel and jack storage	175.2	3	P-7756



BUY IT NOW!

Click Here To Order



© 1982

FORD MOTOR
COMPANY

DEARBORN, MICHIGAN

NEW ISSUE



B

**ILLUSTRATION
SECTION 10**
**1973/79
LINCOLN-MERCURY CARS**
INDEX

TITLE

SECTION | PAGE | ILLUS. NO.

1973
F (COUGAR)
BRAKES

Brake and clutch pedals	75	4	P-8144
Disc brake system	20	9	P-8141
Brake assy. - disc front	20.1	2	P-6218
Brake assy. - drum rear	20.1	5	P-3703
Brake cylinder assy. - rear	20.1	7	P-3906
Brake booster installation	20	9	P-8141
Brake master cylinder assy.	20.1	7	P-5518
Parking brake system	20	10	P-8143

WHEELS

Front wheel and related parts	20.1	2	P-6218
Hub cap and wheel cover - refer to text group 1130			
Rear wheel and related parts	10	1	P-3118
Spare wheel and jack storage	175.2	2	P-7063

J (CAPRI)
BRAKES

Brake and clutch pedals --M/T	75	3	P-7550
Brake pedals--A/T	75	6	P-7551
Disc brake system	20	11	P-7545
Brake assy. - disc front	20.1	3	P-7553
Brake assy. - drum rear	10	3	P-7555
Brake cylinder assy. - rear	10	3	P-7555
Brake booster installation	20.1	9	P-12394
Brake master cylinder assy.	20.1	8	P-7543
Parking brake system	20	12	P-10547

WHEELS

Front wheel and related parts	10	2	P-7554
Rear wheel and related parts	10	3	P-7555
Spare wheel and jack storage - jack parts	175.2	1	P-7584
- tool kit	175.2	1	P-7583
- spare wheel parts	175.2	8	P-11720

K (MARK IV)
BRAKES

Brake pedal	20	13	P-8819
Disc brake system	20	13	P-8819
Brake assy. - disc front	20.1	1	P-8754
Brake assy. - drum rear	20.1	4	P-3380
Brake cylinder assy. - rear	20.1	6	P-2284
Brake booster installation	20	13	P-8819
Brake master cylinder assy.	20.1	7	P-5518
Brake skid control system (Sure-Track)	20	14	P-8820
Parking brake system - vacuum release	20	15	P-8682

WHEELS

Front wheel and related parts	20.1	1	P-8754
Hub cap and wheel cover - refer to text group 1130			
Rear wheel and related parts	10	1	P-1780
Spare wheel and jack storage	175.2	3	P-9973

P (COMET)
BRAKES

Brake and clutch pedals	75	1	P-8822
Drum brake system	20	16	P-8813
Brake assy. - front and rear	20.1	5	P-3703
Brake cylinder assy. - front and rear	20.1	7	P-3906
Brake master cylinder assy.	20.1	7	P-5518
	20	17	P-6882


BUY IT NOW!
Click Here To Order


1973/79 LINCOLN-MERCURY CARS

ILLUSTRATION
SECTION 10

C

INDEX

TITLE	SECTION	PAGE	ILLUS. NO.
-------	---------	------	------------

1973

P (COMET) - cont'd.

WHEELS

Hub cap and wheel cover - refer to text group 1130			
Spare wheel and jack storage	175.2	2	P-6925
Wheels and related parts	10	1	P-3118

Y (METEOR)

BRAKES

Brake pedal	20	1	P-10130
Disc brake system	20	1	P-10130
Brake assy. - disc front	20.1	1	P-8754
Brake assy. - drum rear	20.1	4	P-3380
Brake cylinder assy. - rear	20.1	6	P-2284
Brake booster installation	20	1	P-10130
Brake master cylinder assy.	20.1	7	P-5518
Parking brake system	20	3	P-6721

WHEELS

Front wheel and related parts	20.1	1	P-8754
Hub cap and wheel cover - refer to text group 1130			
Rear wheel and related parts	10	1	P-1780
Spare wheel and jack storage - body types 53,57 and 65	175.2	4	P-10192
- body type 71	175.2	4	P-10191

1974

A (MERCURY)

BRAKES

Brake pedal	20	1	P-10130
Disc brake system	20	1	P-10130
Brake assy. - disc front	20.1	1	P-8754
Brake assy. - drum rear	20.1	4	P-3380
Brake cylinder assy. - rear	20.1	6	P-2284
Brake booster installation	20	1	P-10130
Brake master cylinder assy.	20.1	7	P-5518
Brake skid control system (Sure-Track)	20	2	P-8943
Parking brake system	20	3	P-6721

WHEELS

Front wheel and related parts	20.1	1	P-8754
Hub cap and wheel cover - refer to text group 1130			
Rear wheel and related parts	10	1	P-1780
Spare wheel and jack storage - body types 53,57 and 65	175.2	6	P-11106
- body type 71	175.2	4	P-10191

C (MONTEGO)

BRAKES

Brake and clutch pedals	75	5	P-8812
Disc brake system	20	4	P-8811
Brake assy. - disc front	20.1	1	P-8754
Brake assy. - drum rear	20.1	5	P-3703
Brake cylinder assy. - rear	20.1	6	P-2284
Brake booster installation	20	4	P-8811
Brake master cylinder assy.	20.1	7	P-5518
Parking brake system	20	5	P-8584

WHEELS

Front wheel and related parts	20.1	1	P-8754
Hub cap and wheel cover - refer to text group 1130			
Jack and spare wheel parts - body type 71	175.2	7	P-11108
- body types 53 and 65	175.2	5	P-9975
related parts	10	1	P-3118



BUY IT NOW!

Click Here To Order



COPYRIGHT © 1982

FORD MOTOR
COMPANY

—DEARBORN, MICHIGAN

NEW ISSUE

INDEX

TITLE | SECTION | PAGE | ILLUS. NO.

1974

D (LINCOLN)

BRAKES

Brake pedal	20	18	P-10913
Disc brake system	20	18	P-10913
Brake assy. - disc front	20.1	1	P-8754
Brake assy. - drum rear	20.1	11	P-11435
Brake cylinder assy. - rear	20.1	6	P-2284
Brake booster installation (hydro-booster)	20	18	P-10913
Brake booster installation (vacuum booster)	20	6	P-8945
Brake master cylinder assy.	20.1	7	P-5518
Brake skid control system (Sure-Track)	20	7	P-7681
Parking brake system - vacuum release	20	8	P-7311

WHEELS

Front wheel and related parts	20.1	1	P-8754
Hub cap and wheel cover - refer to text group 1130			
Rear wheel and related parts	10	1	P-1780
Spare wheel and jack storage	175.2	6	P-11105

F (COUGAR)

BRAKES

Brake and clutch pedals	75	5	P-8812
Disc brake system	20	4	P-8811
Brake assy. - disc front	20.1	1	P-8754
Brake assy. - drum rear	20.1	5	P-3703
Brake cylinder assy. - rear	20.1	6	P-2284
Brake booster installation	20	4	P-8811
Brake master cylinder assy.	20.1	7	P-5518
Parking brake system	20	5	P-8584

WHEELS

Front wheel and related parts	20.1	1	P-8754
Hub cap and wheel cover - refer to text group 1130			
Rear wheel and related parts	10	1	P-3118
Spare wheel and jack storage	175.2	5	P-9975

J (CAPRI)

BRAKES

Brake and clutch pedals--M/T	75	3	P-7550
Brake pedals--A/T	75	6	P-7551
Disc brake system	20	11	P-7545
Brake assy. - disc front	20.1	3	P-7553
Brake assy. - drum rear	10	3	P-7555
Brake cylinder assy. - rear	10	3	P-7555
Brake booster installation	20.1	9	P-12394
Brake master cylinder assy.	20.1	8	P-7543
Parking brake system	20	12	P-10547

WHEELS

Front wheel and related parts	10	2	P-7554
Rear wheel and related parts	10	3	P-7555
Spare wheel and jack storage - jack parts	175.2	1	P-7584
- tool kit	175.2	1	P-7583
- spare wheel parts	175.2	8	P-11720

K (MARK IV)

BRAKES

Brake pedal	20	13	P-8819
Disc brake system	20	13	P-8819
Brake assy. - disc front	20.1	1	P-8754
Brake assy. - drum rear	20.1	4	P-3380
Brake cylinder assy. - rear	20.1	6	P-2284
Brake booster installation	20	13	P-8819
Brake master cylinder assy.	20.1	7	P-5518
Brake skid control system (Sure-Track)	20	14	P-8820



BUY IT NOW!

Click Here To Order



**1973/79
LINCOLN-MERCURY CARS**

ILLUSTRATION
SECTION 10

E

INDEX

TITLE	SECTION	PAGE	ILLUS. NO.
1974			
K (MARK IV) cont'd.			
BRAKES - cont'd.			
Parking brake system - vacuum release	20	15	P-8682
WHEELS			
Front wheel and related parts	20.1	1	P-8754
Hub cap and wheel cover - refer to text group 1130			
Rear wheel and related parts	10	1	P-1780
Spare wheel and jack storage	175.2	3	P-9973
L (BOBCAT)			
BRAKES			
Brake and clutch pedals	75	8	P-7933
Disc brake system	20	20	P-10894
Brake assy. - disc front	20.1	10	P-10860
Brake assy. - drum rear	20.1	5	P-3703
Brake cylinder assy. - rear	20.1	7	P-3906
Brake master cylinder assy.	20.1	7	P-5518
Parking brake system	20	21	P-10861
WHEELS			
Hub cap and wheel cover - refer to text group 1130			
Rear wheel and related parts	10	1	P-3118
Spare wheel and jack storage	175.2	7	P-8407
Wheels and wheel covers	10	4	P-10853
P (COMET)			
BRAKES			
Brake and clutch pedals	75	1	P-8822
Disc brake system	20	19	P-10916
Brake assy. - disc front	20.1	13	P-12803
Brake assy. - drum rear	20.1	5	P-3703
Brake cylinder assy. - rear	20.1	7	P-3906
Brake master cylinder assy.	20.1	7	P-5518
Drum brake system	20	16	P-8813
Brake assy. - front and rear	20.1	5	P-3703
Brake cylinder assy. - front and rear	20.1	7	P-3906
Brake master cylinder assy.	20.1	7	P-5518
Parking brake system	20	17	P-6882
WHEELS			
Hub cap and wheel cover - refer to text group 1130			
Spare wheel and jack storage	175.2	2	P-6925
Wheels and related parts	10	1	P-3118
Y (METEOR)			
BRAKES			
Brake pedal	20	1	P-10130
Disc brake system	20	1	P-10130
Brake assy. - disc front	20.1	1	P-8754
Brake assy. - drum rear	20.1	4	P-3380
Brake cylinder assy. - rear	20.1	6	P-2284
Brake booster installation	20	1	P-10130
Brake master cylinder assy.	20.1	7	P-5518
Parking brake system	20	3	P-6721
WHEELS			
Front wheel and related parts	20.1	1	P-8754
Hub cap and wheel cover - refer to text group 1130			
Rear wheel and related parts	10	1	P-1780
Spare wheel and jack storage - body types 53, 57 and 65	175.2	6	P-11106
- body type 71	175.2	4	P-10191



BUY IT NOW!

Click Here To Order

Copyright © 1982

FORD MOTOR
COMPANY

— DEARBORN, MICHIGAN

NEW ISSUE



INDEX

TITLE

SECTION

PAGE

ILLUS. NO.

1975

A (MERCURY)

BRAKES			
Brake pedal	20	1	P-10130
Disc brake system - rear drum	20	1	P-10130
Disc brake system - rear disc	20	34	P-12121
Brake assy. - disc front	20.1	1	P-8754
Brake assy. - disc rear	20.1	12	P-11906
Brake assy. - drum rear	20.1	4	P-3380
Brake cylinder assy. - rear drum	20.1	6	P-2284
Brake booster installation	20	1	P-10130
Brake master cylinder assy.	20.1	7	P-5518
Brake skid control system (Sure-Track)	20	29	P-12115
Parking brake system - rear drum brakes	20	3	P-6721
Parking brake system - rear disc brakes	20	27	P-11920
WHEELS			
Front wheel and related parts	20.1	1	P-8754
Hub cap and wheel cover - refer to text group 1130			
Rear wheel and related parts - drum	10	1	P-1780
Rear wheel and related parts - disc	20.1	12	P-11906
Spare wheel and jack storage - body types 53,57 and 65	175.2	6	P-11106
- body type 71	175.2	4	P-10191

C (MONTEGO)

BRAKES			
Brake and clutch pedals	75	5	P-8812
Disc brake system	20	4	P-8811
Brake assy. - disc front	20.1	1	P-8754
Brake assy. - drum rear	20.1	5	P-3703
Brake cylinder assy. - rear	20.1	6	P-2284
Brake booster installation	20	4	P-8811
Brake master cylinder assy.	20.1	7	P-5518
Parking brake system	20	24	P-11917
WHEELS			
Front wheel and related parts	20.1	1	P-8754
Hub cap and wheel cover - refer to text group 1130			
Jack and spare wheel parts - body type 71	175.2	7	P-11108
- body types 53 and 65	175.2	5	P-9975
Rear wheel and related parts	10	1	P-3118

D (LINCOLN)

BRAKES			
Brake pedal	20	18	P-10913
Disc brake system - rear drum	20	18	P-10913
Disc brake system - rear disc	20	35	P-12123
Brake assy. - disc front	20.1	1	P-8754
Brake assy. - disc rear	20.1	12	P-11906
Brake assy. - drum rear	20.1	11	P-11435
Brake cylinder assy. - rear drum	20.1	6	P-2284
Brake booster installation (hydro-booster)	20	18	P-10913
Brake master cylinder assy.	20.1	7	P-5518
Brake skid control system (Sure-Track)	20	30	P-12116
Parking brake system - vacuum release - rear drum brakes	20	8	P-7311
Parking brake system - vacuum release - rear disc brakes	20	22	P-11914
WHEELS			
Front wheel and related parts	20.1	1	P-8754
Hub cap and wheel cover - refer to text group 1130			
Rear wheel and related parts - disc	20.1	12	P-11906
Rear wheel and related parts - drum	10	1	P-1780
Jack storage	175.2	6	P-11105

**BUY IT NOW!**

Click Here To Order



**1973/79
LINCOLN-MERCURY CARS**

**ILLUSTRATION
SECTION 10**

G

INDEX

TITLE	SECTION	PAGE	ILLUS. NO.
-------	---------	------	------------

1975

F (COUGAR)

BRAKES			
Brake and clutch pedals	75	5	P-8812
Disc brake system	20	4	P-8811
Brake assy. - disc front	20.1	1	P-8754
Brake assy. - drum rear	20.1	5	P-3703
Brake cylinder assy. - rear	20.1	6	P-2284
Brake booster installation	20	4	P-8811
Brake master cylinder assy.	20.1	7	P-5518
Parking brake system	20	24	P-11917
WHEELS			
Front wheel and related parts	20.1	1	P-8754
Hub cap and wheel cover - refer to text group 1130			
Rear wheel and related parts	10	1	P-3118
Spare wheel and jack storage	175.2	5	P-9975

G (MONARCH)

BRAKES			
Brake and clutch pedals	75	9	P-11622
Disc brake system - rear drum	20	31	P-12118
Disc brake system - rear disc	20	37	P-12600
Brake assy. - disc front	20.1	13	P-12803
Brake assy. - drum rear	20.1	5	P-3703
Brake cylinder assy. - rear	20.1	7	P-3906
Brake master cylinder assy.	20.1	7	P-5518
Brake skid control system (Sure-Track)	20	38	P-12601
Parking brake system - rear drum brakes	20	26	P-11919
Parking brake system - rear disc brakes	20	39	P-12602
WHEELS			
Hub cap and wheel cover - refer to text group 1130			
Spare wheel and jack stowage	175.2	8	P-12239
Wheels and wheel covers	10	4	P-10853

J (CAPRI) - REFER TO 1976

K (MARK IV)

BRAKES			
Brake pedal	20	42	P-12122
Disc brake system	20	28	P-12114
Brake assy. - disc front	20.1	1	P-8754
Brake assy. - disc rear	20.1	12	P-11906
Brake booster installation	20	28	P-12114
Brake master cylinder assy.	20.1	7	P-5518
Brake skid control system (Sure-Track)	20	28	P-12114
Parking brake system - vacuum release	20	23	P-11915
WHEELS			
Front wheel and related parts	20.1	1	P-8754
Hub cap and wheel cover - refer to text group 1130			
Rear wheel and related parts	20.1	12	P-11906
Spare wheel and jack storage	175.2	3	P-9973

L (BOBCAT)

BRAKES			
Brake and clutch pedals	75	10	P-12634
Disc brake system	20	36	P-12117
Brake assy. - disc front	20.1	10	P-10860
Brake assy. - drum rear	20.1	5	P-3703
Brake cylinder assy. - rear	20.1	7	P-3906
Brake master cylinder assy.	20.1	7	P-5518
Parking brake system	20	21	P-10861

100% SATISFACTION GUARANTEED

BUY IT NOW!

Click Here To Order

PayPal American Express Discover MasterCard VISA

Copyright © 1982

FORD MOTOR COMPANY

DEARBORN, MICHIGAN

NEW ISSUE

H

ILLUSTRATION
SECTION 101973/79
LINCOLN-MERCURY CARS

INDEX

TITLE

SECTION

PAGE

ILLUS. NO.

1975

L (BOBCAT) cont'd.

WHEELS

Hub cap and wheel cover - refer to text group 1130			
Rear wheel and related parts	10	1	P-3118
Spare wheel and jack storage	175.2	7	P-8407
Wheels and wheel covers	10	4	P-10853

P (COMET)

BRAKES

Brake and clutch pedals	75	1	P-8822
Disc brake system	20	33	P-12120
Brake assy. - disc front	20.1	13	P-12803
Brake assy. - drum rear	20.1	5	P-3703
Brake cylinder assy. - rear	20.1	7	P-3906
Brake master cylinder assy.	20.1	7	P-5518
Drum brake system	20	32	P-12119
Brake assy. - front and rear	20.1	5	P-3703
Brake cylinder assy. - front and rear	20.1	7	P-3906
Brake master cylinder assy.	20.1	7	P-5518
Parking brake system	20	25	P-11918

WHEELS

Hub cap and wheel cover - refer to text group 1130			
Spare wheel and jack storage	175.2	2	P-6925
Wheels and related parts	10	1	P-3118

Y (METEOR)

BRAKES

Brake pedal	20	1	P-10130
Disc brake system - rear drum	20	1	P-10130
Disc brake system - rear disc	20	34	P-12121
Brake assy. - disc front	20.1	1	P-8754
Brake assy. - disc rear	20.1	12	P-11906
Brake assy. - drum rear	20.1	4	P-3380
Brake cylinder assy. - rear drum	20.1	6	P-2284
Brake booster installation	20	1	P-10130
Brake master cylinder assy.	20.1	7	P-5518
Brake skid control system (Sure-Track)	20	29	P-12115
Parking brake system - rear drum brakes	20	3	P-6721
Parking brake system - rear disc brakes	20	27	P-11920

WHEELS

Front wheel and related parts	20.1	1	P-8754
Hub cap and wheel cover - refer to text group 1130			
Rear wheel and related parts	10	1	P-1780
Rear wheel and related parts - disc	20.1	12	P-11906
Spare wheel and jack storage - body types 53, 57 and 65	175.2	6	P-11106
- body type 71	175.2	4	P-10191

1976

A (MERCURY)

BRAKES

Brake pedal	20	1	P-10130
Disc brake system - rear drum	20	1	P-10130
Disc brake system - rear disc	20	34	P-12121
Brake assy. - disc front	20.1	1	P-8754
Brake assy. - disc rear	20.1	12	P-11906
Brake assy. - drum rear	20.1	4	P-3380
Brake cylinder assy. - rear drum	20.1	6	P-2284
Brake booster installation	20	1	P-10130
Brake master cylinder assy.	20.1	7	P-5518
Brake skid control system (Sure-Track)	20	29	P-12115
Parking brake system - rear drum brakes	20	3	P-6721
Parking brake system - rear disc brakes	20	27	P-11920



BUY IT NOW!

Click Here To Order



1973/79 LINCOLN-MERCURY CARS

**ILLUSTRATION
SECTION 10**

J

INDEX

TITLE	SECTION	PAGE	ILLUS. NO.
-------	---------	------	------------

1976

A (MERCURY) - cont'd.

WHEELS			
Front wheel and related parts	20.1	1	P-8754
Hub cap and wheel cover - refer to text group 1130			
Rear wheel and related parts - drum	10	1	P-1780
Rear wheel and related parts - disc	20.1	12	P-11906
Spare wheel and jack storage - body types 53, 57 and 65	175.2	6	P-11106
- body type 71	175.2	4	P-10191

C (MONTEGO)

BRAKES			
Disc brake system	20	4	P-8811
Brake assy. - disc front	20.1	1	P-8754
Brake assy. - drum rear	20.1	5	P-3703
Brake cylinder assy. - rear	20.1	6	P-2284
Brake booster installation	20	4	P-8811
Brake master cylinder assy.	20.1	7	P-5518
Parking brake system	20	24	P-11917
WHEELS			
Front wheel and related parts	20.1	1	P-8754
Hub cap and wheel cover - refer to text group 1130			
Jack and spare wheel parts - body type 71	175.2	7	P-11108
- body types 53 and 65	175.2	5	P-9975
Rear wheel and related parts	10	1	P-3118
Wheel and wheel covers	10	4	P-12785

D (LINCOLN)

BRAKES			
Brake pedal	20	18	P-10913
Disc brake system - rear drum	20	18	P-10913
Disc brake system - rear disc	20	35	P-12123
Brake assy. - disc front	20.1	1	P-8754
Brake assy. - disc rear	20.1	12	P-11906
Brake assy. - drum rear	20.1	11	P-11435
Brake cylinder assy. - rear drum	20.1	6	P-2284
Brake booster installation (hydro-booster)	20	18	P-10913
Brake master cylinder assy.	20.1	7	P-5518
Brake skid control system (Sure-track)	20	30	P-12116
Parking brake system - vacuum release - rear drum brakes	20	40	P-12793
Parking brake system - vacuum release - rear disc brakes	20	22	P-11914
WHEELS			
Front wheel and related parts	20.1	1	P-8754
Hub cap and wheel cover - refer to text group 1130			
Rear wheel and related parts - disc	20.1	12	P-11906
Rear wheel and related parts - drum	10	1	P-1780
Spare wheel and jack storage	175.2	6	P-11105

F (COUGAR)

BRAKES			
Disc brake system	20	4	P-8811
Brake assy. - disc front	20.1	1	P-8754
Brake assy. - drum rear	20.1	5	P-3703
Brake cylinder assy. - rear	20.1	6	P-2284
Brake booster installation	20	4	P-8811
Brake master cylinder assy.	20.1	7	P-5518
Parking brake system	20	24	P-11917



BUY IT NOW!

Click Here To Order



COPYRIGHT © 1982 FORD MOTOR COMPANY -DEARBORN, MICHIGAN

NEW ISSUE



K

ILLUSTRATION
SECTION 101973/79
LINCOLN-MERCURY CARS

INDEX

TITLE

SECTION

PAGE

ILLUS. NO.

1976

F (COUGAR) - cont'd.

WHEELS

Front wheel and related parts	20.1	1	P-8754
Hub cap and wheel cover - refer to text group 1130			
Rear wheel and related parts	10	1	P-3118
Spare wheel and jack storage	175.2	5	P-9975
Wheels and wheel covers	10	4	P-12785

G (MONARCH)

BRAKES

Brake and clutch pedals	75	9	P-11622
Disc brake system - rear drum	20	31	P-12118
Disc brake system - rear disc	20	38	P-12601
Brake assy. - disc front	20.1	13	P-12803
Brake assy. - disc rear	20.1	12	P-11906
Brake assy. - drum rear	20.1	5	P-3703
Brake cylinder assy. - rear	20.1	7	P-3906
Brake master cylinder assy.	20.1	7	P-5518
Brake skid control system (Sure-track)	20	37	P-12600
Parking brake system - rear drum brakes	20	26	P-11919
Parking brake system - rear disc brakes	20	39	P-12602

WHEELS

Hub cap and wheel cover - refer to text group 1130			
Spare wheel and jack stowage	175.2	8	P-12239
Wheels and related parts	10	4	P-10853

J (CAPRI)

BRAKES

Brake and clutch pedals--M/T	75	3	P-7550
Brake pedals--A/T	75	6	P-7551
Disc brake system	20	11	P-7545
Brake assy. - disc front	20.1	3	P-7553
Brake assy. - drum rear	20.1	15	P-14465
Brake cylinder assy. - rear	10	3	P-7555
Brake booster installation	20.1	9	P-12394
Brake master cylinder assy.	20.1	8	P-7543
Parking brake system	20	46	P-14211

WHEELS

Front wheel and related parts	10	2	P-7554
Rear wheel and related parts	10	3	P-7555
Spare wheel and jack storage	175.2	1	P-7584
- tool kit	175.2	1	P-7583
- spare wheel parts	175.2	8	P-11720

K (MARK IV)

BRAKES

Brake pedal	20	42	P-12122
Disc brake system	20	42	P-12122
Brake assy. - disc front	20.1	1	P-8754
Brake assy. - disc rear	20.1	12	P-11906
Brake booster installation	20	42	P-12122
Brake master cylinder assy.	20.1	7	P-5518
Brake skid control system (Sure-Track)	20	28	P-12114
Parking brake system - vacuum release	20	23	P-11915

WHEELS

Front wheel and related parts	20.1	1	P-8754
Hub cap and wheel cover - refer to text group 1130			
Rear wheel and related parts	20.1	12	P-11906
Spare wheel and jack storage	175.2	3	P-9973
overs	10	5	P-13067

**BUY IT NOW!**

Click Here To Order



**1973/79
LINCOLN-MERCURY CARS**

**ILLUSTRATION
SECTION 10**

L

INDEX

TITLE	SECTION	PAGE	ILLUS. NO.
-------	---------	------	------------

1976

L (BOBCAT)

BRAKES			
Brake and clutch pedals	75	10	P-12634
Disc brake system	20	36	P-12117
Brake assy. - disc front	20.1	10	P-10860
Brake assy. - drum rear	20.1	5	P-3703
Brake cylinder assy. - rear	20.1	7	P-3906
Brake master cylinder assy.	20.1	7	P-5518
Parking brake system	20	21	P-10861

WHEELS			
Hub cap and wheel cover - refer to text group 1130			
Rear wheel and related parts	10	1	P-3118
Spare wheel and jack storage	175.2	7	P-8407
Wheels and wheel covers	10	4	P-10853

P (COMET)

BRAKES			
Brake and clutch pedals	75	1	P-8822
Disc brake system	20	33	P-12120
Brake assy. - disc front	20.1	13	P-12803
Brake assy. - drum rear	20.1	5	P-3703
Brake cylinder assy. - rear	20.1	7	P-3906
Brake master cylinder assy.	20.1	7	P-5518
Parking brake system	20	41	P-12794

WHEELS			
Hub cap and wheel cover - refer to text group 1130			
Spare wheel and jack storage	175.2	2	P-6925
Wheels and related parts	10	4	P-10853

Y (METEOR)

BRAKES			
Brake pedal	20	1	P-10130
Disc brake system - rear drum	20	1	P-10130
Disc brake system - rear disc	20	34	P-12121
Brake assy. - disc front	20.1	1	P-8754
Brake assy. - disc rear	20.1	12	P-11906
Brake assy. - drum rear	20.1	4	P-3380
Brake cylinder assy. - rear drum	20.1	6	P-2284
Brake booster installation	20	1	P-10130
Brake master cylinder assy.	20.1	7	P-5518
Brake skid control system (Sure-Track)	20	29	P-12115
Parking brake system - rear drum brakes	20	3	P-6721
Parking brake system - rear disc brakes	20	27	P-11920

WHEELS			
Front wheel and related parts	20.1	1	P-8754
Hub cap and wheel cover - refer to text group 1130			
Rear wheel and related parts	10	1	P-1780
Rear wheel and related parts - disc	20.1	12	P-11906
Spare wheel and jack storage - body types 53, 57 and 65	175.2	6	P-11106
- body type 71	175.2	4	P-10191

COPYRIGHT © 1982 FORD MOTOR COMPANY — DEARBORN, MICHIGAN

NEW ISSUE

100% SATISFACTION GUARANTEED

BUY IT NOW!

Click Here To Order

PayPal American Express Discover MasterCard VISA

INDEX

TITLE

SECTION

PAGE

ILLUS. NO.

1977

A (MERCURY)

BRAKES

Brake pedal	20	1	P-10130
Disc brake system - rear drum	20	1	P-10130
Disc brake system - rear disc	20	34	P-12121
Brake assy. - disc front	20.1	1	P-8754
Brake assy. - disc rear	20.1	12	P-11906
Brake assy. - drum rear	20.1	4	P-3380
Brake cylinder assy. - rear drum	20.1	6	P-2284
Brake booster installation	20	1	P-10130
Brake master cylinder assy.	20.1	7	P-5518
Parking brake system - rear drum brakes	20	3	P-6721
Parking brake system - rear disc brakes	20	27	P-11920

WHEELS

Front wheel and related parts	20.1	1	P-8754
Hub cap and wheel cover - refer to text group 1130			
Rear wheel and related parts - drum	10	1	P-1780
Rear wheel and related parts - disc	20.1	12	P-11906
Spare wheel and jack storage - body types 53, 57 and 65	175.2	6	P-11106
- body type 71	175.2	4	P-10191
Wheels and related parts	10	5	P-13067

D (LINCOLN)

BRAKES

Brake pedal	20	18	P-10913
Disc brake system - rear drum	20	18	P-10913
Disc brake system - rear disc	20	35	P-12123
Brake assy. - disc front	20.1	1	P-8754
Brake assy. - disc rear	20.1	12	P-11906
Brake assy. - drum rear	20.1	11	P-11435
Brake cylinder assy. - rear drum	20.1	6	P-2284
Brake booster installation (hydro-booster)	20	18	P-10913
Brake master cylinder assy.	20.1	7	P-5518
Brake skid control system (Sure-track)	20	30	P-12116
Parking brake system - vacuum release - rear drum brakes	20	40	P-12793
Parking brake system - vacuum release - rear disc brakes	20	22	P-11914

WHEELS

Front wheel and related parts	20.1	1	P-8754
Hub cap and wheel cover - refer to text group 1130			
Rear wheel and related parts - disc	20.1	12	P-11906
Rear wheel and related parts - drum	10	1	P-1780
Spare wheel and jack storage	175.2	6	P-11105

F (COUGAR)

BRAKES

Disc brake system	20	4	P-8811
Brake assy. - disc front	20.1	1	P-8754
Brake assy. - drum rear	20.1	5	P-3703
Brake cylinder assy. - rear	20.1	6	P-2284
Brake booster installation	20	4	P-8811
Brake master cylinder assy.	20.1	7	P-5518
Parking brake system	20	24	P-11917

WHEELS

Front wheel and related parts	20.1	1	P-8754
Hub cap and wheel cover - refer to text group 1130			
Jack and spare wheel parts - body type 71	175.2	7	P-11108
- body types 53 and 65	175.2	5	P-9975
Rear wheel and related parts	10	1	P-3118
Wheels and related parts	10	4	P-12785

**BUY IT NOW!**

Click Here To Order



**1973/79
LINCOLN-MERCURY CARS**

**ILLUSTRATION
SECTION 10**

N

INDEX

TITLE	SECTION	PAGE	ILLUS. NO.
-------	---------	------	------------

1977

G (MONARCH)

BRAKES			
Brake and clutch pedals	75	9	P-11622
Disc brake system - rear drum	20	31	P-12118
Disc brake system - rear disc	20	38	P-12601
Brake assy. - disc front	20.1	13	P-12803
Brake assy. - disc rear	20.1	12	P-11906
Brake assy. - drum rear	20.1	5	P-3703
Brake cylinder assy. - rear	20.1	7	P-3906
Brake master cylinder assy.	20.1	7	P-5518
Parking brake system - rear drum brakes	20	43	P-13485
Parking brake system - rear disc brakes	20	43	P-13485
WHEELS			
Hub cap and wheel cover - refer to text group 1130			
Spare wheel and jack storage	175.2	8	P-12239
Wheels and related parts	10	4	P-10853

J (CAPRI)

BRAKES			
Brake and clutch pedals--M/T	75	3	P-7550
Brake pedals--A/T	75	6	P-7551
Disc brake system	20	11	P-7545
Brake assy. - disc front	20.1	3	P-7553
Brake assy. - drum rear	20.1	15	P-14465
Brake cylinder assy. - rear	10	3	P-7555
Brake booster installation	20.1	9	P-12394
Parking brake system	20	12	P-10547
WHEELS			
Front wheel and related parts	10	2	P-7554
Rear wheel and related parts	10	3	P-7555
Spare wheel and jack storage - jack parts	175.2	1	P-7584
- tool kit	175.2	1	P-7583
- spare wheel parts	175.2	8	P-11720

K (MARK V)

BRAKES			
Brake pedal	20	42	P-12122
Disc brake system	20	42	P-12122
Brake assy. - disc front	20.1	1	P-8754
Brake assy. - disc rear	20.1	12	P-11906
Brake booster installation	20	42	P-12122
Brake master cylinder assy.	20.1	7	P-5518
Brake skid control system (Sure-Track)	20	28	P-12114
Parking brake system - vacuum release	20	23	P-11915
WHEELS			
Front wheel and related parts	20.1	1	P-8754
Hub cap and wheel cover - refer to group 1130			
Rear wheel and related parts	20.1	12	P-11906
Spare wheel and jack storage	175.2	3	P-9973
Wheels and wheel covers	10	5	P-13067

L (BOBCAT) "Before 6/27/77" For units built "From 6/27/77" refer to 1978

BRAKES			
Brake and clutch pedals	75	10	P-12634
Disc brake system	20	36	P-12117
Brake assy. - disc front	20.1	10	P-10860
Brake assy. - drum rear	20.1	5	P-3703
Brake cylinder assy. - rear	20.1	7	P-3906
Brake master cylinder assy.	20.1	7	P-5518
Brake booster installation	20	21	P-10861

COPYRIGHT © 1982 FORD MOTOR COMPANY -- DEARBORN, MICHIGAN

NEW ISSUE

100% SATISFACTION GUARANTEED

BUY IT NOW!

Click Here To Order

PayPal American Express Discover MasterCard VISA

INDEX

TITLE

SECTION

PAGE

ILLUS. NO.

1977

L (BOBCAT) - cont'd. - "Before 6/27/77" For units built "From 6/27/77" refer to 1978

WHEELS

Hub cap and wheel cover - refer to text group 1130			
Rear wheel and related parts	10	1	P-3118
Spare wheel and jack storage	175.2	7	P-8407
Wheels and wheel covers	10	4	P-10853

P (COMET)

BRAKES

Brake and clutch pedals	75	1	P-8822
Disc brake system	20	33	P-12120
Brake assy. - disc front	20.1	13	P-12803
Brake assy. - drum rear	20.1	5	P-3703
Brake cylinder assy. - rear	20.1	7	P-3906
Brake master cylinder assy.	20.1	7	P-5518
Parking brake system	20	41	P-12794

WHEELS

Hub cap and wheel cover - refer to text group 1130			
Spare wheel and jack storage	175.2	2	P-6925
Wheels and related parts	10	4	P-10853

V (VERSAILLES)

BRAKES

Disc brake system - rear disc	20	38	P-12601
Brake assy. - disc front	20.1	13	P-12803
Brake assy. - disc rear	20.1	12	P-11906
Brake master cylinder assy.	20.1	7	P-5518
Parking brake system - rear disc brakes	20	43	P-13485

WHEELS

Hub cap and wheel cover - refer to text group 1130			
Spare wheel and jack storage	175.2	8	P-12239
Wheels and related parts	10	4	P-10853

1978

A (MERCURY)

BRAKES

Brake pedal	20	1	P-10130
Disc brake system - rear drum	20	1	P-10130
Disc brake system - rear disc	20	34	P-12121
Brake assy. - disc front	20.1	1	P-8754
Brake assy. - disc rear	20.1	12	P-11906
Brake assy. - drum rear	20.1	4	P-3380
Brake cylinder assy. - rear drum	20.1	6	P-2284
Brake booster installation	20	1	P-10130
Brake master cylinder assy.	20.1	7	P-5518
Parking brake system - rear drum brakes	20	3	P-6721
Parking brake system - rear disc brakes	20	27	P-11920

WHEELS

Front wheel and related parts	20.1	1	P-8754
Hub cap and wheel cover - refer to text group 1130			
Rear wheel and related parts - drum	10	1	P-1780
Rear wheel and related parts - disc	20.1	12	P-11906
Spare wheel and jack storage - body types 53 and 65	175.2	6	P-11106
- body type 71	175.2	4	P-10191
Wheels and related parts	10	5	P-13067

**BUY IT NOW!**

Click Here To Order



1973/79 LINCOLN-MERCURY CARS

ILLUSTRATION
SECTION 10

Q

INDEX

TITLE

SECTION

PAGE

ILLUS. NO.

1978

D (LINCOLN)

BRAKES

Brake pedal	20	18	P-10913
Disc brake system - rear drum	20	18	P-10913
Disc brake system - rear disc	20	35	P-12123
Brake assy. - disc front	20.1	1	P-8754
Brake assy. - disc rear	20.1	12	P-11906
Brake assy. - drum rear	20.1	11	P-11435
Brake cylinder assy. - rear drum	20.1	6	P-2284
Brake booster installation (hydro-booster)	20	18	P-10913
Brake master cylinder assy.	20.1	7	P-5518
Brake skid control system (Sure-track)	20	30	P-12116
Parking brake system - vacuum release - rear drum brakes	20	40	P-12793
Parking brake system - vacuum release - rear disc brakes	20	22	P-11914

WHEELS

Front wheel and related parts	20.1	1	P-8754
Hub cap and wheel cover - refer to text group 1130			
Rear wheel and related parts - disc	20.1	12	P-11906
Rear wheel and related parts - drum	10	1	P-1780
Spare wheel and jack storage	175.2	6	P-11105

F (COUGAR)

BRAKES

Disc brake system	20	4	P-8811
Brake assy. - disc front	20.1	1	P-8754
Brake assy. - drum rear	20.1	5	P-3703
Brake cylinder assy. - rear	20.1	6	P-2284
Brake booster installation	20	4	P-8811
Brake master cylinder assy.	20.1	7	P-5518
Parking brake system	20	24	P-11917

WHEELS

Front wheel and related parts	20.1	1	P-8754
Hub cap and wheel cover - refer to text group 1130			
Jack and spare wheel parts - body types 53 and 65	175.2	5	P-9975
Rear wheel and related parts	10	1	P-3118
Wheel and wheel covers	10	4	P-12785

G (MONARCH)

BRAKES

Brake and clutch pedals	75	9	P-11622
Disc brake system - rear drum	20	31	P-12118
Disc brake system - rear disc	20	38	P-12601
Brake assy. - disc front	20.1	13	P-12803
Brake assy. - disc rear	20.1	12	P-11906
Brake assy. - drum rear	20.1	5	P-3703
Brake cylinder assy. - rear	20.1	7	P-3906
Brake master cylinder assy.	20.1	7	P-5518
Parking brake system - rear drum brakes	20	43	P-13485
Parking brake system - rear disc brakes	20	43	P-13485

WHEELS

Hub cap and wheel cover - refer to text group 1130			
Spare wheel and jack storage	175.2	8	P-12239
Wheels and related parts	10	4	P-10853

COPYRIGHT © 1982

FORD MOTOR
COMPANY

—DEARBORN, MICHIGAN

NEW ISSUE



BUY IT NOW!

Click Here To Order



R

ILLUSTRATION
SECTION 101973/79
LINCOLN-MERCURY CARS

INDEX

TITLE	SECTION	PAGE	ILLUS. NO.
1978			
J (CAPRI)			
BRAKES			
Brake and clutch pedals - M/T	75	3	P-7550
Brake pedals - A/T	75	6	P-7551
Disc brake system	20	11	P-7545
Brake assy. - disc front	20.1	3	P-7553
Brake assy. - drum rear	20.1	15	P-14465
Brake cylinder assy. - rear	10	3	P-7555
Brake booster installation	20.1	9	P-12394
Parking brake system	20	46	P-14211
WHEELS			
Front wheel and related parts	10	2	P-7554
Rear wheel and related parts	10	3	P-7555
Spare wheel and jack storage - jack parts	175.2	1	P-7584
- tool kit	175.2	1	P-7583
- spare wheel parts	175.2	8	P-11720
K (MARK V)			
BRAKES			
Brake pedal	20	42	P-12122
Disc brake system	20	42	P-12122
Brake assy. - disc front	20.1	1	P-8754
Brake assy. - disc rear	20.1	12	P-11906
Brake booster installation	20	42	P-12122
Brake master cylinder assy.	20.1	7	P-5518
Brake skid control system (Sure-track)	20	28	P-12114
Parking brake system - vacuum release	20	23	P-11915
WHEELS			
Front wheel and related parts	20.1	1	P-8754
Hub cap and wheel cover - refer to group 1130			
Rear wheel and related parts	20.1	12	P-11906
Spare wheel and jack storage	175.2	3	P-9973
Wheels and wheel covers	10	5	P-13067
L (BOBCAT)			
BRAKES			
Brake and clutch pedals	75	10	P-12634
Disc brake system	20	36	P-12117
Brake assy. - disc front	20.1	10	P-10860
Brake assy. - drum rear	20.1	5	P-3703
Brake cylinder assy. - rear	20.1	7	P-3906
Brake master cylinder assy.	20.1	7	P-5518
Parking brake system	20	21	P-10861
WHEELS			
Hub cap and wheel cover - refer to text group 1130			
Rear wheel and related parts	10	1	P-3118
Spare wheel and jack storage	175.2	7	P-8407
Wheels and wheel covers	10	4	P-10853
P (ZEPHYR)			
BRAKES			
Brake and clutch pedal	75	11	P-14139
Disc brake system	20	45	P-14142
Brake assy. - disc front	20.1	14	P-14330
Brake assy. - drum rear	20.1	5	P-3703
Brake cylinder assy. - rear	20.1	7	P-3906
Brake master cylinder assy.	20.1	7	P-5518
Parking brake system	20	44	P-14140
WHEELS			
Hub cap and wheel cover - refer to text group 1130			
Spare wheel and jack storage	175.2	10	P-14369
Wheels and related parts	10	4	P-10853

**BUY IT NOW!**

Click Here To Order



1973/79 LINCOLN-MERCURY CARS

ILLUSTRATION
SECTION 10

S

INDEX

TITLE	SECTION	PAGE	ILLUS. NO.
-------	---------	------	------------

1978

V (VERSAILLES)

BRAKES			
Disc brake system - rear disc	20	38	P-12601
Brake assy. - disc front	20.1	13	P-12803
Brake assy. - disc rear	20.1	12	P-11906
Brake master cylinder assy.	20.1	7	P-5518
Parking brake system - rear disc brakes	20	43	P-13485
WHEELS			
Hub cap and wheel cover - refer to text group 1130			
Spare wheel and jack storage	175.2	8	P-12239
Wheels and related parts	10	4	P-10853

1979

A (MERCURY)

BRAKES			
Disc brake system - rear drum	20	48	P-14679
Brake assy. - disc front	20.1	16	P-14674
Brake assy. - drum rear	20.1	5	P-3703
Brake cylinder assy. - rear drum	20.1	6	P-2284
Brake booster installation	20	48	P-14679
Brake master cylinder assy.	20.1	7	P-5518
Parking brake system	20	47	P-14678
WHEELS			
Front wheel and related parts	20.1	16	P-14674
Hub cap and wheel cover - refer to text group 1130			
Rear wheel and related parts - drum	10	1	P-1780
Spare wheel and jack storage - body types 54 and 66	175.2	10	P-14819
- body type 74	175.2	4	P-10191
Wheels and related parts	10	5	P-13067

D (LINCOLN)

BRAKES			
Brake pedal	20	18	P-10913
Disc brake system - rear drum	20	18	P-10913
Disc brake system - rear disc	20	35	P-12123
Brake assy. - disc front	20.1	1	P-8754
Brake assy. - disc rear	20.1	12	P-11906
Brake assy. - drum rear	20.1	11	P-11435
Brake cylinder assy. - rear drum	20.1	6	P-2284
Brake booster installation (hydro-booster)	20	18	P-10913
Brake master cylinder assy.	20.1	7	P-5518
Brake skid control system (Sure-track)	20	30	P-12116
Parking brake system - vacuum release - rear drum brakes	20	40	P-12793
Parking brake system - vacuum release - rear disc brakes	20	51	P-14736
WHEELS			
Front wheel and related parts	20.1	1	P-8754
Hub cap and wheel cover - refer to text group 1130			
Rear wheel and related parts - disc	20.1	12	P-11906
Rear wheel and related parts - drum	10	1	P-1780
Spare wheel and jack storage	175.2	6	P-11105

COPYRIGHT © 1982

FORD MOTOR
COMPANY

— DEARBORN, MICHIGAN

NEW ISSUE



BUY IT NOW!

Click Here To Order



INDEX

TITLE

SECTION

PAGE

ILLUS. NO.

1979

F (COUGAR)

BRAKES

Disc brake system	20	4	P-8811
Brake assy. - disc front	20.1	1	P-8754
Brake assy. - drum rear	20.1	5	P-3703
Brake cylinder assy. - rear	20.1	6	P-2284
Brake booster installation	20	4	P-8811
Brake master cylinder assy.	20.1	7	P-5518
Parking brake system	20	24	P-11917

WHEELS

Front wheel and related parts	20.1	1	P-8754
Hub cap and wheel cover - refer to text group 1130			
Jack and spare wheel parts - body types 53 and 65	175.2	5	P-9975
Rear wheel and related parts	10	1	P-3118
Wheel and wheel covers	10	4	P-12785

G (MONARCH)

BRAKES

Brake and clutch pedals	75	9	P-11622
Disc brake system	20	31	P-12118
Brake assy. - disc front	20.1	13	P-12803
Brake assy. - drum rear	20.1	5	P-3703
Brake cylinder assy. - rear	20.1	7	P-3906
Brake master cylinder assy.	20.1	7	P-5518
Parking brake system	20	43	P-13485

WHEELS

Hub cap and wheel cover - refer to text group 1130			
Spare wheel and jack storage	175.2	8	P-12239
Wheels and related parts	10	4	P-10853

J (CAPRI)

BRAKES

Brake and clutch pedal	75	12	P-14688
Disc brake system	20	45	P-14142
Brake assy. - disc front	20.1	14	P-14330
Brake assy. - drum rear	20.1	5	P-3703
Brake cylinder assy. - rear	20.1	7	P-3906
Brake booster installation	20	45	P-14142
Brake master cylinder assy.	20.1	7	P-5518
Parking brake system	20	49	P-14693

WHEELS

Wheels and related parts	10	4	P-10853
Hub cap and wheel cover - refer to text group 1130			
Spare wheel and jack storage	175.2	7	P-8407

**BUY IT NOW!****Click Here To Order**

1973/79 LINCOLN-MERCURY CARS

ILLUSTRATION
SECTION 10

U

INDEX

TITLE	SECTION	PAGE	ILLUS. NO.
-------	---------	------	------------

1979

K (MARK V)

BRAKES			
Brake pedal	20	42	P-12122
Disc brake system	20	42	P-12122
Brake assy. - disc front	20.1	1	P-8754
Brake assy. - disc rear	20.1	12	P-11906
Brake booster installation	20	42	P-12122
Brake master cylinder assy.	20.1	7	P-5518
Brake skid control system (Sure-track)	20	28	P-12114
Parking brake system - vacuum release	20	52	P-14737

WHEELS			
Front wheel and related parts	20.1	1	P-8754
Hub cap and wheel cover - refer to group 1130			
Rear wheel and related parts	20.1	12	P-11906
Spare wheel and jack storage	175.2	3	P-9973
Wheels and wheel covers	10	5	P-12786

L (BOBCAT)

BRAKES			
Brake and clutch pedals	75	10	P-12634
Disc brake system	20	36	P-12117
Brake assy. - disc front	20.1	10	P-10860
Brake assy. - drum rear	20.1	5	P-3703
Brake cylinder assy. - rear	20.1	7	P-3906
Brake master cylinder assy.	20.1	7	P-5518
Parking brake system	20	50	P-14735

WHEELS			
Hub cap and wheel cover - refer to text group 1130			
Rear wheel and related parts	10	1	P-3118
Spare wheel and jack storage	175.2	7	P-8407
Wheels and wheel covers	10	4	P-10853

BUY IT NOW!

Click Here To Order

V

ILLUSTRATION
SECTION 10

1973/79
LINCOLN-MERCURY CARS

INDEX

TITLE	SECTION	PAGE	ILLUS. NO.
1979			

P (ZEPHYR)

BRAKES			
Brake and clutch pedal	75	11	P-14139
Disc brake system	20	45	P-14142
Brake assy. - disc front	20.1	14	P-14330
Brake assy. - drum rear	20.1	5	P-3703
Brake cylinder assy. - rear	20.1	7	P-3906
Brake master cylinder assy.	20.1	7	P-5518
Parking brake system	20	44	P-14140

WHEELS			
Hub cap and wheel cover - refer to text group 1130			
Spare wheel and jack storage	175.2	10	P-14369
Wheels and related parts	10	4	P-10853

V (VERSAILLES)

BRAKES			
Disc brake system - rear disc	20	38	P-12601
Brake assy. - disc front	20.1	13	P-12803
Brake assy. - disc rear	20.1	12	P-11906
Brake master cylinder assy.	20.1	7	P-5518
Parking brake system - rear disc brakes	20	43	P-13485

WHEELS			
Hub cap and wheel cover - refer to text group 1130			
Spare wheel and jack storage	175.2	8	P-12239
Wheels and related parts	10	4	P-10853



BUY IT NOW!

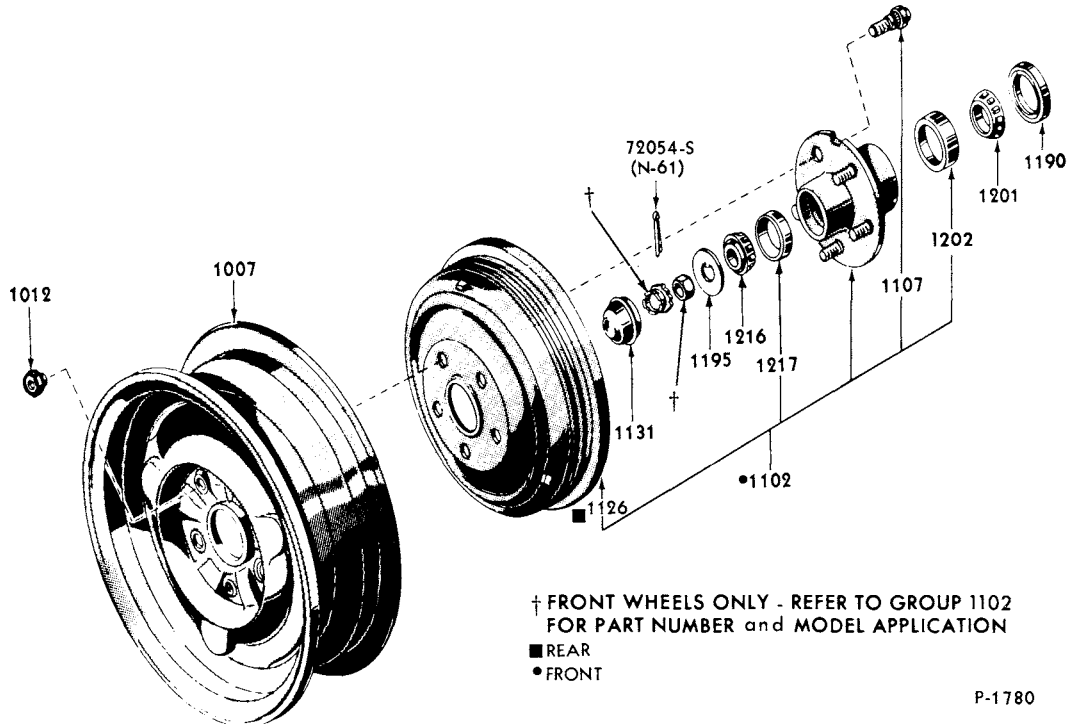
Click Here To Order



1973/79 LINCOLN-MERCURY CARS

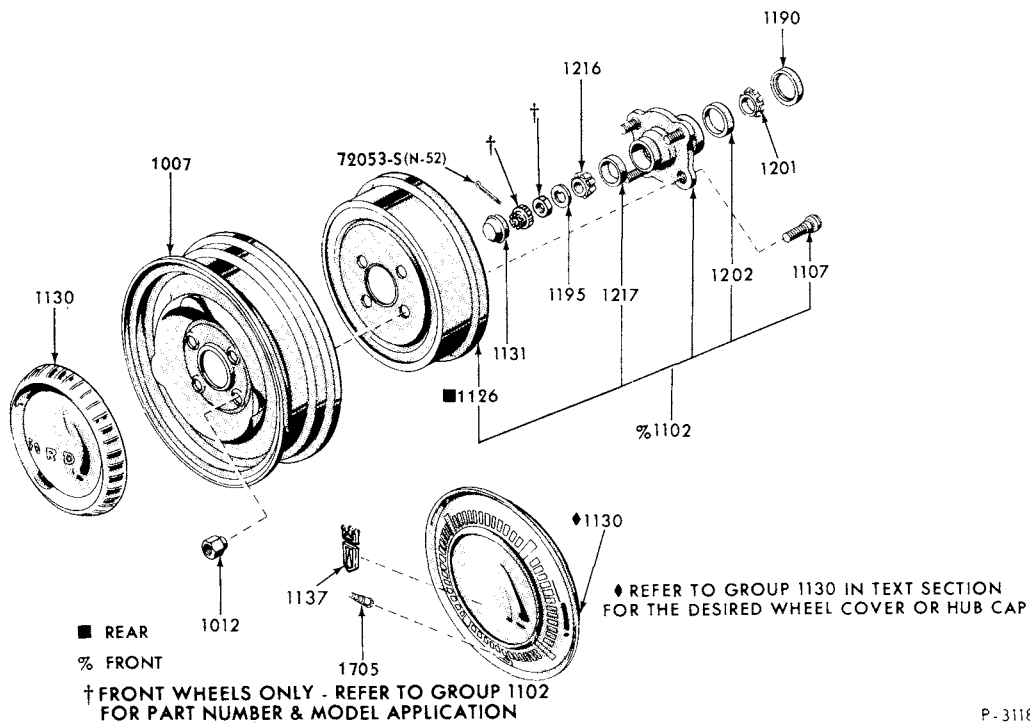
ILLUSTRATION
SECTION 10

1



P-1780

1973/ LINCOLN, MERCURY and METEOR
REAR WHEEL and RELATED PARTS-TYPICAL (EXC. REAR DISC)



P-3118

WHEELS and RELATED PARTS-TYPICAL
1973/77 COMET (FRONT and REAR)
and MONTEGO (REAR ONLY), 1974/ BOBCAT (REAR ONLY)
1975/ MONARCH (REAR ONLY)

COPYRIGHT © 1982 — FORD MOTOR — DEARBORN, MICHIGAN
COMPANY

NEW ISSUE

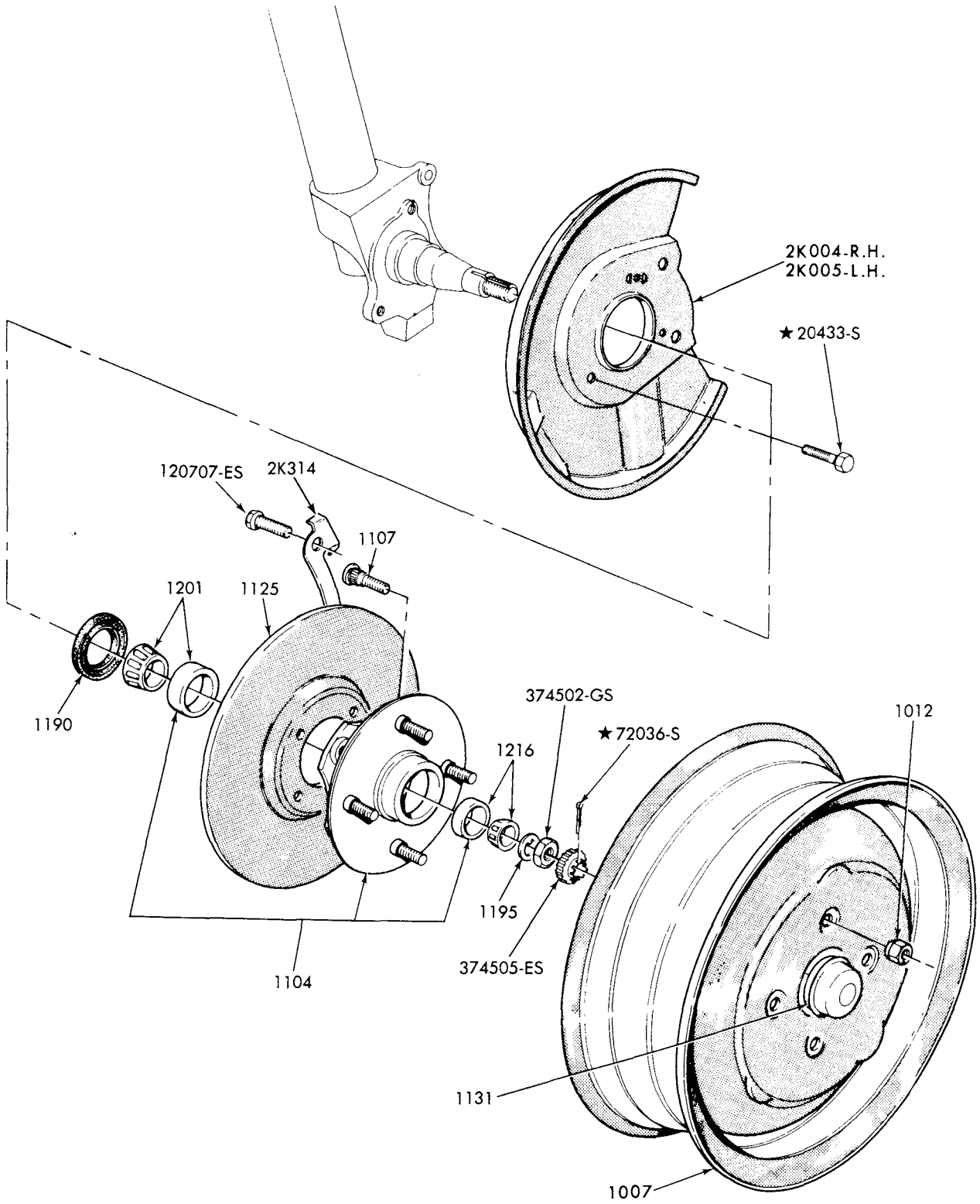


BUY IT NOW!

Click Here To Order



1973/79 LINCOLN-MERCURY CARS



P-7554

FRONT WHEEL and RELATED PARTS
1973/78 CAPRI



BUY IT NOW!

[Click Here To Order](#)

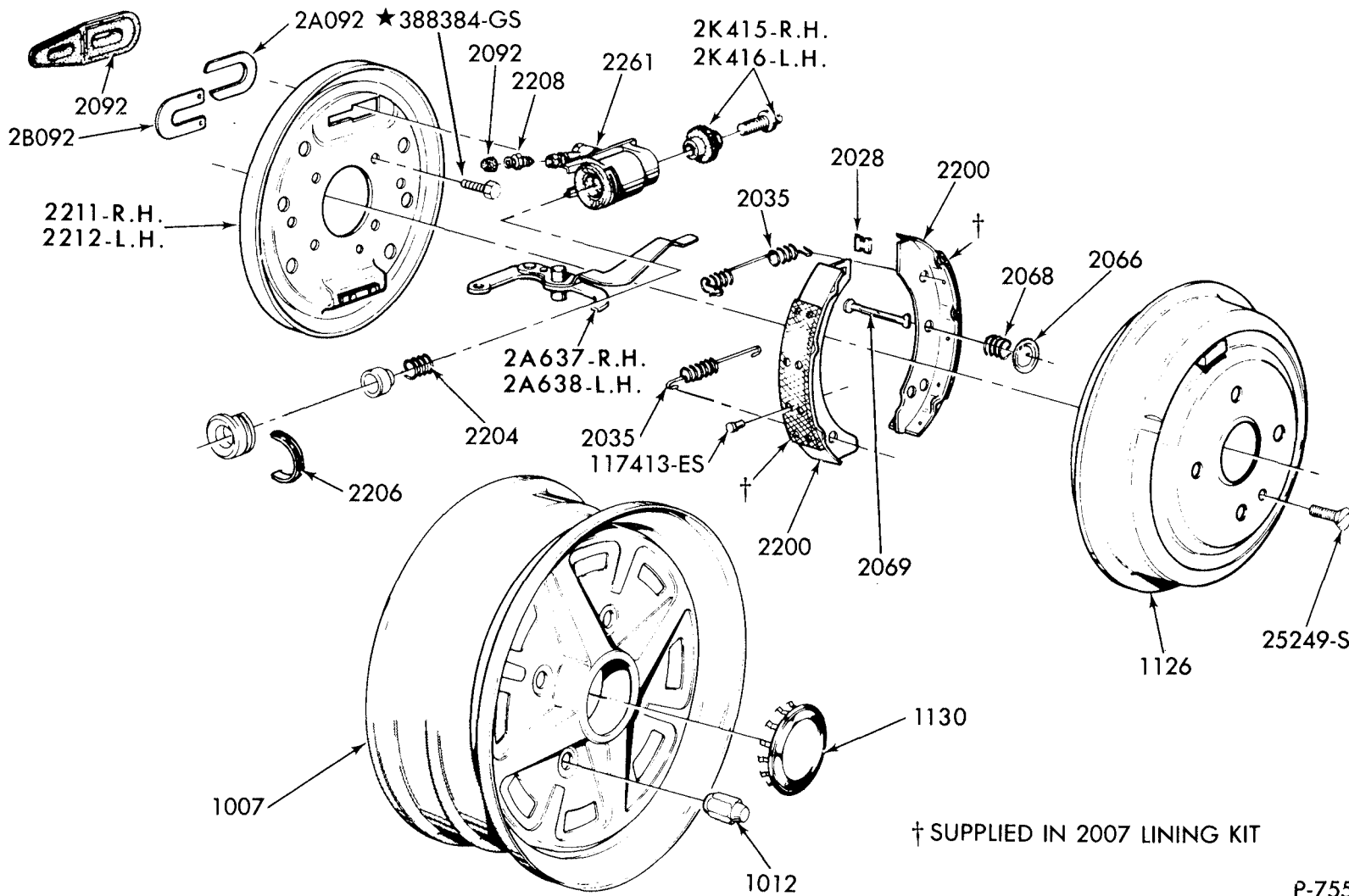


JANUARY, 1982

COPYRIGHT © 1982 — FORD MOTOR COMPANY — DEARBORN, MICHIGAN

NEW

REAR WHEEL and RELATED PARTS
1973/75 CAPRI



P-7555

1973/79
LINCOLN-MERCURY CARS

ILLUSTRATION
SECTION 10

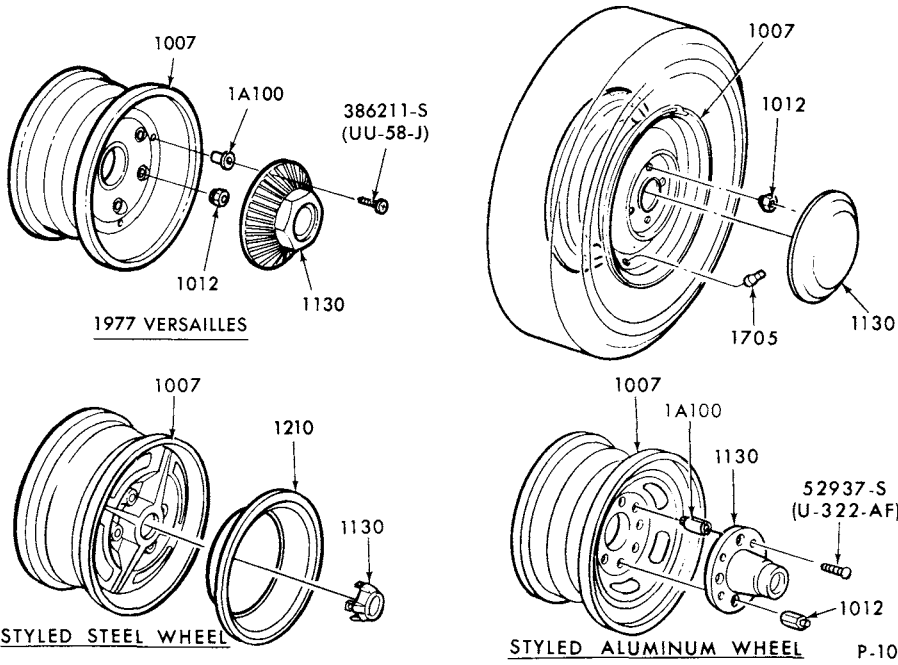
3

100% SATISFACTION GUARANTEED

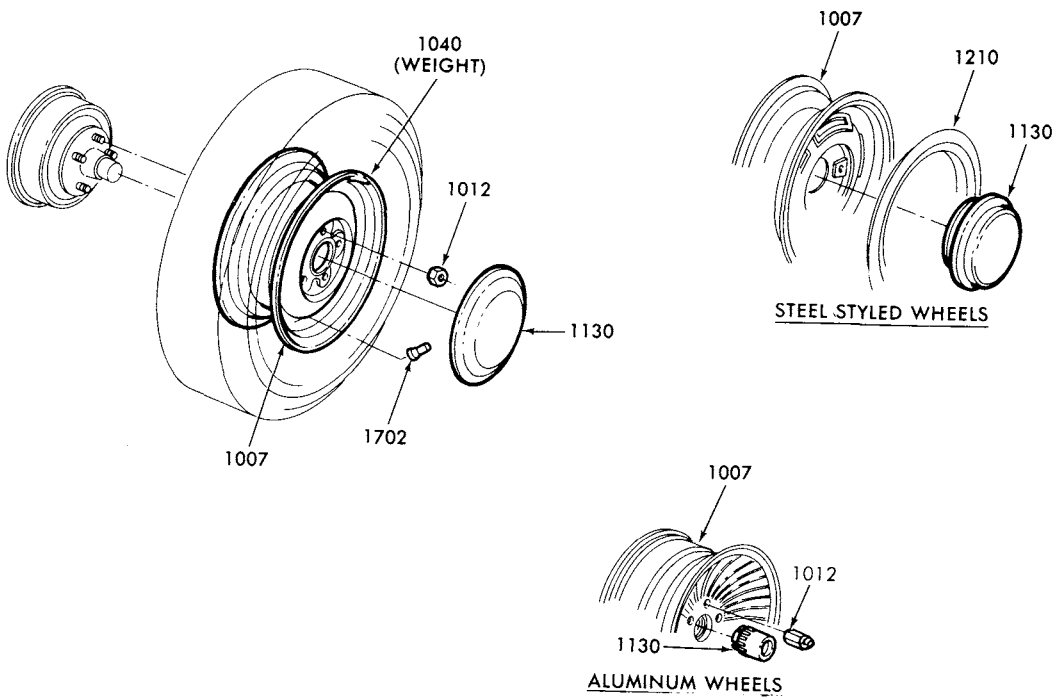
BUY IT NOW!

Click Here To Order

1973/79 LINCOLN-MERCURY CARS



1974/ BOBCAT, 1975/ MONARCH, 1975/77 COMET, 1977/ VERSAILLES, 1978/ ZEPHYR
and 1979 CAPRI



1976 MONTEGO and 1976/ COUGAR

100% SATISFACTION GUARANTEED

BUY IT NOW!

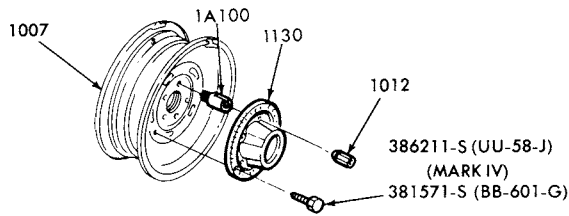
Click Here To Order

PayPal American Express Discover PLUS MasterCard VISA

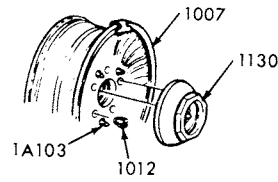
1973/79 LINCOLN-MERCURY CARS

ILLUSTRATION
SECTION 10

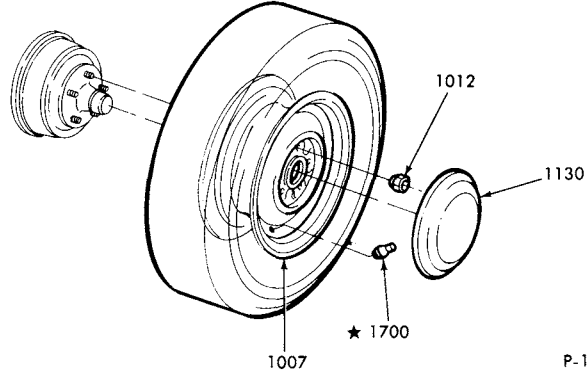
5



ALUMINUM WHEELS

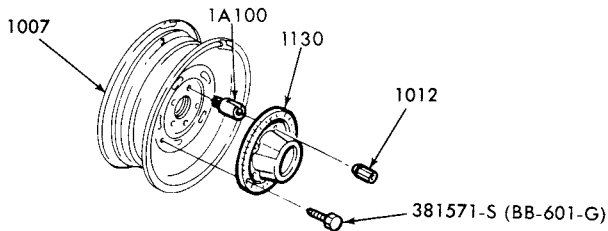


CAST TURBINE ALUMINUM WHEEL

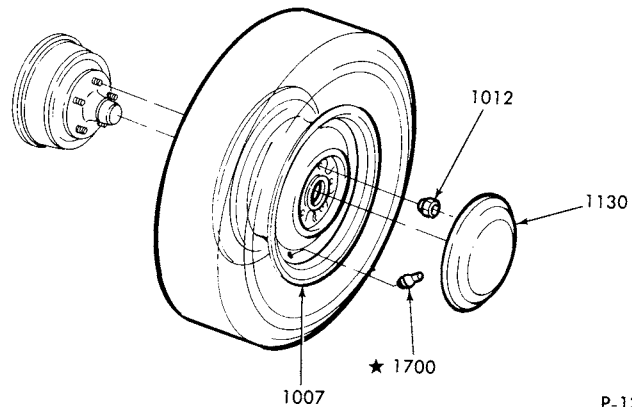


P-13067

WHEELS and WHEEL COVERS 1976 MARK IV and 1977/ MARK V



ALUMINUM WHEELS



P-13067

WHEELS and RELATED PARTS 1977/ MERCURY

COPYRIGHT © 1982 — FORD MOTOR — DEARBORN, MICHIGAN
COMPANY

NEW ISSUE

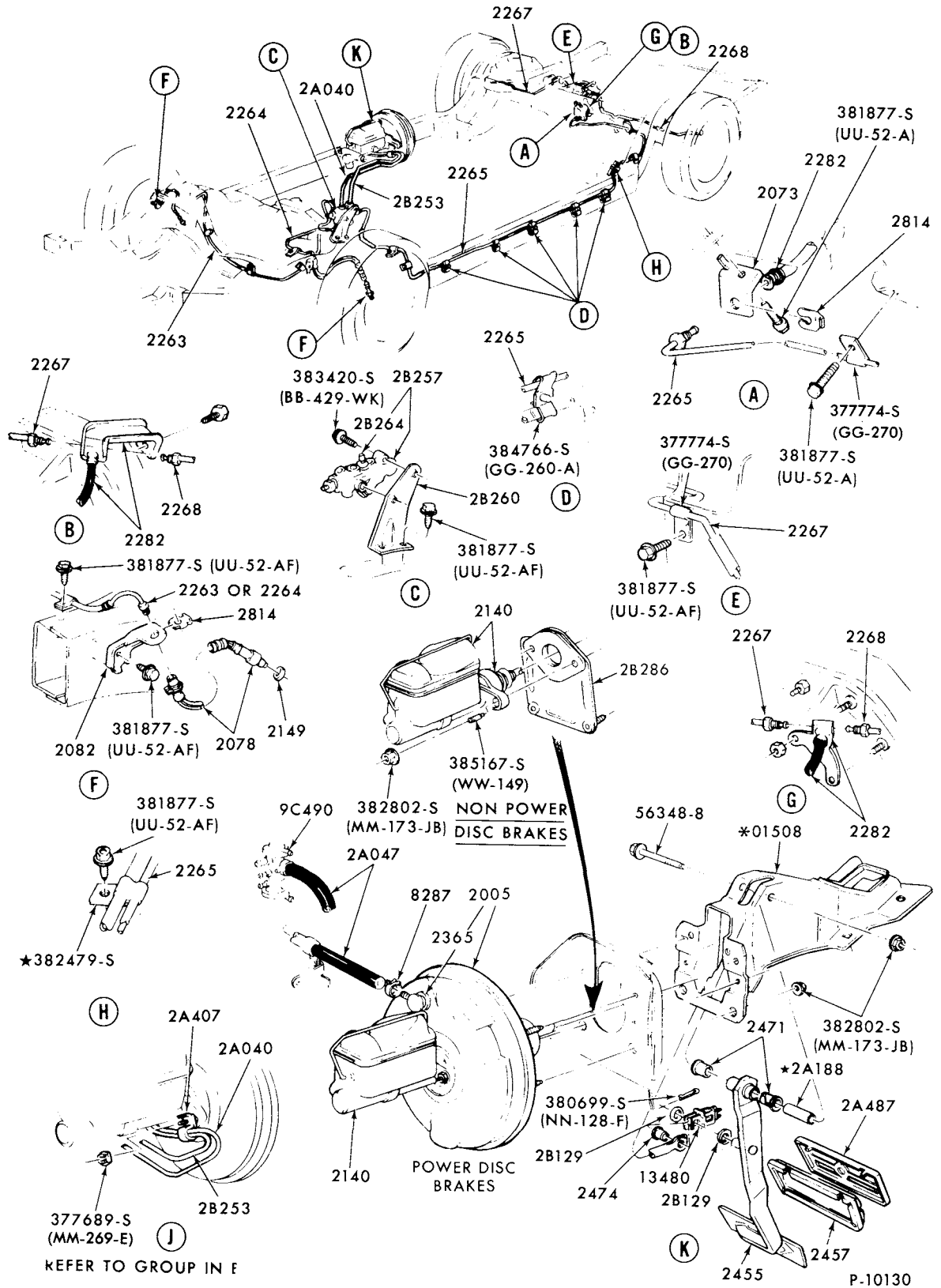
100% SATISFACTION GUARANTEED

BUY IT NOW!

Click Here To Order

1973/79 LINCOLN-MERCURY CARS

ILLUSTRATION
SECTION 20



BUY IT NOW!

[Click Here To Order](#)

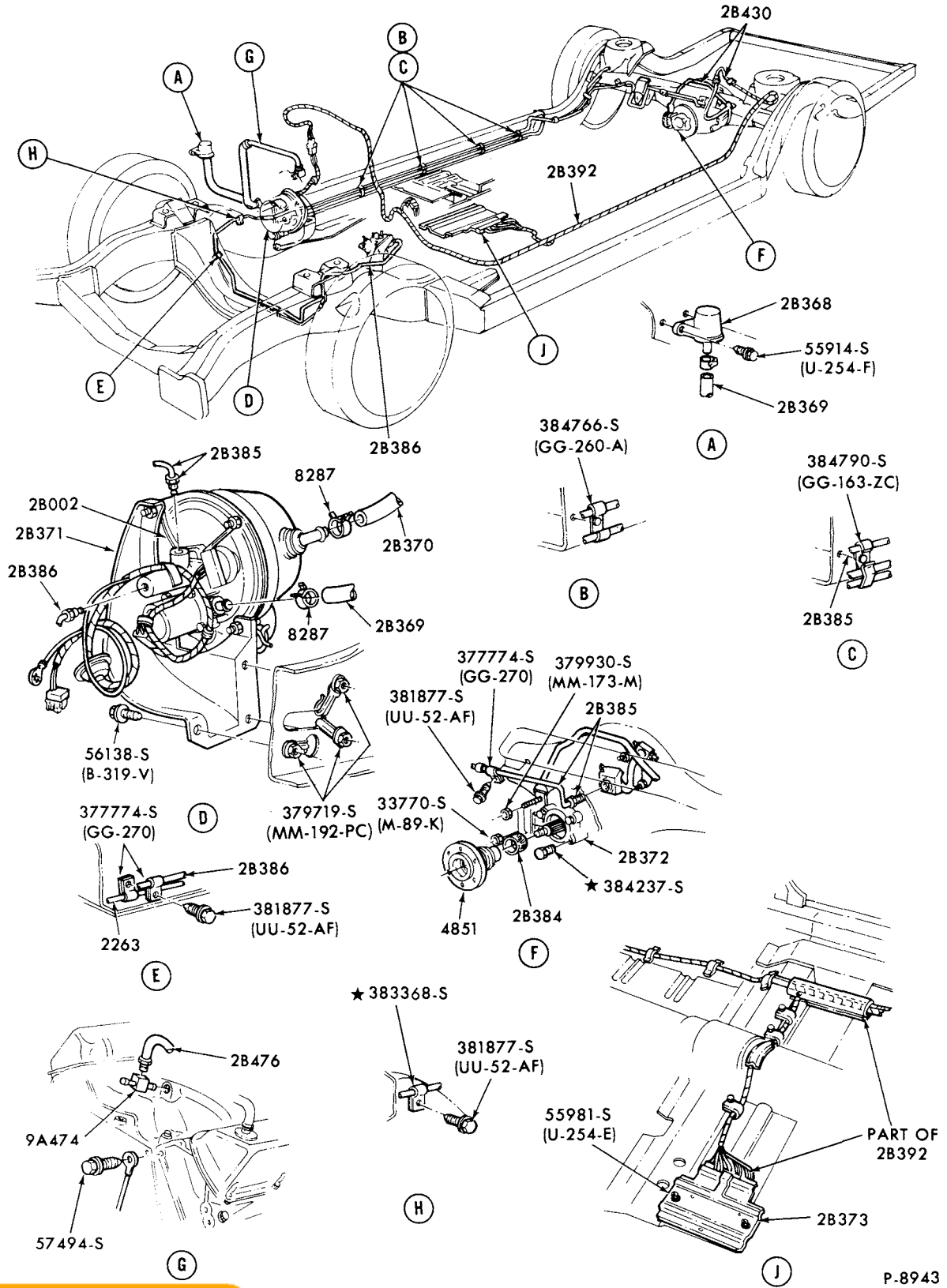
DISC BRAKE SYSTEM
1973/78 MERCURY and METEOR

COPYRIGHT © 1982 — FORD MOTOR — DEARBORN, MICHIGAN
COMPANY

NEW ISSUE



1973/79 LINCOLN-MERCURY CARS



P-8943

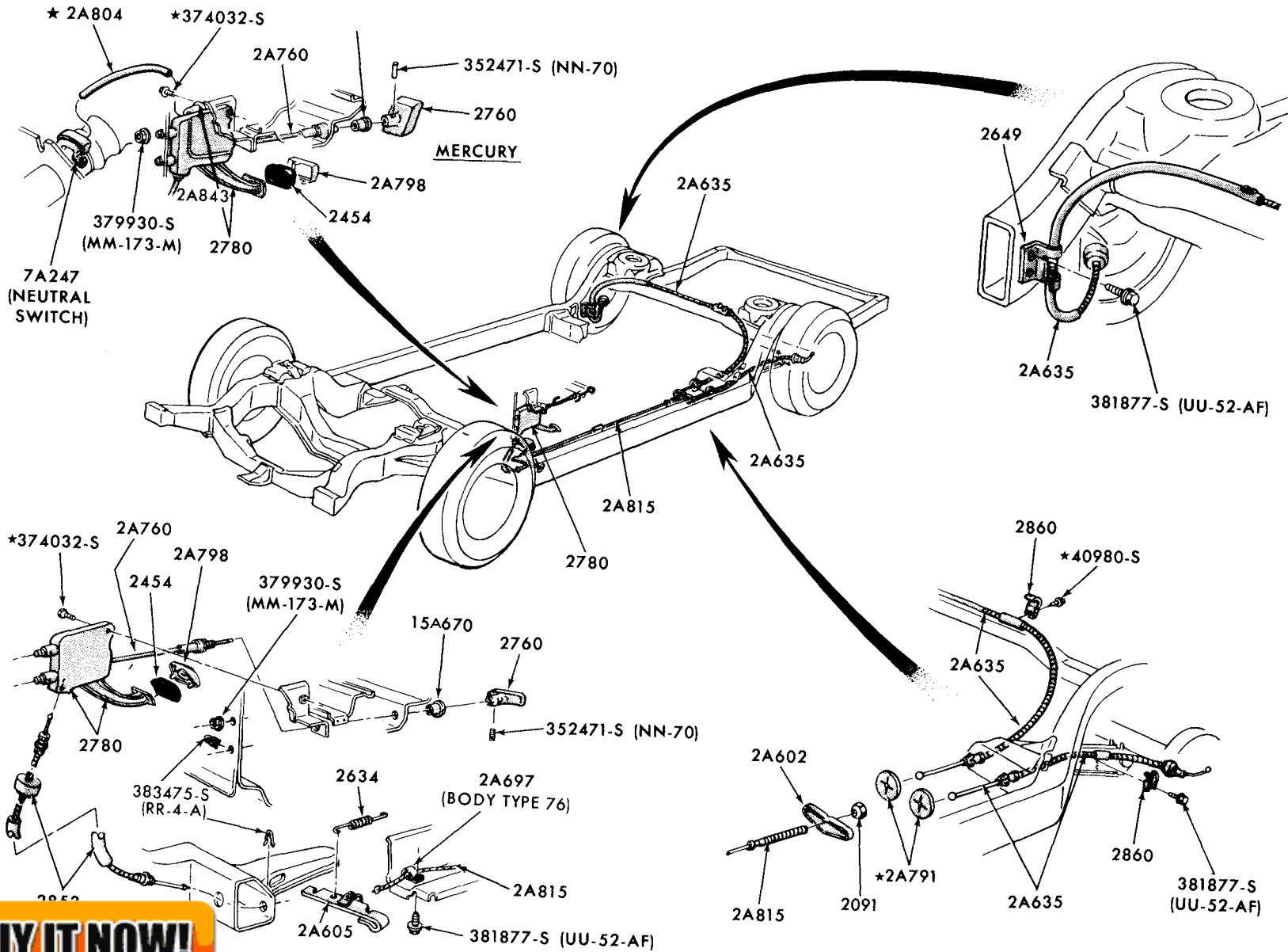
100% SATISFACTION GUARANTEED

BUY IT NOW!

Click Here To Order

SKID CONTROL SYSTEM (SURE-TRACK)
1973/74 LINCOLN-MERCURY

PARKING BRAKE SYSTEM - w/REAR DRUM BRAKES
1973/78 MERCURY and METEOR



1973/79
LINCOLN-MERCURY CARS

ILLUSTRATION
SECTION 20

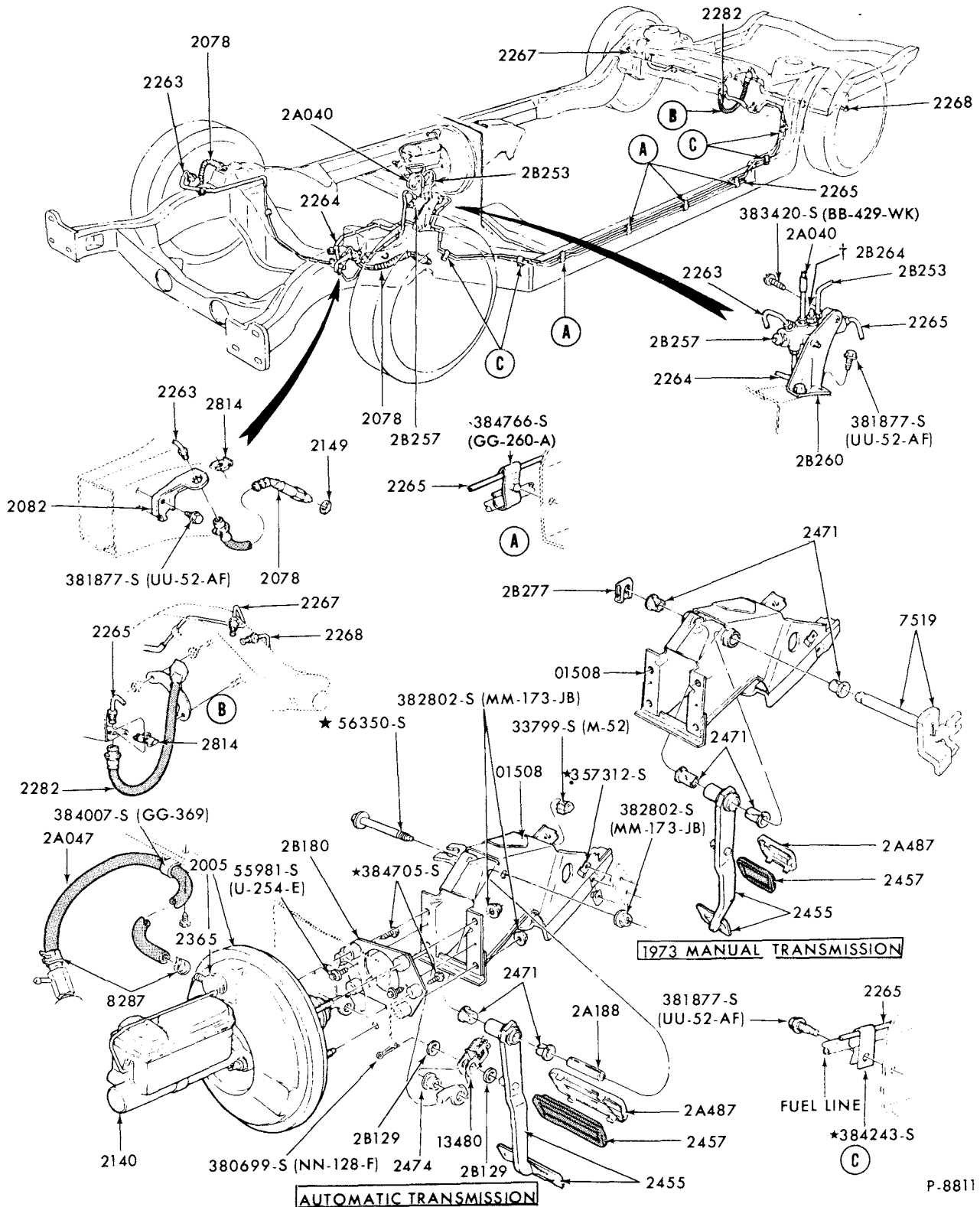


BUY IT NOW!

[Click Here To Order](#)



1973/79 LINCOLN-MERCURY CARS



P-8811

† ALSO SERVICED IN 2B257 VALVE ASSY.

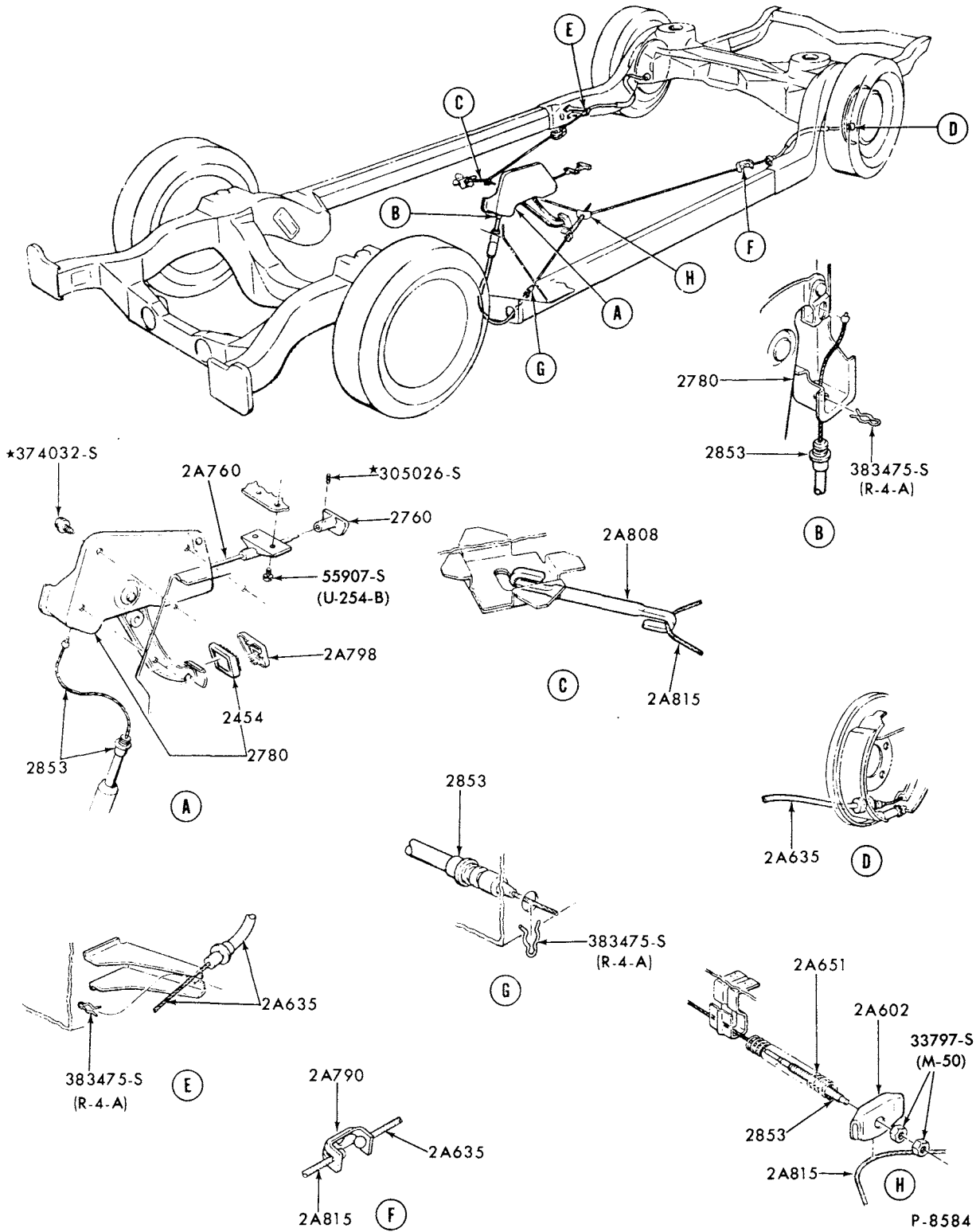


BUY IT NOW!

Click Here To Order

DISC BRAKE SYSTEM
1973/76 MONTEGO and 1974/ COUGAR





BUY IT NOW!

Click Here To Order

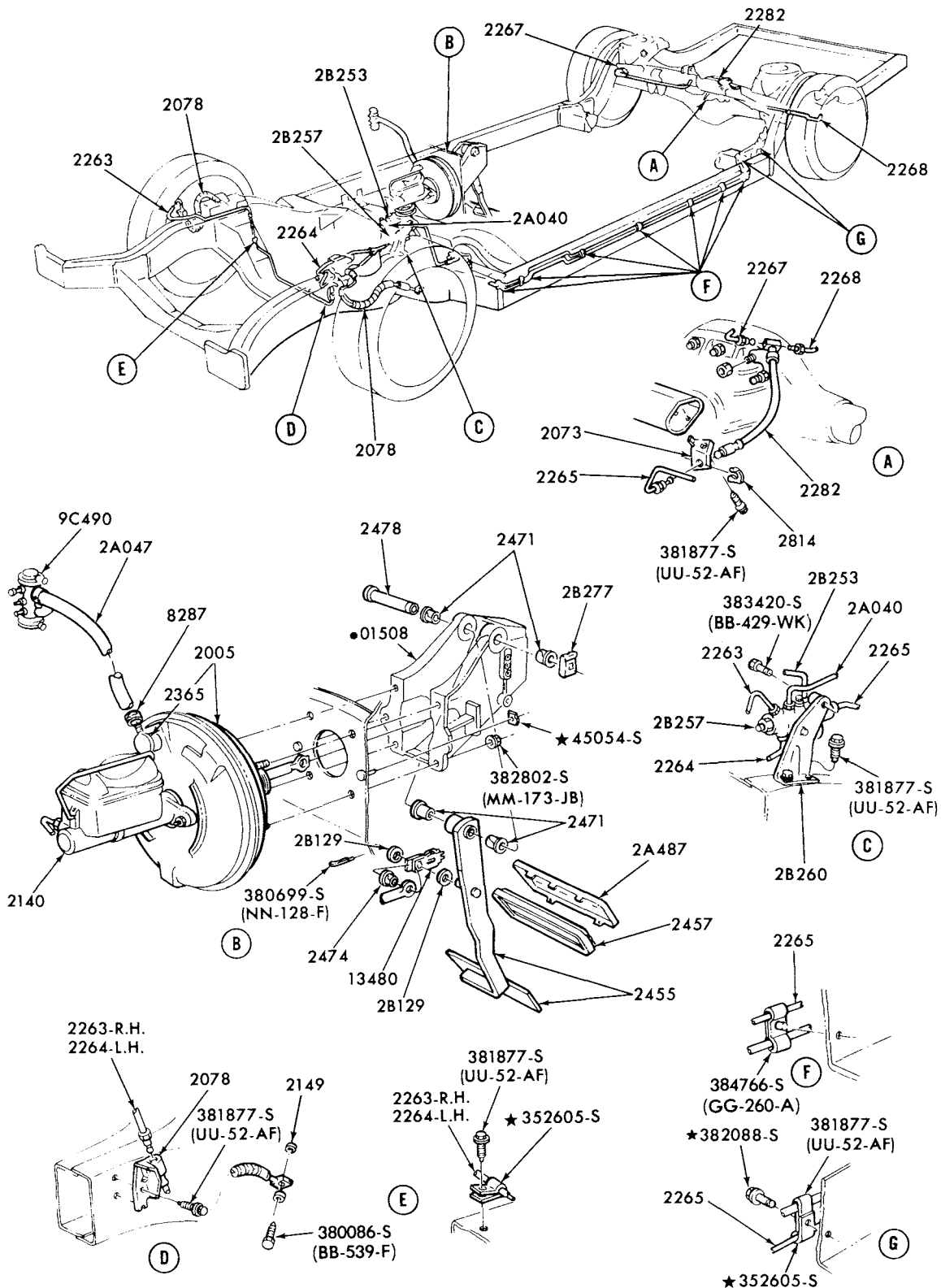
PARKING BRAKE SYSTEM
1973/74 MONTEGO and 1974 COUGAR

COPYRIGHT © 1982 — FORD MOTOR — DEARBORN, MICHIGAN
COMPANY

NEW ISSUE



1973/79 LINCOLN-MERCURY CARS



• REFER TO BODY SECTION

P-8945

100% SATISFACTION GUARANTEED

BUY IT NOW!

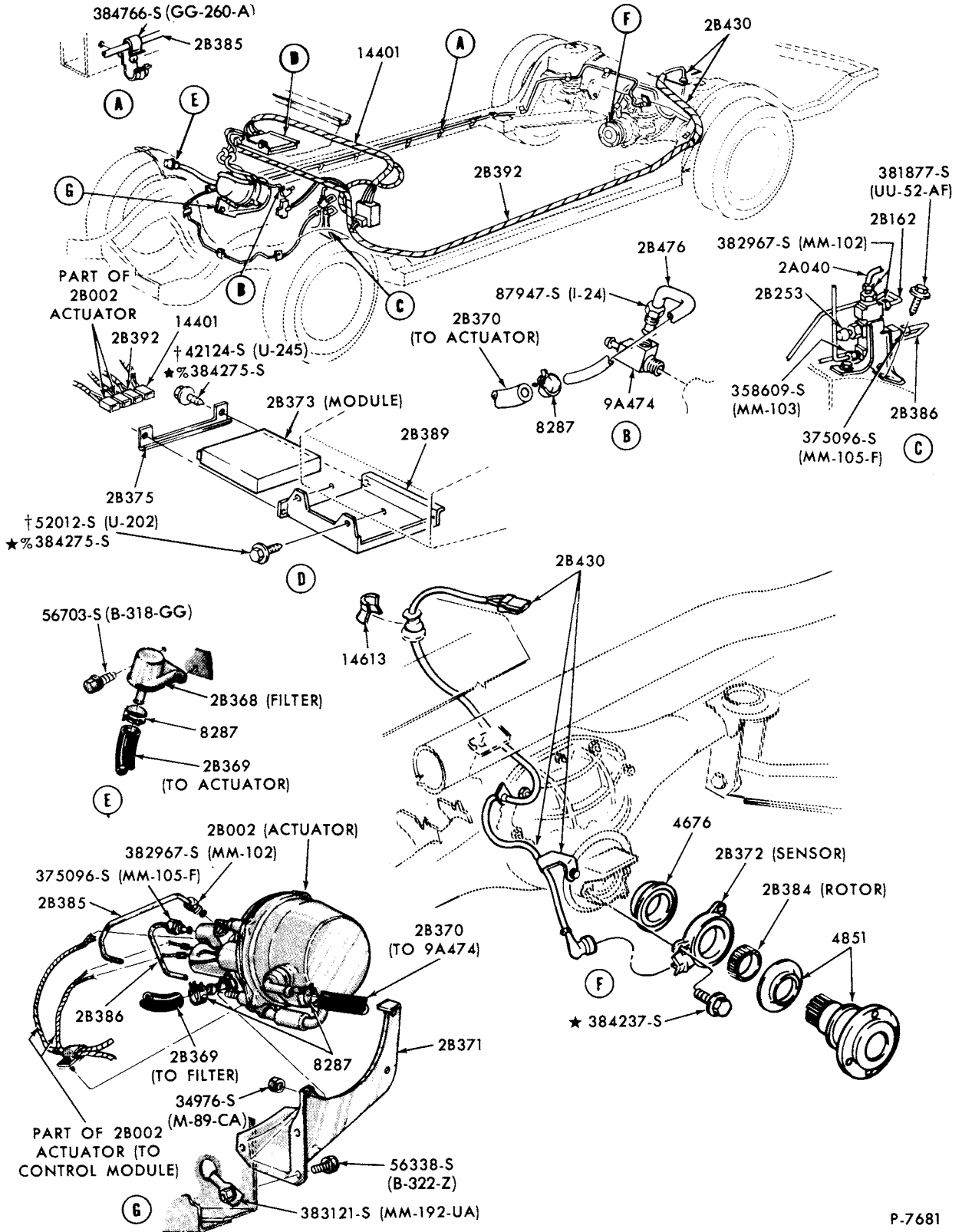
Click Here To Order

DISC BRAKE SYSTEM (VACUUM BOOSTER)
 1973/74 LINCOLN

1973/79 LINCOLN-MERCURY CARS

ILLUSTRATION
SECTION 20

7



P-7681

† BEFORE 3/16/70



BUY IT NOW!

Click Here To Order

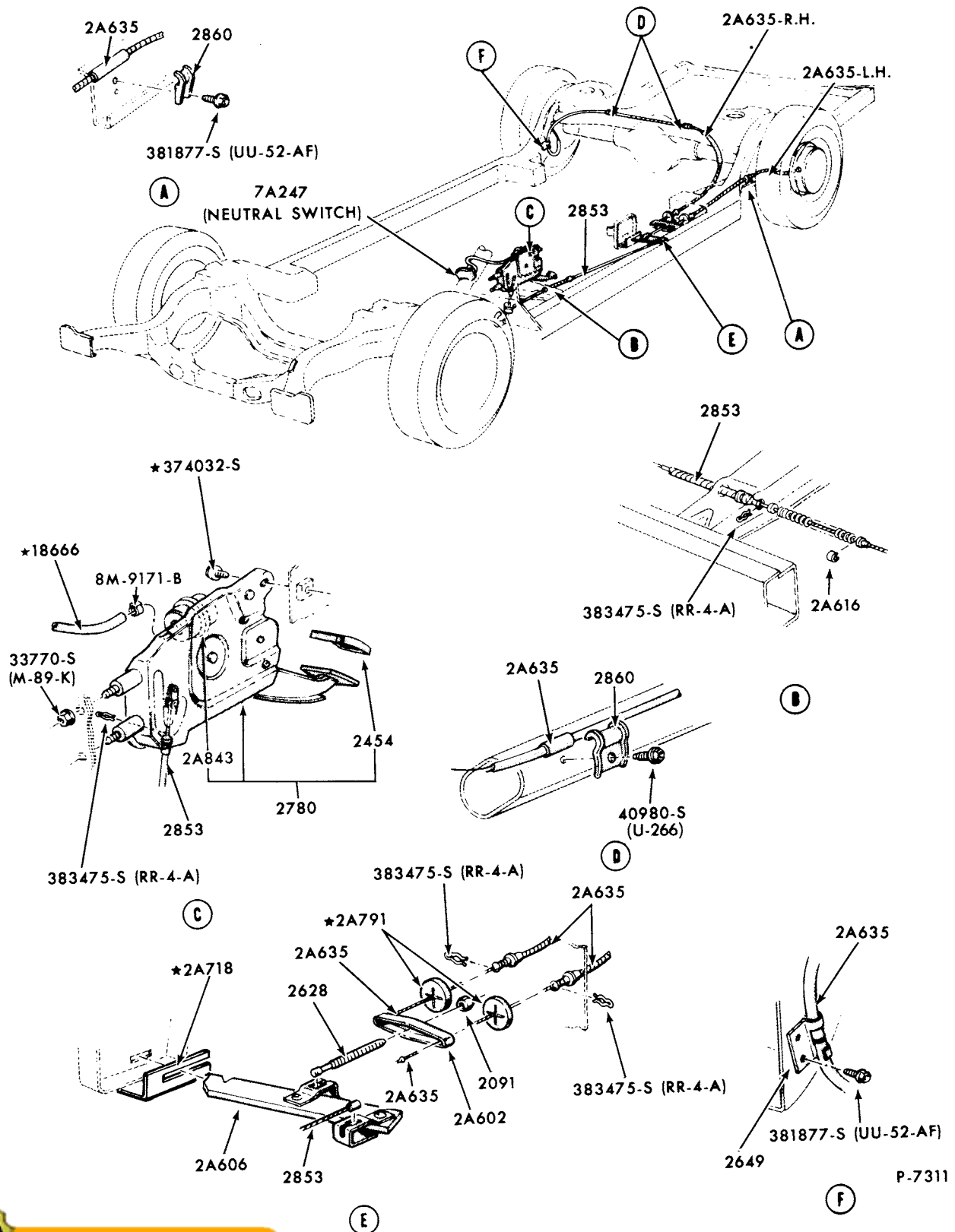
BRAKE SKID CONTROL SYSTEM (SURE-TRACK)
1973/74 LINCOLN

COPYRIGHT © 1982 — FORD MOTOR — DEARBORN, MICHIGAN
COMPANY

NEW ISSUE



1973/79 LINCOLN-MERCURY CARS



P-7311

100% SATISFACTION GUARANTEED

BUY IT NOW!

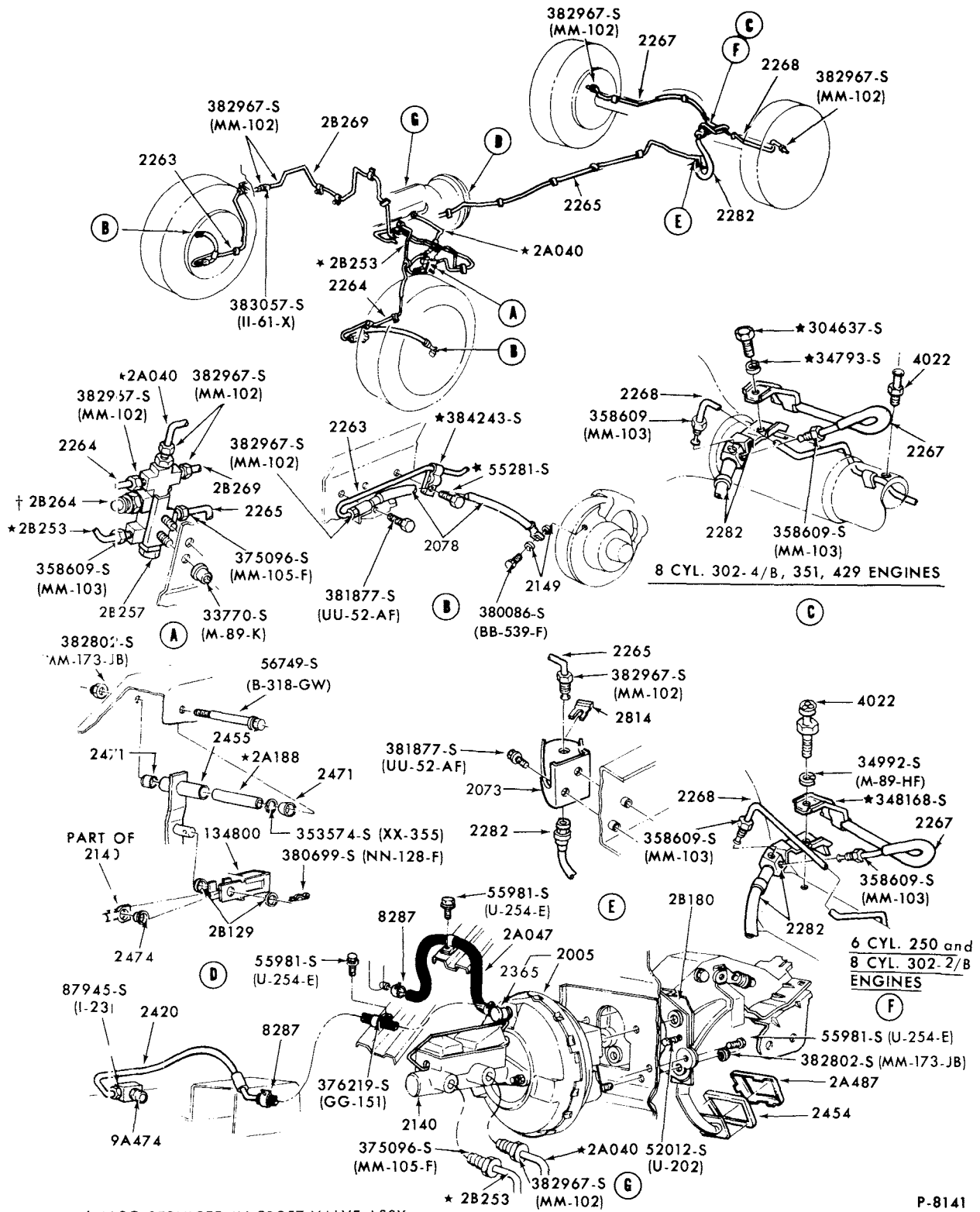
Click Here To Order

PayPal American Express Discover MasterCard VISA

SYSTEM - VACUUM RELEASE - w/ REAR DRUM BRAKES
1973/75 LINCOLN

1973/79 LINCOLN-MERCURY CARS

ILLUSTRATION
SECTION 20



† ALSO SERVICED IN 2B257 VALVE ASSY.

P-8141



BUY IT NOW!

Click Here To Order

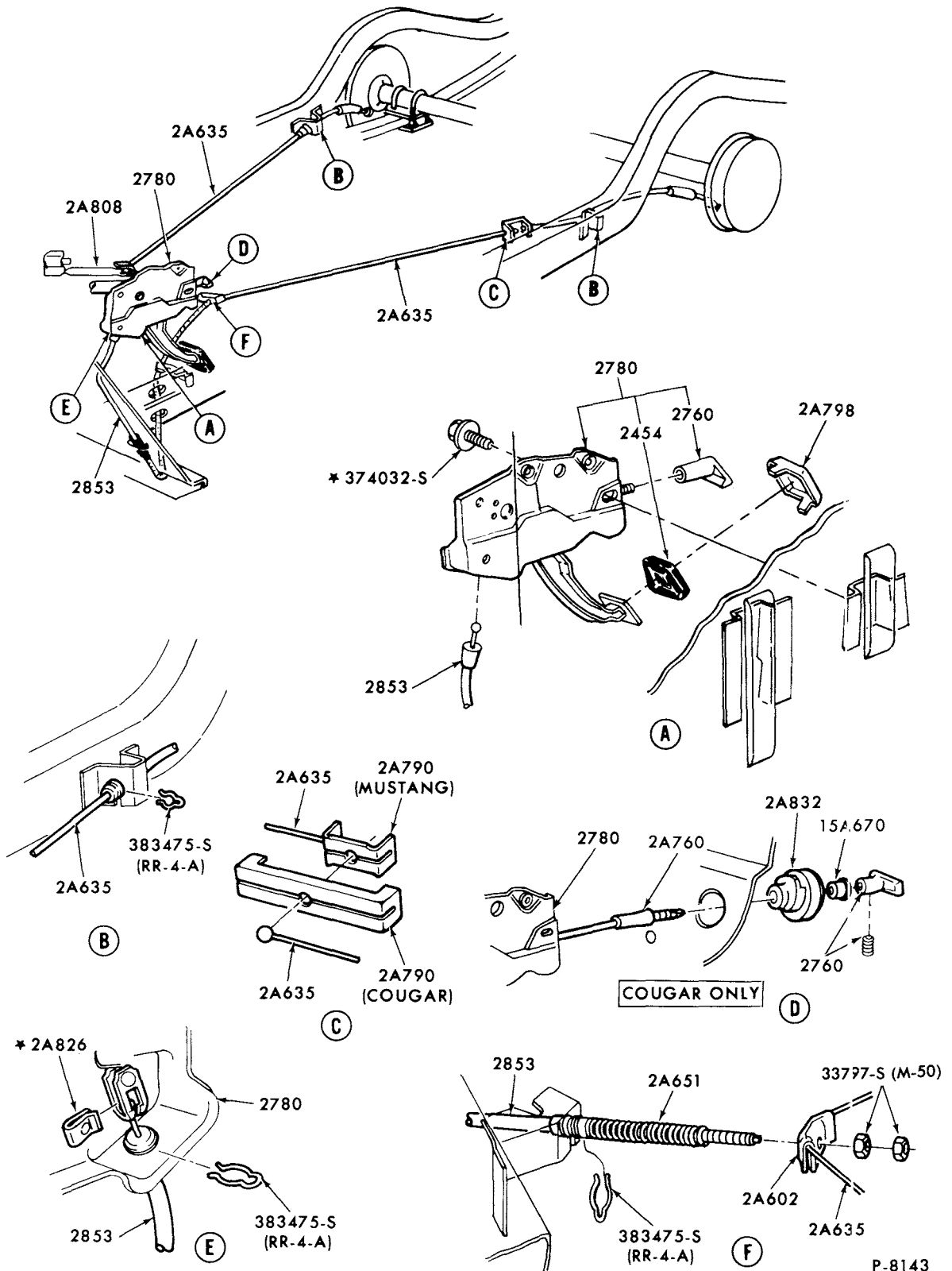
DISC BRAKE SYSTEM
1973 COUGAR

COPYRIGHT © 1982 — FORD MOTOR — DEARBORN, MICHIGAN
COMPANY

NEW ISSUE



1973/79 LINCOLN-MERCURY CARS



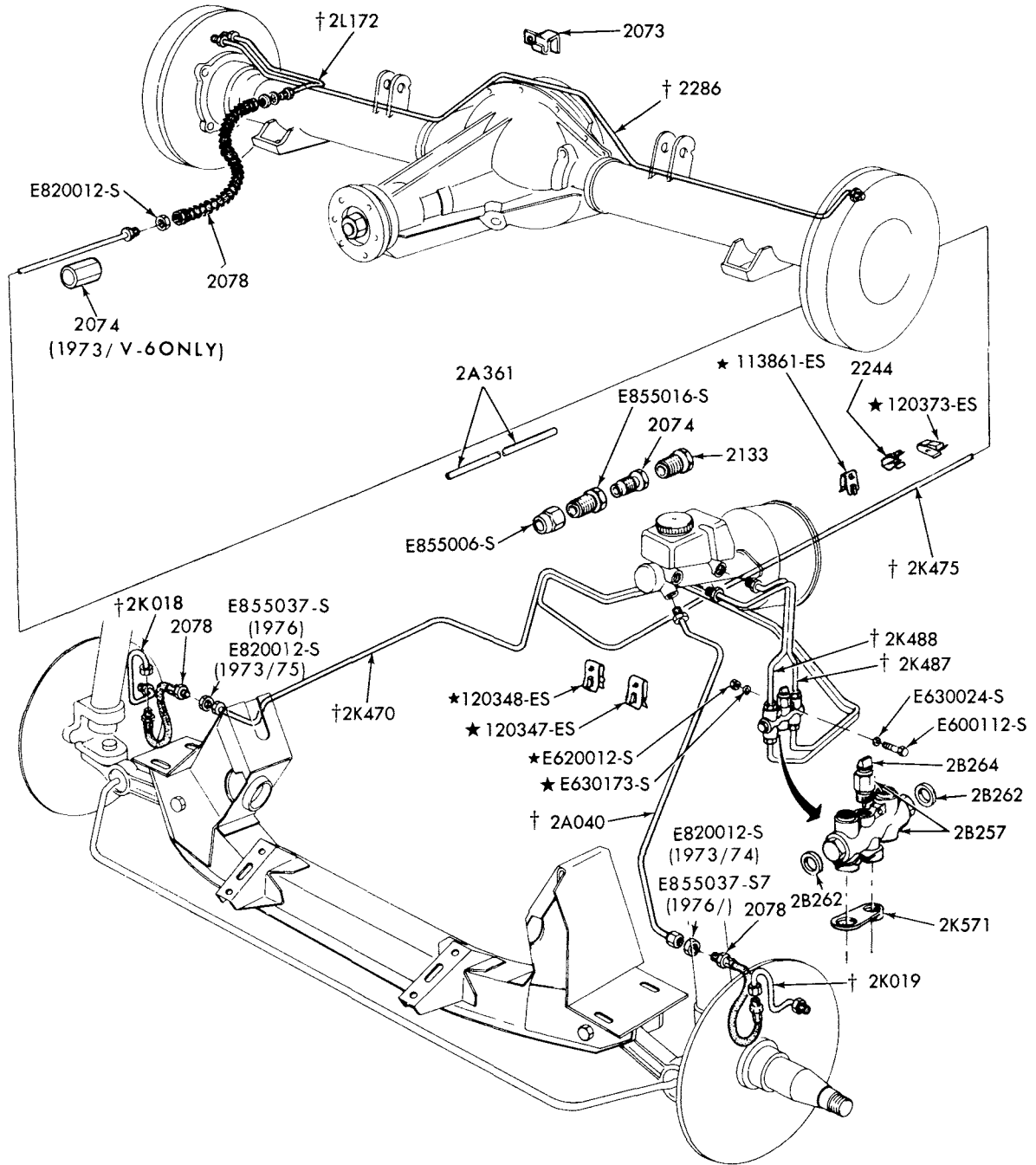
P-8143

PARKING BRAKE SYSTEM
1973 COUGAR

100% SATISFACTION GUARANTEED

BUY IT NOW!

Click Here To Order



† CUT FROM BULK TUBING-GROUP 2269

P-7545

100% SATISFACTION GUARANTEED

BUY IT NOW!

Click Here To Order

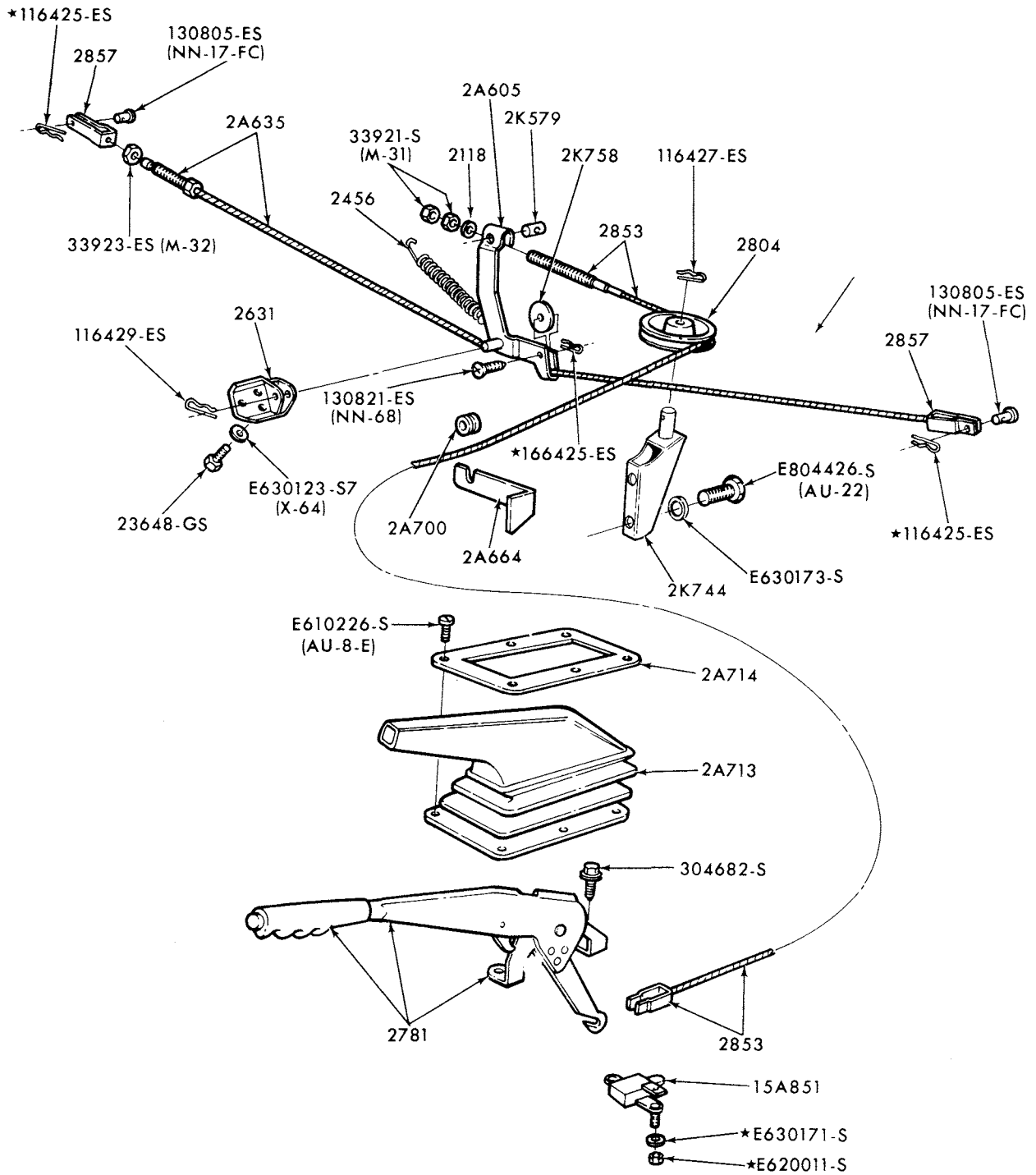
PayPal, American Express, Discover, MasterCard, VISA

**DISC BRAKE SYSTEM
1973/78 CAPRI**

COPYRIGHT © 1982 — FORD MOTOR — DEARBORN, MICHIGAN
COMPANY

NEW ISSUE

1973/79 LINCOLN-MERCURY CARS



P.10547

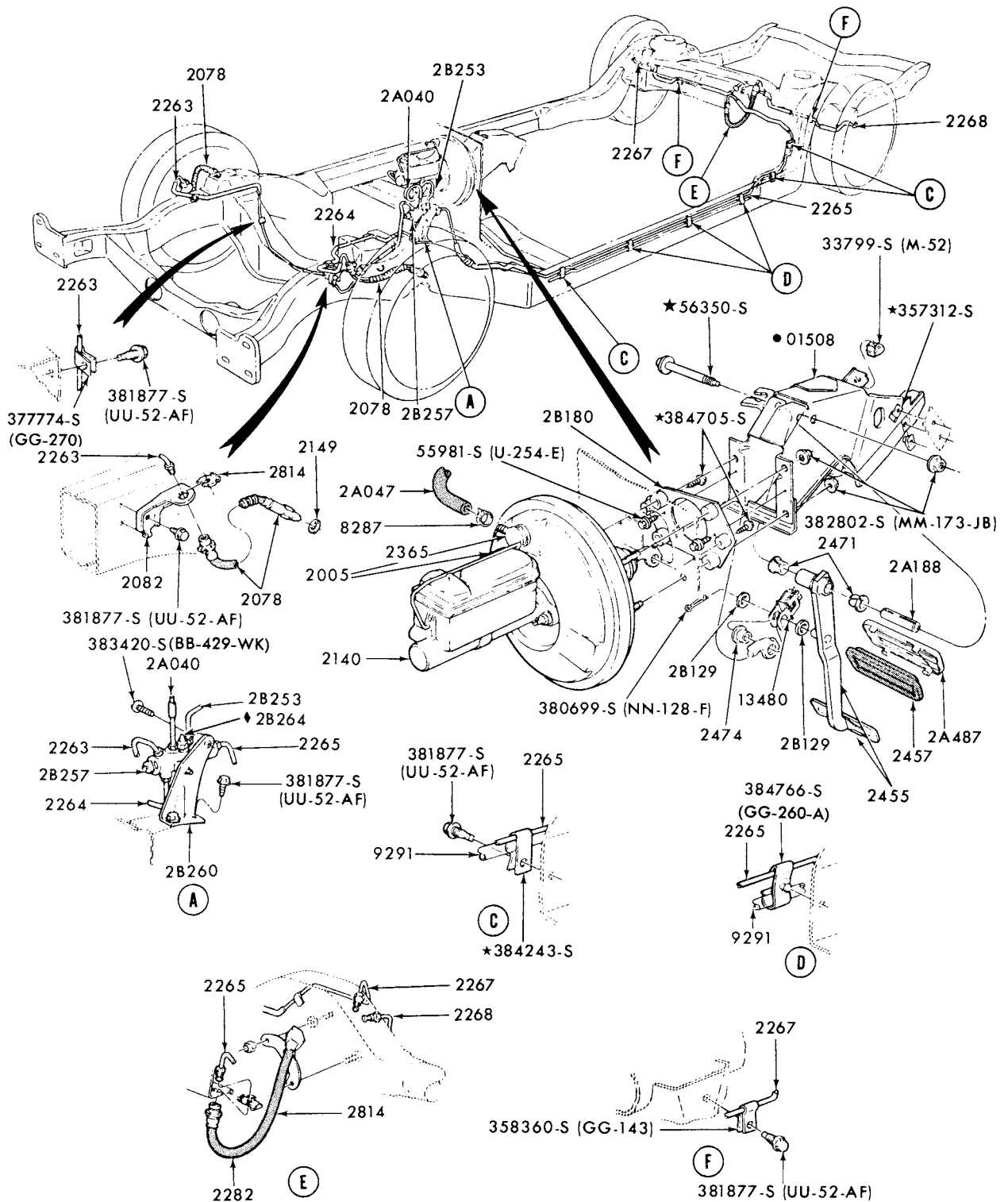
100% SATISFACTION GUARANTEED

BUY IT NOW!

Click Here To Order

PayPal | American Express | Discover | MasterCard | VISA

PARKING BRAKE SYSTEM
1973/74 CAPRI



- ◆ ALSO SERVICED IN 2B257 VALVE ASSY.
- REFER TO BODY SECTION

P-8819

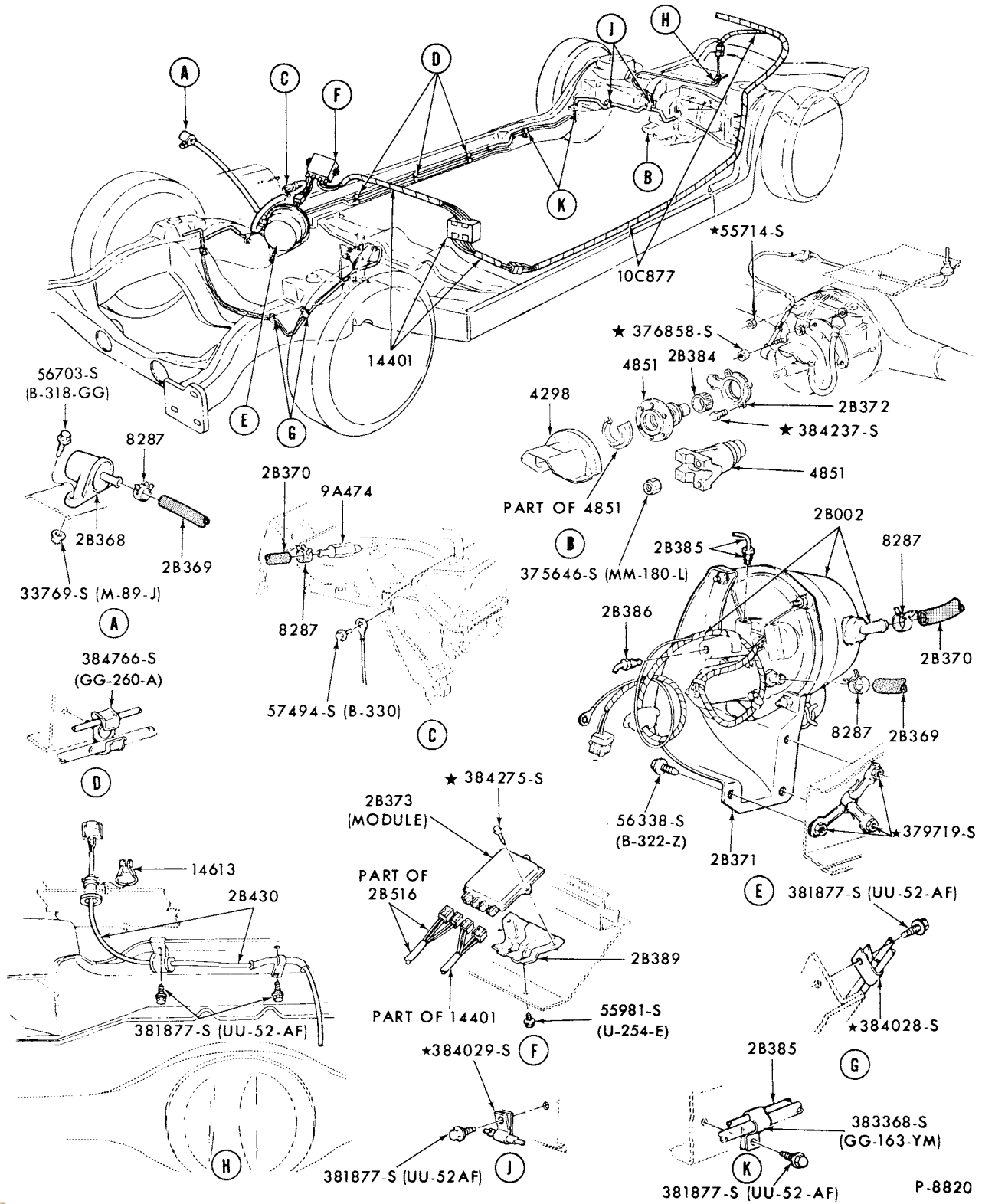
100% SATISFACTION GUARANTEED

BUY IT NOW!

Click Here To Order

DISC BRAKE SYSTEM
1973/74 MARK IV

1973/79 LINCOLN-MERCURY CARS



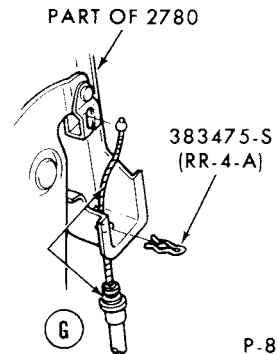
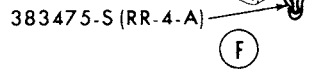
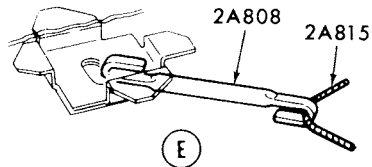
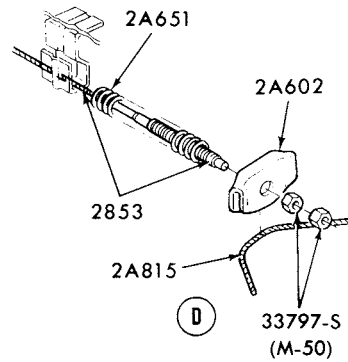
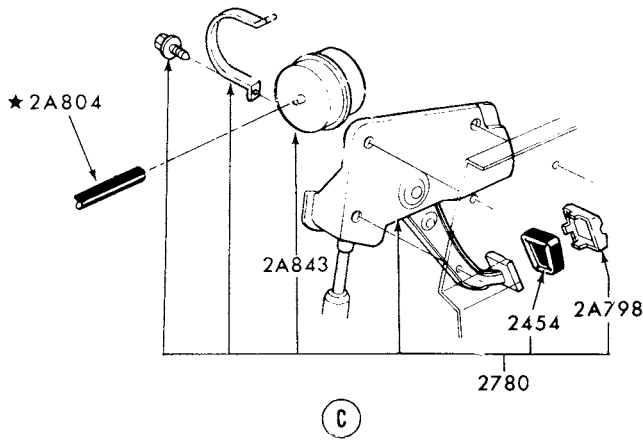
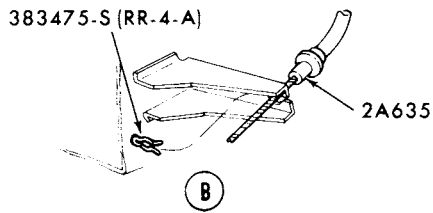
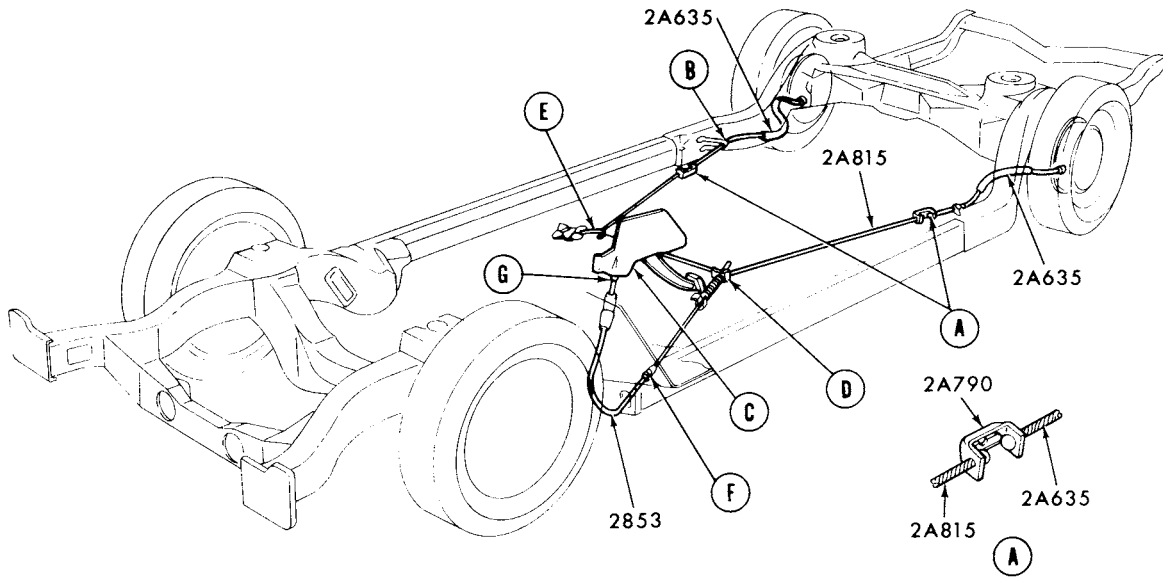
P-8820

100% SATISFACTION GUARANTEED

BUY IT NOW!

Click Here To Order

SKID CONTROL SYSTEM (SURE-TRACK)
 1973/74 MARK IV



P-8682



BUY IT NOW!

Click Here To Order

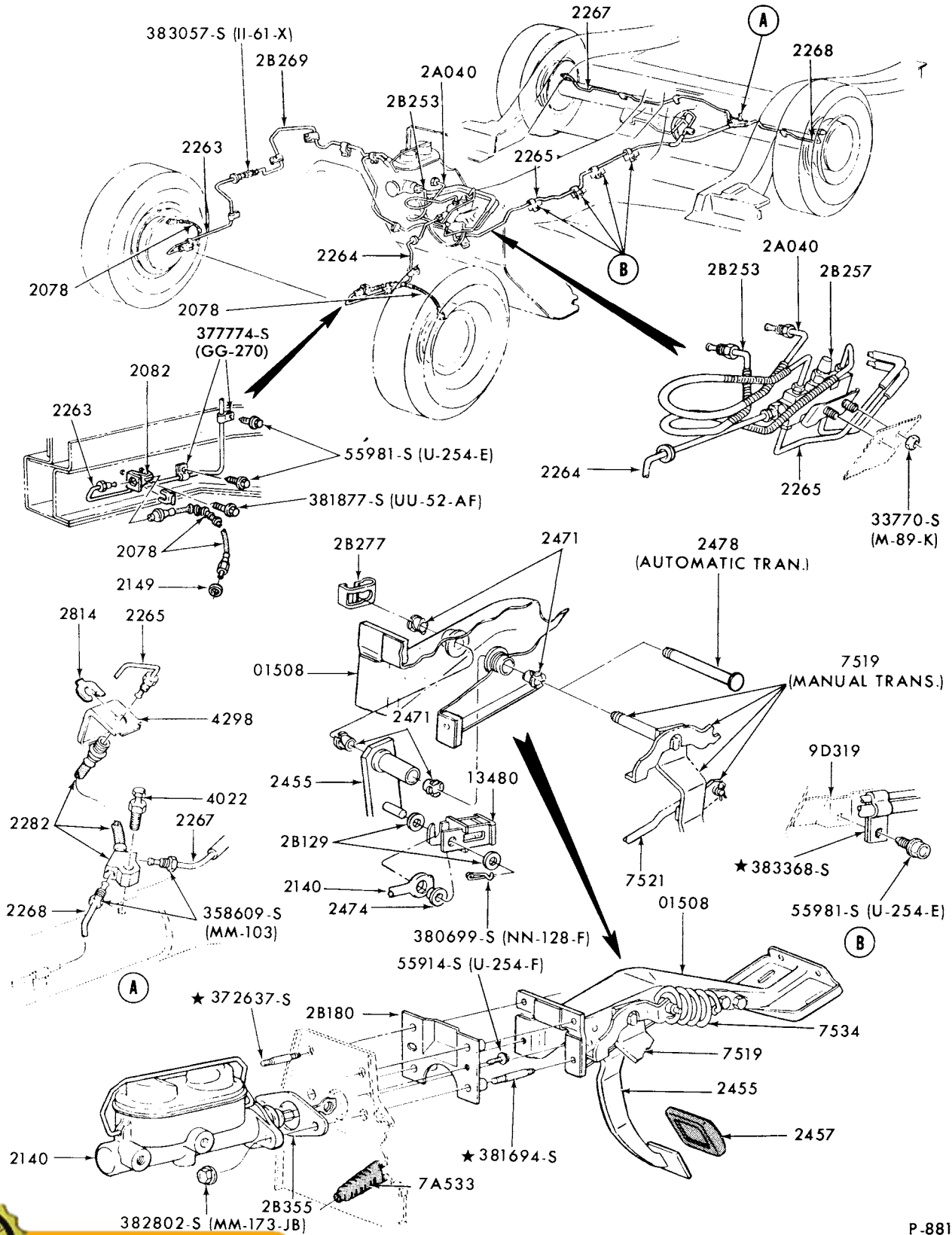
WORKING BRAKE SYSTEM - VACUUM RELEASE
1973/74 MARK IV

© COPYRIGHT © 1982 — FORD MOTOR — DEARBORN, MICHIGAN
COMPANY

NEW ISSUE



1973/79 LINCOLN-MERCURY CARS



DRUM BRAKE SYSTEM
1973/74 COMET

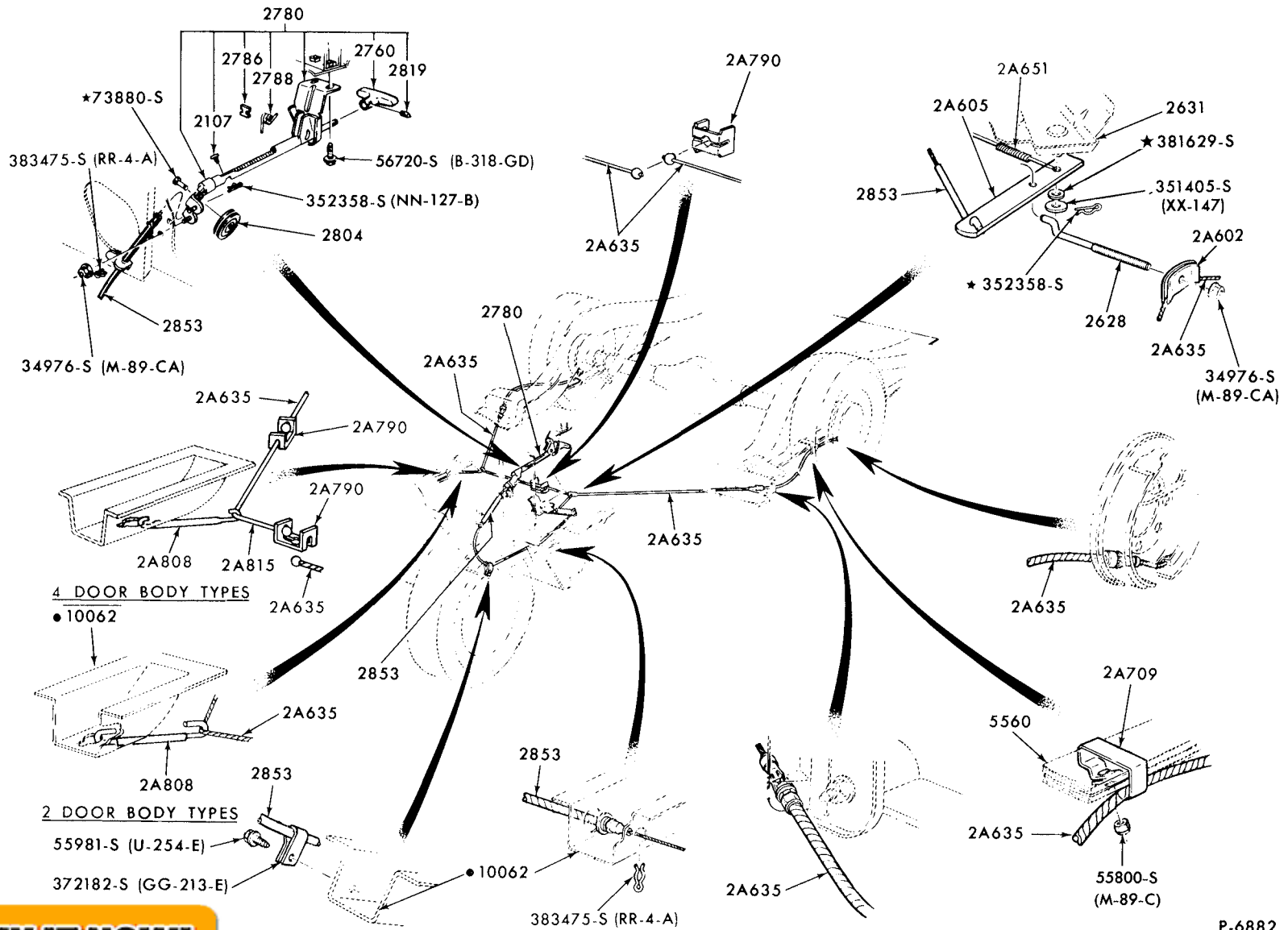
P-8813

**SATISFACTION
100%
GUARANTEED**

BUY IT NOW!

Click Here To Order

PARKING BRAKE SYSTEM
1973/74 COMET



1973/79
LINCOLN-MERCURY CARS

ILLUSTRATION
SECTION 20

P-6882

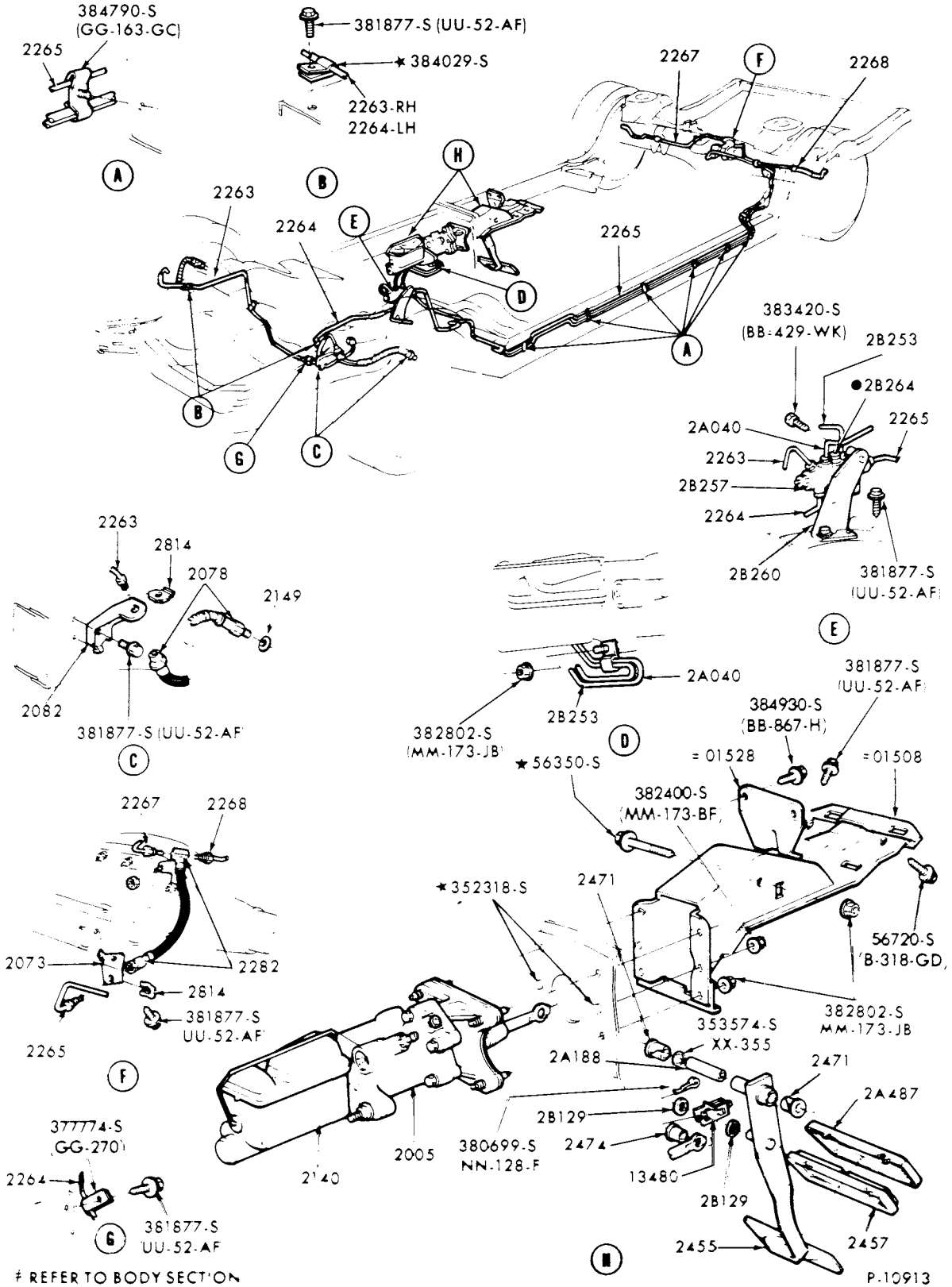
NE

100% SATISFACTION GUARANTEED

BUY IT NOW!

Click Here To Order

1973/79 LINCOLN-MERCURY CARS



REFER TO BODY SECTION ALSO SERVICED IN ASSY. GROUP 2B257

P.10913

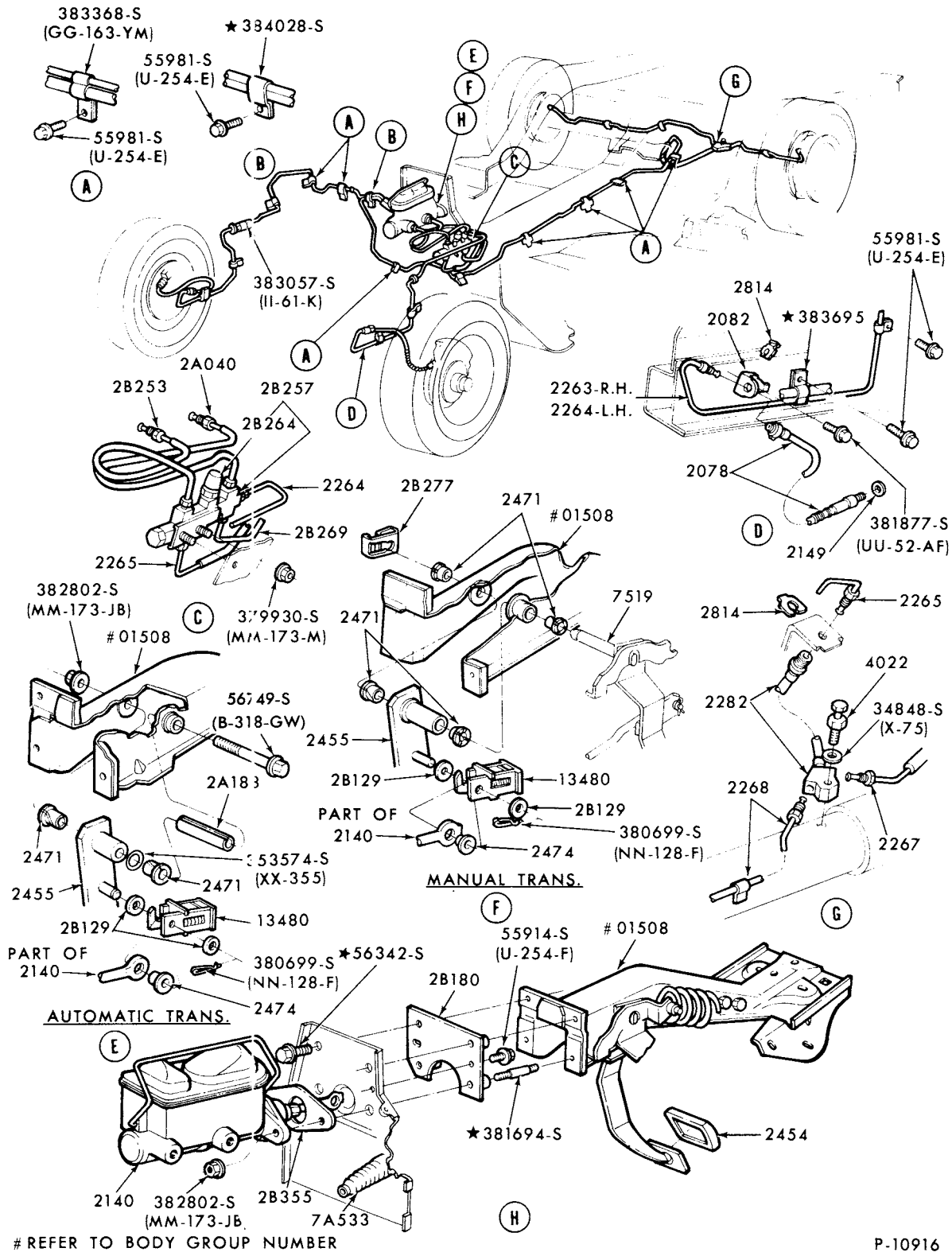
SYSTEM (HYDRO-BOOSTER)-w/REAR DRUM BRAKES 1974/ LINCOLN



BUY IT NOW!

Click Here To Order





P-10916

100% SATISFACTION GUARANTEED

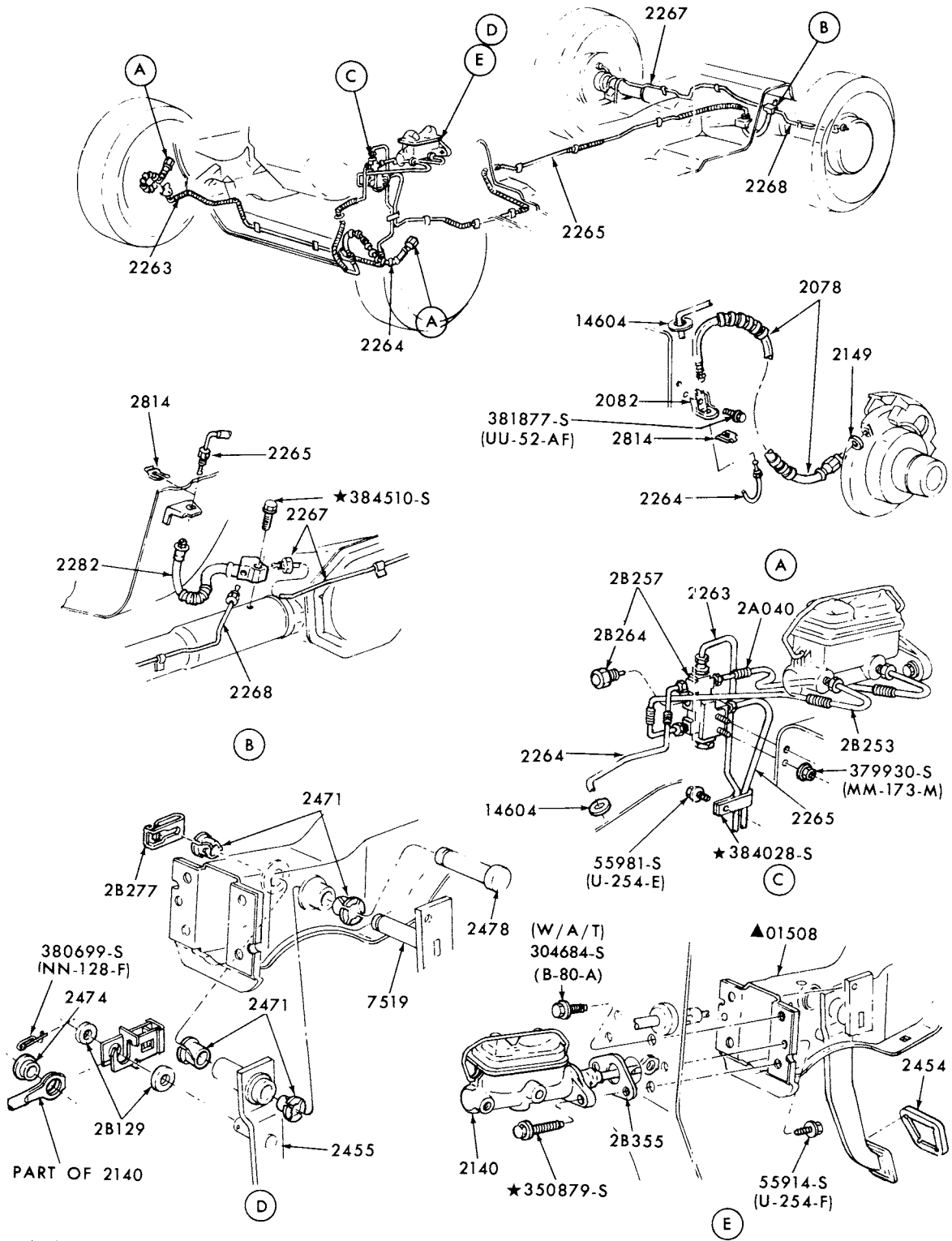
BUY IT NOW!

Click Here To Order

PayPal, American Express, Discover, MasterCard, VISA

DISC BRAKE SYSTEM
 1974 COMET

1973/79 LINCOLN-MERCURY CARS



▲REFER TO BODY GROUP NUMBER

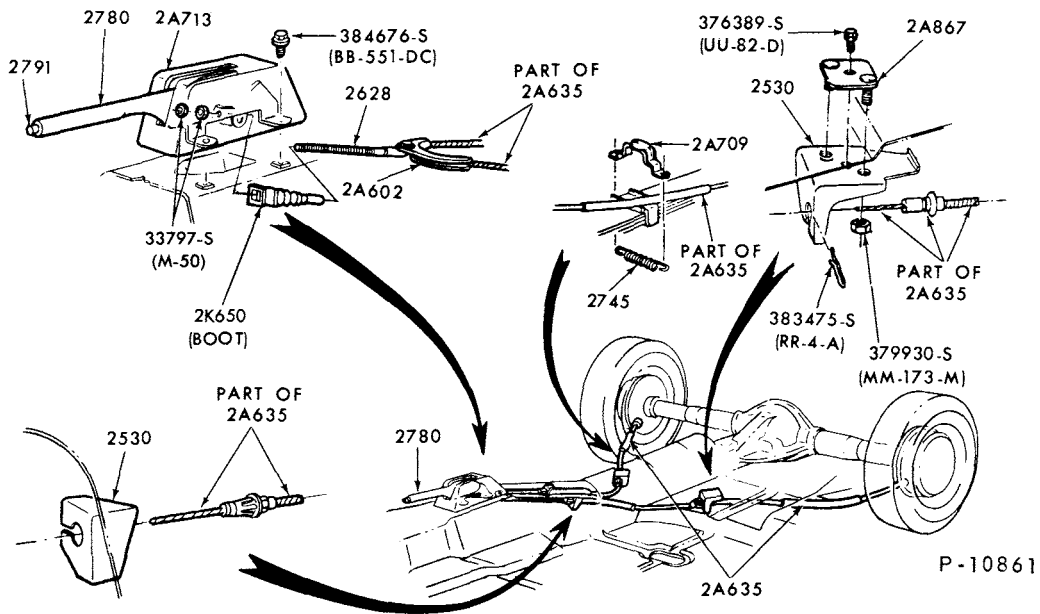
P-10894

100% SATISFACTION GUARANTEED

BUY IT NOW!

Click Here To Order

DISC BRAKE SYSTEM
1974 BOBCAT



PARKING BRAKE SYSTEM
1974/78 BOBCAT



BUY IT NOW!

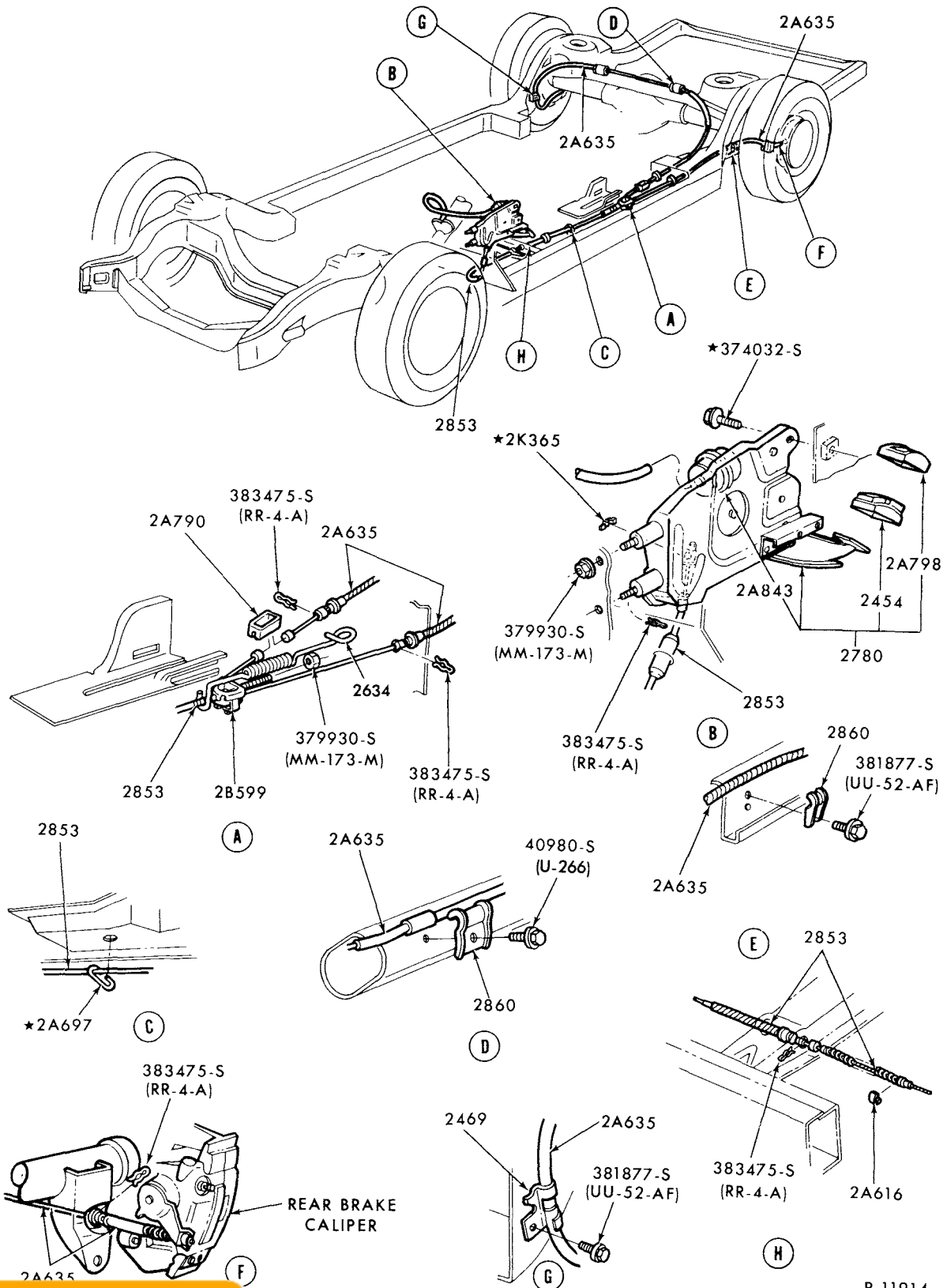
Click Here To Order

COPYRIGHT © 1982 — FORD MOTOR — DEARBORN, MICHIGAN
COMPANY

CHANGE 1



1973/79 LINCOLN-MERCURY CARS



P-11914



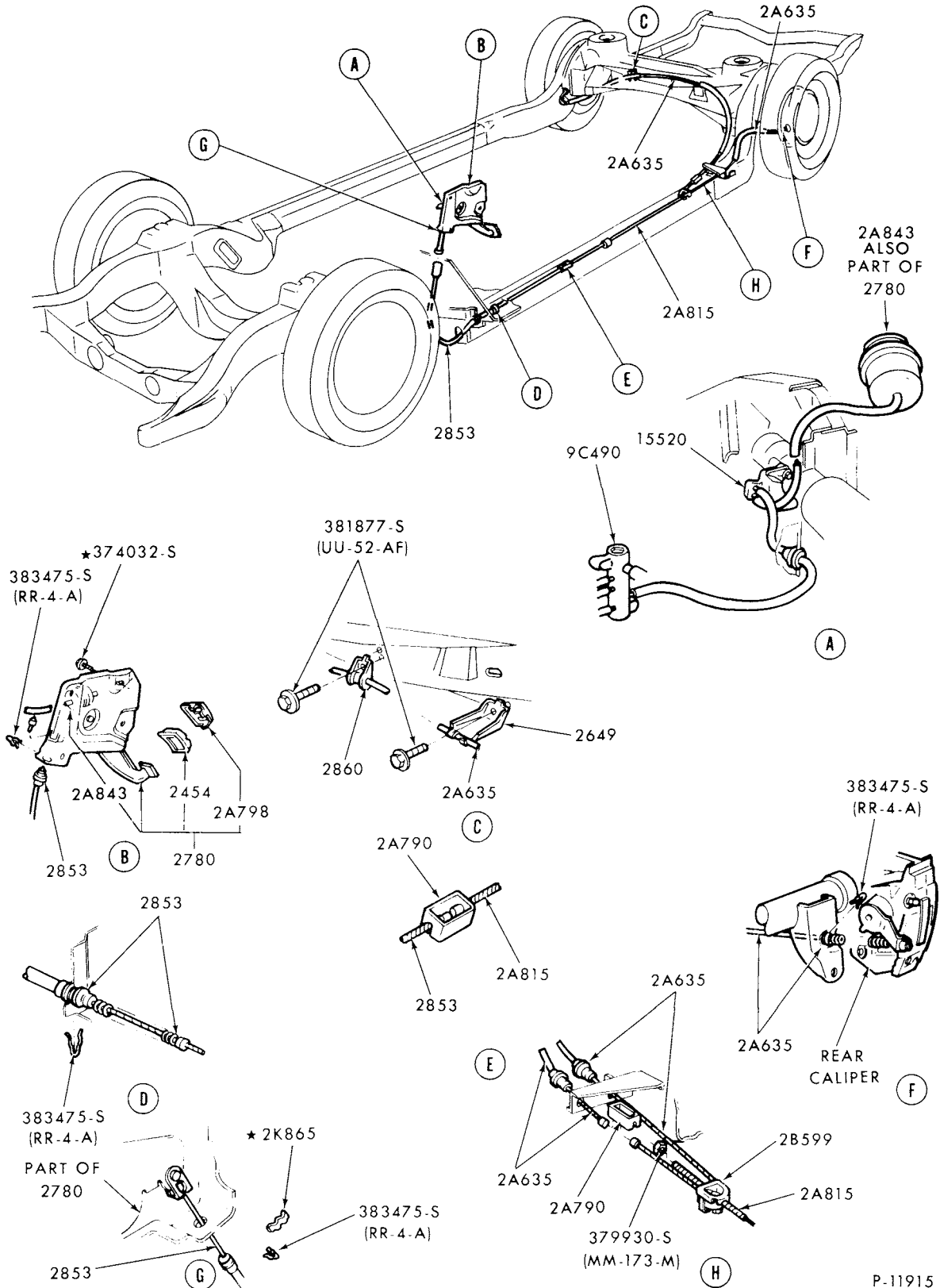
BUY IT NOW!

Click Here To Order

WORKING BRAKE SYSTEM-w/REAR DISC BRAKE
1975/78 LINCOLN



1973/79 LINCOLN-MERCURY CARS



P-11915

PARKING BRAKE SYSTEM

975/76 MARK IV and 1977/78 MARK V

COPYRIGHT © 1982 — FORD MOTOR — DEARBORN, MICHIGAN
COMPANY

NEW ISSUE

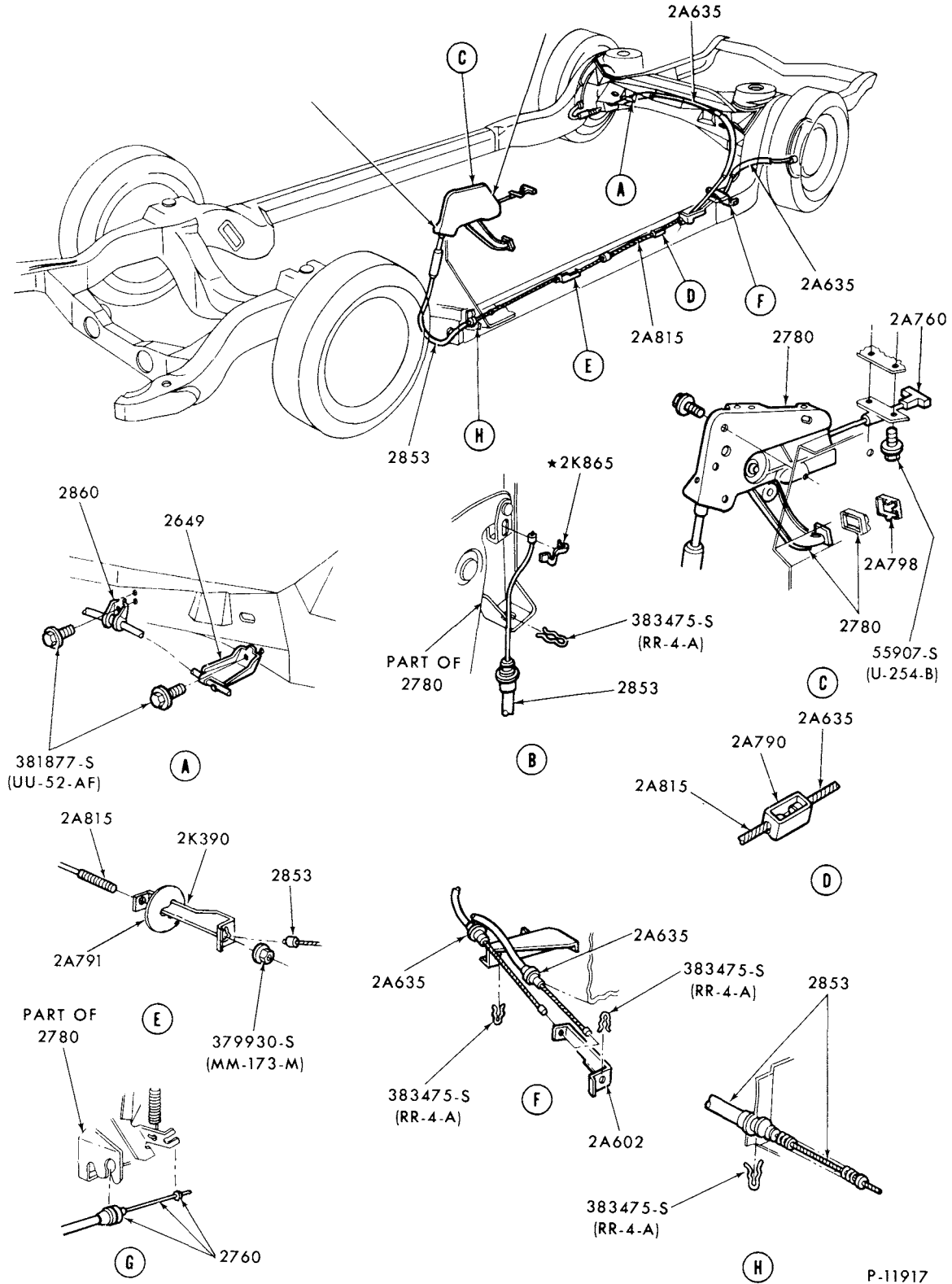


BUY IT NOW!

Click Here To Order



1973/79 LINCOLN-MERCURY CARS



P-11917

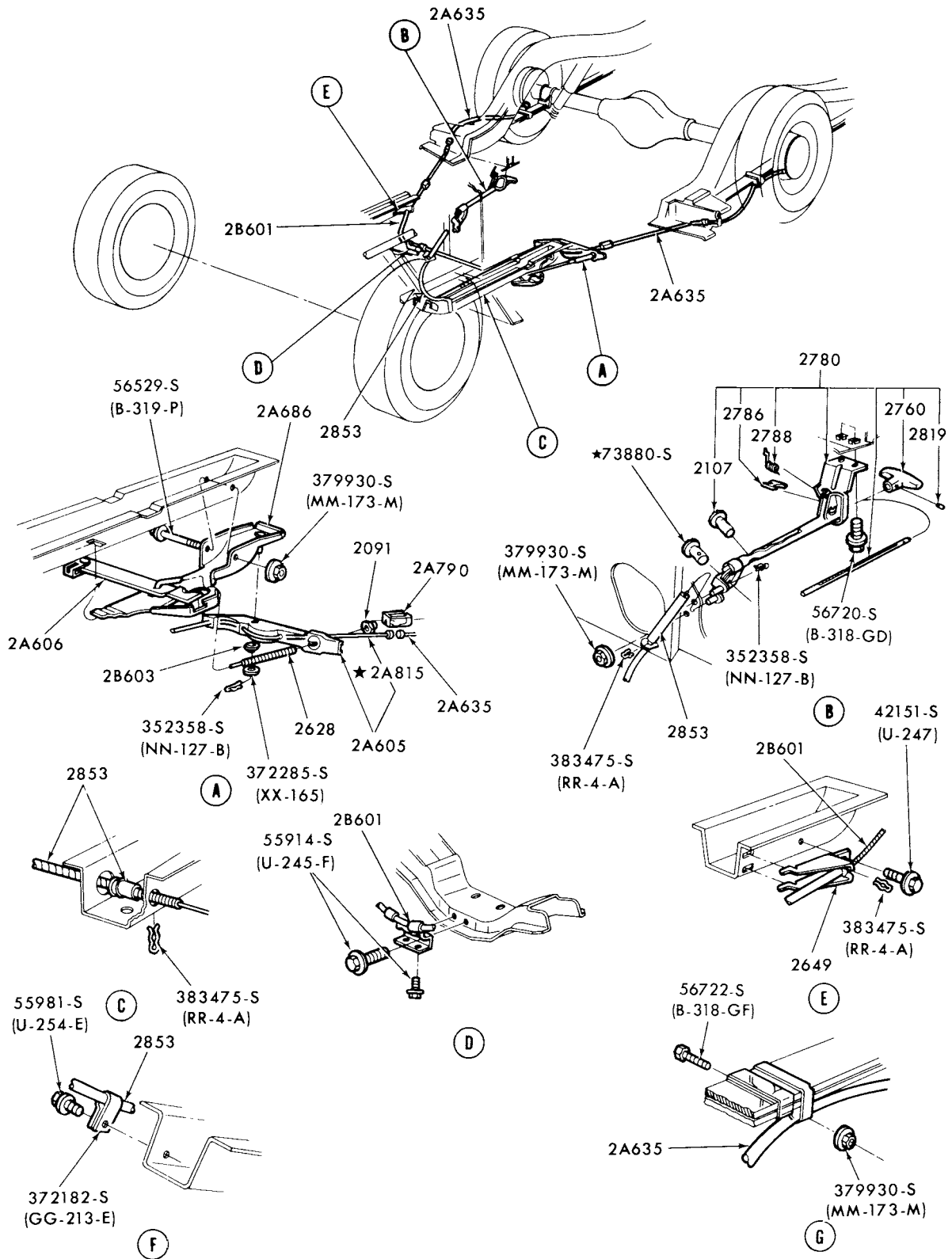
PARKING BRAKE SYSTEM
 5/76 MONTEGO and 1975/ COUGAR

SATISFACTION 100% GUARANTEED

BUY IT NOW!

Click Here To Order

1973/79 LINCOLN-MERCURY CARS



P-11918

PARKING BRAKE SYSTEM 1975 COMET

COPYRIGHT © 1982 — FORD MOTOR — DEARBORN, MICHIGAN
COMPANY

NEW ISSUE

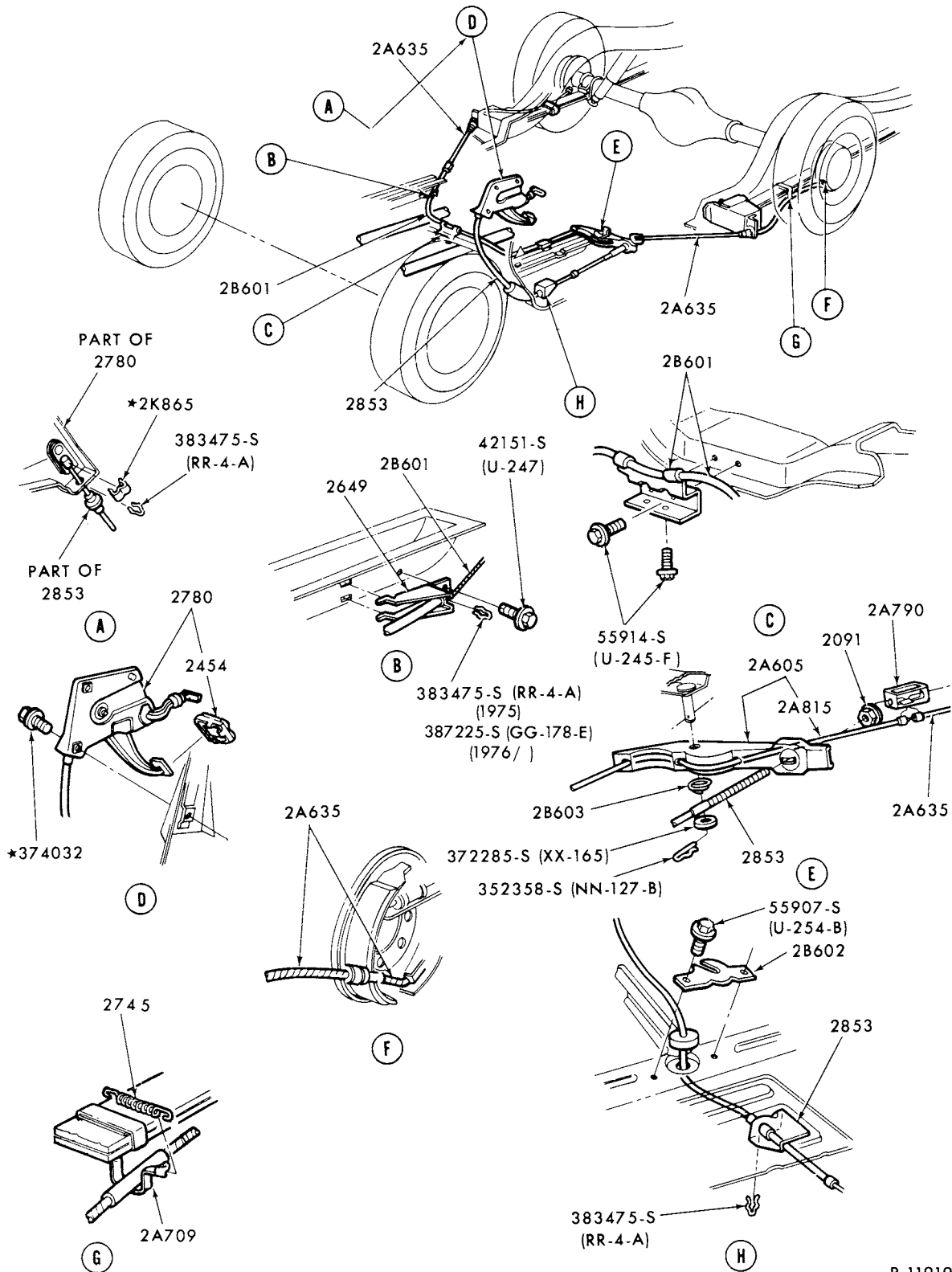
100% SATISFACTION GUARANTEED

BUY IT NOW!

Click Here To Order

PayPal, American Express, Discover, MasterCard, VISA

**1973/79
LINCOLN-MERCURY CARS**



P-11919



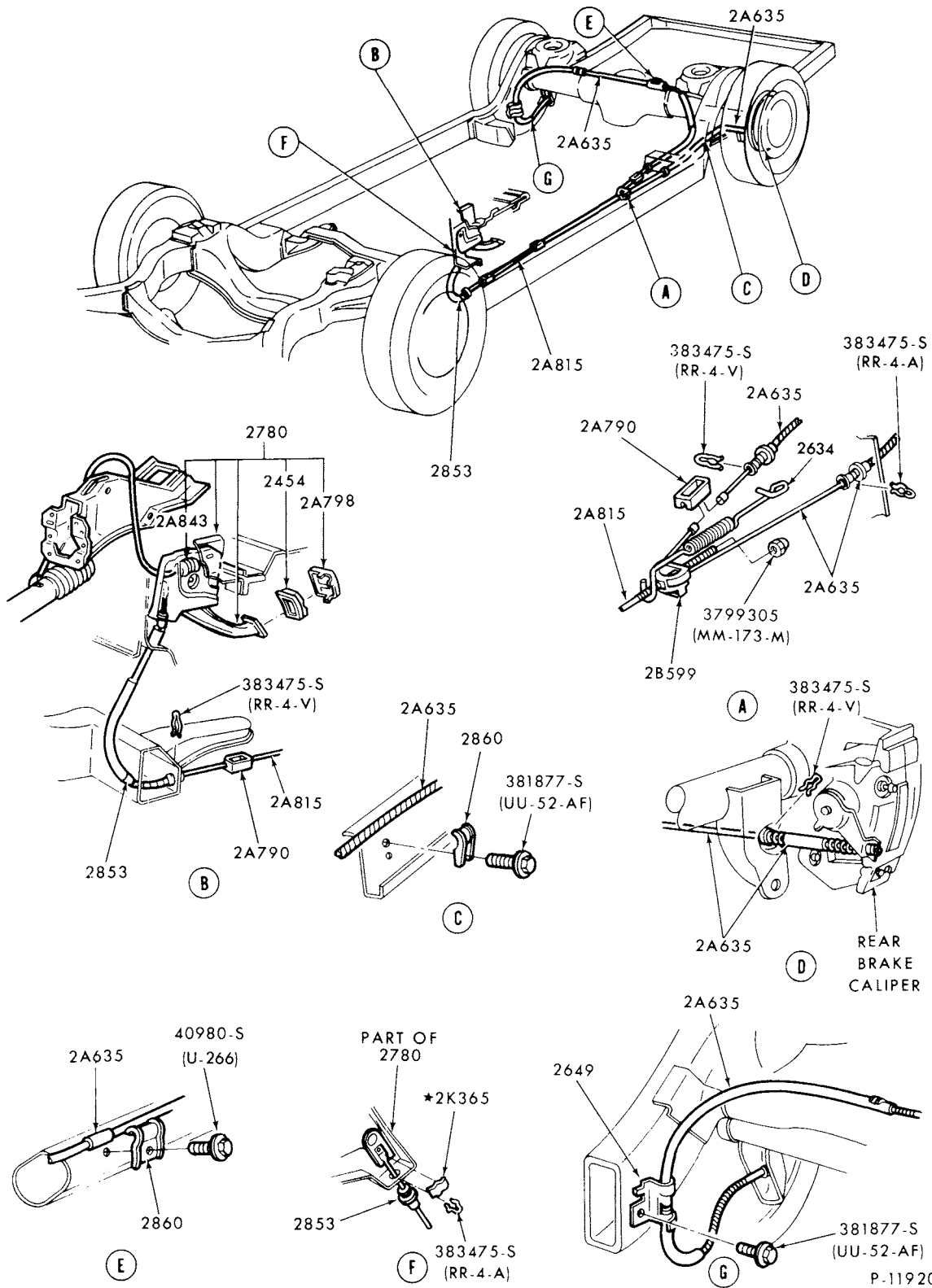
BUY IT NOW!

Click Here To Order

REAR BRAKE SYSTEM-w/REAR DRUM BRAKES
1975/76 MONARCH



1973/79 LINCOLN-MERCURY CARS



WORKING BRAKE SYSTEM-w/REAR DISC BRAKE
1975/78 MERCURY and METEOR

COPYRIGHT © 1982 — FORD MOTOR — DEARBORN, MICHIGAN
COMPANY

NEW ISSUE

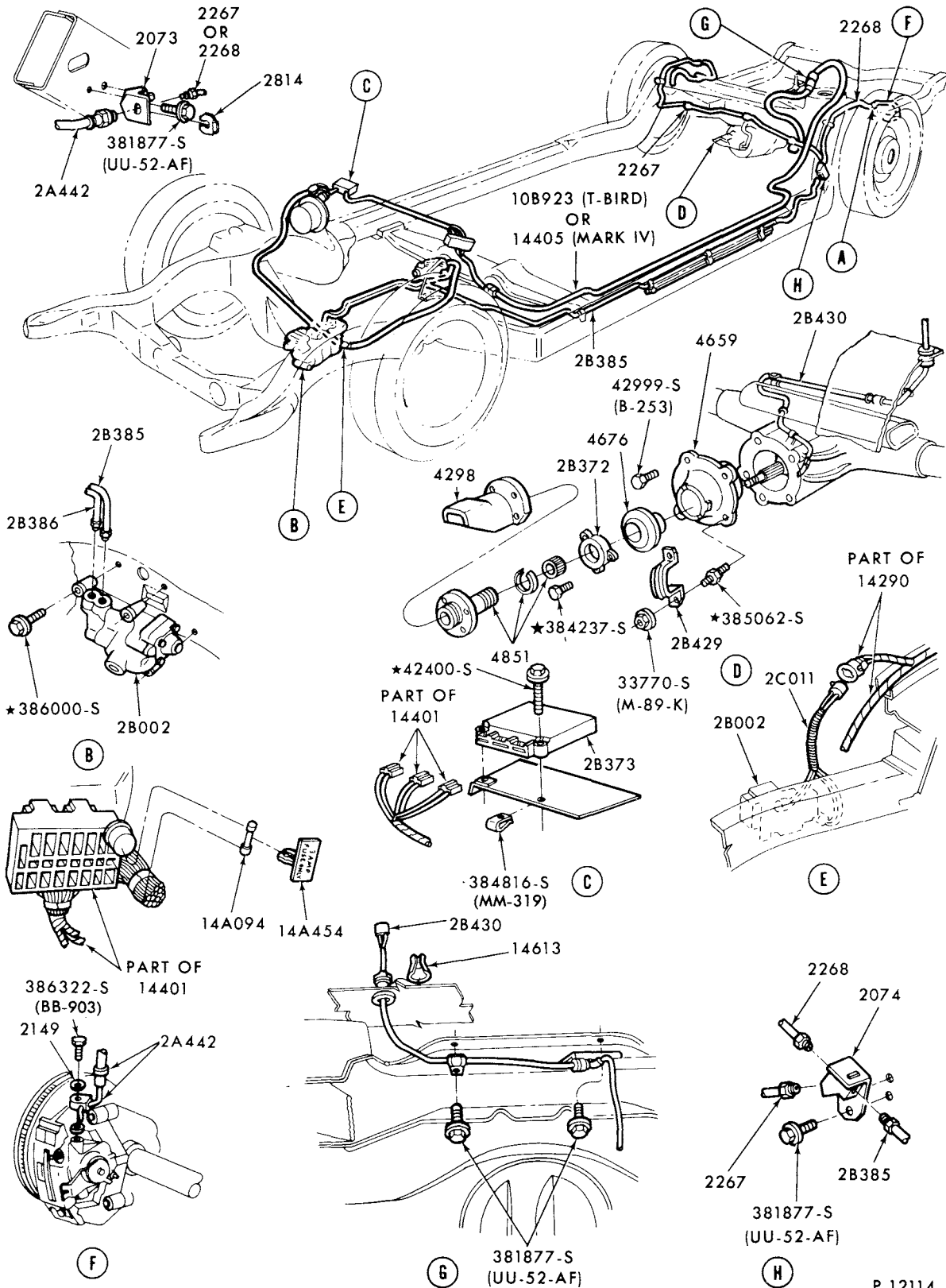


BUY IT NOW!

Click Here To Order



**1973/79
LINCOLN-MERCURY CARS**



P-12114

SKID CONTROL SYSTEM (SURE-TRACK)
1975/76 MARK IV and 1977/ MARK V

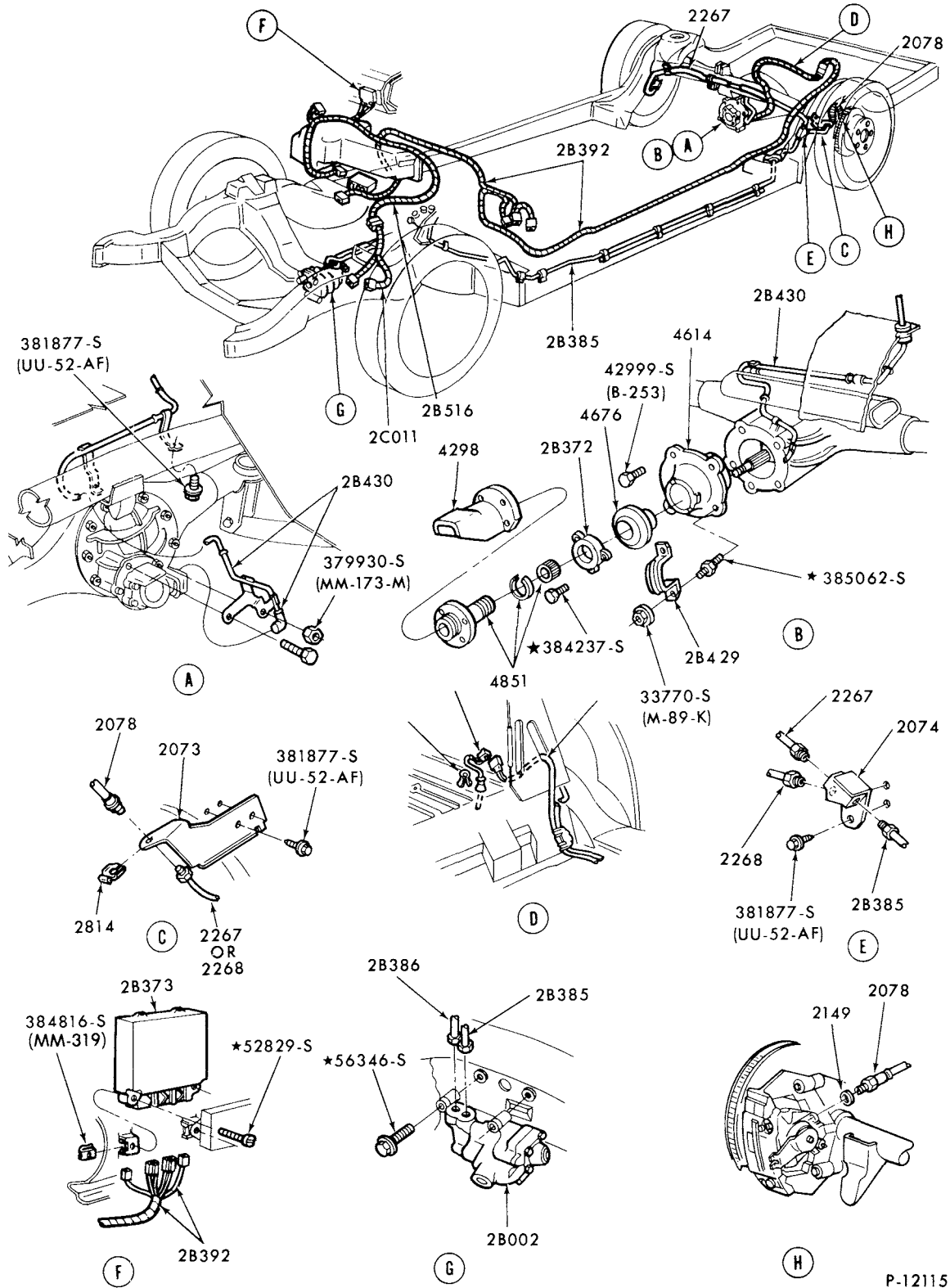


BUY IT NOW!

[Click Here To Order](#)



**1973/79
LINCOLN-MERCURY CARS**



P-12115

TRAKE SKID CONTROL SYSTEM (SURE-TRACK)
1975/76 MERCURY and METEOR

COPYRIGHT © 1982 — FORD MOTOR — DEARBORN, MICHIGAN
COMPANY

NEW ISSUE

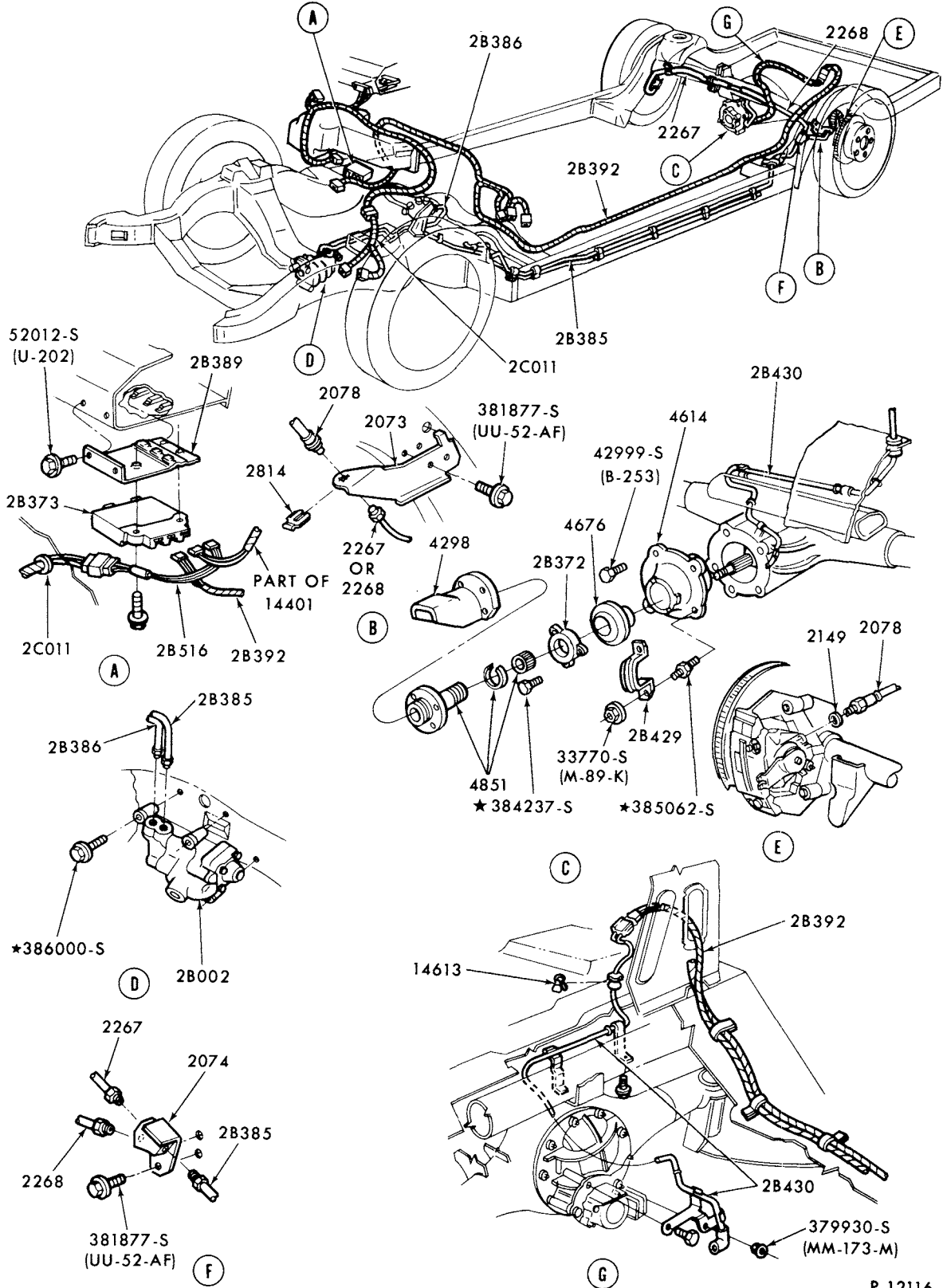
100% SATISFACTION GUARANTEED

BUY IT NOW!

Click Here To Order

PayPal, American Express, Discover, MasterCard, VISA

1973/79 LINCOLN-MERCURY CARS



P-12116

BRAKE SKID CONTROL SYSTEM (SURE-TRACK)
1975/ LINCOLN

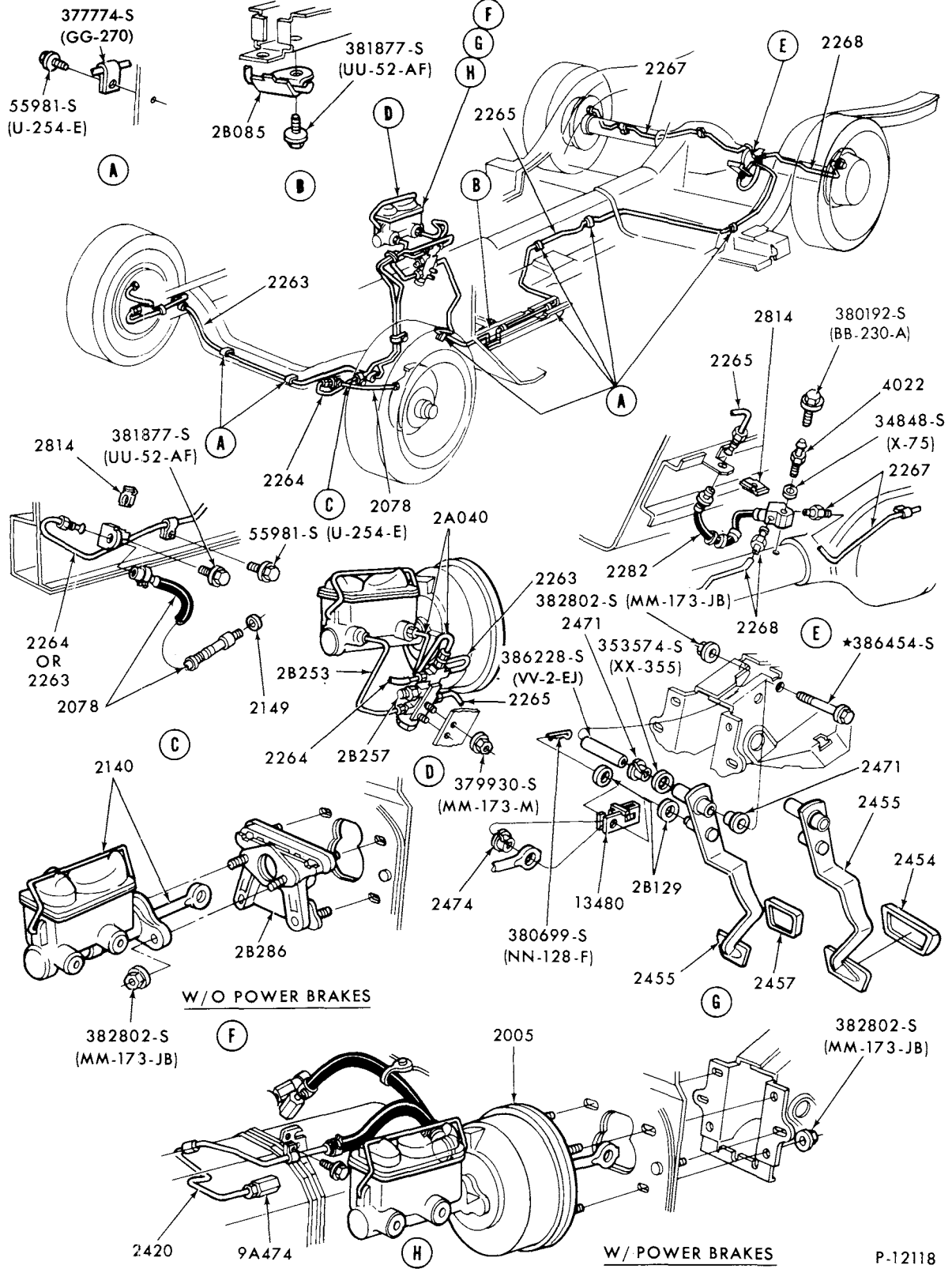
SATISFACTION 100% GUARANTEED

BUY IT NOW!

Click Here To Order

PayPal American Express Discover MasterCard VISA

1973/79 LINCOLN-MERCURY CARS



BUY IT NOW!

[Click Here To Order](#)

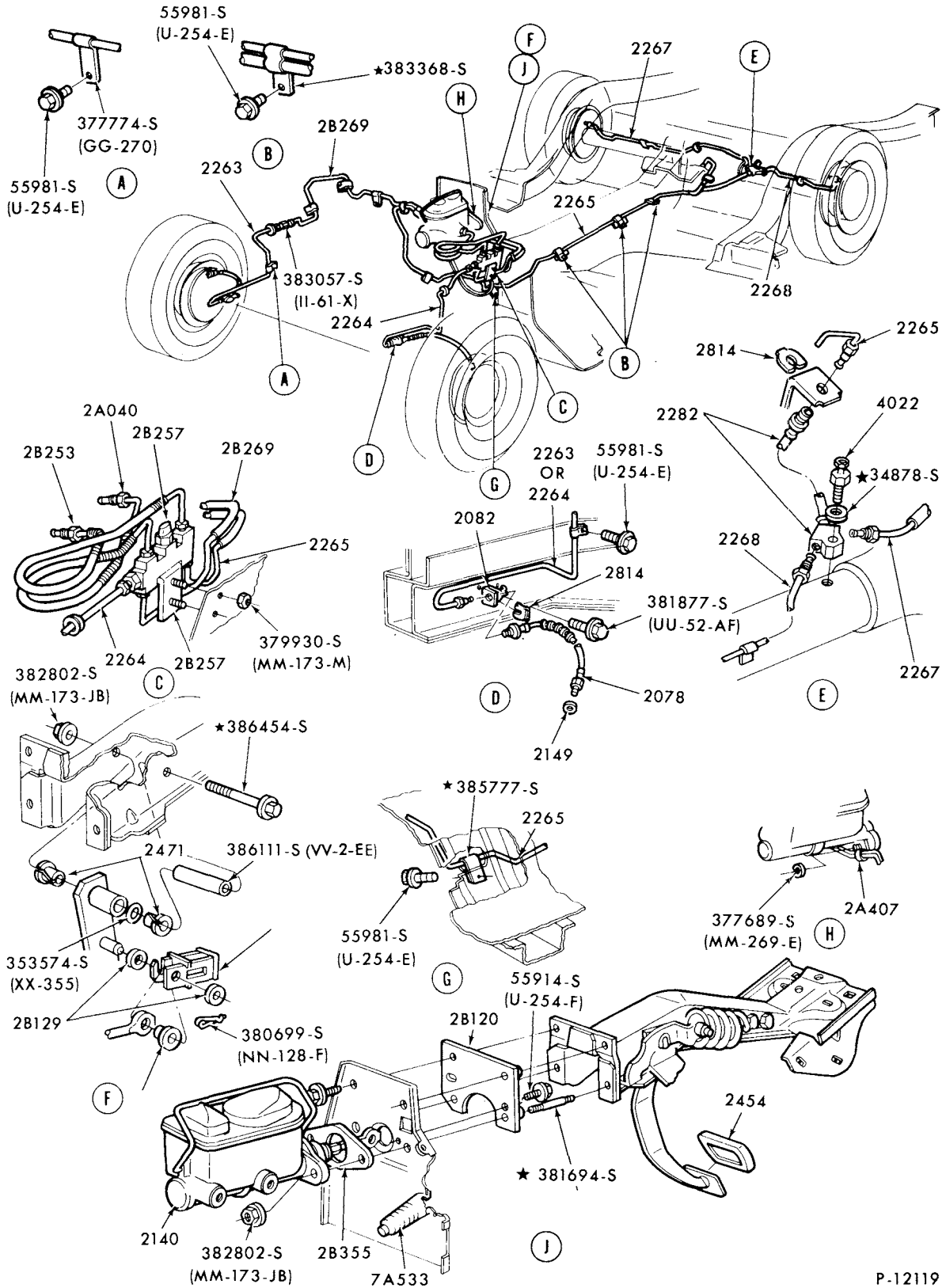
DISC BRAKE SYSTEM-w/REAR DRUM BRAKE
1975/ MONARCH

COPYRIGHT © 1982 — FORD MOTOR — DEARBORN, MICHIGAN
COMPANY

NEW ISSUE



**1973/79
LINCOLN-MERCURY CARS**



P-12119

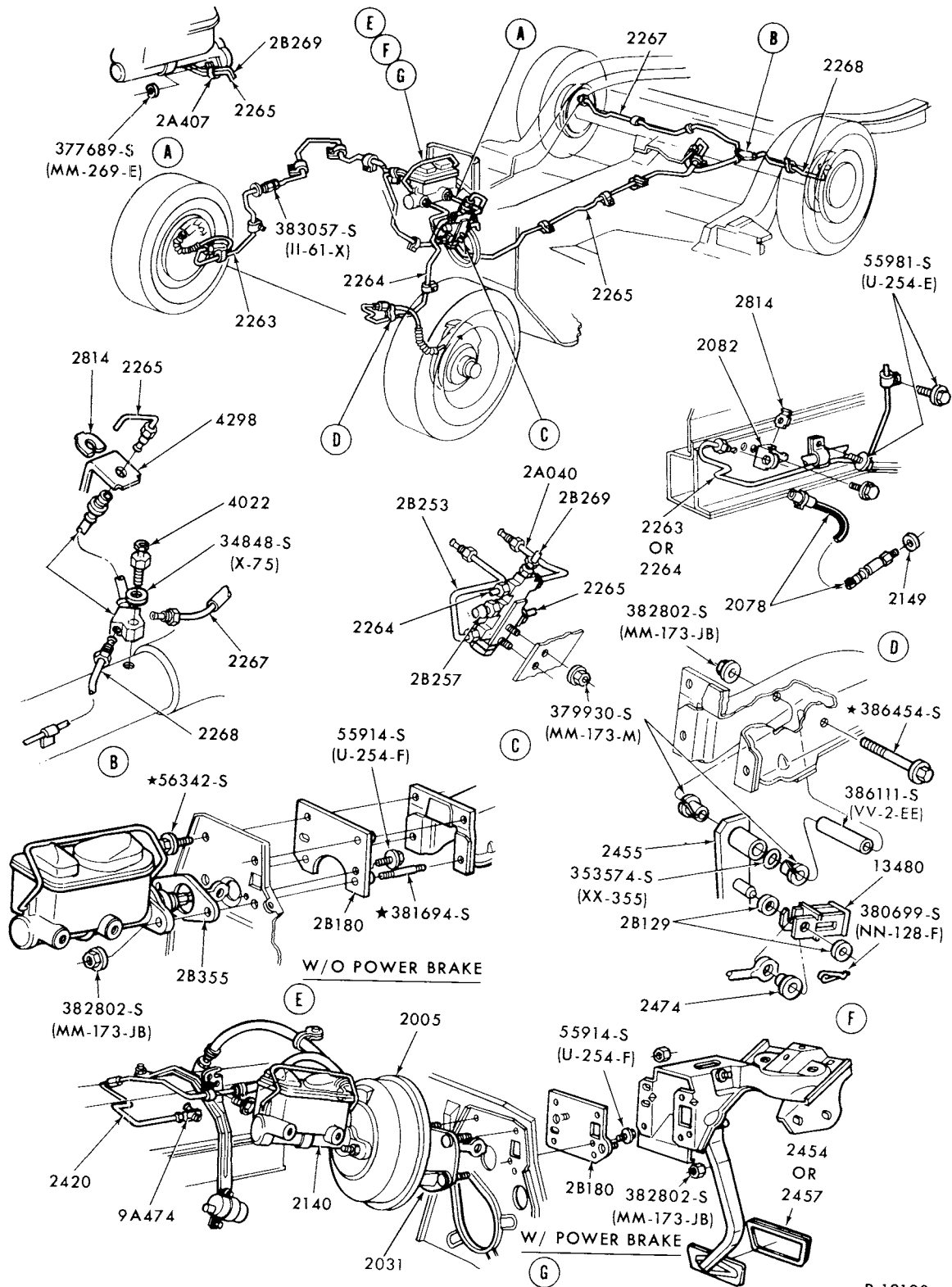
DRUM BRAKE SYSTEM
1975 COMET

100% SATISFACTION GUARANTEED

BUY IT NOW!

[Click Here To Order](#)

1973/79 LINCOLN-MERCURY CARS



P-12120

100% SATISFACTION GUARANTEED

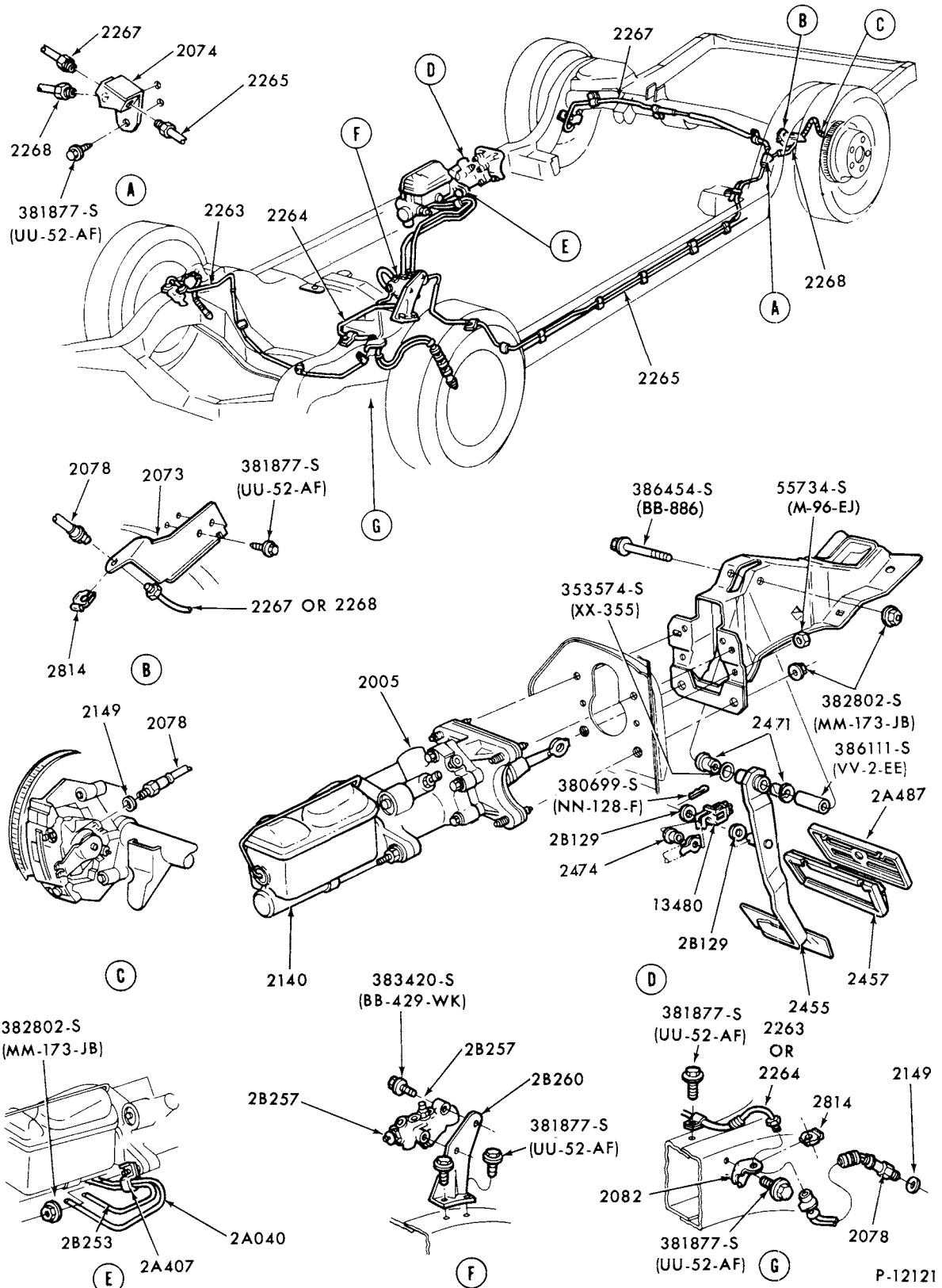
BUY IT NOW!

Click Here To Order

PayPal, American Express, Discover, MasterCard, VISA

DISC BRAKE SYSTEM 1975/77 COMET

1973/79 LINCOLN-MERCURY CARS



P-12121



BUY IT NOW!

Click Here To Order

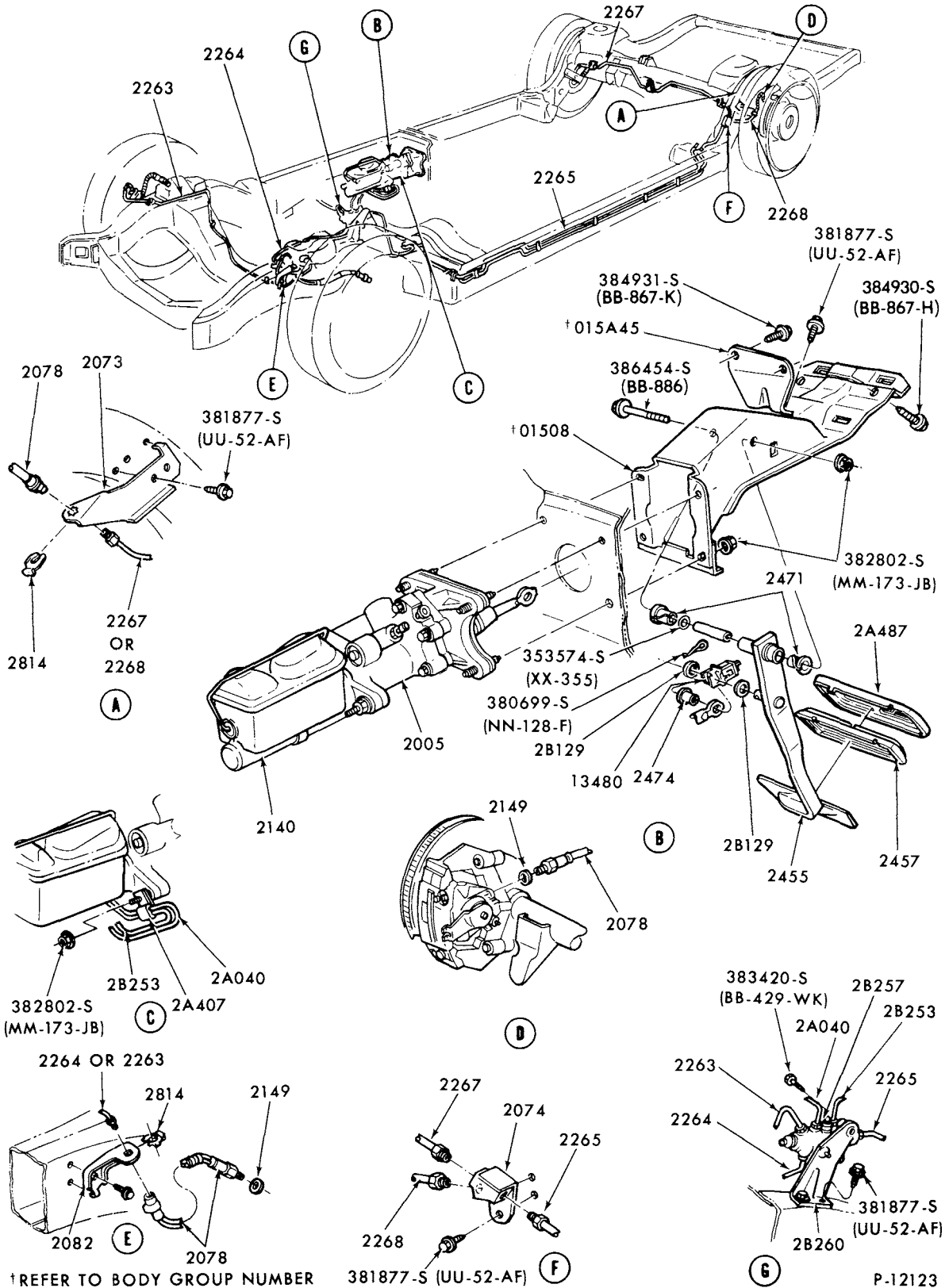
...KE SYSTEM (FRONT and REAR)-w/HYDRO-BOOST
1975/78 MERCURY and METEOR



1973/79 LINCOLN-MERCURY CARS

ILLUSTRATION
SECTION 20

35



P-12123

BRAKE SYSTEM (FRONT and REAR)-w/HYDRO-BOOST
1975/ LINCOLN

COPYRIGHT © 1982 — FORD MOTOR — DEARBORN, MICHIGAN
COMPANY

NEW ISSUE

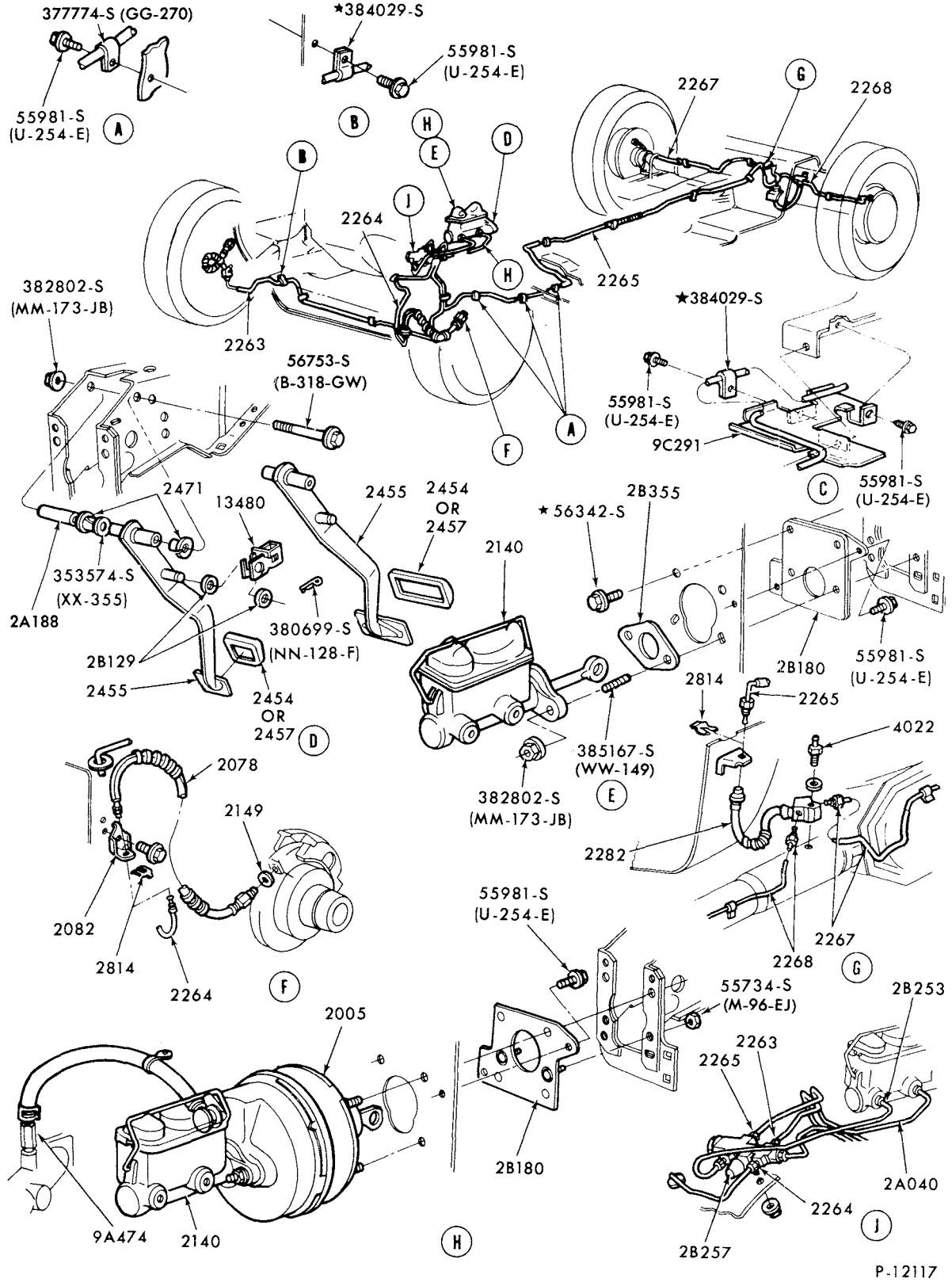


BUY IT NOW!

Click Here To Order



1973/79 LINCOLN-MERCURY CARS



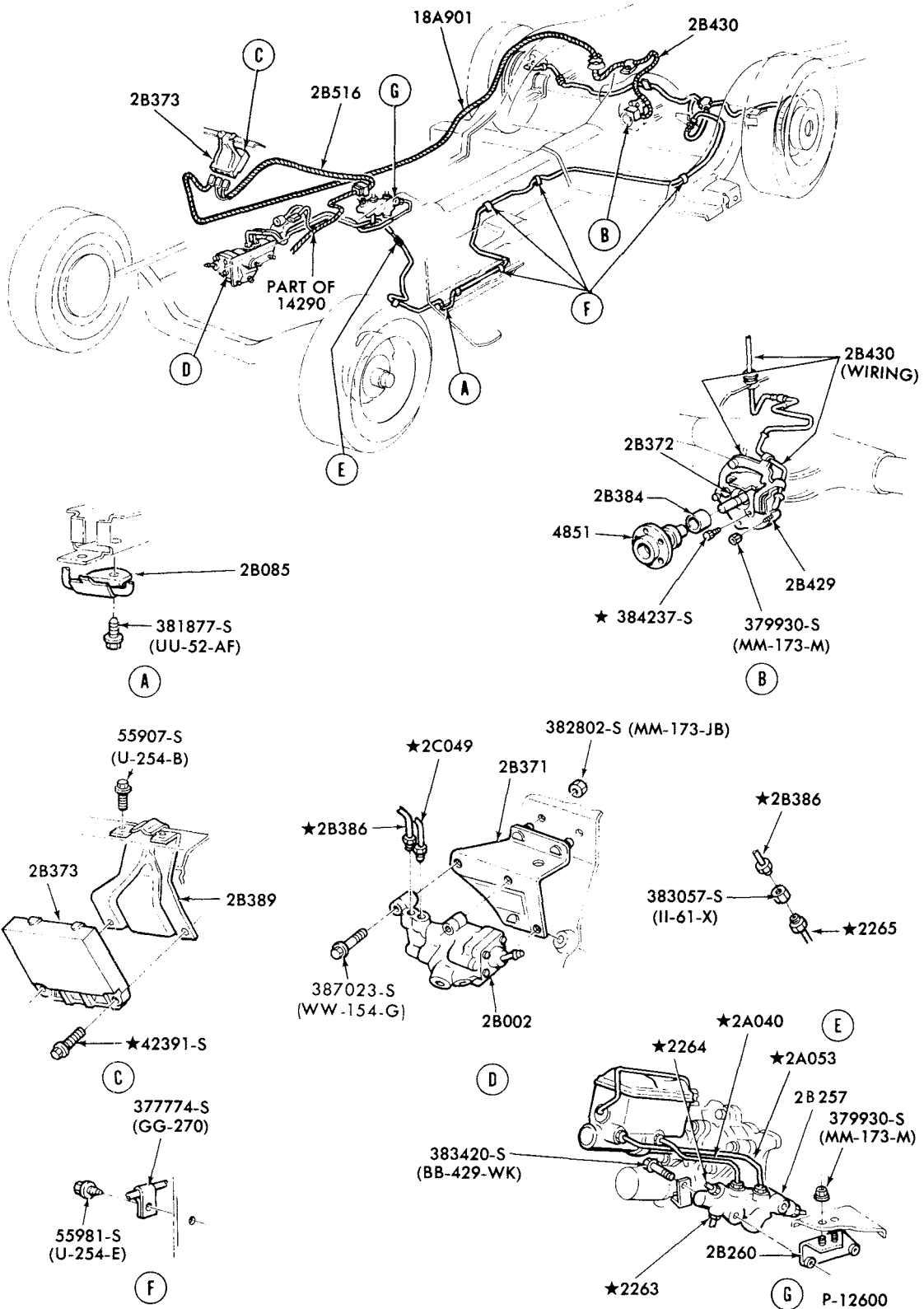
DISC BRAKE SYSTEM
1975/ BOBCAT



BUY IT NOW!

[Click Here To Order](#)





BRAKE ANTI-SKID CONTROL (SURE TRACK)
1975/76 MONARCH

COPYRIGHT © 1982 — FORD MOTOR — DEARBORN, MICHIGAN
COMPANY

NEW ISSUE

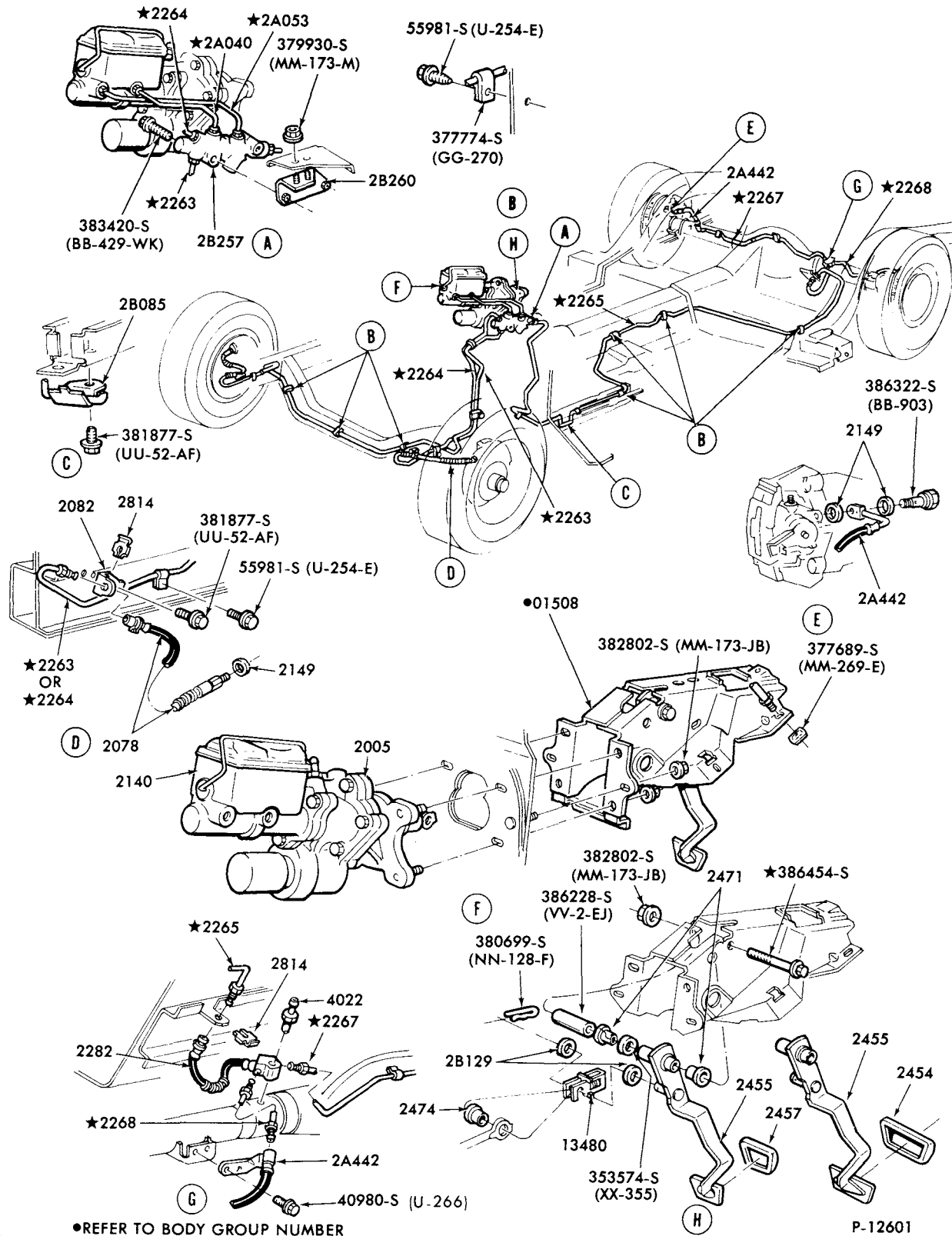


BUY IT NOW!

[Click Here To Order](#)



1973/79 LINCOLN-MERCURY CARS



•REFER TO BODY GROUP NUMBER

DISC BRAKE SYSTEM-w/REAR DISC BRAKE
1978 MONARCH and 1977/ VERSAILLES

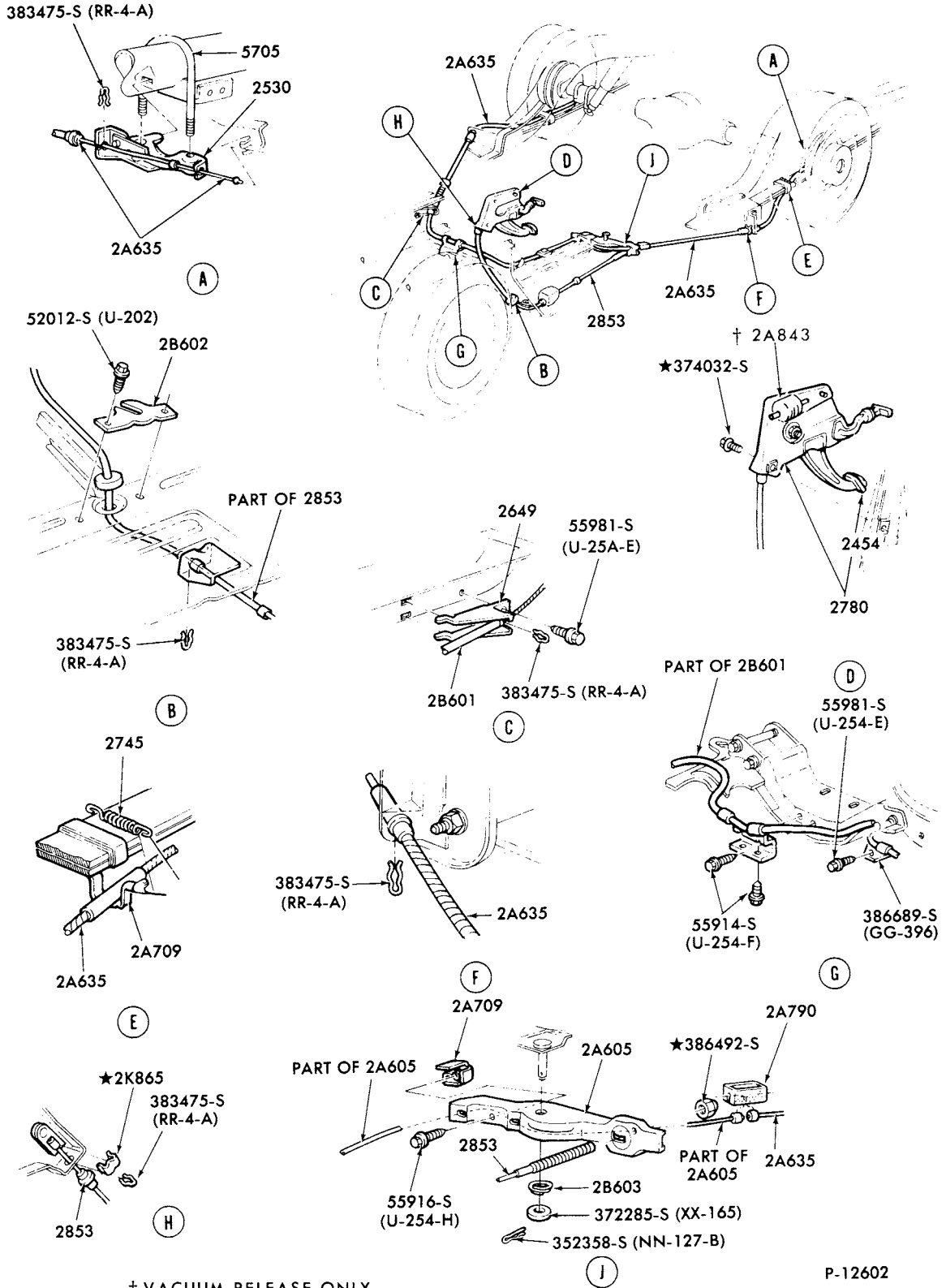


BUY IT NOW!

Click Here To Order



1973/79 LINCOLN-MERCURY CARS



† VACUUM RELEASE ONLY

P-12602

PARKING BRAKE SYSTEM-w/REAR DISC BRAKE 1975/76 MONARCH

COPYRIGHT © 1982 — FORD MOTOR — DEARBORN, MICHIGAN
COMPANY

NEW ISSUE

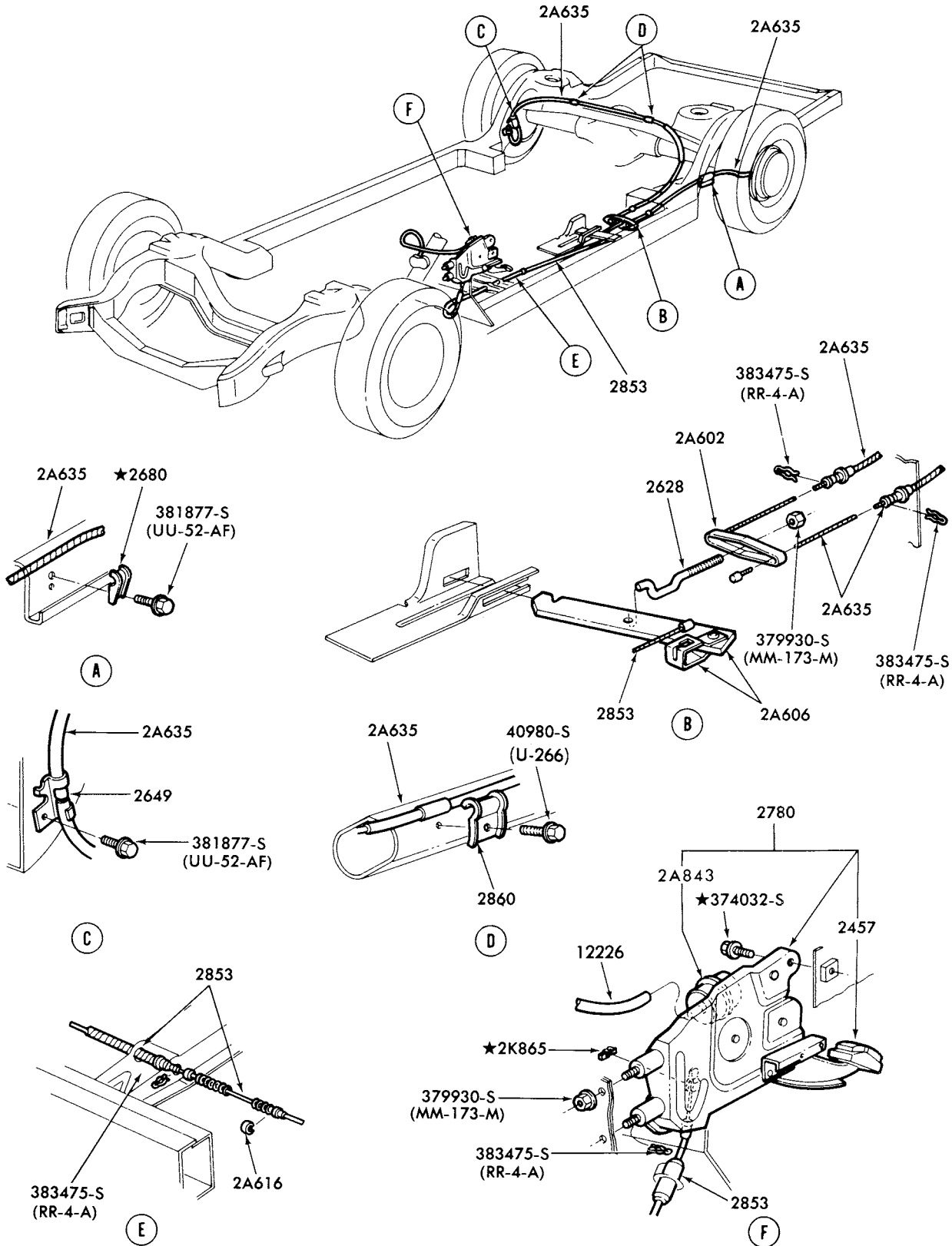
100% SATISFACTION GUARANTEED

BUY IT NOW!

Click Here To Order

PayPal, American Express, Discover, MasterCard, VISA

1973/79 LINCOLN-MERCURY CARS



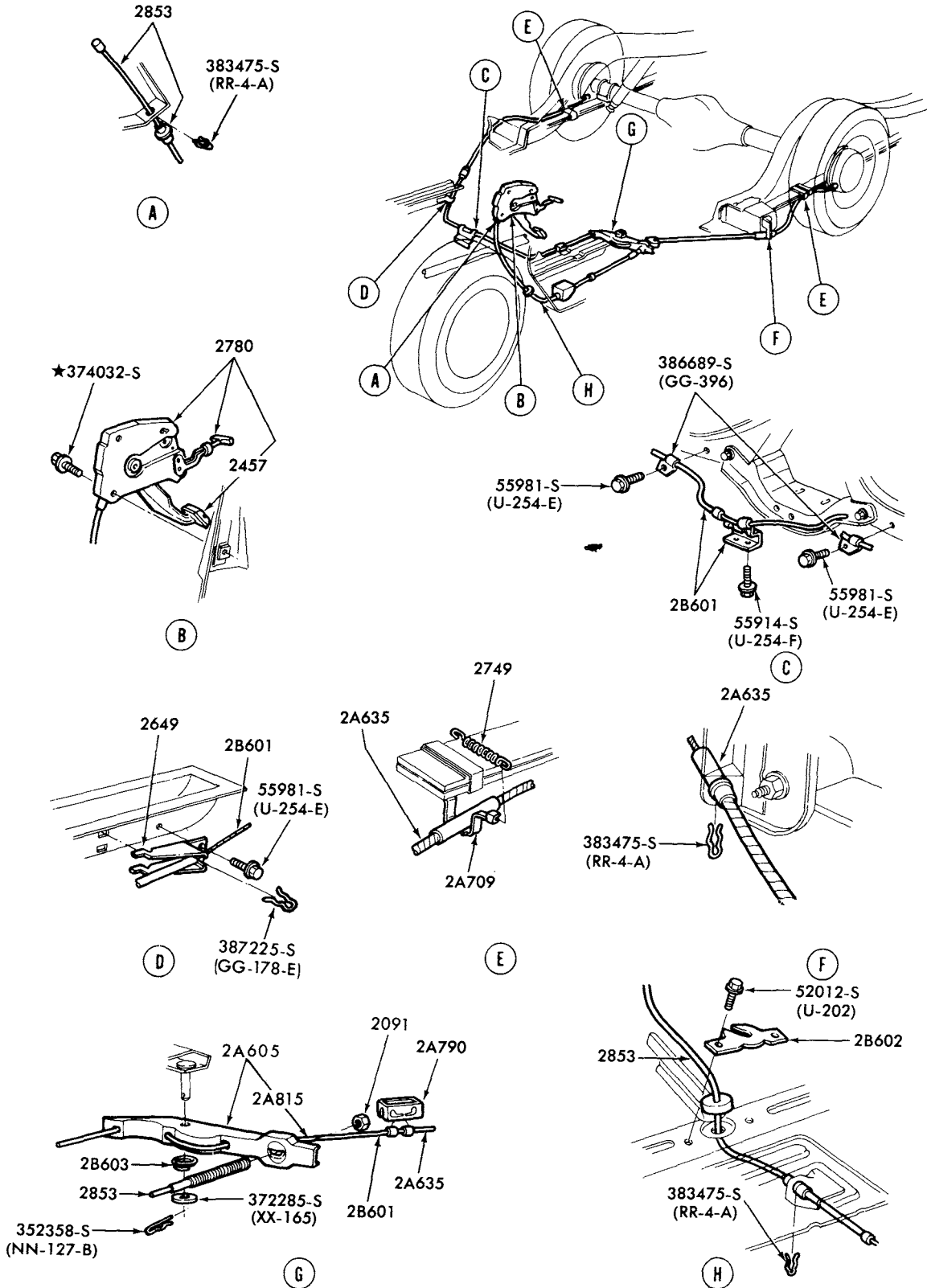
100% SATISFACTION GUARANTEED

BUY IT NOW!

Click Here To Order

REAR BRAKE SYSTEM-W/REAR DRUM BRAKES
1976/ LINCOLN

P-12793



P12794

PARKING BRAKE SYSTEM
1976/77 COMET

COPYRIGHT © 1982 FORD MOTOR-DEARBORN, MICHIGAN COMPANY

Change No. 1

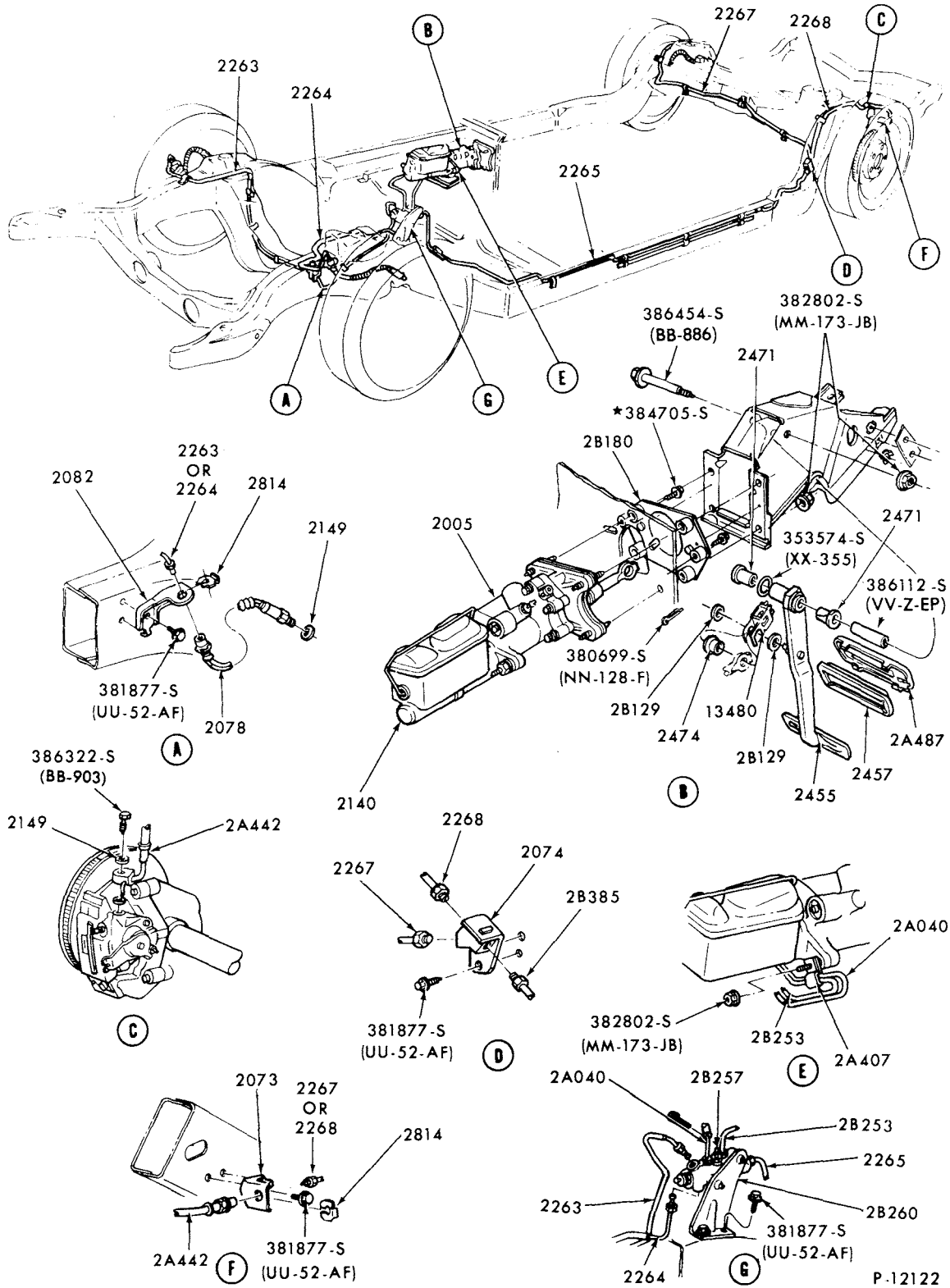


BUY IT NOW!

Click Here To Order



1973/79 LINCOLN-MERCURY CARS



DISC BRAKE SYSTEM-w/REAR DISC BRAKES
1975/76 MARK IV and 1977/ MARK V

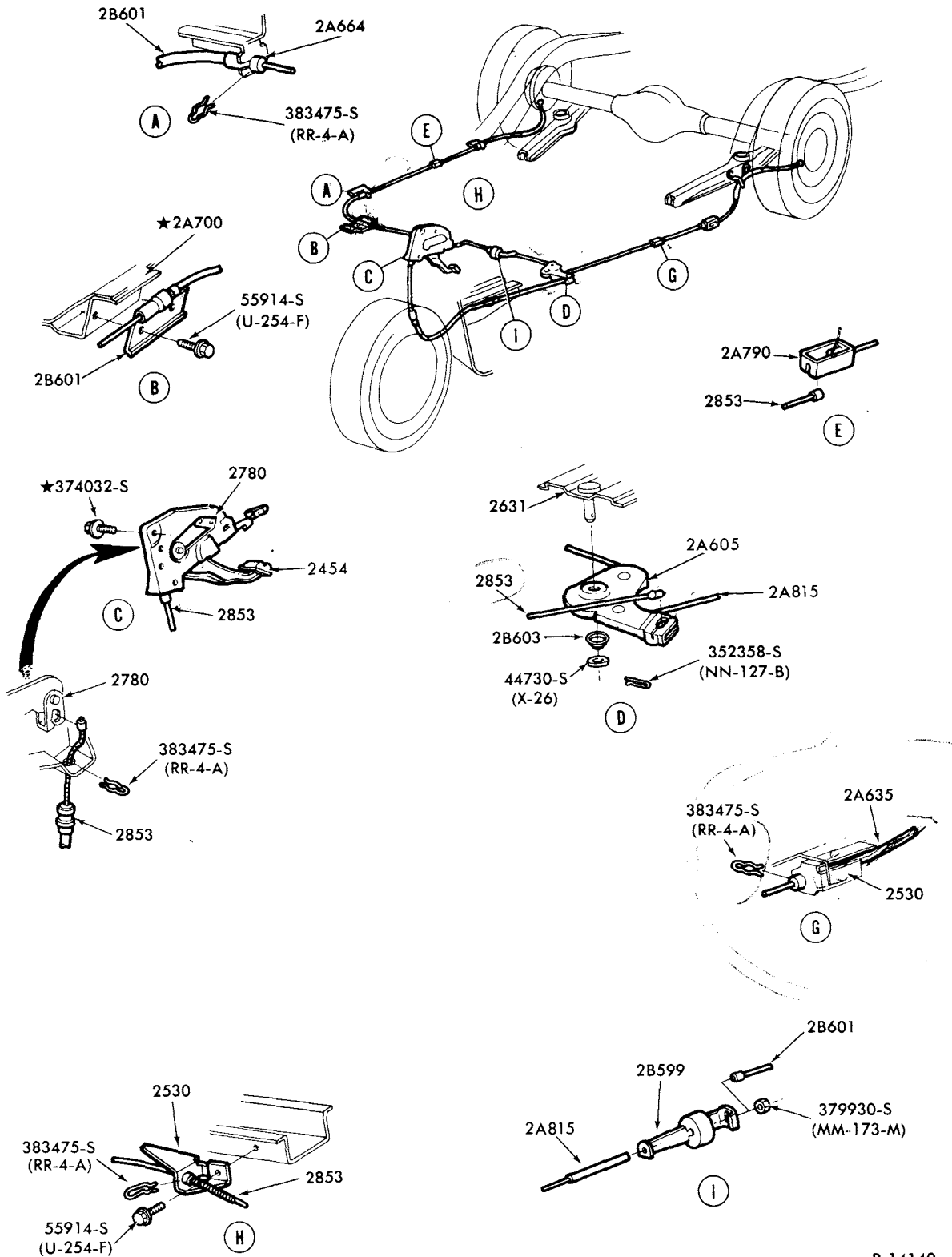


BUY IT NOW!

Click Here To Order



1973/79 LINCOLN-MERCURY CARS



P-14140

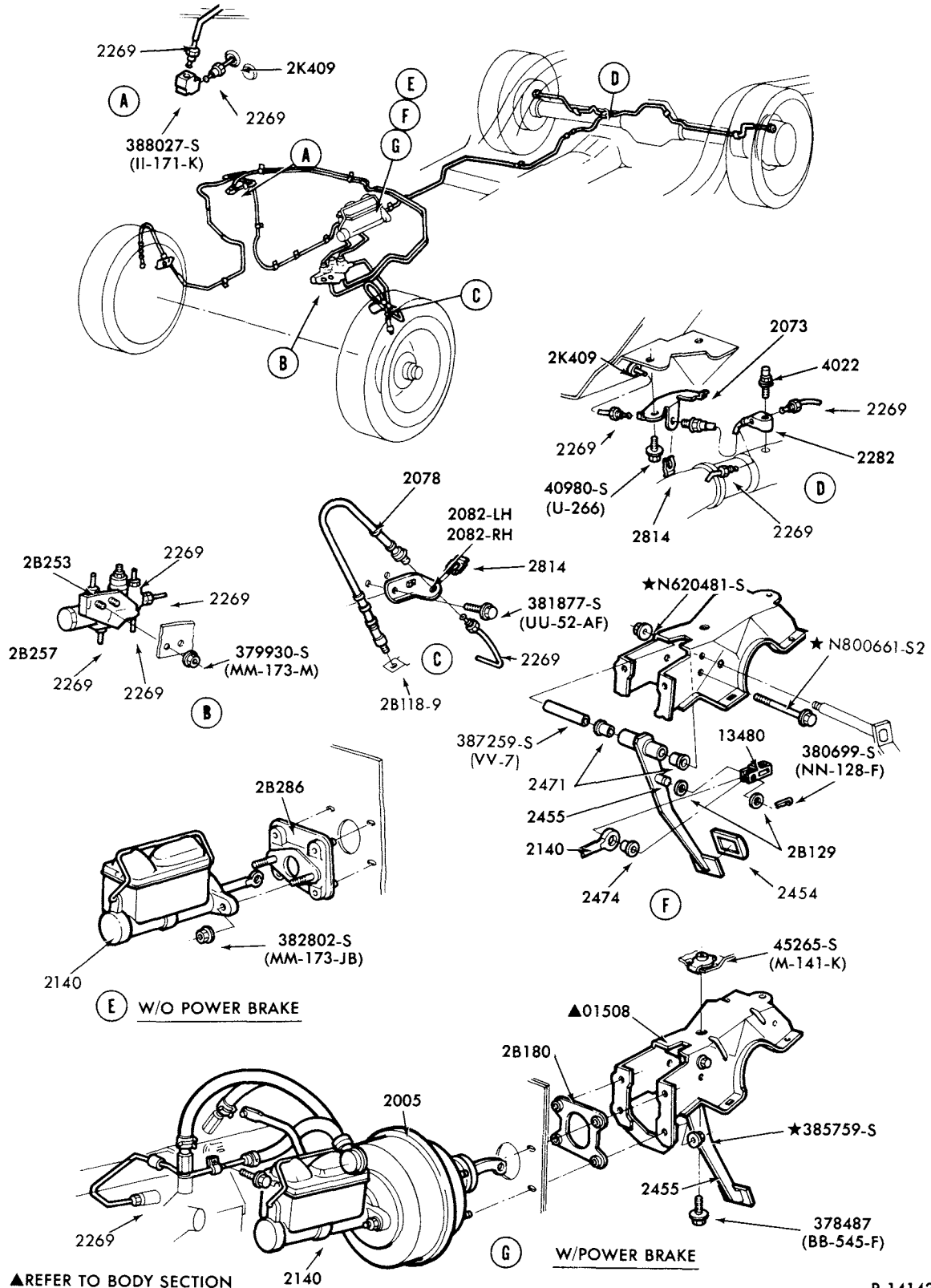


BUY IT NOW!

[Click Here To Order](#)

PARKING BRAKE SYSTEM 1978/ ZEPHYR





▲REFER TO BODY SECTION

P-14142

DISC BRAKE SYSTEM

1978/ ZEPHYR and 1979 CAPRI

COPYRIGHT © 1982 — FORD MOTOR — DEARBORN, MICHIGAN
COMPANY

NEW ISSUE

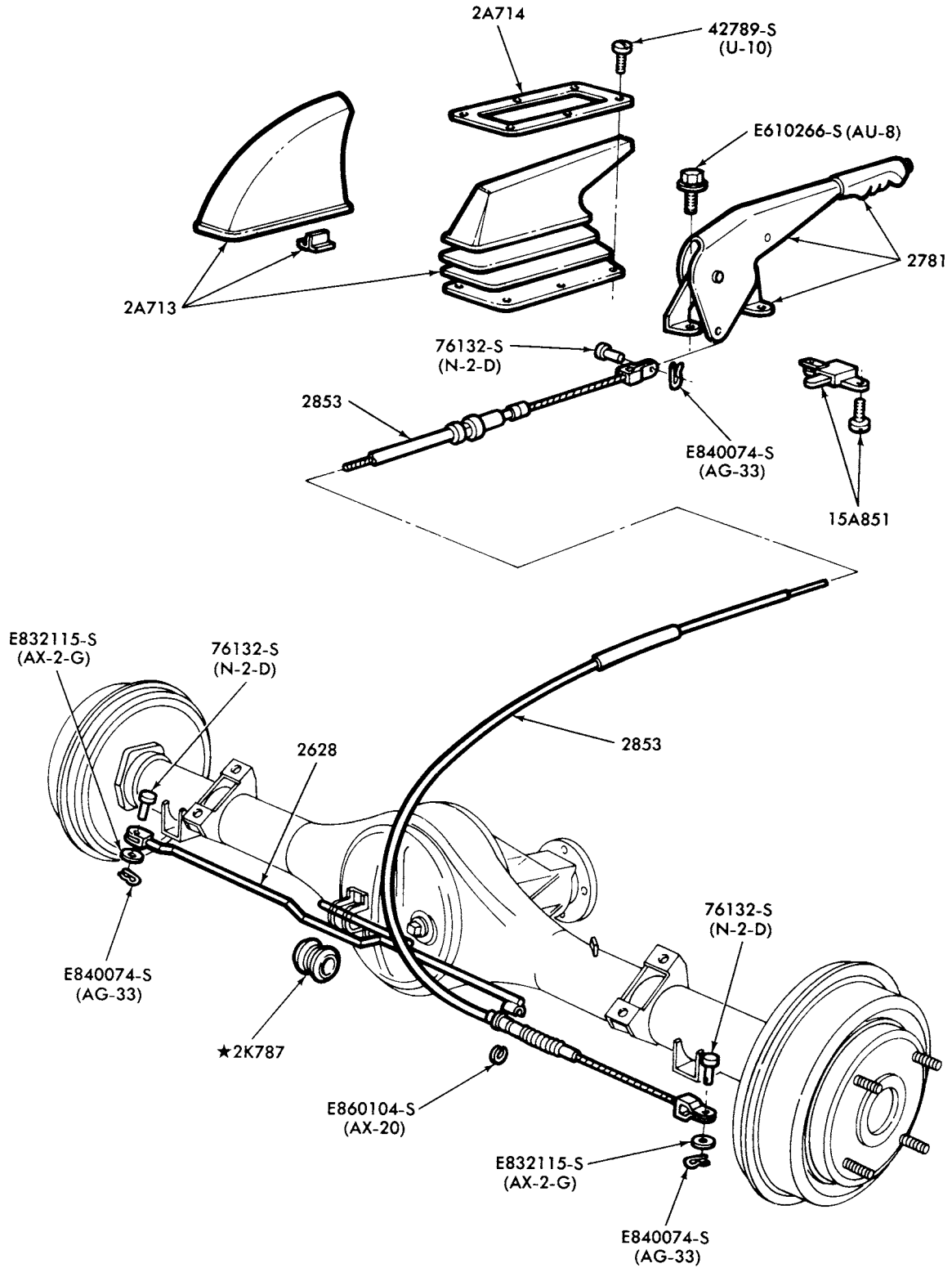


BUY IT NOW!

Click Here To Order



1973/79 LINCOLN-MERCURY CARS



P-14211

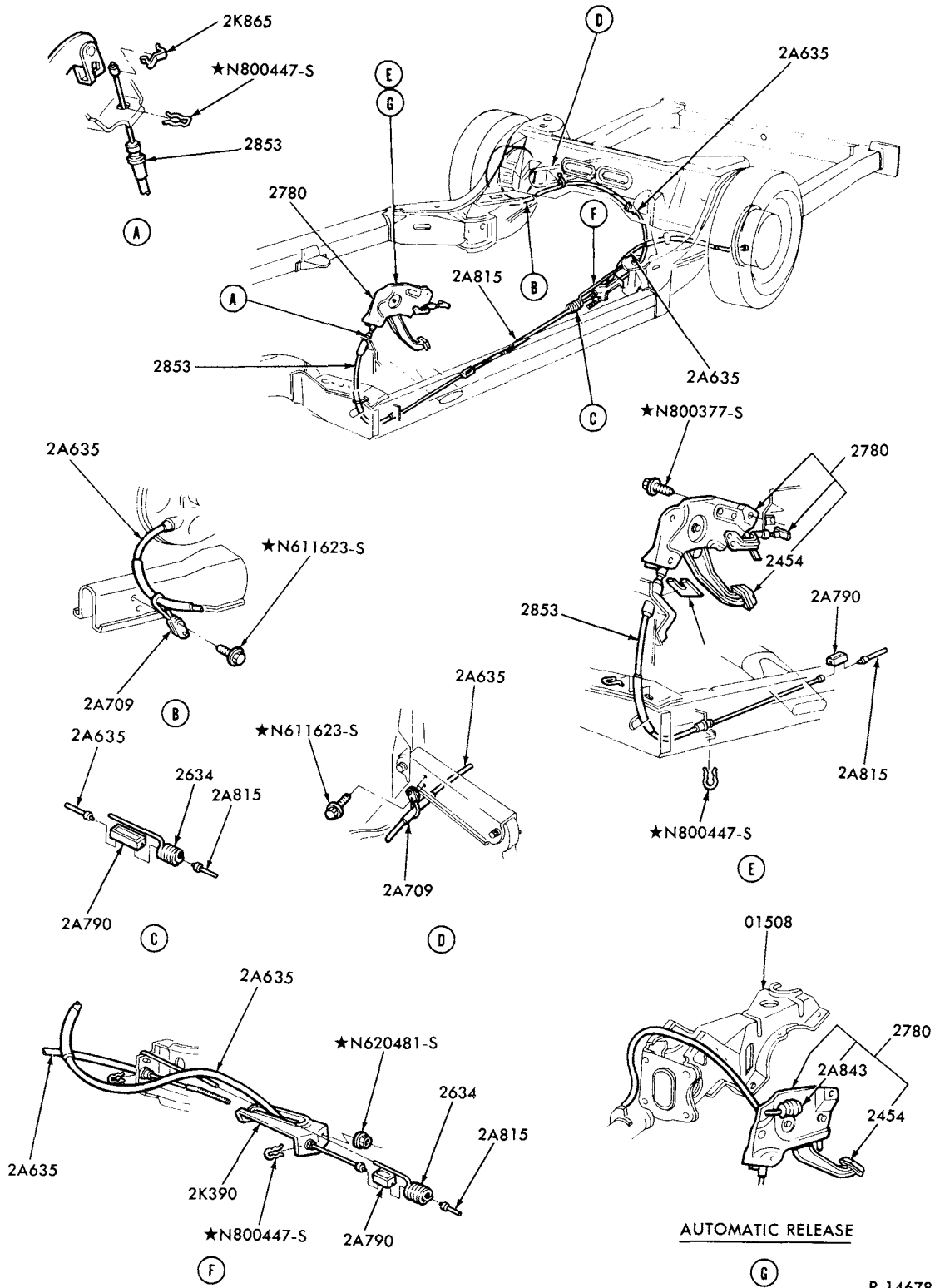
PARKING BRAKE SYSTEM
1975/78 CAPRI

100% SATISFACTION GUARANTEED

BUY IT NOW!

Click Here To Order

1973/79 LINCOLN-MERCURY CARS



P-14678

PARKING BRAKE SYSTEM 1979 MERCURY

COPYRIGHT © 1982 — FORD MOTOR — DEARBORN, MICHIGAN
COMPANY

NEW ISSUE

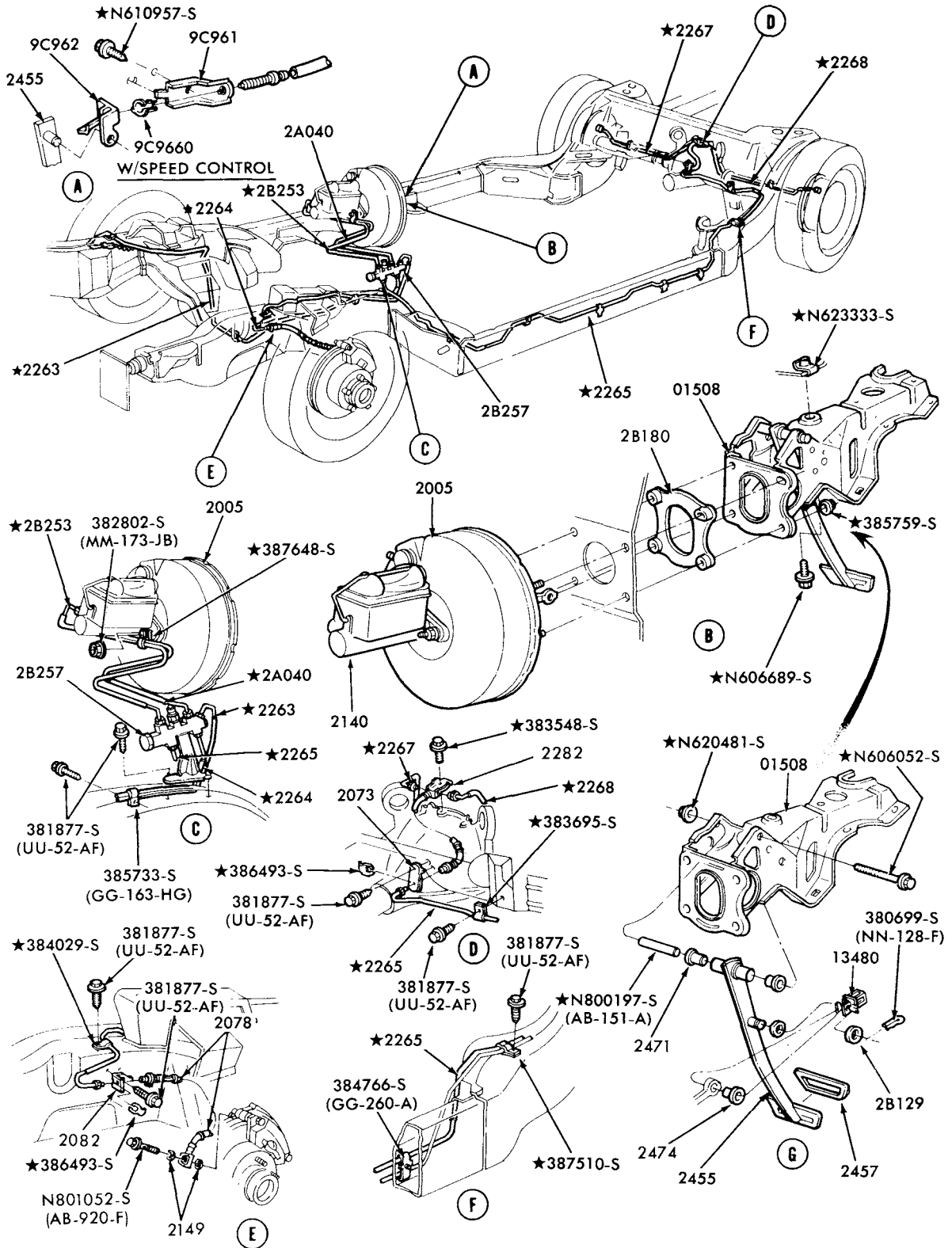
100% SATISFACTION GUARANTEED

BUY IT NOW!

Click Here To Order

PayPal
MasterCard
Discover
American Express
VISA

1973/79 LINCOLN-MERCURY CARS



P-14679

DISC BRAKE SYSTEM
1979 MERCURY



BUY IT NOW!

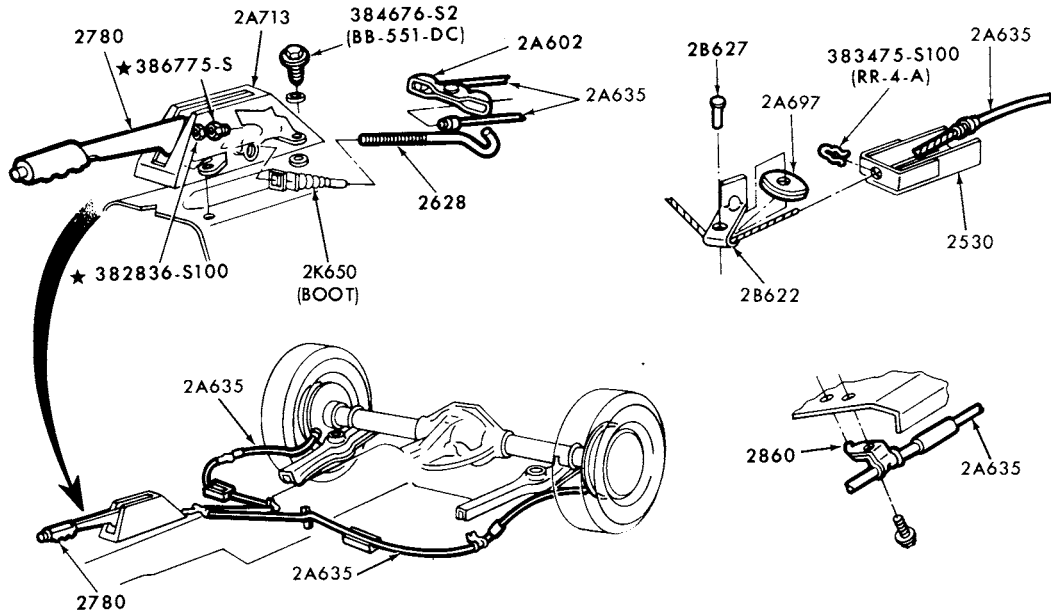
Click Here To Order



**1973/79
LINCOLN-MERCURY CARS**

ILLUSTRATION
SECTION 20

49



P-14693

PARKING BRAKE SYSTEM
1979 CAPRI

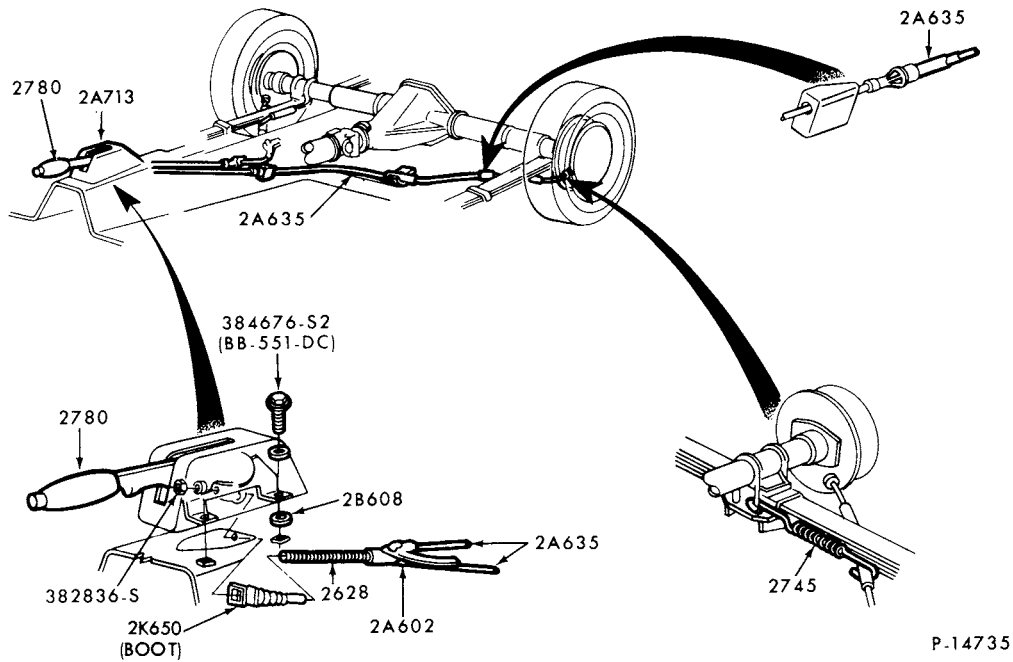
100% SATISFACTION GUARANTEED

BUY IT NOW!

Click Here To Order

PayPal
Discover
MasterCard
VISA

**1973/79
LINCOLN-MERCURY CARS**



PARKING BRAKE SYSTEM
1979 BOBCAT

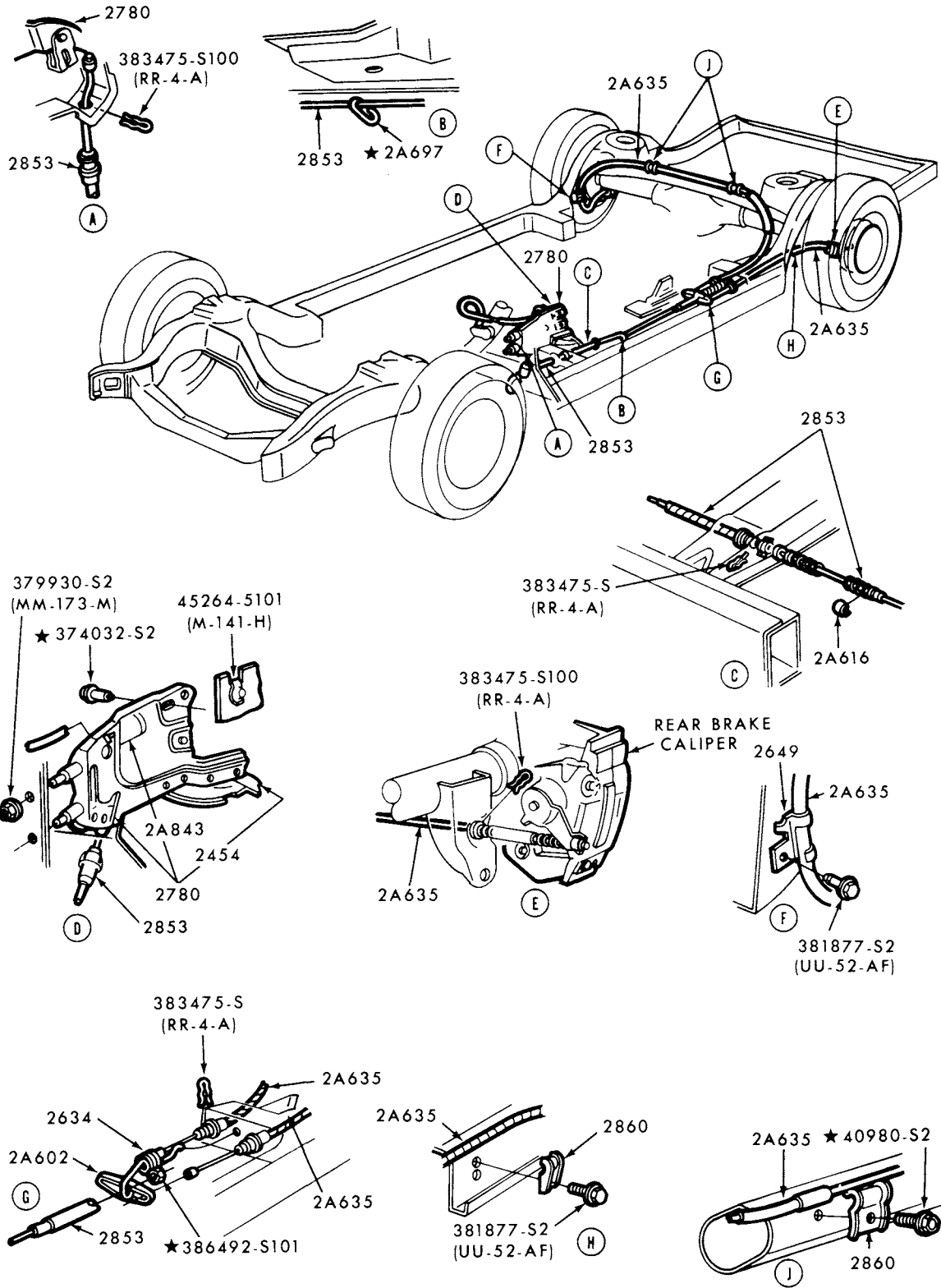


BUY IT NOW!

Click Here To Order



1973/79 LINCOLN-MERCURY CARS



P-14736



BUY IT NOW!

Click Here To Order

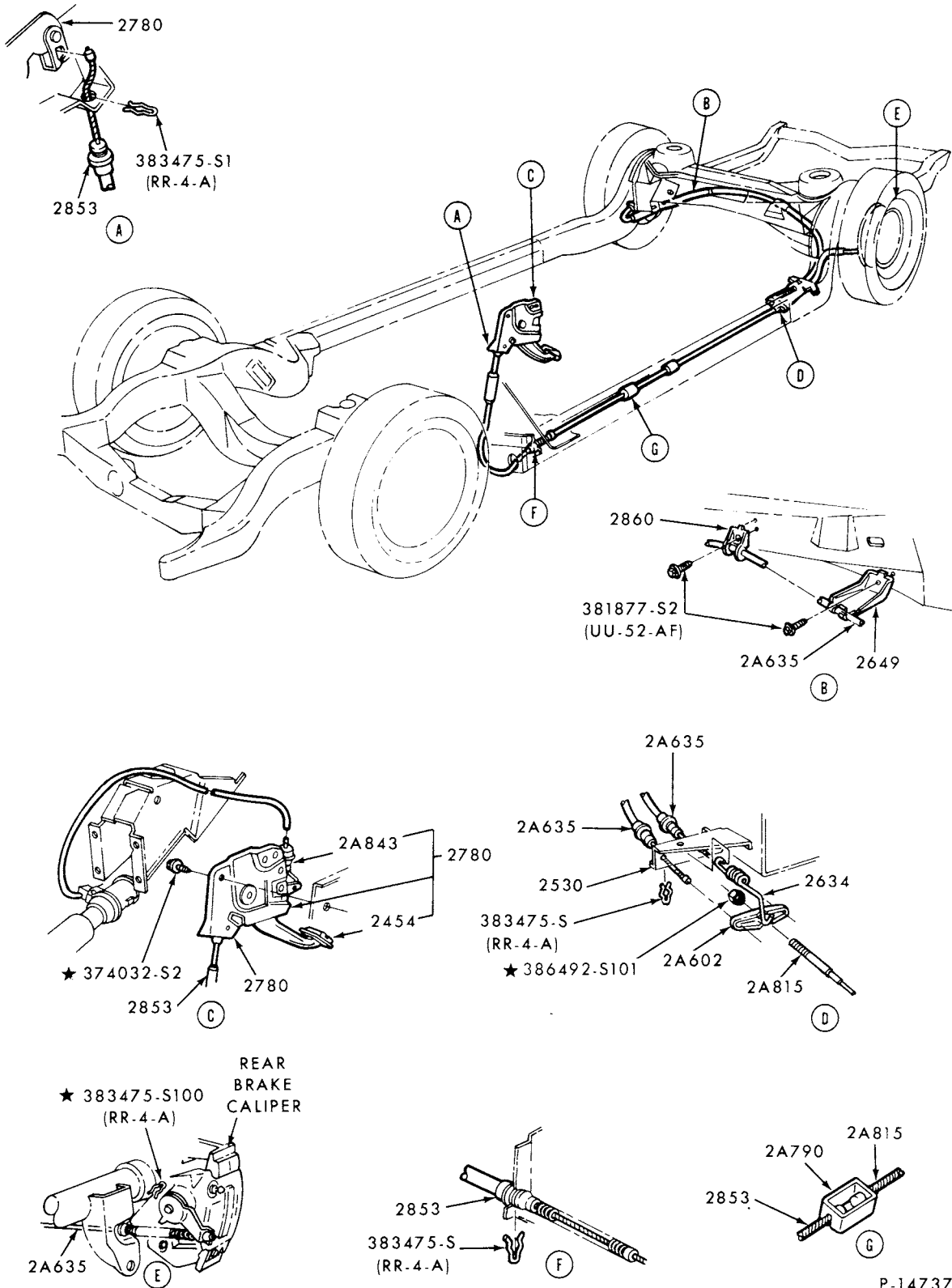
PARKING BRAKE SYSTEM-w/REAR DISC BRAKE
1979 LINCOLN

COPYRIGHT © 1982 — FORD MOTOR — DEARBORN, MICHIGAN
COMPANY

NEW ISSUE



1973/79 LINCOLN-MERCURY CARS



P-14737

100% SATISFACTION GUARANTEED

BUY IT NOW!

Click Here To Order

PayPal

Discover

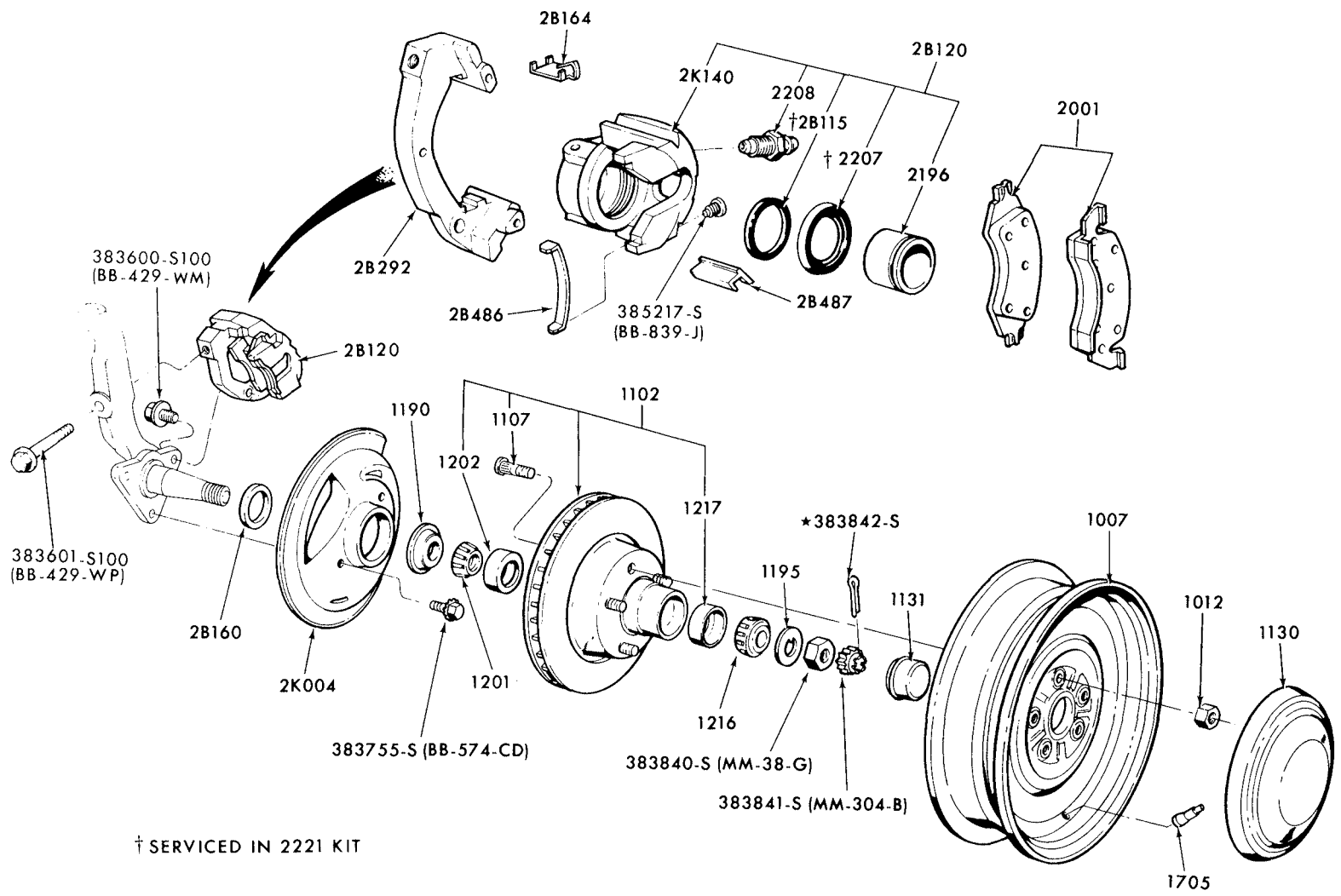
MasterCard

VISA

PARKING BRAKE SYSTEM
1979 MARK V

**1973/79
LINCOLN-MERCURY CARS**

ILLUSTRATION
SECTION 20.1



P-8754

JANUARY, 1982

FRONT DISC BRAKE ASSY., FRONT WHEEL and RELATED PARTS
1973/76 MARK IV, MONTEGO and 1973/78 MERCURY, METEOR
1973/ LINCOLN, 1974/ COUGAR and 1977/ MARK V

COPYRIGHT © 1982 — FORD MOTOR — DEARBORN, MICHIGAN COMPANY

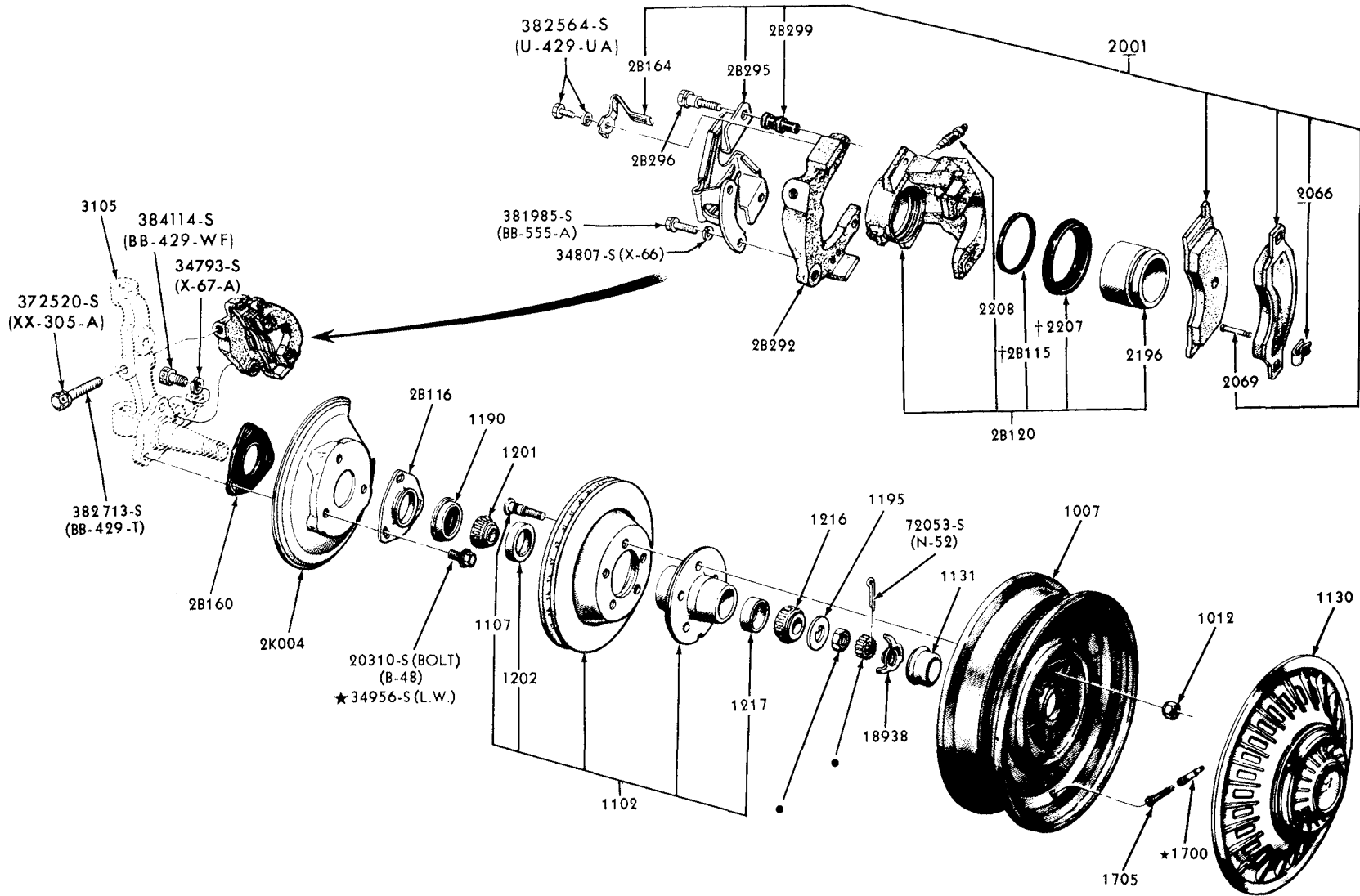
NEW

100% SATISFACTION GUARANTEED

BUY IT NOW!

Click Here To Order

FRONT DISC BRAKE ASSY., FRONT WHEEL and RELATED PARTS
1973 COUGAR



† ALSO SERVICED IN 2221 KIT
REFER TO GROUP 1102 FOR PART NUMBER & MODEL APPLICATION

100% SATISFACTION GUARANTEED

BUY IT NOW!

Click Here To Order

PayPal

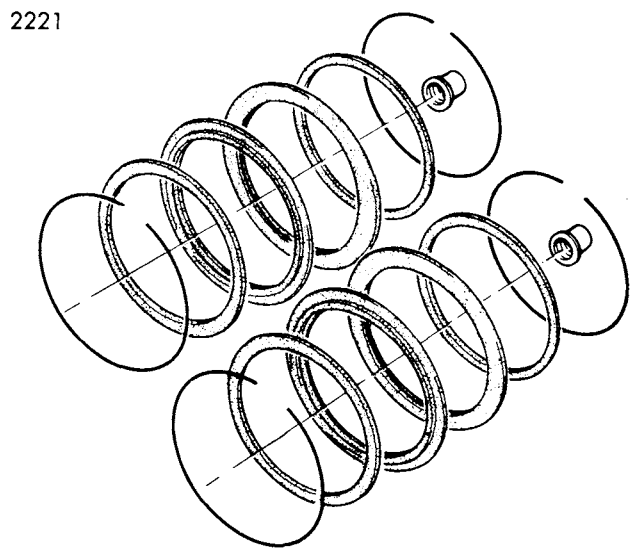
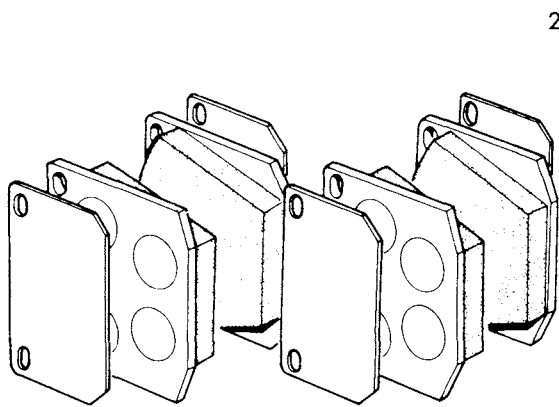
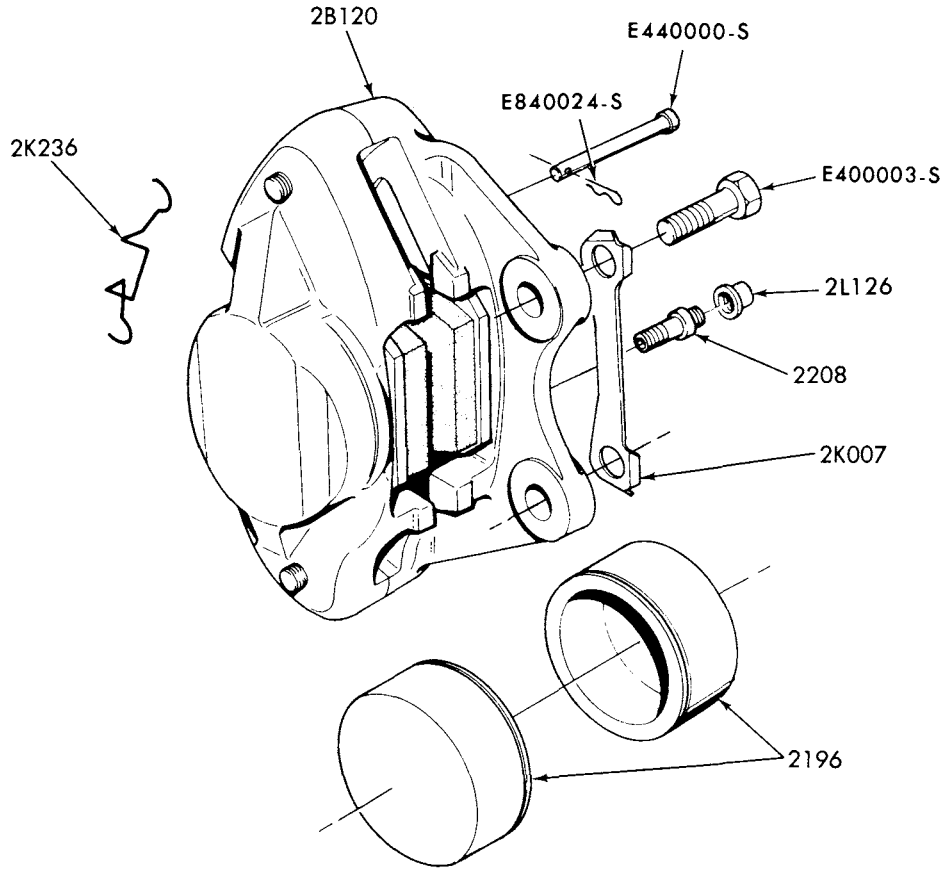
Discover

MasterCard

VISA

1973/79
LINCOLN-MERCURY CARS

ILLUSTRATION
SECTION 20.1



P-7553

FRONT DISC BRAKE ASSY.
1973/78 CAPRI

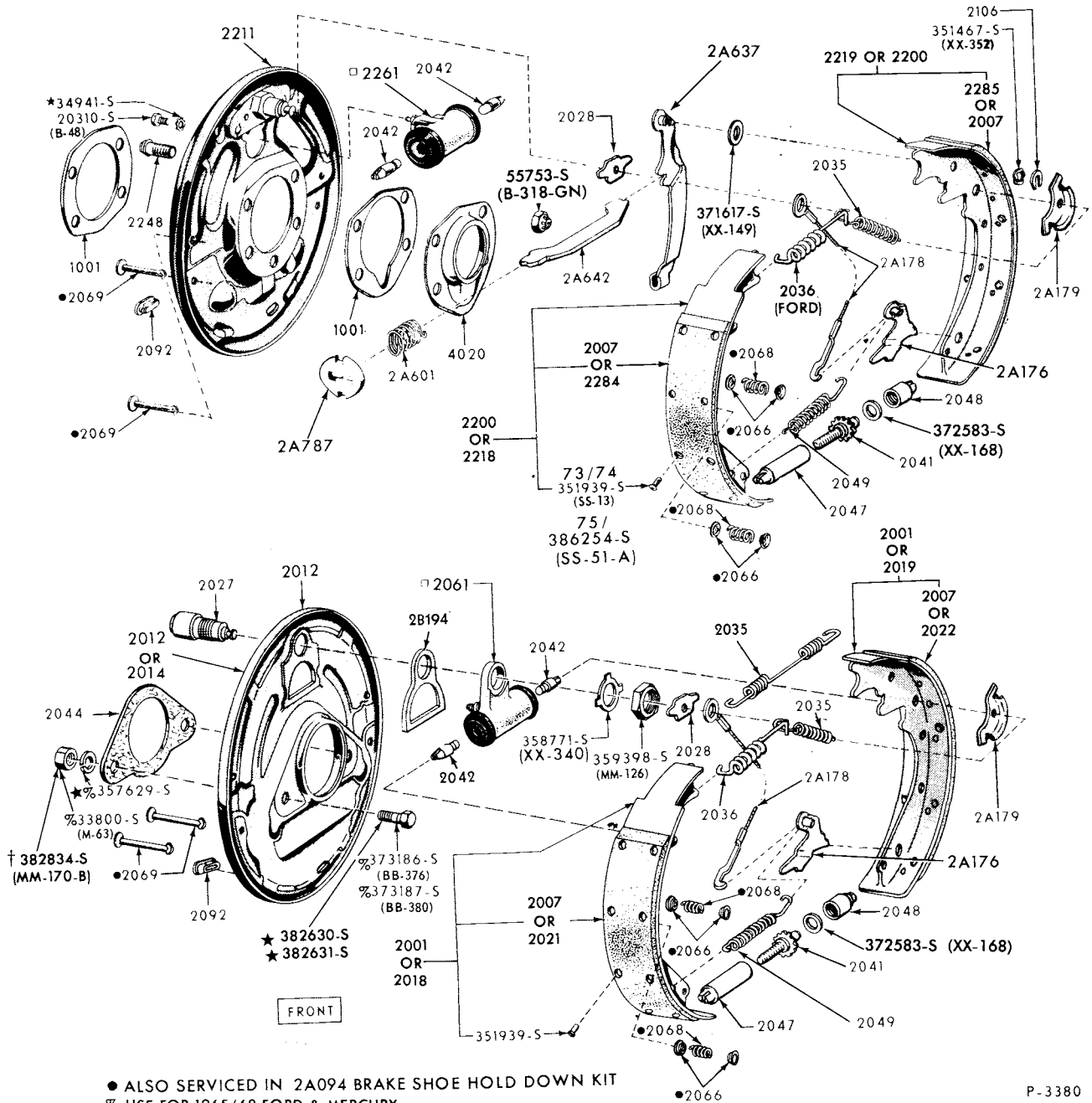
COPYRIGHT © 1982 — FORD MOTOR — DEARBORN, MICHIGAN
COMPANY

NEW ISSUE

100% SATISFACTION GUARANTEED
BUY IT NOW!
Click Here To Order

PayPal American Express Discover MasterCard VISA

1973/79 LINCOLN-MERCURY CARS



● ALSO SERVICED IN 2A094 BRAKE SHOE HOLD DOWN KIT
 % USE FOR 1965/68 FORD & MERCURY
 † USE FOR 1969 FORD & MERCURY
 ☐ REFER TO ILLUSTRATION P-2284 IN THIS SECTION FOR DETAIL PARTS

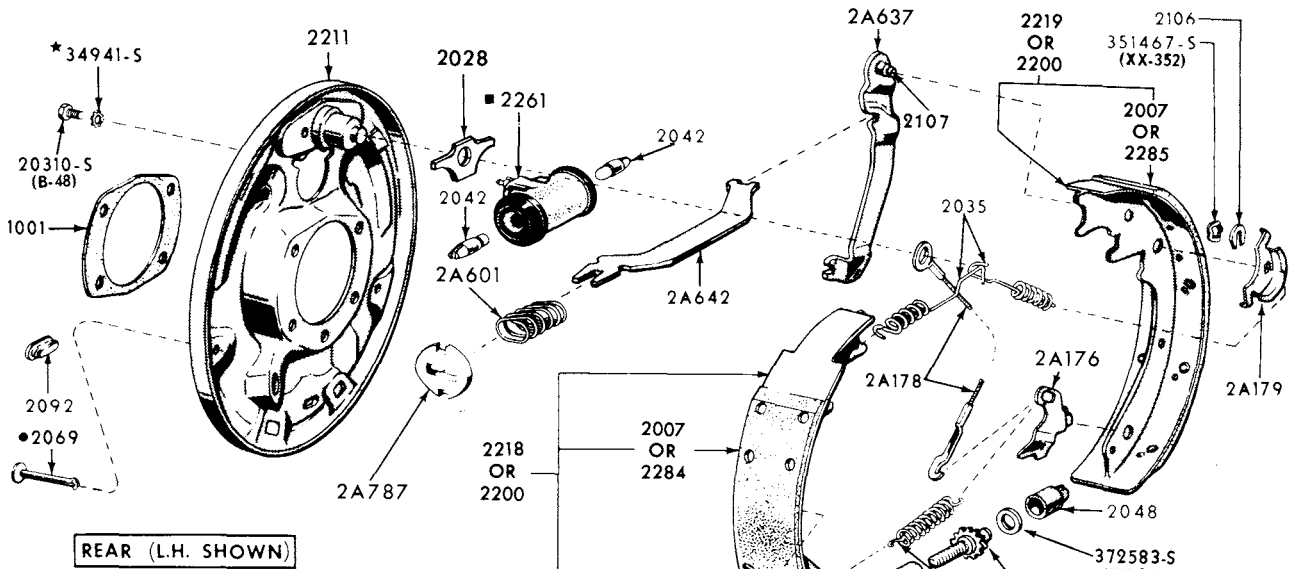
P-3380

100% SATISFACTION GUARANTEED

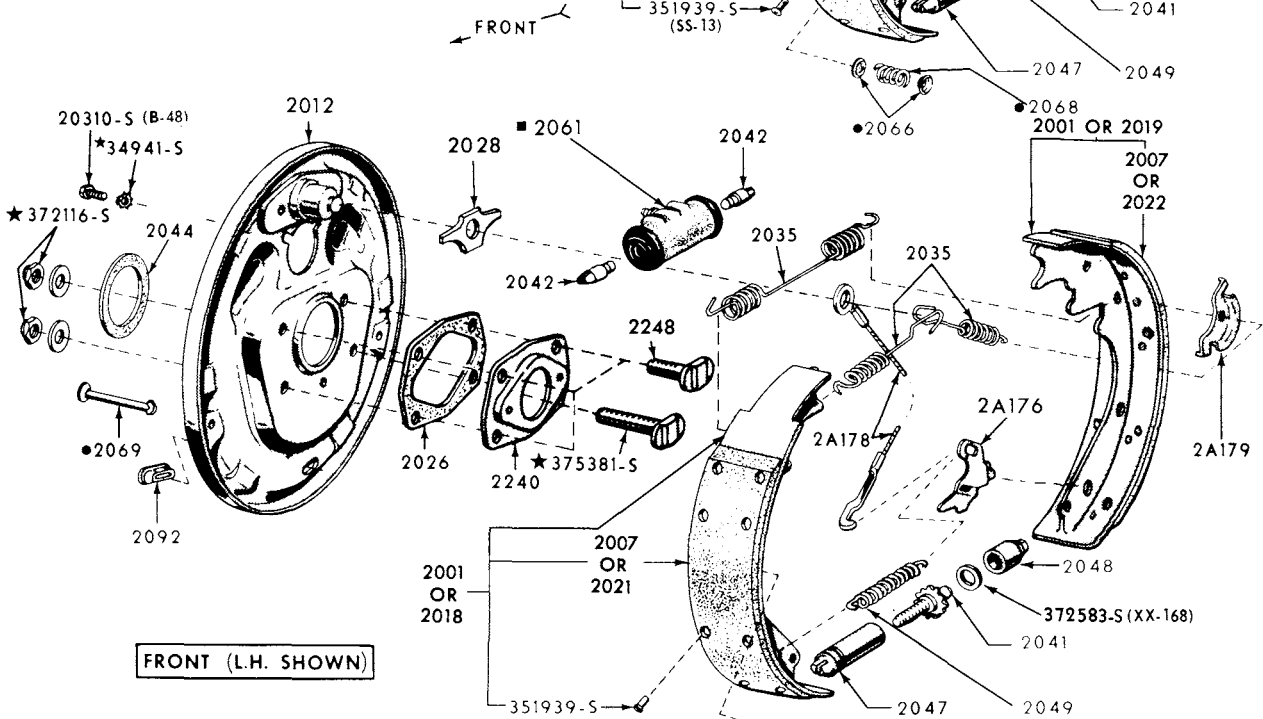
BUY IT NOW!

Click Here To Order

REAR DRUM BRAKE ASSY.
 1973/78 MERCURY and METEOR
 1973/74 MARK IV



REAR (L.H. SHOWN)



FRONT (L.H. SHOWN)

● ALSO SUPPLIED IN 2A094 BRAKE SHOE HOLD DOWN KIT
 ■ REFER TO ILLUSTRATION P-3906 IN THIS SECTION
 FOR DETAIL PARTS

P-3703

DRUM BRAKE ASSY. (SELF-ADJUSTING)-TYPICAL

1973/74 COMET (FRONT and REAR)
 1973/74 LINCOLN (REAR ONLY), 1974/75 BOBCAT (REAR ONLY)
 1975/76 MONARCH and COMET (REAR ONLY), 1978/79 ZEPHYR
 and 1979 MERCURY, CAPRI

COPYRIGHT © 1982 — FORD MOTOR COMPANY — DEARBORN, MICHIGAN

NEW ISSUE

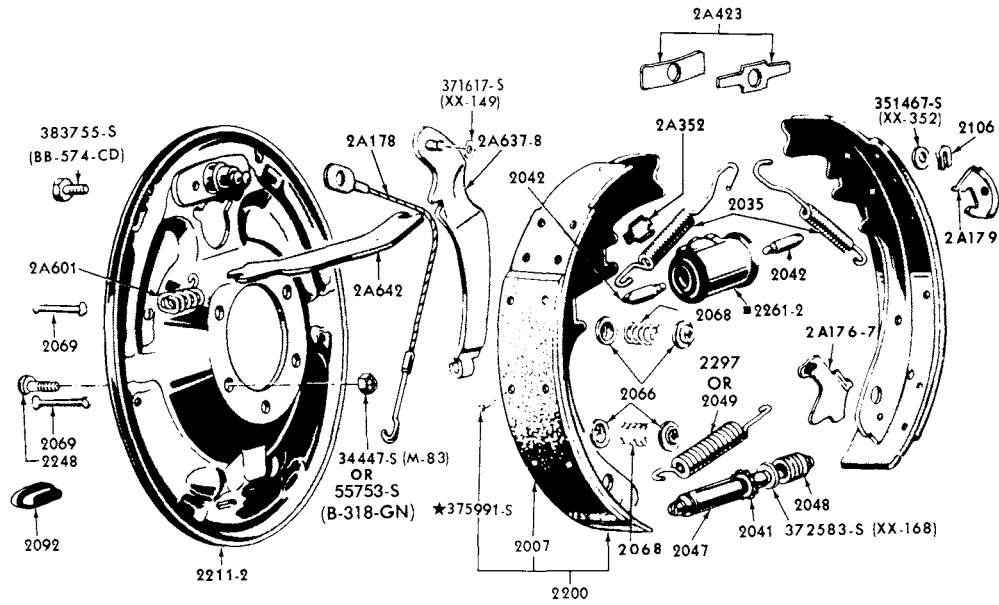


BUY IT NOW!

Click Here To Order



1973/79 LINCOLN-MERCURY CARS

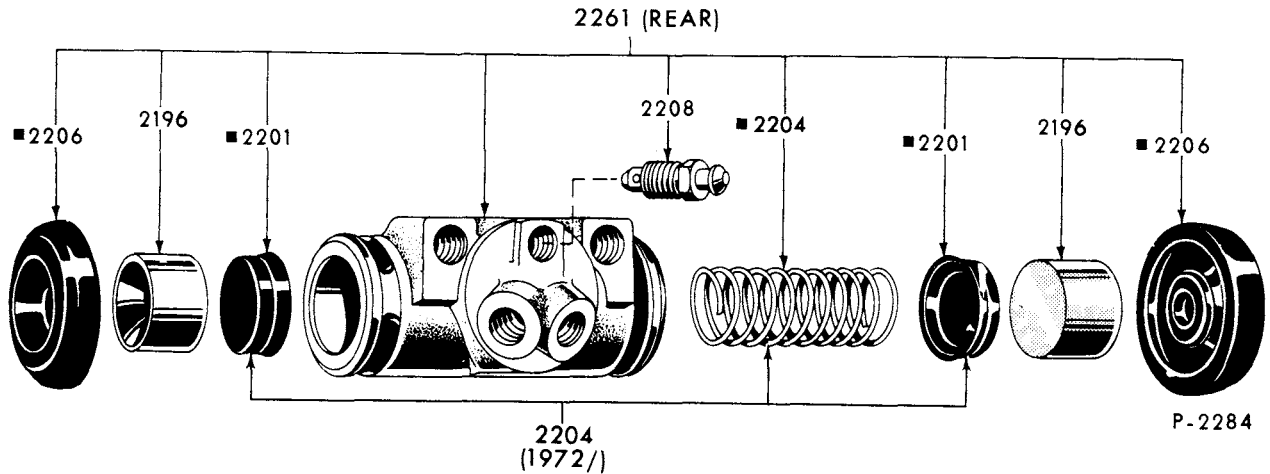


REFER TO ILLUSTRATION P-2284 IN THIS SECTION FOR DETAIL PARTS

P-9574

REAR DRUM BRAKE ASSY.

1973 LINCOLN



ALSO SERVICED IN 2128 REPAIR KIT

REAR BRAKE CYLINDER ASSY. - TYPICAL - w/REAR DRUM BRAKE
LIN and 1973/ MERCURY, METEOR, MONTEGO and COUGAR
1973/74 MARK IV



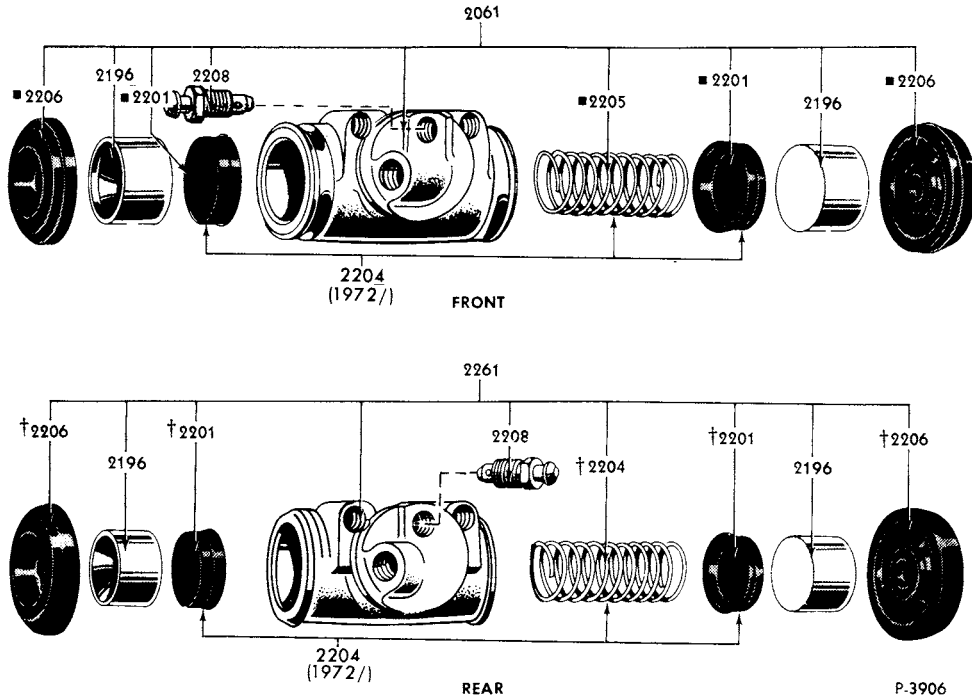
BUY IT NOW!

Click Here To Order



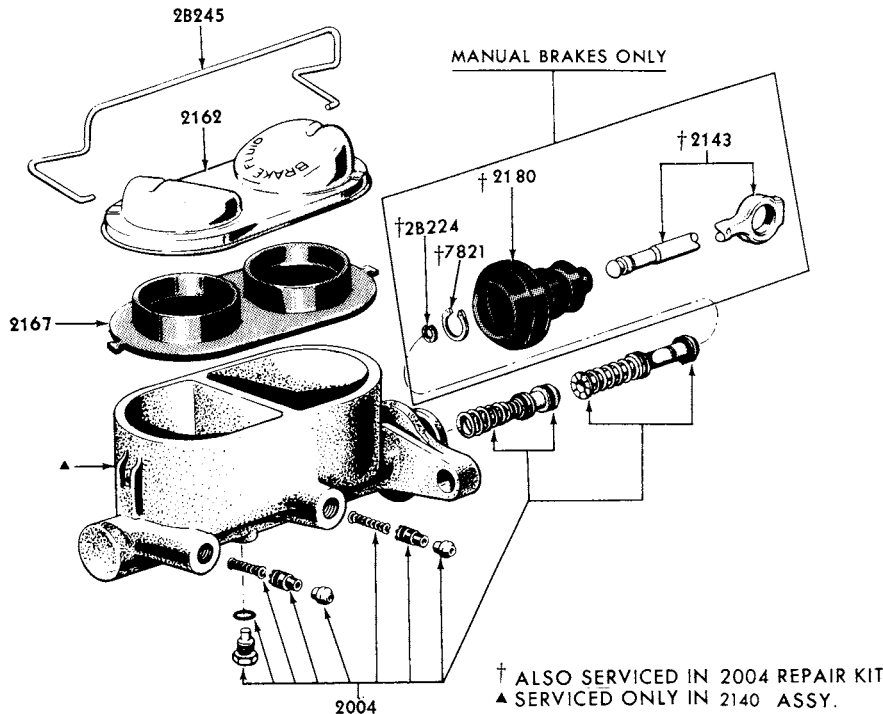
1973/79 LINCOLN-MERCURY CARS

ILLUSTRATION
SECTION 20.1



BRAKE CYLINDER ASSY.

1973/77 COMET, 1974/ BOBCAT, 1975/ MONARCH, 1978/ ZEPHYR and 1979 CAPRI



BRAKE MASTER CYLINDER ASSY.

BUICK, CADILLAC, OLDSMOBILE, PONTIAC, FORD, LINCOLN, MARK IV, MERCURY, METEOR and MONTEGO,
1973/77/ MONARCH, 1977/ MARK V, VERSAILLES, 1978/ ZEPHYR
and 1979 CAPRI

COPYRIGHT © 1982 — FORD MOTOR — DEARBORN, MICHIGAN
COMPANY

P-5518

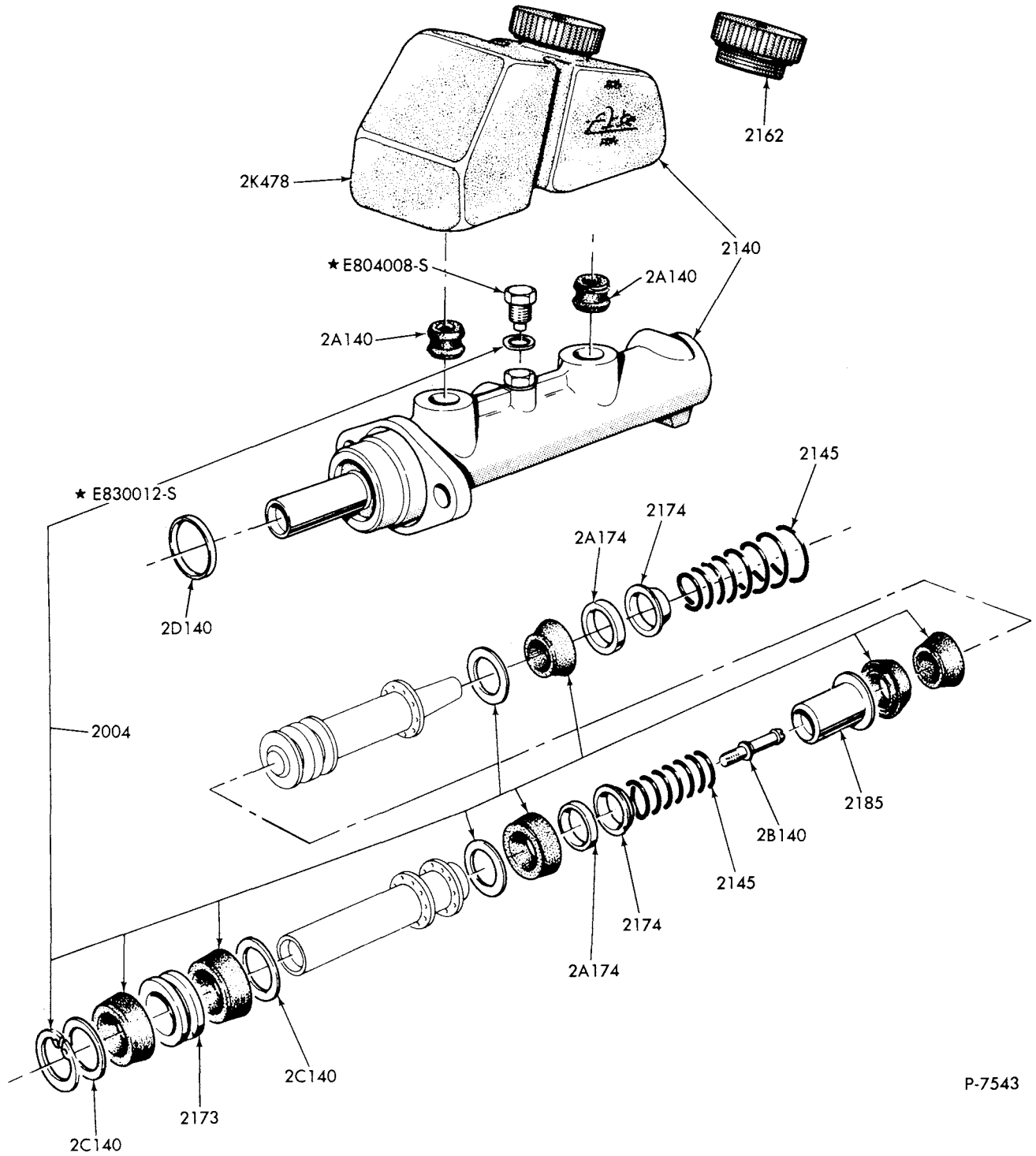
100% SATISFACTION GUARANTEED

BUY IT NOW!

Click Here To Order

NEW ISSUE

**1973/79
LINCOLN-MERCURY CARS**



P-7543

BRAKE MASTER CYLINDER ASSY.
1973/78 CAPRI

100% SATISFACTION GUARANTEED

BUY IT NOW!

Click Here To Order

PayPal

Discover

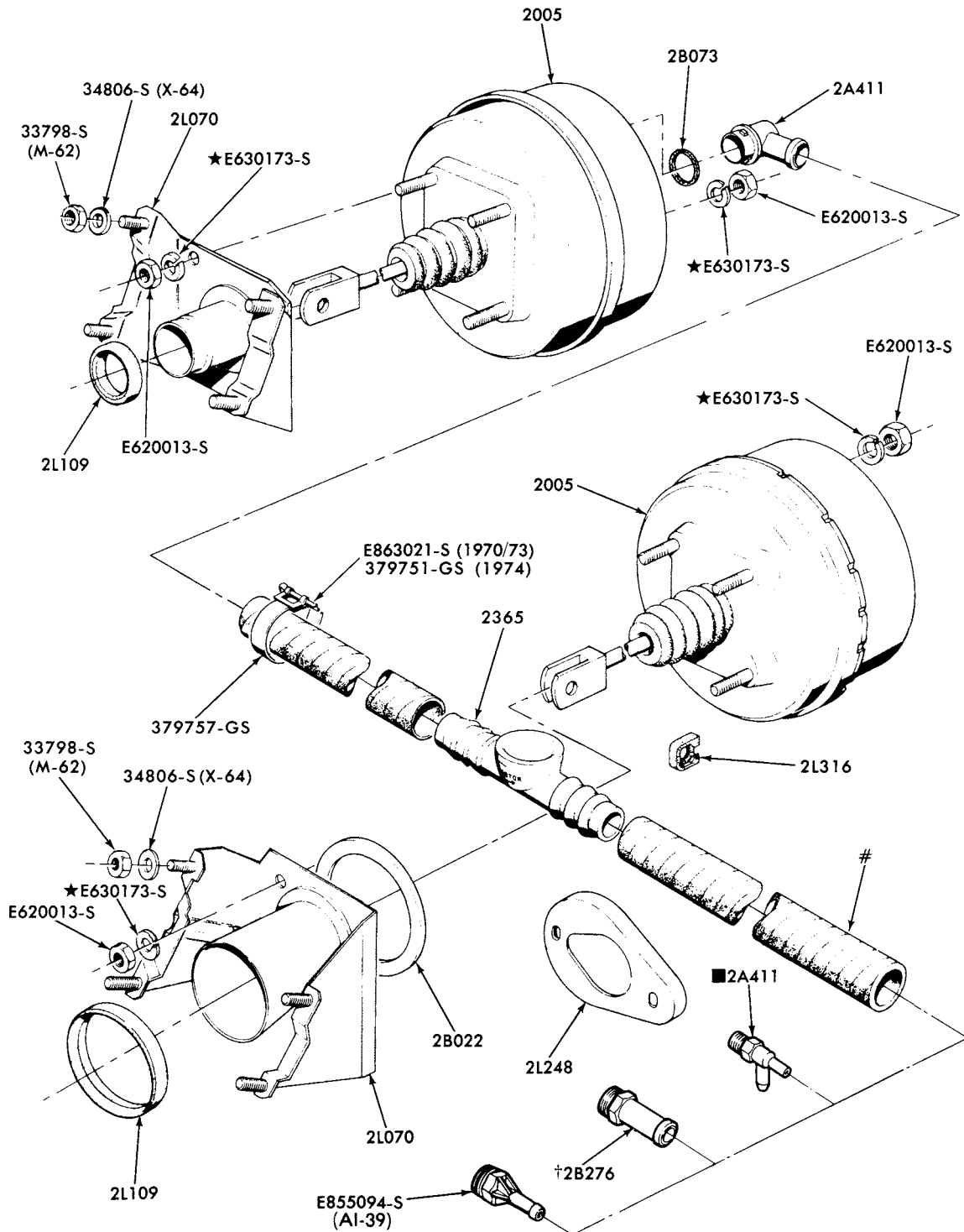
MasterCard

VISA

1973/79 LINCOLN-MERCURY CARS

ILLUSTRATION
SECTION 20 .1

9



#IMPROVISE FROM BULK HOSE — GROUP 4090
 ■ENGINE VACUUM FITTING-4CYL. ONLY
 †ENGINE VACUUM FITTING-6 CYL. ONLY

P-12394

100% SATISFACTION GUARANTEED

BUY IT NOW!

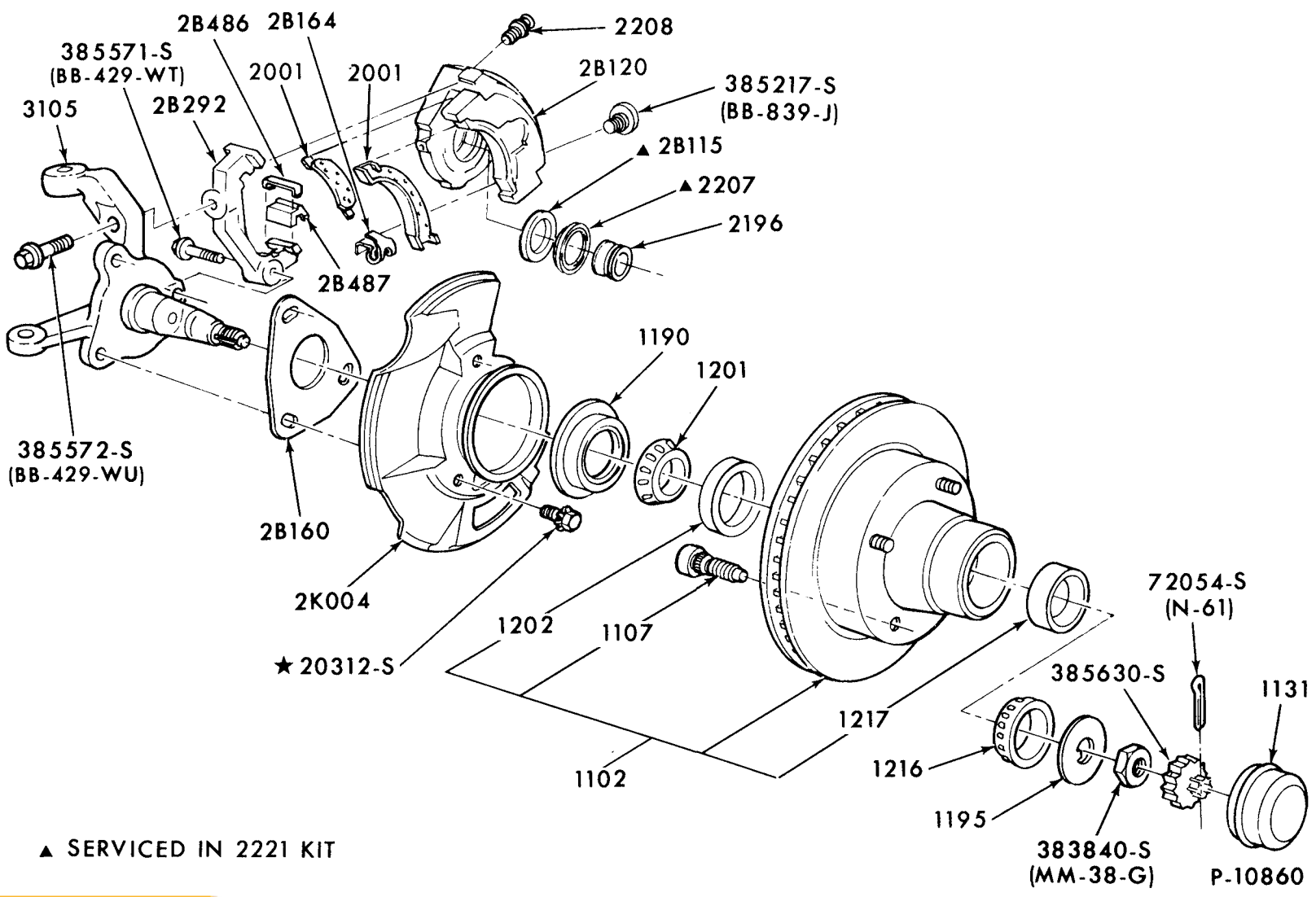
Click Here To Order

PayPal American Express Discover MasterCard VISA

BRAKE BOOSTER ASSY.
1973/78 CAPRI

COPYRIGHT © 1982 — FORD MOTOR — DEARBORN, MICHIGAN
COMPANY

NEW ISSUE



▲ SERVICED IN 2221 KIT

FRONT DISC BRAKE ASSY. and RELATED PARTS
1974/ BOBCAT

100% SATISFACTION GUARANTEED

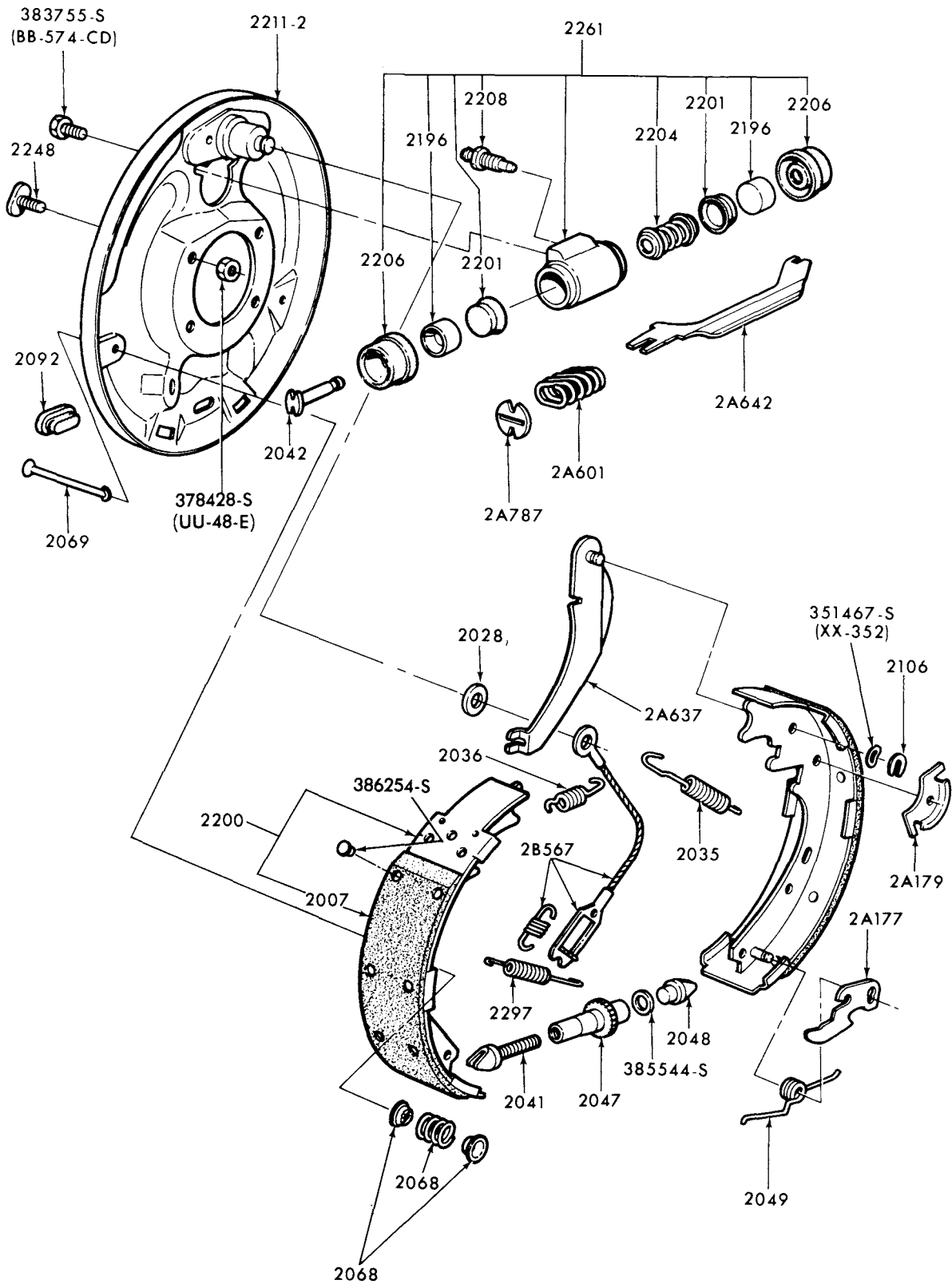
BUY IT NOW!

Click Here To Order

1973/79 LINCOLN-MERCURY CARS

ILLUSTRATION
SECTION 20.1

11



P-11435

REAR DRUM BRAKE ASSY.
1974/ LINCOLN

COPYRIGHT © 1982 — FORD MOTOR — DEARBORN, MICHIGAN
COMPANY

NEW ISSUE



BUY IT NOW!

[Click Here To Order](#)

