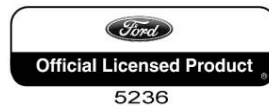


Copyright © 2009, Forel Publishing Company, LLC, Woodbridge, Virginia

All Rights Reserved. No part of this book may be used or reproduced in any manner whatsoever without written permission of Forel Publishing Company, LLC. For information write to Forel Publishing Company, LLC, 3999 Peregrine Ridge Ct., Woodbridge, VA 22192

1971 Mustang Part and Body Illustrations
EAN: 978-1-60371-039-8
ISBN: 1-60371-039-6

Forel Publishing Company, LLC
3999 Peregrine Ridge Ct.
Woodbridge, VA 22192
Email address: webmaster@ForelPublishing.com
Website: <http://www.ForelPublishing.com>



This publication contains material that is reproduced and distributed under a license from Ford Motor Company. No further reproduction or distribution of the Ford Motor Company material is allowed without the express written permission of Ford Motor Company.

Note from the Editor

This product was compiled using original Ford Motor Company publications. The contents of this product were extracted from: 1965/72 Ford Car Master Parts and Accessory Catalog (FP-7635- A and FP-7635- B).

Disclaimer

Although every effort was made to ensure the accuracy of this book, no representations or warranties of any kind are made concerning the accuracy, completeness or suitability of the information, either expressed or implied. As a result, the information contained within this book should be used as general information only. The author and Forel Publishing Company, LLC shall have neither liability nor responsibility to any person or entity with respect to any loss or damage caused, or alleged to be caused, directly or indirectly by the information contained in this book. Further, the publisher and author are not engaged in rendering legal or other professional services. If legal, mechanical, electrical, or other expert assistance is required, the services of a competent professional should be sought.



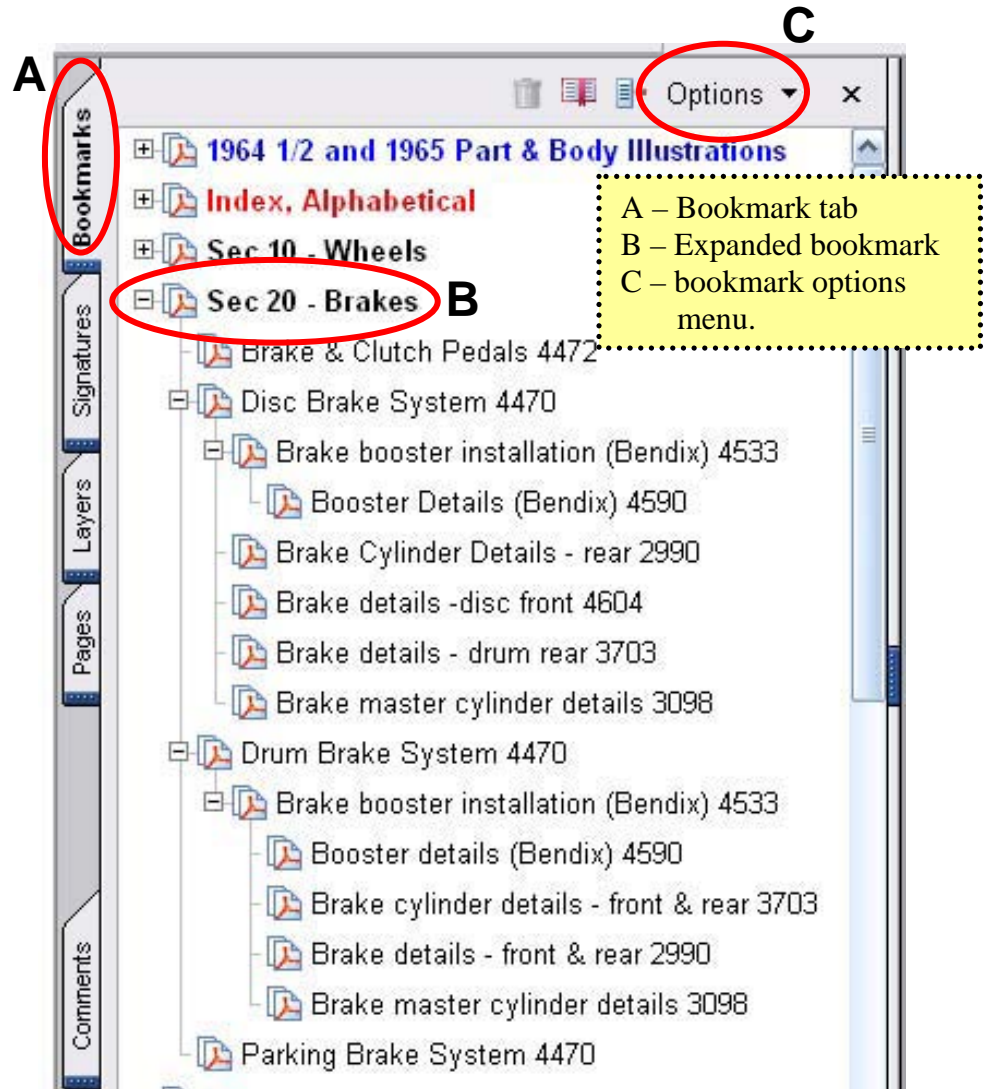
Navigating with bookmarks

This manual is primarily organized using “bookmarks”. Bookmarks are found on the left side of the screen and allow the user to navigate directly to a specific location within the document.

To browse using a bookmark:

1. Click the Bookmarks tab on the left side of the window, or choose view>Navigation Tabs>Bookmarks to display bookmarks.
2. To jump to a topic using its bookmark, click the bookmark. Click the plus sign (+) next to a parent bookmark to expand it. Click the minus sign (-) next to a bookmark to hide its children.

Note: Clicking a bookmark might perform an action instead of taking you to another location. It depends on how the bookmark was defined. For example, a hyperlinked bookmark could take you to a website.



If the list of bookmarks disappears when you click a bookmark, click the Bookmarks tab to display the list again. If you want the Bookmarks tab to always remain open after you click a menu at the top of the Bookmarks panel, and make sure Hide After



Basic Manual Organization

This manual is organized in three ways: **Illustration Number, Groupings by Sections** and **Alphabetical**.

Illustration Number:

Each illustration has its own illustration number. For example, the illustration for Brake & Clutch Pedals is illustration number “P-4472” and the illustration for the Brake Cylinder Details is “P-2990”. The pages of this book are arranged in illustration number order. Therefore, illustration 4473 would follow 2990.

Note: Illustrations are in numerical, not alphabetical order.

Groupings by Sections:

The grouping of diagrams by “section” is similar to how the Ford Motor Company originally organized its Master Parts and Accessories Catalog which contained both illustrations and part numbers to identify parts. For example, **Section 20 – Brakes** groups most brake related parts for this vehicle.

This manual uses bookmarks to follow that same organization and uses the same terms Ford used to identify the diagrams. In addition, the diagram number has been added to the end of the description. For example, **“Disc Brake System 4470”** is the basic name of the diagram and the diagram number is 4470. For the bookmarks and index’s in this manual, the “P-“ has been omitted.

Sec 20 - Brakes

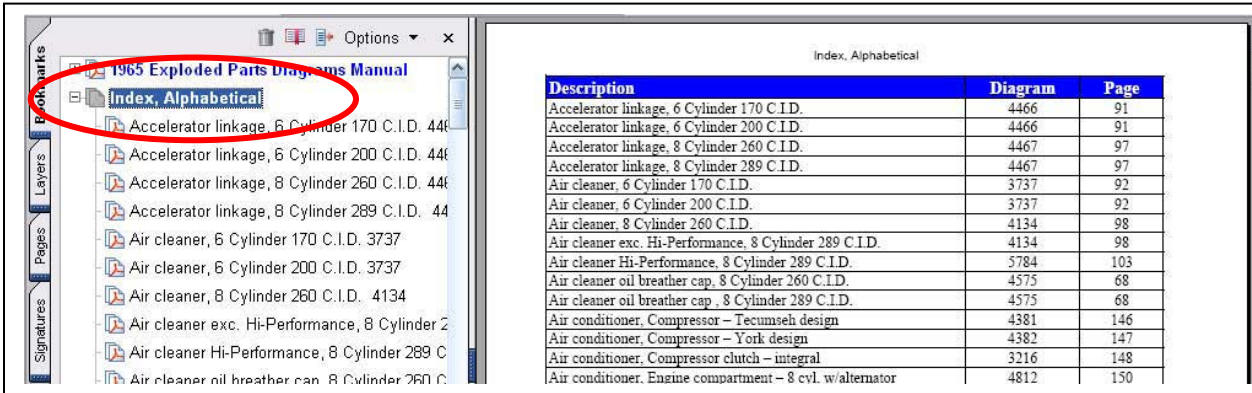
Brake & Clutch Pedals 4472
Disc Brake System 4470
 Brake booster installation (Bendix) 4533
 Booster Details (Bendix) 4590
Brake Cylinder Details - rear 2990
Brake details -disc front 4604
Brake details - drum rear 3703
Brake master cylinder details 3098
Drum Brake System 4470
 Brake booster installation (Bendix) 4533
 Booster details (Bendix) 4590
 Brake cylinder details - front & rear 2990
 Brake details - front & rear 2990
 Brake master cylinder details 3098
Parking Brake System 4470

The grouping of diagrams by number is useful in finding most diagrams related to a major group.



Alphabetical:

The alphabetical listing is a simple alphabetized listing of all diagrams. In some cases, if the diagram contained more than one major component, the diagram may be identified more than once. Expand the “Index, Alphabetical” bookmark to view details. The associated page contains the description, diagram number and page number for easy reference.



The screenshot shows a software interface with a bookmarked index. The bookmarked index is titled "Index, Alphabetical" and is circled in red. The index lists various diagrams with their descriptions, diagram numbers, and page numbers. The table below is a reproduction of the data shown in the screenshot.

Description	Diagram	Page
Accelerator linkage, 6 Cylinder 170 C.I.D.	4466	91
Accelerator linkage, 6 Cylinder 200 C.I.D.	4466	91
Accelerator linkage, 8 Cylinder 260 C.I.D.	4467	97
Accelerator linkage, 8 Cylinder 289 C.I.D.	4467	97
Air cleaner, 6 Cylinder 170 C.I.D.	3737	92
Air cleaner, 6 Cylinder 200 C.I.D.	3737	92
Air cleaner, 8 Cylinder 260 C.I.D.	4134	98
Air cleaner exc. Hi-Performance, 8 Cylinder 289 C.I.D.	4134	98
Air cleaner Hi-Performance, 8 Cylinder 289 C.I.D.	5784	103
Air cleaner oil breather cap, 8 Cylinder 260 C.I.D.	4575	68
Air cleaner oil breather cap, 8 Cylinder 289 C.I.D.	4575	68
Air conditioner, Compressor - Tecumseh design	4381	146
Air conditioner, Compressor - York design	4382	147
Air conditioner, Compressor clutch - integral	3216	148
Air conditioner, Engine compartment - 8 cyl. w/alternator	4812	150

Note: Illustrations are in numerical, not alphabetical order.



100% SATISFACTION GUARANTEED
BUY IT NOW!
Click Here To Order

PayPal, American Express, Discover, MasterCard, VISA

Index, Numerical Order
1971 Mustang Part and Body Illustrations

Number	Description	Page
1246	Oil filters - cartridge type	20
2130	Rear Axle Non-Locking (separate carrier)	21
2384	Oil filters - spin-on type	22
2486	Oil Filters - spin-on type and adapter	23
2962	Water Pumps, 6 cyl. - 200, 250 engines	24
2963	Oil pump, 6 Cylinder 200, 250 C.I.D.	25
2964	Camshaft, gear and bearings, 6 Cylinder 200, 250 C.I.D.	26
3088	Cylinder block, 6 Cylinder 200, 250 C.I.D.	27
3089	Valves, push rods and rocker arm cover, 6 Cylinder	28
3090	Piston and connecting rod, 6 Cylinder 200, 250 C.I.D.	29
3118	Front and rear wheel, hub, & bearing	30
3144	Drive Shaft	31
3147	Cooling Systems, 6 & 8 Cyl. Engines	32
3191	Starter and Drive Assy. – Positive Engagement	33
3216	Air conditioner, Compressor clutch (integral)	34
3627	Transmission Automatic, Vacuum throttle valve, lines and fittings - typical	35
3703	Brake details - drum rear	36
3726	Valves, push rods and rocker arm cover, 6 Cyl and 8 Cyl 260, 289,302,351,400,429,460	37
3727	Cylinder head, valves, and related parts, 8 Cyl.	38
3732	Piston and connecting rod, 6 Cyl and 8 Cyl 260, 289,302,351,400,429,460 C.I.D.	39
3733	Camshaft, gear and bearings, 8 Cylinder 289 C.I.D.	40
3734	Crankshaft and flywheel, 8 Cylinder 289 C.I.D.	41
3736	Oil pump, 8 Cylinder 260, 289,302,351,400,429,460 C.I.D.	42
3742	Intake manifold & related parts, 8 Cylinder 289 CID Engine	43
3906	Brake Cylinder Details - front & rear	44
4012	Transmission, Manual, 3 Speed manual trans 3.03 type	45
4326	Transmission C4 Type, Case, converter assy., extension, pump - typical	46
4327	Transmission C4 Type, Clutches, gears, shafts, rear support - typical	47
4328	Transmission C4 Type, Servo and band, front - typical	48
4329	Transmission C4 Type, Servo and band, rear - typical	49
	Transmission C4 Type, Parking pawl, throttle and manual control linkage -	50
	Compressor (Tecumseh design)	51
	Compressor (York design)	52



BUY IT NOW!

Click Here To Order



Index, Numerical Order
1971 Mustang Part and Body Illustrations

Number	Description	Page
4424	Transmission, Manual, Ford 4 speed	53
4507	Transmission C4 Type, Main control valve body assy. (Basic 7A100) - typical	54
4508	Alternator (Ford 15 volt-38, 42, 45, 55, 60 amp)	55
4721	Rear Axle, Locking - Dapco no-spin-9" ring gear (separate carrier)	56
4723	Steering Gear Details (Saginaw Design)	57
4862	Transmission Automatic, bushings	58
4899	Crankshaft and flywheel, 6 Cylinder 200, 250 C.I.D.	59
4924	Distributor (8 cylinder – with stamped weights)	60
5143	Water Pumps, 8 cyl. - 289, 302, 351W engine (with cover)	61
5172	Transmission C6 Type, Case, converter assy., extension, pump - typical	62
5173	Transmission C6 Type, Clutches, gears, shafts - typical	63
5174	Transmission C6 Type, Servo and band - typical	64
5176	Transmission C6 Type, Main control valve body assy. (Basic 7A100) - typical	65
5191	Transmission C6 Type, Parking pawl, throttle and manual control linkage - typical	66
5381	Transmission Oil cooling system, automatic - typical	67
5394	Alternator (Ford 15 volt - 65 amp)	68
5457	Carburetor - Ford 4V - without external accel pump	69
5518	Brake Master Cylinder details	70
5525	Voltage Regulator (Ford 15 volt, negative ground)	71
5526	Starter Drive (Ford 12 volt – positive engagement)	72
5615	Steering, Power steering pump details	73
5723	Cooling System - 390, 427, 428, 429 CID Engine	74
5773	Mirror - remote control	75
5825	Distributor (6 Cylinder 250 Engine)	76
5952	Starter and Solenoid (Ford 12 volt - positive engagement)	77
5960	Suspension, Rear	78
6218	Brake Details, disc front	79
6221	Air Cleaner - 6 Cylinder	80
6224	Air Cleaner - exc. Ram Air	81
6440	Door Bumpers, rubber	82
6459	Rear Axle, Locking (Traction Lok)	83
	Transmission FMX type - Case, converter assy., extension, pump, rear support	84
	Transmission FMX type - Clutches, gears, shafts, extension - typical	85
	Transmission FMX type - Servo and band, front - typical	86

100% SATISFACTION GUARANTEED

BUY IT NOW!

Click Here To Order

PayPal American Express Discover MasterCard VISA

Index, Numerical Order
1971 Mustang Part and Body Illustrations

Number	Description	Page
6465	Transmission FMX type - Servo and band, rear - typical	87
6466	Transmission FMX type - Main control valve body assy. (Basic 7A100) - typical	88
6470	Transmission FMX type - Oil pressure regulator assy. (Basic 7A139) - typical	89
6471	Transmission FMX type - Parking pawl, throttle and manual control linkage - typical	90
6472	Transmission FMX type - Oil pressure tubes installation - typical	91
6492	Water Pump - 8 cyl. 351C, 400, 429, 460 engines	92
6540	Stereo tape player - hang-on	93
6738	Luggage Carrier - luggage compartment mounted - removable	94
6794	Gear Shift Mechanism, Transmission - console or floor mtd - 3 speed trans.	95
6802	Transmission Automatic, Shift control selector mechanism, Automatic	96
6809	Headrest, Front Seat	97
6927	Suspension, Front	98
6980	Hinges - front door upper	99
6981	Hinges - front door lower	100
6984	Engine Oil Cooler System	101
7040	Courtesy Lamp - pillar mounted	102
7041	Transmission Oil cooling system, automatic - typical	103
7063	Jack and Spare Wheel Parts	104
7078	AM Stereo Tape Player, AM/FM Multiplex Radio with speakers - integral	105
7183	Pressure Release Vent - Quarter	106
7245	Steering Column - floor shift - fixed wheel	107
7246	Steering Column - floor shift - tilt wheel	108
7295	Carburetor - Carter RBS (6 cyl. 250 CID engine)	109
7296	Front Seat Back Latch	110
7364	Steering, Power Steering Pump Installation	111
7376	Air Cleaner - exc. Ram Air (8 cylinder)	112
7402	Luggage Carrier, Ski Rack, Luggage Cover - Luggage Compartment Mounted	113
7428	Luggage Compartment trim	114
7450	Seat Belt and Shoulder Harness Installation - Front Seat	115
7451	Seat Belt Installation - Rear Seat	116
7455	Suspension, Rear - maximum handling stabilizer bar	117
	12V	118
	anism - Hurst Floor Mounted - 4 Speed Manual Transmission	119
	2 spoke	120



BUY IT NOW!

Click Here To Order



Index, Numerical Order
1971 Mustang Part and Body Illustrations

Number	Description	Page
7589	Engine Governor Transistorized - 302, 428, 429 CJ & SCJ	121
7741	Air Conditioner - engine compartment - integral 6 cyl. 200, 250 CID	122
7742	Air Conditioner - Engine Compartment 8 cyl. Integral, 302, 351 CID	123
7743	Air Conditioner - Engine Compartment 8 cyl. Integral, 429 CID	124
7802	Handles and latch parts (front door)	125
7824	Window parts (front door)	126
7846	Window parts - stationaary - (quarter) - body type 63	127
7847	Window parts - moveable - (quarter) - body type 63, 65, 76	128
7848	Seat, Rear Seat - folding - body type 63	129
7856	Back Window - outside - body type 65	130
7857	Back Window - outside - body type 63	131
7859	Exterior Mouldings - body type 63D, 65, 76 - side	132
7860	Exterior Mouldings - body type 63R - side	133
7861	Exterior Mouldings - body type 65F, 76D - back end	134
7862	Exterior Mouldings - body type 63R - back end	135
7877	Sheet Medal - body types 63, 65 - under body	136
7878	Sheet Medal - body types 75 - under body	137
7879	Sheet Medal - body types 63 - upper body	138
7880	Sheet Medal - body types 65 - upper body	139
7882	Sheet Medal - body types 76 - upper body	140
7895	Exterior Mouldings - body type 63D - back end	141
8047	Seat, Front Seat Back Latch Mechanism - Automatic - center	142
8051	Windshield - body types 63, 65	143
8052	Console (floor)	144
8053	Interior Trim Parts - body type 63 - w/fixed rear seat	145
8054	Interior Trim Parts - body type 63 - w/folding rear seat	146
8055	Interior Trim Parts - body type 65	147
8056	Interior Trim Parts - body type 76	148
8057	Console and related parts	149
8059	Windshield - body type 76	150
8075	Seat, Front Seat Mechanism - lower half	151
8076	Seat, Front Seat Mechanism - upper half	152
		153
		154
		155

100% SATISFACTION GUARANTEED

BUY IT NOW!

Click Here To Order

PayPal American Express Discover MasterCard VISA

Index, Numerical Order
1971 Mustang Part and Body Illustrations

Number	Description	Page
8090	Radiator Grille - w/ Sport Lamps	156
8091	Radiator Grille - w/o Sport Lamps	157
8093	Sheet Metal, Fender and Apron Sheet Metal	158
8098	Lamp, Rear, Backup, License Plate and Body Side Marker	159
8112	Exterior Mouldings - Spoiler - rear deck	160
8119	Steering, Power Steering Pump Installation (302, 351 Engines)	161
8120	Steering, Power Steering Pump Installation (429 Engines)	162
8121	Steering Linkage (Power and Manual)	163
8126	Fuel System	164
8135	Accelerator Linkage, 250 CID engine	165
8136	Accelerator Linkage, 302, 351, 400, 429 engines	166
8141	Brakes, Disc Brake System	167
8142	Brakes, Drum Brake System	168
8143	Brakes, Parking Brake System	169
8144	Clutch and Clutch Pedal	170
8147	Lamp, Sports, Headlamp, Parking and Front Fender Side Marker	171
8172	Roof Side Moulding and weatherstrips - body type 63	172
8179	Luggage Compartment - latch parts	173
8205	Instrument Cluster and related parts	174
8206	Wiring System - instrument panel	175
8210	Instrument Panel	176
8211	Instrument Panel Pad and attaching parts	177
8225-A	Folding Top Parts - less trim - body type 76	178
8225-B	Folding Top Parts - less trim - body type 76 (cont.)	179
8269	Engine Supports and Insulsator - 250 Engines, front and rear	180
8270	Engine Supports and Insulsator - 302, 351 Engines, front and rear	181
8277	Back Belt Mouldings - body type 76	182
8282	Engine Supports and insulators - 8 cylinder 429	183
8287	Air Cleaner - exc. Ram Air - 429 CID Engine	184
8288	Air Cleaner - 302-4V Boss Engine - without Ram Air	185
8289	Air Cleaner - Ram Air - 429 CID Engine	186
8290	Air Cleaner - 351 Engine - Ram Air	187
	302-4V Boss Engine - Ram Air	188
	vacuum hoses - integral - 6 cyl. and 8 cyl.	189
	controls - integral	190

100% SATISFACTION GUARANTEED

BUY IT NOW!

Click Here To Order

PayPal American Express Discover MasterCard VISA

Index, Numerical Order
1971 Mustang Part and Body Illustrations

Number	Description	Page
8301	Air Conditioner - passenger compartment - integral	191
8302	Heater and controls	192
8309	Steering Wheel - 2 spoke - button blow	193
8322	Intake Manifold - 8 cyl. 429 CID	194
8367	Cylinder Block - external (Cleveland)	195
8368	Cylinder Block - internal (Cleveland)	196
8369	Cylinder Block - external (Windsor)	197
8370	Cylinder Block - internal (Windsor)	198
8372	Engine Assembly - 351 CID	199
8387	Windshield Wiper	200
8388	Windshield Washer	201
8398	Engine assembly, 6 Cylinder 200, 250 C.I.D.	202
8403	Engine Assembly - 8 cylinder 429, 460 CID	203
8406	Wiring System (Page A)	204
8408	Rocker arm cover type-closed system, 6 Cylinder 200, 250	205
8410	Wiring System (Page C)	206
8411	Wiring System (Page B)	207
8412	Emission Reduction System - closed (1971 Boss)	208
8413	Emission Reduction System - closed (1971/72 exc. Boss)	209
8425	Window Regulators - electric, controls, wiring system	210
8426	Convertible Top Electrical System	211
8429	Warning Indicator System - safety convenience	212
8431	Window, back - Heated (defroster)	213
8434	Seat Belt Warning Lamp and related parts	214
8453	Distributor Modulator - 6 cylinder 250 C.I.D.	215
8503	Air Conditioner - passenger compartment - Hang-on - Slimline	216
8523	Thermactor Emission Control System - 8 Cyl. "Boss 302" Engine	217
8524	Thermactor Emission Control System - 8 Cyl. 429 Engine	218
8534	Seat, Front seat back latch mechanism - automatic - outboard	219
8571	Roof Cover Moulding - body type 65	220
8904	Carburetor - Carter 1V	221
9043	Electronic Spark Control System (E.S.C.) - 6 cylinder 250 Engine	222
	Control System (E.S.C.) - 8 cylinder 302-2V Engine	223
	Control System (E.S.C.) - 8 cylinder 351-4V Engine w/Ram	224



BUY IT NOW!

Click Here To Order



Index, Numerical Order
1971 Mustang Part and Body Illustrations

Number	Description	Page
9053	Electronic Spark Control System (E.S.C.) - 8 cylinder 351-4V Engine w/o Ram Air	225
9106	Ventilating Ducts	226
9199	Roof Side Moulding and weatherstrips - body type 65	227
9859	Steering Gear Details	228
10207	Instrument Cluster, Auxiliary - w/gauges	229
10685	Steering Wheel - 3 spoke - rim blow - w/o cover	230
11434	Windshield wiper - wiper motor (2 speed Ford electric)	231
11536	Child safety seat	232
EA-33	Exhaust System, 250-1B, Single Exhaust	233
EA-34	Exhaust System, 302-2B, Single Exhaust	234
EA-35	Exhaust System, 302-4B, Boss, Dual Exhaust	235
EA-36	Exhaust System, 351-2B, Single Exhaust	236
EA-37	Exhaust System, 351-4B, Std., CJ & Spec (Boss), Dual Exhaust	237
EA-38	Exhaust System, 429 CJ & 429 S/CJ, Dual Exhaust	238



Index, Alphabetical Order
1971 Mustang Part and Body Illustrations

Description	Number	Page
Accelerator Linkage, 250 CID engine	8135	165
Accelerator Linkage, 302, 351, 400, 429 engines	8136	166
Air Cleaner - 302-4V Boss Engine - Ram Air	8291	188
Air Cleaner - 302-4V Boss Engine - without Ram Air	8288	185
Air Cleaner - 351 Engine - Ram Air	8290	187
Air Cleaner - 6 Cylinder	6221	80
Air Cleaner - exc. Ram Air	6224	81
Air Cleaner - exc. Ram Air - 429 CID Engine	8287	184
Air Cleaner - exc. Ram Air (8 cylinder)	7376	112
Air Cleaner - Ram Air - 429 CID Engine	8289	186
Air Conditioner - controls - integral	8300	190
Air Conditioner - engine compartment - integral 6 cyl. 200, 250 CID	7741	122
Air Conditioner - Engine Compartment 8 cyl. Integral, 302, 351 CID	7742	123
Air Conditioner - Engine Compartment 8 cyl. Integral, 429 CID	7743	124
Air Conditioner - passenger compartment - Hang-on - Slimline	8503	216
Air Conditioner - passenger compartment - integral	8301	191
Air Conditioner - vacuum hoses - integral - 6 cyl. and 8 cyl.	8293	189
Air conditioner, Compressor (York design)	4382	52
Air conditioner, Compressor (Tecumseh design)	4381	51
Air conditioner, Compressor clutch (integral)	3216	34
Alternator (Ford 15 volt - 65 amp)	5394	68
Alternator (Ford 15 volt-38, 42, 45, 55, 60 amp)	4508	55
AM Stereo Tape Player, AM/FM Multiplex Radio with speakers - integral	7078	105
Back Belt Mouldings - body type 76	8277	182
Back Window - outside - body type 63	7857	131
Back Window - outside - body type 65	7856	130
Brake Cylinder Details - front & rear	3906	44
Brake details - drum rear	3703	36
Brake Details, disc front	6218	79
Brake Master Cylinder details	5518	70
Brakes, Disc Brake System	8141	167
Brakes, Drum Brake System	8142	168
	8143	169
	8087	155
	8084	153

100% SATISFACTION GUARANTEED

BUY IT NOW!

Click Here To Order

PayPal American Express Discover MasterCard VISA

Index, Alphabetical Order
1971 Mustang Part and Body Illustrations

Description	Number	Page
Camshaft, gear and bearings, 6 Cylinder 200, 250 C.I.D.	2964	26
Camshaft, gear and bearings, 8 Cylinder 289 C.I.D.	3733	40
Carburetor - Carter 1V	8904	221
Carburetor - Carter RBS (6 cyl. 250 CID engine)	7295	109
Carburetor - Ford 2V	7457	118
Carburetor - Ford 4V - without external accel pump	5457	69
Child safety seat	11536	232
Clutch and Clutch Pedal	8144	170
Console (floor)	8052	144
Consolette and related parts	8057	149
Convertible Top Electrical System	8426	211
Cooling System - 390, 427, 428, 429 CID Engine	5723	74
Cooling Systems, 6 & 8 Cyl. Engines	3147	32
Courtesy Lamp - pillar mounted	7040	102
Crankshaft and flywheel, 6 Cylinder 200, 250 C.I.D.	4899	59
Crankshaft and flywheel, 8 Cylinder 289 C.I.D.	3734	41
Cylinder Block - external (Cleveland)	8367	195
Cylinder Block - external (Windsor)	8369	197
Cylinder Block - internal (Cleveland)	8368	196
Cylinder Block - internal (Windsor)	8370	198
Cylinder block, 6 Cylinder 200, 250 C.I.D.	3088	27
Cylinder head, valves, and related parts, 8 Cyl.	3727	38
Distributor (6 Cylinder 250 Engine)	5825	76
Distributor (8 cylinder – with stamped weights)	4924	60
Distributor Modulator - 6 cylinder 250 C.I.D.	8453	215
Door Bumpers, rubber	6440	82
Drive Shaft	3144	31
Electronic Spark Control System (E.S.C.) - 6 cylinder 250 Engine	9043	222
Electronic Spark Control System (E.S.C.) - 8 cylinder 302-2V Engine	9046	223
Electronic Spark Control System (E.S.C.) - 8 cylinder 351-4V Engine w/Ram Air	9050	224
Electronic Spark Control System (E.S.C.) - 8 cylinder 351-4V Engine w/o Ram Air	9053	225
Exhaust Manifold - closed (1971 Boss)	8412	208
Exhaust Manifold - closed (1971/72 exc. Boss)	8413	209
Exhaust Manifold - open	8372	199

100% SATISFACTION GUARANTEED

BUY IT NOW!

Click Here To Order

PayPal American Express Discover MasterCard VISA

Index, Alphabetical Order
1971 Mustang Part and Body Illustrations

Description	Number	Page
Engine Assembly - 8 cylinder 429, 460 CID	8403	203
Engine assembly, 6 Cylinder 200, 250 C.I.D.	8398	202
Engine Governor Transistorized - 302, 428, 429 CJ & SCJ	7589	121
Engine Oil Cooler System	6984	101
Engine Supports and insulators - 8 cylinder 429	8282	183
Engine Supports and Insulsator - 250 Engines, front and rear	8269	180
Engine Supports and Insulsator - 302, 351 Engines, front and rear	8270	181
Exhaust System, 250-1B, Single Exhaust	EA-33	233
Exhaust System, 302-2B, Single Exhaust	EA-34	234
Exhaust System, 302-4B, Boss, Dual Exhaust	EA-35	235
Exhaust System, 351-2B, Single Exhaust	EA-36	236
Exhaust System, 351-4B, Std., CJ & Spec (Boss), Dual Exhaust	EA-37	237
Exhaust System, 429 CJ & 429 S/CJ, Dual Exhaust	EA-38	238
Exterior Mouldings - body type 63D - back end	7895	141
Exterior Mouldings - body type 63D, 65, 76 - side	7859	132
Exterior Mouldings - body type 63R - back end	7862	135
Exterior Mouldings - body type 63R - side	7860	133
Exterior Mouldings - body type 65F, 76D - back end	7861	134
Exterior Mouldings - Spoiler - rear deck	8112	160
Folding Top Parts - less trim - body type 76	8225-A	178
Folding Top Parts - less trim - body type 76 (cont.)	8225-B	179
Front and rear wheel, hub, & bearing	3118	30
Front Seat Back Latch	7296	110
Fuel System	8126	164
Gear Shift Mechanism - Hurst Floor Mounted - 4 Speed Manual Transmission	7499	119
Gear Shift Mechanism, Transmission - console or floor mtd - 3 speed trans.	6794	95
Handles and latch parts (front door)	7802	125
Headrest, Front Seat	6809	97
Heater and controls	8302	192
Hinges - front door lower	6981	100
Hinges - front door upper	6980	99
Instrument Cluster and related parts	8205	174
Instrument Cluster w/gauges	10207	229
Interior Trim and related parts	8210	176
Lighting parts	8211	177

100% SATISFACTION GUARANTEED

BUY IT NOW!

Click Here To Order

PayPal American Express Discover MasterCard VISA

Index, Alphabetical Order
1971 Mustang Part and Body Illustrations

Description	Number	Page
Intake Manifold - 8 cyl. 429 CID	8322	194
Intake manifold & related parts, 8 Cylinder 289 CID Engine	3742	43
Interior Trim Parts - body type 63 - w/fixed rear seat	8053	145
Interior Trim Parts - body type 63 - w/folding rear seat	8054	146
Interior Trim Parts - body type 65	8055	147
Interior Trim Parts - body type 76	8056	148
Jack and Spare Wheel Parts	7063	104
Lamp, Rear, Backup, License Plate and Body Side Marker	8098	159
Lamp, Sports, Headlamp, Parking and Front Fender Side Marker	8147	171
Luggage Carrier - luggage compartment mounted - removable	6738	94
Luggage Carrier, Ski Rack, Luggage Cover - Luggage Compartment Mounted	7402	113
Luggage Compartment - latch parts	8179	173
Luggage Compartment trim	7428	114
Mirror - remote control	5773	75
Oil filters - cartridge type	1246	20
Oil filters - spin-on type	2384	22
Oil Filters - spin-on type and adapter	2486	23
Oil pump, 6 Cylinder 200, 250 C.I.D.	2963	25
Oil pump, 8 Cylinder 260, 289,302,351,400,429,460 C.I.D.	3736	42
Piston and connecting rod, 6 Cyl and 8 Cyl 260, 289,302,351,400,429,460 C.I.D.	3732	39
Piston and connecting rod, 6 Cylinder 200, 250 C.I.D.	3090	29
Pressure Release Vent - Quarter	7183	106
Radiator Grille - w/ Sport Lamps	8090	156
Radiator Grille - w/o Sport Lamps	8091	157
Rear Axle Non-Locking (separate carrier)	2130	21
Rear Axle, Locking - Dapco no-spin-9" ring gear (separate carrier)	4721	56
Rear Axle, Locking (Traction Lok)	6459	83
Rocker arm cover type-closed system, 6 Cylinder 200, 250	8408	205
Roof Cover Moulding - body type 65	8571	220
Roof Side Moulding and weatherstrips - body type 63	8172	172
Roof Side Moulding and weatherstrips - body type 65	9199	227
Seat Installation - Front Seat	7450	115
Seat	7451	116
Seat related parts	8434	214

100% SATISFACTION GUARANTEED

BUY IT NOW!

Click Here To Order

PayPal American Express Discover MasterCard VISA

Index, Alphabetical Order
1971 Mustang Part and Body Illustrations

Description	Number	Page
Seat, Front Seat Back Latch Mechanism - Automatic - center	8047	142
Seat, Front seat back latch mechanism - automatic - outboard	8534	219
Seat, Front Seat Mechanism - lower half	8075	151
Seat, Front Seat Mechanism - upper half	8076	152
Seat, Rear Seat - folding - body type 63	7848	129
Sheet Medal - body types 63 - upper body	7879	138
Sheet Medal - body types 63, 65 - under body	7877	136
Sheet Medal - body types 65 - upper body	7880	139
Sheet Medal - body types 75 - under body	7878	137
Sheet Medal - body types 76 - upper body	7882	140
Sheet Metal, Fender and Apron Sheet Metal	8093	158
Sheet Metal, Hood	8086	154
Starter and Drive Assy. – Positive Engagement	3191	33
Starter and Solenoid (Ford 12 volt - positive engagement)	5952	77
Starter Drive (Ford 12 volt – positive engagement)	5526	72
Steering Column - floor shift - fixed wheel	7245	107
Steering Column - floor shift - tilt wheel	7246	108
Steering Gear Details	9859	228
Steering Gear Details (Saginaw Design)	4723	57
Steering Linkage (Power and Manual)	8121	163
Steering Wheel - 2 spoke	7513	120
Steering Wheel - 2 spoke - button blow	8309	193
Steering Wheel - 3 spoke - rim blow - w/o cover	10685	230
Steering, Power steering pump details	5615	73
Steering, Power Steering Pump Installation	7364	111
Steering, Power Steering Pump Installation (302, 351 Engines)	8119	161
Steering, Power Steering Pump Installation (429 Engines)	8120	162
Stereo tape player - hang-on	6540	93
Suspension, Front	6927	98
Suspension, Rear	5960	78
Suspension, Rear - maximum handling stabilizer bar	7455	117
Thermactor Emission Control System - 8 Cyl. "Boss 302" Engine	8523	217
Thermactor Emission Control System - 8 Cyl. 429 Engine	8524	218
Throttle Cables	4862	58
Throttle Control Selector Mechanism, Automatic	6802	96

100% SATISFACTION GUARANTEED

BUY IT NOW!

Click Here To Order

PayPal American Express Discover MasterCard VISA

Index, Alphabetical Order
1971 Mustang Part and Body Illustrations

Description	Number	Page
Transmission Automatic, Vacuum throttle valve, lines and fittings - typical	3627	35
Transmission C4 Type, Case, converter assy., extension, pump - typical	4326	46
Transmission C4 Type, Clutches, gears, shafts, rear support - typical	4327	47
Transmission C4 Type, Main control valve body assy. (Basic 7A100) - typical	4507	54
Transmission C4 Type, Parking pawl, throttle and manual control linkage - typical	4330	50
Transmission C4 Type, Servo and band, front - typical	4328	48
Transmission C4 Type, Servo and band, rear - typical	4329	49
Transmission C6 Type, Case, converter assy., extension, pump - typical	5172	62
Transmission C6 Type, Clutches, gears, shafts - typical	5173	63
Transmission C6 Type, Main control valve body assy. (Basic 7A100) - typical	5176	65
Transmission C6 Type, Parking pawl, throttle and manual control linkage - typical	5191	66
Transmission C6 Type, Servo and band - typical	5174	64
Transmission FMX type - Case, converter assy., extension, pump, rear support - typical	6462	84
Transmission FMX type - Clutches, gears, shafts, extension - typical	6463	85
Transmission FMX type - Main control valve body assy. (Basic 7A100) - typical	6466	88
Transmission FMX type - Oil pressure regulator assy. (Basic 7A139) - typical	6470	89
Transmission FMX type - Oil pressure tubes installation - typical	6472	91
Transmission FMX type - Parking pawl, throttle and manual control linkage - typical	6471	90
Transmission FMX type - Servo and band, front - typical	6464	86
Transmission FMX type - Servo and band, rear - typical	6465	87
Transmission Oil cooling system, automatic - typical	5381	67
Transmission Oil cooling system, automatic - typical	7041	103
Transmission, Manual, 3 Speed manual trans 3.03 type	4012	45
Transmission, Manual, Ford 4 speed	4424	53
Valves, push rods and rocker arm cover, 6 Cyl and 8 Cyl 260, 289,302,351,400,429,460	3726	37
Valves, push rods and rocker arm cover, 6 Cylinder	3089	28
Ventilating Ducts	9106	226
Voltage Regulator (Ford 15 volt, negative ground)	5525	71
Warning Indicator System - safety convenience	8429	212
Water Pump, 429, 460 engines	6492	92
Water Pump, 290, 302, 351, 400, 429, 460 engines	2962	24

100% SATISFACTION GUARANTEED

BUY IT NOW!

Click Here To Order

PayPal American Express Discover MasterCard VISA

Index, Alphabetical Order
1971 Mustang Part and Body Illustrations

Description	Number	Page
Water Pumps, 8 cyl. - 289, 302, 351W engine (with cover)	5143	61
Window parts - moveable - (quarter) - body type 63, 65, 76	7847	128
Window parts - stationaary - (quarter) - body type 63	7846	127
Window parts (front door)	7824	126
Window Regulators - electric, controls, wiring system	8425	210
Window, back - Heated (defroster)	8431	213
Windshield - body type 76	8059	150
Windshield - body types 63, 65	8051	143
Windshield Washer	8388	201
Windshield Wiper	8387	200
Windshield wiper - wiper motor (2 speed Ford electric)	11434	231
Wiring System - instrument panel	8206	175
Wiring System (Page A)	8406	204
Wiring System (Page B)	8411	207
Wiring System (Page C)	8410	206





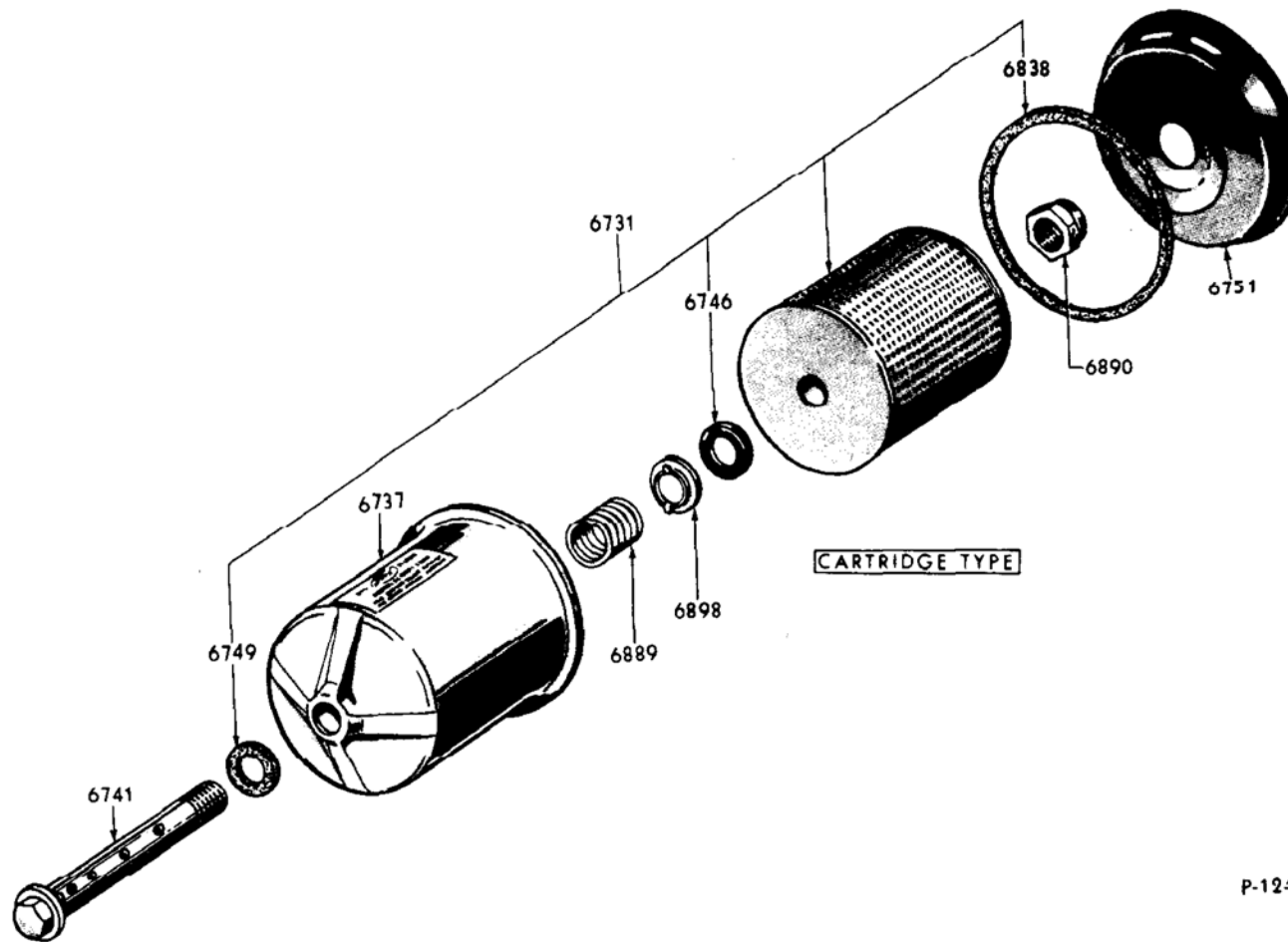




100% SATISFACTION GUARANTEED

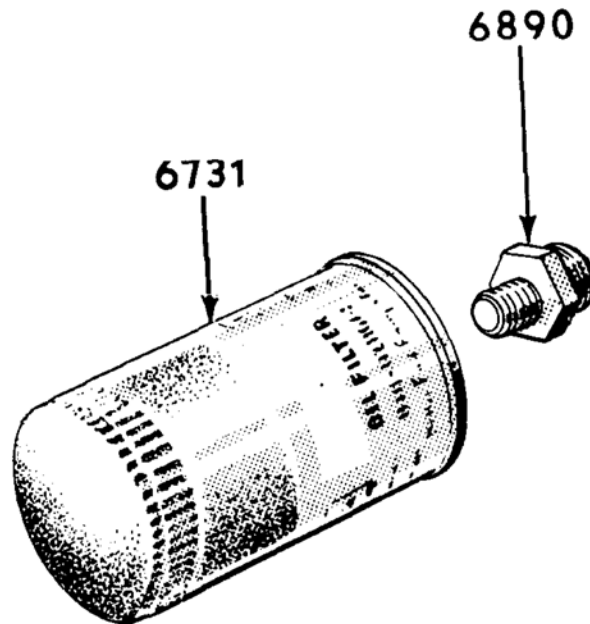
BUY IT NOW!

Click Here To Order



P-1246

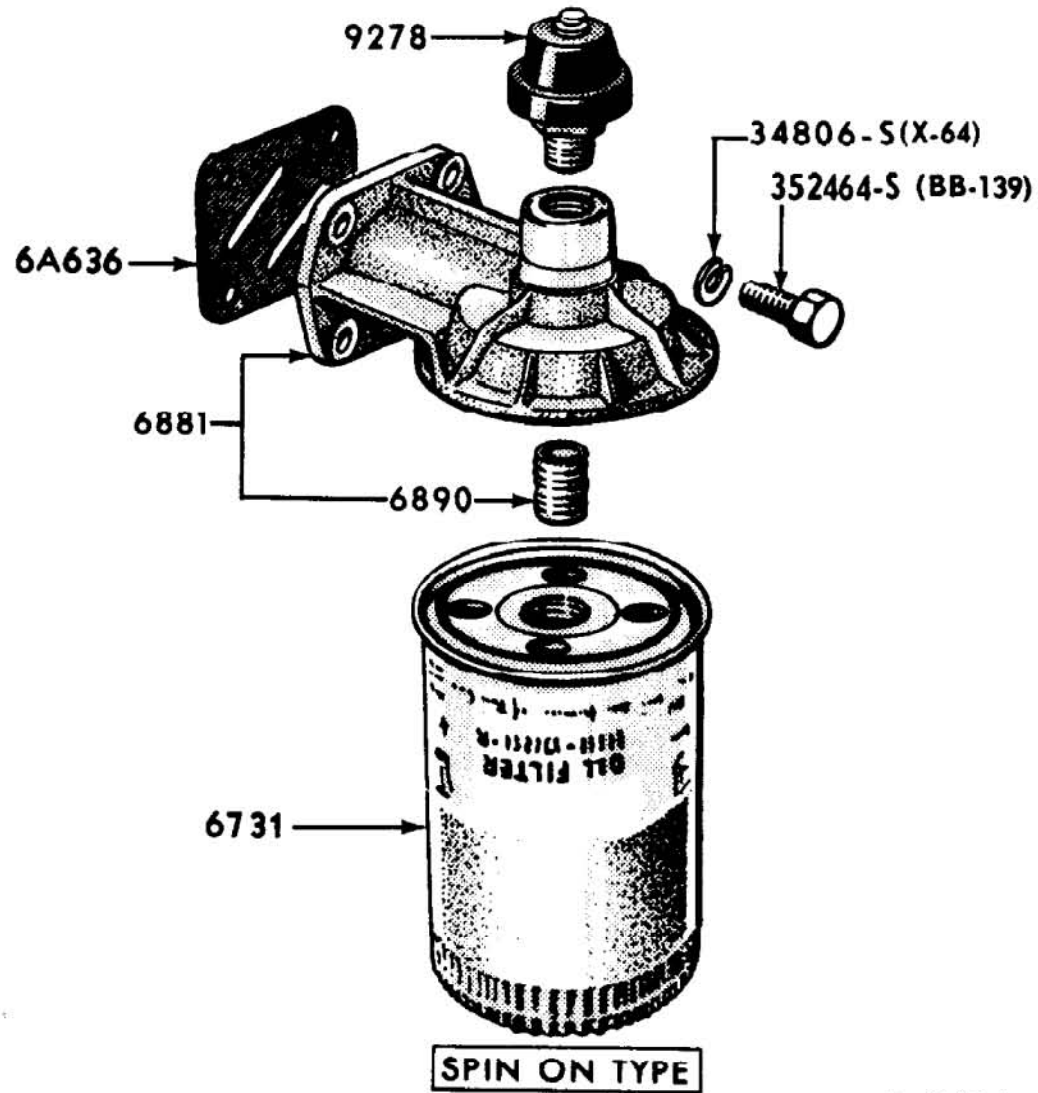
**ENGINE FILER AND RELATED PARTS - CARTRIDGE TYPE - TYPICAL
1965 / 72 6 CYLINDER 170, 200, 240, 250 AND 8 CYLINDER 260, 289, 302 AND 351**



P-2384

ENGINE FILER AND RELATED PARTS - SPIN-ON TYPE - TYPICAL

1965 / 72 6 CYLINDER 170, 200, 240, 250 AND 8 CYLINDER 260, 289, 302, 351, 352, 390, 400, 427, 428, 429 AND 460



100% SATISFACTION GUARANTEED

BUY IT NOW!

Click Here To Order

PayPal

MasterCard

VISA

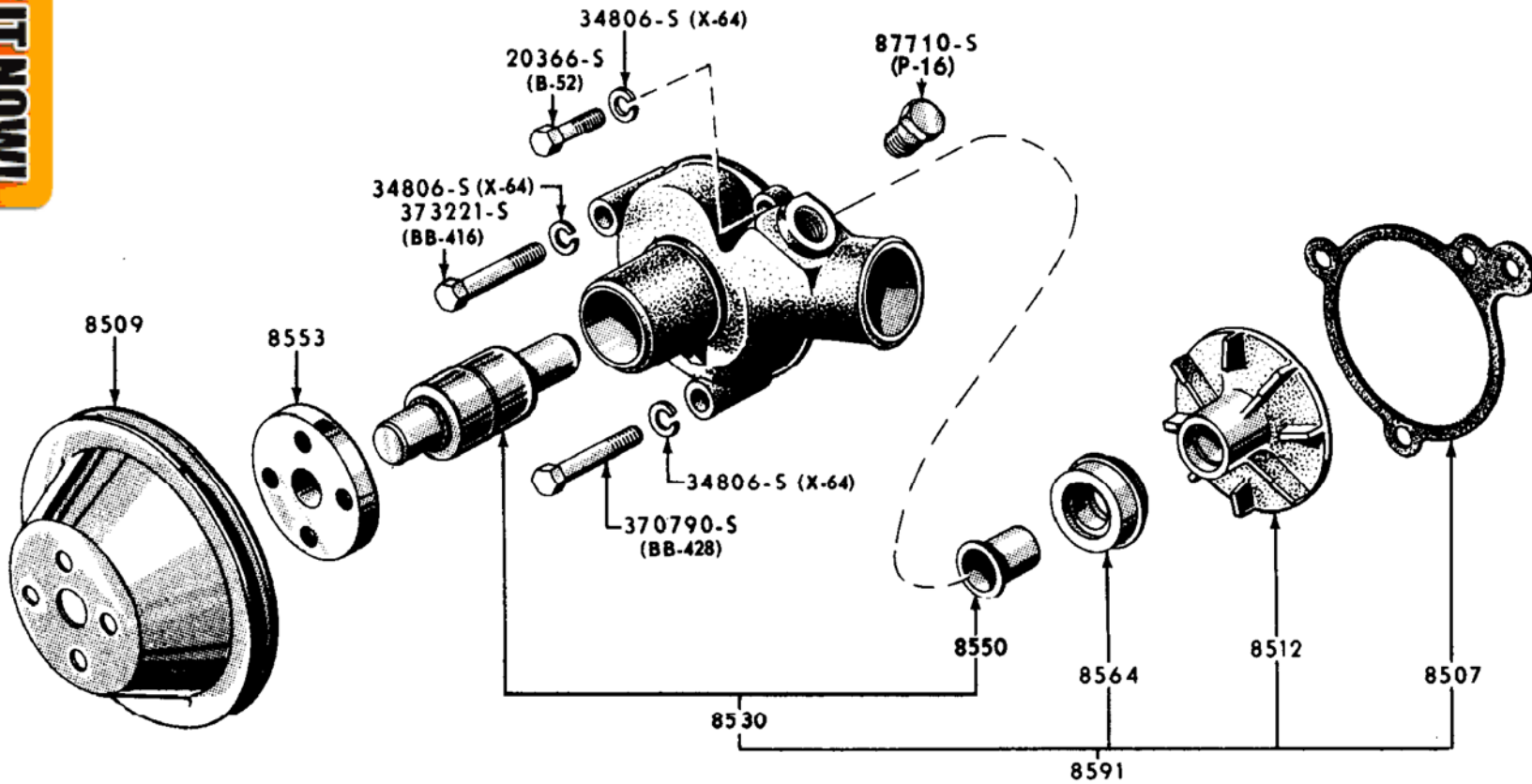
ENGINE OIL FILTER, ADAPTER AND RELATED PARTS - TYPICAL
1965/ 8 CYLINDER 352, 390, 400, 427, 428 AND 429





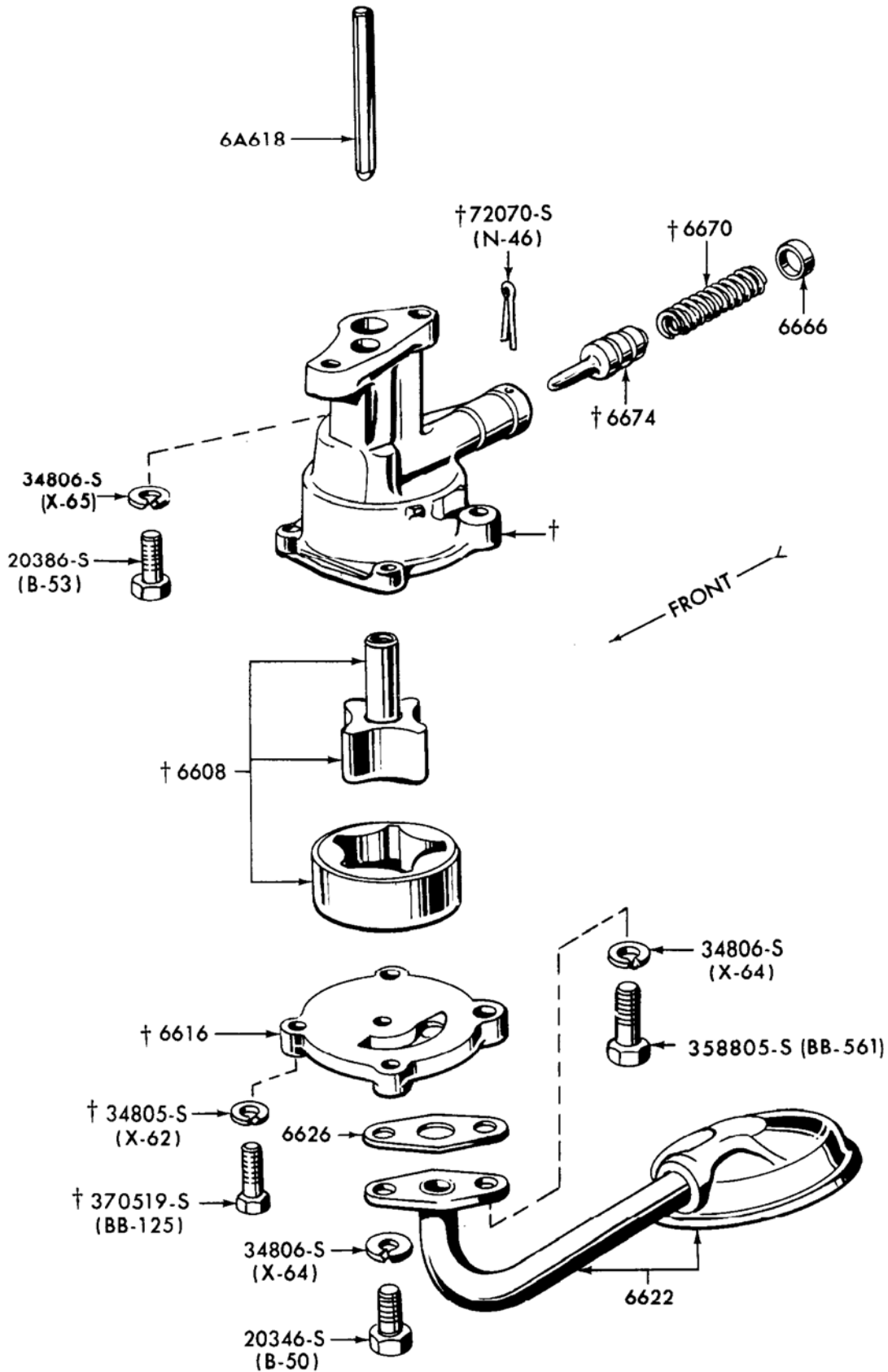


100% SATISFACTION GUARANTEED
BUY IT NOW!
 Click Here To Order



P-2962

WATER PUMP
 1965 / 72 6 CYLINDER 170, 200 AND 250



† SUPPLIED IN 6600 PUMP ASSEMBLY

P-2963



BUY IT NOW!

Click Here To Order



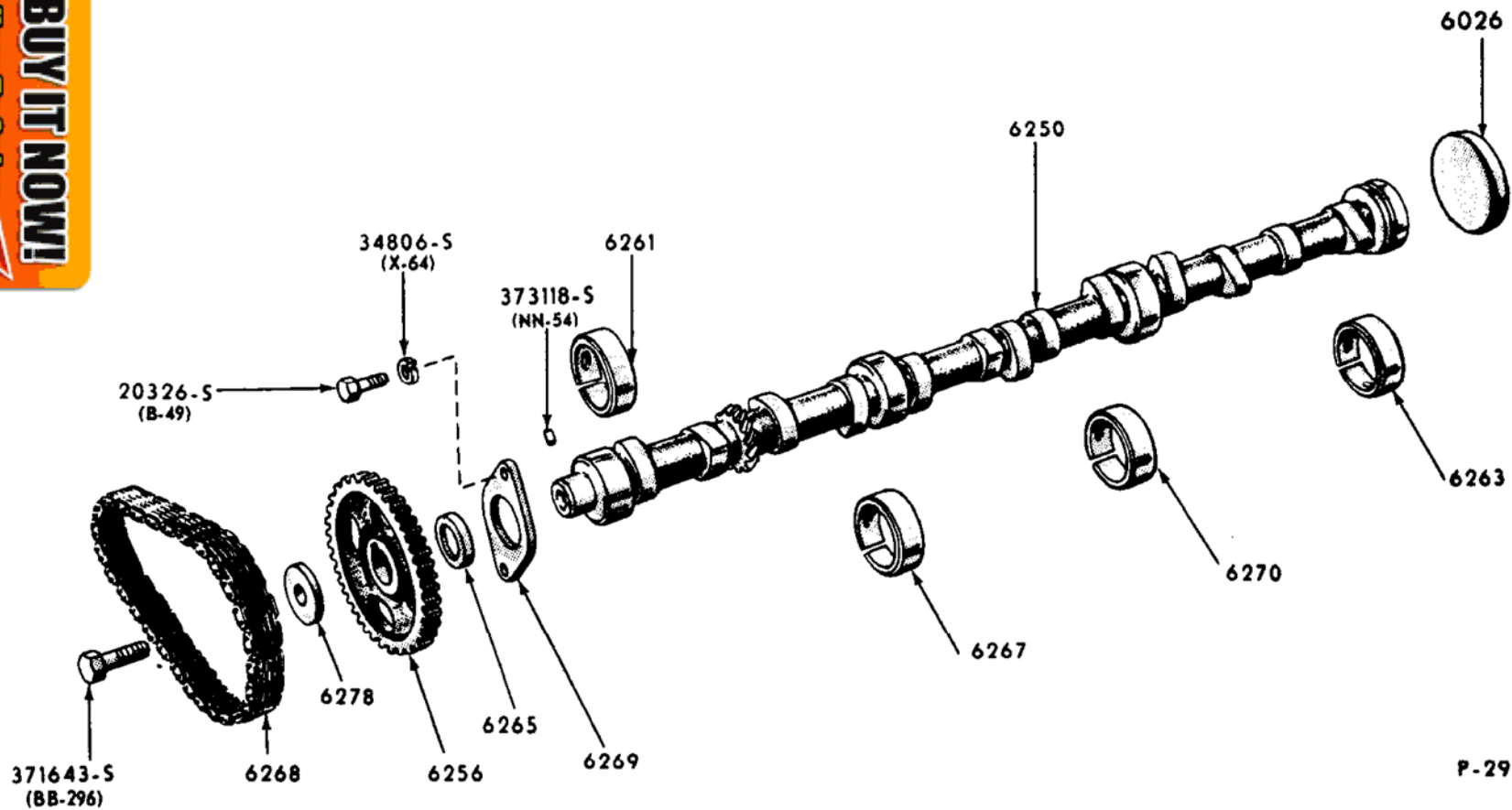
**PUMP AND RELATED PARTS -- TYPICAL
6 CYLINDER 170, 200 AND 250**





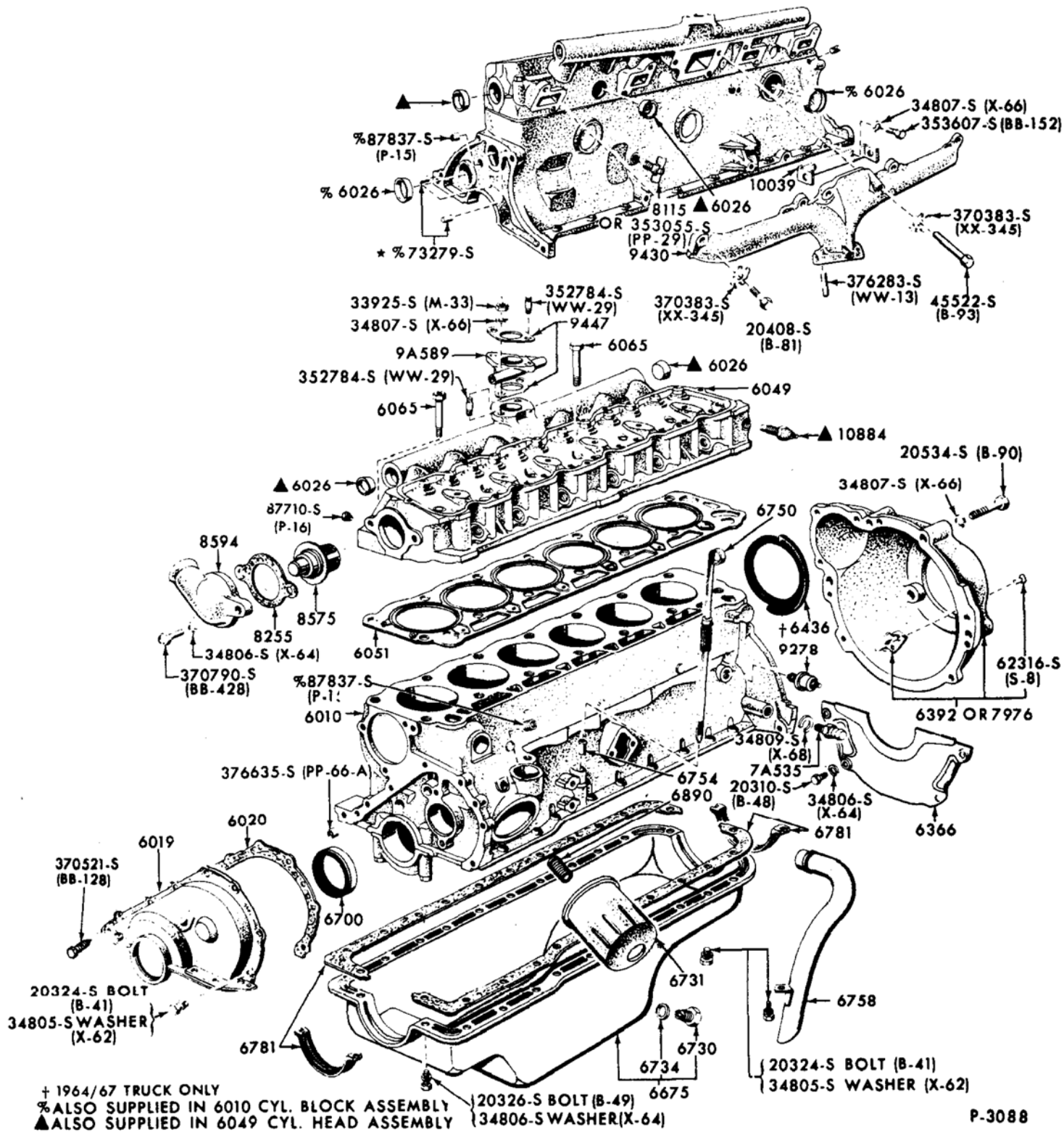


100% GUARANTEED
BUY IT NOW!
 Click Here To Order



P-2964

ENGINE CAMSHAFT, GEAR, BEARINGS AND RELATED PARTS -- TYPICAL
1965 / 72 6 CYLINDER 170, 200 AND 250



P-3088

BUY IT NOW!
 Click Here To Order

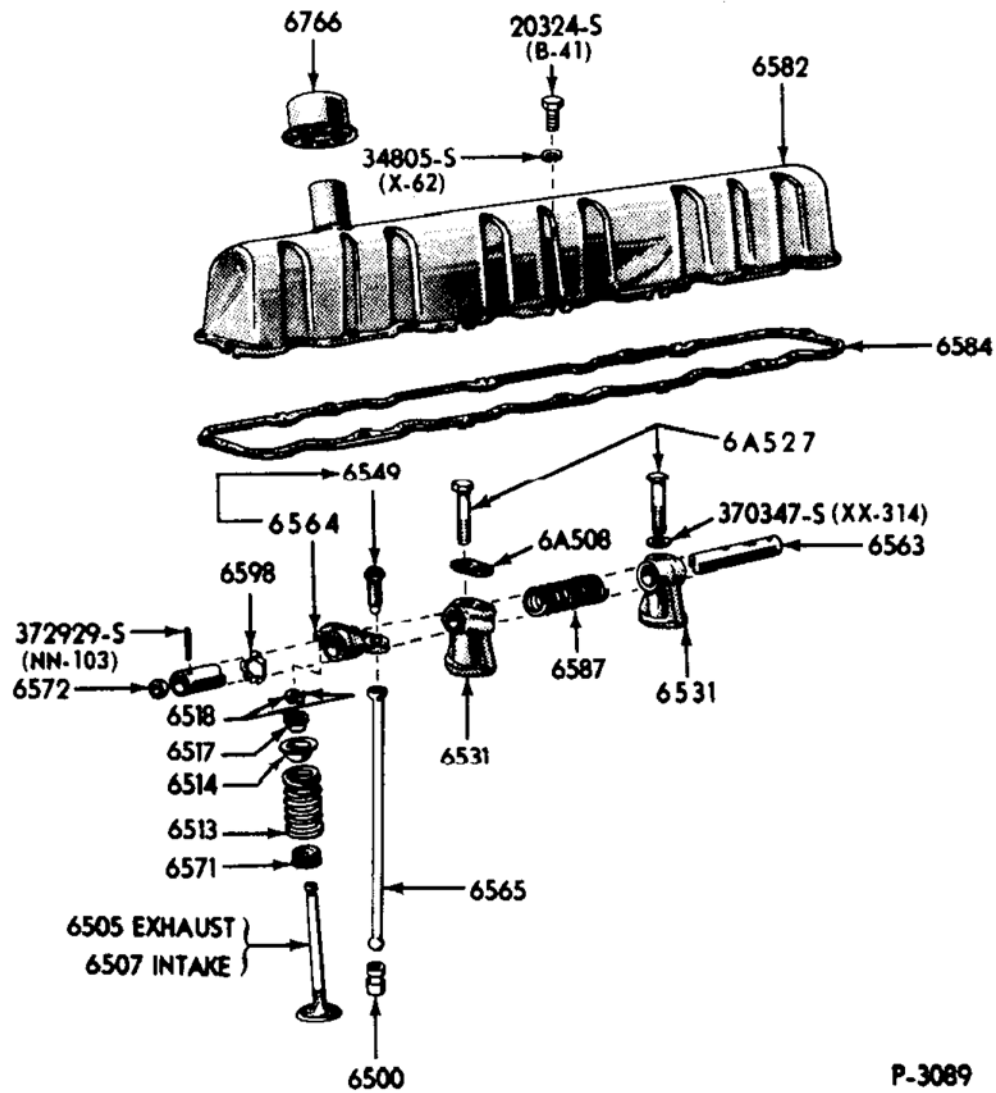
CYLINDER BLOCK AND RELATED PARTS
FOR 170, 200 AND 250 ENGINES -- TYPICAL
1965 / 72







100% SATISFACTION GUARANTEED
BUY IT NOW!
[Click Here To Order](#)



P-3089

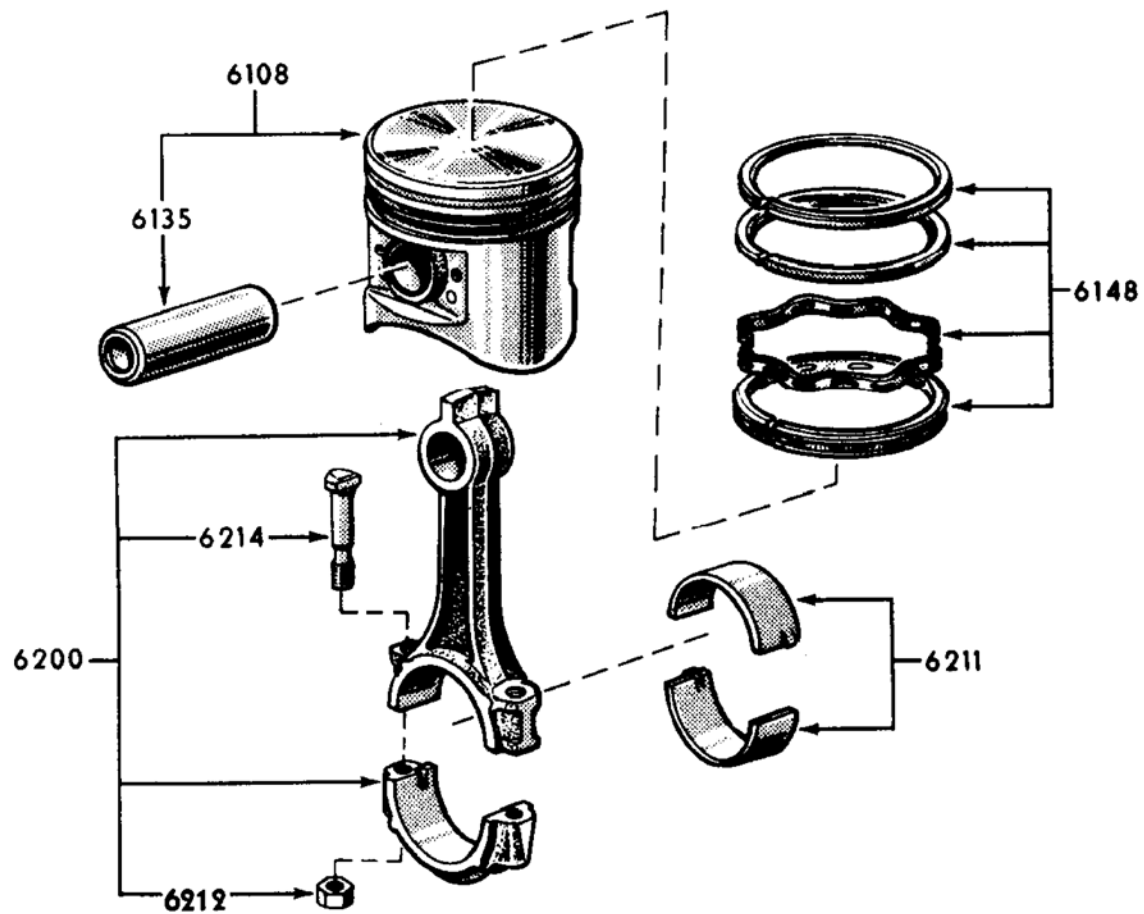
ENGINE VALVES, PUSH RODS, ROCKER ARM COVER AND RELATED PARTS -- TYPICAL
 1965/72 6 CYLINDER 170, 200 AND 250







100% SATISFACTION GUARANTEED
BUY IT NOW!
[Click Here To Order](#)



P-3090

ENGINE PISTON, CONNECTION ROD AND RELATED PARTS -- TYPICAL
1965 /72 6 CYLINDER 170, 200 AND 250



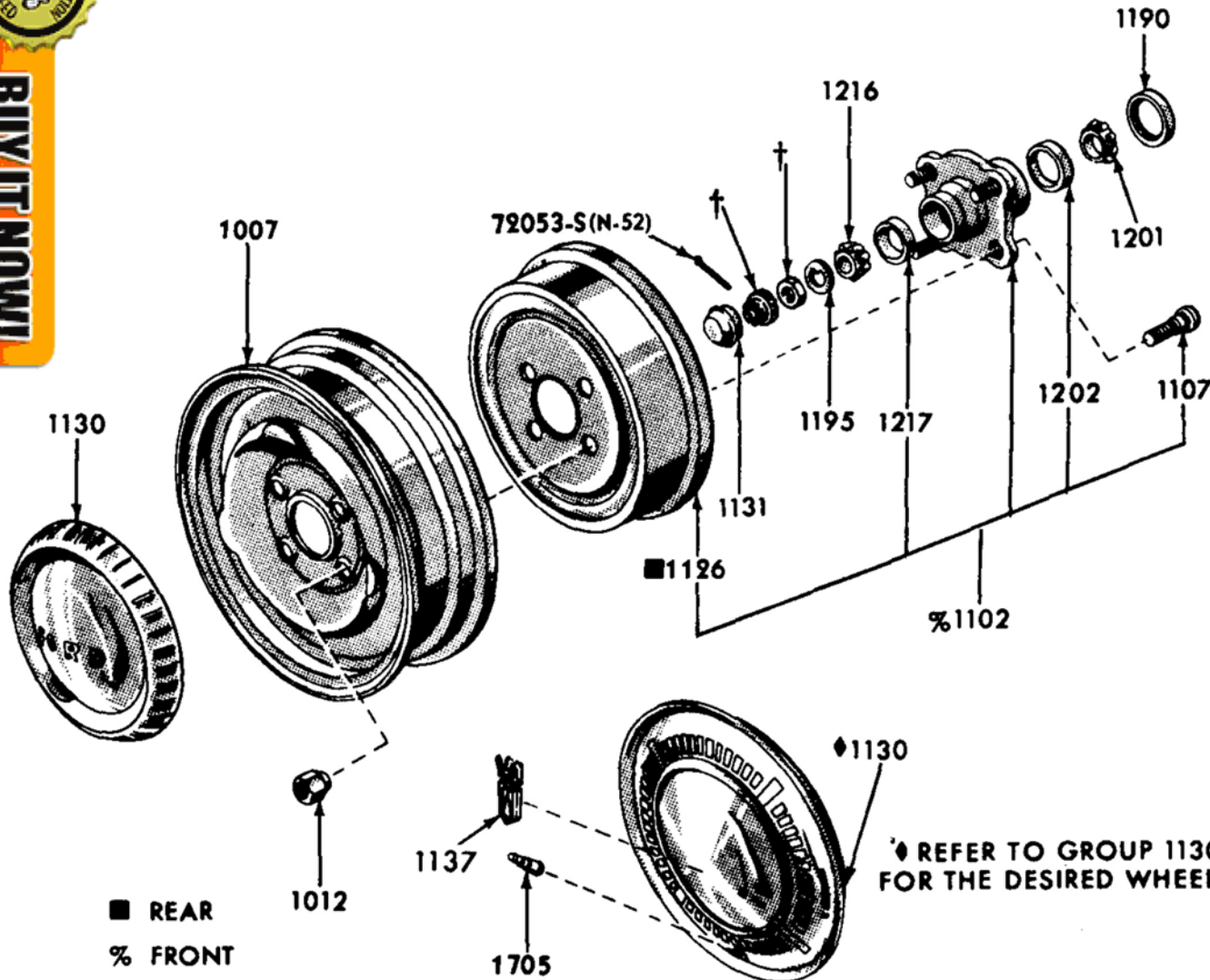




100% SATISFACTION GUARANTEED

BUY IT NOW!

Click Here To Order



■ REAR

% FRONT

† FRONT WHEELS ONLY - REFER TO GROUP 1102 FOR PART NUMBER & MODEL APPLICATION

◆ REFER TO GROUP 1130 IN TEXT SECTION FOR THE DESIRED WHEEL COVER OR HUB CAP

P-3118

FRONT & REAR WHEEL, HUB, & BEARINGS - TYPICAL
 1965/72 FAIRLANE/TORINO, FALCON, MAVERICK, MUSTANG 1971 PINTO



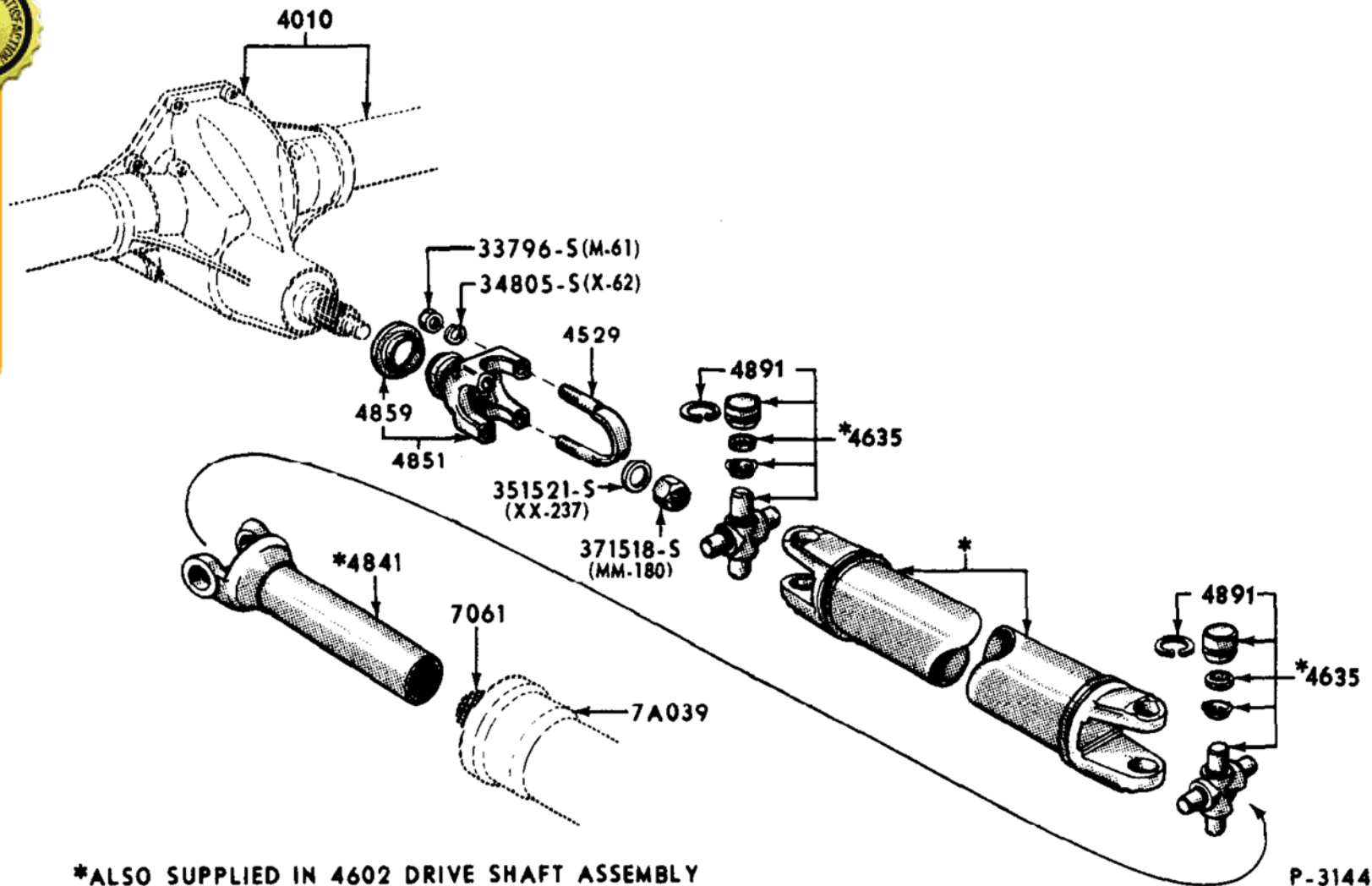




100% SATISFACTION GUARANTEED

BUY IT NOW!

Click Here To Order



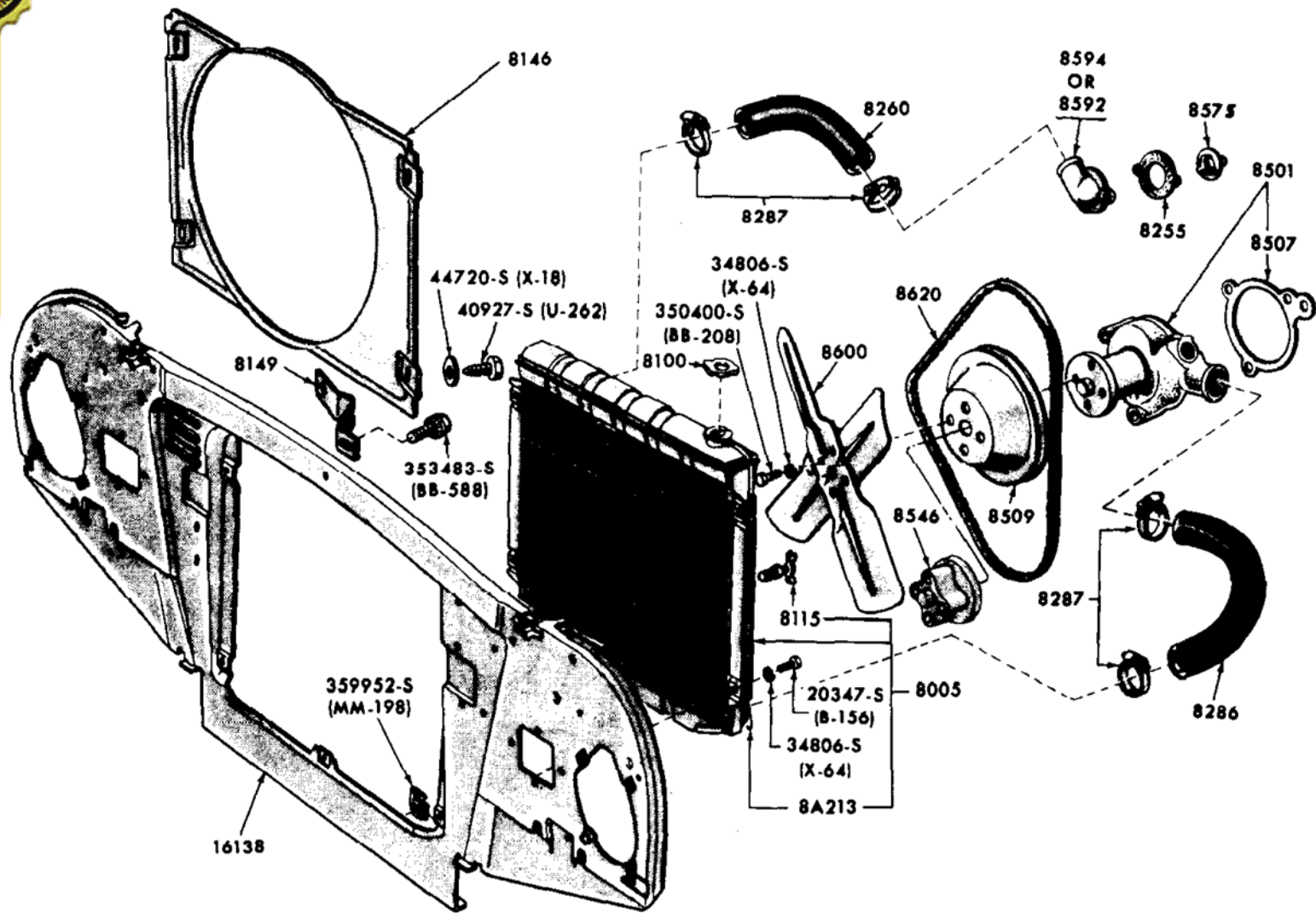
DRIVE SHAFT - TYPICAL
1965/72 MUSTANG, FAIRLANE/TORINO & 1965/70 FALCON
1970/72 MAVERICK, 1971/72 PINTO





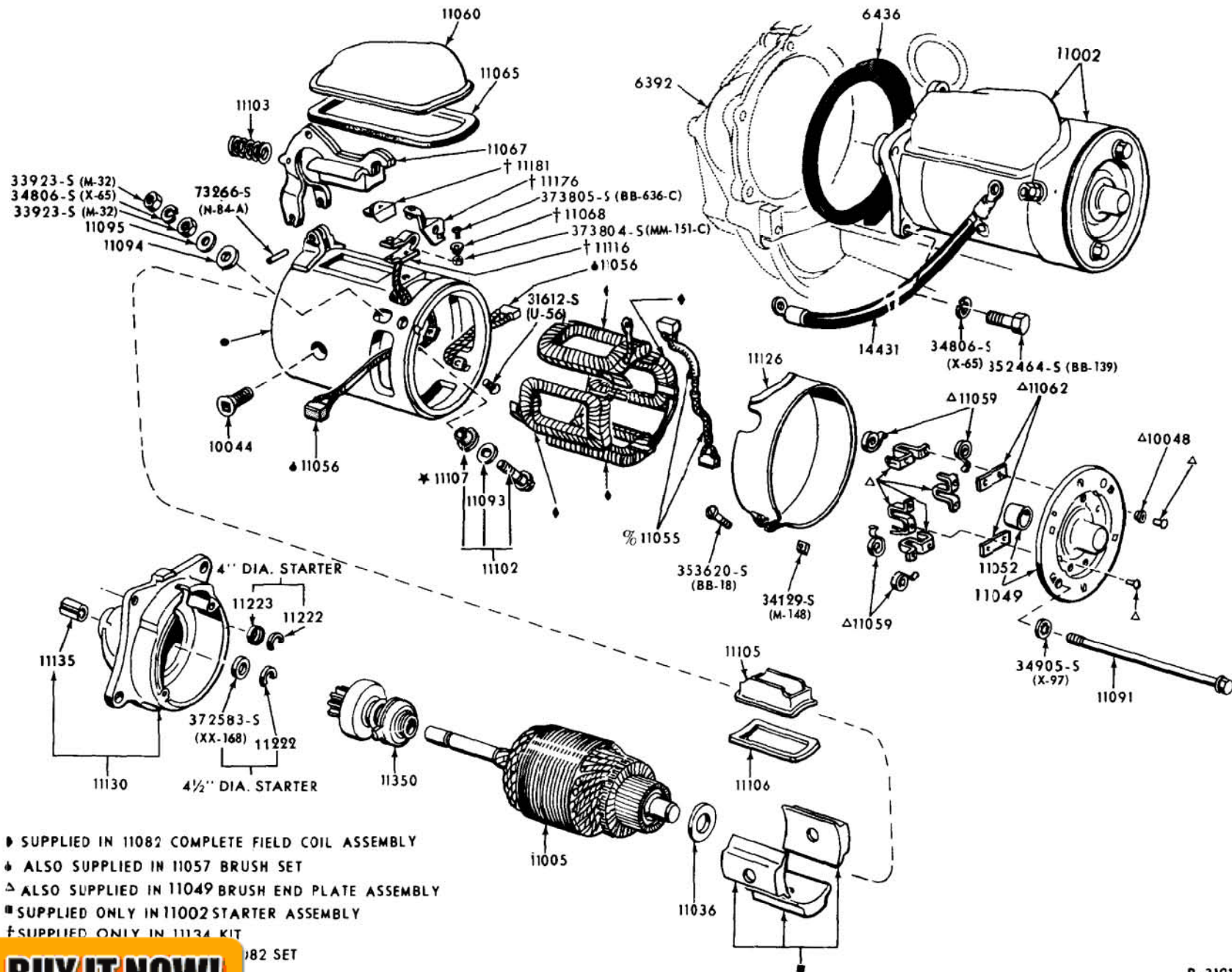


100% SATISFACTION GUARANTEED
BUY IT NOW!
[Click Here To Order](#)



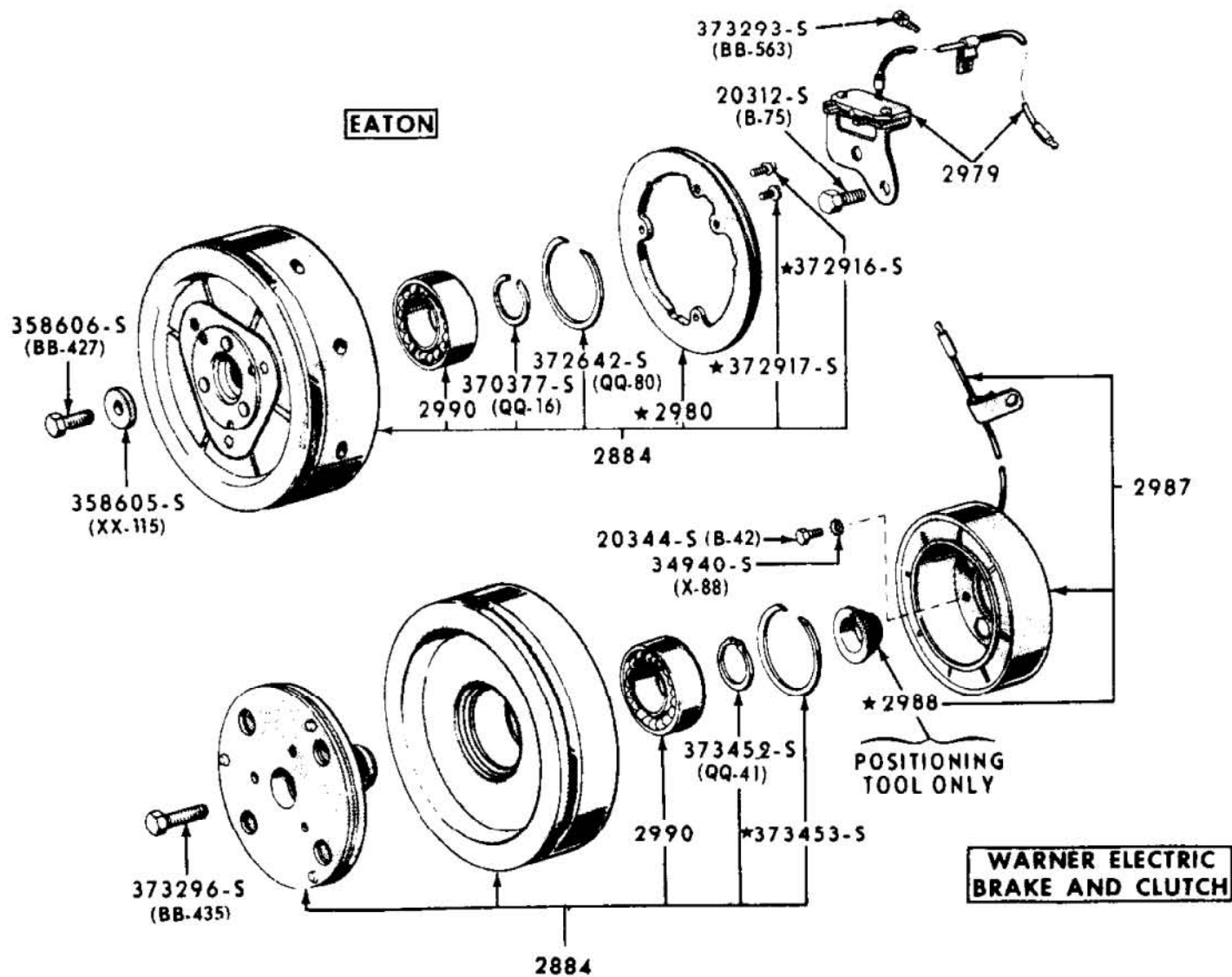
P-3147

COOLING SYSTEM AND RELATED PARTS - TYPICAL
1965 / 72 FALCON, MAVERICK, MUSTANG - 6 CYLINDER 170, 200, 250, AND 8 CYLINDER 260, 289, 302 & 351
1966 / 72 BRONCO - 6 CYLINDER 170



100% SATISFACTION GUARANTEED
BUY IT NOW!
 Click Here To Order

STARTER AND DRIVE ASSY. - POSITIVE ENGAGEMENT
 1965 / 72



P-3216

100% SATISFACTION GUARANTEED

BUY IT NOW!

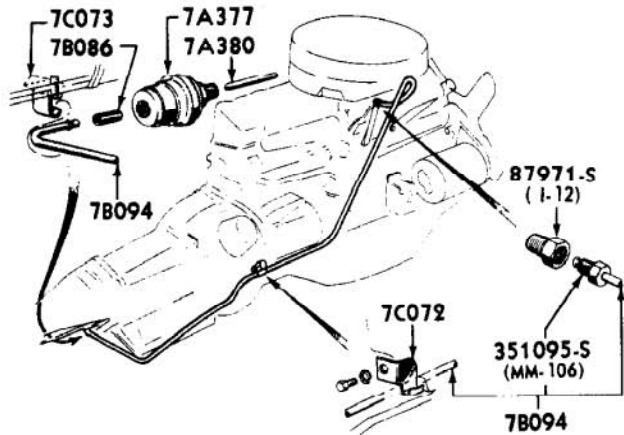
Click Here To Order

PayPal

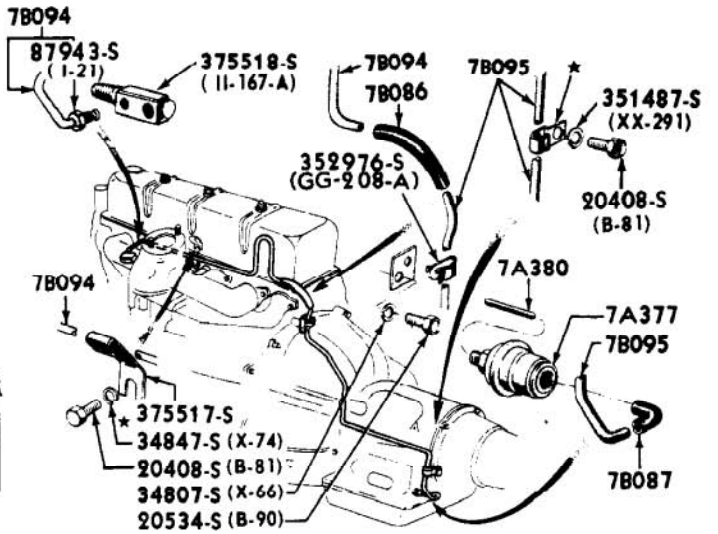
MasterCard

VISA

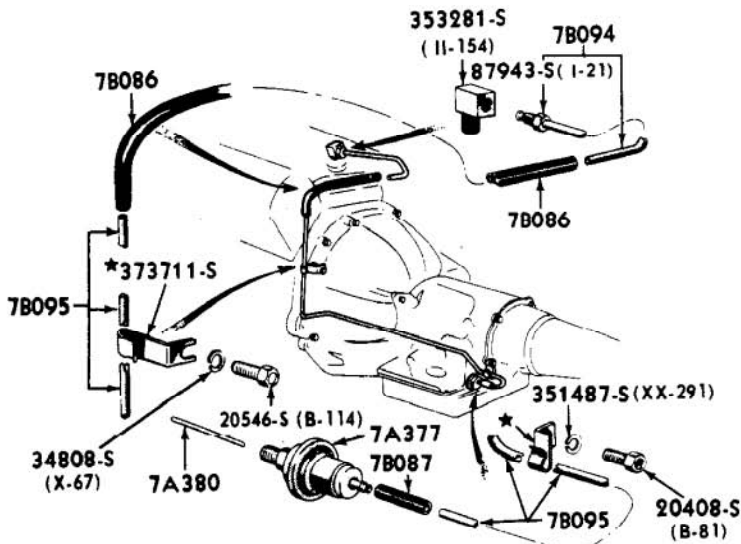
PHES AND RELATED PARTS - AIR CODITIONER COMPRESSOR
1965 / 72 - ALL - INTEGRAL A / C



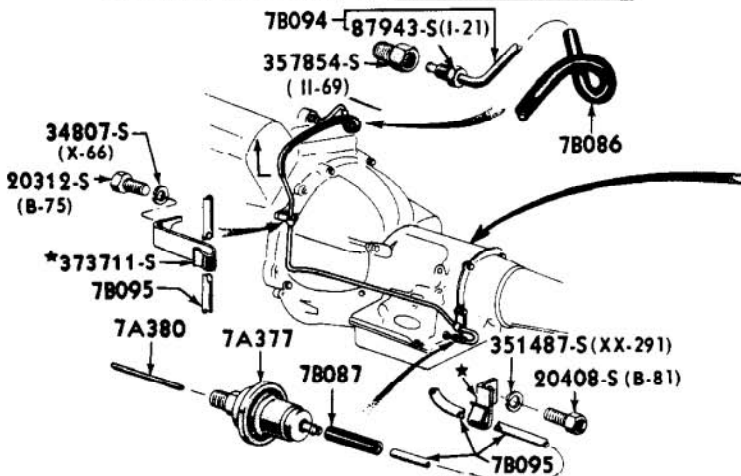
6 CYLINDER 200 & 250 ENGINES



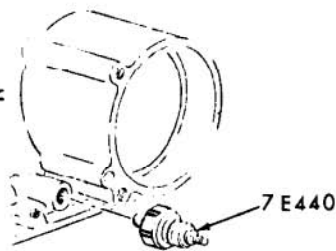
6 CYLINDER 240 ENGINE



8 CYLINDER 400, 429 & 460 ENGINES WITH C/M & C/6 TRANSMISSIONS



8 CYLINDER 302 & 351 ENGINES WITH C/M & C4 TRANSMISSIONS



C4 TRANS ONLY

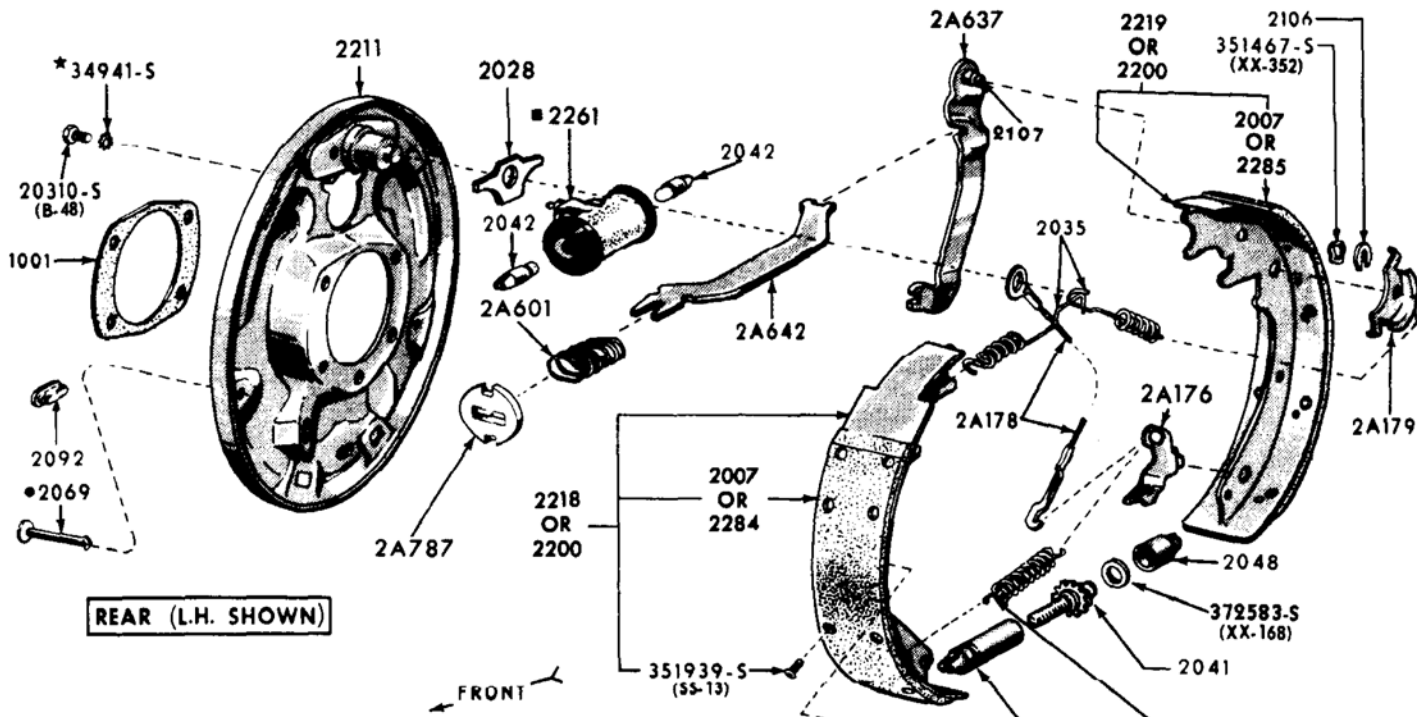


BUY IT NOW!

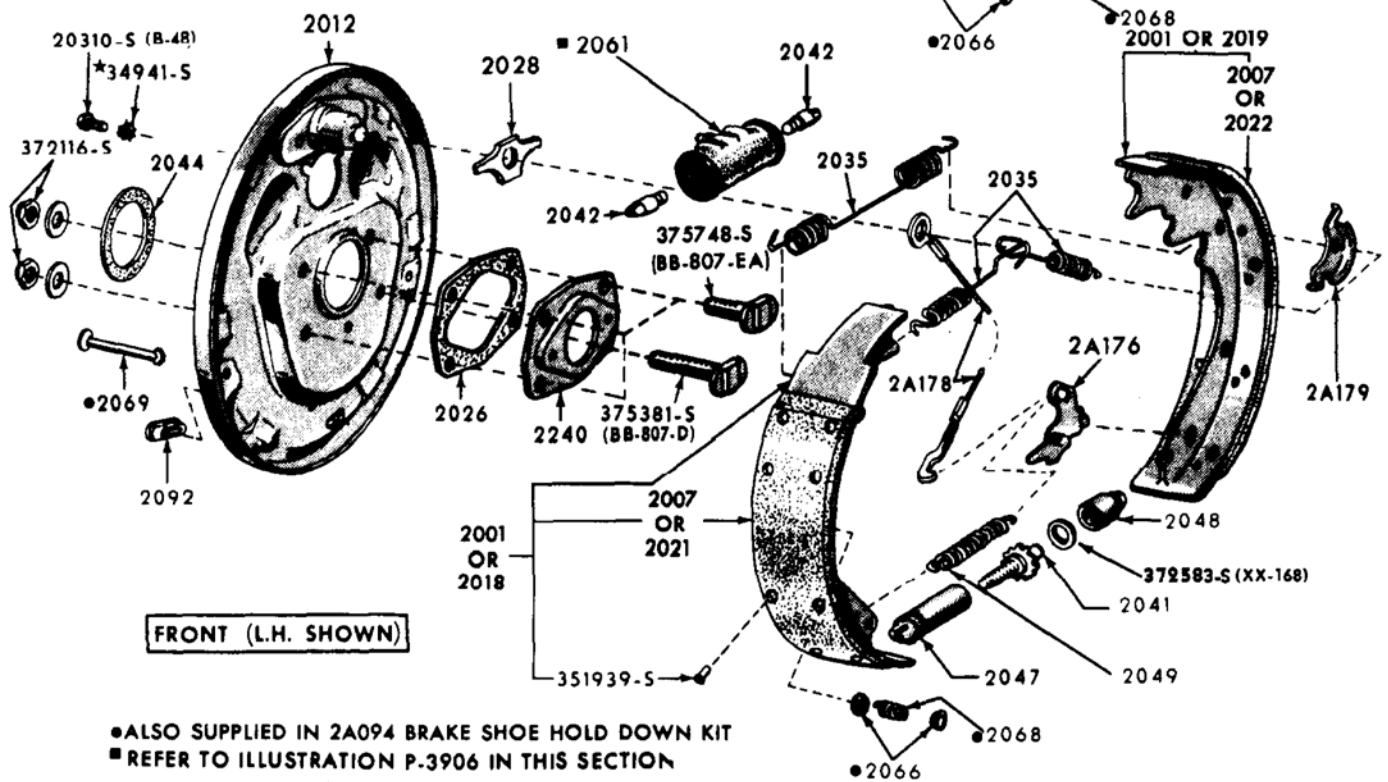
Click Here To Order

**ROTTLER VALVE, LINES & FITTINGS - TYPICAL
CORVETTE / TORINO, MUSTANG, THUNDERBIRD & FALCON**





REAR (L.H. SHOWN)



FRONT (L.H. SHOWN)

● ALSO SUPPLIED IN 2A094 BRAKE SHOE HOLD DOWN KIT
 ■ REFER TO ILLUSTRATION P.3906 IN THIS SECTION FOR DETAIL PARTS

100% SATISFACTION GUARANTEED

BUY IT NOW!

Click Here To Order

PayPal American Express Discover MasterCard VISA

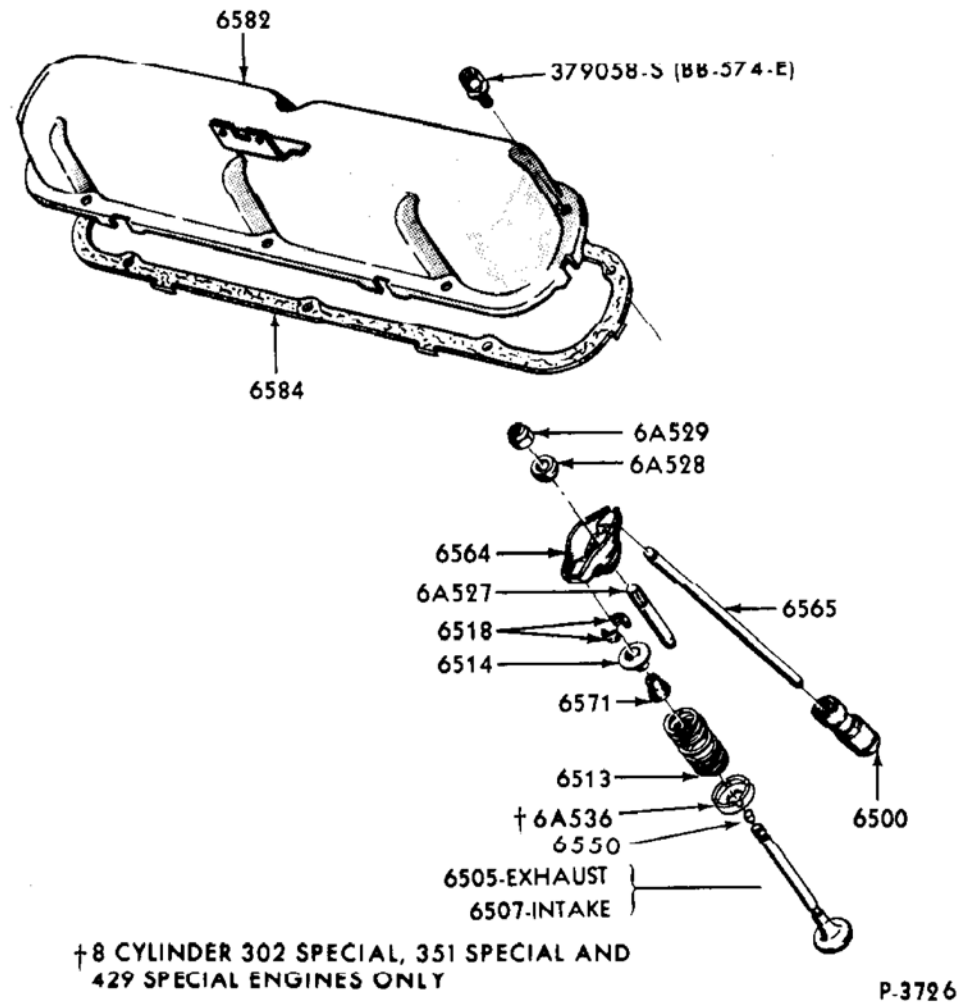
FRONT & REAR DRUM BRAKES
 1966 / 72 MUSTANG / FAIRLANE / TORINO
 1968 / 72 CON, 1970 / 72 MAVERICK, 1971 / 72 PINTO









100% SATISFACTION GUARANTEED
BUY IT NOW!
[Click Here To Order](#)



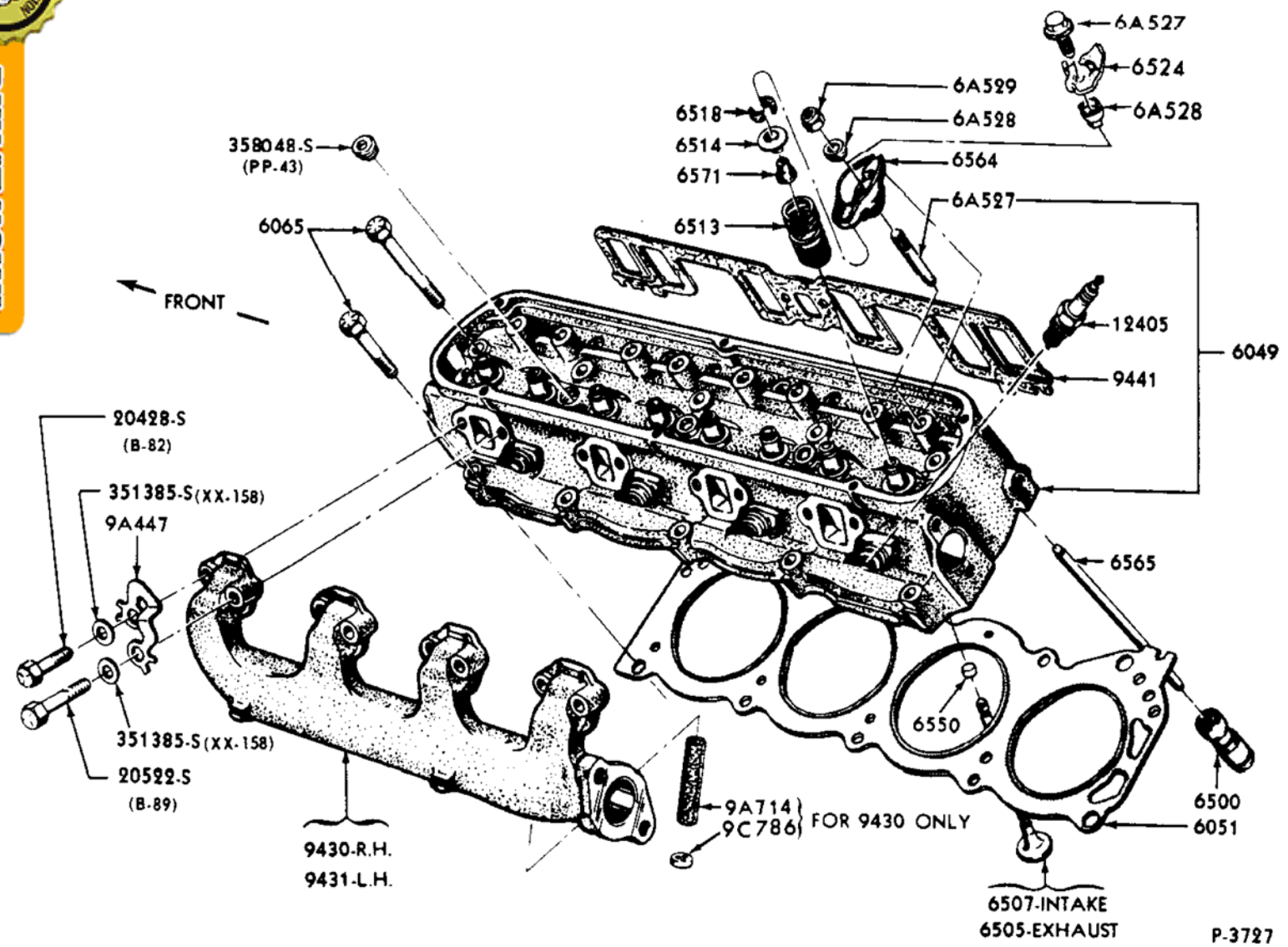
**ENGINE VALVES, PUSH RODS, ROCKER ARM COVER AND RELATED PARTS -- TYPICAL
 1965/72 6 CYLINDER 240 AND 8 CYLINDER 260, 289, 302, 351, 400, AND 420**







100% SATISFACTION GUARANTEED
BUY IT NOW!
 Click Here To Order



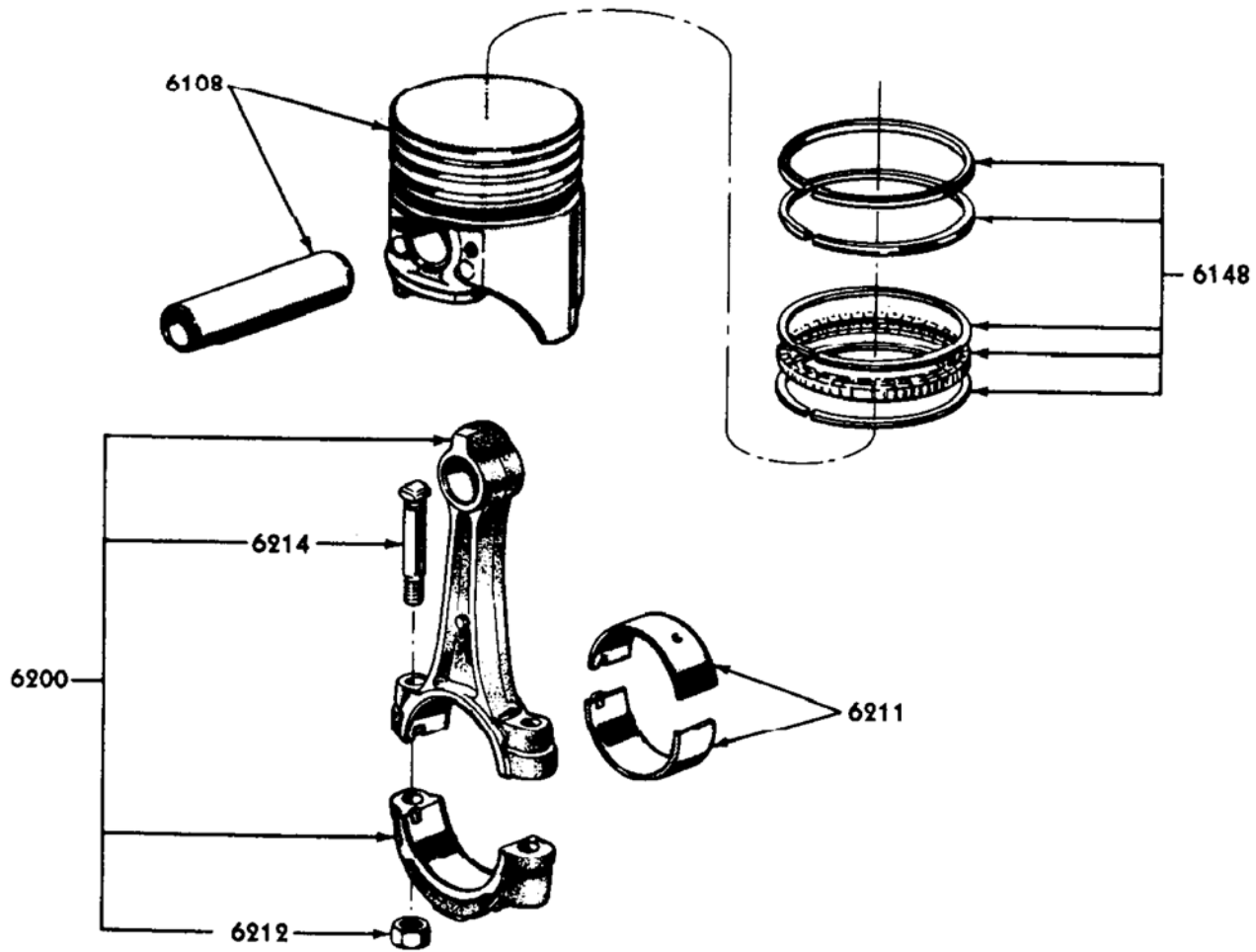
CYLINDER HEAD, VALVES AND RELATED PARTS
1965/72 8 CYLINDER 260, 289, 302, 351, 400, 429 AND 460 ENGINES -- TYPICAL







100% SATISFACTION GUARANTEED
BUY IT NOW!
 Click Here To Order



P- 3739

**ENGINE PISTON, CONNECTING ROD AND RELATED PARTS -- TYPICAL
 1965/72 6 CYLINDER 240 AND 8 CYLINDER 260, 289, 302, 351, 400, 429 AND 460**



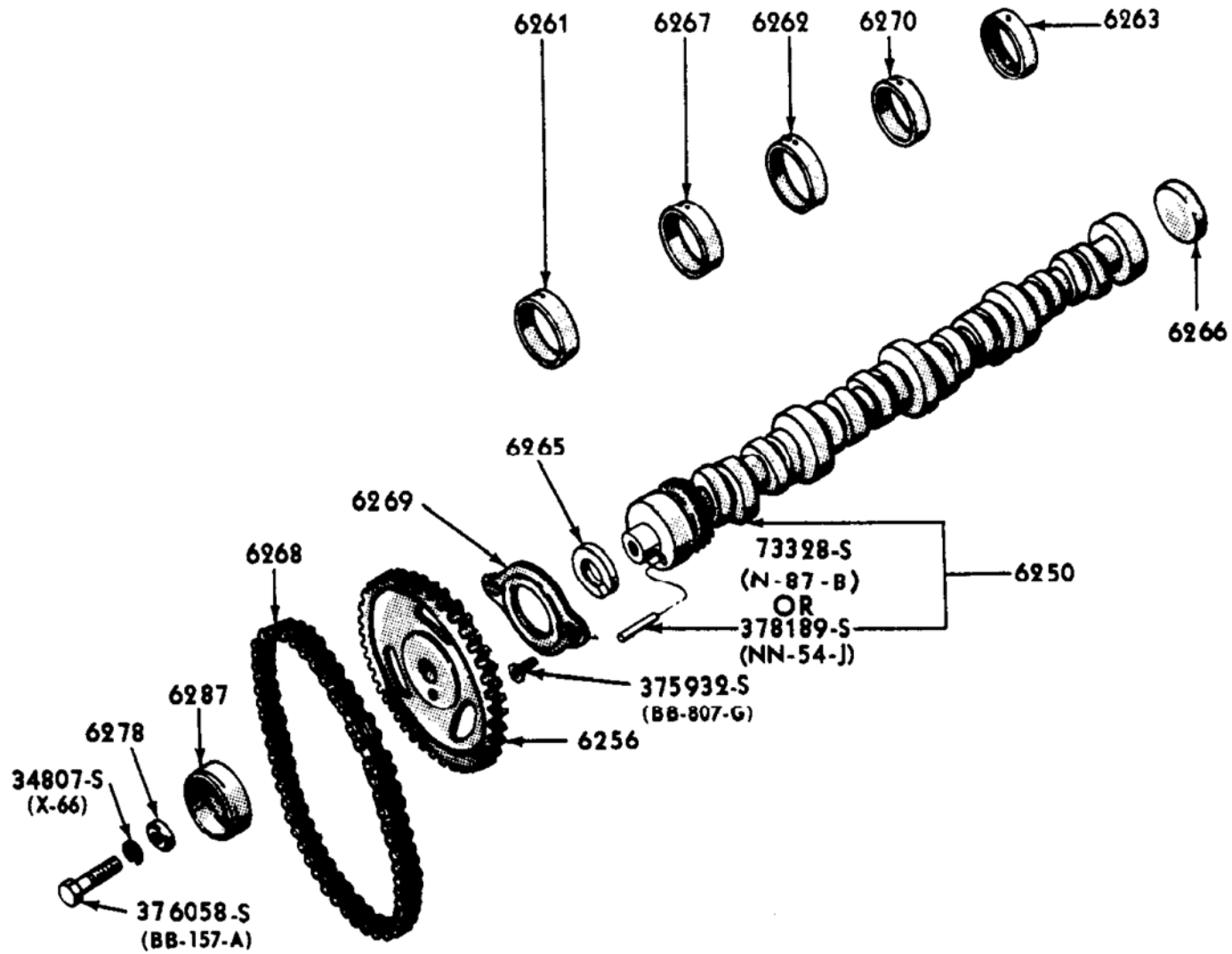




100% SATISFACTION GUARANTEED

BUY IT NOW!

Click Here To Order



P-3733

ENGINE CAMSHAFT, GEAR, BEARINGS AND RELATED PARTS -- TYPICAL
 1966 / 72 8 CYLINDER 260, 289, 302, 351, 400, 429 AND 460