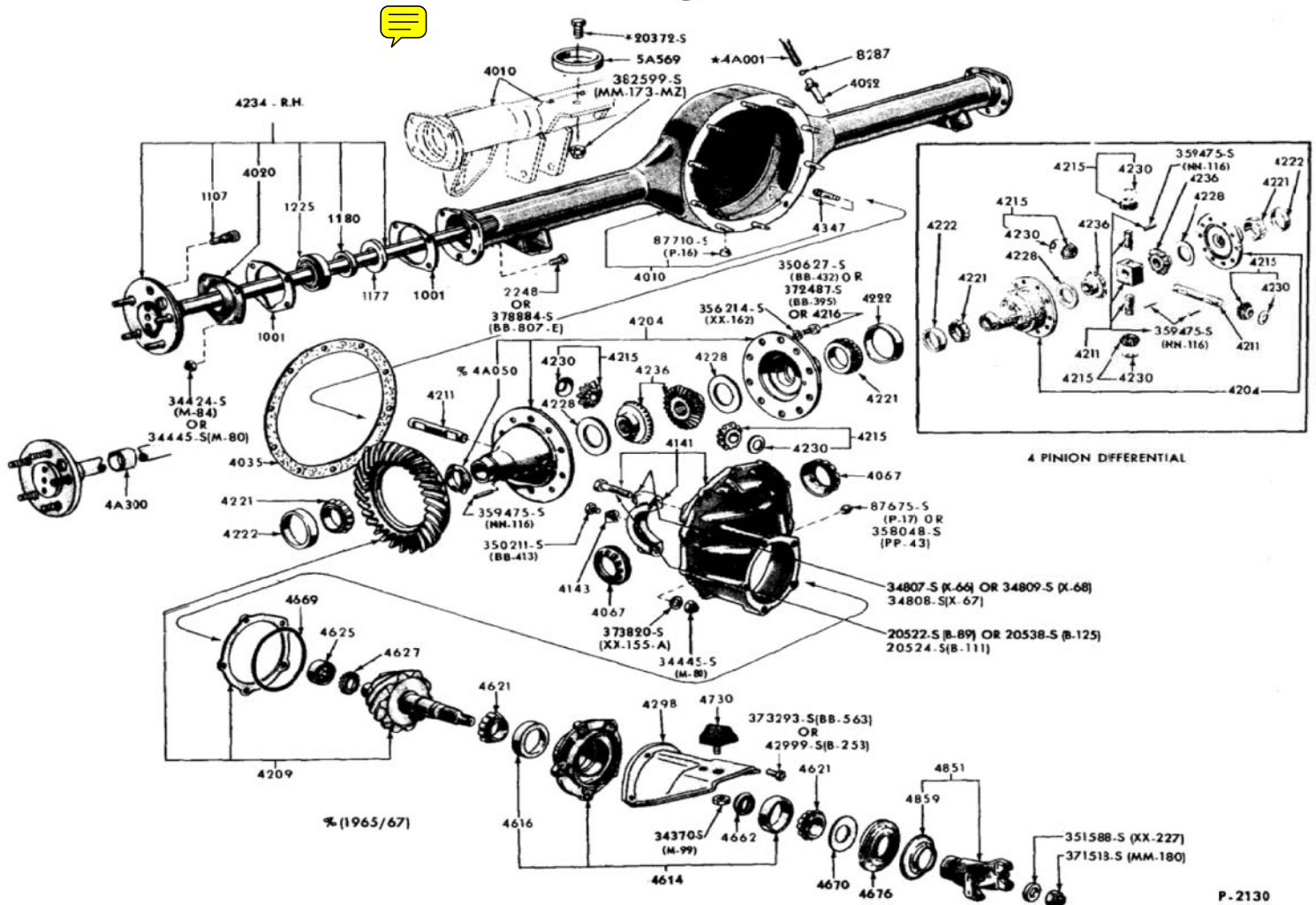


# 1969 Mustang

## Part & Body Illustrations

Includes Shelby GT 350 / 500



**100% SATISFACTION GUARANTEED**

**BUY IT NOW!**

**Click Here To Order**

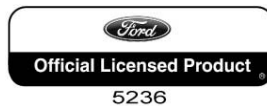
PayPal American Express Discover NetVISA MasterCard VISA

Copyright © 2009, Forel Publishing Company, LLC, Woodbridge, Virginia

All Rights Reserved. No part of this book may be used or reproduced in any manner whatsoever without written permission of Forel Publishing Company, LLC. For information write to Forel Publishing Company, LLC, 3999 Peregrine Ridge Ct., Woodbridge, VA 22192

1969 Mustang Part and Body Illustrations  
EAN: 978-1-60371-037-4  
ISBN: 1-60371-037-X

*Forel Publishing Company, LLC*  
*3999 Peregrine Ridge Ct.*  
*Woodbridge, VA 22192*  
*Email address: [webmaster@ForelPublishing.com](mailto:webmaster@ForelPublishing.com)*  
*Website: <http://www.ForelPublishing.com>*



This publication contains material that is reproduced and distributed under a license from Ford Motor Company. No further reproduction or distribution of the Ford Motor Company material is allowed without the express written permission of Ford Motor Company.

---

## Note from the Editor

This product was compiled using original Ford Motor Company publications. The contents of this product were extracted from: 1965/72 Ford Car Master Parts and Accessory Catalog (FP-7635- A and FP-7635- B).

---

## Disclaimer

Although every effort was made to ensure the accuracy of this book, no representations or warranties of any kind are made concerning the accuracy, completeness or suitability of the information, either expressed or implied. As a result, the information contained within this book should be used as general information only. The author and Forel Publishing Company, LLC shall have neither liability nor responsibility to any person or entity with respect to any loss or damage caused, or alleged to be caused, directly or indirectly by the information contained in this book. Further, the publisher and author are not engaged in rendering legal or other professional services. If legal, mechanical, electrical, or other expert assistance is required, the services of a competent professional should be sought.

---



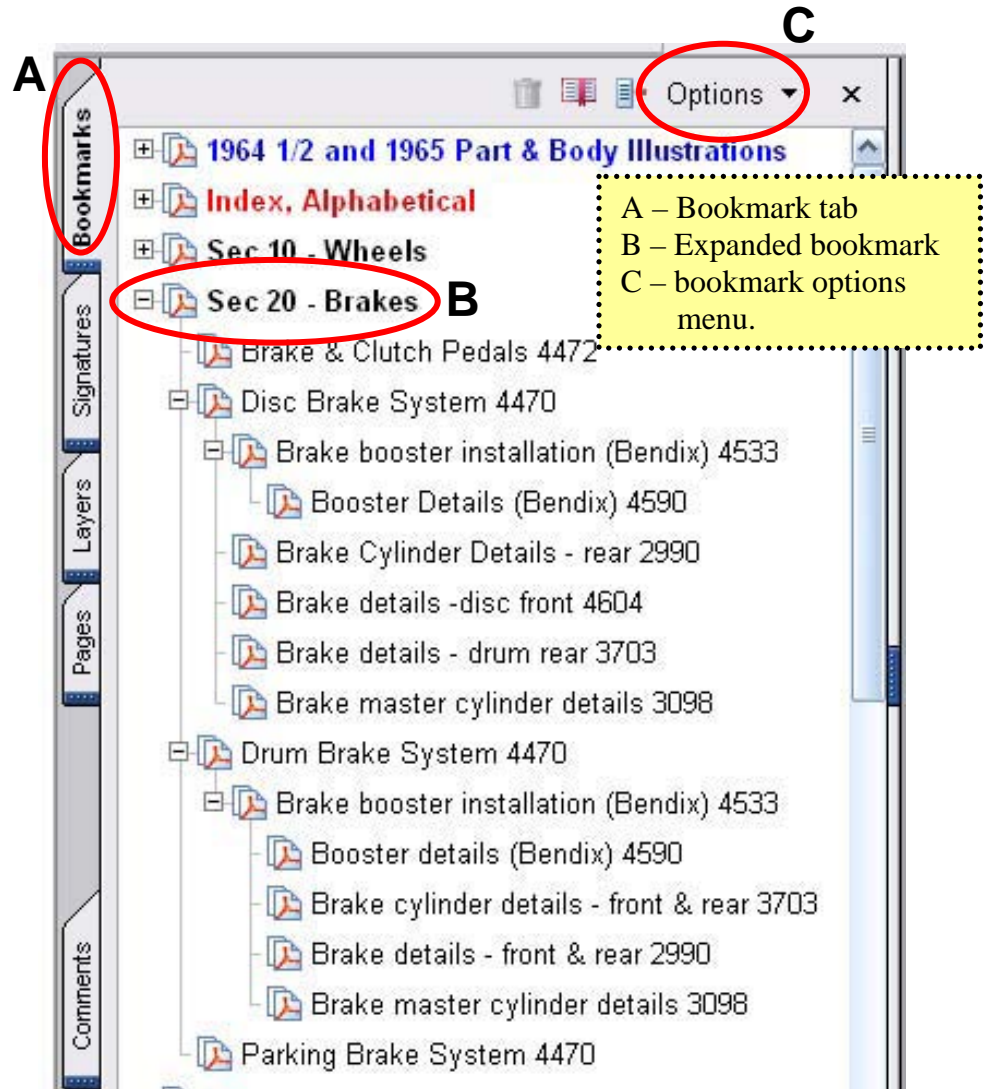
## Navigating with bookmarks

This manual is primarily organized using “bookmarks”. Bookmarks are found on the left side of the screen and allow the user to navigate directly to a specific location within the document.

To browse using a bookmark:

1. Click the Bookmarks tab on the left side of the window, or choose view>Navigation Tabs>Bookmarks to display bookmarks.
2. To jump to a topic using its bookmark, click the bookmark. Click the plus sign (+) next to a parent bookmark to expand it. Click the minus sign (-) next to a bookmark to hide its children.

Note: Clicking a bookmark might perform an action instead of taking you to another location. It depends on how the bookmark was defined. For example, a hyperlinked bookmark could take you to a website.



If the list of bookmarks disappears when you click a bookmark, click the Bookmarks tab to display the list again. If you want the Bookmarks tab to always remain open after you click a menu at the top of the Bookmarks panel, and make sure Hide After



## Basic Manual Organization

---

This manual is organized in three ways: **Illustration Number, Groupings by Sections** and **Alphabetical**.

### Illustration Number:

Each illustration has its own illustration number. For example, the illustration for Brake & Clutch Pedals is illustration number “P-4472” and the illustration for the Brake Cylinder Details is “P-2990”. The pages of this book are arranged in illustration number order. Therefore, illustration 4473 would follow 2990.

**Note:** Illustrations are in numerical, not alphabetical order.

### Groupings by Sections:

The grouping of diagrams by “section” is similar to how the Ford Motor Company originally organized its Master Parts and Accessories Catalog which contained both illustrations and part numbers to identify parts. For example, **Section 20 – Brakes** groups most brake related parts for this vehicle.

This manual uses bookmarks to follow that same organization and uses the same terms Ford used to identify the diagrams. In addition, the diagram number has been added to the end of the description. For example, **“Disc Brake System 4470”** is the basic name of the diagram and the diagram number is 4470. For the bookmarks and index’s in this manual, the “P-“ has been omitted.

#### Sec 20 - Brakes

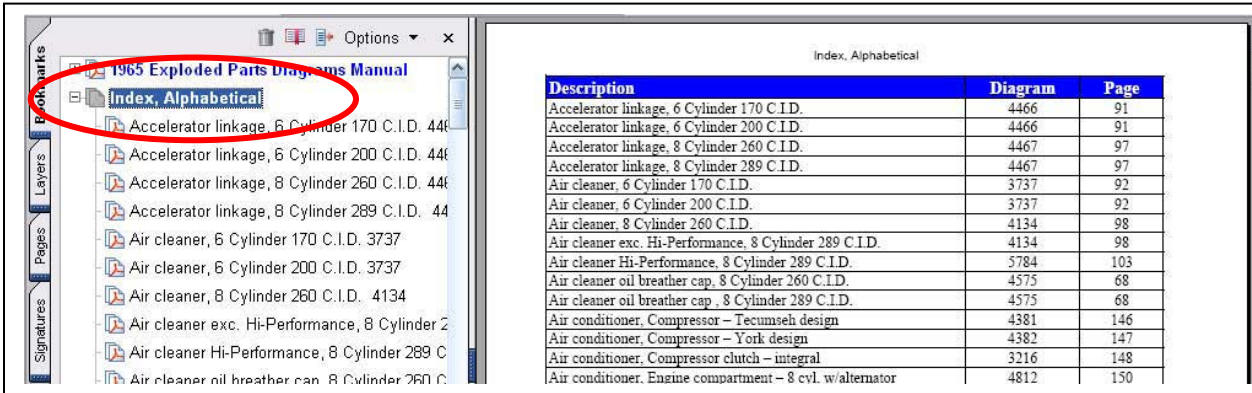
Brake & Clutch Pedals 4472  
Disc Brake System 4470  
    Brake booster installation (Bendix) 4533  
        Booster Details (Bendix) 4590  
Brake Cylinder Details - rear 2990  
Brake details -disc front 4604  
Brake details - drum rear 3703  
Brake master cylinder details 3098  
Drum Brake System 4470  
    Brake booster installation (Bendix) 4533  
        Booster details (Bendix) 4590  
    Brake cylinder details - front & rear 2990  
    Brake details - front & rear 2990  
    Brake master cylinder details 3098  
Parking Brake System 4470

The grouping of diagrams by number is useful in finding most diagrams related to a major group.



## Alphabetical:

The alphabetical listing is a simple alphabetized listing of all diagrams. In some cases, if the diagram contained more than one major component, the diagram may be identified more than once. Expand the “Index, Alphabetical” bookmark to view details. The associated page contains the description, diagram number and page number for easy reference.



The screenshot shows a software interface with a bookmarked index. The bookmarked index is titled "Index, Alphabetical" and is circled in red. The index lists various diagrams with their descriptions, diagram numbers, and page numbers. The table below is a reproduction of the data shown in the screenshot.

| Description                                               | Diagram | Page |
|-----------------------------------------------------------|---------|------|
| Accelerator linkage, 6 Cylinder 170 C.I.D.                | 4466    | 91   |
| Accelerator linkage, 6 Cylinder 200 C.I.D.                | 4466    | 91   |
| Accelerator linkage, 8 Cylinder 260 C.I.D.                | 4467    | 97   |
| Accelerator linkage, 8 Cylinder 289 C.I.D.                | 4467    | 97   |
| Air cleaner, 6 Cylinder 170 C.I.D.                        | 3737    | 92   |
| Air cleaner, 6 Cylinder 200 C.I.D.                        | 3737    | 92   |
| Air cleaner, 8 Cylinder 260 C.I.D.                        | 4134    | 98   |
| Air cleaner exc. Hi-Performance, 8 Cylinder 289 C.I.D.    | 4134    | 98   |
| Air cleaner Hi-Performance, 8 Cylinder 289 C.I.D.         | 5784    | 103  |
| Air cleaner oil breather cap, 8 Cylinder 260 C.I.D.       | 4575    | 68   |
| Air cleaner oil breather cap, 8 Cylinder 289 C.I.D.       | 4575    | 68   |
| Air conditioner, Compressor - Tecumseh design             | 4381    | 146  |
| Air conditioner, Compressor - York design                 | 4382    | 147  |
| Air conditioner, Compressor clutch - integral             | 3216    | 148  |
| Air conditioner, Engine compartment - 8 cyl. w/alternator | 4812    | 150  |

**Note:** Illustrations are in numerical, not alphabetical order.



Index, Numerical Order  
1969 Mustang Part and Body Illustrations

| Number | Description                                                                          | Page |
|--------|--------------------------------------------------------------------------------------|------|
| 1246   | Oil filters - cartridge type                                                         | 20   |
| 2130   | Rear Axle Non-Locking (separate carrier)                                             | 21   |
| 2384   | Oil filters - spin-on type                                                           | 22   |
| 2476   | Oil Pump - 390 CID Engine                                                            | 23   |
| 2485   | Valves, push rods, and rocker arm cover - 390 CID Engine                             | 24   |
| 2486   | Oil Filters - spin-on type and adapter                                               | 25   |
| 2487   | Piston and connecting rods - 390 CID Engine                                          | 26   |
| 2488   | Crankshaft and flywheel                                                              | 27   |
| 2881   | Cylinder Block, 8 Cyl., 352, 390, 427, 428 CID                                       | 28   |
| 2961   | Distributor (6 cylinder 200 engines)                                                 | 29   |
| 2962   | Water Pumps, 6 cyl. - 200, 250 engines                                               | 30   |
| 2963   | Oil pump, 6 Cylinder 200, 250 C.I.D.                                                 | 31   |
| 2964   | Camshaft, gear and bearings, 6 Cylinder 200, 250 C.I.D.                              | 32   |
| 2996   | Dome lamp                                                                            | 33   |
| 3088   | Cylinder block, 6 Cylinder 200, 250 C.I.D.                                           | 34   |
| 3089   | Valves, push rods and rocker arm cover, 6 Cylinder                                   | 35   |
| 3090   | Piston and connecting rod, 6 Cylinder 200, 250 C.I.D.                                | 36   |
| 3118   | Front and rear wheel, hub, & bearing                                                 | 37   |
| 3125   | Springs                                                                              | 38   |
| 3129   | Shock absorber - front                                                               | 39   |
| 3137   | Shock absorber - rear                                                                | 40   |
| 3144   | Drive Shaft                                                                          | 41   |
| 3191   | Starter and Drive Assy. – Positive Engagement                                        | 42   |
| 3216   | Air conditioner, Compressor clutch (integral)                                        | 43   |
| 3231   | Carburetor – Holley 4V, w/o external fuel transfer tube                              | 44   |
| 3306   | Fuel Pump - with 4V carb.                                                            | 45   |
| 3474   | Valve - exhaust thermostat control - arm type counterweight                          | 46   |
| 3627   | Transmission Automatic, Vacuum throttle valve, lines and fittings - typical          | 47   |
| 3703   | Brake details - drum rear                                                            | 48   |
| 3726   | Valves, push rods and rocker arm cover, 6 Cyl and 8 Cyl 260, 289,302,351,400,429,460 | 49   |
| 3727   | Cylinder head, valves, and related parts, 8 Cyl.                                     | 50   |
| 3732   | Piston and connecting rod, 6 Cyl and 8 Cyl 260, 289,302,351,400,429,460 C.I.D.       | 51   |
|        | and bearings, 8 Cylinder 289 C.I.D.                                                  | 52   |
|        | wheel, 8 Cylinder 289 C.I.D.                                                         | 53   |



**BUY IT NOW!**

**Click Here To Order**



Index, Numerical Order  
1969 Mustang Part and Body Illustrations

| Number | Description                                                                       | Page |
|--------|-----------------------------------------------------------------------------------|------|
| 3736   | Oil pump, 8 Cylinder 260, 289,302,351,400,429,460 C.I.D.                          | 54   |
| 3742   | Intake manifold & related parts, 8 Cylinder 289 CID Engine                        | 55   |
| 3906   | Brake Cylinder Details - front & rear                                             | 56   |
| 4012   | Transmission, Manual, 3 Speed manual trans 3.03 type                              | 57   |
| 4177   | Thermostatic choke control                                                        | 58   |
| 4180   | Cylinder Details                                                                  | 59   |
| 4326   | Transmission C4 Type, Case, converter assy., extension, pump - typical            | 60   |
| 4327   | Transmission C4 Type, Clutches, gears, shafts, rear support - typical             | 61   |
| 4328   | Transmission C4 Type, Servo and band, front - typical                             | 62   |
| 4329   | Transmission C4 Type, Servo and band, rear - typical                              | 63   |
| 4330   | Transmission C4 Type, Parking pawl, throttle and manual control linkage - typical | 64   |
| 4381   | Air conditioner, Compressor (Tecumseh design)                                     | 65   |
| 4382   | Air conditioner, Compressor ( York design)                                        | 66   |
| 4389   | Rocker arm cover type-open system, 6 Cylinder 200                                 | 67   |
| 4424   | Transmission, Manual, Ford 4 speed                                                | 68   |
| 4455   | Front seats – bucket - body types 63A, 65, and 76A                                | 69   |
| 4507   | Transmission C4 Type, Main control valve body assy. (Basic 7A100) - typical       | 70   |
| 4508   | Alternator (Ford 15 volt-38, 42, 45, 55, 60 amp)                                  | 71   |
| 4526   | Carburetor – Ford 2V, 8 Cylinder 289 C.I.D.                                       | 72   |
| 4575   | Air cleaner oil breather cap , Closed System                                      | 73   |
| 4592   | Emission Reduction System, rocker arm cover type-open system                      | 74   |
| 4728   | Carburetor – Ford Type, 6 Cylinder 200 C.I.D.                                     | 75   |
| 4735   | Courtesy lamp – quarter panel mounted                                             | 76   |
| 4862   | Transmission Automatic, bushings                                                  | 77   |
| 4878   | Camshaft, gear and bearings                                                       | 78   |
| 4885   | Front seat – full width                                                           | 79   |
| 4899   | Crankshaft and flywheel, 6 Cylinder 200, 250 C.I.D.                               | 80   |
| 4924   | Distributor (8 cylinder – with stamped weights)                                   | 81   |
| 5009   | Exhaust air supply pump                                                           | 82   |
| 5143   | Water Pumps, 8 cyl. - 289, 302, 351W engine (with cover)                          | 83   |
| 5155   | Seat belts - front and rear seats                                                 | 84   |
| 5172   | Transmission C6 Type, Case, converter assy., extension, pump - typical            | 85   |
|        | Transmission C4 Type, Clutches, gears, shafts - typical                           | 86   |
|        | Transmission C4 Type, Servo and band - typical                                    | 87   |
|        | Transmission C4 Type, Main control valve body assy. (Basic 7A100) - typical       | 88   |

**100% SATISFACTION GUARANTEED**

**BUY IT NOW!**

**Click Here To Order**

PayPal American Express Discover MasterCard VISA

Index, Numerical Order  
1969 Mustang Part and Body Illustrations

| Number | Description                                                                       | Page |
|--------|-----------------------------------------------------------------------------------|------|
| 5191   | Transmission C6 Type, Parking pawl, throttle and manual control linkage - typical | 89   |
| 5227   | Valve - exhaust thermostat control - wheel type counterweight                     | 90   |
| 5278   | Seat Belt Warning Lamp Installation                                               | 91   |
| 5302   | Rocker arm cover type - 4/B carb. Open system                                     | 92   |
| 5320   | Carburetor - Holley 4V                                                            | 93   |
| 5394   | Alternator (Ford 15 volt - 65 amp)                                                | 94   |
| 5457   | Carburetor - Ford 4V - without external accel pump                                | 95   |
| 5466   | Sheet Metal - under body 1967/70 body type 63, 1967/69 body type 65               | 96   |
| 5518   | Brake Master Cylinder details                                                     | 97   |
| 5525   | Voltage Regulator (Ford 15 volt, negative ground)                                 | 98   |
| 5526   | Starter Drive (Ford 12 volt - positive engagement)                                | 99   |
| 5600   | Shoulder Harness - front seat                                                     | 100  |
| 5614   | Speed Control - engine compartment                                                | 101  |
| 5615   | Steering, Power steering pump details                                             | 102  |
| 5625   | Engine Supports, 6 Cylinder 200 C.I.D. Engine                                     | 103  |
| 5626   | Engine Supports - 390 CID Engine                                                  | 104  |
| 5627   | Handles and latch parts (front door)                                              | 105  |
| 5633   | Thermostatic Choke Control                                                        | 106  |
| 5634   | Latch parts (Luggage Compartment)                                                 | 107  |
| 5741   | Alternator (Leece Neville 15 volt-53, 60, 65 amp)                                 | 108  |
| 5773   | Mirror - remote control                                                           | 109  |
| 5787   | Rear seat folding - body type 63                                                  | 110  |
| 5788   | Rear seat fixed - body type 63                                                    | 111  |
| 5796   | Rear Axle Equa Lock (integral carrier) and Non-Locking (integral carrier)         | 112  |
| 5801   | Air Conditioner - engine compartment - integral 8 cyl. 390, 428                   | 113  |
| 5825   | Distributor (6 Cylinder 250 Engine)                                               | 114  |
| 5952   | Starter and Solenoid (Ford 12 volt - positive engagement)                         | 115  |
| 5959   | Steering linkage, Manual                                                          | 116  |
| 6025   | Steering Wheel & Horn Ring                                                        | 117  |
| 6218   | Brake Details, disc front                                                         | 118  |
| 6221   | Air Cleaner - 6 Cylinder                                                          | 119  |
| 6223   | Air Cleaner - GT & GTA                                                            | 120  |
|        | Ram Air                                                                           | 121  |
|        | Brake Control System                                                              | 122  |
|        | Trax-Lok (Traction Lock)                                                          | 123  |



**BUY IT NOW!**

**Click Here To Order**



Index, Numerical Order  
1969 Mustang Part and Body Illustrations

| Number | Description                                                                            | Page |
|--------|----------------------------------------------------------------------------------------|------|
| 6462   | Transmission FMX type - Case, converter assy., extension, pump, rear support - typical | 124  |
| 6463   | Transmission FMX type - Clutches, gears, shafts, extension - typical                   | 125  |
| 6464   | Transmission FMX type - Servo and band, front - typical                                | 126  |
| 6465   | Transmission FMX type - Servo and band, rear - typical                                 | 127  |
| 6466   | Transmission FMX type - Main control valve body assy. (Basic 7A100) - typical          | 128  |
| 6470   | Transmission FMX type - Oil pressure regulator assy. (Basic 7A139) - typical           | 129  |
| 6471   | Transmission FMX type - Parking pawl, throttle and manual control linkage - typical    | 130  |
| 6472   | Transmission FMX type - Oil pressure tubes installation - typical                      | 131  |
| 6475   | Air Conditioner - engine compartment - integral 6 cyl. 200, 250                        | 132  |
| 6476   | Air Conditioner - engine compartment - integral, 8 cyl. 302, 351                       | 133  |
| 6492   | Water Pump - 8 cyl. 351C, 400, 429, 460 engines                                        | 134  |
| 6531   | Carburetor - Ford (6 cylinder 240, 250 Engines)                                        | 135  |
| 6540   | Stereo tape player - hang-on                                                           | 136  |
| 6612   | Exterior Moulding, side - except Shelby GT350 / 500                                    | 137  |
| 6613   | Exterior Moulding, back end - except Shelby GT350 / 500                                | 138  |
| 6619   | Air Cleaner - 8 cylinder - Ram Air - fixed type - Cobra Jet Engine                     | 139  |
| 6641   | Rear lamp, backup lamp, license plate & body side marker - except GT 350 / 500         | 140  |
| 6642   | Heater, Force Ventilation System                                                       | 141  |
| 6643   | Air Conditioner Controls - Integral                                                    | 142  |
| 6644   | Air Conditioner - passenger compartment - integral                                     | 143  |
| 6645   | Air Conditioner - vacuum hoses - integral                                              | 144  |
| 6645-B | Air Conditioner - vacuum hoses - integral                                              | 145  |
| 6650   | Hood - except Shelby GT350 / 500                                                       | 146  |
| 6657   | Instrument Panel, Wiring - except GT 350 / 500                                         | 147  |
| 6658   | Instrument Cluster and Related Parts                                                   | 148  |
| 6659   | Instrument Panel and related parts                                                     | 149  |
| 6664   | Bumper, front - except Shelby GT 350 / 500                                             | 150  |
| 6665   | Radiator Grille and related parts - except GT350 / 500                                 | 151  |
| 6666   | Fender and apron sheet metal - except Shelby GT350 / 500                               | 152  |
| 6669   | Headlamp, parking & front fender side marker, fog - except GT 350 / 500                | 153  |
| 6688   | Speed Control - passenger compartment                                                  | 154  |
|        | Speed Control - engine compartment                                                     | 155  |
|        | Speed Control - type 63 - upper body                                                   | 156  |
|        | Speed Control - type 63 - lower body                                                   | 157  |



**BUY IT NOW!**

**Click Here To Order**



Index, Numerical Order  
1969 Mustang Part and Body Illustrations

| Number | Description                                                         | Page |
|--------|---------------------------------------------------------------------|------|
| 6732   | Window parts - quarter window - body type 63                        | 158  |
| 6733   | Window parts - quarter window - body type 65, 76                    | 159  |
| 6737   | Console - except Shelby GT350/500                                   | 160  |
| 6738   | Luggage Carrier - luggage compartment mounted - removable           | 161  |
| 6740   | Windshield - body types 63, 65                                      | 162  |
| 6741   | Windshield - body types 76                                          | 163  |
| 6754   | Brake, Disc and Drum System                                         | 164  |
| 6755   | Brake, Parking Brake System                                         | 165  |
| 6756   | Clutch and Brake Pedals                                             | 166  |
| 6781   | Steering Column - floor shift - fixed wheel                         | 167  |
| 6782   | Steering Column - floor shift - tilt wheel                          | 168  |
| 6788   | Back Belt Mouldings - body type 76                                  | 169  |
| 6789   | Back Window - body type 63                                          | 170  |
| 6790   | Back Window - body type 65                                          | 171  |
| 6793   | Gear Shift Mechanism, Transmission, Manual, 4 speed                 | 172  |
| 6794   | Gear Shift Mechanism, Transmission, Manual, 3 speed                 | 173  |
| 6802   | Transmission Automatic, Shift control selector mechanism, Automatic | 174  |
| 6808   | Roof side mouldings and weatherstrips - body type 65                | 175  |
| 6809   | Headrest, Front Seat                                                | 176  |
| 6816   | Window parts - front door                                           | 177  |
| 6823   | Steering Wheel with rim blow horn, 3-spoke                          | 178  |
| 6845   | Interior Trim parts - body type 63 - w/fixed rear seat              | 179  |
| 6846   | Interior Trim parts - body type 65                                  | 180  |
| 6847   | Interior Trim parts - body type 76                                  | 181  |
| 6848   | Interior Trim parts - body type 63 - w/folding rear seat            | 182  |
| 6867   | Windshield Washer and wipers                                        | 183  |
| 6867-B | Windshield wiper and washer                                         | 184  |
| 6869   | Seat Belt and Parking Brake Warning Lamp Installation               | 185  |
| 6888   | Air Cleaner - 8 cylinder - Ram Air - shaker type - Cobra Jet Engine | 186  |
| 6889   | Air Cleaner - Cobra Jet - exc. Ram Air                              | 187  |
| 6895   | Convertible Top Electrical System                                   | 188  |
| 6896   | Accelerator Linkage - 6 Cylinder, 200, 250 CID Engines              | 189  |
|        |                                                                     | 190  |
|        |                                                                     | 191  |
|        | Steering Linkage                                                    | 192  |

**100% SATISFACTION GUARANTEED**

**BUY IT NOW!**

**Click Here To Order**

PayPal American Express Discover MasterCard VISA

Index, Numerical Order  
1969 Mustang Part and Body Illustrations

| Number | Description                                                             | Page |
|--------|-------------------------------------------------------------------------|------|
| 6918   | Hood - Shelby GT350 / 500                                               | 193  |
| 6919   | Headlamp, parking & front fender side marker, fog - GT 350 / 500        | 194  |
| 6920   | Fender and apron sheet metal - Shelby GT350 / 500                       | 195  |
| 6921-A | Bumper, front - Shelby GT 350 / 500                                     | 196  |
| 6921-B | Radiator Grille and related parts - GT350 / 500                         | 197  |
| 6922-A | Rear lamp, backup lamp, license plate & body side marker - GT 350 / 500 | 198  |
| 6922-B | Exterior Moulding, back end - Shelby GT350 / 500                        | 199  |
| 6923   | Exterior Moulding, side - Shelby GT350 / 500                            | 200  |
| 6926   | Instrument Panel, Wiring - GT 350 / 500                                 | 201  |
| 6927   | Suspension, Front                                                       | 202  |
| 6939   | Roll Bar parts - Shelby GT350/500                                       | 203  |
| 6946   | Steering, Power Steering Pump Installation, 6 cyl engines               | 204  |
| 6947   | Steering, Power Steering Pump Installation, 6 cyl engines               | 205  |
| 6949   | Console - Shelby GT350/500                                              | 206  |
| 6964   | Turn indicator - hood mounted                                           | 207  |
| 6971   | Courtesy Lamp - door mounted                                            | 208  |
| 6977   | Ventilating Ducts                                                       | 209  |
| 6980   | Hinges - front door upper                                               | 210  |
| 6981   | Hinges - front door lower                                               | 211  |
| 6984   | Engine Oil Cooler System                                                | 212  |
| 6897-A | Folding Top Parts - less trim - body type 76                            | 213  |
| 6897-B | Folding Top Parts - less trim - body type 76 (continued)                | 214  |
| 6996   | Wiring System - Typical - Page A                                        | 215  |
| 7026   | Wiring System - Typical - Page B                                        | 216  |
| 7032   | Rear Window Defogger                                                    | 217  |
| 7040   | Courtesy Lamp - pillar mounted                                          | 218  |
| 7041   | Transmission Oil cooling system, automatic - typical                    | 219  |
| 7063   | Jack and Spare Wheel Parts                                              | 220  |
| 7078   | AM Stereo Tape Player, AM/FM Multiplex Radio with speakers - integral   | 221  |
| 7104   | Roof side mouldings and weatherstrips - body type 63                    | 222  |
| 7271   | Sheet Metal - body type 65 - under body                                 | 223  |
| 7272   | Sheet Metal - body type 76 - under body                                 | 224  |
|        | Sheet Metal - body type 65 - upper body                                 | 225  |
|        | Sheet Metal - body type 76 - upper body                                 | 226  |
|        | Sheet Metal - body type 63 - front fender patch                         | 227  |

**SATISFACTION 100% GUARANTEED**

**BUY IT NOW!**

**Click Here To Order**

PayPal American Express Discover MasterCard VISA

Index, Numerical Order  
1969 Mustang Part and Body Illustrations

| Number | Description                                                             | Page |
|--------|-------------------------------------------------------------------------|------|
| 7412   | Louvers - back window - body type 63                                    | 228  |
| 7428   | Luggage Compartment trim                                                | 229  |
| 7454   | Control Valve Details - 6 cyl.                                          | 230  |
| 7460   | Carburetor – Holley Type, 6 Cylinder 200 C.I.D.                         | 231  |
| 7589   | Engine Governor Transistorized - 302, 428, 429 CJ & SCJ                 | 232  |
| 7662   | Instrument panel pad and attaching parts                                | 233  |
| 7741   | Air Conditioner - engine compartment - integral 6 cyl. 200, 250 CID     | 234  |
| 8301   | Air Conditioner - passenger compartment - integral                      | 235  |
| 8322   | Intake Manifold - 8 cyl. 429 CID                                        | 236  |
| 8369   | Cylinder Block - external (Windsor)                                     | 237  |
| 8370   | Cylinder Block - internal (Windsor)                                     | 238  |
| 8371   | Engine Assembly - 390 CID                                               | 239  |
| 8372   | Engine Assembly - 351 CID                                               | 240  |
| 8398   | Engine assembly, 6 Cylinder 200, 250 C.I.D.                             | 241  |
| 8403   | Engine Assembly - 8 cylinder 429, 460 CID                               | 242  |
| 8408   | Rocker arm cover type-closed system, 6 Cylinder 200, 250                | 243  |
| 8503   | Air Conditioner - passenger compartment - Hang-on - Slimline            | 244  |
| 8523   | Thermactor Emission Control System - 8 Cyl. "Boss 302" Engine           | 245  |
| 8524   | Thermactor Emission Control System - 8 Cyl. 429 Engine                  | 246  |
| 9198   | Water Pump - 8 cyl 390, 428 CID Engine                                  | 247  |
| 9859   | Steering Gear Details                                                   | 248  |
| 10483  | Exhaust Manifold Heat Tube Installation                                 | 249  |
| 10675  | Auxiliary air spring installation                                       | 250  |
| 11434  | Windshield wiper - wiper motor (2 speed Ford electric)                  | 251  |
| 11536  | Child safety seat                                                       | 252  |
| EA-1   | Exhaust System, Single - 200-1B, 250-1B                                 | 253  |
| EA-12  | Exhaust System, 302-2B, single exhaust                                  | 254  |
| EA-13  | Exhaust System, 351-2B, single exhaust                                  | 255  |
| EA-14  | Exhaust System, 302-2B, w/dual exhaust kit, 302-4B Boss                 | 256  |
| EA-15  | Exhaust System, 428-4B (except Shelby GT 500), dual exhaust             | 257  |
| EA-16  | Exhaust System, 429-4B, Boss, dual exhaust                              | 258  |
| EA-17  | Exhaust System, 390-4B, 351-4B (except Shelby GT 500), dual exhaust kit | 259  |
|        | 351-4B, Shelby GT 500, dual exhaust                                     | 260  |
|        | 428-4B, Shelby GT 500, dual exhaust                                     | 261  |

**SATISFACTION 100% GUARANTEED**

**BUY IT NOW!**

**Click Here To Order**

PayPal American Express Discover MasterCard VISA

Index, Alphabetical Order  
1969 Mustang Part and Body Illustrations

| Description                                                           | Number | Page |
|-----------------------------------------------------------------------|--------|------|
| Accelerator Linkage                                                   | 6897   | 190  |
| Accelerator Linkage - 6 Cylinder, 200, 250 CID Engines                | 6896   | 189  |
| Air Cleaner - 6 Cylinder                                              | 6221   | 119  |
| Air Cleaner - 8 cylinder - Ram Air - fixed type - Cobra Jet Engine    | 6619   | 139  |
| Air Cleaner - 8 cylinder - Ram Air - shaker type - Cobra Jet Engine   | 6888   | 186  |
| Air Cleaner - Cobra Jet - exc. Ram Air                                | 6889   | 187  |
| Air Cleaner - exc. Ram Air                                            | 6224   | 121  |
| Air Cleaner - GT & GTA                                                | 6223   | 120  |
| Air cleaner oil breather cap , Closed System                          | 4575   | 73   |
| Air Conditioner - engine compartment - integral 6 cyl. 200, 250       | 6475   | 132  |
| Air Conditioner - engine compartment - integral 6 cyl. 200, 250 CID   | 7741   | 234  |
| Air Conditioner - engine compartment - integral 8 cyl. 390, 428       | 5801   | 113  |
| Air Conditioner - engine compartment - integral, 8 cyl. 302, 351      | 6476   | 133  |
| Air Conditioner - passenger compartment - Hang-on - Slimline          | 8503   | 244  |
| Air Conditioner - passenger compartment - integral                    | 6644   | 143  |
| Air Conditioner - passenger compartment - integral                    | 8301   | 235  |
| Air Conditioner - vacuum hoses - integral                             | 6645   | 144  |
| Air Conditioner - vacuum hoses - integral                             | 6645-B | 145  |
| Air Conditioner Controls - Integral                                   | 6643   | 142  |
| Air conditioner, Compressor ( York design)                            | 4382   | 66   |
| Air conditioner, Compressor (Tecumseh design)                         | 4381   | 65   |
| Air conditioner, Compressor clutch (integral)                         | 3216   | 43   |
| Alternator (Ford 15 volt - 65 amp)                                    | 5394   | 94   |
| Alternator (Ford 15 volt-38, 42, 45, 55, 60 amp)                      | 4508   | 71   |
| Alternator (Leece Neville 15 volt-53, 60, 65 amp)                     | 5741   | 108  |
| AM Stereo Tape Player, AM/FM Multiplex Radio with speakers - integral | 7078   | 221  |
| Auxiliary air spring installation                                     | 10675  | 250  |
| Back Belt Mouldings - body type 76                                    | 6788   | 169  |
| Back Window - body type 63                                            | 6789   | 170  |
| Back Window - body type 65                                            | 6790   | 171  |
| Brake Cylinder Details - front & rear                                 | 3906   | 56   |
| Brake details - drum rear                                             | 3703   | 48   |
|                                                                       | 6218   | 118  |
|                                                                       | 5518   | 97   |
|                                                                       | 6754   | 164  |

**100% SATISFACTION GUARANTEED**

**BUY IT NOW!**

**Click Here To Order**

PayPal American Express Discover MasterCard VISA

Index, Alphabetical Order  
1969 Mustang Part and Body Illustrations

| Description                                             | Number | Page |
|---------------------------------------------------------|--------|------|
| Brake, Parking Brake System                             | 6755   | 165  |
| Bumper, front - except Shelby GT 350 / 500              | 6664   | 150  |
| Bumper, front - Shelby GT 350 / 500                     | 6921-A | 196  |
| Bumper, rear                                            | 6731   | 157  |
| Camshaft, gear and bearings                             | 4878   | 78   |
| Camshaft, gear and bearings, 6 Cylinder 200, 250 C.I.D. | 2964   | 32   |
| Camshaft, gear and bearings, 8 Cylinder 289 C.I.D.      | 3733   | 52   |
| Carburetor - Ford (6 cylinder 240, 250 Engines)         | 6531   | 135  |
| Carburetor - Ford 2V, 8 Cylinder 289 C.I.D.             | 4526   | 72   |
| Carburetor - Ford 4V - without external accel pump      | 5457   | 95   |
| Carburetor - Ford Type, 6 Cylinder 200 C.I.D.           | 4728   | 75   |
| Carburetor - Holley 4V                                  | 5320   | 93   |
| Carburetor - Holley 4V, w/o external fuel transfer tube | 3231   | 44   |
| Carburetor - Holley Type, 6 Cylinder 200 C.I.D.         | 7460   | 231  |
| Child safety seat                                       | 11536  | 252  |
| Clutch and Brake Pedals                                 | 6756   | 166  |
| Console - except Shelby GT350/500                       | 6737   | 160  |
| Console - Shelby GT350/500                              | 6949   | 206  |
| Control Valve Details - 6 cyl.                          | 7454   | 230  |
| Convertible Top Electrical System                       | 6895   | 188  |
| Courtesy Lamp - door mounted                            | 6971   | 208  |
| Courtesy Lamp - pillar mounted                          | 7040   | 218  |
| Courtesy lamp - quarter panel mounted                   | 4735   | 76   |
| Crankshaft and flywheel                                 | 2488   | 27   |
| Crankshaft and flywheel, 6 Cylinder 200, 250 C.I.D.     | 4899   | 80   |
| Crankshaft and flywheel, 8 Cylinder 289 C.I.D.          | 3734   | 53   |
| Cylinder Block - external (Windsor)                     | 8369   | 237  |
| Cylinder Block - internal (Windsor)                     | 8370   | 238  |
| Cylinder block, 6 Cylinder 200, 250 C.I.D.              | 3088   | 34   |
| Cylinder Block, 8 Cyl., 352, 390, 427, 428 CID          | 2881   | 28   |
| Cylinder Details                                        | 4180   | 59   |
| Cylinder head, valves, and related parts, 8 Cyl.        | 3727   | 50   |
| ...                                                     | 2961   | 29   |
| ...                                                     | 5825   | 114  |
| ... (pumped weights)                                    | 4924   | 81   |

**100% SATISFACTION GUARANTEED**

**BUY IT NOW!**

**Click Here To Order**

PayPal American Express Discover MasterCard VISA

Index, Alphabetical Order  
1969 Mustang Part and Body Illustrations

| Description                                                             | Number | Page |
|-------------------------------------------------------------------------|--------|------|
| Dome lamp                                                               | 2996   | 33   |
| Drive Shaft                                                             | 3144   | 41   |
| Emission Reduction System, rocker arm cover type-open system            | 4592   | 74   |
| Engine Assembly - 351 CID                                               | 8372   | 240  |
| Engine Assembly - 390 CID                                               | 8371   | 239  |
| Engine Assembly - 8 cylinder 429, 460 CID                               | 8403   | 242  |
| Engine assembly, 6 Cylinder 200, 250 C.I.D.                             | 8398   | 241  |
| Engine Governor Transistorized - 302, 428, 429 CJ & SCJ                 | 7589   | 232  |
| Engine Oil Cooler System                                                | 6984   | 212  |
| Engine Supports - 390 CID Engine                                        | 5626   | 104  |
| Engine Supports, 6 Cylinder 200 C.I.D. Engine                           | 5625   | 103  |
| Exhaust air supply pump                                                 | 5009   | 82   |
| Exhaust Manifold Heat Tube Installation                                 | 10483  | 249  |
| Exhaust System, 302-2B, single exhaust                                  | EA-12  | 254  |
| Exhaust System, 302-2B, w/dual exhaust kit, 302-4B Boss                 | EA-14  | 256  |
| Exhaust System, 351-2B, single exhaust                                  | EA-13  | 255  |
| Exhaust System, 351-4B, Shelby GT 500, dual exhaust                     | EA-53  | 260  |
| Exhaust System, 390-4B, 351-4B (except Shelby GT 500), dual exhaust kit | EA-17  | 259  |
| Exhaust System, 428-4B (except Shelby GT 500), dual exhaust             | EA-15  | 257  |
| Exhaust System, 428-4B, Shelby GT 500, dual exhaust                     | EA-54  | 261  |
| Exhaust System, 429-4B, Boss, dual exhaust                              | EA-16  | 258  |
| Exhaust System, Single - 200-1B, 250-1B                                 | EA-1   | 253  |
| Exterior Moulding, back end - except Shelby GT350 / 500                 | 6613   | 138  |
| Exterior Moulding, back end - Shelby GT350 / 500                        | 6922-B | 199  |
| Exterior Moulding, side - except Shelby GT350 / 500                     | 6612   | 137  |
| Exterior Moulding, side - Shelby GT350 / 500                            | 6923   | 200  |
| Fender and apron sheet metal - except Shelby GT350 / 500                | 6666   | 152  |
| Fender and apron sheet metal - Shelby GT350 / 500                       | 6920   | 195  |
| Folding Top Parts - less trim - body type 76                            | 6897-A | 213  |
| Folding Top Parts - less trim - body type 76 (continued)                | 6897-B | 214  |
| Front and rear wheel, hub, & bearing                                    | 3118   | 37   |
| Front seat – full width                                                 | 4885   | 79   |
| Front seat – full width                                                 | 7296   | 227  |
| Front seat – full width                                                 | 4455   | 69   |
| Front seat – full width                                                 | 3306   | 45   |

Index, Alphabetical Order  
1969 Mustang Part and Body Illustrations

| Description                                                             | Number | Page |
|-------------------------------------------------------------------------|--------|------|
| Fuel System                                                             | 6903   | 191  |
| Gear Shift Mechanism, Transmission, Manual, 3 speed                     | 6794   | 173  |
| Gear Shift Mechanism, Transmission, Manual, 4 speed                     | 6793   | 172  |
| Handles and latch parts (front door)                                    | 5627   | 105  |
| Headlamp, parking & front fender side marker, fog - except GT 350 / 500 | 6669   | 153  |
| Headlamp, parking & front fender side marker, fog - GT 350 / 500        | 6919   | 194  |
| Headrest, Front Seat                                                    | 6809   | 176  |
| Heater, Force Ventilation System                                        | 6642   | 141  |
| Hinges – front door lower                                               | 6981   | 211  |
| Hinges - front door upper                                               | 6980   | 210  |
| Hood - except Shelby GT350 / 500                                        | 6650   | 146  |
| Hood - Shelby GT350 / 500                                               | 6918   | 193  |
| Instrument Cluster and Related Parts                                    | 6658   | 148  |
| Instrument Panel and related parts                                      | 6659   | 149  |
| Instrument panel pad and attaching parts                                | 7662   | 233  |
| Instrument Panel, Wiring - except GT 350 / 500                          | 6657   | 147  |
| Instrument Panel, Wiring - GT 350 / 500                                 | 6926   | 201  |
| Intake Manifold - 8 cyl. 429 CID                                        | 8322   | 236  |
| Intake manifold & related parts, 8 Cylinder 289 CID Engine              | 3742   | 55   |
| Interior Trim parts - body type 63 - w/fixed rear seat                  | 6845   | 179  |
| Interior Trim parts - body type 63 - w/folding rear seat                | 6848   | 182  |
| Interior Trim parts - body type 65                                      | 6846   | 180  |
| Interior Trim parts - body type 76                                      | 6847   | 181  |
| Jack and Spare Wheel Parts                                              | 7063   | 220  |
| Latch parts (Luggage Compartment)                                       | 5634   | 107  |
| Louvers - back window - body type 63                                    | 7412   | 228  |
| Luggage Carrier - luggage compartment mounted - removable               | 6738   | 161  |
| Luggage Compartment trim                                                | 7428   | 229  |
| Mirror - remote control                                                 | 5773   | 109  |
| Oil filters - cartridge type                                            | 1246   | 20   |
| Oil filters - spin-on type                                              | 2384   | 22   |
| Oil Filters - spin-on type and adapter                                  | 2486   | 25   |
| Oil Filters - spin-on type                                              | 2476   | 23   |
| Oil Filters - spin-on type                                              | 2963   | 31   |
| Oil Filters - spin-on type                                              | 3736   | 54   |

**100% SATISFACTION GUARANTEED**

**BUY IT NOW!**

**Click Here To Order**

PayPal American Express Discover MasterCard VISA

Index, Alphabetical Order  
1969 Mustang Part and Body Illustrations

| Description                                                                    | Number | Page |
|--------------------------------------------------------------------------------|--------|------|
| Piston and connecting rod, 6 Cyl and 8 Cyl 260, 289,302,351,400,429,460 C.I.D. | 3732   | 51   |
| Piston and connecting rod, 6 Cylinder 200, 250 C.I.D.                          | 3090   | 36   |
| Piston and connecting rods - 390 CID Engine                                    | 2487   | 26   |
| Radiator Grille and related parts - except GT350 / 500                         | 6665   | 151  |
| Radiator Grille and related parts - GT350 / 500                                | 6921-B | 197  |
| Rear Axle Equa Lock (integral carrier) and Non-Locking (integral carrier)      | 5796   | 112  |
| Rear Axle Non-Locking (separate carrier)                                       | 2130   | 21   |
| Rear Axle, Locking (Traction Lock)                                             | 6459   | 123  |
| Rear lamp, backup lamp, license plate & body side marker - except GT 350 / 500 | 6641   | 140  |
| Rear lamp, backup lamp, license plate & body side marker - GT 350 / 500        | 6922-A | 198  |
| Rear seat fixed - body type 63                                                 | 5788   | 111  |
| Rear seat folding - body type 63                                               | 5787   | 110  |
| Rear Window Defogger                                                           | 7032   | 217  |
| Rocker arm cover type - 4/B carb. Open system                                  | 5302   | 92   |
| Rocker arm cover type-closed system, 6 Cylinder 200, 250                       | 8408   | 243  |
| Rocker arm cover type-open system, 6 Cylinder 200                              | 4389   | 67   |
| Roll Bar parts - Shelby GT350/500                                              | 6939   | 203  |
| Roof side mouldings and weatherstrips - body type 63                           | 7104   | 222  |
| Roof side mouldings and weatherstrips - body type 65                           | 6808   | 175  |
| Seat Belt and Parking Brake Warning Lamp Installation                          | 6869   | 185  |
| Seat Belt Warning Lamp Installation                                            | 5278   | 91   |
| Seat belts - front and rear seats                                              | 5155   | 84   |
| Sheet Metal - body type 63 - upper body                                        | 6716   | 156  |
| Sheet Metal - body type 65 - under body                                        | 7271   | 223  |
| Sheet Metal - body type 65 - upper body                                        | 7273   | 225  |
| Sheet Metal - body type 76 - under body                                        | 7272   | 224  |
| Sheet Metal - body type 76 - upper body                                        | 7275   | 226  |
| Sheet Metal - under body 1967/70 body type 63, 1967/69 body type 65            | 5466   | 96   |
| Shock absorber - front                                                         | 3129   | 39   |
| Shock absorber - rear                                                          | 3137   | 40   |
| Shoulder Harness - front seat                                                  | 5600   | 100  |
| Speed Control - engine compartment                                             | 5614   | 101  |
| Speed Control - front compartment                                              | 6689   | 155  |
| Speed Control - rear compartment                                               | 6688   | 154  |
| Speed Control - rear compartment                                               | 3125   | 38   |

**100% SATISFACTION GUARANTEED**

**BUY IT NOW!**

**Click Here To Order**

PayPal American Express Discover MasterCard VISA

Index, Alphabetical Order  
1969 Mustang Part and Body Illustrations

| Description                                                                       | Number | Page |
|-----------------------------------------------------------------------------------|--------|------|
| Starter and Drive Assy. – Positive Engagement                                     | 3191   | 42   |
| Starter and Solenoid (Ford 12 volt - positive engagement)                         | 5952   | 115  |
| Starter Drive (Ford 12 volt – positive engagement)                                | 5526   | 99   |
| Steering Column - floor shift - fixed wheel                                       | 6781   | 167  |
| Steering Column - floor shift - tilt wheel                                        | 6782   | 168  |
| Steering Gear Details                                                             | 9859   | 248  |
| Steering linkage, Manual                                                          | 5959   | 116  |
| Steering Wheel & Horn Ring                                                        | 6025   | 117  |
| Steering Wheel with rim blow horn, 3-spoke                                        | 6823   | 178  |
| Steering, Power Steering Linkage                                                  | 6906   | 192  |
| Steering, Power steering pump details                                             | 5615   | 102  |
| Steering, Power Steering Pump Installation, 6 cyl engines                         | 6946   | 204  |
| Steering, Power Steering Pump Installation, 6 cyl engines                         | 6947   | 205  |
| Stereo tape player - hang-on                                                      | 6540   | 136  |
| Suspension, Front                                                                 | 6927   | 202  |
| Thermactor Emission Control System - 8 Cyl. "Boss 302" Engine                     | 8523   | 245  |
| Thermactor Emission Control System - 8 Cyl. 429 Engine                            | 8524   | 246  |
| Thermostatic choke control                                                        | 4177   | 58   |
| Thermostatic Choke Control                                                        | 5633   | 106  |
| Thermostatic Choke Control System                                                 | 6432   | 122  |
| Transmission Automatic, bushings                                                  | 4862   | 77   |
| Transmission Automatic, Shift control selector mechanism, Automatic               | 6802   | 174  |
| Transmission Automatic, Vacuum throttle valve, lines and fittings - typical       | 3627   | 47   |
| Transmission C4 Type, Case, converter assy., extension, pump - typical            | 4326   | 60   |
| Transmission C4 Type, Clutches, gears, shafts, rear support - typical             | 4327   | 61   |
| Transmission C4 Type, Main control valve body assy. (Basic 7A100) - typical       | 4507   | 70   |
| Transmission C4 Type, Parking pawl, throttle and manual control linkage - typical | 4330   | 64   |
| Transmission C4 Type, Servo and band, front - typical                             | 4328   | 62   |
| Transmission C4 Type, Servo and band, rear - typical                              | 4329   | 63   |
| Transmission C6 Type, Case, converter assy., extension, pump - typical            | 5172   | 85   |
| Transmission C6 Type, Clutches, gears, shafts - typical                           | 5173   | 86   |
| Transmission C6 Type, Main control valve body assy. (Basic 7A100) - typical       | 5176   | 88   |
| Transmission C6 Type, Parking pawl, throttle and manual control linkage - typical | 5191   | 89   |
| Transmission C6 Type, Servo and band - typical                                    | 5174   | 87   |

**100% SATISFACTION GUARANTEED**

**BUY IT NOW!**

**Click Here To Order**

PayPal American Express Discover MasterCard VISA

Index, Alphabetical Order  
1969 Mustang Part and Body Illustrations

| Description                                                                            | Number | Page |     |
|----------------------------------------------------------------------------------------|--------|------|-----|
| Transmission FMX type - Case, converter assy., extension, pump, rear support - typical | 6462   | 124  |     |
| Transmission FMX type - Clutches, gears, shafts, extension - typical                   | 6463   | 125  |     |
| Transmission FMX type - Main control valve body assy. (Basic 7A100) - typical          | 6466   | 128  |     |
| Transmission FMX type - Oil pressure regulator assy. (Basic 7A139) - typical           | 6470   | 129  |     |
| Transmission FMX type - Oil pressure tubes installation - typical                      | 6472   | 131  |     |
| Transmission FMX type - Parking pawl, throttle and manual control linkage - typical    | 6471   | 130  |     |
| Transmission FMX type - Servo and band, front - typical                                | 6464   | 126  |     |
| Transmission FMX type - Servo and band, rear - typical                                 | 6465   | 127  |     |
| Transmission Oil cooling system, automatic - typical                                   | 7041   | 219  |     |
| Transmission, Manual, 3 Speed manual trans 3.03 type                                   | 4012   | 57   |     |
| Transmission, Manual, Ford 4 speed                                                     | 4424   | 68   |     |
| Turn indicator - hood mounted                                                          | 6964   | 207  |     |
| Valve - exhaust thermostat control - arm type counterweight                            | 3474   | 46   |     |
| Valve - exhaust thermostat control - wheel type counterweight                          | 5227   | 90   |     |
| Valves, push rods and rocker arm cover, 6 Cyl and 8 Cyl 260, 289,302,351,400,429,460   | 3726   | 49   |     |
| Valves, push rods and rocker arm cover, 6 Cylinder                                     | 3089   | 35   |     |
| Valves, push rods, and rocker arm cover - 390 CID Engine                               | 2485   | 24   |     |
| Ventilating Ducts                                                                      | 6977   | 209  |     |
| Voltage Regulator (Ford 15 volt, negative ground)                                      | 5525   | 98   |     |
| Water Pump - 8 cyl 390, 428 CID Engine                                                 | 9198   | 247  |     |
| Water Pump - 8 cyl. 351C, 400, 429, 460 engines                                        | 6492   | 134  |     |
| Water Pumps, 6 cyl. - 200, 250 engines                                                 | 2962   | 30   |     |
| Water Pumps, 8 cyl. - 289, 302, 351W engine (with cover)                               | 5143   | 83   |     |
| Window parts - front door                                                              | 6816   | 177  |     |
| Window parts - quarter window - body type 63                                           | 6732   | 158  |     |
| Window parts - quarter window - body type 65, 76                                       | 6733   | 159  |     |
| Windshield - body types 63, 65                                                         | 6740   | 162  |     |
| Windshield - body types 76                                                             | 6741   | 163  |     |
| Windshield Washer and wipers                                                           | 6867   | 183  |     |
| Windshield wiper - wiper motor (2 speed Ford electric)                                 | 11434  | 251  |     |
| Windshield wiper and washer                                                            | 6867-B | 184  |     |
|                                                                                        | A      | 6996 | 215 |
|                                                                                        | B      | 7026 | 216 |



**BUY IT NOW!**

**Click Here To Order**





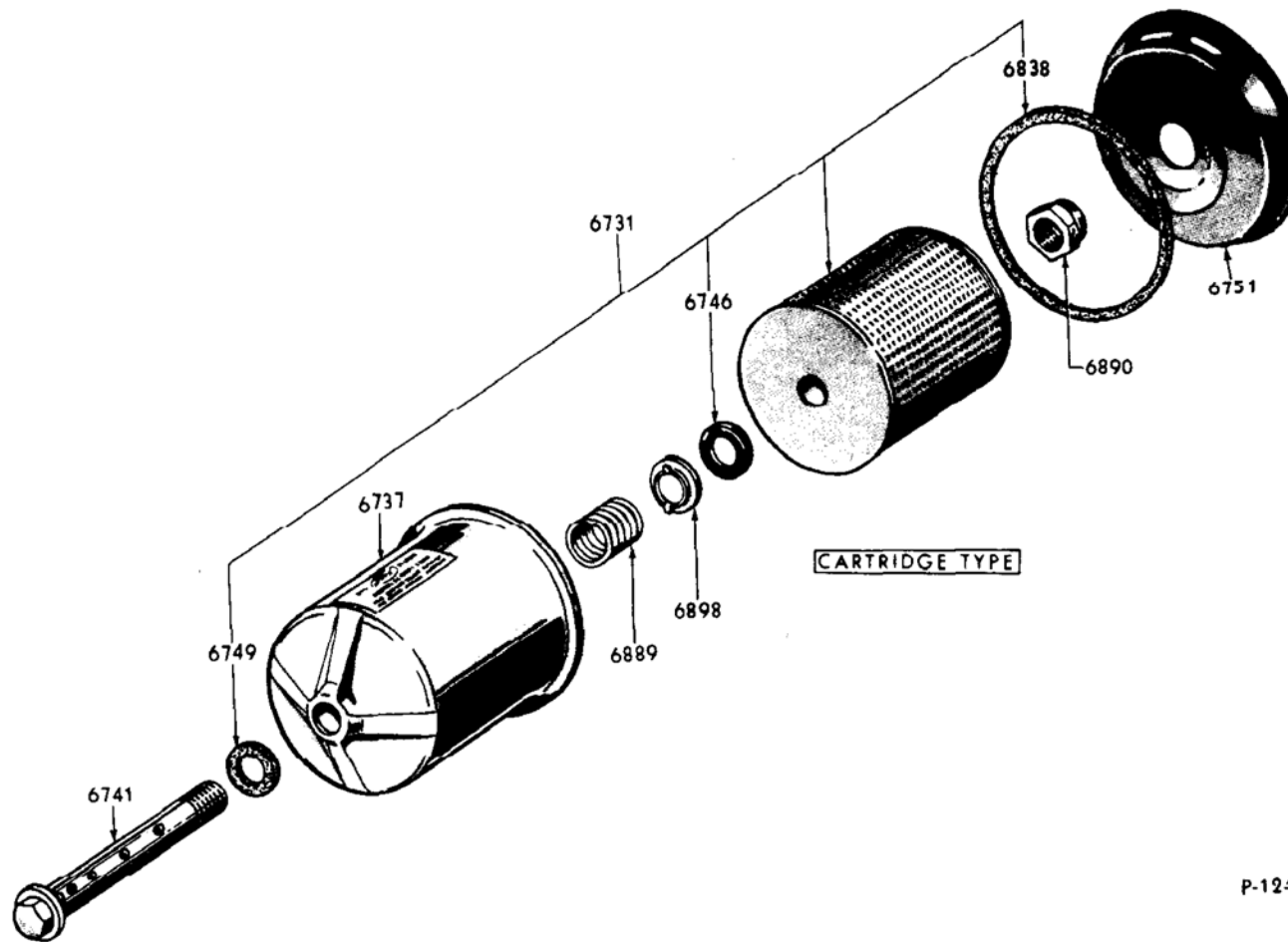




**100% SATISFACTION GUARANTEED**

**BUY IT NOW!**

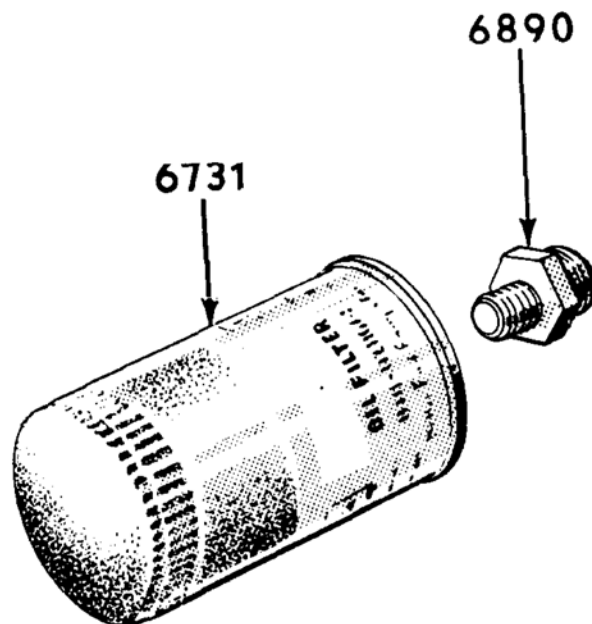
**Click Here To Order**



P-1246

**ENGINE FILER AND RELATED PARTS - CARTRIDGE TYPE - TYPICAL**  
**1965 / 72 6 CYLINDER 170, 200, 240, 250 AND 8 CYLINDER 260, 289, 302 AND 351**





P-2384

**ENGINE FILER AND RELATED PARTS - SPIN-ON TYPE - TYPICAL**

**1965 / 72 6 CYLINDER 170, 200, 240, 250 AND 8 CYLINDER 260, 289, 302, 351, 352, 390, 400, 427, 428, 429 AND 460**



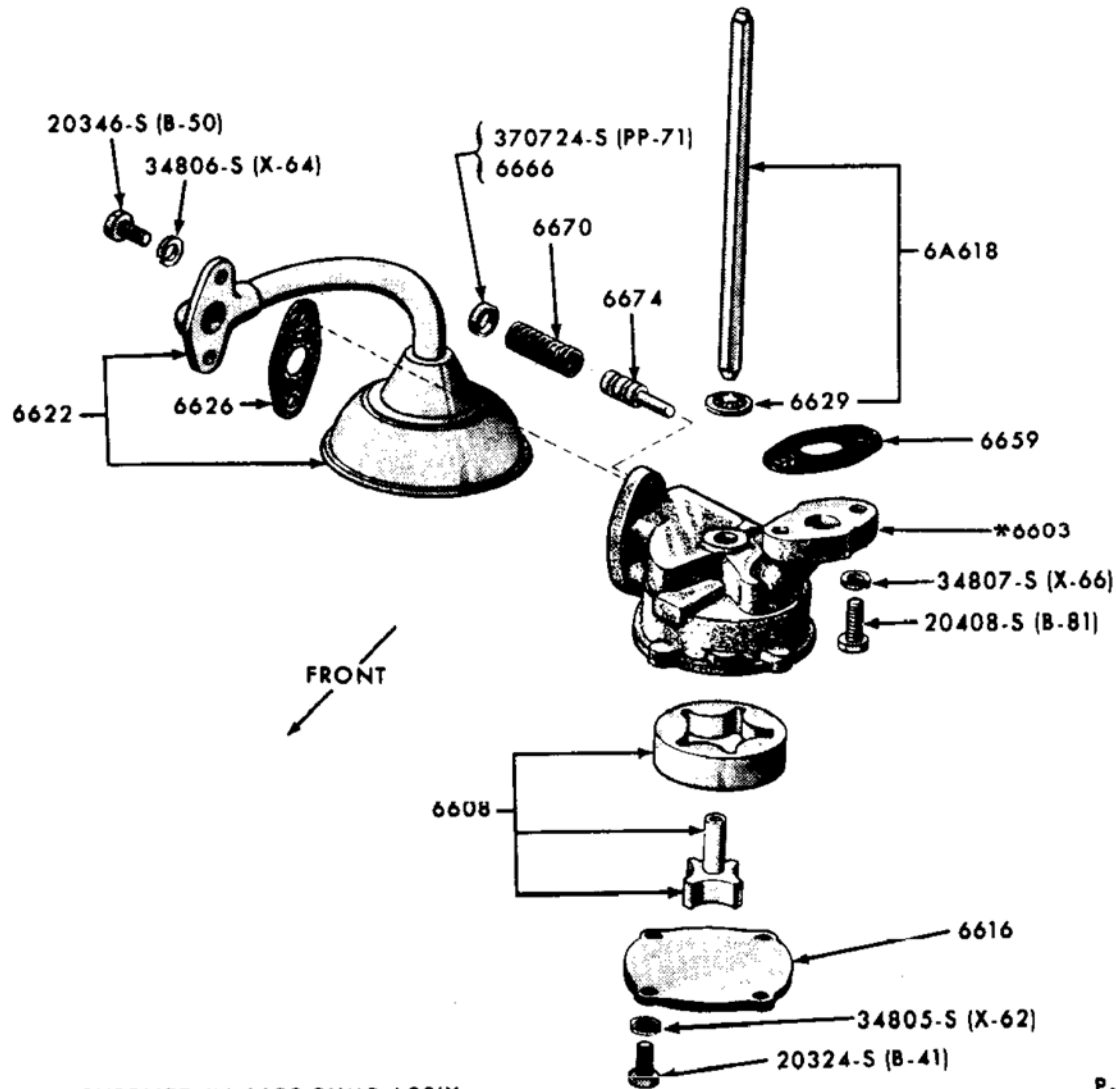




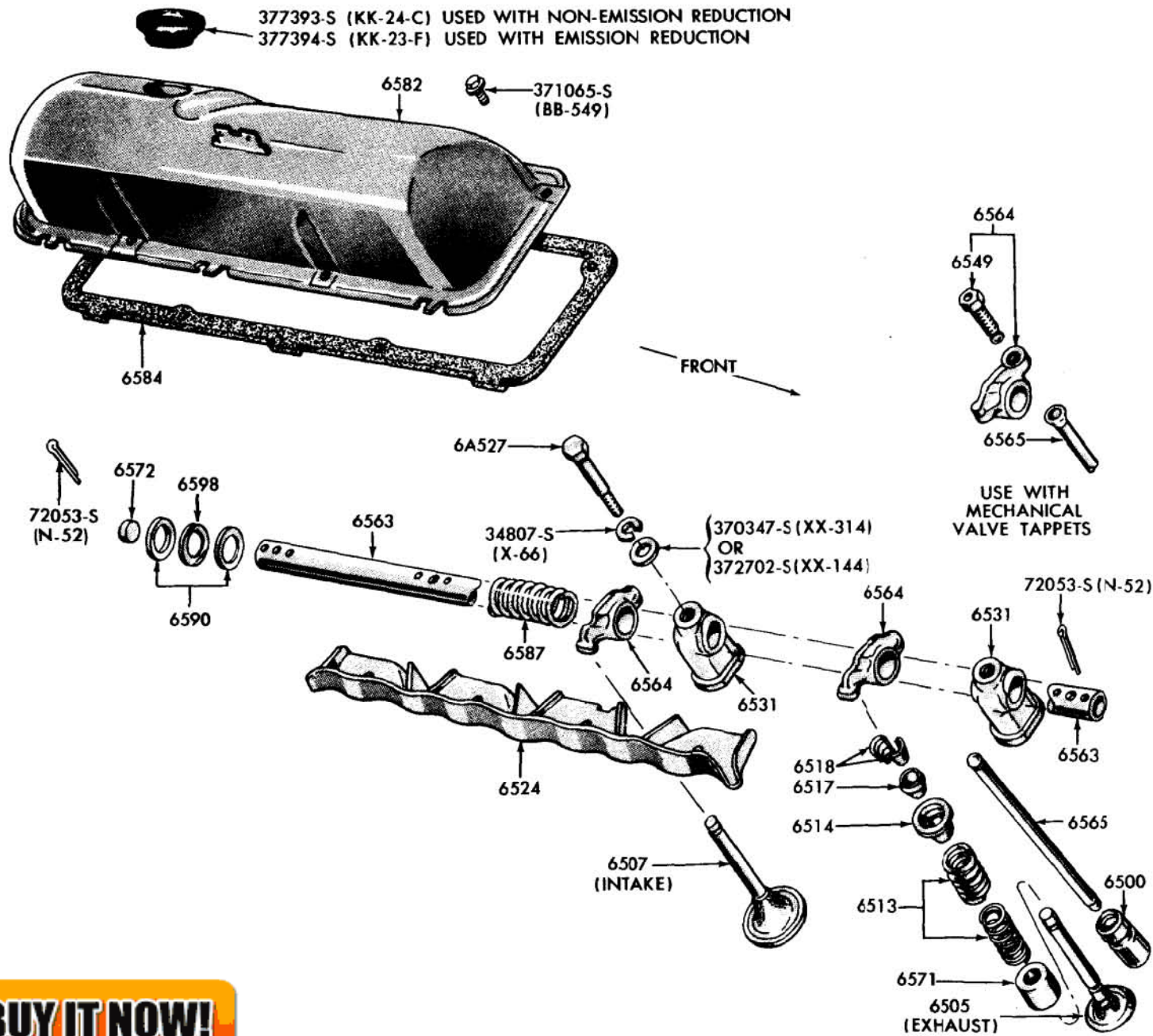
**100% SATISFACTION GUARANTEED**

**BUY IT NOW!**

**Click Here To Order**



**ENGINE OIL PUMP AND RELATED PARTS -- TYPICAL**  
**1965 / 71 8 CYLINDER 352, 390, 427 AND 428**



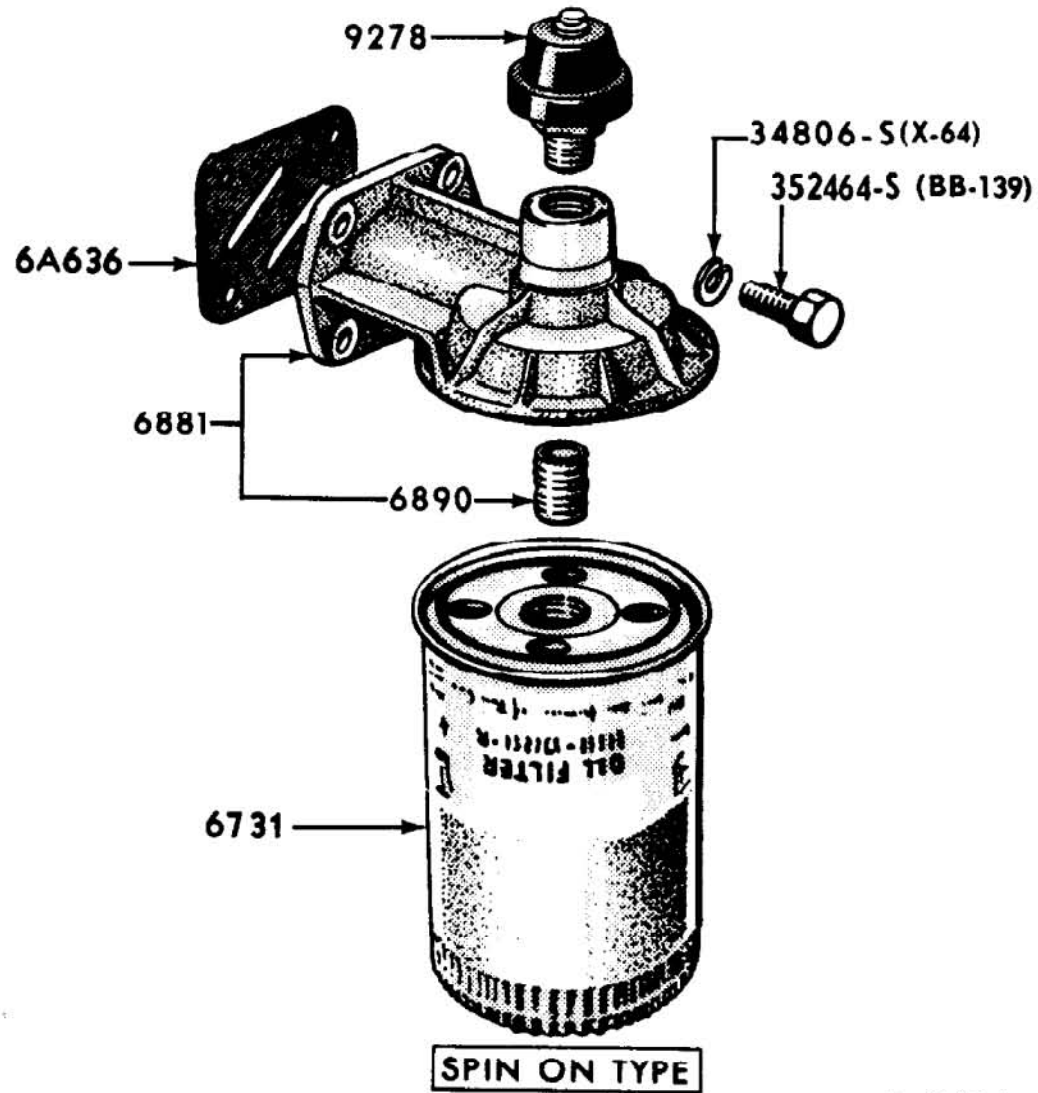
**100% SATISFACTION GUARANTEED**

**BUY IT NOW!**

**Click Here To Order**

PayPal American Express Discover/Novus MasterCard VISA

VALVES, PUSH RODS, ROCKER ARM COVER AND RELATED PARTS - TYPICAL  
1965 / 71 8 CYLINDER 352, 390, 427 AND 428



P-2486

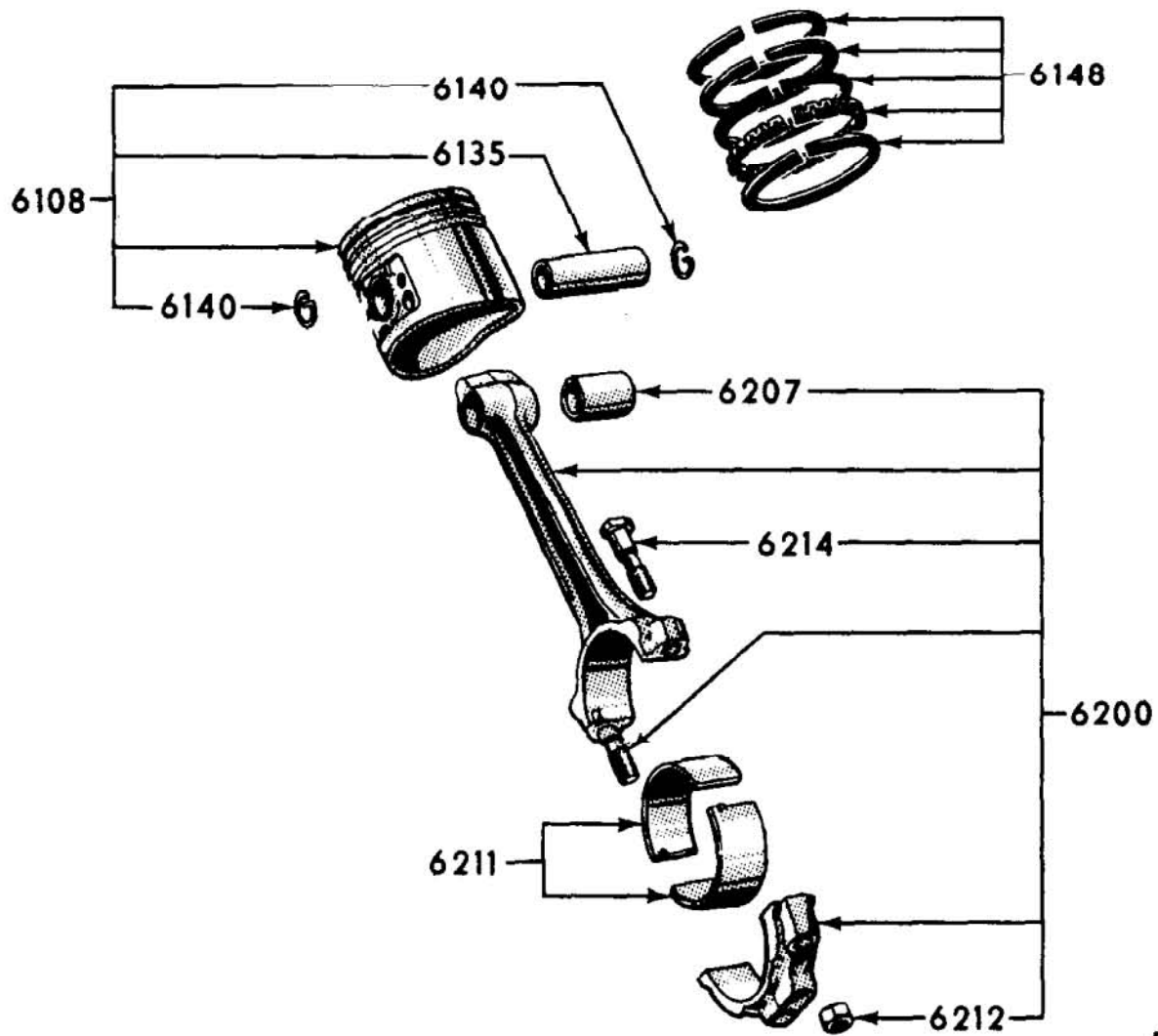
**100% SATISFACTION GUARANTEED**

**BUY IT NOW!**

**Click Here To Order**

PayPal   American Express   Discover   MasterCard   VISA

ENGINE OIL FILTER, ADAPTER AND RELATED PARTS - TYPICAL  
1965/ 8 CYLINDER 352, 390, 400, 427, 428 AND 429



P-2487

**100% SATISFACTION GUARANTEED**

**BUY IT NOW!**

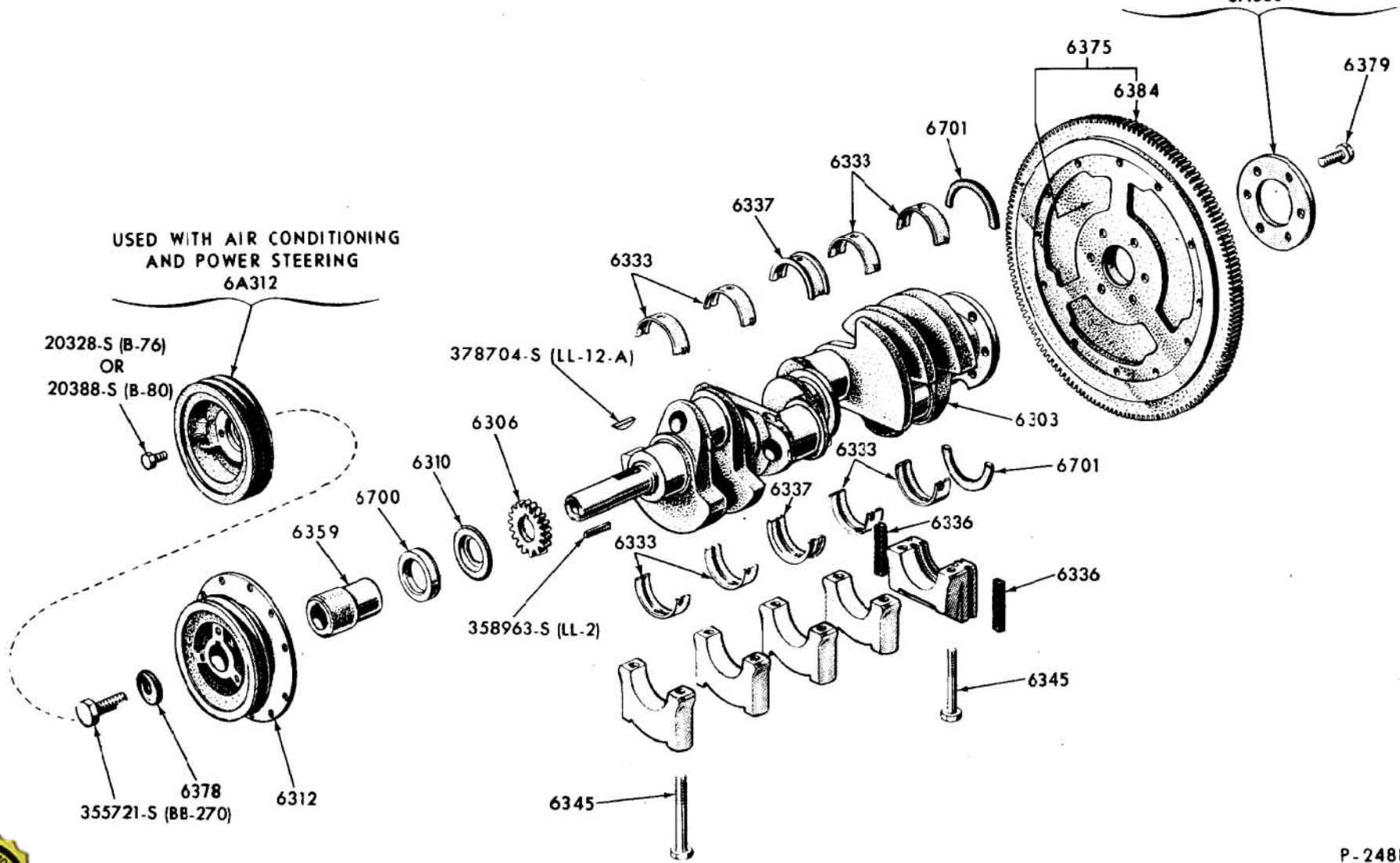
**Click Here To Order**

PayPal | American Express | Discover | MasterCard | VISA

ENGINE PISTON, CONNECTION ROD AND RELATED PARTS - TYPICAL  
1965 / 71 8 CYLINDER 352, 390, 427, AND 428

USED WITH  
F/M, F/M2, AND C/M  
TRANSMISSIONS ONLY  
6A366

USED WITH AIR CONDITIONING  
AND POWER STEERING  
6A312



P-2488

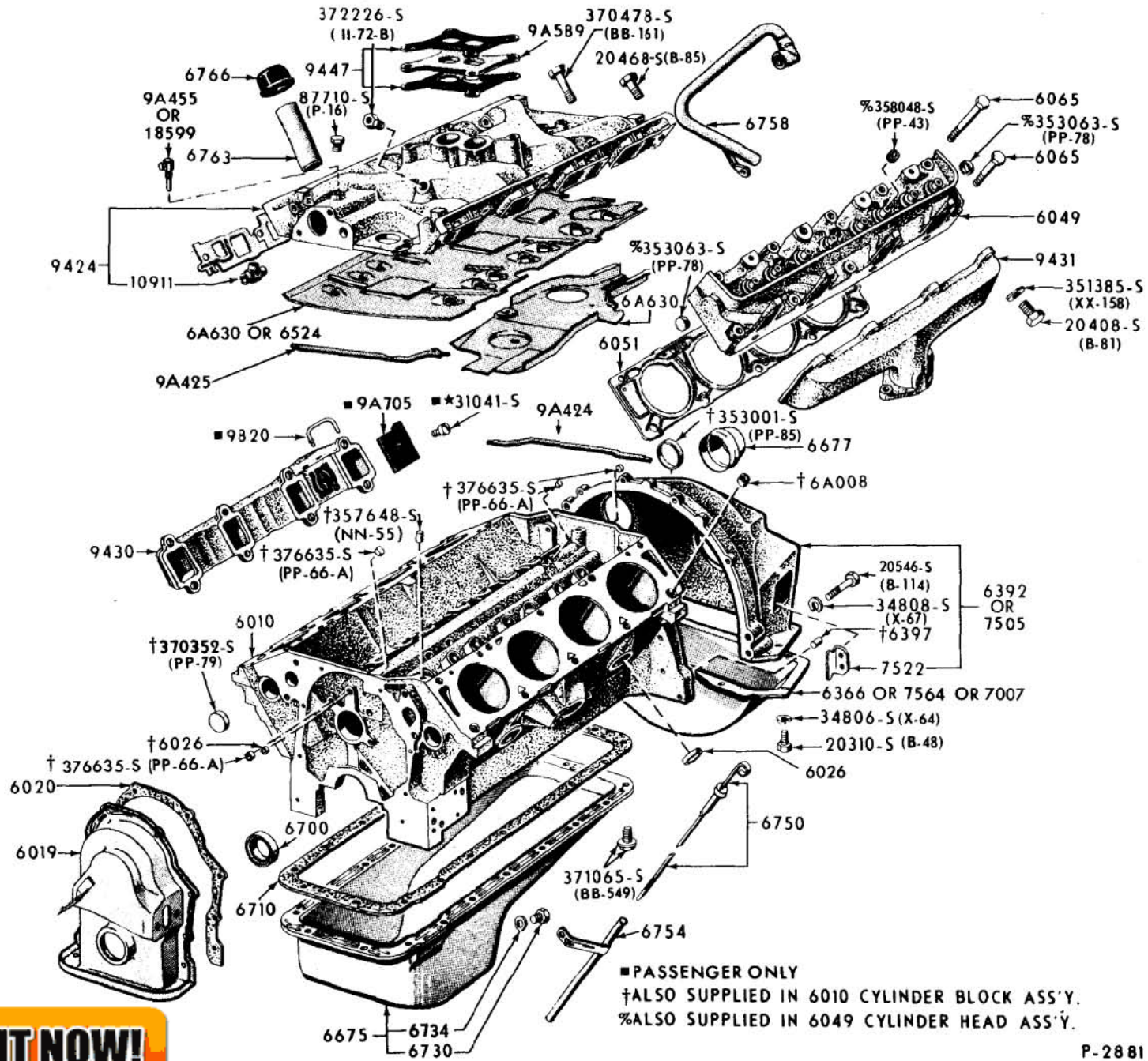
**100% SATISFACTION GUARANTEED**

**BUY IT NOW!**

**Click Here To Order**

PayPal   American Express   Discover   MasterCard   VISA

CRANKSHAFT, FLYWHEEL AND RELATED PARTS - TYPICAL  
1965 / 71 8 CYLINDER 352, 390, 427 AND 428



P-2881

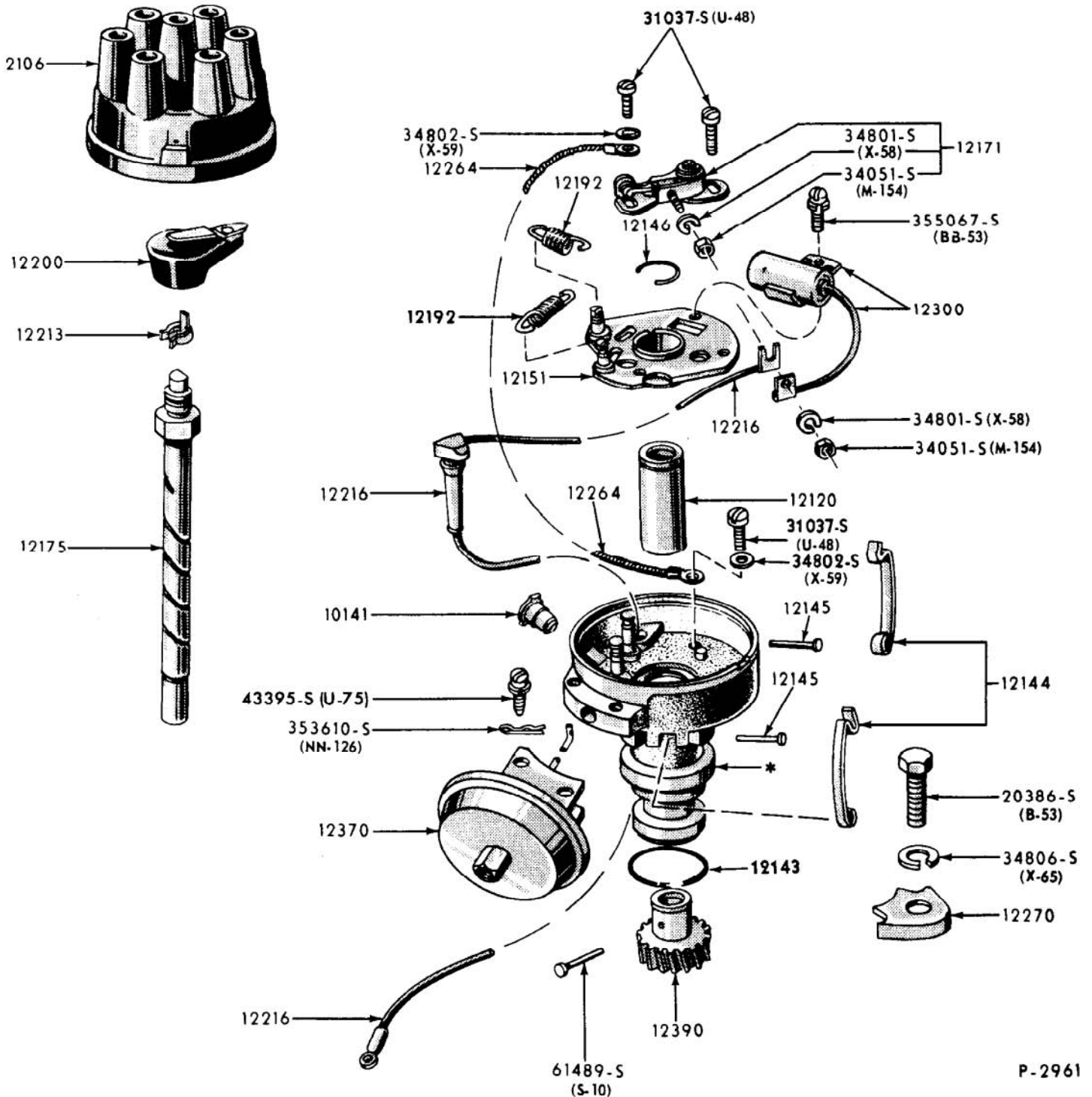

**BUY IT NOW!**  
 Click Here To Order







**CYLINDER BLOCK AND RELATED PARTS**  
**CYLINDER 352, 390, 427 AND 428 ENGINES TYPICAL**  
 1965 / 71



P-2961

**BUY IT NOW!**  
 Click Here To Order

DISTRIBUTOR  
 5 / 69 6 CYLINDER 170, 200 ENGINES



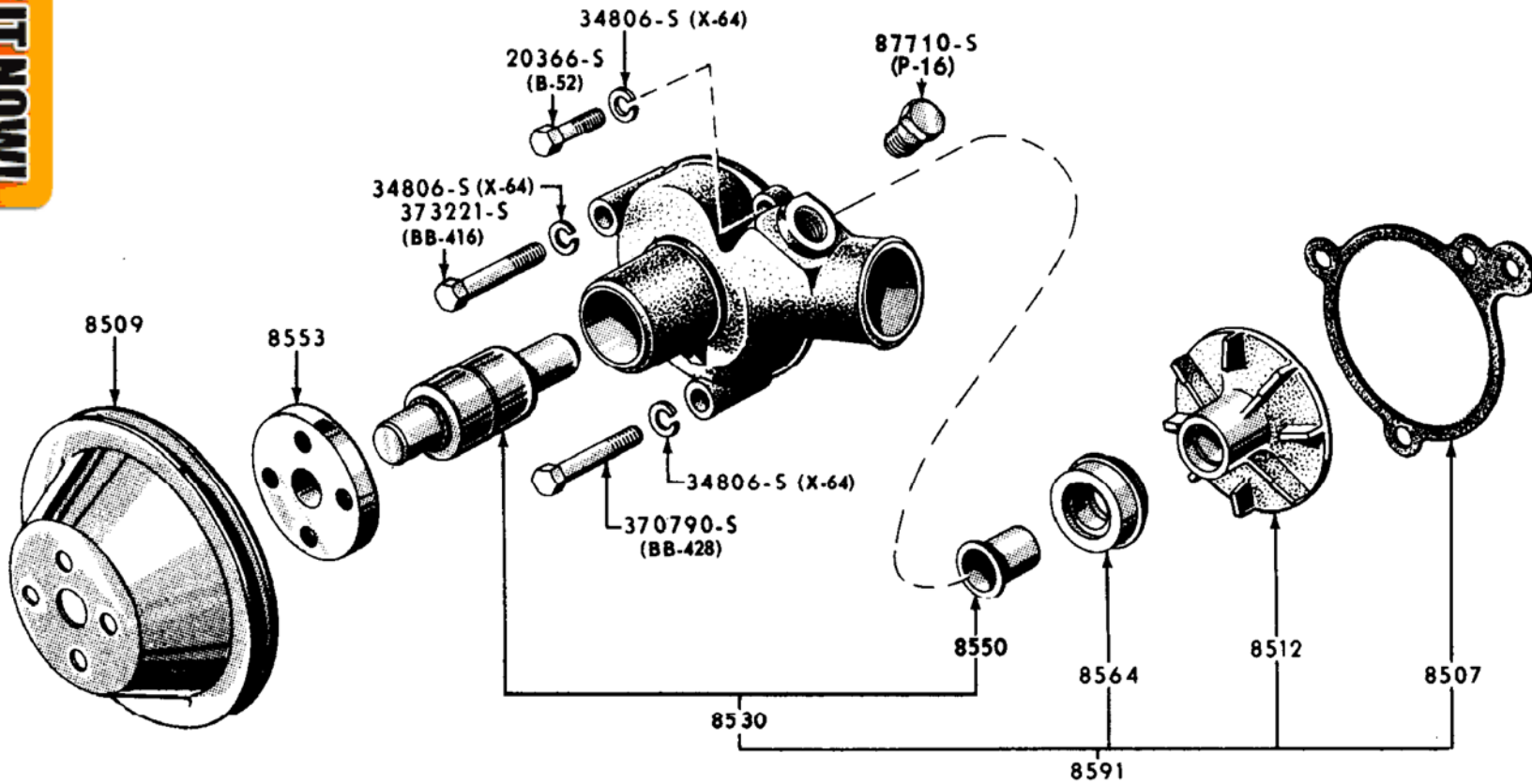




**100% SATISFACTION GUARANTEED**

**BUY IT NOW!**

**Click Here To Order**



P-2962

**WATER PUMP**  
 1965 / 72 6 CYLINDER 170, 200 AND 250