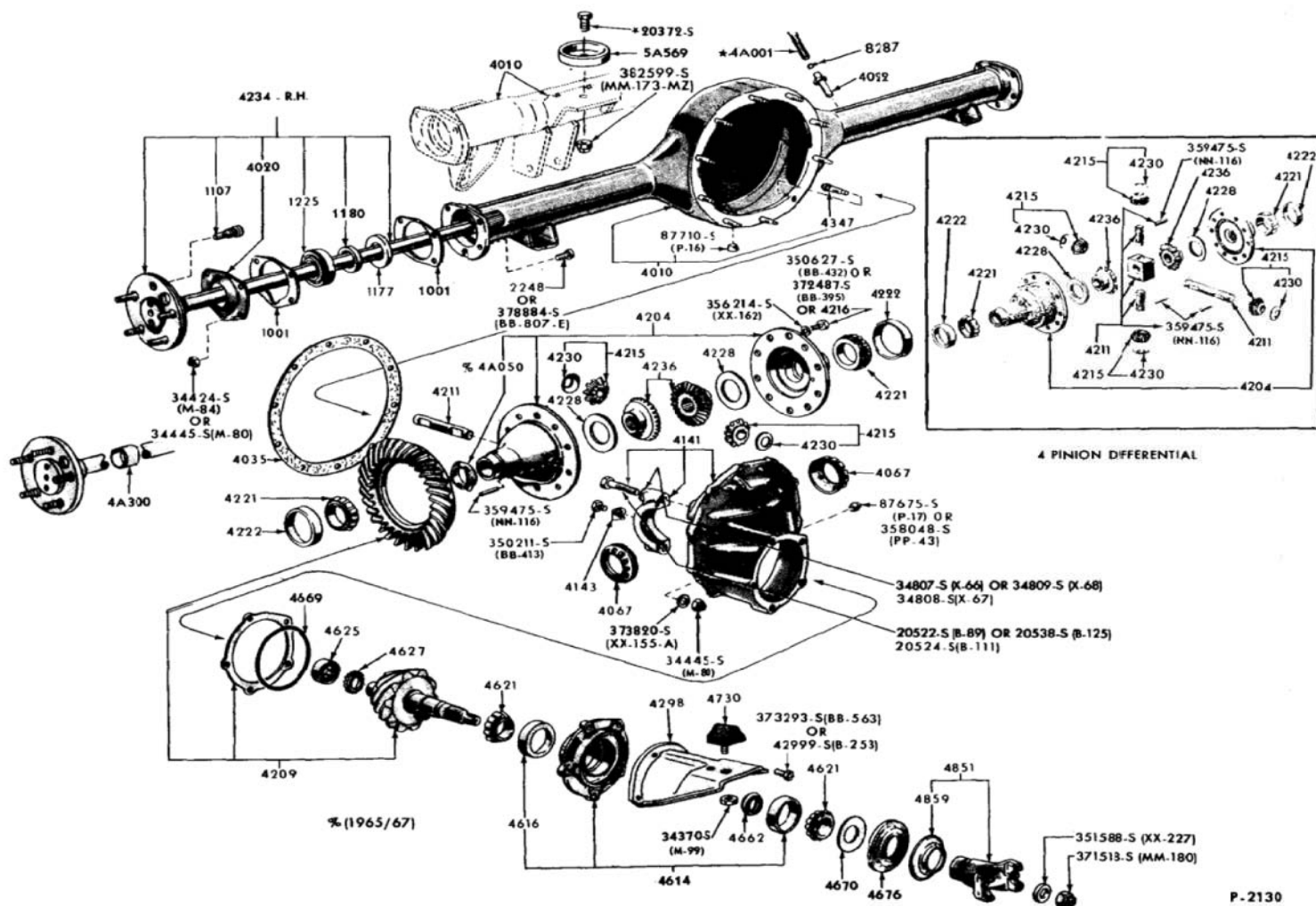


1968 Mustang

Part & Body Illustrations



Includes Shelby GT 350 / 500



BUY IT NOW!

[Click Here To Order](#)



© 2009 Forel Publishing Company, LLC



Copyright © 2009, Forel Publishing Company, LLC, Woodbridge, Virginia

All Rights Reserved. No part of this book may be used or reproduced in any manner whatsoever without written permission of Forel Publishing Company, LLC. For information write to Forel Publishing Company, LLC, 3999 Peregrine Ridge Ct., Woodbridge, VA 22192

1968 Mustang Part and Body Illustrations
EAN: 978-1-60371-036-7
ISBN: 1-60371-036-1

Forel Publishing Company, LLC
3999 Peregrine Ridge Ct.
Woodbridge, VA 22192
Email address: webmaster@ForelPublishing.com
Website: http://www.ForelPublishing.com



This publication contains material that is reproduced and distributed under a license from Ford Motor Company. No further reproduction or distribution of the Ford Motor Company material is allowed without the express written permission of Ford Motor Company.

Note from the Editor

This product was compiled using original Ford Motor Company publications. The contents of this product were extracted from: 1965/72 Ford Car Master Parts and Accessory Catalog (FP-7635- A and FP-7635- B).

Disclaimer

Although every effort was made to ensure the accuracy of this book, no representations or warranties of any kind are made concerning the accuracy, completeness or suitability of the information, either expressed or implied. As a result, the information contained within this book should be used as general information only. The author and Forel Publishing Company, LLC shall have neither liability nor responsibility to any person or entity with respect to any loss or damage caused, or alleged to be caused, directly or indirectly by the information contained in this book. Further, the publisher and author are not engaged in rendering legal or other professional services. If legal, mechanical, electrical, or other expert assistance is required, the services of a competent professional should be sought.



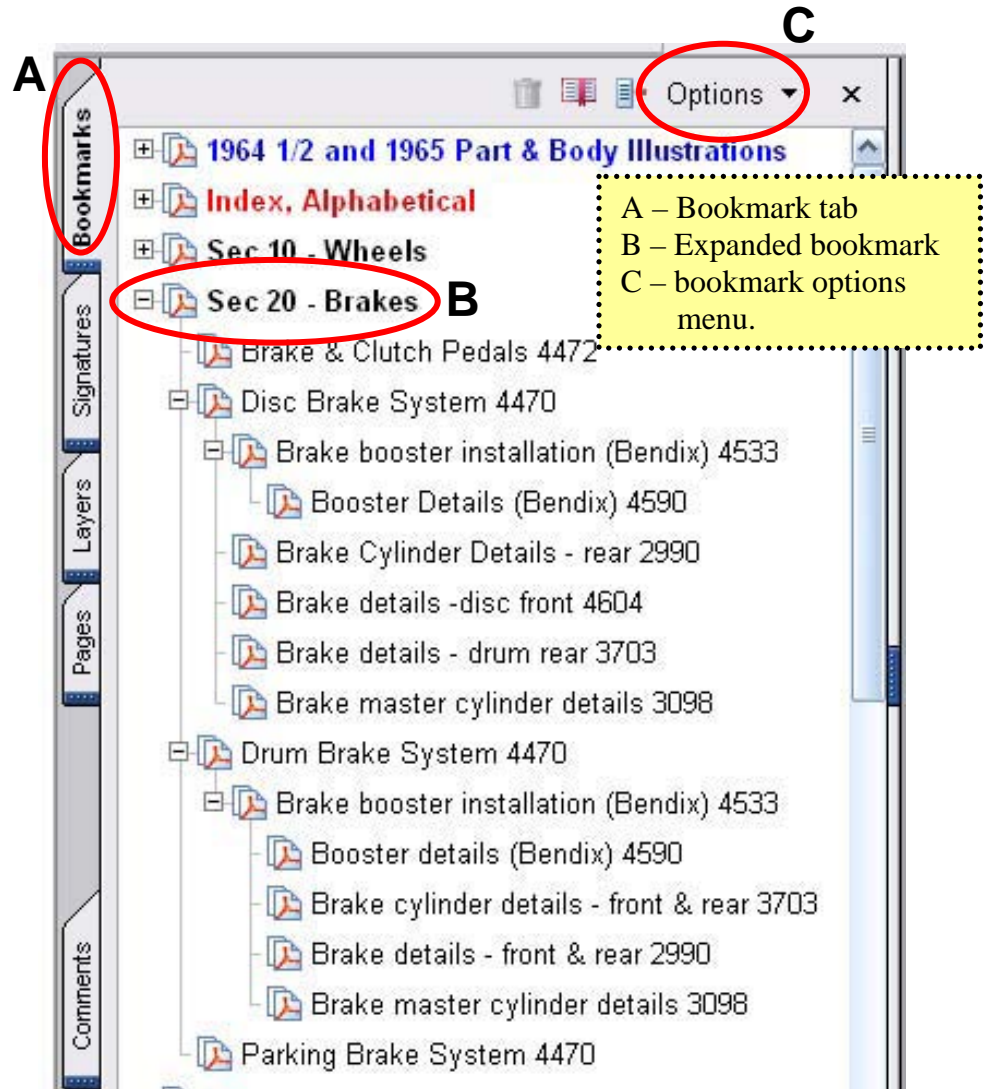
Navigating with bookmarks

This manual is primarily organized using “bookmarks”. Bookmarks are found on the left side of the screen and allow the user to navigate directly to a specific location within the document.

To browse using a bookmark:

1. Click the Bookmarks tab on the left side of the window, or choose view>Navigation Tabs>Bookmarks to display bookmarks.
2. To jump to a topic using its bookmark, click the bookmark. Click the plus sign (+) next to a parent bookmark to expand it. Click the minus sign (-) next to a bookmark to hide its children.

Note: Clicking a bookmark might perform an action instead of taking you to another location. It depends on how the bookmark was defined. For example, a hyperlinked bookmark could take you to a website.



If the list of bookmarks disappears when you click a bookmark, click the Bookmarks tab to display the list again. If you want the Bookmarks tab to always remain open after you click a menu at the top of the Bookmarks panel, and make sure Hide After



Basic Manual Organization

This manual is organized in three ways: **Illustration Number, Groupings by Sections** and **Alphabetical**.

Illustration Number:

Each illustration has its own illustration number. For example, the illustration for Brake & Clutch Pedals is illustration number “P-4472” and the illustration for the Brake Cylinder Details is “P-2990”. The pages of this book are arranged in illustration number order. Therefore, illustration 4473 would follow 2990.

Note: Illustrations are in numerical, not alphabetical order.

Groupings by Sections:

The grouping of diagrams by “section” is similar to how the Ford Motor Company originally organized its Master Parts and Accessories Catalog which contained both illustrations and part numbers to identify parts. For example, **Section 20 – Brakes** groups most brake related parts for this vehicle.

This manual uses bookmarks to follow that same organization and uses the same terms Ford used to identify the diagrams. In addition, the diagram number has been added to the end of the description. For example, **“Disc Brake System 4470”** is the basic name of the diagram and the diagram number is 4470. For the bookmarks and index’s in this manual, the “P-“ has been omitted.

Sec 20 - Brakes

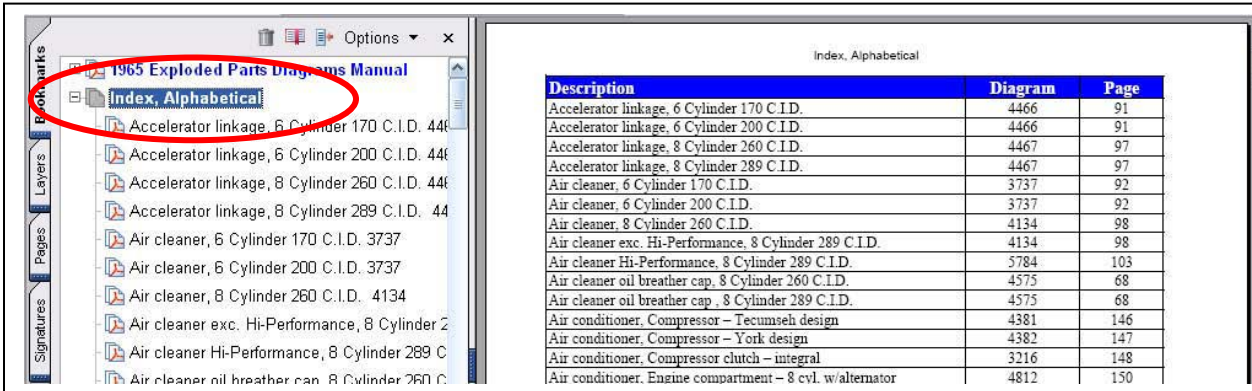
Brake & Clutch Pedals 4472
Disc Brake System 4470
 Brake booster installation (Bendix) 4533
 Booster Details (Bendix) 4590
Brake Cylinder Details - rear 2990
Brake details -disc front 4604
Brake details - drum rear 3703
Brake master cylinder details 3098
Drum Brake System 4470
 Brake booster installation (Bendix) 4533
 Booster details (Bendix) 4590
 Brake cylinder details - front & rear 2990
 Brake details - front & rear 2990
 Brake master cylinder details 3098
Parking Brake System 4470

The grouping of diagrams by number is useful in finding most diagrams related to a major group.



Alphabetical:

The alphabetical listing is a simple alphabetized listing of all diagrams. In some cases, if the diagram contained more than one major component, the diagram may be identified more than once. Expand the “Index, Alphabetical” bookmark to view details. The associated page contains the description, diagram number and page number for easy reference.



The screenshot shows a software interface with a bookmarked index. The bookmarked index is titled "Index, Alphabetical" and is circled in red. The index lists various diagrams with their descriptions, diagram numbers, and page numbers. The table below is a reproduction of the data shown in the screenshot.

Description	Diagram	Page
Accelerator linkage, 6 Cylinder 170 C.I.D.	4466	91
Accelerator linkage, 6 Cylinder 200 C.I.D.	4466	91
Accelerator linkage, 8 Cylinder 260 C.I.D.	4467	97
Accelerator linkage, 8 Cylinder 289 C.I.D.	4467	97
Air cleaner, 6 Cylinder 170 C.I.D.	3737	92
Air cleaner, 6 Cylinder 200 C.I.D.	3737	92
Air cleaner, 8 Cylinder 260 C.I.D.	4134	98
Air cleaner exc. Hi-Performance, 8 Cylinder 289 C.I.D.	4134	98
Air cleaner Hi-Performance, 8 Cylinder 289 C.I.D.	5784	103
Air cleaner oil breather cap, 8 Cylinder 260 C.I.D.	4575	68
Air cleaner oil breather cap, 8 Cylinder 289 C.I.D.	4575	68
Air conditioner, Compressor - Tecumseh design	4381	146
Air conditioner, Compressor - York design	4382	147
Air conditioner, Compressor clutch - integral	3216	148
Air conditioner, Engine compartment - 8 cyl. w/alternator	4812	150

Note: Illustrations are in numerical, not alphabetical order.



100% SATISFACTION GUARANTEED
BUY IT NOW!
Click Here To Order

PayPal
American Express
Discover
MasterCard
VISA

Index, Numerical Order
1968 Mustang Part and Body Illustrations

Number	Description	Page
1246	Oil filters - cartridge type	20
2130	Rear Axle Non-Locking (separate carrier)	21
2384	Oil filters - spin-on type	22
2476	Oil Pump - 390 CID Engine	23
2485	Valves, push rods, and rocker arm cover - 390 CID Engine	24
2486	Oil Filters - spin-on type and adapter	25
2487	Piston and connecting rods - 390 CID Engine	26
2488	Crankshaft and flywheel	27
2819	Rear Axle Locking - Equa Lock (separate carrier)	28
2881	Cylinder Block, 8 Cyl., 352, 390, 427, 428 CID	29
2961	Distributor (6 cylinder 200 engines)	30
2962	Water Pumps, 6 cyl. - 200, 250 engines	31
2963	Oil pump, 6 Cylinder 200, 250 C.I.D.	32
2964	Camshaft, gear and bearings, 6 Cylinder 200, 250 C.I.D.	33
2996	Dome lamp	34
3088	Cylinder block, 6 Cylinder 200, 250 C.I.D.	35
3089	Valves, push rods and rocker arm cover, 6 Cylinder	36
3090	Piston and connecting rod, 6 Cylinder 200, 250 C.I.D.	37
3118	Front and rear wheel, hub, & bearing	38
3125	Springs	39
3129	Shock absorber - front	40
3137	Shock absorber - rear	41
3144	Drive Shaft	42
3147	Cooling Systems, 6 & 8 Cyl. Engines	43
3191	Starter and Drive Assy. – Positive Engagement	44
3216	Air conditioner, Compressor clutch (integral)	45
3231	Carburetor – Holley 4V, w/o external fuel transfer tube	46
3306	Fuel Pump - with 4V carb.	47
3474	Valve - exhaust thermostat control - arm type counterweight	48
3627	Transmission Automatic, Vacuum throttle valve, lines and fittings - typical	49
3703	Brake details - drum rear	50
	Valves, push rods and rocker arm cover, 6 Cyl and 8 Cyl 260, 289,302,351,400,429,460	51
	Valves, and related parts, 8 Cyl.	52
	Connecting rod, 6 Cyl and 8 Cyl 260, 289,302,351,400,429,460	53

100% SATISFACTION GUARANTEED

BUY IT NOW!

Click Here To Order

PayPal American Express Discover MasterCard VISA

Index, Numerical Order
1968 Mustang Part and Body Illustrations

Number	Description	Page
3733	Camshaft, gear and bearings, 8 Cylinder 289 C.I.D.	54
3734	Crankshaft and flywheel, 8 Cylinder 289 C.I.D.	55
3736	Oil pump, 8 Cylinder 260, 289,302,351,400,429,460 C.I.D.	56
3742	Intake manifold & related parts, 8 Cylinder 289 CID Engine	57
3767	Cylinder block and cylinder head, 8 Cylinder 289 C	58
3906	Brake Cylinder Details - front & rear	59
4012	Transmission, Manual, 3 Speed manual trans 3.03 type	60
4020	Ventilating ducts	61
4107	Emission Reduction System, Intake manifold type - open system	62
4146	Intake manifold type-open system, 8 Cylinder 289 C	63
4177	Thermostatic choke control	64
4180	Cylinder Details	65
4326	Transmission C4 Type, Case, converter assy., extension, pump - typical	66
4327	Transmission C4 Type, Clutches, gears, shafts, rear support - typical	67
4328	Transmission C4 Type, Servo and band, front - typical	68
4329	Transmission C4 Type, Servo and band, rear - typical	69
4330	Transmission C4 Type, Parking pawl, throttle and manual control linkage - typical	70
4381	Air conditioner, Compressor (Tecumseh design)	71
4382	Air conditioner, Compressor (York design)	72
4389	Rocker arm cover type-open system, 6 Cylinder 200	73
4424	Transmission, Manual, Ford 4 speed	74
4455	Front seats – bucket - body types 63A, 65, and 76A	75
4459	Battery Carrier and Related Parts	76
4466	Accelerator linkage, 6 Cylinder 170, 200 C.I.D. Engines	77
4478	Roof side mouldings and weatherstrips – body type 65	78
4479	Folding top parts – less trim – body type 76	79
4491	Windshield – body types 63, 65	80
4492	Windshield – body type 76	81
4499	Fuel System	82
4507	Transmission C4 Type, Main control valve body assy. (Basic 7A100) - typical	83
4508	Alternator (Ford 15 volt-38, 42, 45, 55, 60 amp)	84
	Transmission, Manual, 3 speed trans, Gear shift mechanism - console or floor	85
	Transmission, Manual, 3 speed trans, Gear shift mechanism - floor	86
	Alternator (Ford 2V, 8 Cylinder 289 C.I.D.)	87



BUY IT NOW!

Click Here To Order



Index, Numerical Order
1968 Mustang Part and Body Illustrations

Number	Description	Page
4527	Carburetor – Ford 4V, 8 Cylinder 289 C.I.D.	88
4575	Air cleaner oil breather cap , Closed System	89
4592	Emission Reduction System, rocker arm cover type-open system	90
4596	Jack and spare wheel parts	91
4728	Carburetor – Ford Type, 6 Cylinder 200 C.I.D.	92
4734	Courtesy lamp – instrument panel mounted	93
4735	Courtesy lamp – quarter panel mounted	94
4838	Roof side mouldings and weatherstrips – body type 63	95
4862	Transmission Automatic, bushings	96
4878	Camshaft, gear and bearings	97
4885	Front seat – full width	98
4899	Crankshaft and flywheel, 6 Cylinder 200, 250 C.I.D.	99
4924	Distributor (8 cylinder – with stamped weights)	100
4945	Front Suspension - arms, spindles, springs	101
5009	Exhaust air supply pump	102
5143	Water Pumps, 8 cyl. - 289, 302, 351W engine (with cover)	103
5155	Seat belts - front and rear seats	104
5172	Transmission C6 Type, Case, converter assy., extension, pump - typical	105
5173	Transmission C6 Type, Clutches, gears, shafts - typical	106
5174	Transmission C6 Type, Servo and band - typical	107
5176	Transmission C6 Type, Main control valve body assy. (Basic 7A100) - typical	108
5191	Transmission C6 Type, Parking pawl, throttle and manual control linkage - typical	109
5227	Valve - exhaust thermostat control - wheel type counterweight	110
5278	Seat Belt Warning Lamp Installation	111
5302	Rocker arm cover type - 4/B carb. Open system	112
5320	Carburetor - Holley 4V	113
5378	Fog, Lights - except GT350/500	114
5381	Transmission Oil cooling system, automatic - typical	115
5394	Alternator (Ford 15 volt - 65 amp)	116
5457	Carburetor - Ford 4V - without external accel pump	117
5466	Sheet Metal - under body 1967/70 body type 63, 1967/69 body type 65	118
	under body	119
	upper body	120
	upper body	121



BUY IT NOW!

Click Here To Order



Index, Numerical Order
1968 Mustang Part and Body Illustrations

Number	Description	Page
5470	Sheet Metal - 76 upper body	122
5484	Accelerator linkage, 8 cyl 289 CID Engine	123
5503	Rear lamp, back up and license plate - except GT350/500	124
5511	Headlamp and parking - except GT350/500	125
5513	Brake and Clutch Pedals	126
5516	Brake, Disc, Drum, and Parking Brake System	127
5518	Brake Master Cylinder details	128
5525	Voltage Regulator (Ford 15 volt, negative ground)	129
5526	Starter Drive (Ford 12 volt – positive engagement)	130
5537	Window parts (quarter) - body types 65, 76	131
5538	Air extractor parts (quarter) - body type 63	132
5591	Door and Quarter Trim Panels - body type 63	133
5592	Door and Quarter Trim Panels - body type 65	134
5593	Door and Quarter Trim Panels - body type 76	135
5600	Shoulder Harness - front seat	136
5607	Bumper - rear	137
5608	Bumper - front	138
5609	Radiator Grille and related parts (except GT350/500)	139
5610	Hood	140
5613	Speed Control - passenger compartment	141
5615	Steering, Power steering pump details	142
5620	Map Lamp - roof console	143
5624	Windshield wiper	144
5625	Engine Supports, 6 Cylinder 200 C.I.D. Engine	145
5626	Engine Supports - 390 CID Engine	146
5627	Handles and latch parts (front door)	147
5628	Window parts (front door)	148
5629	Back window - body type 63	149
5630	Back window - body type 65	150
5633	Thermostatic Choke Control	151
5634	Latch parts (Luggage Compartment)	152
5637	Courtesy lamp - door mounted	153
	electrical system	154
	hood mounted	155
	Panel Installation	156



BUY IT NOW!

Click Here To Order



Index, Numerical Order
1968 Mustang Part and Body Illustrations

Number	Description	Page
5676	Air Conditioner - passenger compartment - integral	157
5712	Air Conditioner - economy hang-on	158
5714	Steering , Power Steering System	159
5723	Cooling System - 390, 427, 428, 429 CID Engine	160
5741	Alternator (Leece Neville 15 volt-53, 60, 65 amp)	161
5749-A	Wiring System (page A)	162
5749-B	Wiring System (page B)	163
5769	Steering Column - floor shift - tilt wheel	164
5770	Steering Column - floor shift - fixed wheel	165
5771	Transmission Automatic, Shift control selector mechanism, Automatic	166
5773	Mirror - remote control	167
5784	Air cleaner Hi-Performance, 8 Cylinder 289 C.I.D.	168
5787	Rear seat folding - body type 63	169
5788	Rear seat fixed - body type 63	170
5796	Rear Axle Equa Lock (integral carrier) and Non-Locking (integral carrier)	171
5801	Air Conditioner - engine compartment - integral 8 cyl. 390, 428	172
5810	Transmission, Manual, Ford 4 speed, Gear shift mechanism - console or floor	173
5952	Starter and Solenoid (Ford 12 volt - positive engagement)	174
5959	Steering linkage, Manual	175
5964	Heater and related parts	176
6025	Steering Wheel & Horn Ring	177
6089	Exterior Moldings - Body Type 63, 65 (Except GT / CS), 76 Typical	178
6172	Speed Control - engine compartment	179
6184	Console and related parts	180
6206	Wiring System, Instrument panel	181
6218	Brake Details, disc front	182
6221	Air Cleaner - 6 cylinder	183
6223	Air Cleaner - GT & GTA	184
6224	Air Cleaner - exc. Ram Air	185
6240	Front Seat Back Latch	186
6241	Headrest	187
6256	Rear Window Defogger	188
	Transmission Control system, 6 cyl 170, 200 CID	189
	Smoke Control System	190
	Transmission control system, 8 cyl 302	191



BUY IT NOW!

Click Here To Order



Index, Numerical Order
1968 Mustang Part and Body Illustrations

Number	Description	Page
6434	Thermactor emission control system, 8 cyl 289 CID	192
6455	Exterior Moldings - Body Type 65 (GT / CS)	193
6456	Luggage Compartment Door Latch	194
6459	Rear Axle, Locking (Traction Lok)	195
6475	Air Conditioner - engine compartment - integral 6 cyl. 200, 250	196
6476	Air Conditioner - engine compartment - integral, 8 cyl. 302, 351	197
6485	Air Conditioner - engine compartment - hang-on 8 cyl, 289, 302	198
6488	Air Conditioner - engine compartment - hang-on, 8 cyl. 390, 302	199
6539	Radio and stereo, AM/Stereo tape player, AM/FM multiplex radio & speakers	200
6540	Stereo tape player - hang-on	201
6571	Air Conditioner - passenger compartment - deluxe hang-on	202
6619	Air Cleaner - 8 cylinder - Ram Air - fixed type - Cobra Jet Engine	203
6688	Speed Control - passenger compartment	204
6689	Speed Control - engine compartment	205
6830	Headlamp, parking, side fender, Fog lamp - GT350/500	206
6831	Rear lamp, back up and license plate - GT350/500	207
6835	Radiator Grille and related parts (GT350/500)	208
6888	Air Cleaner - 8 cylinder - Ram Air - shaker type - Cobra Jet Engine	209
6889	Air Cleaner - Cobra Jet - exc. Ram Air	210
6927	Suspension, Front	211
6980	Hinges - front door upper	212
6981	Hinges - front door lower	213
6984	Engine Oil Cooler System	214
7454	Control Valve Details - 6 cyl.	215
7460	Carburetor - Holley Type, 6 Cylinder 200 C.I.D.	216
7661	Instrument Panel pad and attaching parts	217
7741	Air Conditioner - engine compartment - integral 6 cyl. 200, 250 CID	218
8301	Air Conditioner - passenger compartment - integral	219
8370	Cylinder Block - internal	220
8371	Engine Assembly - 390 CID	221
8372	Engine Assembly - 351 CID	222
8396	Engine assembly, 8 Cylinder 289 C.I.D.	223
	Engine assembly, 8 Cylinder 427 CID	224
	Engine assembly, 6 Cylinder 200, 250 C.I.D.	225
		226

100% SATISFACTION GUARANTEED

BUY IT NOW!

Click Here To Order

PayPal American Express Discover MasterCard VISA

Index, Numerical Order
1968 Mustang Part and Body Illustrations

Number	Description	Page
8975	Instrument Cluster and related parts	227
9198	Water Pump - 8 cyl 390, 428 CID Engine	228
9206	Fender and apron sheet metal - except GT350/500	229
9207	Fender and apron sheet metal - GT350/500	230
9859	Steering Gear Details	231
10675	Auxiliary air spring installation	232
11434	Windshield wiper - wiper motor (2 speed Ford electric)	233
11536	Child safety seat	234
EA-5	Exhaust System, 390-2B, 390-4B GT, 427-4B GT, dual exhaust kit	235
EA-6	Exhaust System, 289-2B, 302-4B, Shelby GT350, dual exhaust kit, GT	236
EA-9	Exhaust System, 428-4B, Shelby GT500, Dual exhaust kit	237
EA-19	Exhaust System, Single - 200-1B	238
EA-20	Exhaust System, 289-2B, 302-4B, single exhaust	239



Index, Alphabetical Order
1968 Mustang Part and Body Illustrations

Description	Number	Page
Accelerator linkage, 6 Cylinder 170, 200 C.I.D. Engines	4466	77
Accelerator linkage, 8 cyl 289 CID Engine	5484	123
Air Cleaner – 6 cylinder	6221	183
Air Cleaner - 8 cylinder - Ram Air - fixed type - Cobra Jet Engine	6619	203
Air Cleaner - 8 cylinder - Ram Air - shaker type - Cobra Jet Engine	6888	209
Air Cleaner - Cobra Jet - exc. Ram Air	6889	210
Air Cleaner - exc. Ram Air	6224	185
Air Cleaner - GT & GTA	6223	184
Air cleaner Hi-Performance, 8 Cylinder 289 C.I.D.	5784	168
Air cleaner oil breather cap , Closed System	4575	89
Air Conditioner - economy hang-on	5712	158
Air Conditioner - engine compartment - hang-on 8 cyl, 289, 302	6485	198
Air Conditioner - engine compartment - hang-on, 8 cyl. 390, 302	6488	199
Air Conditioner - engine compartment - integral 6 cyl. 200, 250	6475	196
Air Conditioner - engine compartment - integral 6 cyl. 200, 250 CID	7741	218
Air Conditioner - engine compartment - integral 8 cyl. 390, 428	5801	172
Air Conditioner - engine compartment - integral, 8 cyl. 302, 351	6476	197
Air Conditioner - passenger compartment - deluxe hang-on	6571	202
Air Conditioner - passenger compartment - integral	5676	157
Air Conditioner - passenger compartment - integral	8301	219
Air conditioner, Compressor (York design)	4382	72
Air conditioner, Compressor (Tecumseh design)	4381	71
Air conditioner, Compressor clutch (integral)	3216	45
Air extractor parts (quarter) - body type 63	5538	132
Alternator (Ford 15 volt - 65 amp)	5394	116
Alternator (Ford 15 volt-38, 42, 45, 55, 60 amp)	4508	84
Alternator (Leece Neville 15 volt-53, 60, 65 amp)	5741	161
Auxiliary air spring installation	10675	232
Back window - body type 63	5629	149
Back window - body type 65	5630	150
Battery Carrier and Related Parts	4459	76
Brake and Clutch Pedals	5513	126
Brake and Clutch Pedals & rear	3906	59
Brake and Clutch Pedals	3703	50
Brake and Clutch Pedals	6218	182

100% SATISFACTION GUARANTEED

BUY IT NOW!

Click Here To Order

PayPal American Express Discover MasterCard VISA

Index, Alphabetical Order
1968 Mustang Part and Body Illustrations

Description	Number	Page
Brake Master Cylinder details	5518	128
Brake, Disc, Drum, and Parking Brake System	5516	127
Bumper - front	5608	138
Bumper - rear	5607	137
Camshaft, gear and bearings	4878	97
Camshaft, gear and bearings, 6 Cylinder 200, 250 C.I.D.	2964	33
Camshaft, gear and bearings, 8 Cylinder 289 C.I.D.	3733	54
Carburetor – Ford 2V, 8 Cylinder 289 C.I.D.	4526	87
Carburetor - Ford 4V - without external accel pump	5457	117
Carburetor – Ford 4V, 8 Cylinder 289 C.I.D.	4527	88
Carburetor – Ford Type, 6 Cylinder 200 C.I.D.	4728	92
Carburetor - Holley 4V	5320	113
Carburetor – Holley 4V, w/o external fuel transfer tube	3231	46
Carburetor – Holley Type, 6 Cylinder 200 C.I.D.	7460	216
Child safety seat	11536	234
Console and related parts	6184	180
Control Valve Details - 6 cyl.	7454	215
Convertible Top, electrical system	5639	154
Cooling System - 390, 427, 428, 429 CID Engine	5723	160
Cooling Systems, 6 & 8 Cyl. Engines	3147	43
Courtesy lamp - door mounted	5637	153
Courtesy lamp – instrument panel mounted	4734	93
Courtesy lamp – quarter panel mounted	4735	94
Crankshaft and flywheel	2488	27
Crankshaft and flywheel, 6 Cylinder 200, 250 C.I.D.	4899	99
Crankshaft and flywheel, 8 Cylinder 289 C.I.D.	3734	55
Cylinder Block - internal	8370	220
Cylinder block and cylinder head, 8 Cylinder 289 C	3767	58
Cylinder block, 6 Cylinder 200, 250 C.I.D.	3088	35
Cylinder Block, 8 Cyl., 352, 390, 427, 428 CID	2881	29
Cylinder Details	4180	65
Cylinder head, valves, and related parts, 8 Cyl.	3727	52
Cylinder head, valves, and related parts, 6 Cyl. (lines)	2961	30
Cylinder head, valves, and related parts, 6 Cyl. (stamped weights)	4924	100
Cylinder head, valves, and related parts, 6 Cyl.	2996	34

100% SATISFACTION GUARANTEED

BUY IT NOW!

Click Here To Order

PayPal American Express Discover MasterCard VISA

Index, Alphabetical Order
1968 Mustang Part and Body Illustrations

Description	Number	Page
Door and Quarter Trim Panels - body type 63	5591	133
Door and Quarter Trim Panels - body type 65	5592	134
Door and Quarter Trim Panels - body type 76	5593	135
Drive Shaft	3144	42
Emission Reduction System, Intake manifold type - open system	4107	62
Emission Reduction System, rocker arm cover type-open system	4592	90
Engine Assembly - 351 CID	8372	222
Engine Assembly - 390 CID	8371	221
Engine Assembly - 427 CID	8397	224
Engine assembly, 6 Cylinder 200, 250 C.I.D.	8398	225
Engine assembly, 8 Cylinder 289 C.I.D.	8396	223
Engine Oil Cooler System	6984	214
Engine Supports - 390 CID Engine	5626	146
Engine Supports, 6 Cylinder 200 C.I.D. Engine	5625	145
Exhaust air supply pump	5009	102
Exhaust System, 289-2B, 302-4B, Shelby GT350, dual exhaust kit, GT	EA-6	236
Exhaust System, 289-2B, 302-4B, single exhaust	EA-20	239
Exhaust System, 390-2B, 390-4B GT, 427-4B GT, dual exhaust kit	EA-5	235
Exhaust System, 428-4B, Shelby GT500, Dual exhaust kit	EA-9	237
Exhaust System, Single - 200-1B	EA-19	238
Exterior Moldings - Body Type 63, 65 (Except GT / CS), 76 Typical	6089	178
Exterior Moldings - Body Type 65 (GT / CS)	6455	193
Fender and apron sheet metal - except GT350/500	9206	229
Fender and apron sheet metal - GT350/500	9207	230
Fog, Lights - except GT350/500	5378	114
Folding top parts – less trim – body type 76	4479	79
Front and rear wheel, hub, & bearing	3118	38
Front seat – full width	4885	98
Front Seat Back Latch	6240	186
Front seats – bucket - body types 63A, 65, and 76A	4455	75
Front Suspension - arms, spindles, springs	4945	101
Fuel Pump - with 4V carb.	3306	47
Floor (floor)	4499	82
Floor (GT350/500)	5627	147
Floor (GT350/500)	5511	125

100% SATISFACTION GUARANTEED

BUY IT NOW!

Click Here To Order

PayPal American Express Discover MasterCard VISA

Index, Alphabetical Order
1968 Mustang Part and Body Illustrations

Description	Number	Page
Headlamp, parking, side fender, Fog lamp - GT350/500	6830	206
Headrest	6241	187
Heater and related parts	5964	176
Hinges – front door lower	6981	213
Hinges - front door upper	6980	212
Hood	5610	140
Instrument Cluster and related parts	8975	227
Instrument Panel	8974	226
Instrument Panel pad and attaching parts	7661	217
Intake manifold & related parts, 8 Cylinder 289 CID Engine	3742	57
Intake manifold type-open system, 8 Cylinder 289 C	4146	63
Jack and spare wheel parts	4596	91
Latch parts (Luggage Compartment)	5634	152
Luggage Compartment Door Latch	6456	194
Map Lamp - roof console	5620	143
Mirror - remote control	5773	167
Oil filters - cartridge type	1246	20
Oil filters - spin-on type	2384	22
Oil Filters - spin-on type and adapter	2486	25
Oil Pump - 390 CID Engine	2476	23
Oil pump, 6 Cylinder 200, 250 C.I.D.	2963	32
Oil pump, 8 Cylinder 260, 289,302,351,400,429,460 C.I.D.	3736	56
Piston and connecting rod, 6 Cyl and 8 Cyl 260, 289,302,351,400,429,460 C.I.D.	3732	53
Piston and connecting rod, 6 Cylinder 200, 250 C.I.D.	3090	37
Piston and connecting rods - 390 CID Engine	2487	26
Radiator Grille and related parts (except GT350/500)	5609	139
Radiator Grille and related parts (GT350/500)	6835	208
Radio and stereo, AM/Stereo tape player, AM/FM multiplex radio & speakers	6539	200
Rear Axle Equa Lock (integral carrier) and Non-Locking (integral carrier)	5796	171
Rear Axle Locking - Equa Lock (separate carrier)	2819	28
Rear Axle Non-Locking (separate carrier)	2130	21
Rear Axle Non-Locking (separate carrier)	6459	195
Rear Axle Non-Locking (separate carrier)	5503	124
Rear Axle Non-Locking (separate carrier)	6831	207

100% SATISFACTION GUARANTEED

BUY IT NOW!

Click Here To Order

PayPal American Express Discover MasterCard VISA

Index, Alphabetical Order
1968 Mustang Part and Body Illustrations

Description	Number	Page
Rear seat fixed - body type 63	5788	170
Rear seat folding - body type 63	5787	169
Rear Window Defogger	6256	188
Rocker arm cover type - 4/B carb. Open system	5302	112
Rocker arm cover type-open system, 6 Cylinder 200	4389	73
Roof side mouldings and weatherstrips – body type 63	4838	95
Roof side mouldings and weatherstrips – body type 65	4478	78
Seat Belt Warning Lamp Installation	5278	111
Seat belts - front and rear seats	5155	104
Sheet Metal - 63 upper body	5468	120
Sheet Metal - 65 upper body	5469	121
Sheet Metal - 76 under body	5467	119
Sheet Metal - 76 upper body	5470	122
Sheet Metal - under body 1967/70 body type 63, 1967/69 body type 65	5466	118
Shock absorber - front	3129	40
Shock absorber - rear	3137	41
Shoulder Harness - front seat	5600	136
Speed Control - engine compartment	6172	179
Speed Control - engine compartment	6689	205
Speed Control - passenger compartment	5613	141
Speed Control - passenger compartment	6688	204
Springs	3125	39
Starter and Drive Assy. – Positive Engagement	3191	44
Starter and Solenoid (Ford 12 volt - positive engagement)	5952	174
Starter Drive (Ford 12 volt – positive engagement)	5526	130
Steering , Power Steering System	5714	159
Steering Column - floor shift - fixed wheel	5770	165
Steering Column - floor shift - tilt wheel	5769	164
Steering Gear Details	9859	231
Steering linkage, Manual	5959	175
Steering Wheel & Horn Ring	6025	177
Steering, Power steering pump details	5615	142
Steering, Power steering pump details	6540	201
Steering, Power steering pump details	6927	211
Steering, Power steering pump details	6426	189

100% SATISFACTION GUARANTEED

BUY IT NOW!

Click Here To Order

PayPal American Express Discover MasterCard VISA

Index, Alphabetical Order
1968 Mustang Part and Body Illustrations

Description	Number	Page
Thermactor emission control system, 8 cyl 289 CID	6434	192
Thermactor emission control system, 8 cyl 302	6433	191
Thermostatic choke control	4177	64
Thermostatic Choke Control	5633	151
Thermostatic Choke Control System	6432	190
Transmission Automatic, bushings	4862	96
Transmission Automatic, Shift control selector mechanism, Automatic	5771	166
Transmission Automatic, Vacuum throttle valve, lines and fittings - typical	3627	49
Transmission C4 Type, Case, converter assy., extension, pump - typical	4326	66
Transmission C4 Type, Clutches, gears, shafts, rear support - typical	4327	67
Transmission C4 Type, Main control valve body assy. (Basic 7A100) - typical	4507	83
Transmission C4 Type, Parking pawl, throttle and manual control linkage - typical	4330	70
Transmission C4 Type, Servo and band, front - typical	4328	68
Transmission C4 Type, Servo and band, rear - typical	4329	69
Transmission C6 Type, Case, converter assy., extension, pump - typical	5172	105
Transmission C6 Type, Clutches, gears, shafts - typical	5173	106
Transmission C6 Type, Main control valve body assy. (Basic 7A100) - typical	5176	108
Transmission C6 Type, Parking pawl, throttle and manual control linkage - typical	5191	109
Transmission C6 Type, Servo and band - typical	5174	107
Transmission Oil cooling system, automatic - typical	5381	115
Transmission, Manual, 3 Speed manual trans 3.03 type	4012	60
Transmission, Manual, 3 speed trans, Gear shift mechanism - console or floor	4516	85
Transmission, Manual, Ford 4 speed	4424	74
Transmission, Manual, Ford 4 speed, Gear shift mechanism - console or floor	5810	173
Turn indicator - hood mounted	5651	155
Valve - exhaust thermostat control - arm type counterweight	3474	48
Valve - exhaust thermostat control - wheel type counterweight	5227	110
Valves, push rods and rocker arm cover, 6 Cyl and 8 Cyl 260, 289,302,351,400,429,460	3726	51
Valves, push rods and rocker arm cover, 6 Cylinder	3089	36
Valves, push rods, and rocker arm cover - 390 CID Engine	2485	24
	4020	61
	5525	129
	5652	156



BUY IT NOW!

Click Here To Order



Index, Alphabetical Order
1968 Mustang Part and Body Illustrations

Description	Number	Page
Water Pump - 8 cyl 390, 428 CID Engine	9198	228
Water Pumps, 6 cyl. - 200, 250 engines	2962	31
Water Pumps, 8 cyl. - 289, 302, 351W engine (with cover)	5143	103
Window parts (front door)	5628	148
Window parts (quarter) - body types 65, 76	5537	131
Windshield – body type 76	4492	81
Windshield – body types 63, 65	4491	80
Windshield Wiper	4524	86
Windshield wiper	5624	144
Windshield wiper - wiper motor (2 speed Ford electric)	11434	233
Wiring System (page A)	5749-A	162
Wiring System (page B)	5749-B	163
Wiring System, Instrument panel	6206	181





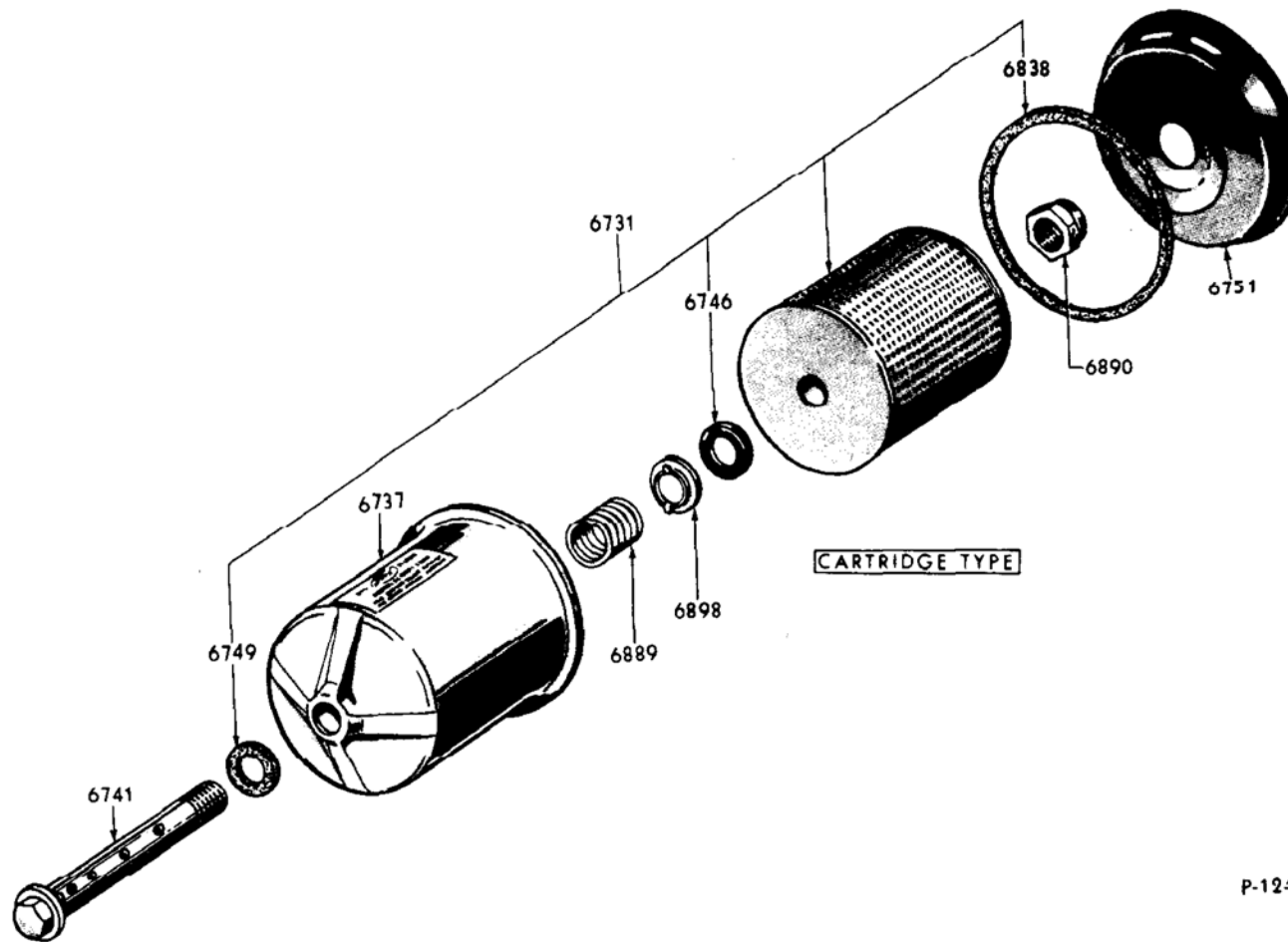




100% SATISFACTION GUARANTEED

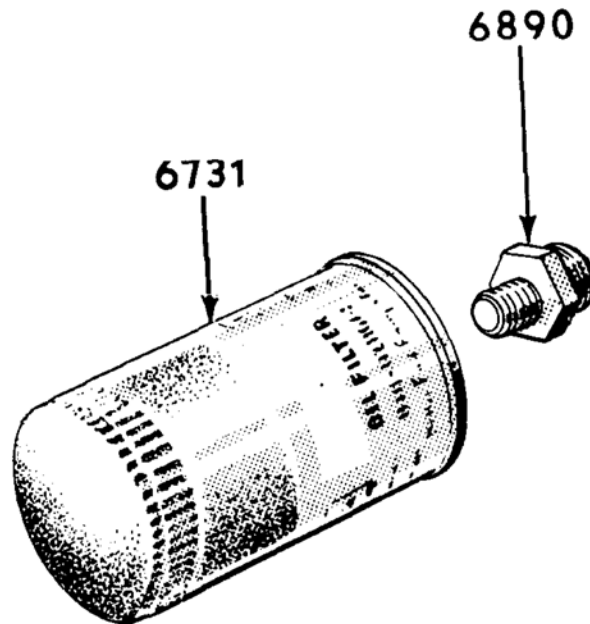
BUY IT NOW!

Click Here To Order



P-1246

ENGINE FILER AND RELATED PARTS - CARTRIDGE TYPE - TYPICAL
1965 / 72 6 CYLINDER 170, 200, 240, 250 AND 8 CYLINDER 260, 289, 302 AND 351



P-2384

ENGINE FILTER AND RELATED PARTS - SPIN-ON TYPE - TYPICAL

1965 / 72 6 CYLINDER 170, 200, 240, 250 AND 8 CYLINDER 260, 289, 302, 351, 352, 390, 400, 427, 428, 429 AND 460



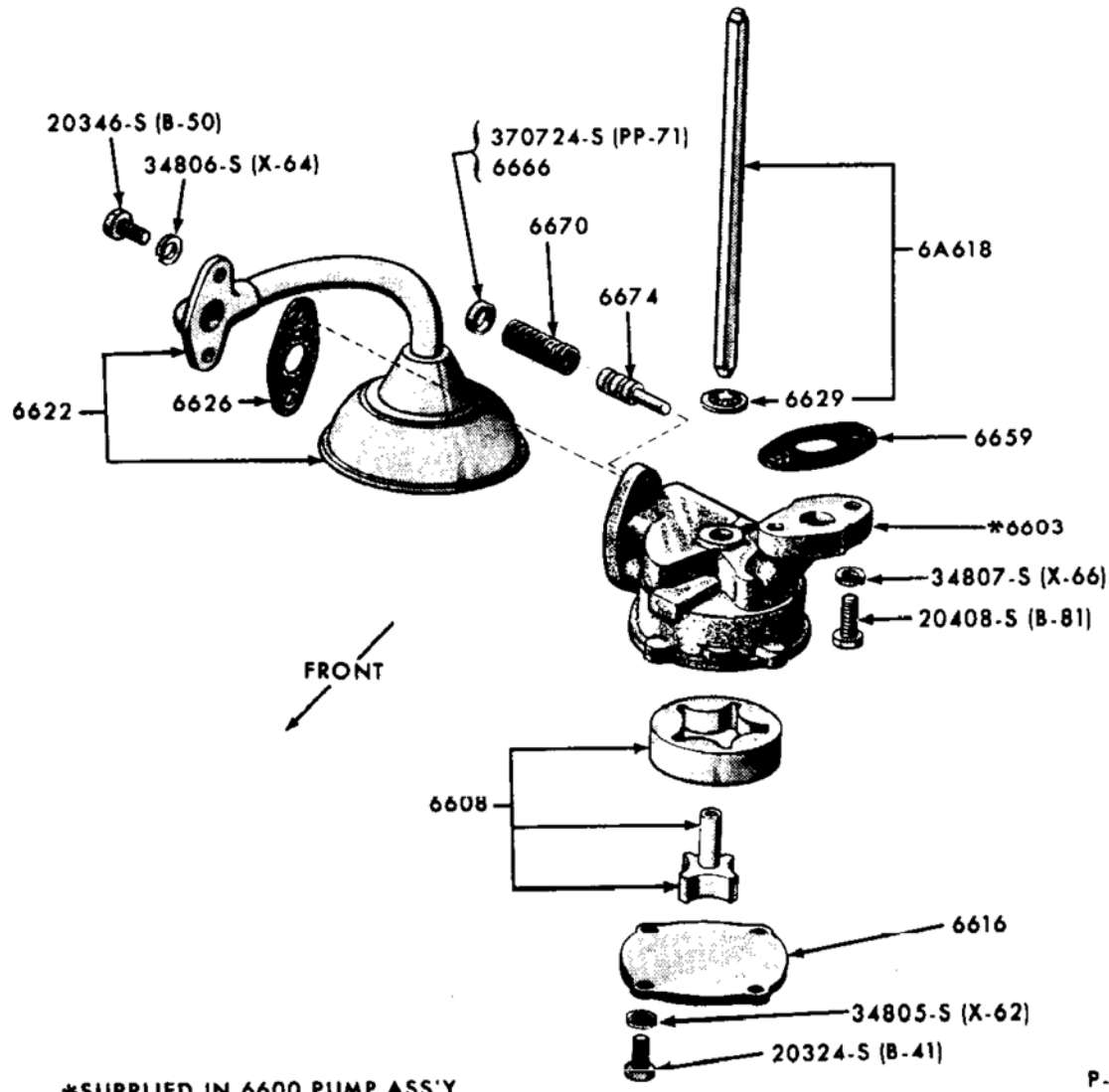




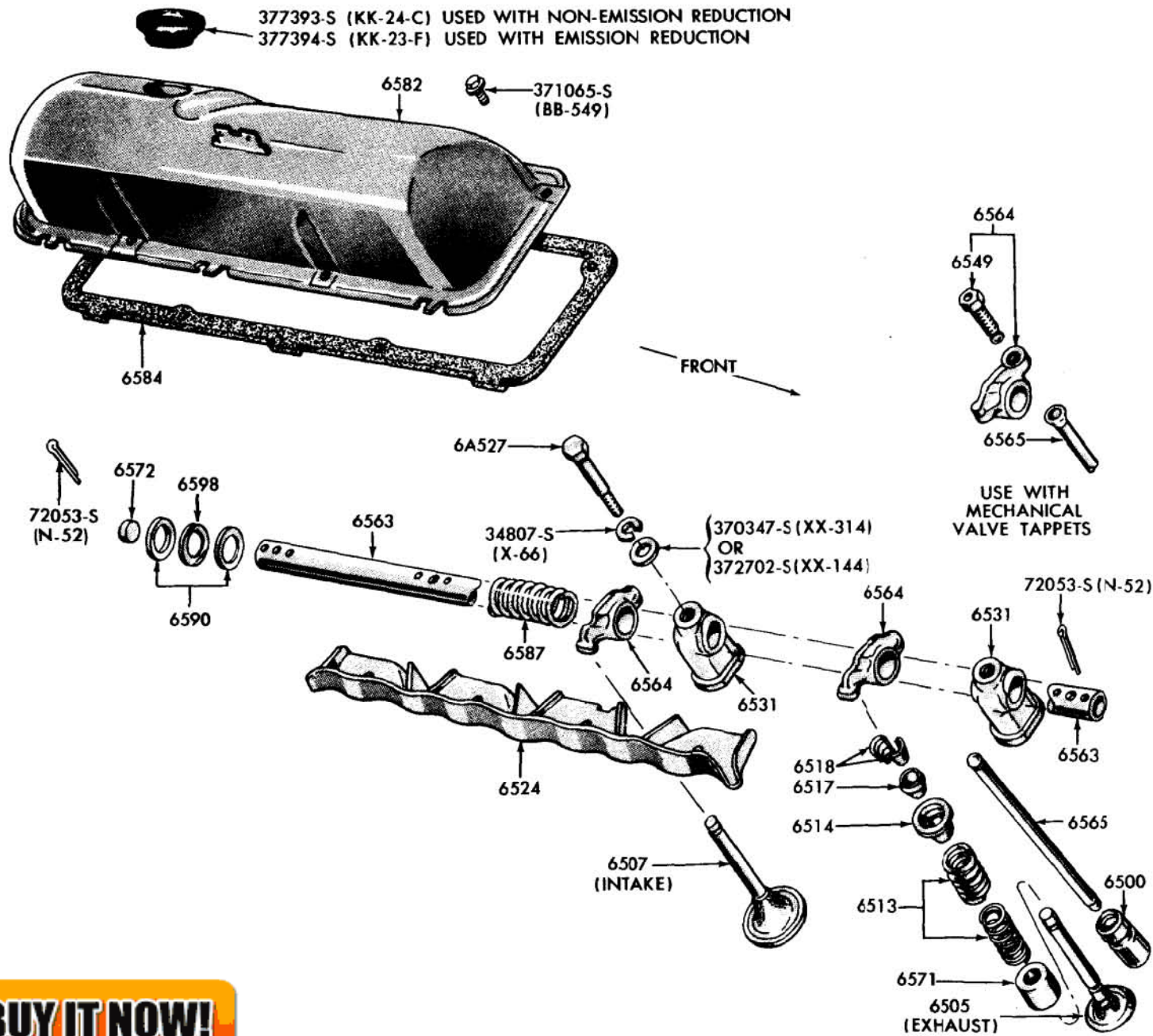
100% SATISFACTION GUARANTEED

BUY IT NOW!

Click Here To Order



ENGINE OIL PUMP AND RELATED PARTS -- TYPICAL
1965 / 71 8 CYLINDER 352, 390, 427 AND 428



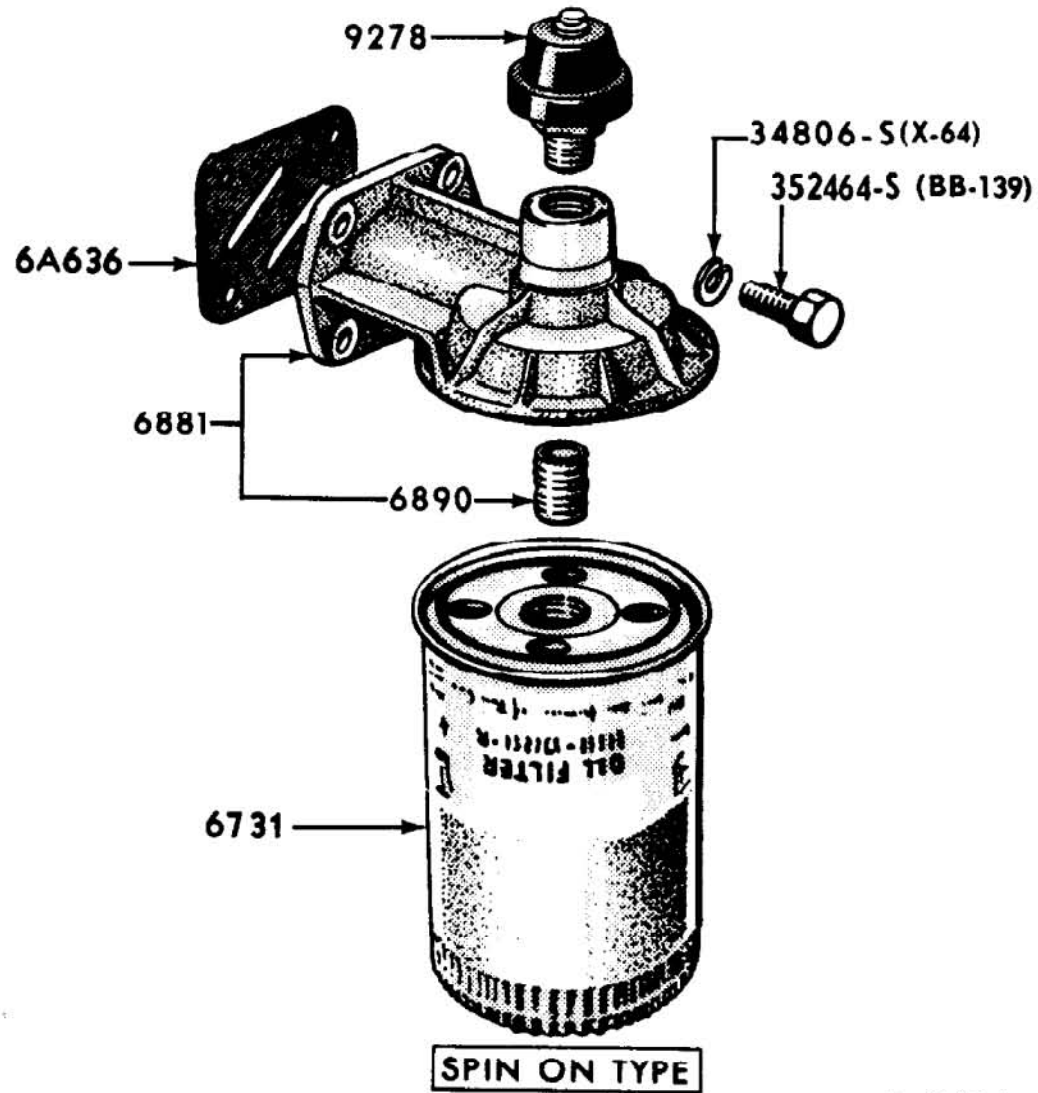
100% SATISFACTION GUARANTEED

BUY IT NOW!

Click Here To Order

PayPal American Express Discover/Novus MasterCard VISA

VALVES, PUSH RODS, ROCKER ARM COVER AND RELATED PARTS - TYPICAL
 1965 / 71 8 CYLINDER 352, 390, 427 AND 428



P-2486

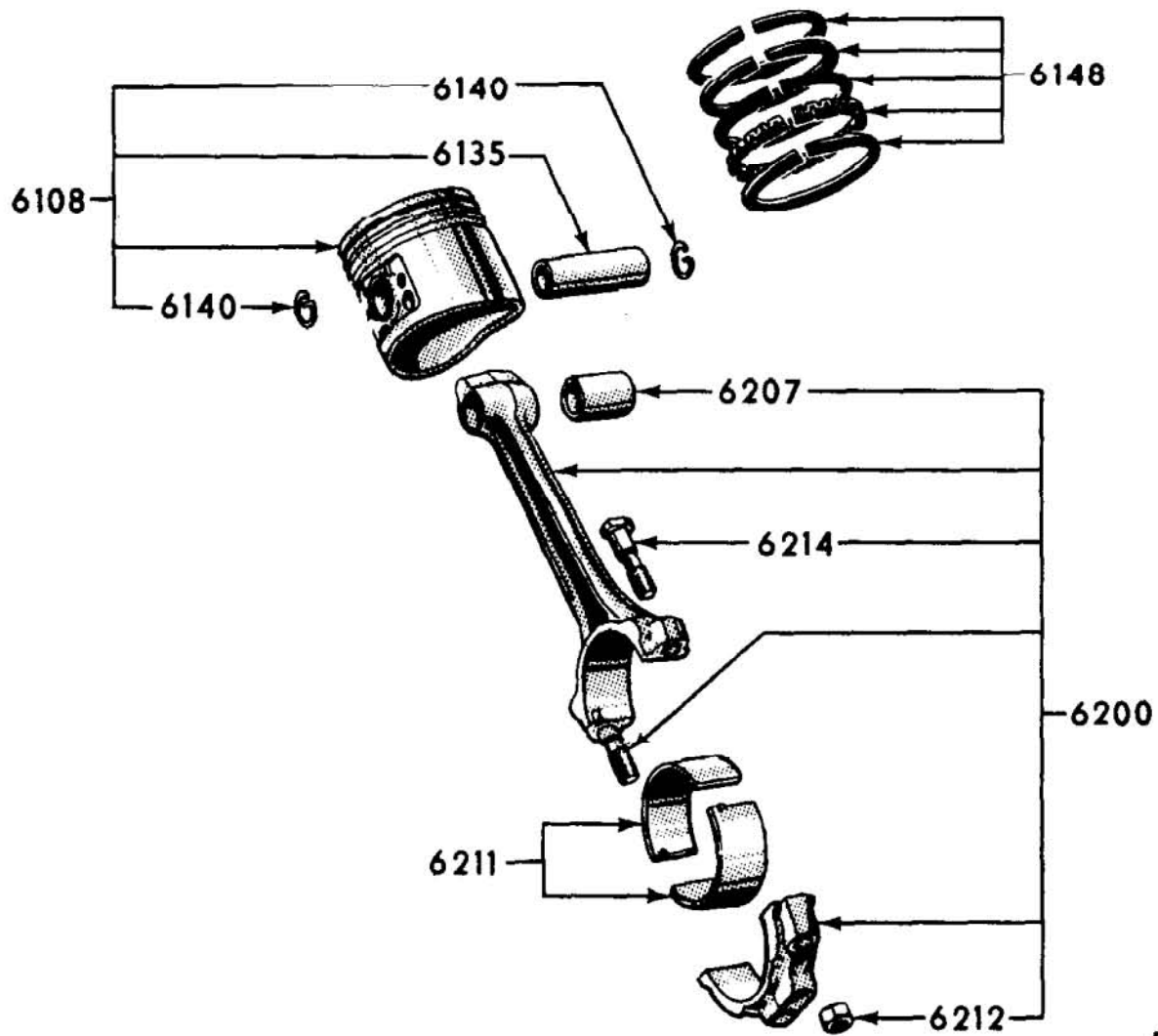
100% SATISFACTION GUARANTEED

BUY IT NOW!

Click Here To Order

PayPal American Express Discover MasterCard VISA

ENGINE OIL FILTER, ADAPTER AND RELATED PARTS - TYPICAL
1965/ 8 CYLINDER 352, 390, 400, 427, 428 AND 429



P-2487

100% SATISFACTION GUARANTEED

BUY IT NOW!

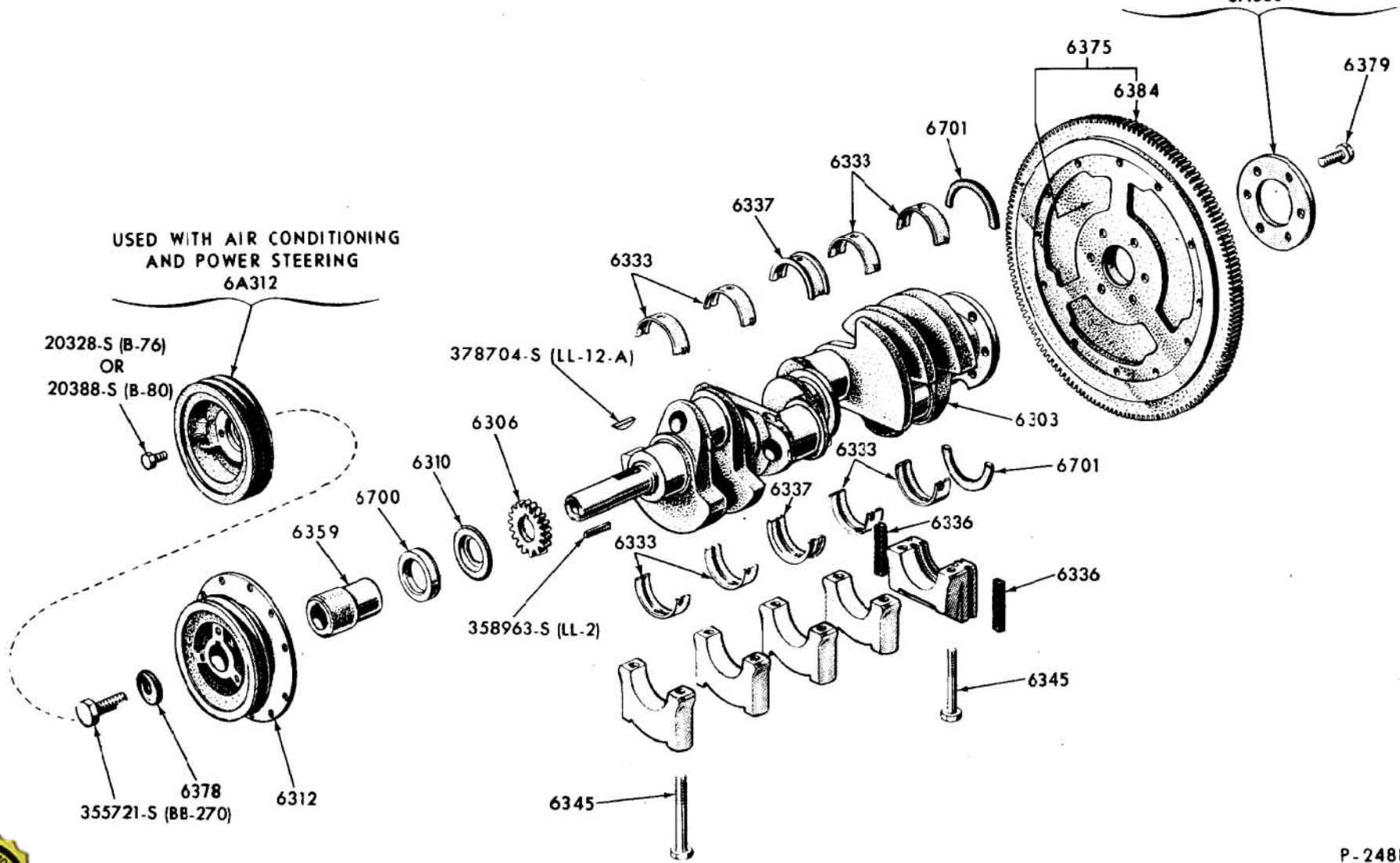
Click Here To Order

PayPal | American Express | Discover | MasterCard | VISA

ENGINE PISTON, CONNECTION ROD AND RELATED PARTS - TYPICAL
1965 / 71 8 CYLINDER 352, 390, 427, AND 428

USED WITH
F/M, F/M2, AND C/M
TRANSMISSIONS ONLY
6A366

USED WITH AIR CONDITIONING
AND POWER STEERING
6A312



P-2488

100% SATISFACTION GUARANTEED

BUY IT NOW!

Click Here To Order

PayPal American Express Discover MasterCard VISA

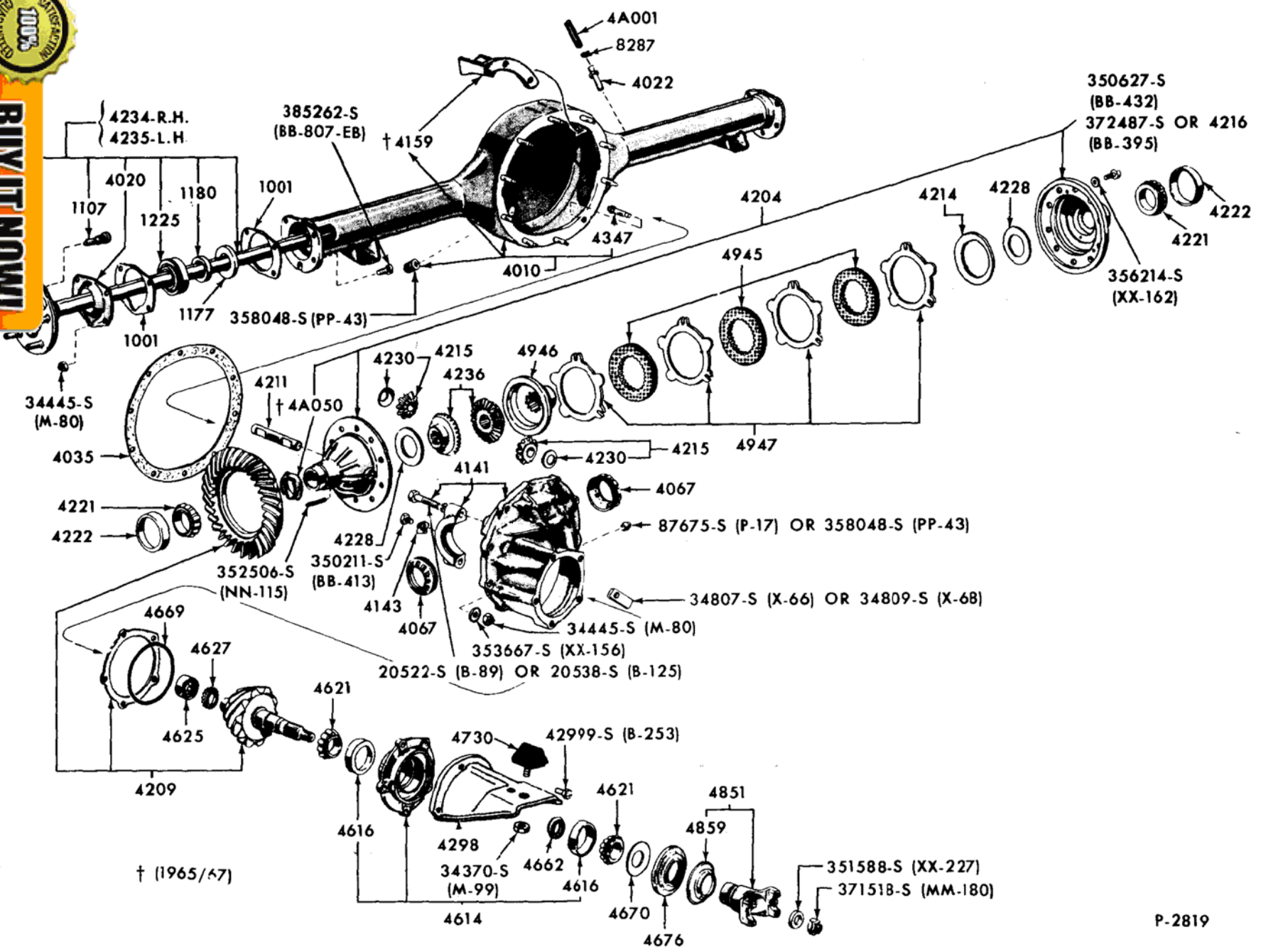
CRANKSHAFT, FLYWHEEL AND RELATED PARTS - TYPICAL
1965 / 71 8 CYLINDER 352, 390, 427 AND 428







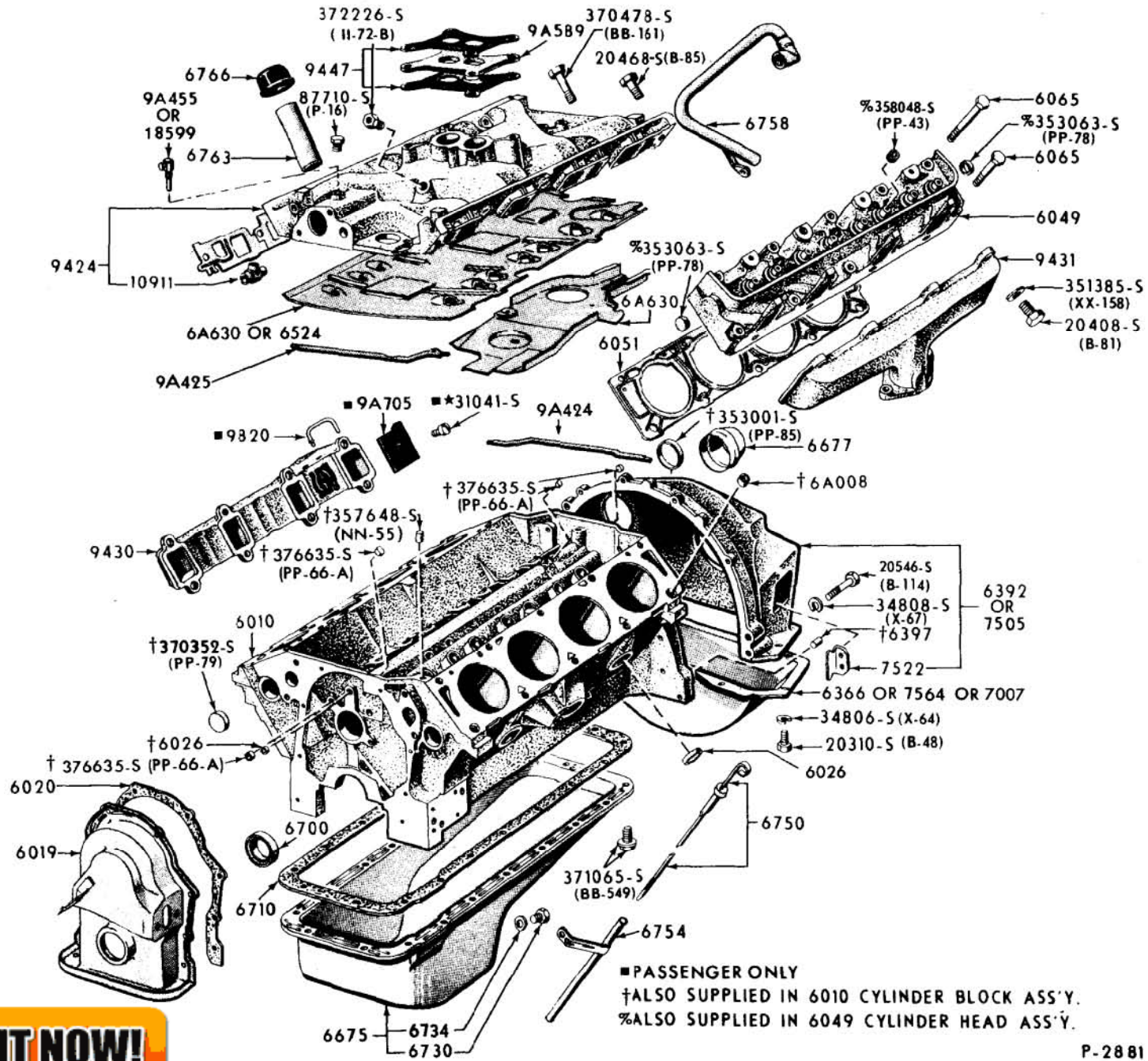
100% SATISFACTION GUARANTEED
BUY IT NOW!
 Click Here To Order



P-2819

REAR AXLE - LOCKING (EQUA LOCK) WITH SEPARATE CARRIER - TYPICAL
7 3/4", 8", 8 3/4", 9" RING GEAR

1966 /69 BRONCO, 1965 / 70 FALCON, 1965 / 68 FAIRLANE/TORINO, MUSTANG, 1965 / 69 FORD, 1965 / 67 THUNDERBIRD



P-2881

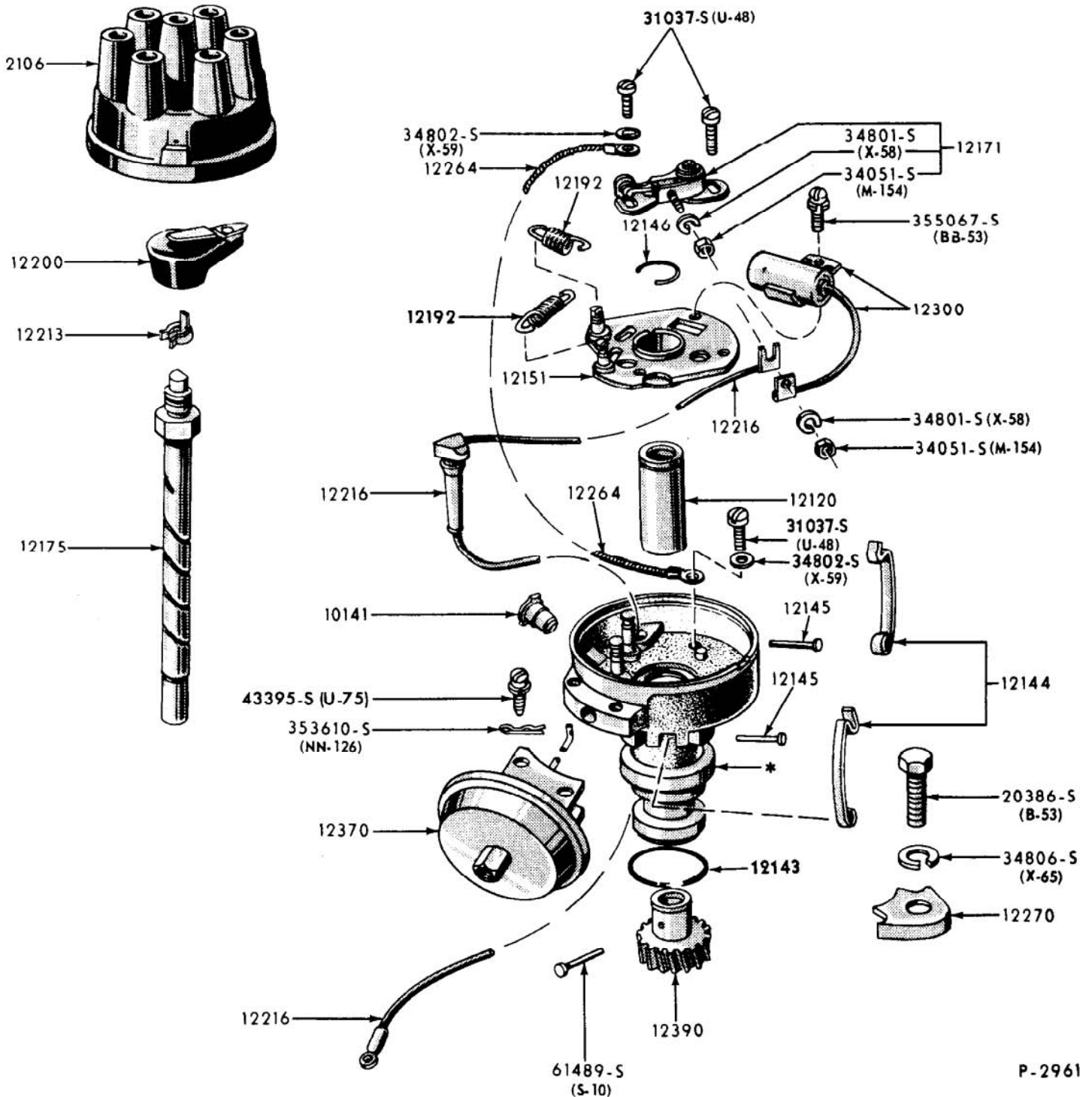

BUY IT NOW!
 Click Here To Order







CYLINDER BLOCK AND RELATED PARTS
CYLINDER 352, 390, 427 AND 428 ENGINES TYPICAL
 1965 / 71



P-2961

BUY IT NOW!
 Click Here To Order

DISTRIBUTOR
 5 / 69 6 CYLINDER 170, 200 ENGINES