

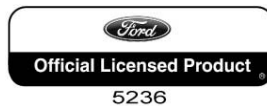


Copyright © 2009, Forel Publishing Company, LLC, Woodbridge, Virginia

All Rights Reserved. No part of this book may be used or reproduced in any manner whatsoever without written permission of Forel Publishing Company, LLC. For information write to Forel Publishing Company, LLC, 3999 Peregrine Ridge Ct., Woodbridge, VA 22192

1967 Mustang Part and Body Illustrations  
EAN: 978-1-60371-035-0  
ISBN: 1-60371-035-3

*Forel Publishing Company, LLC*  
*3999 Peregrine Ridge Ct.*  
*Woodbridge, VA 22192*  
*Email address: [webmaster@ForelPublishing.com](mailto:webmaster@ForelPublishing.com)*  
*Website: <http://www.ForelPublishing.com>*



This publication contains material that is reproduced and distributed under a license from Ford Motor Company. No further reproduction or distribution of the Ford Motor Company material is allowed without the express written permission of Ford Motor Company.

---

## Note from the Editor

This product was compiled using original Ford Motor Company publications. The contents of this product were extracted from: 1965/72 Ford Car Master Parts and Accessory Catalog (FP-7635- A and FP-7635- B).

---

## Disclaimer

Although every effort was made to ensure the accuracy of this book, no representations or warranties of any kind are made concerning the accuracy, completeness or suitability of the information, either expressed or implied. As a result, the information contained within this book should be used as general information only. The author and Forel Publishing Company, LLC shall have neither liability nor responsibility to any person or entity with respect to any loss or damage caused, or alleged to be caused, directly or indirectly by the information contained in this book. Further, the publisher and author are not engaged in rendering legal or other professional services. If legal, mechanical, electrical, or other expert assistance is required, the services of a competent professional should be sought.

---



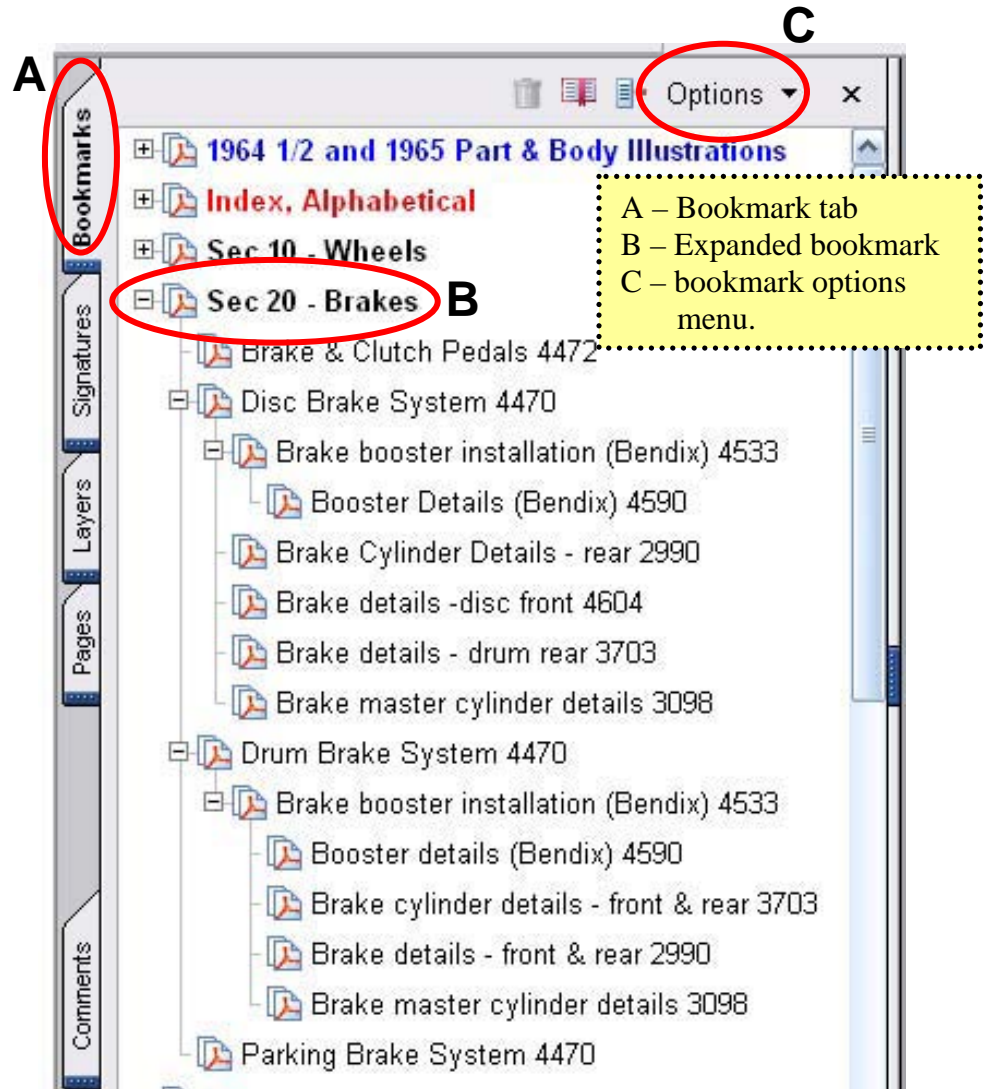
## Navigating with bookmarks

This manual is primarily organized using “bookmarks”. Bookmarks are found on the left side of the screen and allow the user to navigate directly to a specific location within the document.

To browse using a bookmark:

1. Click the Bookmarks tab on the left side of the window, or choose view>Navigation Tabs>Bookmarks to display bookmarks.
2. To jump to a topic using its bookmark, click the bookmark. Click the plus sign (+) next to a parent bookmark to expand it. Click the minus sign (-) next to a bookmark to hide its children.

Note: Clicking a bookmark might perform an action instead of taking you to another location. It depends on how the bookmark was defined. For example, a hyperlinked bookmark could take you to a website.



If the list of bookmarks disappears when you click a bookmark, click the Bookmarks tab to display the list again. If you want the Bookmarks tab to always remain open after you click a menu at the top of the Bookmarks panel, and make sure Hide After



## Basic Manual Organization

---

This manual is organized in three ways: **Illustration Number, Groupings by Sections** and **Alphabetical**.

### Illustration Number:

Each illustration has its own illustration number. For example, the illustration for Brake & Clutch Pedals is illustration number “P-4472” and the illustration for the Brake Cylinder Details is “P-2990”. The pages of this book are arranged in illustration number order. Therefore, illustration 4473 would follow 2990.

**Note:** Illustrations are in numerical, not alphabetical order.

### Groupings by Sections:

The grouping of diagrams by “section” is similar to how the Ford Motor Company originally organized its Master Parts and Accessories Catalog which contained both illustrations and part numbers to identify parts. For example, **Section 20 – Brakes** groups most brake related parts for this vehicle.

This manual uses bookmarks to follow that same organization and uses the same terms Ford used to identify the diagrams. In addition, the diagram number has been added to the end of the description. For example, **“Disc Brake System 4470”** is the basic name of the diagram and the diagram number is 4470. For the bookmarks and index’s in this manual, the “P-“ has been omitted.

#### Sec 20 - Brakes

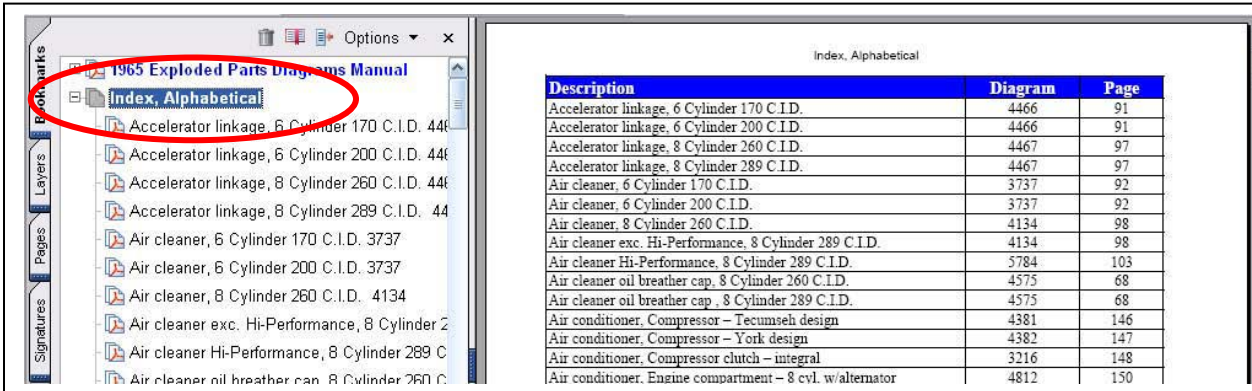
Brake & Clutch Pedals 4472  
Disc Brake System 4470  
    Brake booster installation (Bendix) 4533  
        Booster Details (Bendix) 4590  
Brake Cylinder Details - rear 2990  
Brake details -disc front 4604  
Brake details - drum rear 3703  
Brake master cylinder details 3098  
Drum Brake System 4470  
    Brake booster installation (Bendix) 4533  
        Booster details (Bendix) 4590  
    Brake cylinder details - front & rear 2990  
    Brake details - front & rear 2990  
    Brake master cylinder details 3098  
Parking Brake System 4470

The grouping of diagrams by number is useful in finding most diagrams related to a major group.



## Alphabetical:

The alphabetical listing is a simple alphabetized listing of all diagrams. In some cases, if the diagram contained more than one major component, the diagram may be identified more than once. Expand the “Index, Alphabetical” bookmark to view details. The associated page contains the description, diagram number and page number for easy reference.



Index, Alphabetical

Description	Diagram	Page
Accelerator linkage, 6 Cylinder 170 C.I.D.	4466	91
Accelerator linkage, 6 Cylinder 200 C.I.D.	4466	91
Accelerator linkage, 8 Cylinder 260 C.I.D.	4467	97
Accelerator linkage, 8 Cylinder 289 C.I.D.	4467	97
Air cleaner, 6 Cylinder 170 C.I.D.	3737	92
Air cleaner, 6 Cylinder 200 C.I.D.	3737	92
Air cleaner, 8 Cylinder 260 C.I.D.	4134	98
Air cleaner exc. Hi-Performance, 8 Cylinder 289 C.I.D.	4134	98
Air cleaner Hi-Performance, 8 Cylinder 289 C.I.D.	5784	103
Air cleaner oil breather cap, 8 Cylinder 260 C.I.D.	4575	68
Air cleaner oil breather cap, 8 Cylinder 289 C.I.D.	4575	68
Air conditioner, Compressor – Tecumseh design	4381	146
Air conditioner, Compressor – York design	4382	147
Air conditioner, Compressor clutch – integral	3216	148
Air conditioner, Engine compartment – 8 cyl. w/alternator	4812	150

**Note:** Illustrations are in numerical, not alphabetical order.



**100% SATISFACTION GUARANTEED**

**BUY IT NOW!**

**Click Here To Order**

PayPal American Express Discover MasterCard VISA

Index, Numerical Order  
1967 Mustang Part and Body Illustrations

Number	Description	Page
1246	Oil filters - cartridge type	20
2130	Rear Axle Non-Locking (separate carrier)	21
2384	Oil filters - spin-on type	22
2476	Oil Pump - 390 CID Engine	23
2485	Valves, push rods, and rocker arm cover - 390 CID Engine	24
2486	Oil Filters - spin-on type and adapter	25
2487	Piston and connecting rods - 390 CID Engine	26
2488	Crankshaft and flywheel	27
2819	Rear Axle Locking - Equa Lock (separate carrier)	28
2881	Cylinder Block, 8 Cyl., 352, 390, 427, 428 CID	29
2926	Distributor (8 cylinder - Pivot Plate type-exc. With stamped weights)	30
2961	Distributor (6 cylinder 200 engines)	31
2962	Water Pumps, 6 cyl. - 200, 250 engines	32
2963	Oil pump, 6 Cylinder 200, 250 C.I.D.	33
2964	Camshaft, gear and bearings, 6 Cylinder 200, 250 C.I.D.	34
2996	Dome lamp	35
3088	Cylinder block, 6 Cylinder 200, 250 C.I.D.	36
3089	Valves, push rods and rocker arm cover, 6 Cylinder	37
3090	Piston and connecting rod, 6 Cylinder 200, 250 C.I.D.	38
3118	Front and rear wheel, hub, & bearing	39
3125	Springs	40
3129	Shock absorber - front	41
3137	Shock absorber - rear	42
3144	Drive Shaft	43
3147	Cooling Systems, 6 & 8 Cyl. Engines	44
3191	Starter and Drive Assy. – Positive Engagement	45
3216	Air conditioner, Compressor clutch (integral)	46
3306	Fuel Pump - with 4V carb.	47
3474	Valve - exhaust thermostat control - arm type counterweight	48
3627	Transmission Automatic, Vacuum throttle valve, lines and fittings - typical	49
3703	Brake details - drum rear	50
	rods and rocker arm cover, 6 Cyl and 8 Cyl 260,	51
	, valves, and related parts, 8 Cyl.	52
	connecting rod, 6 Cyl and 8 Cyl 260, 20,429,460 C.I.D.	53



**BUY IT NOW!**

**Click Here To Order**



Index, Numerical Order  
1967 Mustang Part and Body Illustrations

Number	Description	Page
3733	Camshaft, gear and bearings, 8 Cylinder 289 C.I.D.	54
3734	Crankshaft and flywheel, 8 Cylinder 289 C.I.D.	55
3736	Oil pump, 8 Cylinder 260, 289,302,351,400,429,460 C.I.D.	56
3737	Air cleaner, 6 Cylinder 200 C.I.D.	57
3742	Intake manifold & related parts, 8 Cylinder 289 CID Engine	58
3767	Cylinder block and cylinder head, 8 Cylinder 289 C	59
3843	Alternator (Leece Neville 15 volt-60, 65 amp)	60
3849	Alternator (Leece Neville 15 volt-40, 53 amp)	61
3906	Brake Cylinder Details - front & rear	62
4012	Transmission, Manual, 3 Speed manual trans 3.03 type	63
4020	Ventilating ducts	64
4134	Air cleaner exc. Hi-Performance, 8 Cylinder	65
4146	Intake manifold type-open system, 8 Cylinder 289 C	66
4177	Thermostatic choke control	67
4180	Cylinder Details	68
4326	Transmission C4 Type, Case, converter assy., extension, pump - typical	69
4327	Transmission C4 Type, Clutches, gears, shafts, rear support - typical	70
4328	Transmission C4 Type, Servo and band, front - typical	71
4329	Transmission C4 Type, Servo and band, rear - typical	72
4330	Transmission C4 Type, Parking pawl, throttle and manual control linkage - typical	73
4381	Air conditioner, Compressor (Tecumseh design)	74
4382	Air conditioner, Compressor ( York design)	75
4389	Rocker arm cover type-open system, 6 Cylinder 200	76
4424	Transmission, Manual, Ford 4 speed	77
4455	Front seats – bucket - body types 63A, 65, and 76A	78
4459	Battery Carrier and Related Parts	79
4466	Accelerator linkage, 6 Cylinder 170, 200 C.I.D. Engines	80
4478	Roof side mouldings and weatherstrips – body type 65	81
4479	Folding top parts – less trim – body type 76	82
4491	Windshield – body types 63, 65	83
4492	Windshield – body type 76	84
		85
	C4 Type, Main control valve body assy. (Basic 7A100)	86



**BUY IT NOW!**

**Click Here To Order**



Index, Numerical Order  
1967 Mustang Part and Body Illustrations

Number	Description	Page
4508	Alternator (Ford 15 volt-38, 42, 45, 55, 60 amp)	87
4516	Transmission, Manual, 3 speed trans, Gear shift mechanism - console or floor mtd	88
4524	Windshield Wiper	89
4526	Carburetor – Ford 2V, 8 Cylinder 289 C.I.D.	90
4527	Carburetor – Ford 4V, 8 Cylinder 289 C.I.D.	91
4575	Air cleaner oil breather cap , Closed System	92
4592	Emission Reduction System, rocker arm cover type-open system	93
4596	Jack and spare wheel parts	94
4604	Brake details -disc front	95
4728	Carburetor – Ford Type, 6 Cylinder 200 C.I.D.	96
4734	Courtesy lamp – instrument panel mounted	97
4735	Courtesy lamp – quarter panel mounted	98
4838	Roof side mouldings and weatherstrips – body type 63	99
4862	Transmission Automatic, bushings	100
4878	Camshaft, gear and bearings	101
4885	Front seat – full width	102
4899	Crankshaft and flywheel, 6 Cylinder 200, 250 C.I.D.	103
4924	Distributor (8 cylinder – with stamped weights)	104
4945	Front Suspension - arms, spindles, springs	105
5009	Exhaust air supply pump	106
5143	Water Pumps, 8 cyl. - 289, 302, 351W engine (with cover)	107
5155	Seat belts - front and rear seats	108
5172	Transmission C6 Type, Case, converter assy., extension, pump - typical	109
5173	Transmission C6 Type, Clutches, gears, shafts - typical	110
5174	Transmission C6 Type, Servo and band - typical	111
5176	Transmission C6 Type, Main control valve body assy. (Basic 7A100) - typical	112
5191	Transmission C6 Type, Parking pawl, throttle and manual control linkage - typical	113
5209	Air Conditioner - engine compartment - hang-on 6 cyl.	114
5227	Valve - exhaust thermostat control - wheel type counterweight	115
5278	Seat Belt Warning Lamp Installation	116
	over type - 4/B carb. Open system	117
	olley 4V	118



**BUY IT NOW!**

**Click Here To Order**



Index, Numerical Order  
1967 Mustang Part and Body Illustrations

Number	Description	Page
5341	Thermactor emission control system - exc. Intake	119
5343	Thermactor emission control system - exc. Intake manifold type	120
5378	Fog, Lights - except GT350/500	121
5381	Transmission Oil cooling system, automatic - typical	122
5392	Headrest	123
5394	Alternator (Ford 15 volt - 65 amp)	124
5457	Carburetor - Ford 4V - without external accel pump	125
5466	Sheet Metal - under body 1967/70 body type 63, 1967/69 body type 65	126
5467	Sheet Metal - 76 under body	127
5468	Sheet Metal - 63 upper body	128
5469	Sheet Metal - 65 upper body	129
5470	Sheet Metal - 76 upper body	130
5484	Accelerator linkage, 8 cyl 289 CID Engine	131
5503	Rear lamp, back up and license plate - except GT350/500	132
5511	Headlamp and parking - except GT350/500	133
5513	Brake and Clutch Pedals	134
5516	Brake, Disc, Drum, and Parking Brake System	135
5518	Brake Master Cylinder details	136
5525	Voltage Regulator (Ford 15 volt, negative ground)	137
5526	Starter Drive (Ford 12 volt – positive engagement)	138
5537	Window parts (quarter) - body types 65, 76	139
5538	Air extractor parts (quarter) - body type 63	140
5539	Console, center and related parts	141
5541	Exterior Moldings - all	142
5591	Door and Quarter Trim Panels - body type 63	143
5592	Door and Quarter Trim Panels - body type 65	144
5593	Door and Quarter Trim Panels - body type 76	145
5600	Shoulder Harness - front seat	146
5607	Bumper - rear	147
5608	Bumper - front	148
5609	Radiator Grille and related parts (except GT350/500)	149
		150
	- passenger compartment	151
	- engine compartment	152



**BUY IT NOW!**

**Click Here To Order**



Index, Numerical Order  
1967 Mustang Part and Body Illustrations

Number	Description	Page
5615	Steering, Power steering pump details	153
5620	Map Lamp - roof console	154
5622	Steering Column - tilt wheel	155
5624	Windshield wiper	156
5625	Engine Supports, 6 Cylinder 200 C.I.D. Engine	157
5626	Engine Supports - 390 CID Engine	158
5627	Handles and latch parts (front door)	159
5628	Window parts (front door)	160
5629	Back window - body type 63	161
5630	Back window - body type 65	162
5633	Thermostatic choke control	163
5634	Latch parts (Luggage Compartment)	164
5637	Courtesy lamp - door mounted	165
5639	Convertible Top, electrical system	166
5651	Turn indicator - hood mounted	167
5652	Warning Indicator Panel Installation	168
5676	Air Conditioner - passenger compartment - integral	169
5680	Air Conditioner - vacuum hoses integral 6 cyl., 8 cyl 289 and 390	170
5687	Air Conditioner - engine compartment - integral 8 cyl. 289	171
5688	Air Conditioner - engine compartment - integral 6 cyl.	172
5691	Air Conditioner - engine compartment - hang-on 8 cyl. 289	173
5692	Air Conditioner - engine compartment - hang-on 8 cyl. 390, 428	174
5710	Steering Column, Floor Shift - Fixed Wheel	175
5712	Air Conditioner - economy hang-on	176
5714	Steering , Power Steering System	177
5723	Cooling System - 390, 427, 428, 429 CID Engine	178
5725	Carburetor – Carter Type, 6 Cylinder 200 C.I.D.	179
5741	Alternator (Leece Neville 15 volt-53, 60, 65 amp)	180
5746	Steering Wheel and horn ring - except wood grain	181
5747	Steering Wheel and horn ring - wood grain	182
5749-A	Wiring System (page A)	183
5749-B	Wiring System (page B)	184
	Radio - Radio (AM) with stereo tape player & speakers - and-on	185
	Radio - multiplex adapter for AM/FM radio	186



**BUY IT NOW!**

**Click Here To Order**



Index, Numerical Order  
1967 Mustang Part and Body Illustrations

Number	Description	Page
5767	Front seats – bucket - body types 63B, 65B, and 76B	187
5771	Transmission Automatic, Shift control selector mechanism, Automatic	188
5773	Mirror - remote control	189
5784	Air cleaner Hi-Performance, 8 Cylinder 289 C.I.D.	190
5785	Air Cleaner - 4V GT & GTA	191
5787	Rear seat folding - body type 63	192
5788	Rear seat fixed - body type 63	193
5796	Rear Axle Equa Lock (integral carrier) and Non-Locking (integral carrier)	194
5801	Air Conditioner - engine compartment - integral 8 cyl. 390, 428	195
5807	Thermactor emission control system - exc. Hi-performance	196
5810	Transmission, Manual, Ford 4 speed, Gear shift mechanism - console or floor mtd	197
5959	Steering linkage, Manual	198
5964	Heater and related parts	199
6172	Speed Control - engine compartment	200
6206	Wiring System, Instrument panel	201
6432	Thermactor emission control system	202
6619	Air Cleaner, Cobra Jet - Ram Air - fixed type	203
6830	Headlamp, parking, side fender, Fog lamp - GT350/500	204
6831	Rear lamp, back up and license plate - except GT350/500	205
6835	Radiator Grille and related parts (GT350/500)	206
6888	Air Cleaner, Cobra Jet - Ram Air - shaker type	207
6889	Air Cleaner, Cobra Jet - except Ram Air	208
6980	Hinges - front door upper	209
6981	Hinges – front door lower	210
6984	Engine Oil Cooler System	211
7454	Control Valve Details - 6 cyl.	212
7460	Carburetor – Holley Type, 6 Cylinder 200 C.I.D.	213
7661	Instrument Panel pad and attaching parts	214
8396	Engine assembly, 8 Cylinder 289 C.I.D.	215
8397	Engine Assembly - 390 CID Engine	216
	Assembly, 6 Cylinder 200, 250 C.I.D.	217
	Panel	218
	Heater and related parts	219



**BUY IT NOW!**

**Click Here To Order**



Index, Numerical Order  
1967 Mustang Part and Body Illustrations

Number	Description	Page
9198	Water Pump - 8 cyl 390, 428 CID Engine	220
9206	Fender and apron sheet metal - except GT350/500	221
9207	Fender and apron sheet metal - GT350/500	222
9859	Steering Gear Details	223
10675	Auxiliary air spring installation	224
11434	Windshield wiper - wiper motor (2 speed Ford electric)	225
11536	Child safety seat	226
EA-7	Exhaust System, Dual - 289-2B, 289-4B High Performance and Shelby GT350, 390-4B	227
EA-8	Exhaust System, Single - 289-2B	228
EA-18	Exhaust System, Single - 200-1B	229



Index, Alphabetical Order  
1967 Mustang Part and Body Illustrations

Description	Number	Page
Accelerator linkage, 6 Cylinder 170, 200 C.I.D. Engines	4466	80
Accelerator linkage, 8 cyl 289 CID Engine	5484	131
Air Cleaner - 4V GT & GTA	5785	191
Air cleaner exc. Hi-Performance, 8 Cylinder	4134	65
Air cleaner Hi-Performance, 8 Cylinder 289 C.I.D.	5784	190
Air cleaner oil breather cap , Closed System	4575	92
Air cleaner, 6 Cylinder 200 C.I.D.	3737	57
Air Cleaner, Cobra Jet - except Ram Air	6889	208
Air Cleaner, Cobra Jet - Ram Air - fixed type	6619	203
Air Cleaner, Cobra Jet - Ram Air - shaker type	6888	207
Air Conditioner - economy hang-on	5712	176
Air Conditioner - engine compartment - hang-on 6 cyl.	5209	114
Air Conditioner - engine compartment - hang-on 8 cyl. 289	5691	173
Air Conditioner - engine compartment - hang-on 8 cyl. 390, 428	5692	174
Air Conditioner - engine compartment - integral 6 cyl.	5688	172
Air Conditioner - engine compartment - integral 8 cyl. 289	5687	171
Air Conditioner - engine compartment - integral 8 cyl. 390, 428	5801	195
Air Conditioner - passenger compartment - integral	5676	169
Air Conditioner - vacuum hoses integral 6 cyl., 8 cyl 289 and 390	5680	170
Air conditioner, Compressor ( York design)	4382	75
Air conditioner, Compressor (Tecumseh design)	4381	74
Air conditioner, Compressor clutch (integral)	3216	46
Air extractor parts (quarter) - body type 63	5538	140
Alternator (Ford 15 volt - 65 amp)	5394	124
Alternator (Ford 15 volt-38, 42, 45, 55, 60 amp)	4508	87
Alternator (Leece Neville 15 volt-40, 53 amp)	3849	61
Alternator (Leece Neville 15 volt-53, 60, 65 amp)	5741	180
Alternator (Leece Neville 15 volt-60, 65 amp)	3843	60
Auxiliary air spring installation	10675	224
Back window - body type 63	5629	161
Back window - body type 65	5630	162
Battery Carrier and Related Parts	4459	79
Bumper front & rear	5513	134
Bumper front	3906	62
Bumper rear	3703	50

**100% SATISFACTION GUARANTEED**

**BUY IT NOW!**

**Click Here To Order**

PayPal American Express Discover MasterCard VISA

Index, Alphabetical Order  
1967 Mustang Part and Body Illustrations

Description	Number	Page
Brake details -disc front	4604	95
Brake Master Cylinder details	5518	136
Brake, Disc, Drum, and Parking Brake System	5516	135
Bumper - front	5608	148
Bumper - rear	5607	147
Camshaft, gear and bearings	4878	101
Camshaft, gear and bearings, 6 Cylinder 200, 250 C.I.D.	2964	34
Camshaft, gear and bearings, 8 Cylinder 289 C.I.D.	3733	54
Carburetor – Carter Type, 6 Cylinder 200 C.I.D.	5725	179
Carburetor – Ford 2V, 8 Cylinder 289 C.I.D.	4526	90
Carburetor - Ford 4V - without external accel pump	5457	125
Carburetor – Ford 4V, 8 Cylinder 289 C.I.D.	4527	91
Carburetor – Ford Type, 6 Cylinder 200 C.I.D.	4728	96
Carburetor - Holley 4V	5320	118
Carburetor – Holley Type, 6 Cylinder 200 C.I.D.	7460	213
Child safety seat	11536	226
Console, center and related parts	5539	141
Control Valve Details - 6 cyl.	7454	212
Convertible Top, electrical system	5639	166
Cooling System - 390, 427, 428, 429 CID Engine	5723	178
Cooling Systems, 6 & 8 Cyl. Engines	3147	44
Courtesy lamp - door mounted	5637	165
Courtesy lamp – instrument panel mounted	4734	97
Courtesy lamp – quarter panel mounted	4735	98
Crankshaft and flywheel	2488	27
Crankshaft and flywheel, 6 Cylinder 200, 250 C.I.D.	4899	103
Crankshaft and flywheel, 8 Cylinder 289 C.I.D.	3734	55
Cylinder block and cylinder head, 8 Cylinder 289 C	3767	59
Cylinder block, 6 Cylinder 200, 250 C.I.D.	3088	36
Cylinder Block, 8 Cyl., 352, 390, 427, 428 CID	2881	29
Cylinder Details	4180	68
Cylinder head, valves, and related parts, 8 Cyl.	3727	52
Cylinder head, valves, and related parts, 6 Cyl. (engines)	2961	31
Cylinder head, valves, and related parts, 6 Cyl. (not Plate type-exc. With stamped weights)	2926	30
Cylinder head, valves, and related parts, 6 Cyl. (with stamped weights)	4924	104

**100% SATISFACTION GUARANTEED**

**BUY IT NOW!**

**Click Here To Order**

PayPal American Express Discover MasterCard VISA

Index, Alphabetical Order  
1967 Mustang Part and Body Illustrations

Description	Number	Page
Dome lamp	2996	35
Door and Quarter Trim Panels - body type 63	5591	143
Door and Quarter Trim Panels - body type 65	5592	144
Door and Quarter Trim Panels - body type 76	5593	145
Drive Shaft	3144	43
Emission Reduction System, rocker arm cover type-open system	4592	93
Engine Assembly - 390 CID Engine	8397	216
Engine assembly, 6 Cylinder 200, 250 C.I.D.	8398	217
Engine assembly, 8 Cylinder 289 C.I.D.	8396	215
Engine Oil Cooler System	6984	211
Engine Supports - 390 CID Engine	5626	158
Engine Supports, 6 Cylinder 200 C.I.D. Engine	5625	157
Exhaust air supply pump	5009	106
Exhaust System, Dual - 289-2B, 289-4B High Performance and Shelby GT350, 390-4B	EA-7	227
Exhaust System, Single - 200-1B	EA-18	229
Exhaust System, Single - 289-2B	EA-8	228
Exterior Moldings - all	5541	142
Fender and apron sheet metal - except GT350/500	9206	221
Fender and apron sheet metal - GT350/500	9207	222
Fog, Lights - except GT350/500	5378	121
Folding top parts – less trim – body type 76	4479	82
Front and rear wheel, hub, & bearing	3118	39
Front seat – full width	4885	102
Front seats – bucket - body types 63A, 65, and 76A	4455	78
Front seats – bucket - body types 63B, 65B, and 76B	5767	187
Front Suspension - arms, spindles, springs	4945	105
Fuel Pump - with 4V carb.	3306	47
Fuel System	4499	85
Handles and latch parts (front door)	5627	159
Headlamp and parking - except GT350/500	5511	133
Headlamp, parking, side fender, Fog lamp - GT350/500	6830	204
	5392	123
	5964	199
	6981	210

**SATISFACTION 100% GUARANTEED**

**BUY IT NOW!**

**Click Here To Order**

PayPal American Express Discover MasterCard VISA

Index, Alphabetical Order  
1967 Mustang Part and Body Illustrations

Description	Number	Page
Hinges - front door upper	6980	209
Hood	5610	150
Instrument Cluster and related parts	8975	219
Instrument Panel	8974	218
Instrument Panel pad and attaching parts	7661	214
Intake manifold & related parts, 8 Cylinder 289 CID Engine	3742	58
Intake manifold type-open system, 8 Cylinder 289 C	4146	66
Jack and spare wheel parts	4596	94
Latch parts (Luggage Compartment)	5634	164
Map Lamp - roof console	5620	154
Mirror - remote control	5773	189
Oil filters - cartridge type	1246	20
Oil filters - spin-on type	2384	22
Oil Filters - spin-on type and adapter	2486	25
Oil Pump - 390 CID Engine	2476	23
Oil pump, 6 Cylinder 200, 250 C.I.D.	2963	33
Oil pump, 8 Cylinder 260, 289,302,351,400,429,460 C.I.D.	3736	56
Piston and connecting rod, 6 Cyl and 8 Cyl 260, 289,302,351,400,429,460 C.I.D.	3732	53
Piston and connecting rod, 6 Cylinder 200, 250 C.I.D.	3090	38
Piston and connecting rods - 390 CID Engine	2487	26
Radiator Grille and related parts (except GT350/500)	5609	149
Radiator Grille and related parts (GT350/500)	6835	206
Radio and stereo - multiplex adapter for AM/FM radio	5758	186
Radio and stereo - Radio (AM) with stereo tape player & speakers - integral and hand-on	5752	185
Rear Axle Equa Lock (integral carrier) and Non-Locking (integral carrier)	5796	194
Rear Axle Locking - Equa Lock (separate carrier)	2819	28
Rear Axle Non-Locking (separate carrier)	2130	21
Rear lamp, back up and license plate - except GT350/500	5503	132
Rear lamp, back up and license plate - except GT350/500	6831	205
Rear seat fixed - body type 63	5788	193
Rear seat fixed - body type 63	5787	192
Rear seat fixed - body type 63 carb. Open system	5302	117
Rear seat fixed - body type 63 carb. Open system, 6 Cylinder 200	4389	76



**BUY IT NOW!**

**Click Here To Order**



Index, Alphabetical Order  
1967 Mustang Part and Body Illustrations

Description	Number	Page
Roof side mouldings and weatherstrips – body type 63	4838	99
Roof side mouldings and weatherstrips – body type 65	4478	81
Seat Belt Warning Lamp Installation	5278	116
Seat belts - front and rear seats	5155	108
Sheet Metal - 63 upper body	5468	128
Sheet Metal - 65 upper body	5469	129
Sheet Metal - 76 under body	5467	127
Sheet Metal - 76 upper body	5470	130
Sheet Metal - under body 1967/70 body type 63, 1967/69 body type 65	5466	126
Shock absorber - front	3129	41
Shock absorber - rear	3137	42
Shoulder Harness - front seat	5600	146
Speed Control - engine compartment	5614	152
Speed Control - engine compartment	6172	200
Speed Control - passenger compartment	5613	151
Springs	3125	40
Starter and Drive Assy. – Positive Engagement	3191	45
Starter Drive (Ford 12 volt – positive engagement)	5526	138
Steering , Power Steering System	5714	177
Steering Column - tilt wheel	5622	155
Steering Column, Floor Shift - Fixed Wheel	5710	175
Steering Gear Details	9859	223
Steering linkage, Manual	5959	198
Steering Wheel and horn ring - except wood grain	5746	181
Steering Wheel and horn ring - wood grain	5747	182
Steering, Power steering pump details	5615	153
Thermactor emission control system	6432	202
Thermactor emission control system - exc. Hi-performance	5807	196
Thermactor emission control system - exc. Intake	5341	119
Thermactor emission control system - exc. Intake manifold type	5343	120
Thermostatic choke control	4177	67
Shifts	5633	163
Shift control selector mechanism,	4862	100
	5771	188

**100% SATISFACTION GUARANTEED**

**BUY IT NOW!**

**Click Here To Order**

PayPal American Express Discover MasterCard VISA

Index, Alphabetical Order  
1967 Mustang Part and Body Illustrations

Description	Number	Page
Transmission Automatic, Vacuum throttle valve, lines and fittings - typical	3627	49
Transmission C4 Type, Case, converter assy., extension, pump - typical	4326	69
Transmission C4 Type, Clutches, gears, shafts, rear support - typical	4327	70
Transmission C4 Type, Main control valve body assy. (Basic 7A100) - typical	4507	86
Transmission C4 Type, Parking pawl, throttle and manual control linkage - typical	4330	73
Transmission C4 Type, Servo and band, front - typical	4328	71
Transmission C4 Type, Servo and band, rear - typical	4329	72
Transmission C6 Type, Case, converter assy., extension, pump - typical	5172	109
Transmission C6 Type, Clutches, gears, shafts - typical	5173	110
Transmission C6 Type, Main control valve body assy. (Basic 7A100) - typical	5176	112
Transmission C6 Type, Parking pawl, throttle and manual control linkage - typical	5191	113
Transmission C6 Type, Servo and band - typical	5174	111
Transmission Oil cooling system, automatic - typical	5381	122
Transmission, Manual, 3 Speed manual trans 3.03 type	4012	63
Transmission, Manual, 3 speed trans, Gear shift mechanism - console or floor mtd	4516	88
Transmission, Manual, Ford 4 speed	4424	77
Transmission, Manual, Ford 4 speed, Gear shift mechanism - console or floor mtd	5810	197
Turn indicator - hood mounted	5651	167
Valve - exhaust thermostat control - arm type counterweight	3474	48
Valve - exhaust thermostat control - wheel type counterweight	5227	115
Valves, push rods and rocker arm cover, 6 Cyl and 8 Cyl 260,	3726	51
Valves, push rods and rocker arm cover, 6 Cylinder	3089	37
Valves, push rods, and rocker arm cover - 390 CID Engine	2485	24
Ventilating ducts	4020	64
Voltage Regulator (Ford 15 volt, negative ground)	5525	137
Warning Indicator Panel Installation	5652	168
Water Pump - 8 cyl 390, 428 CID Engine	9198	220
Water Pump - 250 engines	2962	32
Water Pump - 260, 302, 351W engine (with cover)	5143	107
Water Pump - 351W engine	5628	160



**BUY IT NOW!**

**Click Here To Order**



Index, Alphabetical Order  
1967 Mustang Part and Body Illustrations

Description	Number	Page
Window parts (quarter) - body types 65, 76	5537	139
Windshield – body type 76	4492	84
Windshield – body types 63, 65	4491	83
Windshield Wiper	4524	89
Windshield wiper	5624	156
Windshield wiper - wiper motor (2 speed Ford electric)	11434	225
Wiring System (page A)	5749-A	183
Wiring System (page B)	5749-B	184
Wiring System, Instrument panel	6206	201





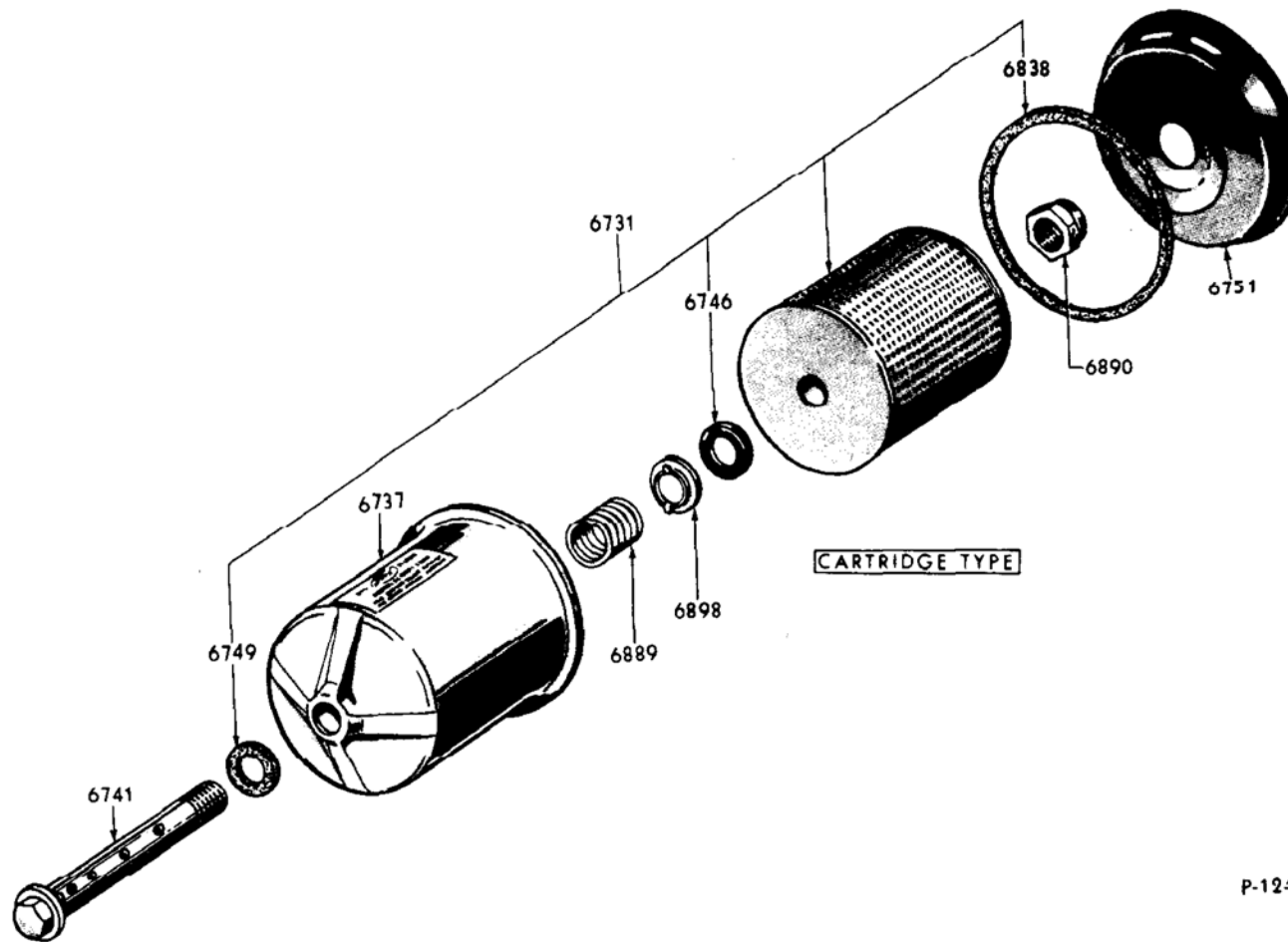




**100% SATISFACTION GUARANTEED**

**BUY IT NOW!**

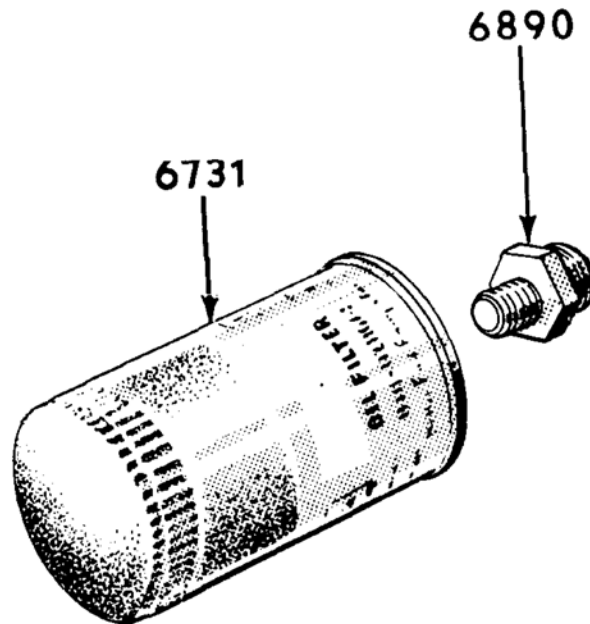
**Click Here To Order**



P-1246

**ENGINE FILER AND RELATED PARTS - CARTRIDGE TYPE - TYPICAL**  
**1965 / 72 6 CYLINDER 170, 200, 240, 250 AND 8 CYLINDER 260, 289, 302 AND 351**





P-2384

**ENGINE FILER AND RELATED PARTS - SPIN-ON TYPE - TYPICAL**

**1965 / 72 6 CYLINDER 170, 200, 240, 250 AND 8 CYLINDER 260, 289, 302, 351, 352, 390, 400, 427, 428, 429 AND 460**



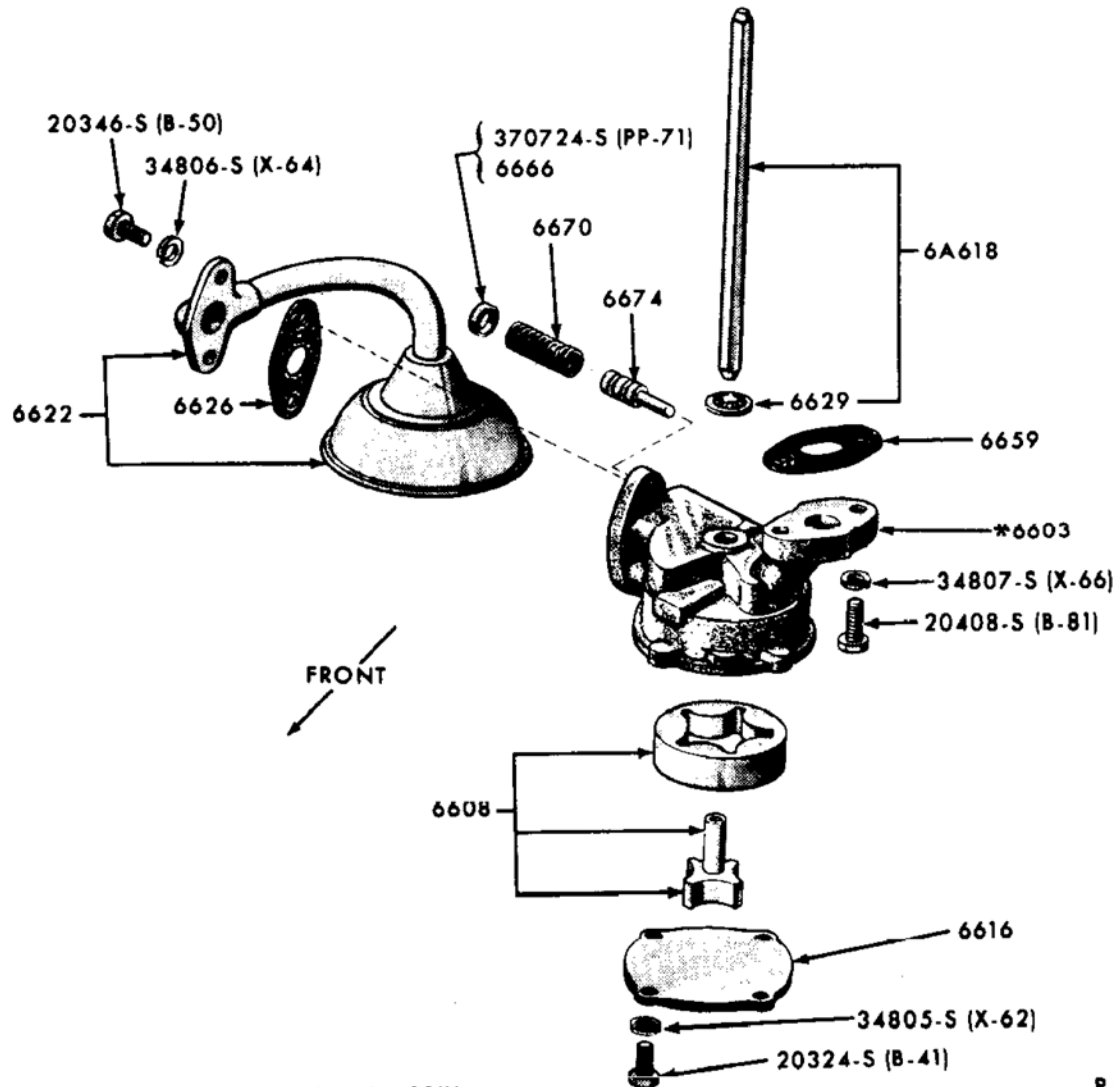




**100% SATISFACTION GUARANTEED**

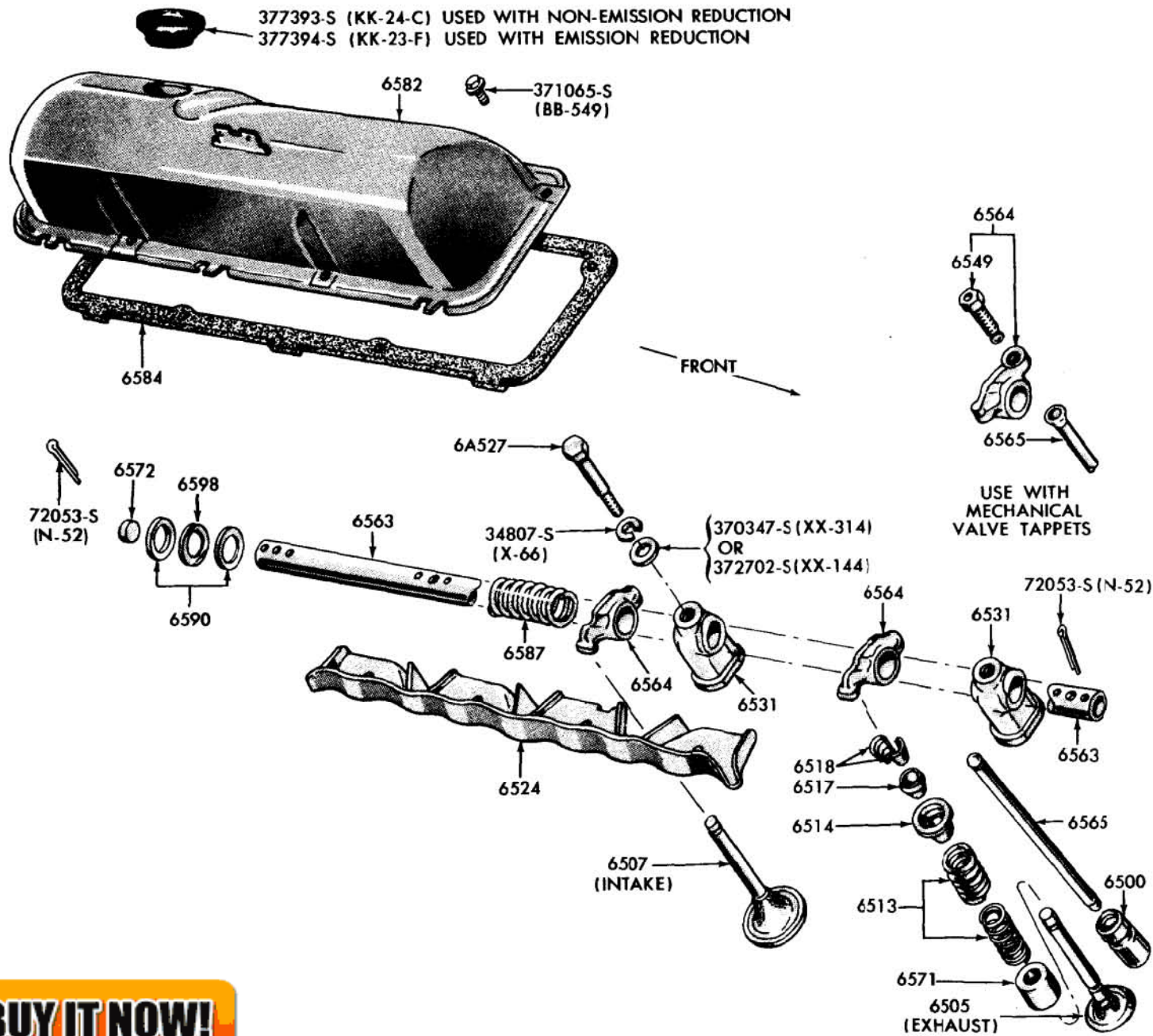
**BUY IT NOW!**

**Click Here To Order**



P-2476

**ENGINE OIL PUMP AND RELATED PARTS -- TYPICAL**  
**1965 / 71 8 CYLINDER 352, 390, 427 AND 428**



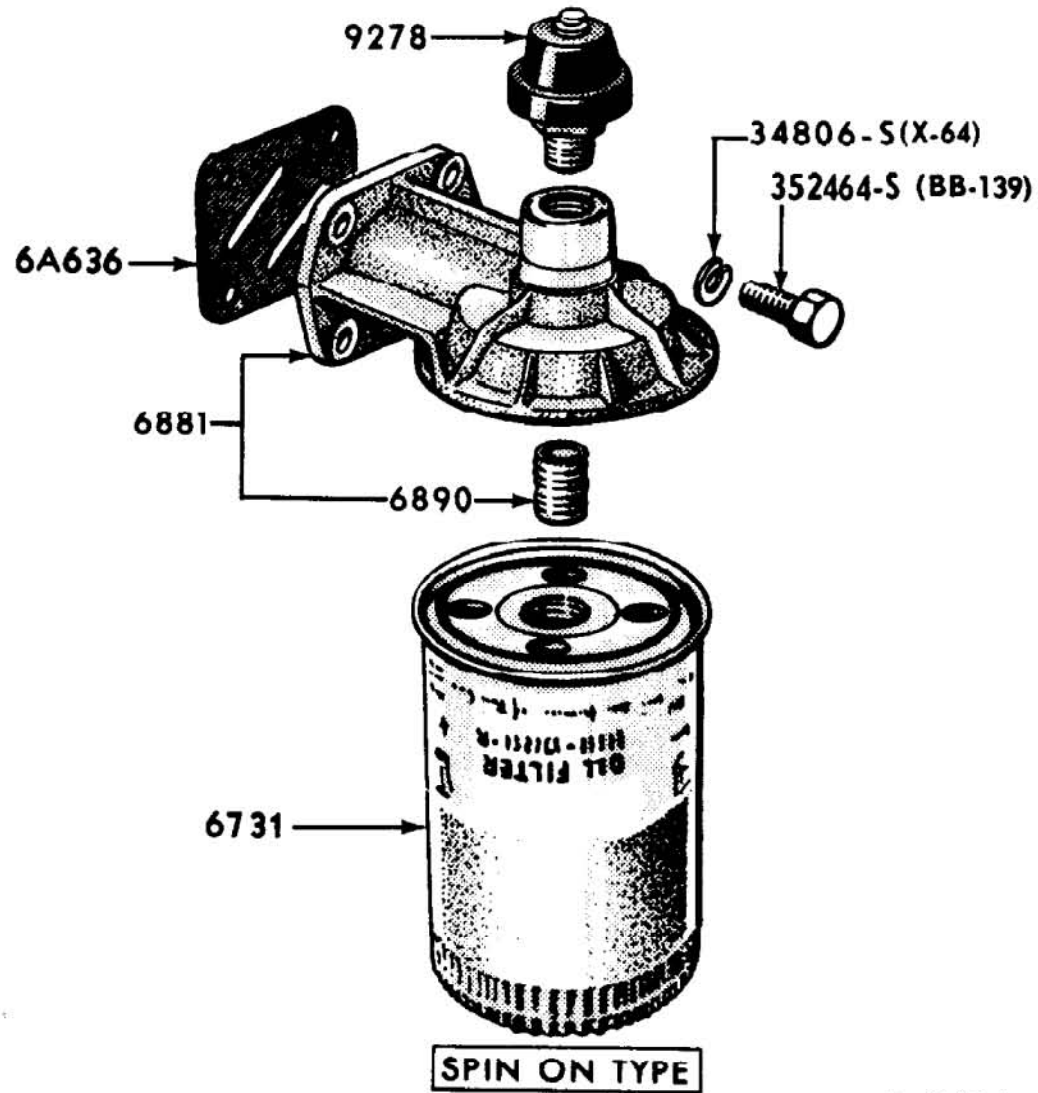
**100% SATISFACTION GUARANTEED**

**BUY IT NOW!**

**Click Here To Order**

PayPal American Express Discover Novus MasterCard VISA

VALVES, PUSH RODS, ROCKER ARM COVER AND RELATED PARTS - TYPICAL  
1965 / 71 8 CYLINDER 352, 390, 427 AND 428



P-2486

**100% SATISFACTION GUARANTEED**

**BUY IT NOW!**

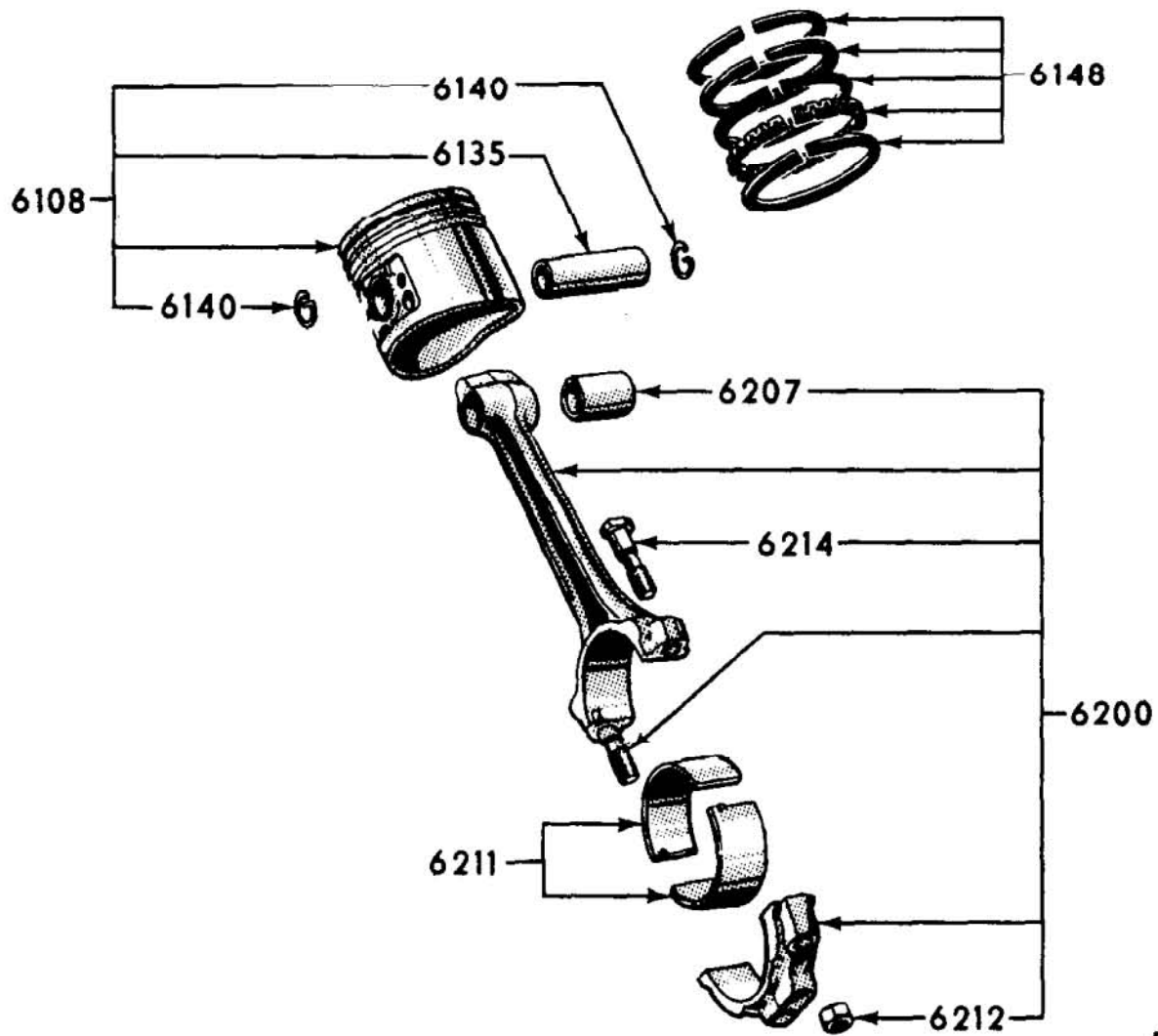
**Click Here To Order**

PayPal

MasterCard

VISA

ENGINE OIL FILTER, ADAPTER AND RELATED PARTS - TYPICAL  
1965/ 8 CYLINDER 352, 390, 400, 427, 428 AND 429



P-2487

**100% SATISFACTION GUARANTEED**

**BUY IT NOW!**

**Click Here To Order**

PayPal | American Express | Discover | MasterCard | VISA

ENGINE PISTON, CONNECTION ROD AND RELATED PARTS - TYPICAL  
1965 / 71 8 CYLINDER 352, 390, 427, AND 428





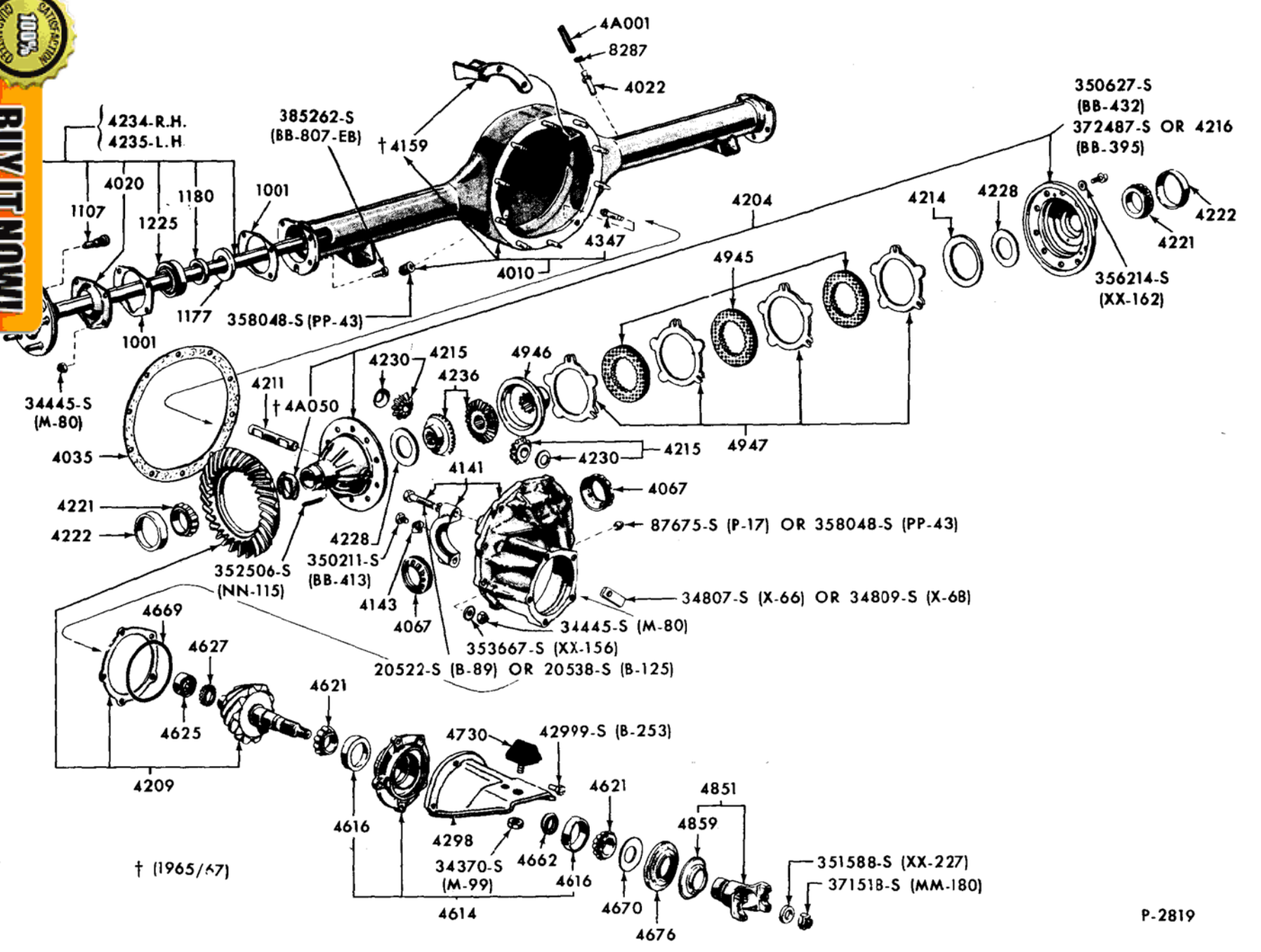




**100% SATISFACTION GUARANTEED**

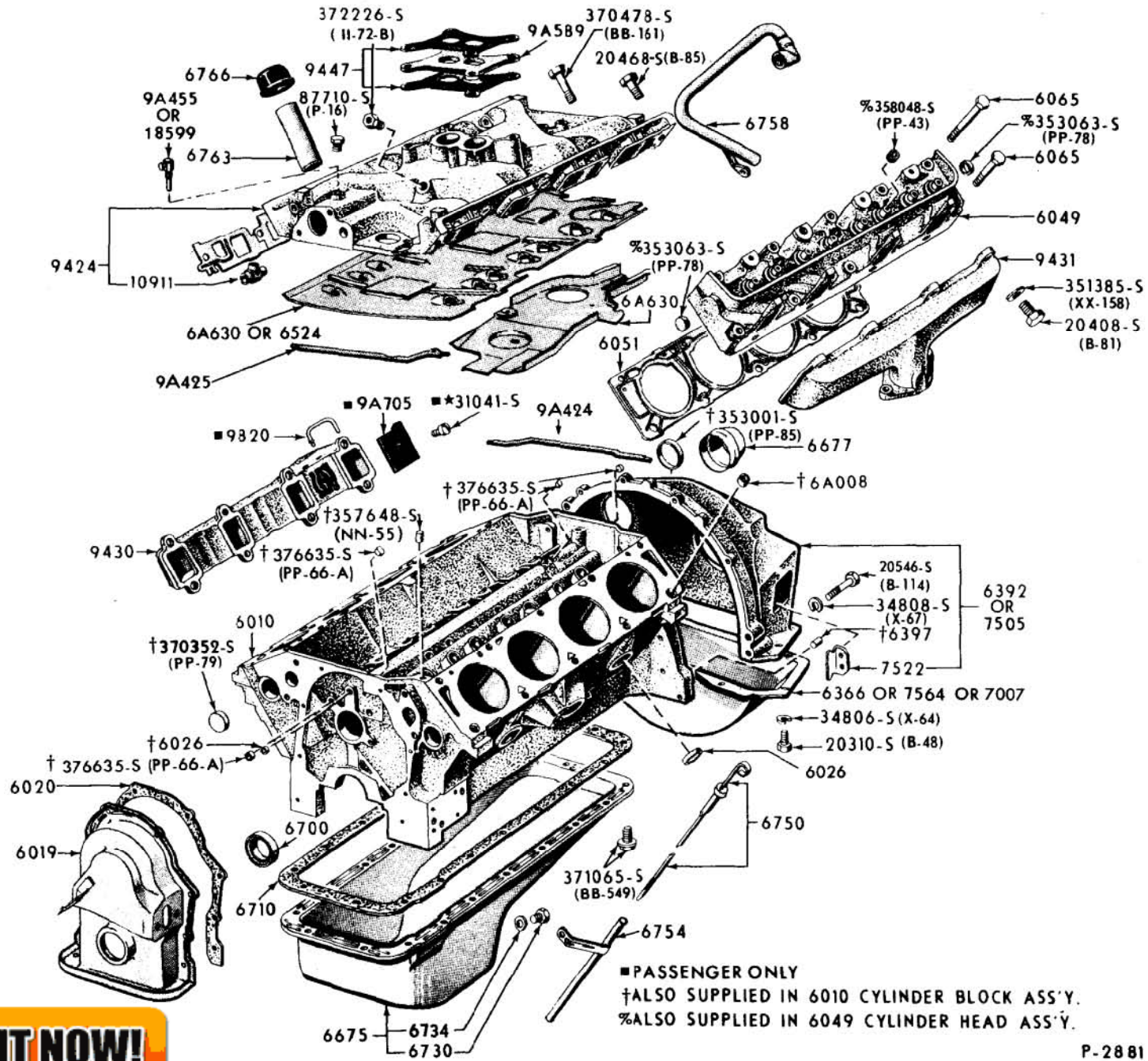
**BUY IT NOW!**

**Click Here To Order**



**REAR AXLE - LOCKING (EQUA LOCK) WITH SEPARATE CARRIER - TYPICAL  
 7 3/4", 8", 8 3/4", 9" RING GEAR**

**1966 /69 BRONCO, 1965 / 70 FALCON, 1965 / 68 FAIRLANE/TORINO, MUSTANG, 1965 / 69 FORD, 1965 / 67 THUNDERBIRD**



P-2881

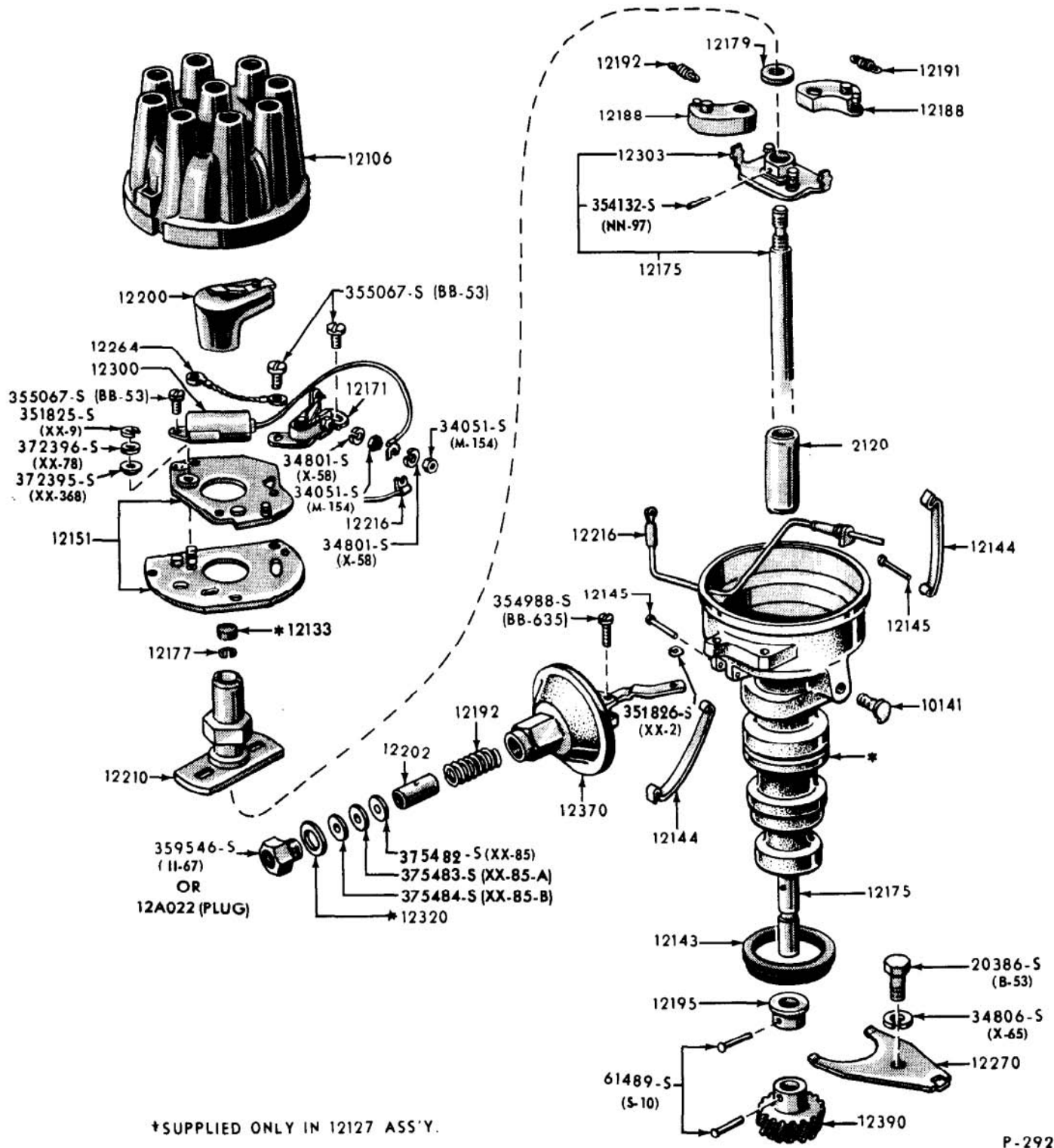

**BUY IT NOW!**  
 Click Here To Order







**CYLINDER BLOCK AND RELATED PARTS**  
**CYLINDER 352, 390, 427 AND 428 ENGINES TYPICAL**  
 1965 / 71



P-2926

**100% SATISFACTION GUARANTEED**

**BUY IT NOW!**

**Click Here To Order**

PayPal   American Express   Discover   MasterCard   VISA

(PIVOT PLATE EXCEPT WITH STAMPED WEIGHTS)  
1965 / 67 8 CYLINDER - ALL