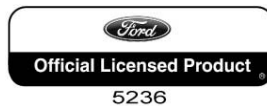


Copyright © 2009, Forel Publishing Company, LLC, Woodbridge, Virginia

All Rights Reserved. No part of this book may be used or reproduced in any manner whatsoever without written permission of Forel Publishing Company, LLC. For information write to Forel Publishing Company, LLC, 3999 Peregrine Ridge Ct., Woodbridge, VA 22192

1966 Mustang Part and Body Illustrations
EAN: 978-1-60371-034-3
ISBN: 1-60371-034-5

Forel Publishing Company, LLC
3999 Peregrine Ridge Ct.
Woodbridge, VA 22192
Email address: webmaster@ForelPublishing.com
Website: <http://www.ForelPublishing.com>



This publication contains material that is reproduced and distributed under a license from Ford Motor Company. No further reproduction or distribution of the Ford Motor Company material is allowed without the express written permission of Ford Motor Company.

Note from the Editor

This product was compiled using original Ford Motor Company publications. The contents of this product were extracted from: 1965/72 Ford Car Master Parts and Accessory Catalog (FP-7635- A and FP-7635- B).

Disclaimer

Although every effort was made to ensure the accuracy of this book, no representations or warranties of any kind are made concerning the accuracy, completeness or suitability of the information, either expressed or implied. As a result, the information contained within this book should be used as general information only. The author and Forel Publishing Company, LLC shall have neither liability nor responsibility to any person or entity with respect to any loss or damage caused, or alleged to be caused, directly or indirectly by the information contained in this book. Further, the publisher and author are not engaged in rendering legal or other professional services. If legal, mechanical, electrical, or other expert assistance is required, the services of a competent professional should be sought.



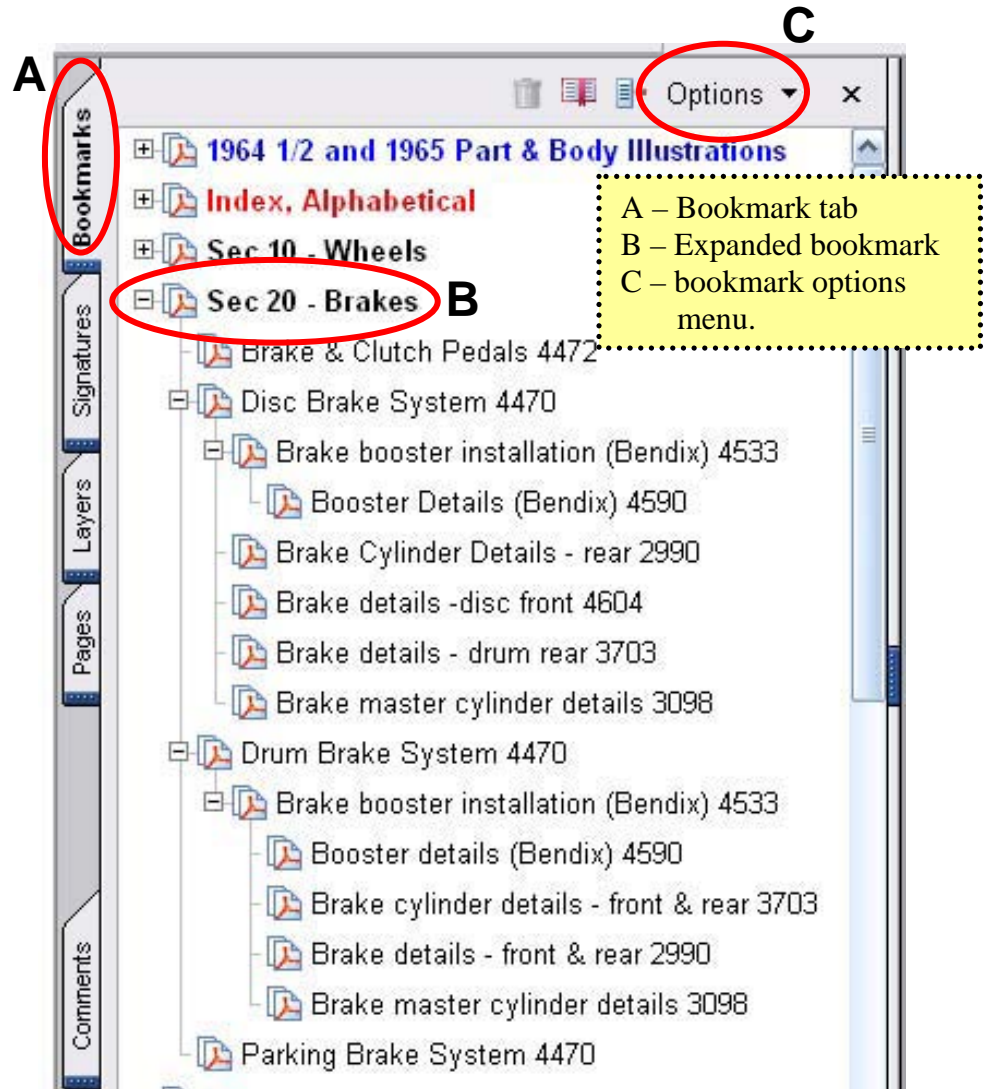
Navigating with bookmarks

This manual is primarily organized using “bookmarks”. Bookmarks are found on the left side of the screen and allow the user to navigate directly to a specific location within the document.

To browse using a bookmark:

1. Click the Bookmarks tab on the left side of the window, or choose view>Navigation Tabs>Bookmarks to display bookmarks.
2. To jump to a topic using its bookmark, click the bookmark. Click the plus sign (+) next to a parent bookmark to expand it. Click the minus sign (-) next to a bookmark to hide its children.

Note: Clicking a bookmark might perform an action instead of taking you to another location. It depends on how the bookmark was defined. For example, a hyperlinked bookmark could take you to a website.



If the list of bookmarks disappears when you click a bookmark, click the Bookmarks tab to display the list again. If you want the Bookmarks tab to always remain open after you click a menu at the top of the Bookmarks panel, and make sure Hide After



Basic Manual Organization

This manual is organized in three ways: **Illustration Number, Groupings by Sections** and **Alphabetical**.

Illustration Number:

Each illustration has its own illustration number. For example, the illustration for Brake & Clutch Pedals is illustration number “P-4472” and the illustration for the Brake Cylinder Details is “P-2990”. The pages of this book are arranged in illustration number order. Therefore, illustration 4473 would follow 2990.

Note: Illustrations are in numerical, not alphabetical order.

Groupings by Sections:

The grouping of diagrams by “section” is similar to how the Ford Motor Company originally organized its Master Parts and Accessories Catalog which contained both illustrations and part numbers to identify parts. For example, **Section 20 – Brakes** groups most brake related parts for this vehicle.

This manual uses bookmarks to follow that same organization and uses the same terms Ford used to identify the diagrams. In addition, the diagram number has been added to the end of the description. For example, **“Disc Brake System 4470”** is the basic name of the diagram and the diagram number is 4470. For the bookmarks and index’s in this manual, the “P-“ has been omitted.

Sec 20 - Brakes

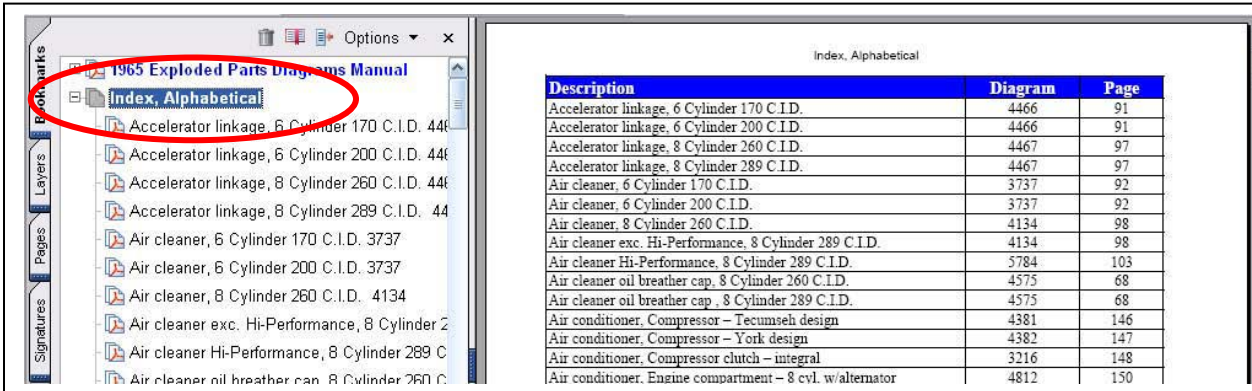
Brake & Clutch Pedals 4472
Disc Brake System 4470
 Brake booster installation (Bendix) 4533
 Booster Details (Bendix) 4590
Brake Cylinder Details - rear 2990
Brake details -disc front 4604
Brake details - drum rear 3703
Brake master cylinder details 3098
Drum Brake System 4470
 Brake booster installation (Bendix) 4533
 Booster details (Bendix) 4590
 Brake cylinder details - front & rear 2990
 Brake details - front & rear 2990
 Brake master cylinder details 3098
Parking Brake System 4470

The grouping of diagrams by number is useful in finding most diagrams related to a major group.



Alphabetical:

The alphabetical listing is a simple alphabetized listing of all diagrams. In some cases, if the diagram contained more than one major component, the diagram may be identified more than once. Expand the “Index, Alphabetical” bookmark to view details. The associated page contains the description, diagram number and page number for easy reference.



The screenshot shows a software interface with a left sidebar containing a 'Bookmarks' panel. The 'Index, Alphabetical' bookmark is selected and circled in red. The main window displays a table titled 'Index, Alphabetical' with three columns: 'Description', 'Diagram', and 'Page'.

Description	Diagram	Page
Accelerator linkage, 6 Cylinder 170 C.I.D.	4466	91
Accelerator linkage, 6 Cylinder 200 C.I.D.	4466	91
Accelerator linkage, 8 Cylinder 260 C.I.D.	4467	97
Accelerator linkage, 8 Cylinder 289 C.I.D.	4467	97
Air cleaner, 6 Cylinder 170 C.I.D.	3737	92
Air cleaner, 6 Cylinder 200 C.I.D.	3737	92
Air cleaner, 8 Cylinder 260 C.I.D.	4134	98
Air cleaner exc. Hi-Performance, 8 Cylinder 289 C.I.D.	4134	98
Air cleaner Hi-Performance, 8 Cylinder 289 C.I.D.	5784	103
Air cleaner oil breather cap, 8 Cylinder 260 C.I.D.	4575	68
Air cleaner oil breather cap, 8 Cylinder 289 C.I.D.	4575	68
Air conditioner, Compressor - Tecumseh design	4381	146
Air conditioner, Compressor - York design	4382	147
Air conditioner, Compressor clutch - integral	3216	148
Air conditioner, Engine compartment - 8 cyl. w/alternator	4812	150

Note: Illustrations are in numerical, not alphabetical order.



100% SATISFACTION GUARANTEED
BUY IT NOW!
Click Here To Order

Payment logos: PayPal, American Express, Discover, MasterCard, VISA

Index, Numerical Order
1966 Mustang Part and Body Illustrations

Diagram	Description	Page
1246	Oil filters - cartridge type	18
2130	Rear Axle Non-Locking (separate carrier)	19
2384	Oil filters - spin-on type	20
2819	Rear Axle Locking - Equa Lock (separate carrier)	21
2926	Distributor (8 cylinder - Pivot Plate type-exc. With stamped weights)	22
2961	Distributor (6 cylinder 200 engines)	23
2962	Water Pumps, 6 cyl. - 200, 250 engines	24
2963	Oil pump, 6 Cylinder 200, 250 C.I.D.	25
2964	Camshaft, gear and bearings, 6 Cylinder 200, 250 C.I.D.	26
2966	Transmission, Manual, 3 Speed manual trans 2.77 type	27
3088	Cylinder block, 6 Cylinder 200, 250 C.I.D.	28
3089	Valves, push rods and rocker arm cover, 6 Cylinder	29
3090	Piston and connecting rod, 6 Cylinder 200, 250 C.I.D.	30
3098	Brake master cylinder details	31
3118	Front and rear wheel, hub, & bearing	32
3121	Steering Linkage - 6 cyl.	33
3125	Springs	34
3129	Shock absorber - front	35
3137	Shock absorber - rear	36
3144	Drive Shaft	37
3147	Cooling Systems, 6 & 8 Cyl. Engines	38
3191	Starter and Drive Assy. – Positive Engagement	39
3216	Air conditioner, Compressor clutch (integral)	40
3446	Interior trim parts, folding top compartment trim	41
3475	Distributor (6 cylinder 240 engines)	42
3627	Transmission Automatic, Vacuum throttle valve, lines and fittings - typical	43
3703	Brake details - drum rear	44
3726	Valves, push rods and rocker arm cover, 6 Cyl and 8 Cyl 260,	45
3727	Cylinder head, valves, and related parts, 8 Cyl.	46
3732	Piston and connecting rod, 6 Cyl and 8 Cyl 260, 289,302,351,400,429,460 C.I.D.	47
	cr and bearings, 8 Cylinder 289 C.I.D.	48
	d flywheel, 8 Cylinder 289 C.I.D.	49
	ylinder 260, 289,302,351,400,429,460 C.I.D.	50



BUY IT NOW!

Click Here To Order



Index, Numerical Order
1966 Mustang Part and Body Illustrations

Diagram	Description	Page
3737	Air cleaner, 6 Cylinder 200 C.I.D.	51
3742	Intake manifold & related parts, 8 Cylinder 289 CID Engine	52
3744	Transmission, Manual, Warner 4 speed less forks, 1	53
3745	Transmission, Manual, Warner 4 speed forks, levers	54
3767	Cylinder block and cylinder head, 8 Cylinder 289 C	55
3843	Alternator (Leece Neville 15 volt-60, 65 amp)	56
3849	Alternator (Leece Neville 15 volt-40, 53 amp)	57
3903	Transmission, Manual, Dagenham 4 speed less forks,	58
3904	Transmission, Manual, Dagenham 4 speed forks, leve	59
3906	Brake Dylinder Details - front & rear	60
4012	Transmission, Manual, 3 Speed manual trans 3.03 type	61
4020	Ventilating ducts	62
4134	Air cleaner exc. Hi-Performance, 8 Cylinder	63
4146	Intake manifold type-open system, 8 Cylinder 289 C	64
4180	Cylinder Details	65
4200	Wiper motor (2 speed Ford electric)	66
4326	Transmission C4 Type, Case, converter assy., extension, pump - typical	67
4327	Transmission C4 Type, Clutches, gears, shafts, rear support - typical	68
4328	Transmission C4 Type, Servo and band, front - typical	69
4329	Transmission C4 Type, Servo and band, rear - typical	70
4330	Transmission C4 Type, Parking pawl, throttle and manual control linkage - typical	71
4367	Fuel pump, 6 Cylinder 200 C.I.D.	72
4381	Air conditioner, Compressor (Tecumseh design)	73
4382	Air conditioner, Compressor (York design)	74
4389	Rocker arm cover type-open system, 6 Cylinder 200	75
4424	Transmission, Manual, Ford 4 speed	76
4455	Front seats – bucket - body types 63A, 65, and 76A	77
4456	Interior trim parts (Two door hardtop formal roof)	78
4457	Interior trim parts (Convertible)	79
4458	Radiator Grille and Related Parts	80
	r and Related Parts	81
		82
		83



BUY IT NOW!

Click Here To Order



Index, Numerical Order
1966 Mustang Part and Body Illustrations

Diagram	Description	Page
4462	Hood	84
4463	Rear lamp, back up & license plate	85
4464	Bumper, Front	86
4465	Bumper, Rear	87
4466	Accelerator linkage, 6 Cylinder 170, 200 C.I.D. Engines	88
4467	Accelerator linkage, 8 Cylinder 280, 289 C.I.D. Engines	89
4470	Brake System, Disc/Drum	90
4472	Brake & Clutch Pedals	91
4476	Back window – body type 65	92
4477	Latch parts – body type 65, 70 (luggage compartment)	93
4478	Roof side mouldings and weatherstrips – body type 65	94
4479	Folding top parts – less trim – body type 76	95
4483	Steering Linkage - 8 cyl.	96
4486	Sheet Metal, Two door hardtop fastback/formal roof	97
4487	Sheet Metal, Convertible - Under body	98
4488	Sheet Metal, Two door hardtop formal roof - Upper	99
4489	Sheet Metal, Convertible - Upper body	100
4490	Exterior Moulding, All,	101
4491	Windshield – body types 63, 65	102
4492	Windshield – body type 76	103
4493	Console – without A/C	104
4494	Window parts (front door) 4494	105
4495	Handles and latch parts (front door)	106
4496	Window parts (quarter) – body types 65, 76	107
4498	Wiring System	108
4499	Fuel System	109
4500	Engine Supports	110
4501	Transmission Automatic, Shift control selector mechanism, Automatic	111
4507	Transmission C4 Type, Main control valve body assy. (Basic 7A100) - typical	112
4508	Alternator (Ford 15 volt-38, 42, 45, 55, 60 amp)	113
	Horn Ring, Steering Wheel and related parts – non-woodgrain	114
	Manual, 3 speed trans, Gear shift mechanism - or mtd	115



BUY IT NOW!

Click Here To Order



Index, Numerical Order
1966 Mustang Part and Body Illustrations

Diagram	Description	Page
4524	Windshield Wiper	116
4525	Washer, windshield	117
4526	Carburetor – Ford 2V, 8 Cylinder 289 C.I.D.	118
4527	Carburetor – Ford 4V, 8 Cylinder 289 C.I.D.	119
4533	Brake booster installation (Bendix)	120
4540	Heater	121
4543	Mirror – remote control	122
4548	Convertible top, wiring	123
4549	Air conditioner, Passenger compartment – hang-on	124
4573	Air conditioner, Engine compartment – hang-on 6 cy	125
4574	Pump Details - Ford Type	126
4575	Air cleaner oil breather cap , Closed System	127
4590	Booster Details (Bendix)	128
4592	Emission Reduction System, rocker arm cover type-open system	129
4596	Jack and spare wheel parts	130
4602	Console – with A/C	131
4604	Brake details -disc front	132
4605	Power Steering System - 8 cyl.	133
4606	Power Steering System - 6 cyl.	134
4640	Sheet Metal, Two door hardtop fastback roof - Uppe	135
4728	Carburetor – Ford Type, 6 Cylinder 200 C.I.D.	136
4734	Courtesy lamp – instrument panel mounted	137
4735	Courtesy lamp – quarter panel mounted	138
4764	Rear seat – folding – body type 63	139
4767	Interior trim parts (Two door hardtop fastback roo	140
4795	Air extractor parts (quarter) – body type 63	141
4812	Air conditioner, Engine compartment (8 cyl. w/alt)	142
4838	Roof side mouldings and weatherstrips – body type 63	143
4839	Back window – body type 63	144
4844	Latch parts – body type 63 (luggage compartment)	145
4862	Transmission Automatic, bushings	146
4863	Luggage and ski carrier – non adjustable – roof mo	147
	all width	148
	d flywheel, 6 Cylinder 200, 250 C.I.D.	149
	arning Flasher	150



BUY IT NOW!

Click Here To Order



Index, Numerical Order
1966 Mustang Part and Body Illustrations

Diagram	Description	Page
4924	Distributor (8 cylinder – with stamped weights)	151
4926	Courtesy lamp – Door mounted	152
4940	Thermostatic choke control - except Hi-Performance	153
4945	Front Suspension - arms, spindles, springs	154
4955	Steering Wheel, 3 Spoke – woodgrain wheel	155
5009	Exhaust air supply pump	156
5126	Thermactor emission control system - Intake manifold	157
5128	Thermactor emission control system - Intake manifold	158
5143	Water Pumps, 8 cyl. - 289, 302, 351W engine (with cover)	159
5155	Seat belts - front and rear seats	160
5172	Transmission C6 Type, Case, converter assy., extension, pump - typical	161
5173	Transmission C6 Type, Clutches, gears, shafts - typical	162
5174	Transmission C6 Type, Servo and band - typical	163
5176	Transmission C6 Type, Main control valve body assy. (Basic 7A100) - typical	164
5191	Transmission C6 Type, Parking pawl, throttle and manual control linkage - typical	165
5278	Seat Belt Warning Lamp Installation	166
5283	Radio and stereo - radio (AM) with stereo tape pla	167
5341	Thermactor emission control system - exc. Intake	168
5343	Thermactor emission control system - exc. Intake manifold type	169
5376	Wiper motor (single speed Ford electric)	170
5378	Fog, Lights - except GT350/500	171
5381	Transmission Oil cooling system, automatic - typical	172
5392	Headrest	173
5525	Voltage Regulator (Ford 15 volt, negative ground)	174
5526	Starter Drive (Ford 12 volt – positive engagement)	175
5741	Alternator (Leece Neville 15 volt-53, 60, 65 amp)	176
5784	Air cleaner Hi-Performance, 8 Cylinder 289 C.I.D.	177
5796	Rear Axle Equa Lock (integral carrier) and Non-Locking (integral carrier)	178
5810	Transmission, Manual, Ford 4 speed, Gear shift mechanism - console or floor mtd	179
	man - floor shift	180
	door upper	181
	door lower	182



BUY IT NOW!

Click Here To Order



Index, Numerical Order
1966 Mustang Part and Body Illustrations

Diagram	Description	Page
7453	Control Valve Details - 8 cyl.	183
7454	Control Valve Details - 6 cyl.	184
7460	Carburetor – Holley Type, 6 Cylinder 200 C.I.D.	185
8396	Engine assembly, 8 Cylinder 289 C.I.D.	186
8398	Engine assembly, 6 Cylinder 200, 250 C.I.D.	187
8408	Rocker arm cover type-closed system, 6 Cylinder 200, 250	188
8972	Instrument panel and pad – w/gauges	189
8973	Instrument Cluster and Related Parts – w/Gauges	190
9205	Fender and apron sheet metal	191
9859	Steering Gear Details	192
10675	Auxiliary air spring installation	193
11536	Child safety seat	194
EA-23	Exhaust System, 200-1B, Single Exhaust	195
EA-24	Exhaust System, 289-2B, 289-4B, single exhaust	196
EA-25	Exhaust System, 289-2B, 4B, Premium Fuel - dual exhaust (GT or Perf. Image	197
EA-26	Exhaust System, 289-4B, Shelby GT350, Special, 289-2B, Dual exhaust kit	198
EA-29	Exhaust System, 289-4B, Premium Fuel - dual exhaust (exec. GT. Perf. Image Option,	199



Index, Alphabetical Order
1966 Mustang Part and Body Illustrations

Description	Diagram	Page
Carburetor – Ford Type, 6 Cylinder 200 C.I.D.	4728	136
Carburetor – Holley Type, 6 Cylinder 200 C.I.D.	7460	185
Child safety seat	11536	194
Console – with A/C	4602	131
Console – without A/C	4493	104
Control Valve Details - 6 cyl.	7454	184
Control Valve Details - 8 cyl.	7453	183
Convertible top, wiring	4548	123
Cooling Systems, 6 & 8 Cyl. Engines	3147	38
Courtesy lamp – Door mounted	4926	152
Courtesy lamp – instrument panel mounted	4734	137
Courtesy lamp – quarter panel mounted	4735	138
Crankshaft and flywheel, 6 Cylinder 200, 250 C.I.D.	4899	149
Crankshaft and flywheel, 8 Cylinder 289 C.I.D.	3734	49
Cylinder block and cylinder head, 8 Cylinder 289 C	3767	55
Cylinder block, 6 Cylinder 200, 250 C.I.D.	3088	28
Cylinder Details	4180	65
Cylinder head, valves, and related parts, 8 Cyl.	3727	46
Distributor (6 cylinder 200 engines)	2961	23
Distributor (6 cylinder 240 engines)	3475	42
Distributor (8 cylinder - Pivot Plate type-exc. With stamped weights)	2926	22
Distributor (8 cylinder – with stamped weights)	4924	151
Drive Shaft	3144	37
Emergency Warning Flasher	4921	150
Emission Reduction System, rocker arm cover type-open system	4592	129
Engine assembly, 6 Cylinder 200, 250 C.I.D.	8398	187
Engine assembly, 8 Cylinder 289 C.I.D.	8396	186
Engine Supports	4500	110
Exhaust air supply pump	5009	156
Exhaust System, 200-1B, Single Exhaust	EA-23	195
Exhaust System, 289-2B, 289-4B, single exhaust	EA-24	196
Exhaust System, 289-2B, 4B, Premium Fuel - dual exhaust (GT or	EA-25	197
Exhaust System, 289-2B, 4B, Premium Fuel - dual exhaust (exec. GT. Perf.	EA-29	199
Exhaust System, 289-2B, 4B, Premium Fuel - dual exhaust (exec. GT. Perf. Shelby GT350, Special, 289-2B, Dual	EA-26	198



BUY IT NOW!

Click Here To Order



Index, Alphabetical Order
1966 Mustang Part and Body Illustrations

Description	Diagram	Page
exhaust kit		
Exterior Moulding, All,	4490	101
Fender and apron sheet metal	9205	191
Fog, Lights - except GT350/500	5378	171
Folding top parts – less trim – body type 76	4479	95
Front and rear wheel, hub, & bearing	3118	32
Front seat – full width	4885	148
Front seats – bucket - body types 63A, 65, and 76A	4455	77
Front Suspension - arms, spindles, springs	4945	154
Fuel pump, 6 Cylinder 200 C.I.D.	4367	72
Fuel System	4499	109
Handles and latch parts (front door)	4495	106
Headlamp	4460	82
Headrest	5392	173
Heater	4540	121
Hinges – front door lower	6981	182
Hinges - front door upper	6980	181
Hood	4462	84
Horn Ring, Steering Wheel and related parts – non-woodgrain wheel	4514	114
Instrument Cluster and Related Parts – w/Gauges	8973	190
Instrument panel and pad – w/gauges	8972	189
Intake manifold & related parts, 8 Cylinder 289 CID Engine	3742	52
Intake manifold type-open system, 8 Cylinder 289 C	4146	64
Interior trim parts (Convertible)	4457	79
Interior trim parts (Two door hardtop fastback roof)	4767	140
Interior trim parts (Two door hardtop formal roof)	4456	78
Interior trim parts, folding top compartment trim	3446	41
Jack and spare wheel parts	4596	130
Latch parts – body type 63 (luggage compartment)	4844	145
Latch parts – body type 65, 70 (luggage compartment)	4477	93
Luggage and ski carrier – non adjustable – roof mo	4863	147
Mirror – remote control	4543	122
	1246	18
	2384	20
	2963	25

100% SATISFACTION GUARANTEED

BUY IT NOW!

Click Here To Order

PayPal American Express Discover MasterCard VISA

Index, Alphabetical Order
1966 Mustang Part and Body Illustrations

Description	Diagram	Page
Oil pump, 8 Cylinder 260, 289,302,351,400,429,460 C.I.D.	3736	50
Parking Lamp	4461	83
Piston and connecting rod, 6 Cyl and 8 Cyl 260, 289,302,351,400,429,460 C.I.D.	3732	47
Piston and connecting rod, 6 Cylinder 200, 250 C.I.D.	3090	30
Power Steering System - 6 cyl.	4606	134
Power Steering System - 8 cyl.	4605	133
Pump Details - Ford Type	4574	126
Radiator Grille and Related Parts	4458	80
Radio and stereo - radio (AM) with stereo tape pla	5283	167
Rear Axle Equa Lock (integral carrier) and Non-Locking (integral carrier)	5796	178
Rear Axle Locking - Equa Lock (separate carrier)	2819	21
Rear Axle Non-Locking (separate carrier)	2130	19
Rear lamp, back up & license plate	4463	85
Rear seat – folding – body type 63	4764	139
Rocker arm cover type-closed system, 6 Cylinder 200, 250	8408	188
Rocker arm cover type-open system, 6 Cylinder 200	4389	75
Roof side mouldings and weatherstrips – body type 63	4838	143
Roof side mouldings and weatherstrips – body type 65	4478	94
Seat Belt Warning Lamp Installation	5278	166
Seat belts - front and rear seats	5155	160
Sheet Metal, Convertible - Under body	4487	98
Sheet Metal, Convertible - Upper body	4489	100
Sheet Metal, Two door hardtop fastback roof - Uppe	4640	135
Sheet Metal, Two door hardtop fastback/formal roof	4486	97
Sheet Metal, Two door hardtop formal roof - Upper	4488	99
Shock absorber - front	3129	35
Shock absorber - rear	3137	36
Springs	3125	34
Starter and Drive Assy. – Positive Engagement	3191	39
Starter Drive (Ford 12 volt – positive engagement)	5526	175
Steering column - floor shift	6366	180
	9859	192
	3121	33
	4483	96

SATISFACTION 100% GUARANTEED

BUY IT NOW!

Click Here To Order

PayPal American Express Discover Novus MasterCard VISA

Index, Alphabetical Order
1966 Mustang Part and Body Illustrations

Description	Diagram	Page
Steering Wheel, 3 Spoke – woodgrain wheel	4955	155
Thermactor emission control system - exc. Intake	5341	168
Thermactor emission control system - exc. Intake manifold type	5343	169
Thermactor emission control system - Intake manifold	5126	157
Thermactor emission control system - Intake manifold	5128	158
Thermostatic choke control - except Hi-Performance	4940	153
Transmission Automatic, bushings	4862	146
Transmission Automatic, Shift control selector mechanism, Automatic	4501	111
Transmission Automatic, Vacuum throttle valve, lines and fittings - typical	3627	43
Transmission C4 Type, Case, converter assy., extension, pump - typical	4326	67
Transmission C4 Type, Clutches, gears, shafts, rear support - typical	4327	68
Transmission C4 Type, Main control valve body assy. (Basic 7A100) - typical	4507	112
Transmission C4 Type, Parking pawl, throttle and manual control linkage - typical	4330	71
Transmission C4 Type, Servo and band, front - typical	4328	69
Transmission C4 Type, Servo and band, rear - typical	4329	70
Transmission C6 Type, Case, converter assy., extension, pump - typical	5172	161
Transmission C6 Type, Clutches, gears, shafts - typical	5173	162
Transmission C6 Type, Main control valve body assy. (Basic 7A100) - typical	5176	164
Transmission C6 Type, Parking pawl, throttle and manual control linkage - typical	5191	165
Transmission C6 Type, Servo and band - typical	5174	163
Transmission Oil cooling system, automatic - typical	5381	172
Transmission, Manual, 3 Speed manual trans 2.77 type	2966	27
Transmission, Manual, 3 Speed manual trans 3.03 type	4012	61
Transmission, Manual, 3 speed trans, Gear shift mechanism - console or floor mtd	4516	115
Transmission, Manual, Dagenham 4 speed forks, leve	3904	59
Transmission, Manual, Dagenham 4 speed less forks,	3903	58
Transmission, Manual, Ford 4 speed	4424	76
Transmission, Manual, Ford 4 speed, Gear shift mechanism - console or floor mtd	5810	179
Transmission, Manual, Ford 4 speed forks, levers	3745	54
Transmission, Manual, Ford 4 speed less forks, l	3744	53
Transmission, Manual, Ford 4 speed, Gear shift mechanism - console or floor mtd	3726	45



BUY IT NOW!

Click Here To Order



Index, Alphabetical Order
1966 Mustang Part and Body Illustrations

Description	Diagram	Page
Valves, push rods and rocker arm cover, 6 Cylinder	3089	29
Ventilating ducts	4020	62
Voltage Regulator (Ford 15 volt, negative ground)	5525	174
Washer, windshield	4525	117
Water Pumps, 6 cyl. - 200, 250 engines	2962	24
Water Pumps, 8 cyl. - 289, 302, 351W engine (with cover)	5143	159
Window parts (front door) 4494	4494	105
Window parts (quarter) – body types 65, 76	4496	107
Windshield – body type 76	4492	103
Windshield – body types 63, 65	4491	102
Windshield Wiper	4524	116
Wiper motor (2 speed Ford electric)	4200	66
Wiper motor (single speed Ford electric)	5376	170
Wiring System	4498	108

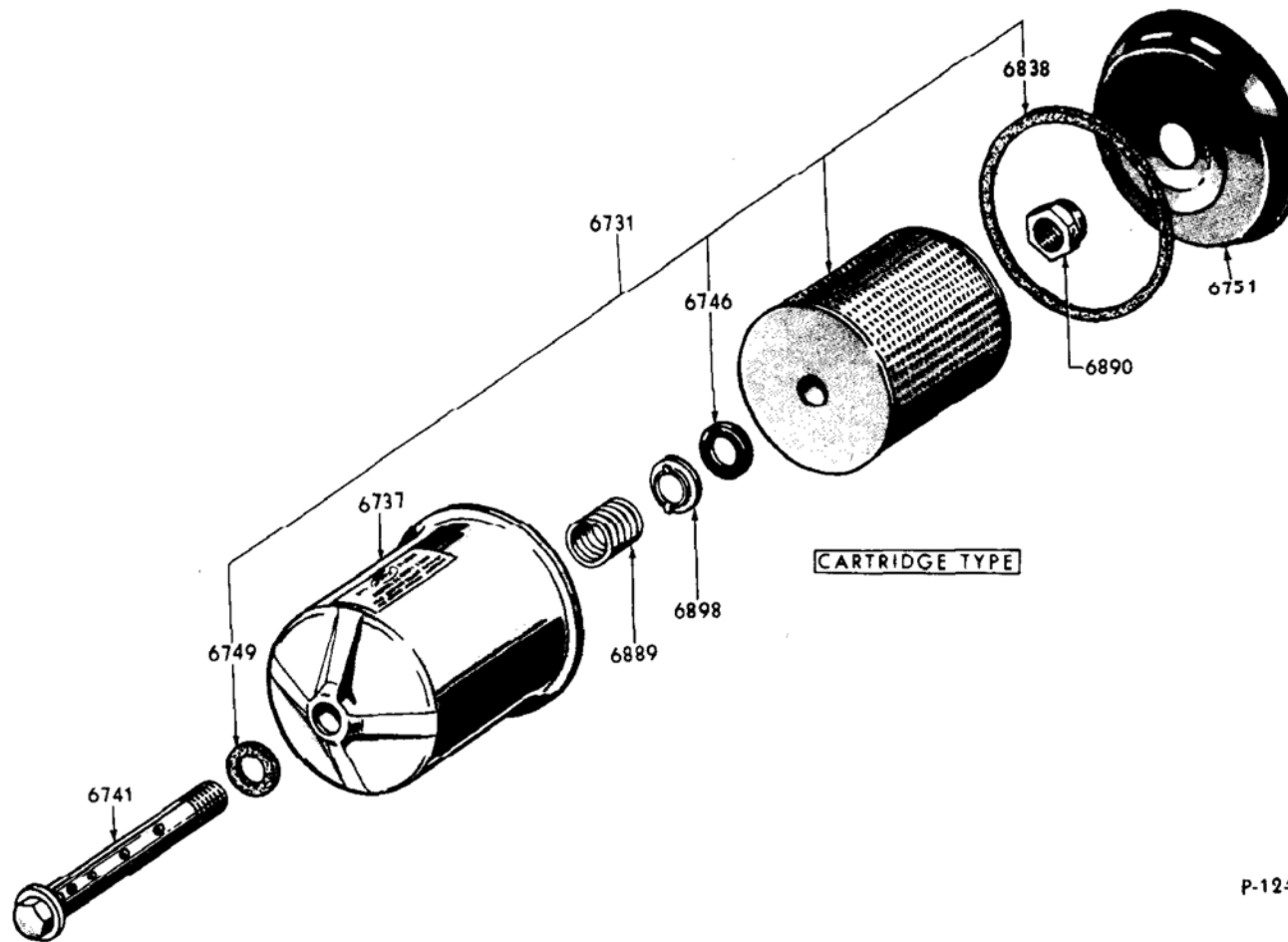






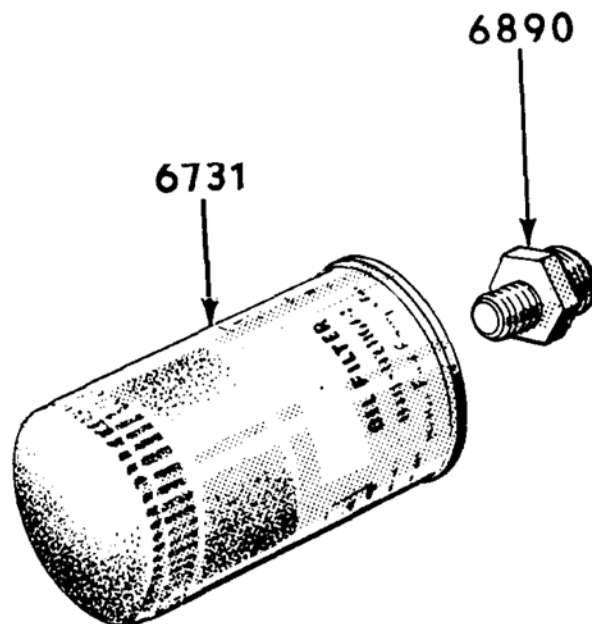


100% SATISFACTION GUARANTEED
BUY IT NOW!
[Click Here To Order](#)



P-1246

ENGINE FILER AND RELATED PARTS - CARTRIDGE TYPE - TYPICAL
1965 / 72 6 CYLINDER 170, 200, 240, 250 AND 8 CYLINDER 260, 289, 302 AND 351



P-2384

ENGINE FILTER AND RELATED PARTS - SPIN-ON TYPE - TYPICAL

1965 / 72 6 CYLINDER 170, 200, 240, 250 AND 8 CYLINDER 260, 289, 302, 351, 352, 390, 400, 427, 428, 429 AND 460



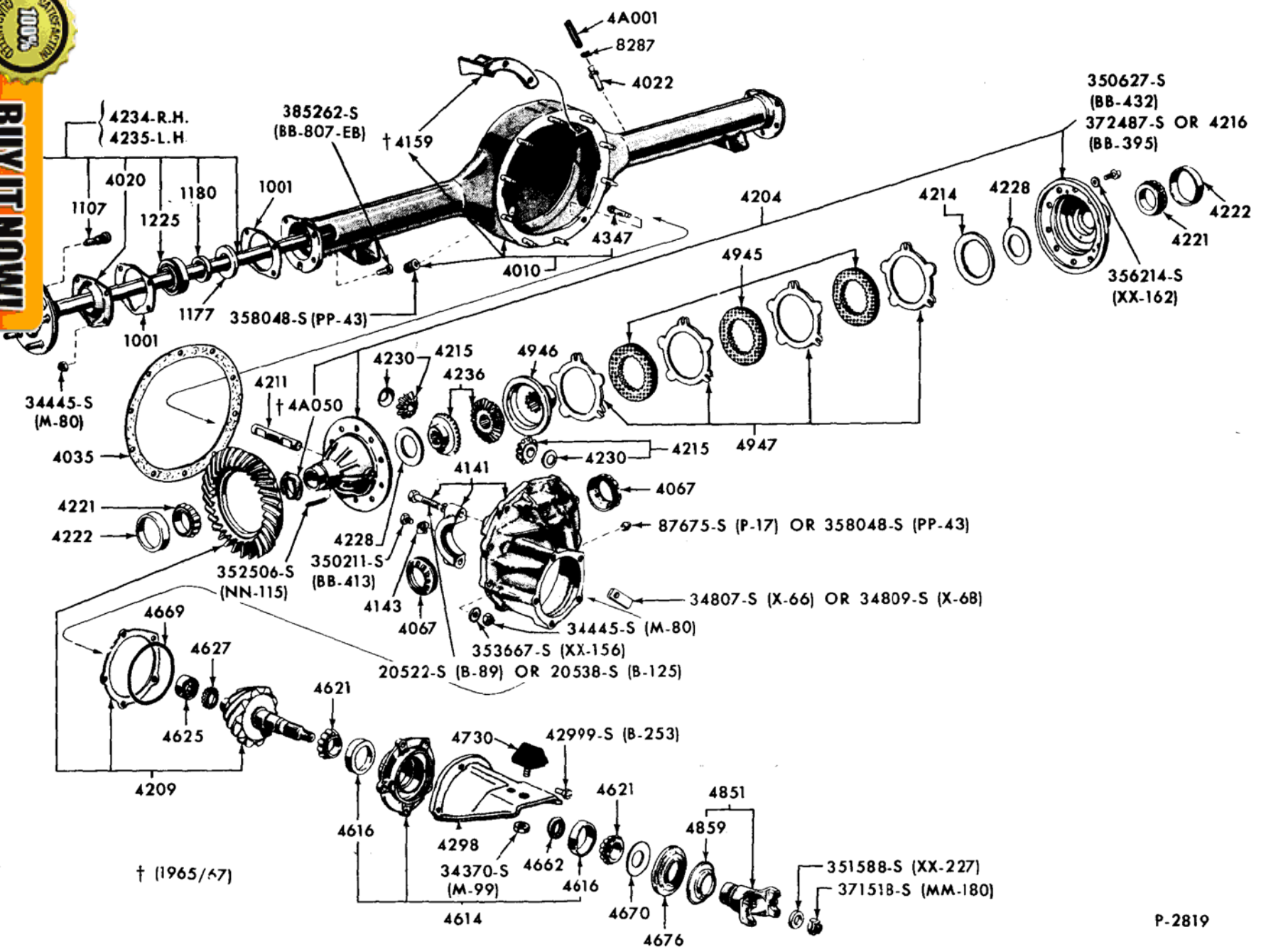




100% SATISFACTION GUARANTEED

BUY IT NOW!

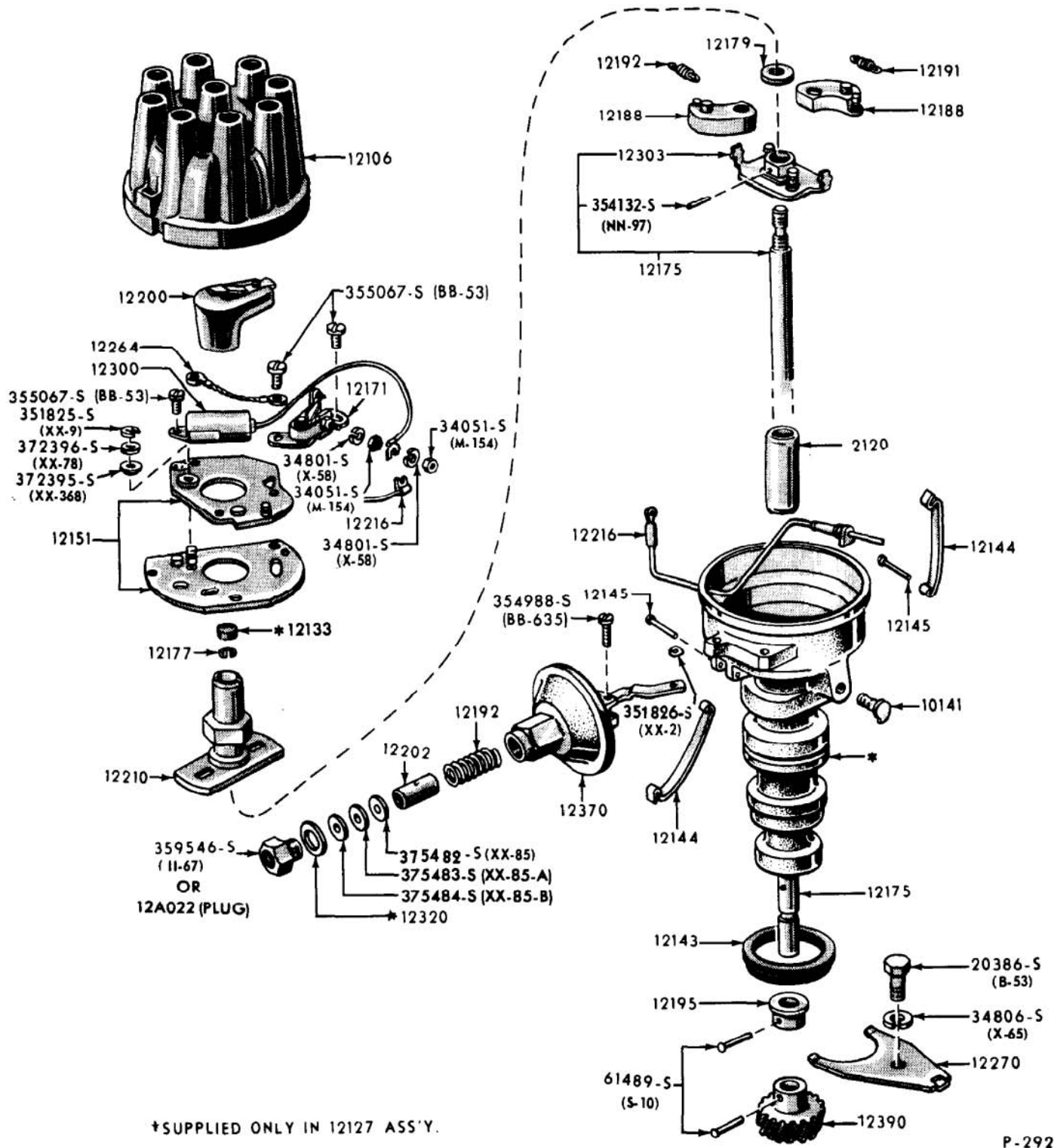
Click Here To Order



P-2819

**REAR AXLE - LOCKING (EQUA LOCK) WITH SEPARATE CARRIER - TYPICAL
 7 3/4", 8", 8 3/4", 9" RING GEAR**

1966 /69 BRONCO, 1965 / 70 FALCON, 1965 / 68 FAIRLANE/TORINO, MUSTANG, 1965 / 69 FORD, 1965 / 67 THUNDERBIRD

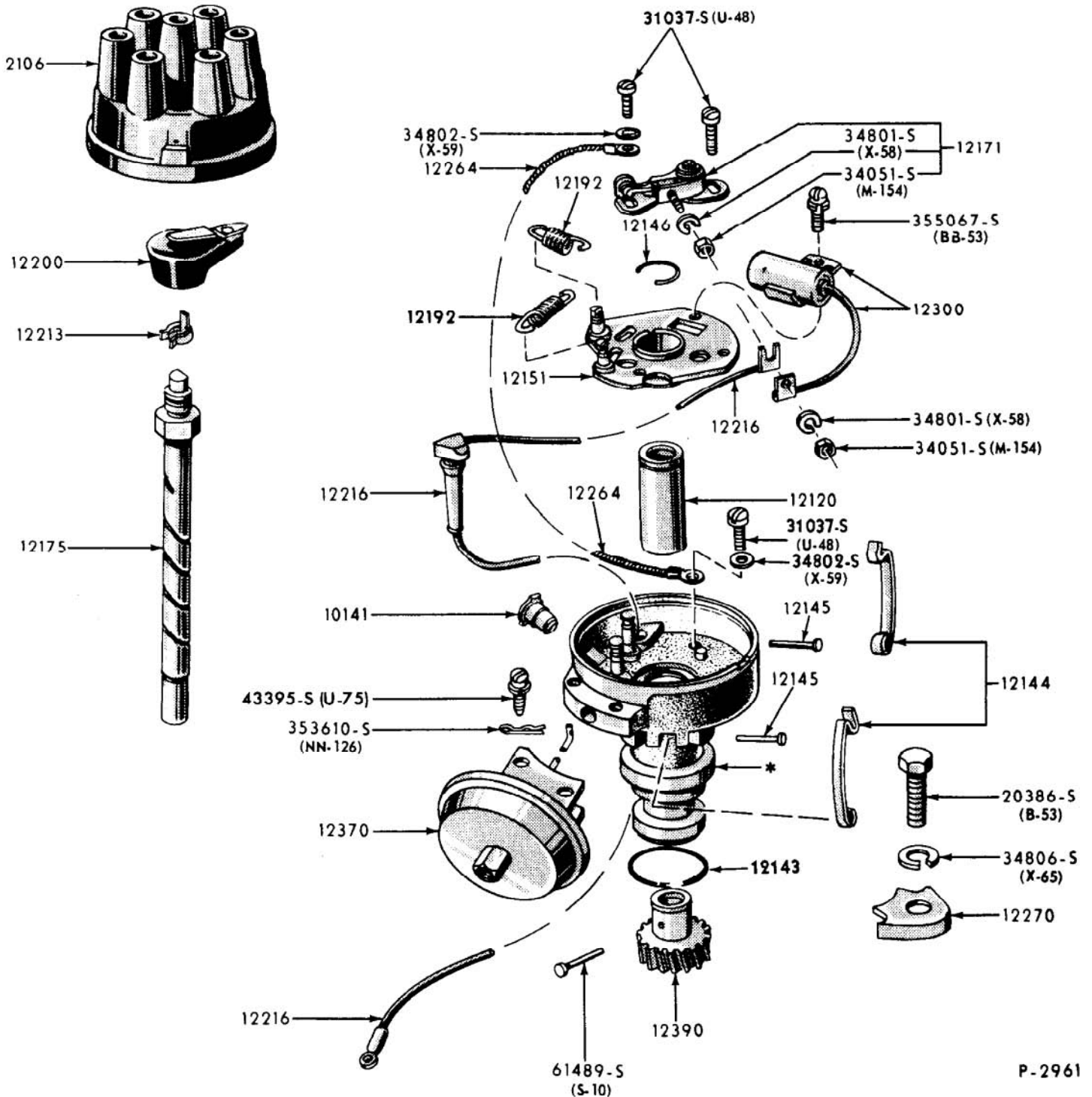


† SUPPLIED ONLY IN 12127 ASS'Y.

P-2926

BUY IT NOW!
 Click Here To Order

(PIVOT PLATE EXCEPT WITH STAMPED WEIGHTS)
 1965 / 67 8 CYLINDER - ALL



P-2961

100% SATISFACTION GUARANTEED

BUY IT NOW!

Click Here To Order

DISTRIBUTOR
 5 / 69 6 CYLINDER 170, 200 ENGINES



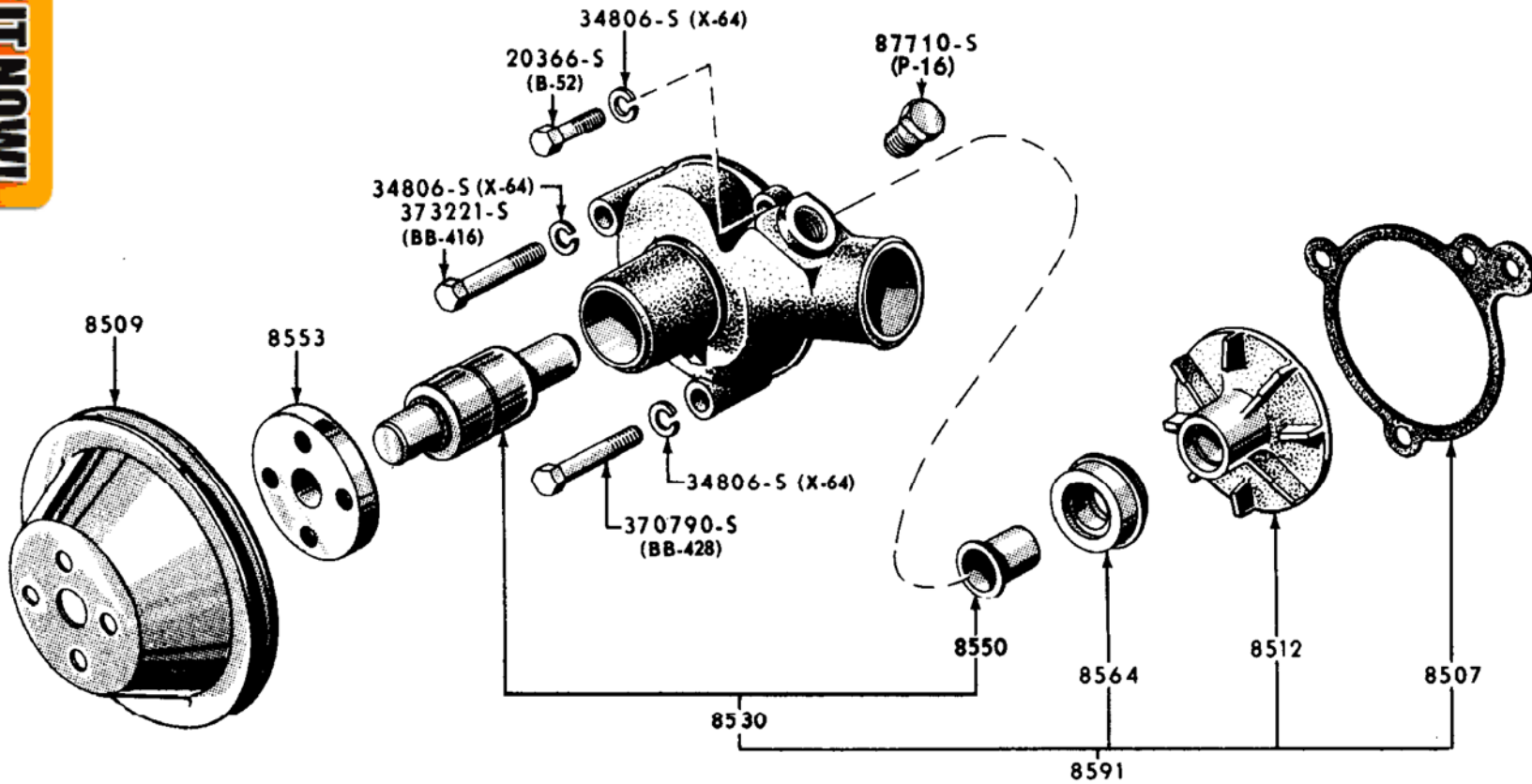




100% SATISFACTION GUARANTEED

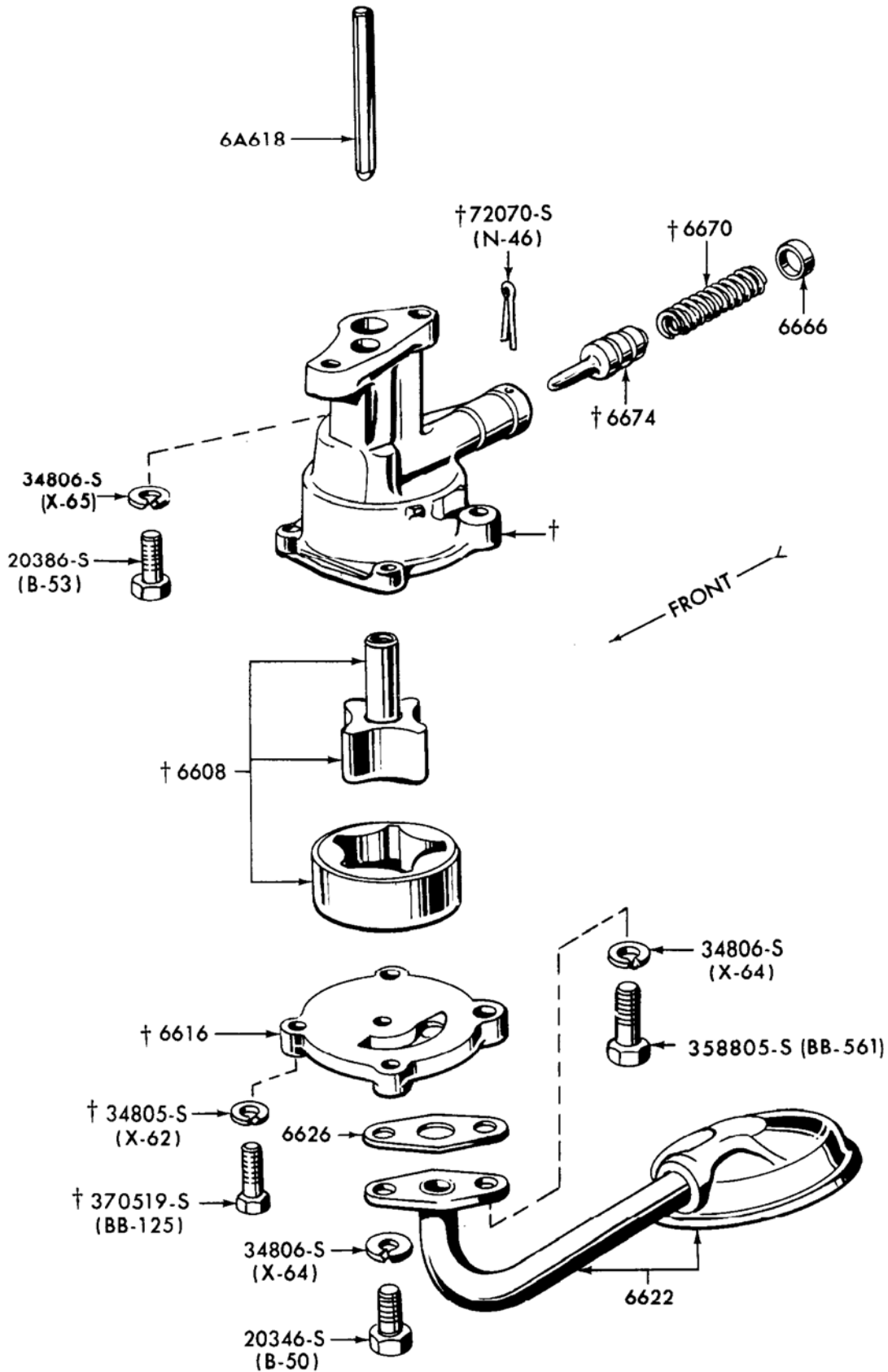
BUY IT NOW!

Click Here To Order



P-2962

WATER PUMP
 1965 / 72 6 CYLINDER 170, 200 AND 250



† SUPPLIED IN 6600 PUMP ASSEMBLY

P-2963



BUY IT NOW!

Click Here To Order



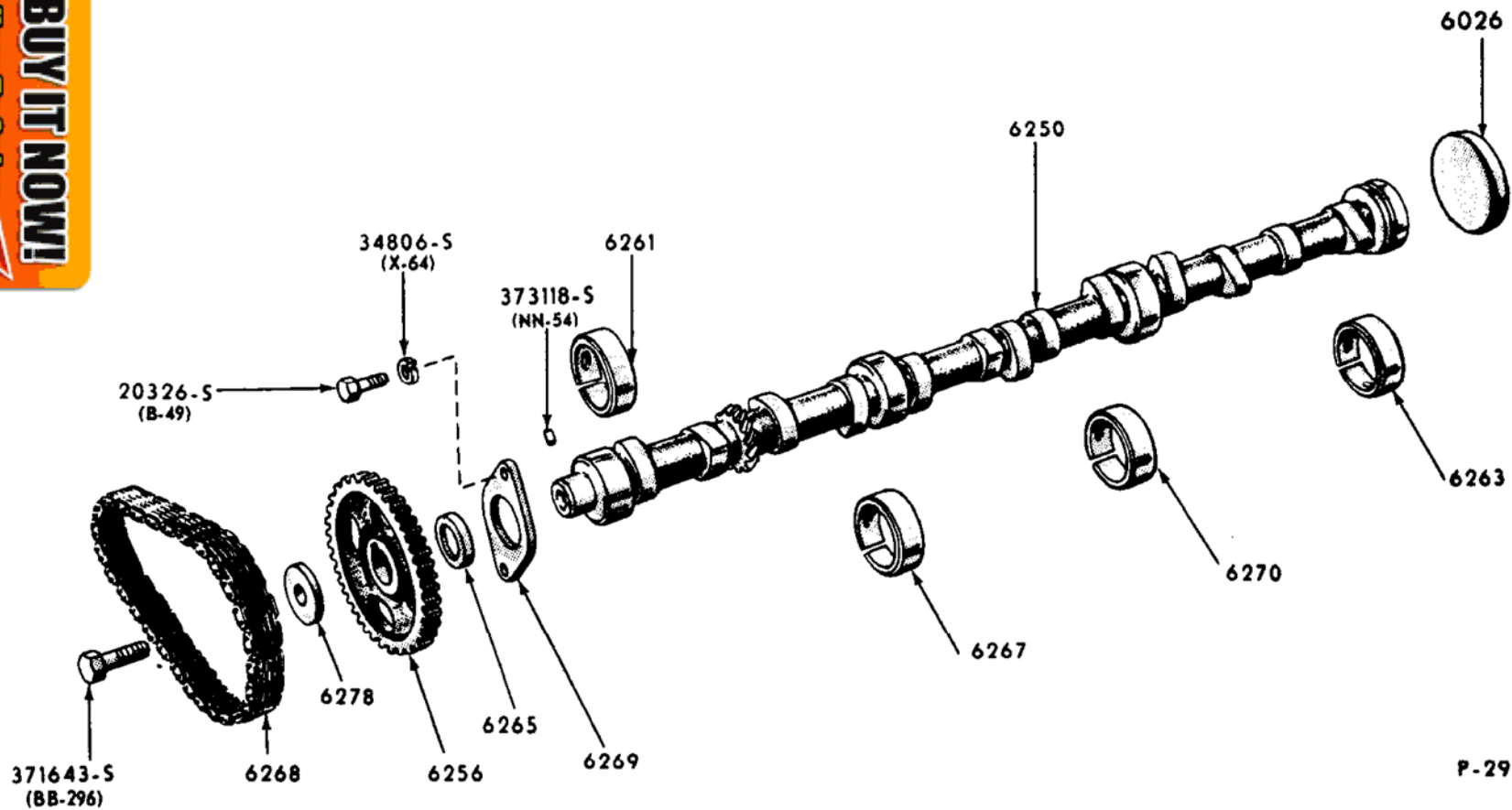
**PUMP AND RELATED PARTS -- TYPICAL
6 CYLINDER 170, 200 AND 250**










100% GUARANTEE
BUY IT NOW!
 Click Here To Order



P-2964

ENGINE CAMSHAFT, GEAR, BEARINGS AND RELATED PARTS -- TYPICAL
1965 / 72 6 CYLINDER 170, 200 AND 250

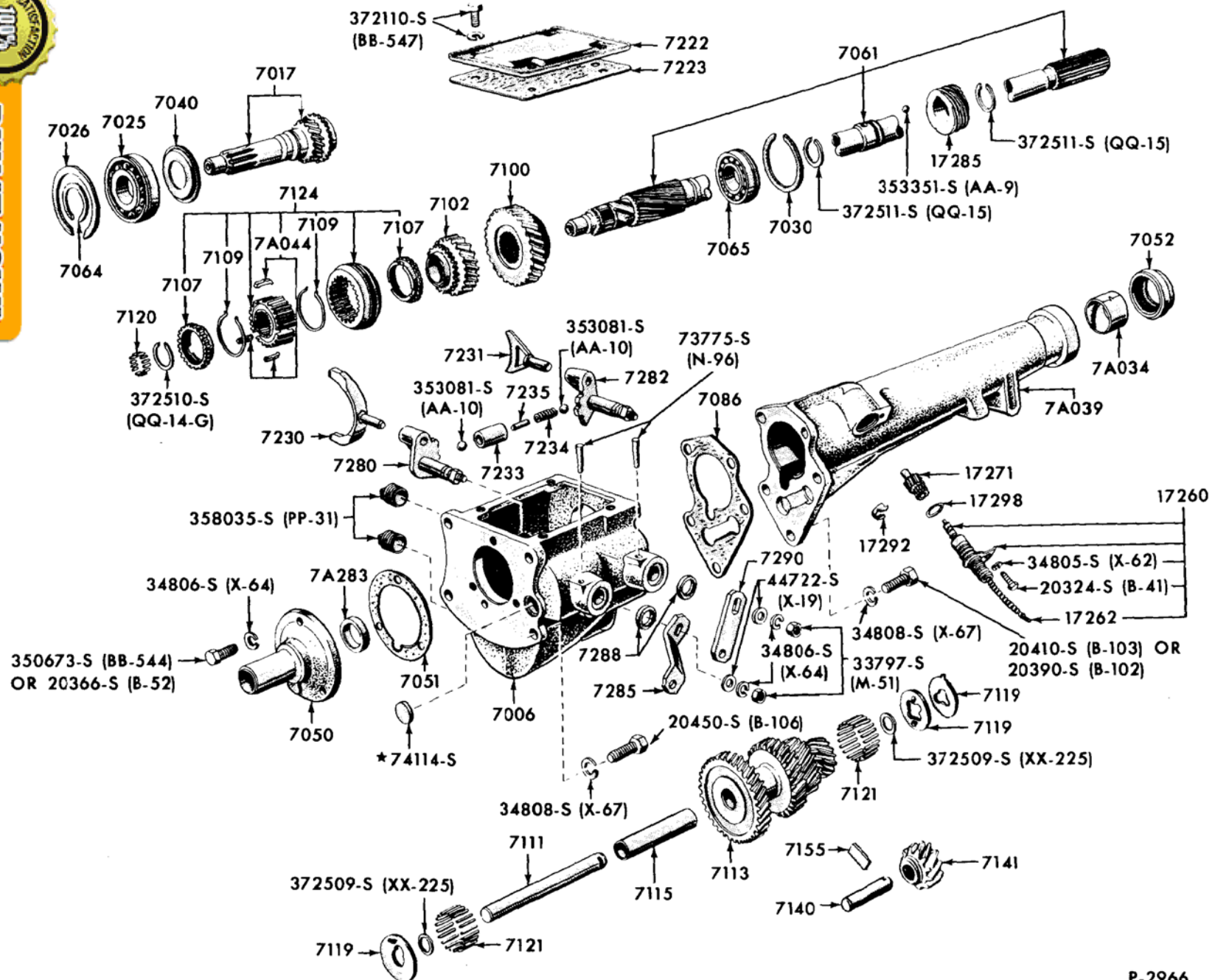



100% GUARANTEED

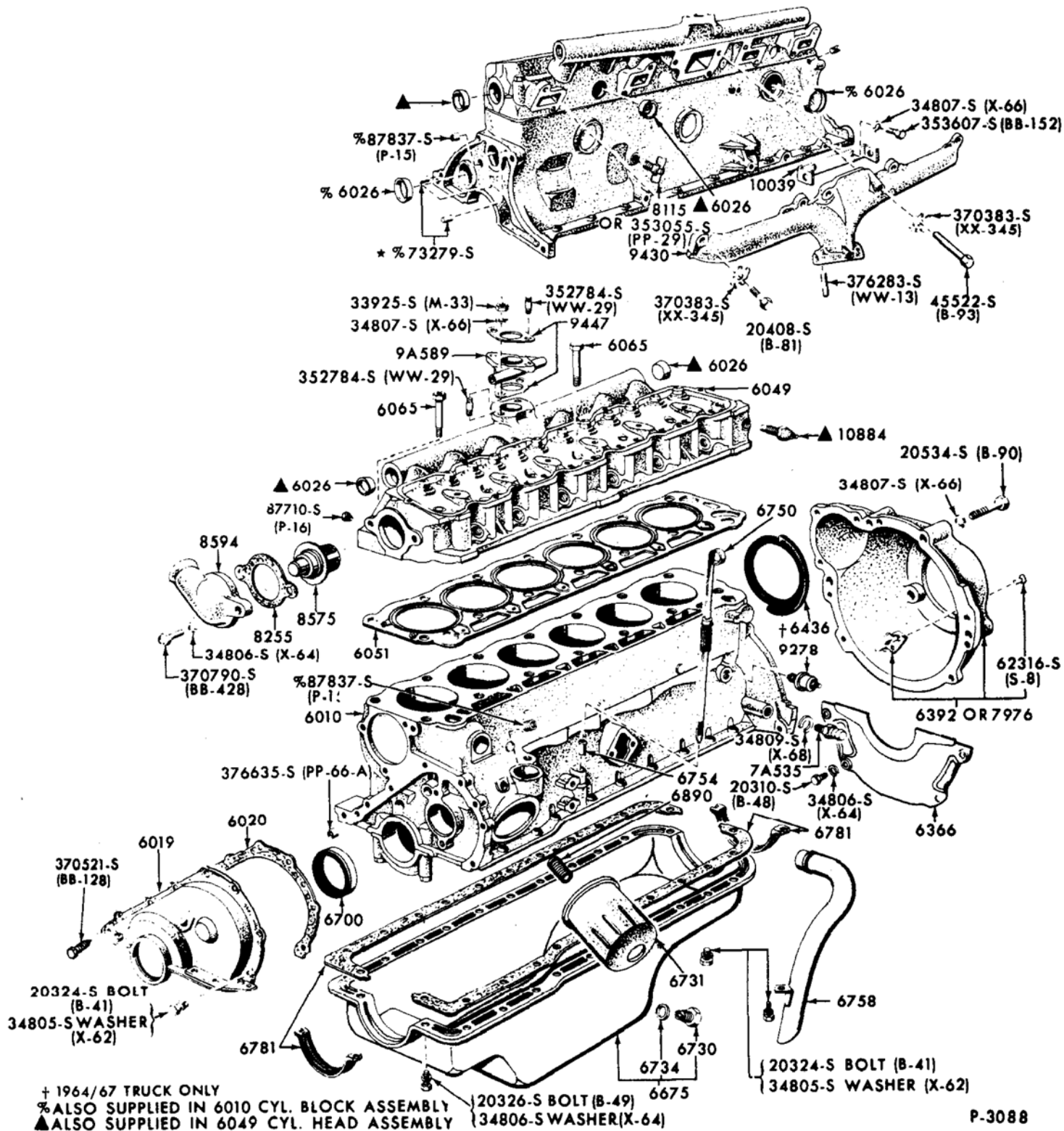
BUY IT NOW!

Click Here To Order



P-2966

3 SPEED MANUAL TRANSMISSION - 2.77 TYPE - TYPICAL
1965 / 67 FAIRLANE, MUSTANG, FALCON



P-3088

BUY IT NOW!
 Click Here To Order

CYLINDER BLOCK AND RELATED PARTS
FOR 170, 200 AND 250 ENGINES -- TYPICAL
1965 / 72



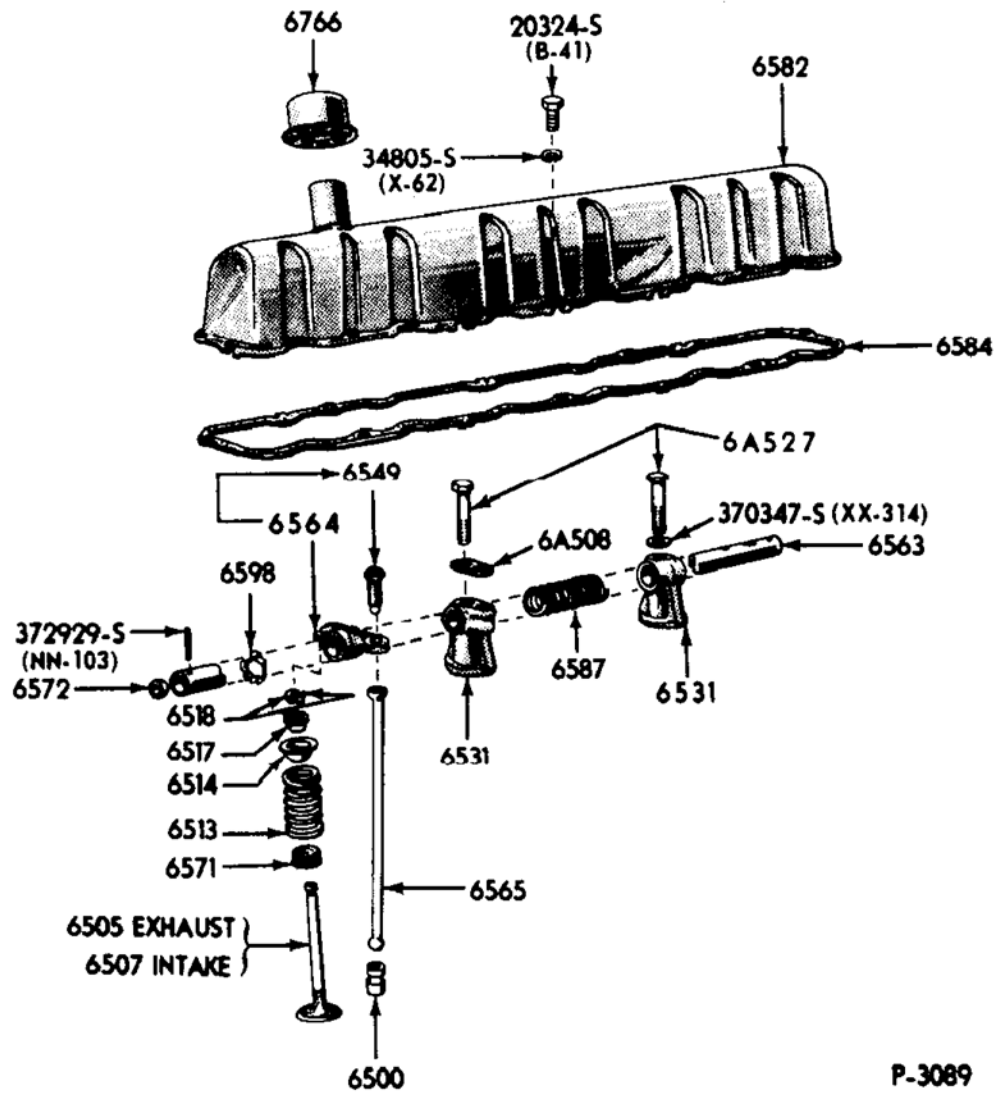




100% SATISFACTION GUARANTEED

BUY IT NOW!

Click Here To Order



ENGINE VALVES, PUSH RODS, ROCKER ARM COVER AND RELATED PARTS -- TYPICAL
1965/72 6 CYLINDER 170, 200 AND 250



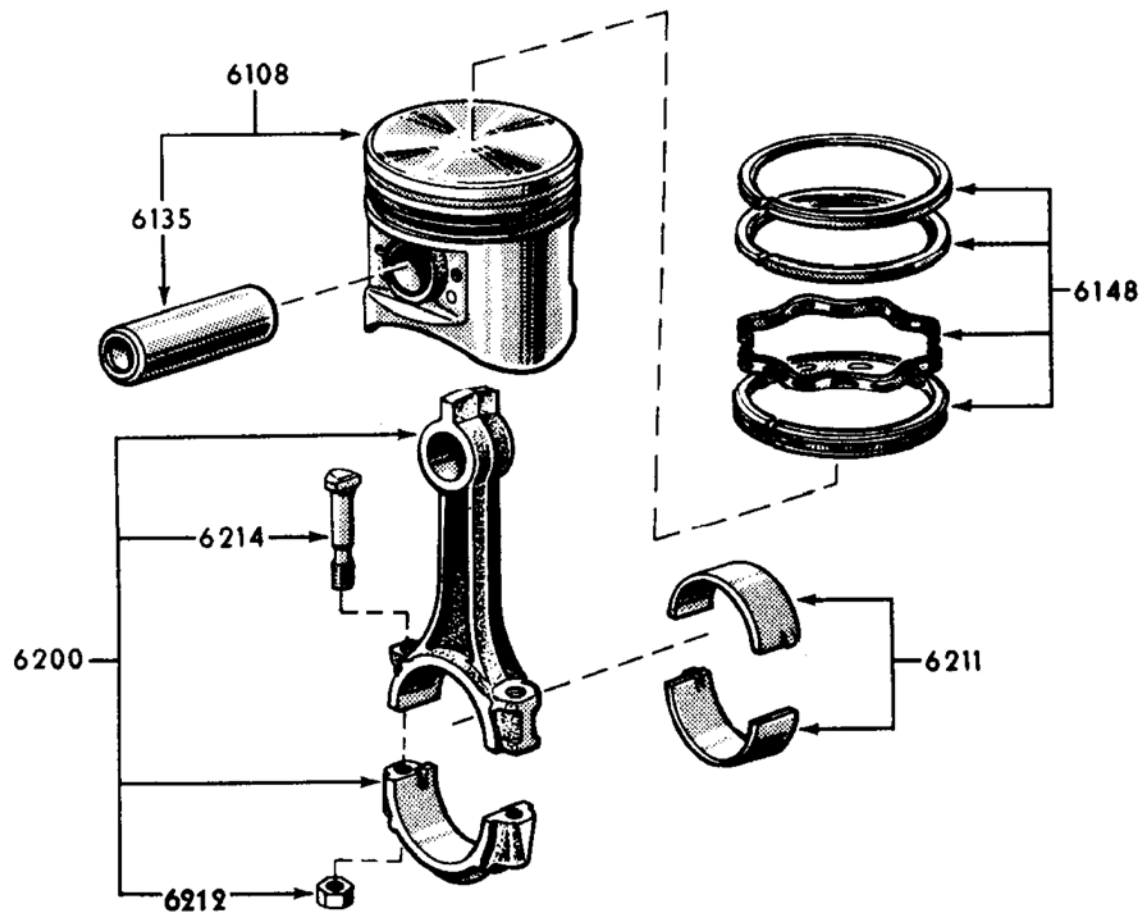




100% SATISFACTION GUARANTEED

BUY IT NOW!

Click Here To Order



P-3090

ENGINE PISTON, CONNECTION ROD AND RELATED PARTS -- TYPICAL
1965 /72 6 CYLINDER 170, 200 AND 250