



Copyright © 2009, Forel Publishing Company, LLC, Woodbridge, Virginia

All Rights Reserved. No part of this book may be used or reproduced in any manner whatsoever without written permission of Forel Publishing Company, LLC. For information write to Forel Publishing Company, LLC, 3999 Peregrine Ridge Ct., Woodbridge, VA 22192

1965 Mustang Part and Body Illustrations  
EAN: 978-1-60371-033-6  
ISBN: 1-60371-033-7

*Forel Publishing Company, LLC*  
*3999 Peregrine Ridge Ct.*  
*Woodbridge, VA 22192*  
*Email address: [webmaster@ForelPublishing.com](mailto:webmaster@ForelPublishing.com)*  
*Website: <http://www.ForelPublishing.com>*



This publication contains material that is reproduced and distributed under a license from Ford Motor Company. No further reproduction or distribution of the Ford Motor Company material is allowed without the express written permission of Ford Motor Company.

---

## Note from the Editor

This product was compiled using original Ford Motor Company publications. The contents of this product were extracted from: 1965/72 Ford Car Master Parts and Accessory Catalog (FP-7635- A and FP-7635- B).

---

## Disclaimer

Although every effort was made to ensure the accuracy of this book, no representations or warranties of any kind are made concerning the accuracy, completeness or suitability of the information, either expressed or implied. As a result, the information contained within this book should be used as general information only. The author and Forel Publishing Company, LLC shall have neither liability nor responsibility to any person or entity with respect to any loss or damage caused, or alleged to be caused, directly or indirectly by the information contained in this book. Further, the publisher and author are not engaged in rendering legal or other professional services. If legal, mechanical, electrical, or other expert assistance is required, the services of a competent professional should be sought.

---



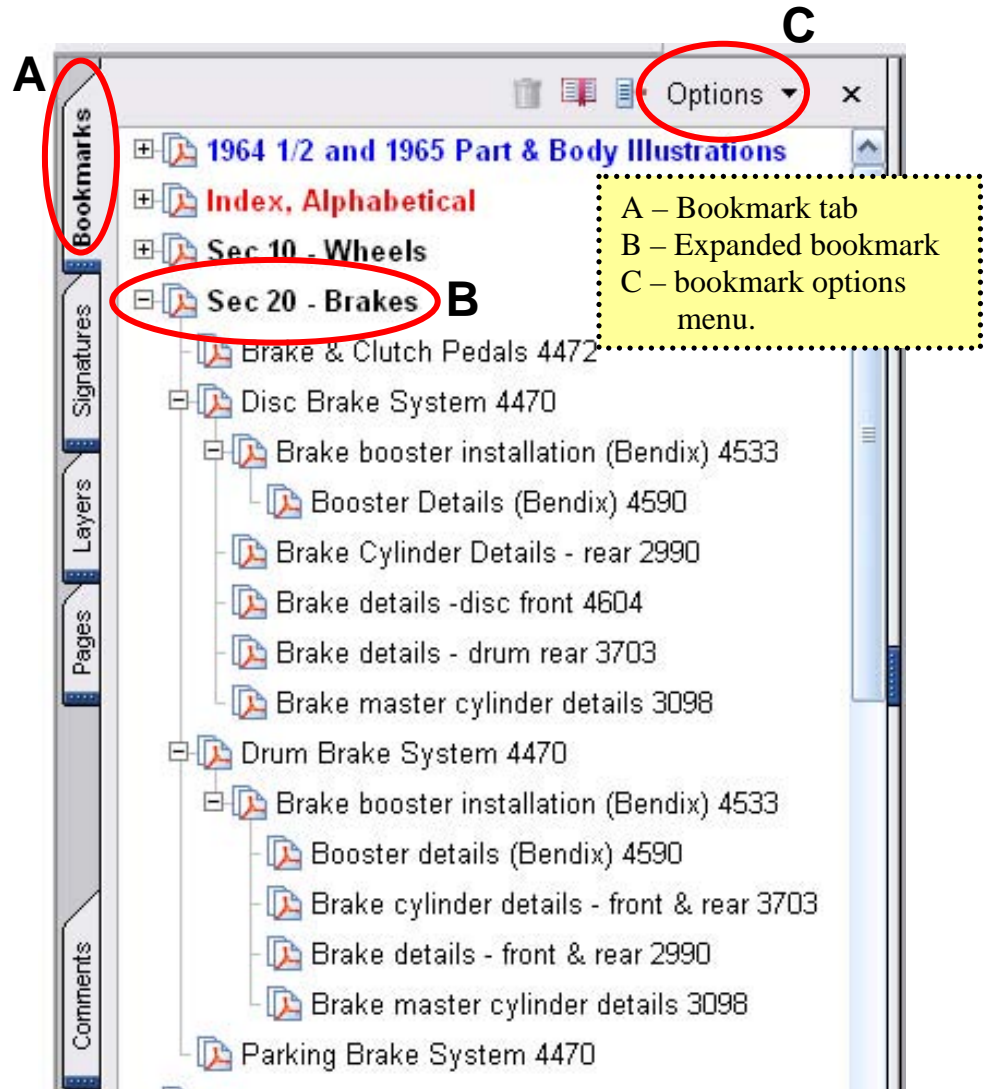
## Navigating with bookmarks

This manual is primarily organized using “bookmarks”. Bookmarks are found on the left side of the screen and allow the user to navigate directly to a specific location within the document.

To browse using a bookmark:

1. Click the Bookmarks tab on the left side of the window, or choose view>Navigation Tabs>Bookmarks to display bookmarks.
2. To jump to a topic using its bookmark, click the bookmark. Click the plus sign (+) next to a parent bookmark to expand it. Click the minus sign (-) next to a bookmark to hide its children.

Note: Clicking a bookmark might perform an action instead of taking you to another location. It depends on how the bookmark was defined. For example, a hyperlinked bookmark could take you to a website.



If the list of bookmarks disappears when you click a bookmark, click the Bookmarks tab to display the list again. If you want the Bookmarks tab to always remain open after you click a menu at the top of the Bookmarks panel, and make sure Hide After



## Basic Manual Organization

---

This manual is organized in three ways: **Illustration Number, Groupings by Sections** and **Alphabetical**.

### Illustration Number:

Each illustration has its own illustration number. For example, the illustration for Brake & Clutch Pedals is illustration number “P-4472” and the illustration for the Brake Cylinder Details is “P-2990”. The pages of this book are arranged in illustration number order. Therefore, illustration 4473 would follow 2990.

**Note:** Illustrations are in numerical, not alphabetical order.

### Groupings by Sections:

The grouping of diagrams by “section” is similar to how the Ford Motor Company originally organized its Master Parts and Accessories Catalog which contained both illustrations and part numbers to identify parts. For example, **Section 20 – Brakes** groups most brake related parts for this vehicle.

This manual uses bookmarks to follow that same organization and uses the same terms Ford used to identify the diagrams. In addition, the diagram number has been added to the end of the description. For example, **“Disc Brake System 4470”** is the basic name of the diagram and the diagram number is 4470. For the bookmarks and index’s in this manual, the “P-“ has been omitted.

#### Sec 20 - Brakes

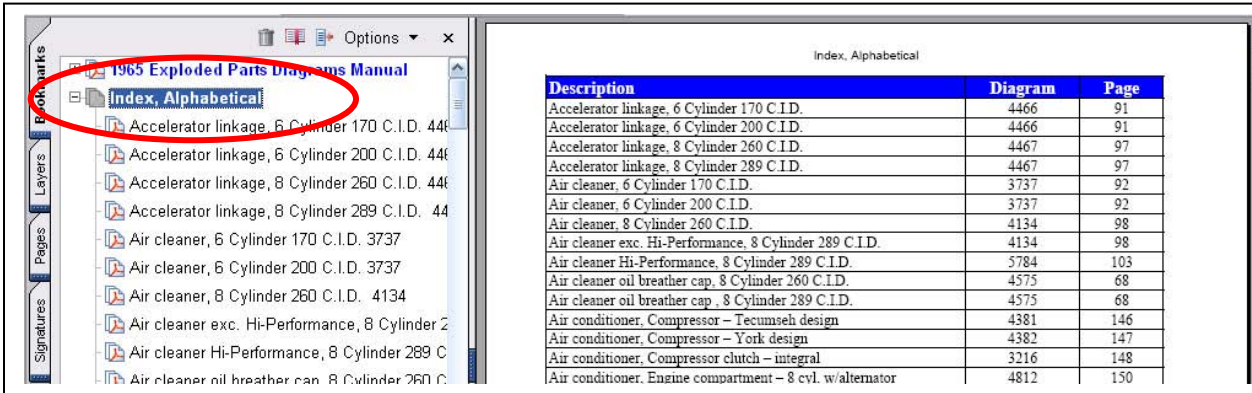
Brake & Clutch Pedals 4472  
Disc Brake System 4470  
    Brake booster installation (Bendix) 4533  
        Booster Details (Bendix) 4590  
Brake Cylinder Details - rear 2990  
Brake details -disc front 4604  
Brake details - drum rear 3703  
Brake master cylinder details 3098  
Drum Brake System 4470  
    Brake booster installation (Bendix) 4533  
        Booster details (Bendix) 4590  
    Brake cylinder details - front & rear 2990  
    Brake details - front & rear 2990  
    Brake master cylinder details 3098  
Parking Brake System 4470

The grouping of diagrams by number is useful in finding most diagrams related to a major group.



## Alphabetical:

The alphabetical listing is a simple alphabetized listing of all diagrams. In some cases, if the diagram contained more than one major component, the diagram may be identified more than once. Expand the “Index, Alphabetical” bookmark to view details. The associated page contains the description, diagram number and page number for easy reference.



Index, Alphabetical

Description	Diagram	Page
Accelerator linkage, 6 Cylinder 170 C.I.D.	4466	91
Accelerator linkage, 6 Cylinder 200 C.I.D.	4466	91
Accelerator linkage, 8 Cylinder 260 C.I.D.	4467	97
Accelerator linkage, 8 Cylinder 289 C.I.D.	4467	97
Air cleaner, 6 Cylinder 170 C.I.D.	3737	92
Air cleaner, 6 Cylinder 200 C.I.D.	3737	92
Air cleaner, 8 Cylinder 260 C.I.D.	4134	98
Air cleaner exc. Hi-Performance, 8 Cylinder 289 C.I.D.	4134	98
Air cleaner Hi-Performance, 8 Cylinder 289 C.I.D.	5784	103
Air cleaner oil breather cap, 8 Cylinder 260 C.I.D.	4575	68
Air cleaner oil breather cap, 8 Cylinder 289 C.I.D.	4575	68
Air conditioner, Compressor – Tecumseh design	4381	146
Air conditioner, Compressor – York design	4382	147
Air conditioner, Compressor clutch – integral	3216	148
Air conditioner, Engine compartment – 8 cyl. w/alternator	4812	150

**Note:** Illustrations are in numerical, not alphabetical order.



Index, Numerical Order  
1965 Mustang Part and Body Illustrations

Diagram	Description	Page
1246	Oil filters - cartridge type	18
1535	Voltage Regulator – typical (Generator)	19
2130	Rear Axle Non-Locking (separate carrier)	20
2384	Oil filters - spin-on type	21
2819	Rear Axle Locking - Equa Lock (separate carrier)	22
2926	Distributor (8 cylinder - Pivot Plate type-exc. With stamped weights)	23
2961	Distributor (6 cylinder 200 engines)	24
2962	Water Pumps, 6 cyl. - 200, 250 engines	25
2963	Oil pump, 6 Cylinder 200, 250 C.I.D.	26
2964	Camshaft, gear and bearings, 6 Cylinder 200, 250 C.I.D.	27
2965	Crankshaft and flywheel, 6 Cylinder 170 C.I.D.	28
2966	Transmission, Manual, 3 Speed manual trans 2.77 type	29
2990	Brake cylinder details - front & rear	30
3088	Cylinder block, 6 Cylinder 200, 250 C.I.D.	31
3089	Valves, push rods and rocker arm cover, 6 Cylinder	32
3090	Piston and connecting rod, 6 Cylinder 200, 250 C.I.D.	33
3098	Brake master cylinder details	34
3118	Front and rear wheel, hub, & bearing	35
3120	Front Suspension	36
3121	Steering Linkage - 6 cyl.	37
3122	Steering Gear Details	38
3125	Springs	39
3129	Shock absorber - front	40
3137	Shock absorber - rear	41
3144	Drive Shaft	42
3147	Cooling Systems, 6 & 8 Cyl. Engines	43
3191	Starter and Drive Assy. – Positive Engagement	44
3192	Generator and Related Parts (Ford 15 volt – 25, 30 amp)	45
3216	Air conditioner, Compressor clutch (integral)	46
3446	Interior trim parts, folding top compartment trim	47
3475	Distributor (6 cylinder 240 engines)	48
	Automatic, Vacuum throttle valve, lines and fittings -	49



**BUY IT NOW!**

**Click Here To Order**



Index, Numerical Order  
1965 Mustang Part and Body Illustrations

Diagram	Description	Page
3703	Brake details - drum rear	50
3715	Fuel pump, 8 Cylinder 260/289 C.I.D.	51
3726	Valves, push rods and rocker arm cover, 6 Cyl and 8 Cyl 260,	52
3727	Cylinder head, valves, and related parts, 8 Cyl.	53
3732	Piston and connecting rod, 6 Cyl and 8 Cyl 260, 289,302,351,400,429,460 C.I.D.	54
3733	Camshaft, gear and bearings, 8 Cylinder 289 C.I.D.	55
3734	Crankshaft and flywheel, 8 Cylinder 289 C.I.D.	56
3736	Oil pump, 8 Cylinder 260, 289,302,351,400,429,460 C.I.D.	57
3737	Air cleaner, 6 Cylinder 200 C.I.D.	58
3742	Intake manifold & related parts, 8 Cylinder 289 CID Engine	59
3744	Transmission, Manual, Warner 4 speed less forks, 1	60
3745	Transmission, Manual, Warner 4 speed forks, levers	61
3767	Cylinder block and cylinder head, 8 Cylinder 289 C	62
3772	Water Pumps, 8 cyl. - 260, 289 engines (without cover)	63
3843	Alternator (Leece Neville 15 volt-60, 65 amp)	64
3849	Alternator (Leece Neville 15 volt-40, 53 amp)	65
3903	Transmission, Manual, Dagenham 4 speed less forks,	66
3904	Transmission, Manual, Dagenham 4 speed forks, lever	67
4012	Transmission, Manual, 3 Speed manual trans 3.03 type	68
4020	Ventilating ducts	69
4134	Air cleaner exc. Hi-Performance, 8 Cylinder	70
4139	Steering Linkage - 6 & 8 cyl. with Eaton pump	71
4146	Intake manifold type-open system, 8 Cylinder 289 C	72
4148	Transmission Oil cooling system, automatic - typical	73
4180	Cylinder Details	74
4200	Wiper motor (2 speed Ford electric)	75
4326	Transmission C4 Type, Case, converter assy., extension, pump - typical	76
4327	Transmission C4 Type, Clutches, gears, shafts, rear support - typical	77
4328	Transmission C4 Type, Servo and band, front - typical	78
4329	Transmission C4 Type, Servo and band, rear - typical	79
	Transmission C4 Type, Parking pawl, throttle and manual control al	80
	Cylinder 200 C.I.D.	81



**BUY IT NOW!**

**Click Here To Order**



Index, Numerical Order  
1965 Mustang Part and Body Illustrations

Diagram	Description	Page
4381	Air conditioner, Compressor (Tecumseh design)	82
4382	Air conditioner, Compressor ( York design)	83
4389	Rocker arm cover type-open system, 6 Cylinder 200	84
4424	Transmission, Manual, Ford 4 speed	85
4455	Front seats – bucket - body types 63A, 65, and 76A	86
4456	Interior trim parts (Two door hardtop formal roof)	87
4457	Interior trim parts (Convertible)	88
4458	Radiator Grille and Related Parts	89
4459	Battery Carrier and Related Parts	90
4460	Headlamp	91
4461	Parking Lamp	92
4462	Hood	93
4463	Rear lamp, back up & license plate	94
4464	Bumper, Front	95
4465	Bumper, Rear	96
4466	Accelerator linkage, 6 Cylinder 170, 200 C.I.D. Engines	97
4467	Accelerator linkage, 8 Cylinder 280, 289 C.I.D. Engines	98
4470	Brake System, Disc/Drum	99
4472	Brake & Clutch Pedals	100
4476	Back window – body type 65	101
4477	Latch parts – body type 65, 70 (luggage compartment)	102
4478	Roof side mouldings and weatherstrips – body type 65	103
4479	Folding top parts – less trim – body type 76	104
4483	Steering Linkage - 8 cyl.	105
4486	Sheet Metal, Two door hardtop fastback/formal roof	106
4487	Sheet Metal, Convertible - Under body	107
4488	Sheet Metal, Two door hardtop formal roof - Upper	108
4489	Sheet Metal, Convertible - Upper body	109
4490	Exterior Moulding, All,	110
4491	Windshield – body types 63, 65	111
4492	Windshield - body type 76	112
4493	Window, Rear (without A/C)	113
4494	Window, Front (front door)	114



**BUY IT NOW!**

**Click Here To Order**



Index, Numerical Order  
1965 Mustang Part and Body Illustrations

Diagram	Description	Page
4495	Handles and latch parts (front door)	115
4496	Window parts (quarter) – body types 65, 76	116
4498	Wiring System	117
4499	Fuel System	118
4500	Engine Supports	119
4501	Transmission Automatic, Shift control selector mechanism, Automatic	120
4507	Transmission C4 Type, Main control valve body assy. (Basic 7A100) - typical	121
4508	Alternator (Ford 15 volt-38, 42, 45, 55, 60 amp)	122
4514	Horn Ring, Steering Wheel and related parts – non-woodgrain wheel	123
4516	Transmission, Manual, 3 speed trans, Gear shift mechanism - console or floor mtd	124
4524	Windshield Wiper	125
4525	Washer, windshield	126
4526	Carburetor – Ford 2V, 8 Cylinder 289 C.I.D.	127
4527	Carburetor – Ford 4V, 8 Cylinder 289 C.I.D.	128
4533	Brake booster installation (Bendix)	129
4540	Heater	130
4543	Mirror – remote control	131
4548	Convertible top, wiring	132
4549	Air conditioner, Passenger compartment – hang-on	133
4573	Air conditioner, Engine compartment – hang-on 6 cy	134
4574	Pump Details - Ford Type	135
4575	Air cleaner oil breather cap , Closed System	136
4590	Booster Details (Bendix)	137
4592	Emission Reduction System, rocker arm cover type-open system	138
4596	Jack and spare wheel parts	139
4602	Console – with A/C	140
4604	Brake details -disc front	141
4605	Power Steering System - 8 cyl.	142
4606	Power Steering System - 6 cyl.	143
4610	Sheet Metal Two door hardtop fastback roof - Uppe	144
	Ford Type, 6 Cylinder 200 C.I.D.	145
	p – instrument panel mounted	146



**BUY IT NOW!**

**Click Here To Order**



Index, Numerical Order  
1965 Mustang Part and Body Illustrations

Diagram	Description	Page
4735	Courtesy lamp – quarter panel mounted	147
4764	Rear seat – folding – body type 63	148
4767	Interior trim parts (Two door hardtop fastback roof)	149
4795	Air extractor parts (quarter) – body type 63	150
4812	Air conditioner, Engine compartment (8 cyl. w/alt)	151
4838	Roof side mouldings and weatherstrips – body type 63	152
4839	Back window – body type 63	153
4844	Latch parts – body type 63 (luggage compartment)	154
4862	Transmission Automatic, bushings	155
4863	Luggage and ski carrier – non adjustable – roof mounted	156
4885	Front seat – full width	157
4889	Fog, lights	158
4899	Crankshaft and flywheel, 6 Cylinder 200, 250 C.I.D.	159
4921	Emergency Warning Flasher	160
4924	Distributor (8 cylinder – with stamped weights)	161
4926	Courtesy lamp – Door mounted	162
4940	Thermostatic choke control - except Hi-Performance	163
4955	Steering Wheel, 3 Spoke – woodgrain wheel	164
5143	Water Pumps, 8 cyl. - 289, 302, 351W engine (with cover)	165
5376	Wiper motor (single speed Ford electric)	166
5525	Voltage Regulator (Ford 15 volt, negative ground)	167
5526	Starter Drive (Ford 12 volt – positive engagement)	168
5741	Alternator (Leece Neville 15 volt-53, 60, 65 amp)	169
5784	Air cleaner Hi-Performance, 8 Cylinder 289 C.I.D.	170
5796	Rear Axle Equa Lock (integral carrier) and Non-Locking (integral carrier)	171
5810	Transmission, Manual, Ford 4 speed, Gear shift mechanism - console or floor mtd	172
6366	Steering column - floor shift	173
6980	Hinges - front door upper	174
6981	Hinges – front door lower	175
	Details - 8 cyl.	176
	Details - 6 cyl.	177
	Holley Type, 6 Cylinder 200 C.I.D.	178



**BUY IT NOW!**

**Click Here To Order**



Index, Numerical Order  
1965 Mustang Part and Body Illustrations

Diagram	Description	Page
8393	Engine assembly, 8 Cylinder 260 C.I.D.	179
8396	Engine assembly, 8 Cylinder 289 C.I.D.	180
8398	Engine assembly, 6 Cylinder 200, 250 C.I.D.	181
8408	Rocker arm cover type-closed system, 6 Cylinder 200, 250	182
8972	Instrument panel and pad – w/gauges	183
8973	Instrument Cluster and Related Parts – w/Gauges	184
8984	Instrument panel and pad – w/indicator lights	185
8985	Instrument Cluster and Related Parts – w/Warning Lights	186
9205	Fender and apron sheet metal	187
9579	Pump Details - Eaton Type	188
10675	Auxiliary air spring installation	189
11536	Child safety seat	190
EA-21	Exhaust System, Regular Fuel, Single Exhaust	191
EA-22	Exhaust System, Single Exhaust	192
EA-27	Exhaust System, Regular Fuel, GT, Shelby, dual Exhaust from 10/15/64	193
EA-28	Exhaust System, Transverse, Before 10/15/64	194
EA-45	Exhaust System, In-line, Before 10/15/64	195



Index, Alphabetical Order  
1965 Mustang Part and Body Illustrations

Description	Diagram	Page
Accelerator linkage, 6 Cylinder 170, 200 C.I.D. Engines	4466	97
Accelerator linkage, 8 Cylinder 280, 289 C.I.D. Engines	4467	98
Air cleaner exc. Hi-Performance, 8 Cylinder	4134	70
Air cleaner Hi-Performance, 8 Cylinder 289 C.I.D.	5784	170
Air cleaner oil breather cap , Closed System	4575	136
Air cleaner, 6 Cylinder 200 C.I.D.	3737	58
Air conditioner, Compressor ( York design)	4382	83
Air conditioner, Compressor (Tecumseh design)	4381	82
Air conditioner, Compressor clutch (integral)	3216	46
Air conditioner, Engine compartment – hang-on 6 cy	4573	134
Air conditioner, Engine compartment (8 cyl. w/alt)	4812	151
Air conditioner, Passenger compartment – hang-on	4549	133
Air extractor parts (quarter) – body type 63	4795	150
Alternator (Ford 15 volt-38, 42, 45, 55, 60 amp)	4508	122
Alternator (Leece Neville 15 volt-40, 53 amp)	3849	65
Alternator (Leece Neville 15 volt-53, 60, 65 amp)	5741	169
Alternator (Leece Neville 15 volt-60, 65 amp)	3843	64
Auxiliary air spring installation	10675	189
Back window – body type 63	4839	153
Back window – body type 65	4476	101
Battery Carrier and Related Parts	4459	90
Booster Details (Bendix)	4590	137
Brake & Clutch Pedals	4472	100
Brake booster installation (Bendix)	4533	129
Brake cylinder details - front & rear	2990	30
Brake details - drum rear	3703	50
Brake details -disc front	4604	141
Brake master cylinder details	3098	34
Brake System, Disc/Drum	4470	99
Bumper, Front	4464	95
Bumper, Rear	4465	96
Brake System, Disc/Drum, 6 Cylinder 200, 250 C.I.D.	2964	27
Brake System, Disc/Drum, 8 Cylinder 289 C.I.D.	3733	55

**SATISFACTION 100% GUARANTEED**

**BUY IT NOW!**

**Click Here To Order**

PayPal American Express Discover MasterCard VISA

Index, Alphabetical Order  
1965 Mustang Part and Body Illustrations

Description	Diagram	Page
Carburetor – Ford 2V, 8 Cylinder 289 C.I.D.	4526	127
Carburetor – Ford 4V, 8 Cylinder 289 C.I.D.	4527	128
Carburetor – Ford Type, 6 Cylinder 200 C.I.D.	4728	145
Carburetor – Holley Type, 6 Cylinder 200 C.I.D.	7460	178
Child safety seat	11536	190
Console – with A/C	4602	140
Console – without A/C	4493	113
Control Valve Details - 6 cyl.	7454	177
Control Valve Details - 8 cyl.	7453	176
Convertible top, wiring	4548	132
Cooling Systems, 6 & 8 Cyl. Engines	3147	43
Courtesy lamp – Door mounted	4926	162
Courtesy lamp – instrument panel mounted	4734	146
Courtesy lamp – quarter panel mounted	4735	147
Crankshaft and flywheel, 6 Cylinder 170 C.I.D.	2965	28
Crankshaft and flywheel, 6 Cylinder 200, 250 C.I.D.	4899	159
Crankshaft and flywheel, 8 Cylinder 289 C.I.D.	3734	56
Cylinder block and cylinder head, 8 Cylinder 289 C	3767	62
Cylinder block, 6 Cylinder 200, 250 C.I.D.	3088	31
Cylinder Details	4180	74
Cylinder head, valves, and related parts, 8 Cyl.	3727	53
Distributor (6 cylinder 200 engines)	2961	24
Distributor (6 cylinder 240 engines)	3475	48
Distributor (8 cylinder - Pivot Plate type-exc. With stamped weights)	2926	23
Distributor (8 cylinder – with stamped weights)	4924	161
Drive Shaft	3144	42
Emergency Warning Flasher	4921	160
Emission Reduction System, rocker arm cover type-open system	4592	138
Engine assembly, 6 Cylinder 200, 250 C.I.D.	8398	181
Engine assembly, 8 Cylinder 260 C.I.D.	8393	179
Engine assembly, 8 Cylinder 289 C.I.D.	8396	180
Engine assembly, 8 Cylinder 289 C.I.D.	4500	119
Engine assembly, 8 Cylinder 289 C.I.D.	EA-45	195

**100% SATISFACTION GUARANTEED**

**BUY IT NOW!**

**Click Here To Order**

PayPal American Express Discover MasterCard VISA

Index, Alphabetical Order  
1965 Mustang Part and Body Illustrations

Description	Diagram	Page
Exhaust System, Regular Fuel, GT, Shelby, dual Exhaust from 10/15/64	EA-27	193
Exhaust System, Regular Fuel, Single Exhaust	EA-21	191
Exhaust System, Single Exhaust	EA-22	192
Exhaust System, Transverse, Before 10/15/64	EA-28	194
Exterior Moulding, All,	4490	110
Fender and apron sheet metal	9205	187
Fog, lights	4889	158
Folding top parts – less trim – body type 76	4479	104
Front and rear wheel, hub, & bearing	3118	35
Front seat – full width	4885	157
Front seats – bucket - body types 63A, 65, and 76A	4455	86
Front Suspension	3120	36
Fuel pump, 6 Cylinder 200 C.I.D.	4367	81
Fuel pump, 8 Cylinder 260/289 C.I.D.	3715	51
Fuel System	4499	118
Generator and Related Parts (Ford 15 volt – 25, 30 amp)	3192	45
Handles and latch parts (front door)	4495	115
Headlamp	4460	91
Heater	4540	130
Hinges – front door lower	6981	175
Hinges - front door upper	6980	174
Hood	4462	93
Horn Ring, Steering Wheel and related parts – non-woodgrain wheel	4514	123
Instrument Cluster and Related Parts – w/Gauges	8973	184
Instrument Cluster and Related Parts – w/Warning Lights	8985	186
Instrument panel and pad – w/gauges	8972	183
Instrument panel and pad – w/indicator lights	8984	185
Intake manifold & related parts, 8 Cylinder 289 CID Engine	3742	59
Intake manifold type-open system, 8 Cylinder 289 C	4146	72
Interior trim parts (Convertible)	4457	88
Interior trim parts (Top door or hardtop fastback roof)	4767	149
Interior trim parts (Top door or hardtop formal roof)	4456	87
Interior trim parts (Top door or hardtop compartment trim)	3446	47



**BUY IT NOW!**

**Click Here To Order**



Index, Alphabetical Order  
1965 Mustang Part and Body Illustrations

Description	Diagram	Page
Jack and spare wheel parts	4596	139
Latch parts – body type 63 (luggage compartment)	4844	154
Latch parts – body type 65, 70 (luggage compartment)	4477	102
Luggage and ski carrier – non adjustable – roof mounted	4863	156
Mirror – remote control	4543	131
Oil filters - cartridge type	1246	18
Oil filters - spin-on type	2384	21
Oil pump, 6 Cylinder 200, 250 C.I.D.	2963	26
Oil pump, 8 Cylinder 260, 289,302,351,400,429,460 C.I.D.	3736	57
Parking Lamp	4461	92
Piston and connecting rod, 6 Cyl and 8 Cyl 260, 289,302,351,400,429,460 C.I.D.	3732	54
Piston and connecting rod, 6 Cylinder 200, 250 C.I.D.	3090	33
Power Steering System - 6 cyl.	4606	143
Power Steering System - 8 cyl.	4605	142
Pump Details - Eaton Type	9579	188
Pump Details - Ford Type	4574	135
Radiator Grille and Related Parts	4458	89
Rear Axle Equa Lock (integral carrier) and Non-Locking (integral carrier)	5796	171
Rear Axle Locking - Equa Lock (separate carrier)	2819	22
Rear Axle Non-Locking (separate carrier)	2130	20
Rear lamp, back up & license plate	4463	94
Rear seat – folding – body type 63	4764	148
Rocker arm cover type-closed system, 6 Cylinder 200, 250	8408	182
Rocker arm cover type-open system, 6 Cylinder 200	4389	84
Roof side mouldings and weatherstrips – body type 63	4838	152
Roof side mouldings and weatherstrips – body type 65	4478	103
Sheet Metal, Convertible - Under body	4487	107
Sheet Metal, Convertible - Upper body	4489	109
Sheet Metal, Two door hardtop fastback roof - Uppe	4640	144
Sheet Metal, Two door hardtop fastback/formal roof	4486	106
Sheet Metal, Two door hardtop formal roof - Upper	4488	108

**100% SATISFACTION GUARANTEED**

**BUY IT NOW!**

**Click Here To Order**

PayPal American Express Discover MasterCard VISA



Index, Alphabetical Order  
1965 Mustang Part and Body Illustrations

Description	Diagram	Page
Valves, push rods and rocker arm cover, 6 Cylinder	3089	32
Ventilating ducts	4020	69
Voltage Regulator – typical (Generator)	1535	19
Voltage Regulator (Ford 15 volt, negative ground)	5525	167
Washer, windshield	4525	126
Water Pumps, 6 cyl. - 200, 250 engines	2962	25
Water Pumps, 8 cyl. - 260, 289 engines (without cover)	3772	63
Water Pumps, 8 cyl. - 289, 302, 351W engine (with cover)	5143	165
Window parts (front door) 4494	4494	114
Window parts (quarter) – body types 65, 76	4496	116
Windshield – body type 76	4492	112
Windshield – body types 63, 65	4491	111
Windshield Wiper	4524	125
Wiper motor (2 speed Ford electric)	4200	75
Wiper motor (single speed Ford electric)	5376	166
Wiring System	4498	117





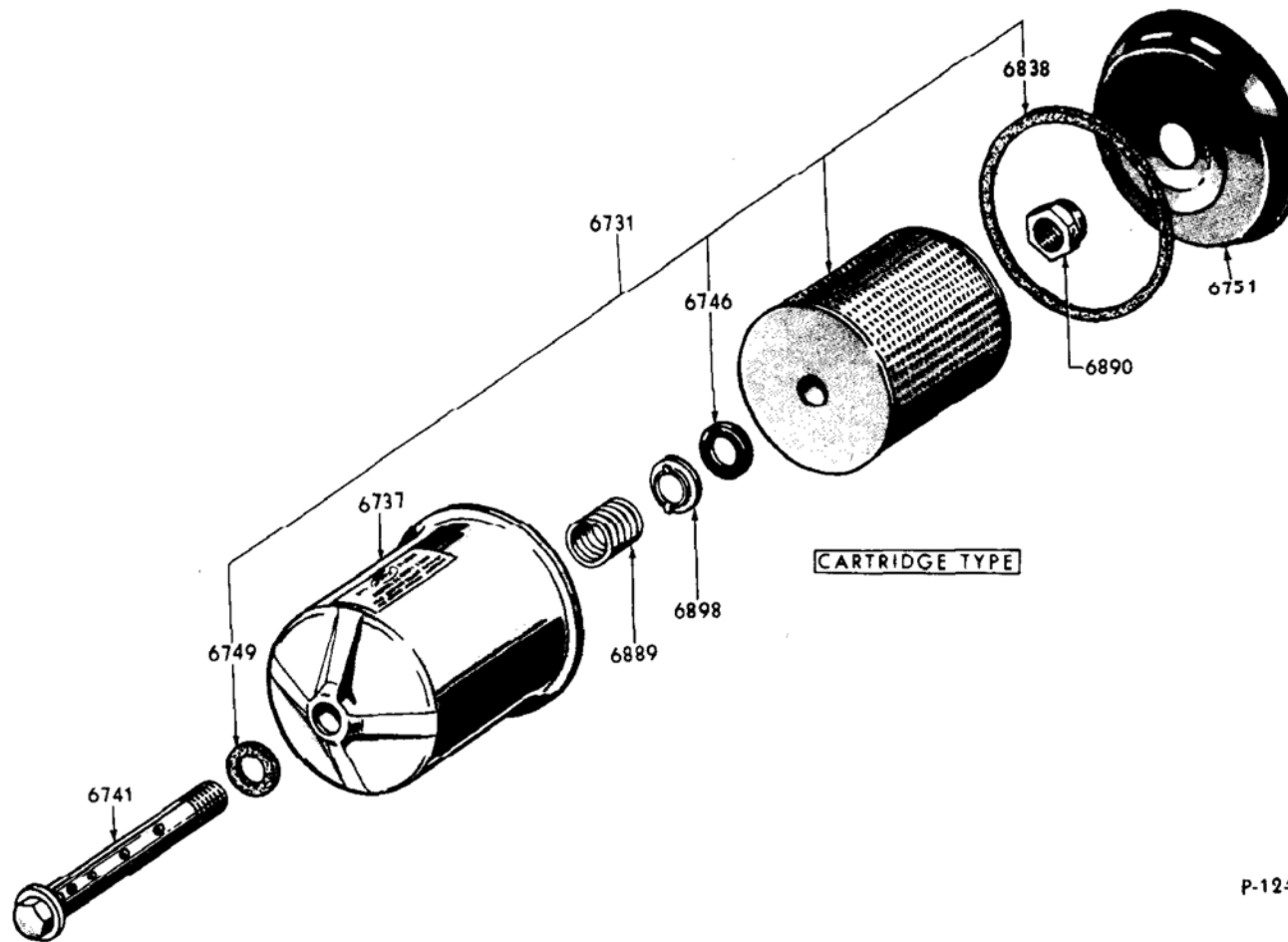




**100% SATISFACTION GUARANTEED**

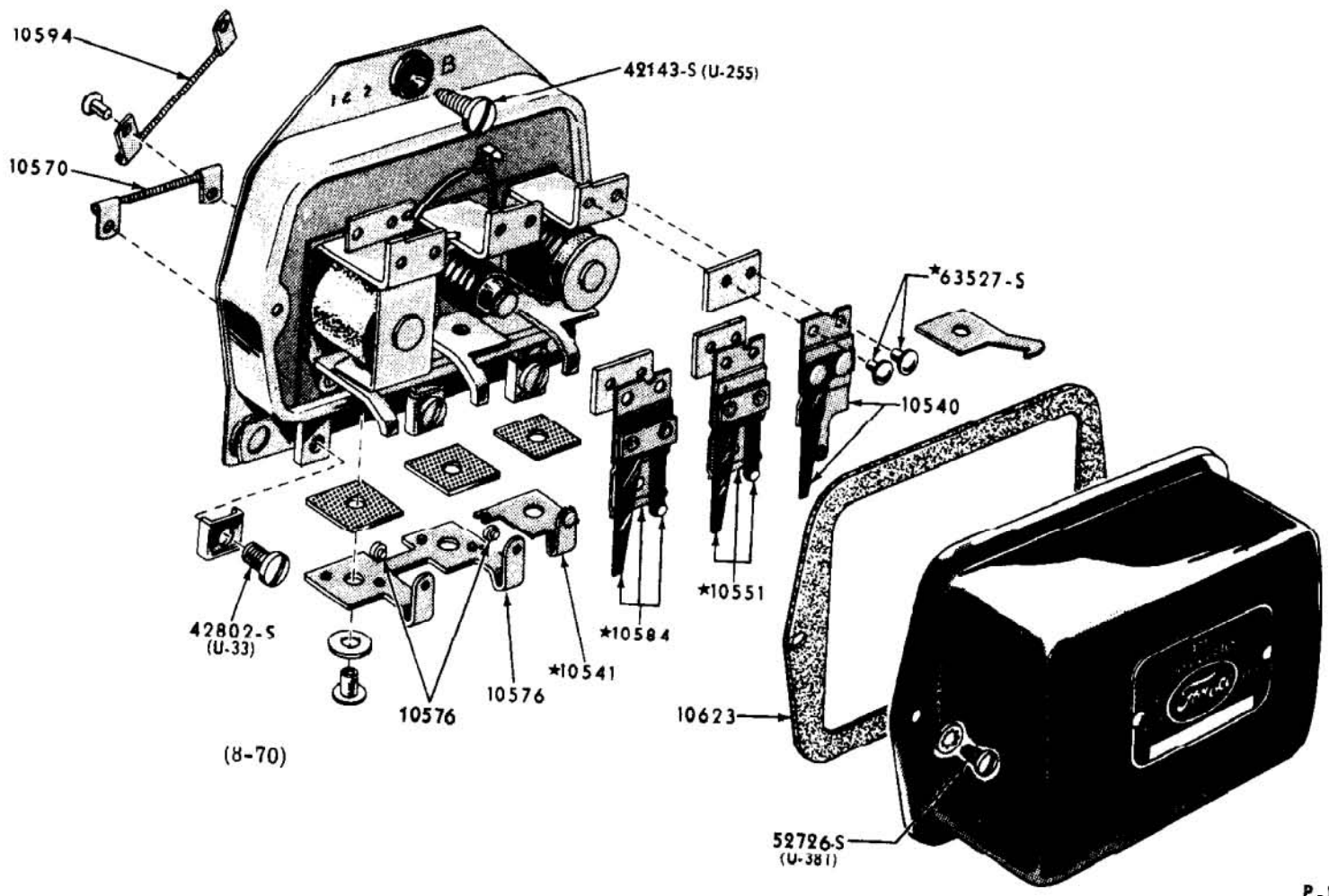
**BUY IT NOW!**

**Click Here To Order**



P-1246

**ENGINE FILER AND RELATED PARTS - CARTRIDGE TYPE - TYPICAL**  
**1965 / 72 6 CYLINDER 170, 200, 240, 250 AND 8 CYLINDER 260, 289, 302 AND 351**



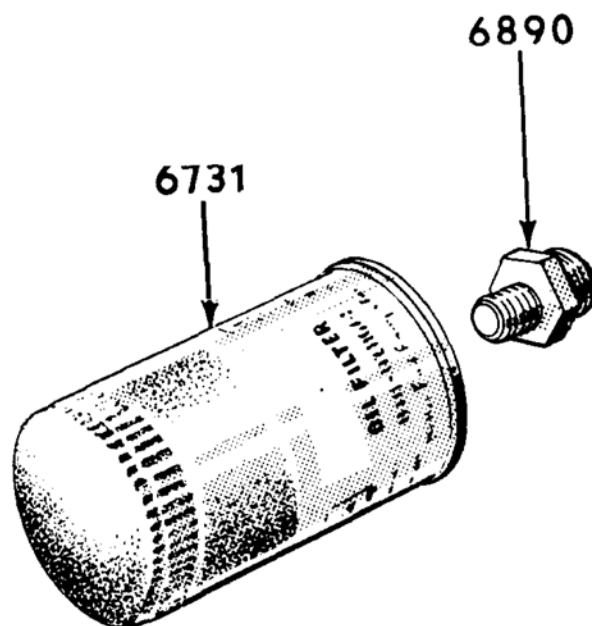
P-1535

**100% SATISFACTION GUARANTEED**  
**BUY IT NOW!**  
 Click Here To Order

PayPal    American Express    Discover    MasterCard    VISA

VOLTAGE REGULATOR - TYPICAL (GENERATOR)  
1965





P-2384

**ENGINE FILTER AND RELATED PARTS - SPIN-ON TYPE - TYPICAL**

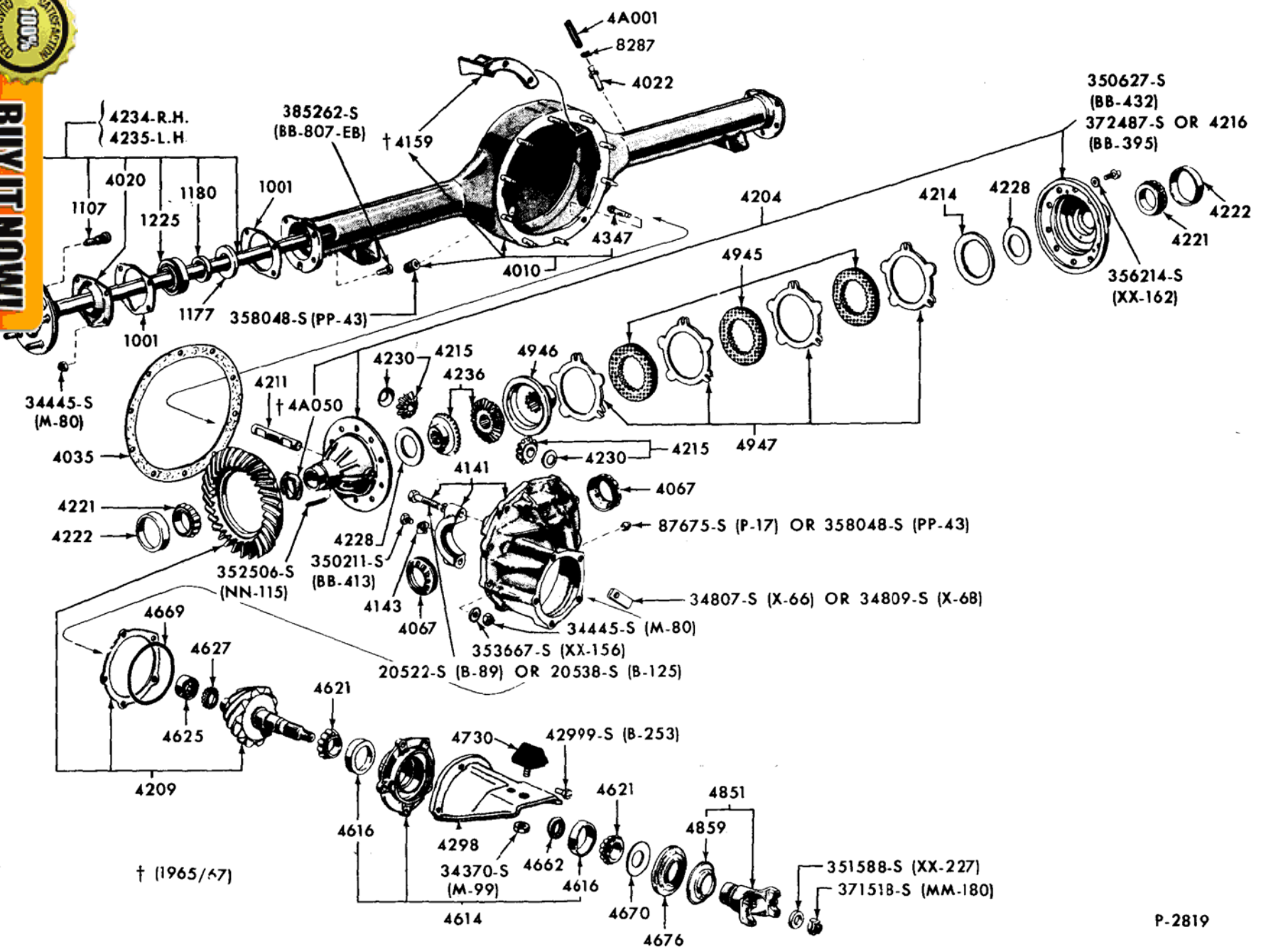
**1965 / 72 6 CYLINDER 170, 200, 240, 250 AND 8 CYLINDER 260, 289, 302, 351, 352, 390, 400, 427, 428, 429 AND 460**







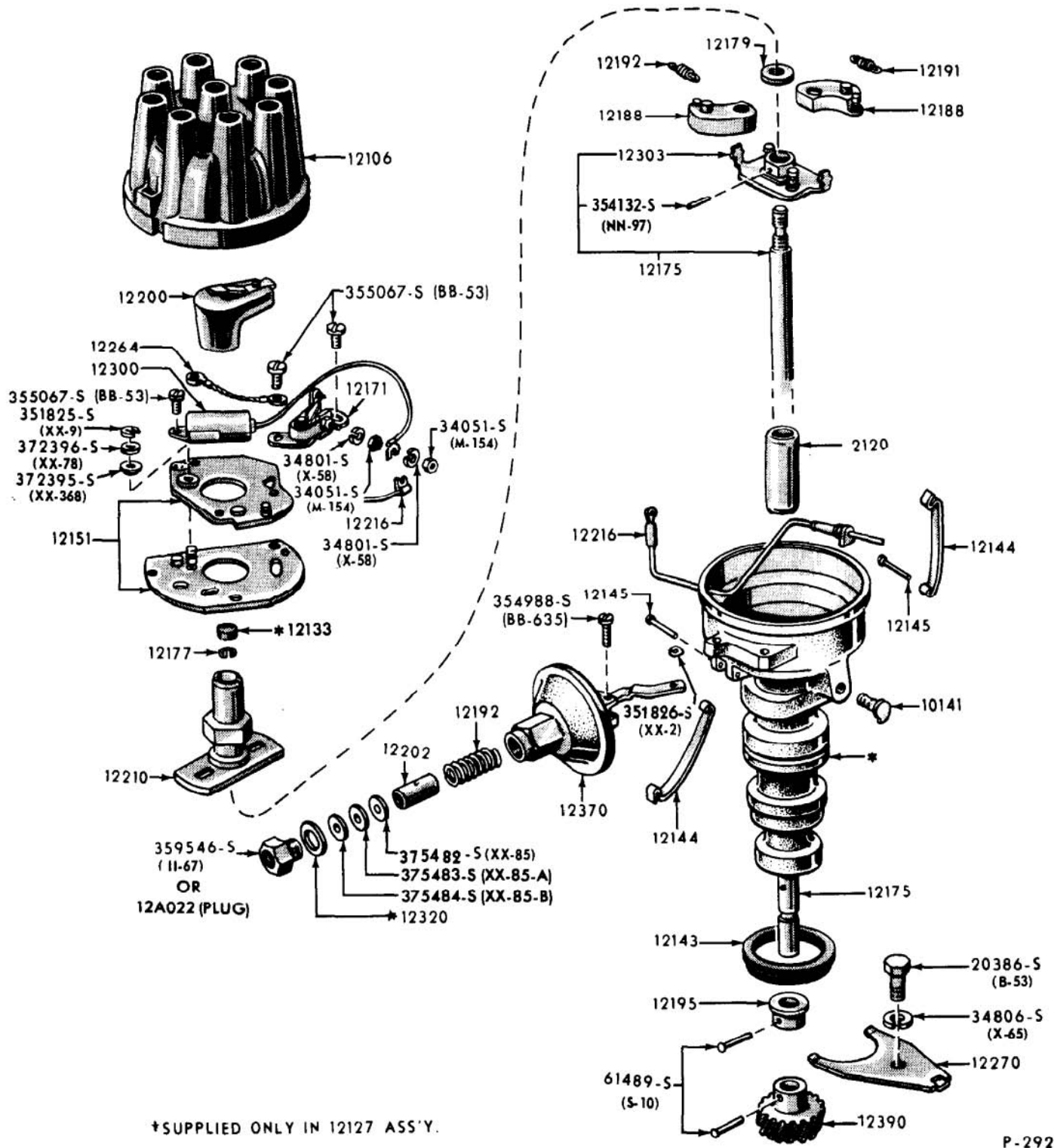
**100% SATISFACTION GUARANTEED**  
**BUY IT NOW!**  
 Click Here To Order



P-2819

**REAR AXLE - LOCKING (EQUA LOCK) WITH SEPARATE CARRIER - TYPICAL**  
**7 3/4", 8", 8 3/4", 9" RING GEAR**

1966 /69 BRONCO, 1965 / 70 FALCON, 1965 / 68 FAIRLANE/TORINO, MUSTANG, 1965 / 69 FORD, 1965 / 67 THUNDERBIRD



† SUPPLIED ONLY IN 12127 ASS'Y.

P-2926

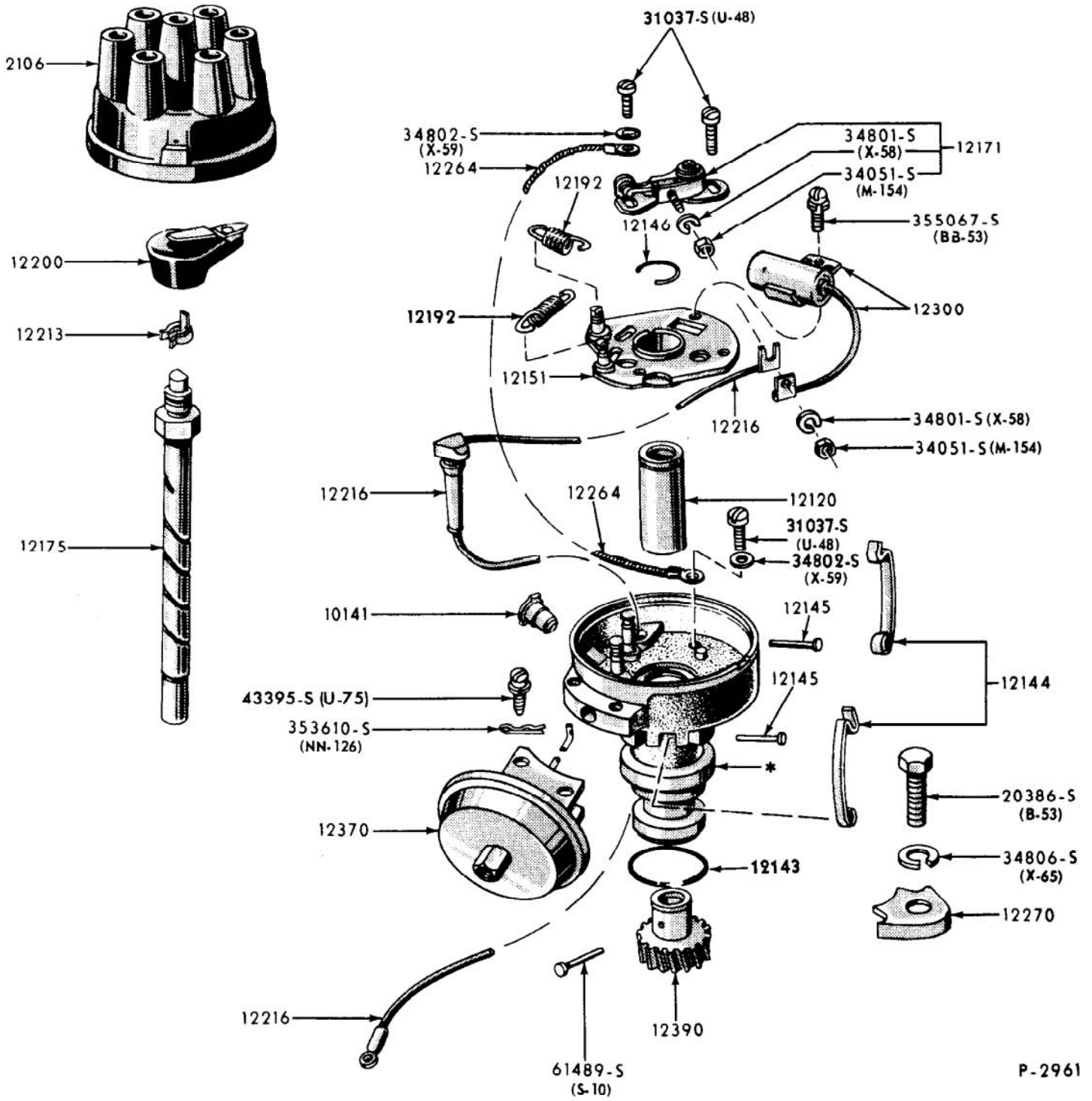
**100% SATISFACTION GUARANTEED**

**BUY IT NOW!**

**Click Here To Order**

PayPal   American Express   Discover   MasterCard   VISA

(PIVOT PLATE EXCEPT WITH STAMPED WEIGHTS)  
1965 / 67 8 CYLINDER - ALL



P-2961

**BUY IT NOW!**  
 Click Here To Order

DISTRIBUTOR  
 5 / 69 6 CYLINDER 170, 200 ENGINES



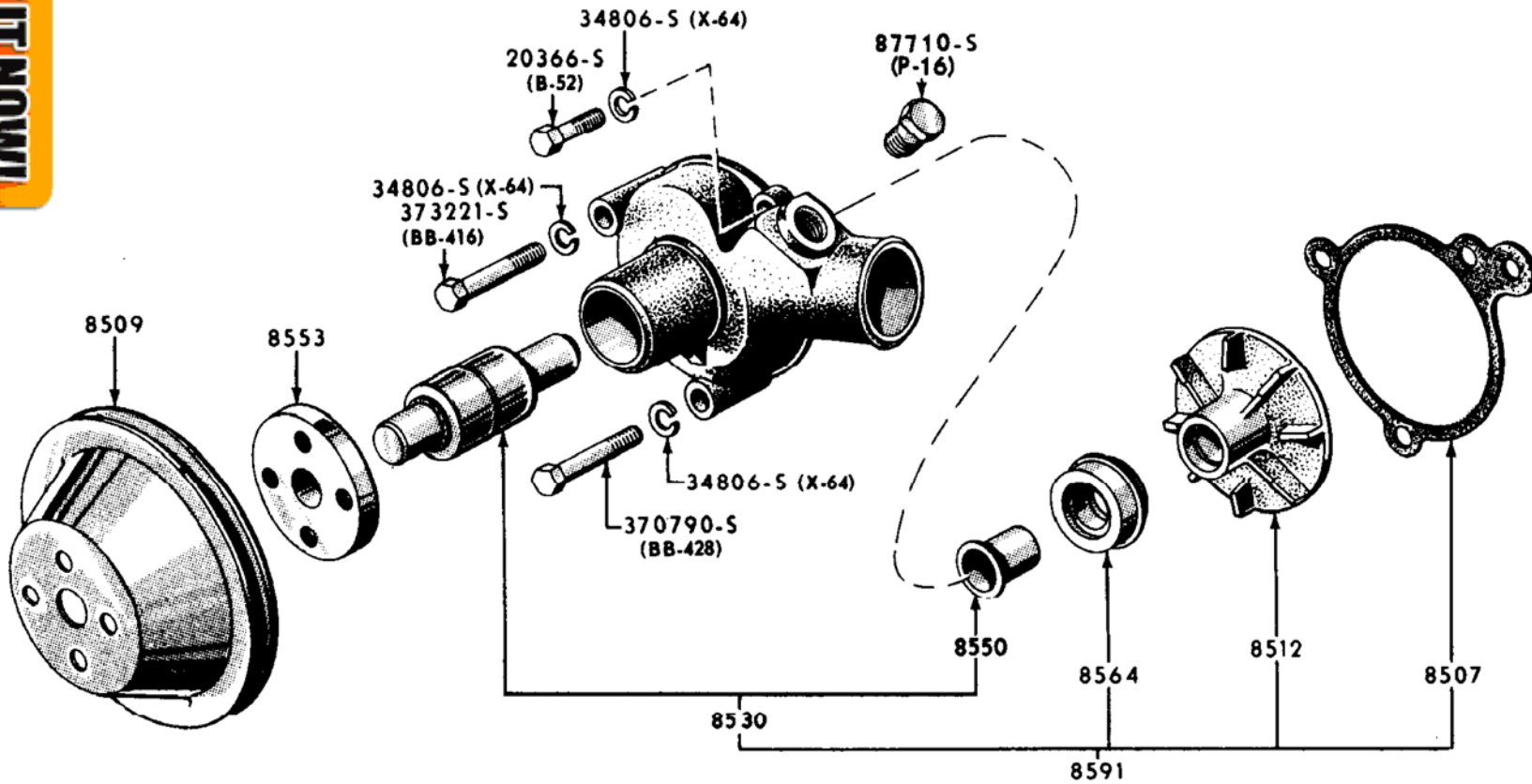




**100% SATISFACTION GUARANTEED**

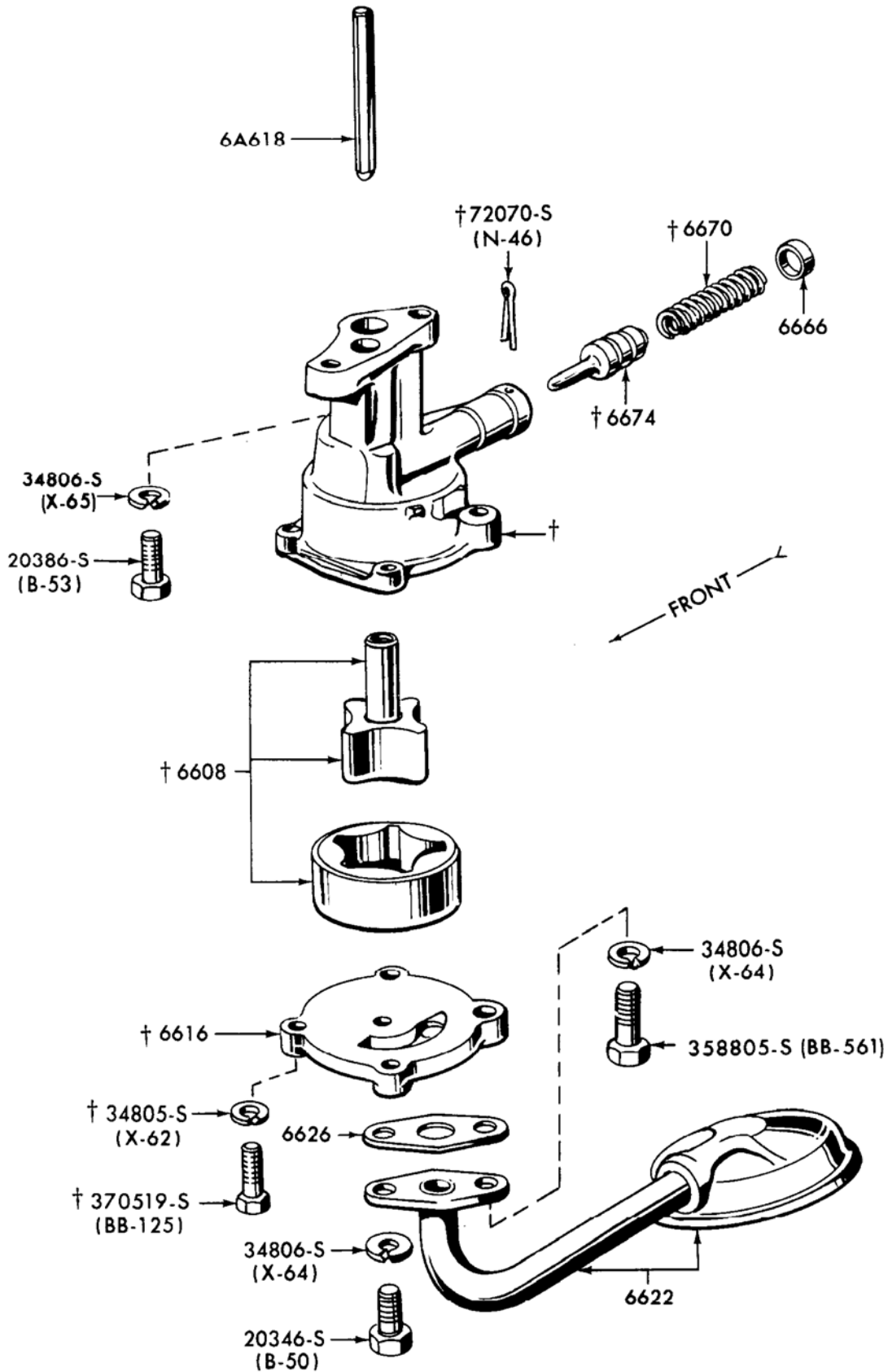
**BUY IT NOW!**

**Click Here To Order**



P-2962

**WATER PUMP**  
 1965 / 72 6 CYLINDER 170, 200 AND 250



† SUPPLIED IN 6600 PUMP ASSEMBLY

P-2963



**BUY IT NOW!**

**Click Here To Order**



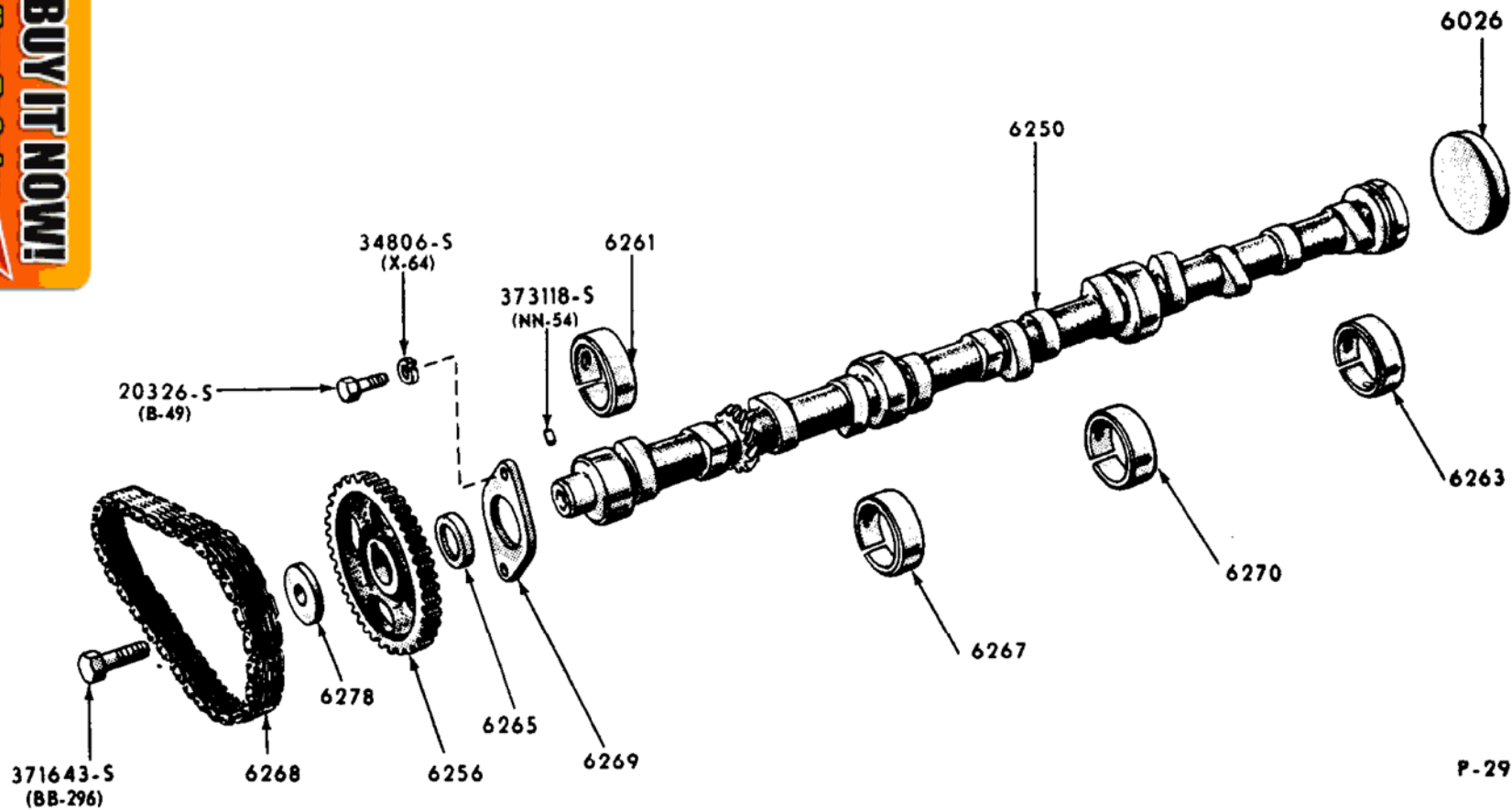
**PUMP AND RELATED PARTS -- TYPICAL  
6 CYLINDER 170, 200 AND 250**









**100% GUARANTEED**  
**BUY IT NOW!**  
 Click Here To Order




P-2964

**ENGINE CAMSHAFT, GEAR, BEARINGS AND RELATED PARTS -- TYPICAL**  
**1965 / 72 6 CYLINDER 170, 200 AND 250**



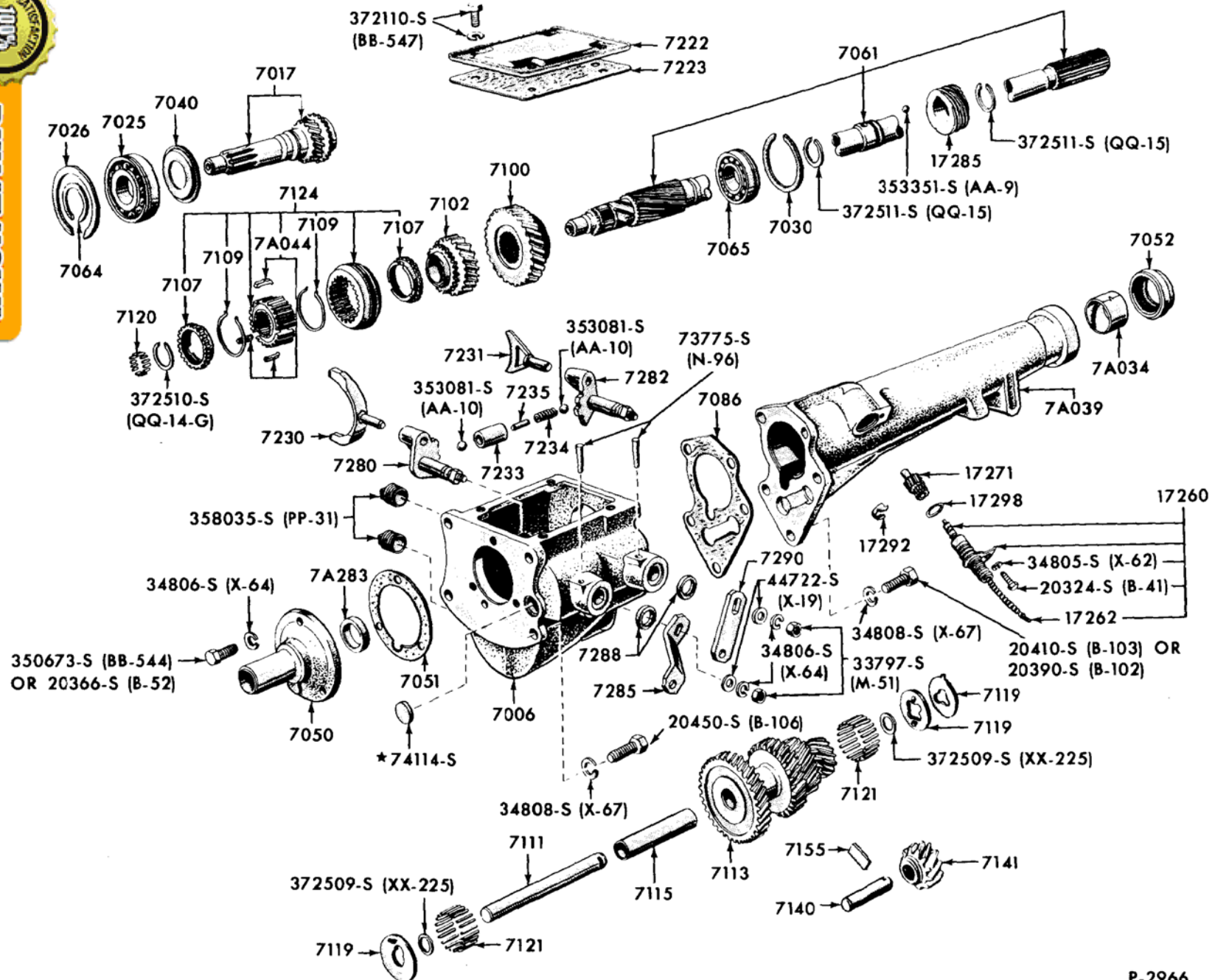






**100% GUARANTEED**

**BUY IT NOW!**

**Click Here To Order**



P-2966

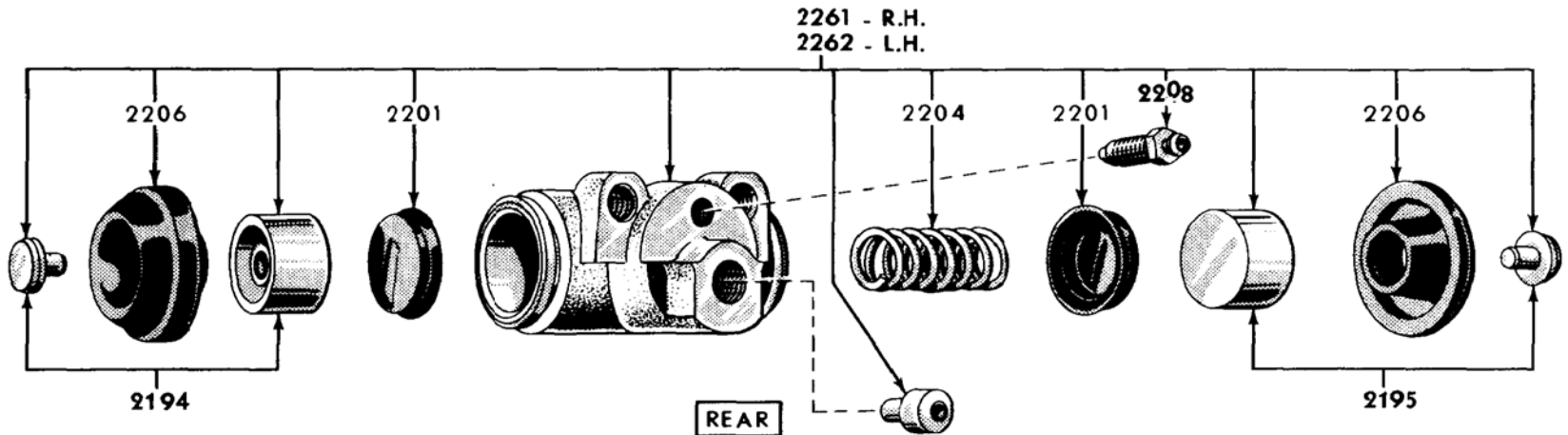
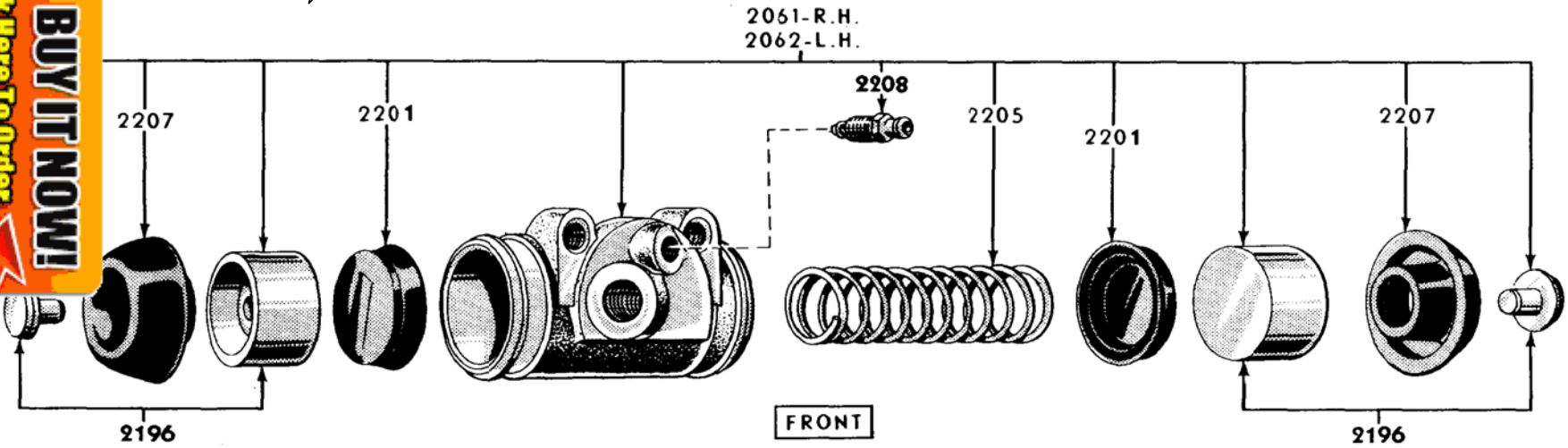
**3 SPEED MANUAL TRANSMISSION - 2.77 TYPE - TYPICAL**  
**1965 / 67 FAIRLANE, MUSTANG, FALCON**







**100% SATISFACTION GUARANTEED**  
**BUY IT NOW!**  
[Click Here To Order](#)



P-2990

**BRAKE CYLINDER**  
**1965 FALCON AND MUSTANG**