

BOOK 1 OF 2

1957-1963 FORD TRUCK

PARTS AND ACCESSORIES

GROUP 1000 THRU 7000

TEXT CATALOG

Autolite



BUY IT NOW! PARTS DIVISION

Click Here To Order

COMPANY - DEARBORN, MICHIGAN

1970

QUICK REFERENCE INDEX - PAGE

GENERAL INFORMATION II

PAINT XXXVIII

SECTIONS 10-24
WHEELS, BRAKES 1

SECTIONS 30-36
FRONT AXLE, STEERING 179

SECTIONS 40-48.3
REAR AXLE, DRIVE SHAFT
COUPLING SHAFT 285

SECTIONS 50-57
FRAME, EXHAUST SYSTEM, SUSPENSION 693

SECTIONS 60-60.11
ENGINE 835

SECTIONS 70-76
MANUAL TRANSMISSION, CLUTCH 923

SECTIONS A70-A70.2
AUTOMATIC TRANSMISSION 1159

SECTIONS T70-A75
TRANSMATIC
TRANSMISSION 1203

SECTIONS 80-86
COOLING, GRILLE Book 2

SECTIONS 90-97
FUEL, CARBURETOR, ACCELERATOR Book 2

SECTIONS 100-120.7
GENERATOR, ALTERNATOR
STARTER, DISTRIBUTOR Book 2

SECTIONS 130-145
LAMPS, WIRING Book 2

SECTIONS 160-166
FENDER, HOOD Book 2

SECTIONS 170-182 - AIR CONDITIONING,
HEATER, SHOCK ABSORBER,
WINDSHIELD WIPERS AND WASHERS Book 2

BODY SECTIONS - DOOR AND WINDOWS
SEAT, SHEET METAL, EXTERIOR
MOULDING Book 2

SOFT TRIM Book 2



Copyright © 2012, Forel Publishing Company, LLC, Woodbridge, Virginia

All Rights Reserved. No part of this book may be used or reproduced in any manner whatsoever without written permission of Forel Publishing Company, LLC. For information write to Forel Publishing Company, LLC, 3999 Peregrine Ridge Ct., Woodbridge, VA 22192

1957-63 Ford Truck Master Parts and Accessories Catalog

EAN: 978-1-60371-088-6

ISBN: 1-60371-088-4

Forel Publishing Company, LLC

3999 Peregrine Ridge Ct.

Woodbridge, VA 22192

Email address: sales@ForelPublishing.com

Website: <http://www.ForelPublishing.com>



This publication contains material that is reproduced and distributed under a license from Ford Motor Company. No further reproduction or distribution of the Ford Motor Company material is allowed without the express written permission of Ford Motor Company.

Note from the Publisher

This product was created from the original Ford Motor Company's publication. Every effort has been made to use the original scanned images, however, due to the condition of the material; some pages have been modified to remove imperfections.

Disclaimer

Although every effort was made to ensure the accuracy of this book, no representations or warranties of any kind are made concerning the accuracy, completeness or suitability of the information, either expressed or implied. As a result, the information contained within this book should be used as general information only. The author and Forel Publishing Company, LLC shall have neither liability nor responsibility to any person or entity with respect to any loss or damage caused, or alleged to be caused, directly or indirectly by the information contained in this book. Further, the publisher and author are not engaged in rendering legal or other professional services. If legal, mechanical, electrical, or other expert assistance is required, the professional should be sought.



MASTER PARTS AND ACCESSORIES CATALOG

FORM AF - 7697 (TEXT ONLY)

AUTOLITE-FORD PARTS DIVISION

INDEX FOR GENERAL INFORMATION SECTION

	Page		Page
Abbreviations.....	XXIX	Rating or Warranty Plate Codes	
Autolite Sales Part Numbers.....	IV	Assembly Plant Codes.....	XVI
Bendix Westinghouse Truck Air Brake Parts.....	IV	Auxiliary Transmission Codes.....	XXIII
Body Parts Group Numbering System.....	III	Body Type Codes.....	XXVIII
Body Type Codes.....	XXX thru XXXVII	Body Type Descriptions.....	XXVII
Catalog Formats.....	III	Color Codes (Exterior Paint).....(Refer to Paint Section)	
Date Codes.....	XXIII	Diagrams and explanation.....	XI, XII
Diesel Engine Parts.....	IV	District Codes.....	XXVI
FoMoCo Basic Part Numbering.....	VIII, IX, X	Engine Codes.....	XV
Ford Basic Group Numbers and		Front Axle Codes.....	XXV
Related Catalog Section Numbers.....	VII	Main Transmission Codes.....	XXIV
General Instructions.....	II	Rear Axle Ratio Codes.....	XXV, XXVI
How to Order Parts.....	V	Serial Numbers.....	XVI
Model Codes.....	XVII thru XXIII	Series Codes.....	XIII, XIV
Ordering Ford Industrial Engines,		Year Codes.....	XVI
Power Units & Industrial Parts.....	IV	Section, Group and Basic Numbers.....	II
Parts Identification.....	IV	Soft Trim.....	V
Part Name Index (Body Parts).....	VII	Standard and Utility Hardware.....	IV
Part Name Index (Chassis).....	VI	Symbol Used Regularly in Catalog.....	V
Procedure for Using Catalog.....	V	Truck Series Codes.....	III
		Year Application.....	III

GENERAL INSTRUCTIONS

This Ford Truck Master Parts Catalog contains replacement parts and accessories information for Ford Trucks including the Econoline, the Falcon Station Bus, Falcon Club Wagon and Falcon Deluxe Club Wagon for model years 1957 through 1963. This "text" catalog is to be used in conjunction with the Illustration Catalog, Form AF 7698.

The driver's side is the left hand side of the vehicle and determines whether such parts as fenders, lamps, etc. are right or left hand.

Refer to the Index above for a listing of the various items appearing in the General Information Section.

SECTION, GROUP and BASIC NUMBERS

For greater convenience this catalog is divided into specific sections; such as brakes, front axle, engine, transmission, etc. For example, FRONT AXLE appears in Section 30, STEERING in Section 35, REAR AXLE in Section 40, etc. The applicable exploded illustrations are contained in separate sections which are related to the text section numbers. For example, FRONT AXLE illustrations appear in Illustration Section 30, of the "Illustrations" Catalog, Form AF 7698.

The basic part number groups and the section numbers under which each is listed, is shown on Page VII of the General Information Section. In addition, each section or group of sections is preceded by an alphabetical index of the parts contained within the section(s). Refer to the Quick Reference Index on the cover.

The basic part number groups shown on Page VII have been expanded as shown in the charts of Pages VIII, IX and X to provide for additional groups to accommodate new lines. In numerical listings, expanded numbers will be considered to follow the same sequence as the regular basic numbers from which they are expanded and are arranged in catalogs as follows:

2140
2A140
2141
2A141

Illustrations contain basic group numbers only, therefore, it is necessary to refer to the basic Catalog for complete applicable part number.



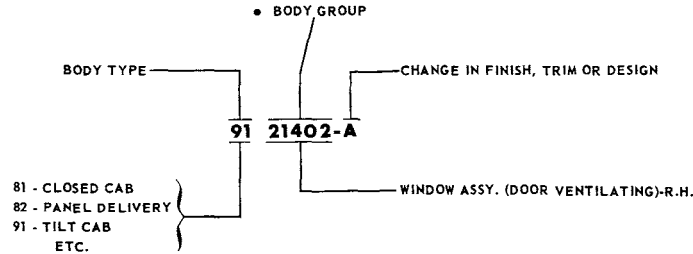
BUY IT NOW!

Click Here To Order



BODY PARTS GROUP NUMBERING SYSTEM

FOLLOWING IS A DIAGRAM OF THE BODY PARTS GROUP NUMBERING SYSTEM



- These five digits comprise the Body Group Numbers used throughout each body parts section.

A complete group index of body parts has been included on page 1897.

TRUCK SERIES CODES

Truck models are identified throughout this catalog by truck series.

A listing of truck series and their related warranty or rating plate codes appears on pages XI thru XXVIII of the General Information Section.

Model application is often consolidated as shown below:

Example 1 - F100/350 means F100 through F350 or F100, F250, F350

Example 2 - B-F-N500/600 means B500, B600, F500, F600, N500, N600

MODEL YEAR APPLICATION

Model year application is indicated by showing the first year followed by a diagonal line to imply continued usage in all subsequent years until the insertion of the last year of usage, which will then be inserted after the diagonal line. If no diagonal line is shown the part is applicable only to the year shown.

Example -

- 57 Indicates part used 1957 model year only.
- 57/60 Indicates part used 1957 through 1960 model years.
- 57/ Indicates part used 1957 through 1963 in this catalog and for subsequent years as indicated in the 1964/ Catalog (Form AF-7636-A)

CATALOG FORMATS

Various formats are used throughout this catalog to coincide with the normal procedure for selecting the affected part numbers. Most areas of the catalog use a format arranged in the order shown below:

Column

- 1 Model year
- 2 Type of vehicle or equipment within a specific model year
- 3 Description, size, etc.
- 4 No. required per vehicle
- 5 Complete part number

Formats peculiar to a particular area of the catalog are generally self explanatory. When necessary, instructions are shown at the beginning of the affected group. For instance, the various charts and cataloging in the Carburetor Section are explained on Page 1399 of Section 95.

100% SATISFACTION GUARANTEED

BUY IT NOW!

Click Here To Order

PayPal American Express Discover MasterCard VISA

PARTS IDENTIFICATION

To assist in the identification of various parts and major assemblies, identification numbers are shown on the parts themselves or on tags or plates attached to selected major assemblies. Reference to identification numbers is made throughout the catalog, and cross reference charts are provided in some areas to facilitate the selection of the service part number when the identification number is known. It is most important that identification tags and plates be retained with the part or assembly with which they are originally furnished.

STANDARD and UTILITY HARDWARE

Standard and utility hardware, such as bolts, screws, fittings, etc. are listed below the part with which they are used. To facilitate the stocking and handling of standard and utility parts by Ford dealers, locator codes are preassigned by Ford Motor Company. The locator codes are shown in parentheses immediately following or below the standard and utility part numbers.

For example, refer to Section 83, Page 1283, Group 8302. The part number for the bolt which attaches the brace to the R. H. & L. H. side member is 45741-S7-8 and the locator code is B218. In the catalog this item is shown as 45741-S7-8(B218).

AUTOLITE SALES PART NUMBERS

To facilitate the stocking and handling of those service parts which are assigned both Parts and Accessories Part Numbers and Autolite Sales Part Numbers, the Autolite Sales Part Numbers are in parenthesis immediately following or below the Parts and Accessories Part Numbers. For example, refer to Section 96, page 1520, Group 9601. The Parts and Accessories part Number for a carburetor air cleaner element used on a 1957 F100 is B7A 9601-C, and the Autolite Sales part number is FA-9. In the catalog this item will be shown as B7A 9601-C (FA-9).

ORDERING FORD INDUSTRIAL ENGINES, POWER UNITS and INDUSTRIAL PARTS

Most of the normal replacement parts for 6 and 8 cylinder Ford industrial engines and power units are carried in Ford Car and Truck Dealers inventory and the 4 cylinder gasoline as well as the 4 and 6 cylinder Diesel parts are carried in Ford Tractor Dealers' stock. However, to obtain Ford industrial engines and power units as well as peculiar parts for these units, order direct from authorized Ford Industrial Products Dealers only.

BENDIX WESTINGHOUSE TRUCK AIR BRAKE PARTS

The various Bendix Westinghouse air brake parts supplied by Ford Motor Company parts depots are listed in their respective areas of the Catalog under the Ford group number and are shown in appropriate illustrations contained in the Ford Truck Illustrations Catalog, form AF-7698.

Bendix Westinghouse parts which are not listed in the catalog may be obtained from your Bendix Westinghouse authorized distributor.

DIESEL ENGINE and RELATED PARTS

This catalog includes parts information for Diesel engines manufactured by the Ford of England Dagenham Plant as well as the engine accessories and engine related parts manufactured in the U.S.A. For further details, refer to Section 60.9 of this catalog.

Parts information in this catalog for the Diesel engines manufactured by Cummins Engine Company, is restricted to engine accessories and engine related parts furnished by Ford Motor Company. See Section 60.11 of this catalog. Other parts peculiar to these Diesel engines may be ordered from the Cummins distributor or dealer.

**BUY IT NOW!****Click Here To Order**

SOFT TRIM

Separate sections are devoted to Soft Trim parts by model year, namely 1957, 1958 etc. Instructions for selecting the needed soft trim part are contained at the beginning of the Soft Trim Section immediately following the listing of body parts other than soft trim.

EXPLANATION OF SYMBOL ★

★ Symbol indicates part is not supplied for service due to the following:

- A. Part is superseded and replaced as indicated in the description column of text.
- B. Part can be improvised as indicated in the description column of text.
- C. Due to its function there would be little or no demand.

Always refer to the description column of the text for possible substitution, or for material specifications and dimensions which may be helpful in obtaining the non serviced part locally.

PROCEDURE FOR USING CATALOG

Following is a recommended procedure for using this catalog:

Should an inquiry be received for a radiator grille for a 1957 P350 Parcel Delivery model, use the following steps:

- A. Refer to the section and page designated in the Quick Reference Index on the cover for "Cooling, Grille".
- B. An index will be on the designated page (1255).
- C. Refer to the alphabetical nomenclature under heading "Radiator and Grille"; find the name Grille (Radiator). The group number will be shown as 8200.
- D. Refer to group 8200 and locate the year 1957 in the column headed "Year". Refer then to column headed "Model" for P350. The part number will be shown as B5J 8200-A.

In the event the proper nomenclature is in doubt, an alternate method of locating basic number would be as follows.

- A. Refer to the Quick Reference Index on the cover of the Illustration Catalog (Form AF-7698). This index shows that illustrations for "Cooling - Grille" parts are shown in Sections 80 through 85
- B. The first section (80) in this group contains an index on page 561 for all illustrations in Sections 80 through 85.
- C. Refer to the index under heading "Radiator Grille & Related Parts" and locate the 1957 applicable illustration.
- D. Refer to illustration and identify the proper part which will show the group number as 8200.
- E. Refer to group 8200 in the Text Catalog, Form AF-7698, and locate the year 1957 in the column headed "Year". Refer then to column headed "Model" for P350. The part number will be shown as B5J 8200-A.

HOW TO ORDER PARTS

When ordering parts, always give the complete part number.

In the event the part number is not known, the following information should be included.

- A. Complete description of part.
 - B. Model year and body type.
 - C. Dimension, number of teeth, size, etc; if possible rough sketch of part.
 - D. If applicable to engine, transmission, axle, steering, etc; specify type; such as 302 cubic inch engine, Fordomatic Transmission, Power Steering, etc.
- Specify how shipment is to be made - Freight, Express, Air, Parcel Post.

**BUY IT NOW!****Click Here To Order**

FORD TRUCK PARTS**PART NAME INDEX**

Below are various major groups appearing in the Chassis and Body Sections of this Catalog. A Part Name Index covering the service details and related parts for each major group of the Chassis parts area of this catalog is listed beginning on the Index Page as listed below. Body Index Sections and pages are shown on the next page.

CHASSIS PARTS INDEX

MAJOR GROUPS	SECTIONS	INDEX PAGE	MAJOR GROUPS	SECTIONS	INDEX PAGE
Accelerator Linkage	97	1333	Lamps	130	1679
Air Cleaner	96	1333	Linkage (Accelerator)	97	1333
Air Conditioner	170	1779	Linkage (Steering)	30 thru 36.1	179
Alternators	103	1553			
Automatic Transmission	A70 thru A70.2	1159	Manifold	94	1333
Axle (Front)	30	179	Mirrors	170	1779
Axle (Rear)	40 thru 40A	285	Mufflers	52	693
			Overdrive	70 thru 70.15	923
Battery	106	1553	Paint	Paint	XXXVIII
Belt (fan, water pump, generator, etc.)	86	1255	Pump (Fuel)	93	1333
Brake System	20 thru 28	1	Pump (Fuel Injection)	95	1333
Bumpers	170	1779	Pump (Water)	85	1255
Carburetors	95	1333	Radiator	80	1255
Carrier (Wheel)	20.1, 22.1	1	Radio	170	1779
Cleaner (Air)	96	1333	Rear Axle	40 thru 43	285
Clutch	75	923	Rear Suspension	55	693
Cooling System	80	1255	Regulator (Voltage)	103	1553
Coupling Shaft	46A, 48 & 48.3	285			
			Shaft (Coupling)	46A, 48 & 48.3	285
Distributors	120	1553	Shaft (Drive)	46 thru 46A	285
Drive Shaft	46 thru 46A	285	Shift (Gear)	71 thru 75	923
Drums (wheel)	11	1	Shock Absorbers	170	1779
			Shutters (Radiator)	83	1255
Emission Control	60	835			
Engines	60	835	Smog Control	60	835
Exhaust System	52	693	Speedometer	170	1779
			Springs	53 & 55	693
Fan	86	1255	Starter	110	1553
Fenders	160	1761			
Frame	50	693	Steering Gear	35 & 35.1	179
			Steering Linkage	30 thru 36.1	179
Front Axle	30	179			
Front Suspension	53	693	Suspension (Front)	53	693
			Suspension (Rear)	55	693
Fuel Filter	91	1333			
Fuel Injection Pump	95	1333	Tachometer	170	1779
Fuel Pump	93	1333	Tank (Fuel)	90	1333
Fuel System	90	1333			
			Transmission (Automatic)	A70 thru A70.2	1159
Gear Shift	71 thru 75	923	Transmission (Standard)	70 thru 70.15	923
Generator	100	1553	Transmission (Transmatic)	T70 thru T75	1203
Grille	80	1255	Turn Indicator	130	1679
Heater	170	1779	Voltage Regulator	103	1553
Hood	160	1761			
Horns	134	1679	Water Pump	85	1255
Hubs	11	1	Wheels	10	1
			Windshield Washer	170	1779
Ignition System	120	1553	Windshield Wiper	170	1779
Instrument Cluster	106	1553	Wiring	140	1679
	170	1779			

**BUY IT NOW!****Click Here To Order**

PART NAME INDEX - continued

BODY PARTS INDEX

(THE FOLLOWING ARE MAJOR GROUPS OF THE BODY PARTS INDEX)

MAJOR GROUPS	BODY SECTION	INDEX PAGE	MAJOR GROUPS	BODY SECTION	INDEX PAGE
Back	400	1897	Package Tray	400	1897
Body Bolts	000	1897	Pickup Box Assemblies	000	1897
Body Side	270	1897	Roof	500	1897
Cowl	000	1897	Seat	600	1897
Doors	200	1897	Soft Trim	Soft Trim	1981
Floor	100	1897	Storage Compartment	270	1897
Instrument Panel	042	1897	Sun Visor	Soft Trim	1981
			Tail Gate	400	1897
			Windshield	030	1897

FORD BASIC GROUP NUMBERS and RELATED CATALOG SECTION NUMBERS

Following is an index of the basic group numbers and their related catalog section numbers.

A more detailed listing of the basic group numbers, their related expansion numbers and functional areas is shown on the next three pages.

BASIC GROUP NUMBER	CATALOG SECTION NO.	BASIC GROUP NUMBER	CATALOG SECTION NO.	BASIC GROUP NUMBER	CATALOG SECTION NO.	BASIC GROUP NUMBER	BODY SECTION NO.
CHASSIS PARTS							
CHEMICALS & PAINT	Paint	6000 - 6999	60 thru 60.8	9000 - 9099	90	13000 - 13399	130
1000 - 1099	10	Cummins Diesel	60, 11	9100 - 9199	91	13400 - 13999	134
1100 - 1399	11	Dagenham	60.9	9200 - 9299	92		
1400 - 1999	14			9300 - 9399	93	14000 - 14399	140
		STANDARD TRANSMISSION IDENTIFICATION	70	9400 - 9499	94	14400 - 14499	144
2000 - 2099	20, 20.1			CARBURETOR IDENTIFICATION	95	14500 - 15999	145
2100 - 2199	21	STANDARD TRANSMISSION PARTS LISTS	70.1 & Up	9500 - 9599	95	16000 - 16599	160
2200 - 2299	22, 22.1			CARBURETOR PARTS LISTS	95.1 & Up	16600 - 16999	166
2300 - 2399	23, 23.1	STANDARD TRANSMISSION KIT PARTS LISTS	70A	CARBURETOR KIT PARTS LISTS	95A	17000 - 17399	170
2400 - 2599	24			9600 - 9699	96	SPEEDOMETER	
2600 - 2799	26			9700 - 9999	97	GEAR CHART	172 thru 172.2
2800 - 2999	28					17400 - 17999	174
3000 - 3199	30,30.1 & UP	7000 - 7199	71	10000 - 10299	100	18000 - 18199	180
3200 - 3499	32	7200 - 7299	72	ALTERNATOR IDENTIFICATION	103	18200 - 19999	182
3500 - 3599	35, 35.1	7300 - 7499	73	10300 - 10599	103		
3600 - 3999	35.1, 36	7500 - 7599	75	ALTERNATOR PARTS LISTS	103.1 & Up	ALL BODY PARTS	Body Index
		7600 - 7999	76	10600 - 10999	106	00000 - 02999	000
REAR AXLE IDENTIFICATION	40 thru 40.3	AUTOMATIC TRANSMISSION IDENTIFICATION	A70			03000 - 09999	030
REAR AXLE PARTS LIST	40A	F/M - 1957/61	A70.1	STARTER IDENTIFICATION	110	10000 - 19999	100
4000 - 4199	41	C/M - 1959/	A70.2	11000 - 11299	110	20000 - 26999	200
4200 - 4299	42			STARTER PARTS LISTS	110.1 & Up	27000 - 39999	270
4300 - 4599	43	TRANSMATIC TRANSMISSION IDENTIFICATION	T70	11300 - 11999	113	40000 - 49999	400
4600 - 4605	46 thru 46.5		T70			50000 - 59999	500
4606 - 4799	47		T72	DISTRIBUTOR IDENTIFICATION	120	60000 - 69999	600
4800 - 4999	48 thru 48.3		T75	12000 - 12999	120		
5000 - 5006	50	8000 - 8299	80	DISTRIBUTOR PARTS LISTS	120.1 & Up	00000 - 69999	Soft Trim (By Model Year)
5007 - 5199	50.1	8300 - 8499	83				
5200 - 5299	52	8500 - 8599	85				
		8600 - 8999	86				



BUY IT NOW!

Click Here To Order



FORD MOTOR COMPANY BASIC PART NUMBERING

CHASSIS, ENGINE and ELECTRICAL BASIC NUMBER SERIES

BASIC PART NO. SERIES	BASIC SERIES EXPANSION	PARTS WHICH QUALIFY BY FUNCTIONAL AREA	BASIC PART NO. SERIES	BASIC SERIES EXPANSION	PARTS WHICH QUALIFY BY FUNCTIONAL AREA
1000-1250 1251-1349 1350-1499 1500-1724 1725-1999 2000-2874 2875-2999 3000-3499 3500-3776 3777-3999 4000-4999	1A000-1A250 1A251-1A349 1A350-1A499 1A500-1A724 1A725-1A999 2A000-2A874 2A875-2A999 3A000-3A499 3A500-3A776 3A777-3A999 4A000-4A999	Wheels, hubs, and drums Open numbers Spare wheel carrier Tires and tubes Open numbers Brakes Air compressor Front axles and front suspensions Steering gear and steering wheel Open numbers Rear axle and driveshaft and coupling shaft Frame and brackets *	13000-13299 13000-13399 13400-13699 13700-13799 13800-13949 13950-13999 14000-14689 14690-14724 14725-14999 15000-15074 15075-15114 15115-15199	13A000-13A299 13A300-13A399 13A400-13A699 13A700-13A799 13A800-13A949 13A950-13A999 14A000-14A689 14A690-14A724 14A725-14A999 15A000-15A074 15A075-15A114 15A115-15A199	Headlamps & parking lamps Turn signal License, tail, and stop lamps Courtesty, dome and instrument lamps and switches Horn Open numbers Wiring and circuit breakers, terminals and connectors, window regulator, fuse panel Seat regulator (electrical) Junction boxes and electric conduit Clocks & cigar lighter Lamp assy. - cluster *
5300-5350 5351-5416 5417-5454 5455-5481 5482-5499 5500-5515 5516-5999 6000-6899 6900-6944 6945-6999 7000-7999 8000-8499 8500-8599 8600-8669 8670-8999	5A300-5A350 5A351-5A416 5A417-5A454 5A455-5A481 5A482-5A499 5A500-5A515 5A516-5A999 6A000-6A899 6A900-6A944 6A945-6A999 7A000-7A999 8A000-8A499 8A500-8A599 8A600-8A669 8A670-8A999	Front springs Sub-frame (for cab mounting) Open numbers Front springs-clips, studs, and bushings Stabilizer and attaching parts Front spring covers Rear springs and attaching parts Engine and mounts * Eng. installation & dress-up kits Transmission and clutch Radiator and grille parts Water pumps Fan and brackets Open numbers	15200-15399 15400-15489 15490-15579 15580-15599 15600-15649 15650-15655 15656-15699 15700-15724 15725-15759 15760-15799 15800-15849 15850-15874 15875-15899	15A200-15A399 15A400-15A489 15A490-15A579 15A580-15A599 15A600-15A649 15A650-15A655 15A656-15A699 15A700-15A724 15A725-15A759 15A760-15A799 15A800-15A849 15A850-15A874 15A875-15A899	Road & spotlamps Lamp assy. - marker Lamp assy. back up & utility Lamp assy. - Police flasher * Map lamp Top control Engine compartment lamp Commercial pump motors Note: Not used Passenger Car, Truck & Industrial Engines Open numbers Lamp assy. - transmission control selector indicator Parking brake signal Open numbers
9000-9423 9000-9269 9424-9499 9500-9699 9700-9899 9900-9999 10000-10399 10400-10499 10500-10649 10650-10837 10838-10999 11000-11529 11530-11568 11569-11619	9A000-9A423 9A000-9A269 9A424-9A499 9A500-9A699 9A700-9A899 9A900-9A999 10A000-10A399 10A400-10A499 10A500-10A649 10A650-10A837 10A838-10A999 11A000-11A529 11A530-11A568 11A569-11A619	Fuel tank, gauges, pumps & lines Fuel tank, gauges, pumps & lines Manifold, clamps, thermostats etc. Carburetors & air cleaners Thermostatic choke, acc. spark & throttle control rods * Generators & alternators Open numbers Generator regulator Batteries & ammeters Instrument cluster & controls Starting motor & starter switch Open numbers Ignition switch	15900-15999 16000-16299 16300-16449 16450-16549 16550-16579 16580-16599 16600-16999 17000-17149 17150-17249 17250-17384 17385-17399 17400-17674 17675-17748 17749-17999	15A900-15A999 * 16A000-16A299 16A300-16A449 16A450-16A549 16A550-16A579 16A580-16A599 16A600-16A999 17A000-17A149 17A150-17A249 17A250-17A384 17A385-17A399 17A400-17A674 17A675-17A748 17A749-17A999	Front fender, aprons & shields Rear fenders Running boards and brackets Splash shields Open numbers Hood, brackets and controls Tools Open numbers Speedometer and tachometer Open numbers Wipers and washers Rear view mirrors Front and rear bumpers and stone deflectors
11620-11644 11645-11688 11689-11999 12000-12427 12428-12449 12450-12499 12500-12999	11A620-11A644 11A645-11A688 11A689-11A999 12A000-12A427 12A428-12A449 12A450-12A499 12A500-12A999	Open numbers Lighting switch Open numbers Coil, distributor & spark plugs Open numbers Engine governor Open numbers	18000-18199 18200-18241 18242-18699 18700-18799 18800-19499 19500-19549 19550-19999	18A000-18A199 18A200-18A241 18A242-18A699 18A700-18A799 18A800-19A499 19A500-19A549 19A550-19A999	Shock absorbers * Heaters Air brakes Radio Miscellaneous Accessories Air conditioners

Parts qualifying will be identified with part numbers from a more appropriate series.

**BUY IT NOW!****Click Here To Order**

FORD TRUCK PARTS

GENERAL INFORMATION

IX

BODY BASIC NUMBERS and CORRESPONDING FUNCTIONS

BASIC PART NO. SERIES	BASIC SERIES EXPANSION	PARTS WHICH QUALIFY BY FUNCTIONAL AREA	BASIC PART NO. SERIES	BASIC SERIES EXPANSION	PARTS WHICH QUALIFY BY FUNCTIONAL AREA
00000-00099	000A00-000A99	Body assy. & trim sets	25900-25999	259A00-259A99	Open
00100-00399	001A00-003A99	Front end assembly	26000-26199	260A00-261A99	Rear door reinforcement
01400-01499	014A00-014A99	Ventilating ducts & valves	26200-26399	262A00-263A99	Rear door glass frame
01500-01599	015A00-015A99	Brake pedal support	26400-26699	264A00-266A99	Rear door lock & handles
01600-01799	016A00-017A99	Dash assembly	26700-26799	267A00-267A99	Open
01800-01999	018A00-019A99	Ventilating ducts & valves	26800-26899	268A00-268A99	Rear door hinge
02000-02699	020A00-026A99	Cowl & front body pillar	26900-26999	269A00-269A99	Open
02700-02899	027A00-028A99	Open	27000-27299	270A00-272A99	Rear door check & regulator
02900-02999	029A00-029A99	Body front tie bow braces, etc.	27300-27399	273A00-273A99	Rear door regulator vacuum lift
03000-03999	030A00-039A99	Windshield assembly	27400-27699	274A00-276A99	Rear door trim
04000-04249	040A00-042A99	Visor assembly	27700-28099	277A00-280A99	Quarter & quarter panel assy.
04250-04399	042A50-043A99	Front belt rail inst. panel assy.	28100-28399	281A00-283A99	Quarter lock pillar
04400-04599	044A00-045A99	Panel assy. -instr. panel details	28400-28499	284A00-284A99	Open
04600-04799	046A00-047A99	Cigar lighter assy. & instr. cluster	28500-28699	285A00-286A99	Quarter header & frame
			28700-28799	287A00-287A99	Quarter belt rail
04800-04899	048A00-048A99	Ash receptacle assy.	28800-28999	288A00-289A99	Open
04900-05999	049A00-059A99	Open	29000-29199	290A00-291A99	Quarter window garnish mldg.
06000-06199	060A00-061A99	Glove compt. assy.	29200-29599	292A00-295A99	Quarter reinf. braces & brkts.
06200-09999	062A00-099A99	Open	29600-29999	296A00-299A99	Quarter window, glass & channel
10000-10999	100A00-109A99	Floor side & crossmembers	30000-30199	300A00-301A99	Quarter glass run & regulator
11000-11099	110A00-110A99	Underbody assy.	30200-30299	302A00-302A99	Quarter vent. window
11100-11499	111A00-114A99	Floor pan assy. silencers & pads	30300-30699	303A00-306A99	Qtr. window regulator & frame
11500-11799	115A00-117A99	Floor board assy.	30700-30799	307A00-307A99	Quarter arm rest ash receptacle
11800-11999	118A00-119A99	Open	30800-30999	308A00-309A99	Open
12000-12099	120A00-120A99	Floor board riser	31000-31499	310A00-314A99	Quarter trim assy. & assist loop
12100-12299	121A00-122A99	Floor trans. cover dust sealer	31500-31599	315A00-315A99	Open
12300-12599	123A00-125A99	Open	31600-31899	316A00-318A99	Qtr. arm rest assy.
12600-12699	126A00-126A99	Floor skid strip	31900-31999	319A00-319A99	Quarter panel spare wheel compt.
12700-12999	127A00-129A99	Open	32000-32199	320A00-321A99	Open
13000-13199	130A00-131A99	Floor mat & carpet	32200-32399	322A00-323A99	Side slats-trim sticks-anti-squeaks
13200-13299	132A00-132A99	Floor scuff plate			
13300-13499	133A00-134A99	Open	32400-32499	324A00-324A99	Quarter folding compt. -pkg.
13500-13599	135A00-135A99	Floor tool box	32500-39999	325A00-399A99	Open
13600-13799	136A00-137A99	Open	40000-40199	400A00-401A99	Back door & luggage compartment
14000-14199	140A00-141A99	Member assy. body side frt. & rr.	40200-40399	402A00-403A99	Tail gate & back panel assy.
14200-14299	142A00-142A99	Sill assy. -floor pan cross front	40400-40499	404A00-404A99	Lift gate
14300-19999	143A00-199A99	Open	40500-40599	405A00-405A99	Open
20000-20799	200A00-207A99	Body side and front door	40600-40699	406A00-406A99	Luggage compt. door panel
20800-21099	208A00-210A99	Front door garnish mldg.	40700-40799	407A00-407A99	Tail gate panel assy.
21100-21299	211A00-212A99	Front door reinforcement	40800-40999	408A00-409A99	Back door & tail gate frame assy.
21300-21399	213A00-213A99	Open	41000-41099	410A00-410A99	Back door pillar fillers
21400-22399	214A00-223A99	Front door glass, lock & frame	41100-41199	411A00-411A99	Open
22400-22499	224A00-224A99	Front door handles	41200-41299	412A00-412A99	Deck pillar group
22500-22599	225A00-225A99	Open	41300-41399	413A00-413A99	Luggage compt. & lift gate door header
22600-22699	226A00-226A99	Front door handles-inside	41400-41599	414A00-415A99	Open
22700-22799	227A00-227A99	Open	41600-41699	416A00-416A99	Tail gate framing
22800-22899	228A00-228A99	Front door hinge	41700-41899	417A00-418A99	Back belt rail
22900-22999	229A00-229A99	Front door ventilating window	41900-41999	419A00-419A99	Back door glass & framing
23000-23399	230A00-233A99	Front door dovetail & regulator	42000-42299	420A00-422A99	Back window glass & frame assy.
23100-23499	231A00-234A99	Front door & window regulators	42300-42499	423A00-424A99	Back window garnish moulding
23500-23499	234A00-235A99	Front door check	42500-42599	425A00-425A99	Back door finish strip-mouldings
23600-23699	236A00-236A99	Open	42600-42699	426A00-426A99	Tail gate cross finish strip
23700-24199	237A00-241A99	Front door trim & arm rest	42700-42899	427A00-428A99	Luggage compt. hinge assy. - lamp assy.
24200-24299	242A00-242A99	Hydraulic window operating	42900-42999	429A00-429A99	Back door hinge & reinf. assy.
24300-24599	243A00-245A99	Center pillar assy.	43000-43099	430A00-430A99	Tail gate hinge assy.
24600-24999	246A00-249A99	Rear door assy. & panels	43100-43199	431A00-431A99	Back door & tail gate lock
25000-25099	250A00-250A99	Rear door frame & pillar assy. door header & bottom door glass & garnish mldg.	43200-43399	432A00-433A99	Luggage compt. lock assy.



BUY IT NOW!

Click Here To Order



BODY BASIC NUMBERS and CORRESPONDING FUNCTIONS - continued

BASIC PART NO. SERIES	BASIC SERIES EXPANSION	PARTS WHICH QUALIFY BY FUNCTIONAL AREA	BASIC PART NO. SERIES	BASIC SERIES EXPANSION	PARTS WHICH QUALIFY BY FUNCTIONAL AREA
43400-43499	434A00-434A99	Back door handle assembly	55000-55199	550A00-551A99	Top luggage carrier
43500-43699	435A00-436A99	Luggage comp. locking handle	55200-55999	552A00-559A99	Open
43700-43899	437A00-438A99	Back door & lugg. compt. w/strip	60000-60024	600A00-600A24	Front seat complete-less trim
43900-43999	439A00-439A99	Tail gate bumper & dowel	60025-60049	600A25-600A49	Rear seat assy. - opera seat assy.
44000-44099	440A00-440A99	Back window regulator assy.	60050-60099	600A50-600A99	Front & rear seat assy.
44100-44199	441A00-441A99	Back door check assy.	60100-60124	601A00-601A24	Driver's seat adjustment
44200-44299	442A00-442A99	Luggage compt. lid support	60125-60199	601A25-601A99	Rear & deck seat-back assy.
44300-44399	443A00-443A99	Open	60200-60299	602A00-602A99	Driver's seat back assy. comp.
44400-44599	444A00-445A99	Tail gate support	60300-60499	603A00-604A99	Front seat cushion frame assy.
44600-44699	446A00-446A99	Back reinforcement brackets	60500-60799	605A00-607A99	Rear, aux. & opera cushion framing
44700-44799	447A00-447A99	Back door reinf.	60800-61299	608A00-612A99	Front seat cushion & back frame
44800-45099	448A00-450A99	L/compt. opening & tail gate reinf.	61300-61399	613A00-613A99	Rear seat back frame
45100-45199	451A00-451A99	Luggage compt. drain trough	61400-61499	614A00-614A99	Rear seat side pillar-front seat side board
45200-45399	452A00-453A99	Back trim & curtain	61500-61599	615A00-615A99	Rear seat side panel
45400-45599	454A00-455A99	Luggage compt. trim			
45600-45699	456A00-456A99	Luggage tool compartment			
45700-45799	457A00-457A99	Luggage comp. partition board	61600-61699	616A00-616A99	Front seat back panel
45800-45899	458A00-458A99	Luggage compt. shelf board	61700-62099	617A00-620A99	Front seat adjusting
45900-45999	459A00-459A99	Luggage compt. lamp assy.	62100-62499	621A00-624A99	Front & rear seat back reinf.
46000-46099	460A00-460A99	Compartment pkg. compartment	62500-62599	625A00-625A99	Driver & passenger seat suppt. - rear seat legs
46100-46199	461A00-461A99	Tool compartment	62600-62799	626A00-627A99	Front seat floor rest toe guard
46200-46299	462A00-462A99	Deck step	62800-62899	628A00-628A99	Front seat back robe cord
46300-46399	463A00-463A99	Back door trim	62900-63199	629A00-631A99	Front seat back ash receptacle
46400-46499	464A00-464A99	Luggage compartment trim			Front seat cushion cover-center seat opera seat cushion
46500-46999	465A00-469A99	Package tray	63100-63199	631A00-631A99	Front, center, opera & rear seat cushion springs
47000-47299	470A00-472A99	Spare wheel compartment	63200-63499	632A00-634A99	Seat cushion pad, facing & end pipe
47300-47999	473A00-479A99	Open	63500-63699	635A00-636A99	Cushion button & welt binding
48000-48099	480A00-480A99	Rear rack assy.			
48100-49999	481A00-499A99	Open			
50000-50299	500A00-502A99	Roof & top assy.			
50300-50799	503A00-507A99	Folding top parts	63700-63799	637A00-637A99	Front seat side carpet
50800-51299	508A00-512A99	Roof reinforcement retainers	63800-63899	638A00-638A99	Rear & deck seat cushion cover
51300-51399	513A00-513A99	Roof rail assembly	64000-64099	640A00-640A99	Driver's seat rear cover
51400-51599	514A00-515A99	Top bow assy. & dome lamp-brackets & attaching parts	64200-64399	642A00-643A99	Partition window operating mech.
51600-51699	516A00-516A99	Roof rib & slats	64400-64599	644A00-645A99	Front seat back cushion cover
51700-51799	517A00-517A99	Roof drip & finish moulding	64600-64699	646A00-646A99	Seat back, pad & division frame
51800-51899	518A00-518A99	Roof partition	64700-64899	647A00-648A00	Front & center seat spring & pad
51900-52299	519A00-522A99	Roof headlining & support	64800-64999	648A00-649A99	Front, center & opera seat pad, cardboard & cover
52300-52499	523A00-524A99	Roof binding & cardboard	65000-65099	650A00-650A99	Front seat back facing
52500-52599	525A00-525A99	Top back curtain	65100-65199	651A00-651A99	Front seat back trim rail
52600-52699	526A00-526A99	Open	65200-65299	652A00-652A99	Front seat back cushion welt & moulding
52700-52999	527A00-529A99	Top deck & slide quarter	65300-65399	653A00-653A99	Front seat back wadding
53000-53099	530A00-530A99	Top stack-toggle	65400-65499	654A00-654A99	Front seat back misc. trim-hassock assy.
53100-53199	531A00-531A99	Top landau-folding pillar			
53200-53399	532A00-533A99	Top back curtain & hyd. mech.	65500-65599	655A00-655A99	Front seat back bellows
53400-53499	534A00-534A99	Top curtain container	65600-65999	656A00-659A99	Open
53500-53699	535A00-536A99	Top side curtain front & rear	66000-66099	660A00-660A99	Pedestal seat
53700-53799	537A00-537A99	Top covers, pads and retainers	66100-66599	661A00-665A99	Open
53800-53899	538A00-538A99	Quarter curtain	66600-66899	666A00-668A99	Rear & deck seat back cover, pad & spring
53900-54299	539A00-542A99	Folding top & back stay pad	66900-67099	669A00-670A99	Rear seat cardboard & facing
54300-54399	543A00-543A99	Roof pads & wadding-silencers	67100-67199	671A00-671A99	Rear seat back arm rest cover
54400-54499	544A00-544A99	Top dust hood & container	67200-67299	672A00-672A99	Rear seat arm rest
54500-54599	545A00-545A99	Open	67300-67599	673A00-675A99	Rear seat silencer & heelboard
54600-54799	54600-547A99	Folding top compt. & w/strip			
54800-54899	548A00-548A99	Top hold down strap			
54900-54999	549A00-549A99	Roof ventilator			

PROGRAMS AS EACH INDIVIDUAL EXPANSION SERIES BECOMES EXHAUSTED OF NUMBERS, ANOTHER USE OF THE NEXT ALPHABETICAL EXPANSION LETTER SUCH AS "B" thru "Z".



BUY IT NOW!

Click Here To Order

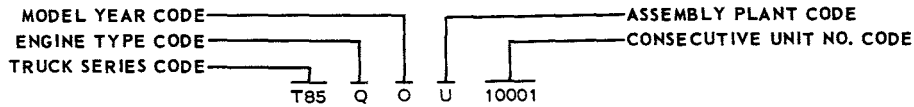


1957/60 RATING PLATE

The Rating Plate is installed on the left front cab pillar or glove box door depending on model. On the Parcel Delivery, it is located on the right hand dash panel.

The following diagram specifies in the Serial Number: the Truck Series Code, Engine Type, Model Year, Plant which assembled the truck and numerical sequence of assembly.

RATING PLATE DIAGRAM



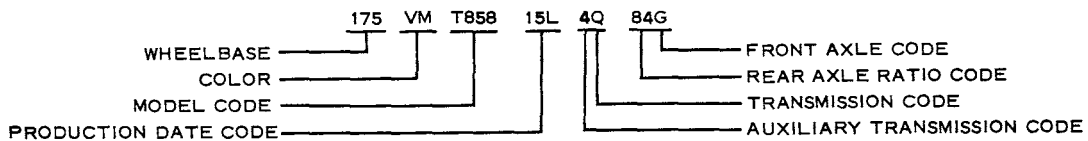
Serial Number (T85QU10001)

- “T85” -- T850 Series - Conventional Cab
- “Q” -- 8 cyl. - 477 C.I.D. Engine with 4 venturi carburetor
- “Q” -- 1960 Model
- “U” -- Assembled at Louisville Plant
- “10001” -- First truck assembled during model year

SERIAL NUMBER		MADE IN		REG. U.S.	
T85QU10001		U.S.A. BY		<i>Ford</i> PAT. OFF.	
W.B.	COLOR	MODEL	DATE	TRANS.	AXLE
175	VM	T858	15L	4Q	84G
MAX. G.V.W. LBS.		CERT. NET. H. P.		R. P. M. D. S. O.	
45000		222		3200 **	
WARRANTY VOID IF MAX. GROSS VEHICLE WEIGHT IS EXCEEDED (SEE OPERATOR'S MANUAL FOR LOAD CAPACITY CHART)					

P-2469

The breakdown of the Model Code, Production Date, Auxiliary Transmission Code, Transmission Code, Rear Axle Ratio Code and Front Axle Code shown on the Rating Plate is as follows:



- “175” ----- 175” Wheelbase
- “VM” ----- Two Tone - Academy Blue and Corinthian White
- “T858” ----- T850 Unit with necessary equipment to rate a 45,000 G.V.W.
- “15L” ----- Fifteenth Day of (L) Month of November
- “4” ----- 3 Speed Heavy Duty - Ratio 2.14/86. When required the Auxiliary Transmission Code will appear directly in front of Transmission Code.
- “Q” ----- 5 Speed Exclusive Heavy Duty - Direct Drive
- “84” ----- 7.80 Rear Axle Ratio - 34M Capacity
- “G” ----- 15,000 lb. Front Axle. When required the Front Axle Code will appear directly in back of Rear Axle Code.



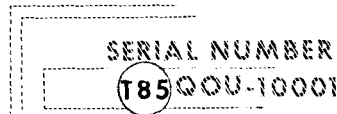
BUY IT NOW!

Click Here To Order



WARRANTY or RATING PLATE

SERIES CODES



THE FIRST 3 DIGITS OF THE SERIAL NUMBER INDICATE THE TRUCK SERIES.

THE FOLLOWING CHART LISTS THESE CODES AND THE TRUCK MODEL WHICH THEY REPRESENT.

SERIES CODE	YEAR	DESCRIPTION	G.V.W. RATING	CATALOGED AS -	SERIES CODE	YEAR	DESCRIPTION	G.V.W. RATING	CATALOGED AS -
A85	61/62		*	HT850 (Diesel)	C85	58/59	9M frt. axle & a/brakes	26000	C850
A95	61/63		*	HT950 (Diesel)		60/63		*	C850
B50	57/59		15000	B500	C86	58/59		20000	C850
	60/63		*	B500	C87	58/59	9M frt. axle & hyd/brakes	26000	C850
B51	57/59		10000	B500	C88	58/59	11M frt. axle	26000	C850
B60	57/59		17000	B600	C90	57/58	9M frt. axle & a/brakes	30000	C900
	60/63		*	B600	C91	57/58		24000	C900
B61	57/59		15000	B600	C92	58	9M frt. axle & hyd/brakes	30000	C900
	63		*	B600	C94	58	11M frt. axle	30000	C900
B64	57/59		19500	B600	C95	58/59	9M frt. axle & a/brakes	30000	C950
B70	57/59		21000	B700		30/63		*	C950
	60/63		*	B700	C96	58/59		24000	C950
B71	57/59	15M rr. axle	17000	B700	C97	58/59	9M frt. axle & hyd/brakes	30000	C950
B73	58/59	16M rr. axle	17000	B700	C98	58/59	11M or 15M frt. axle	30000	C950
B74	57/59	16M rr. axle	22000	B700	D60	62/63		*	C600 (Diesel)
B75	57/59		22000	B750	D61	63		*	C600 (Diesel)
	60/63		*	B750	D70	62/63		*	C700 (Diesel)
B76	57/59		17000	B750	E10	61	Pickup and Van	*	E100
C00	58/59	9M frt. axle	31000	C1000		62/63	Pickup	*	E100
	60/63		*	C1000	E11	61/63	Standard Bus (exc. H.D.)	*	E100
C01	58/59		31000	C1100	E12	61/63	Custom Bus	*	E100
	60/63		*	C1100	E13	62/63	Deluxe Club Wagon	*	E100
C02	58/59		26000	C1000	E14	62/63	Van	*	E100
C03	58/59	23M rr. axle	26000	C1100	E15	63	Pickup	4850	E100
C04	58/59	11M or 15M frt. axle	31000	C1000	E16	63	Van	4850	E100
C05	58/59		36000	C1100	E17	63	Standard Bus (H.D.)	1 ton payload	E100
C07	58/59	29M rr. axle	26000	C1100	F00	58/59	9M frt. axle	30000	F1000
C55	57/59		18000	C550		60/63		*	F1000 (Gas)
	60/63		*	C550	F01	58/59		30000	F1100
C56	57/59		10000	C550		60/63		*	F1100 (Gas)
C60	57/58		18000	C600	F02	58/59		26000	F1000
	59		19500	C600	F03	58/59	23M rr. axle	26000	F1100
	60/63		*	C600 (Gas)	F04	58/59	11M or 15M front axle	30000	F1000
C61	57/59		15000	C600	F05	58/59		36000	F1100
	61		*	C600	F07	58/59	29M rr. axle	26000	F1100
	63		*	C600 (Gas)	F10	57/59	2 wheel drive	5000	F100-4 x 2
C64	57/59		20500	C600		60		*	F100
C70	57/59		22000	C700		61/63	2 wheel drive	*	F100-4 x 2
	60/63		*	C700 (Gas)	F11	57/59	2 wheel drive	4000	F100-4 x 2
C71	57/59	15M rr. axle	17000	C700		61/63	4 wheel drive	*	F100-4 x 4
C73	58/59	16M rr. axle	17000	C700	F14	59	2 wheel drive	5000	F100-4 x 2
C74	57/59	16M rr. axle	23000	C700	F18	59	4 wheel drive	5600	F100-4 x 4
C75	57/59		23000	C750	F19	59	4 wheel drive	4000	F100-4 x 4
	60/63		*	C750	F25	57/59	2 wheel drive	7400	F250-4 x 2
C76	57/59		17000	C750		60		*	F250
C80	57/59	9M frt. axle & a/brakes	26000	C800		61/63	2 wheel drive	*	F250-4 x 2
	60/63		*	C800	F26	57/59	2 wheel drive	4900	F250-4 x 2
C81	57/59		20000	C800		61/63	4 wheel drive	*	F250-4 x 4
C82	58/59	9M frt. axle & hyd/brakes	26000	C800	F28	59	4 wheel drive	7400	F250-4 x 4
C84	58/59	11M frt. axle	26000	C800	F29	59	4 wheel drive	4900	F250-4 x 4
					F35	57/59		9800	F350
						60/63		*	F350
					F36	57/59		7700	F350



BUY IT NOW!

Click Here To Order

Complete information



SERIES CODES

SERIES CODE	YEAR	DESCRIPTION	G.V.W RATING	CATALOGED AS -	SERIES CODE	YEAR	DESCRIPTION	G.V.W. RATING	CATALOGED AS -
F50	57/59		15000	F500	N70	63		*	N700 (Gas)
	60/63		*	F500	N75	63		*	N750
F51	57/59		10000	F500	N85	63		*	N850
F60	57/59		17000	F600	N95	63		*	N950 (Gas)
	60/63		*	F600					
F61	57/59		15000	F600	P10	61/63		*	P100
	63		*	F600	P35	57/58	5M rr. axle	8000	P350
F64	57/59		19500	F600		60/63		*	P350 (Gas)
F70	57/59		21000	F700	P36	57/58		5900	P350
	60/63		*	F700	P37	58/59	7.2M rr. axle	8000	P350
F71	57/59		17000	F700	P40	57/59		10000	P400
F73	58/59	28M rr. axle	17000	F700		60/63		*	P400 (Gas)
F74	57/59	16M rr. axle	22000	F700	P41	57/59		7700	P400
F75	57/59		17000	F750	P50	57/59		15000	P500
	60/63		*	F750		60/63		*	P500 (Gas)
F76	57/59		22000	F750	P51	57/59		10000	P500
F80	57/59	7M frt. axle & a/brakes	25000	F800					
	60/63		*	F800	R00	63		*	N1000 (Diesel)
F81	57/59		20000	F800	R01	63		*	N1100 (Diesel)
	61		*	F800	R60	63		*	N600 (Diesel)
F82	58/59	7M frt. axle & hyd/brakes	25000	F800	R61	63		*	N600 (Diesel)
F84	58/59	9M or 11M frt. axle	25000	F800	R70	63		*	N700 (Diesel)
F85	58/59	7M frt. axle & a/brakes	25000	F850	R95	63		*	N950 (Diesel)
	60/63		*	F850					
F86	58/59		20000	F850	S85	63		*	NT850 (Gas)
	61		*	F850	S95	63		*	NT950 (Gas)
F87	58/59	7M frt. axle & hyd/brakes	25000	F850					
F88	58/59	11M frt. axle	25000	F850	T70	57/59		28000	T700
						60/63		*	T700
F90	57/58	9M frt. axle & a/brakes	29000	F900	T71	57/59		22000	T700
F91	57/58		24000	F900	T72	58/59	28M rr. bogie	32000	T700
F92	58	9M frt. axle & hyd/brakes	29000	F900	T74	58/59	28M rr. bogie	32000	T700
F94	58	11M frt. axle	29000	F900	T75	57/59		37000	T750
F95	58/59	9M frt. axle & a/brakes	29000	F950		60/63		*	T750
	60/63		*	F950 (Gas)	T76	57/59		27000	T750
F96	58/59		24000	F950	T80	57/59	A/brakes	43000	T800
F97	58/59	9M frt. axle & hyd/brakes	29000	F950		60/63		*	T800
F98	58/59	11M frt. axle	29000	F950	T81	57/59	A/brakes	30000	T800
					T82	58/59	Hyd/brakes	43000	T800
G35	63		*	P350 (Diesel)	T83	58/59	Hyd/brakes	30000	T800
G40	63		*	P400 (Diesel)	T84	57/59		45000	T800
G50	63		*	P500 (Diesel)	T85	58/59	A/brakes	43000	T850
						60/63		*	T850 (Gas)
H00	61/63		*	H1000 (Gas)	T86	58/59		37000	T850
H95	61/62		*	H950 (Gas)	T87	58/59		30000	T850
					T88	58/59	Hyd/brakes	43000	T850
J85	61/62		*	HT850 (Gas)	T89	58/59		45000	T850
J95	61/63		*	HT950 (Gas)	T95	58/59		46000	T950
						60/63		*	T950 (Gas)
K00	63		*	F1000 (Diesel)	T96	58/59	9M frt. axle	32000	T950
K01	63		*	F1100 (Diesel)	T97	58/59		48000	T950
K95	63		*	F950 (Diesel)	T98	58/59	11M or 15M frt. axle	32000	T950
					T99	58/59		51000	T950
L75	62/63		*	CT750					
L80	62/63		*	CT800	U85	63		*	T850 (Diesel)
L85	62/63		*	CT850	U95	63		*	T950 (Diesel)
L95	62/63		*	CT950					
N00	63		*	N1000 (Gas)	W85	63		*	NT850 (Diesel)
N01	63		*	N1100 (Gas)	W95	63		*	NT950 (Diesel)
N50	63		*	N500					
N60	63		*	N600 (Gas)	Y00	61/63		*	H1000 (Diesel)
N61	63		*	N600 (Gas)	Y95	61/62		*	H950 (Diesel)

For more information



BUY IT NOW!

Click Here To Order



WARRANTY or RATING PLATE - continued

ENGINE CODES

SERIAL NUMBER
185QOU-10001

THE FOURTH DIGIT OF THE SERIAL NUMBER INDICATES BASIC ENGINE IDENTIFICATION.

THE FOLLOWING CHART LISTS THESE CODES AS WELL AS GAS OR DIESEL, NUMBER OF CYLINDERS, CUBIC INCH DISPLACEMENT, NUMBER OF CARBURETOR VENTURI AND NET HORSE POWER @ R.P.M.
FOR FURTHER ENGINE IDENTIFICATION REFER TO SECTION 60 IN THIS CATALOG.

CODE	YEAR	● G OF D	CYL	C.I.D.	CARB.	T Y P E	NET H.P.	@ R.P.M.	CODE	YEAR	● G OF D	CYL	C.I.D.	CARB.	T Y P E	NET H.P.	@ R.P.M.
A	61	G	6	223	1V	Economy	93	3200	O	62/63	D	6	855		Cummins NH-250	234	2100
	62/63	G	6	223	1V	Economy	93	3400									
B	61	G	6	262	1V	Heavy duty	132	3600	P	58/59	G	8	401	4V		190	3600
	62/63	G	6	262	1V		132	3600		60	G	8	401	4V		192	3400
										61/63	G	8	401	4V		198	3400
C	58/59	G	8	292	2V	Medium duty	158	4000	Q	58/59	G	8	477	4V		224	3400
	60	G	8	292	2V	Medium duty	146	3800		60/63	G	8	477	4V		222	3200
	61/63	G	8	292	2V	Medium duty	135	3800									
D	58/59	G	8	292	4V	Heavy duty	160	3600	R	58/59	G	8	534	4V		246	3200
	60	G	8	292	4V	Heavy duty	155	3800		60	G	8	534	4V		238	3000
	61/63	G	8	292	4V	Heavy duty	153	3800		61/63	G	8	534	4V		235	3000
E	62/63	D	6	330		Dagenham	104	2500	S	61	G	6	144	1V		74	3000
										62/63	G	6	144	1V		79	4000
F	57/59	G	8	332	4V		187	3600	T	61/63	G	6	170	1V		85	3600
	60	G	8	332	4V		180	3600									
	61	G	8	332	4V		173	3600	U	57/58	G	8	272	4V	Heavy duty	149	3600
	62/63	G	8	332	2V		167	3800									
G	60	G	8	401	2V		182	3400	V	61/63	D	6	672		Cummins NH-180	169	2100
	61/63	G	8	401	2V		180	3400									
H	60	G	8	477	2V		202	3200	W	61	D	6	672		Cummins NH-195	183	2100
	61/63	G	8	477	2V		204	3200		62/63	G	8	332	4V		173	3600
I	62/63	G	8	302	4V		163	3600	X	61/63	D	6	743		Cummins NH-220	208	2100
J	57/60	G	6	223	1V		126	4000	Y	61/63	D	6	743		Cummins NHE-180	169	1950
	61/63	G	6	223	1V		114	3600	Z	61/63	D	6	743		Cummins NHE-195	184	1950
K	57	G	8	272	2V	Medium duty	145	4100	2	63	D	6	588		Cummins V6-200	185	2600
L	57/58	G	8	272	2V	Medium duty	153	4100	3	63	D	8	784		Cummins V8-265	255	2600
N	57/59	G	8	302	4V		172	3600	4	63	D	4	220		Dagenham	65	2500
	60	G	8	302	4V		170	3600									
	61	G	8	302	4V		163	3600									
	62/63	G	8	302	4V		159	3800									

YEAR CODES

(FROM 1957 to 1960)

SERIAL NUMBER
185QOU-10001

THE FIFTH DIGIT OF THE SERIAL NUMBER INDICATES THE MODEL YEAR OF THE VEHICLE.

BEGINNING IN 1961 THE MODEL YEAR MUST BE IDENTIFIED THROUGH THE SEQUENCE OF ASSEMBLY NUMBER, FOR EXAMPLE 100001.

THE CHART BELOW LISTS THESE CODES AND THE CORRESPONDING MODEL YEAR.

CODE	YEAR	CODE	YEAR	CODE	YEAR	CODE	YEAR
			1958	9	1959	10	1960



BUY IT NOW!

Click Here To Order



SERIAL NUMBERS

(FROM 1961 thru 1963)

A production SERIAL NUMBER BLOCK SYSTEM is used to identify 1961/63 model years. The monthly assignment of serial numbers is indicated by model year in the following blocks.

PRODUCTION Month & Yr.	SERIAL NUMBER	PRODUCTION Month & Yr.	SERIAL NUMBER	PRODUCTION Month & Yr.	SERIAL NUMBER
1961 MODEL (100,001 thru 205,000)		1962 MODEL (205,001 thru 325,000)		1963 MODEL (325,001 thru 445,000)	
October, 1960	100,001 thru 109,999	August, 1961	205,001 thru 209,999	August, 1962	325,001 thru 329,999
November, 1960	110,000 thru 119,999	September, 1961	210,000 thru 219,999	September, 1962	330,000 thru 339,999
December, 1960	120,000 thru 129,999	October, 1961	220,000 thru 229,999	October, 1962	340,000 thru 349,999
January, 1961	130,000 thru 139,999	November, 1961	230,000 thru 239,999	November, 1962	350,000 thru 359,999
February, 1961	140,000 thru 149,999	December, 1961	240,000 thru 249,999	December, 1962	360,000 thru 369,999
March, 1961	150,000 thru 159,999	January, 1962	250,000 thru 259,999	January, 1963	370,000 thru 379,999
April, 1961	160,000 thru 169,999	February, 1962	260,000 thru 269,999	February, 1963	380,000 thru 389,999
May, 1961	170,000 thru 179,999	March, 1962	270,000 thru 279,999	March, 1963	390,000 thru 399,999
June, 1961	180,000 thru 189,999	April, 1962	280,000 thru 289,999	April, 1963	400,000 thru 409,999
July, 1961	190,000 thru 199,999	May, 1962	290,000 thru 299,999	May, 1963	410,000 thru 419,999
August, 1961	200,000 thru 205,000	June, 1962	300,000 thru 309,999	June, 1963	420,000 thru 429,999
		July, 1962	310,000 thru 325,000	July, 1963	430,000 thru 439,999
		August, 1962	320,000 thru 325,000	August, 1963	440,000 thru 445,000

Due to varying production volumes, the exact serial number with which a change becomes effective cannot always be determined. When selecting part numbers referenced to serial numbers, the catalog specifications should be used as an aid in selecting the proper part number.

ASSEMBLY PLANT CODES

SERIAL NUMBER

T85QOU-10001

THE SIXTH DIGIT (1957/60) OR THE FIFTH DIGIT (1961/63) OF THE SERIAL NUMBER INDICATES THE PLANT AT WHICH THE VEHICLE WAS ASSEMBLED.

THE FOLLOWING CHART LISTS THESE CODES AND THE CORRESPONDING ASSEMBLY PLANT.

PLANT	CODE and YEAR				PLANT	CODE and YEAR			
	1957	1958	1959	1960/		1957	1958	1959	1960/
Atlanta		A	A	A	Mahwah	E	E	E	E
Chicago	G	G	G	G	Memphis	M			
Dallas	D	D	D	D	Norfolk	N	N	N	N
Detroit Truck	H				Pilot Plant			S	S
Kansas City	K	K	K	K	San Jose	R	R	R	R
Long Beach	L	L	L		Twin City(St. Paul)	P	P	P	P
Lorain		H	H	H					
Louisville	U	U	U	U					

COLOR CODES (EXTERIOR PAINT)

SERIAL NUMBER

T85QOU-10001

W.B. COLOR MODEL

175 (VM) T858

THE CODE UNDER "COLOR" INDICATES THE EXTERIOR PAINT COLOR OF THE VEHICLE.

REFER TO PAGES XXXVIII THROUGH XLI FOR A LISTING OF THESE CODES AND THE PART NUMBER OF THE REQUIRED PAINT.

100% SATISFACTION GUARANTEED

BUY IT NOW!

Click Here To Order

PayPal, Discover, MasterCard, VISA

WARRANTY or RATING PLATE - continued

MODEL CODES

THE MODEL CODE INDICATES THE TRUCK SERIES AND THE CORRESPONDING G.V.W. RATING.

THE FOLLOWING CHART LISTS THESE CODES AND THE TRUCK MODEL AND G.V.W. RATING WHICH THEY REPRESENT.

SERIAL NUMBER

T85QOU-10001

W.B. COLOR MODEL

175 VM T858

MODEL CODE	YEAR	DESCRIPTION	G.V.W. RATING	CATALOGED AS -	MODEL CODE	YEAR	DESCRIPTION	G.V.W. RATING	CATALOGED AS -
A850	61/62		41000	HT850 (Diesel)	C010	58/59		31000	C1100
A851	61/62		32000	HT850 (Diesel)		60/63		36000	C1100
A852	61/62		45000	HT850 (Diesel)	C011	60/63		30000	C1100
A853	61/62		48000	HT850 (Diesel)	C020	58/59		26000	C1000
A950	61/62		45000	HT950 (Diesel)	C030	58/59	23M rr. axle	26000	C1100
	63		41000	HT950 (Diesel)	C040	58/59	11M or 15M frt. axle	31000	C1000
A951	61/63		32000	HT950 (Diesel)	C050	58/59		36000	C1100
A952	61/62		48000	HT950 (Diesel)	C070	58/59	29M rr. axle	26000	C1100
	63		45000	HT950 (Diesel)	C550	57/62		18000	C550
A953	63		49000	HT950 (Diesel)		63		19000	C550
A954	63		53000	HT950 (Diesel)	C551	60/63		10000	C550
					C560	57/59		10000	C550
B500	57/63		15000	B500	C600	57/58		18000	C600
B501	60/63		10000	B500		59/63		19500	C600 (Gas)
B502	63		18000	B500	C601	60/63		15000	C600 (Gas)
B503	63		18000	B500	C602	60	15M rr. axle	21000	C600
B510	57/59		10000	B500	C603	60	16M rr. axle	21000	C600
					C610	57/59		15000	C600
B600	57/63		17000	B600		63		21000	C600 (Gas)
B601	60/63		15000	B600	C611	63	15M rr. axle	22000	C600 (Gas)
B602	60/63		19500	B600	C612	61/62	15M rr. axle	21000	C600
B610	57/59		15000	B600		63	6M frt. axle, 17M rr. axle & hyd/brakes	22000	C600 (Gas)
	63		21000	B600	C613	61/62	16M rr. axle	21000	C600
B611	63		22000	B600		63	7M frt. axle, 17M rr. axle & hyd/brakes	22000	C600 (Gas)
B640	57/59		19500	B600	C614	63	17M rr. axle & a/brakes	22000	C600 (Gas)
B700	57/62		21000	B700	C640	57/59		20500	C600
	63		20500	B700	C700	57/63		22000	C700 (Gas)
B701	60/63		17000	B700	C701	60/63		17000	C700 (Gas)
B702	60/62	16M rr. axle	22000	B700	C702	60/62		23000	C700
	63		21000	B700		63		24000	C700 (Gas)
B703	61/62	18.5M rr. axle	22000	B700	C703	61/63	Hyd/brakes	25000	C700 (Gas)
	63	Hyd/brakes(14 x 2 1/2"frt.)	22000	B700	C704	60	Hyd/brakes	25000	C700
B704	60	18M rr. axle	22000	B700		61/63	A/brakes	25000	C700 (Gas)
	63	Hyd/brakes(16 x 2 1/2"frt.)	22000	B700	C706	60	A/brakes	25000	C700
B705	63	A/brakes	22000	B700	C710	57/59	15M rr. axle	17000	C700
B710	57/59	15M rr. axle	17000	B700	C730	57/59	16M rr. axle	17000	C700
B730	58/59	16M rr. axle	17000	B700	C740	57/59		23000	C700
B740	57/59		22000	B700	C750	57/62		23000	C750
						63		24000	C750
B750	57/62	Hyd/brakes	22000	B750	C751	60/63		17000	C750
	63	Hyd/brakes(14 x 2 1/2"frt.)	22000	B750	C752	60/63	Hyd/brakes	25000	C750
B751	60/62	6M frt. axle & hyd/brakes	17000	B750	C753	61/63	A/brakes	25000	C750
	63		17000	B750	C754	60	A/brakes	25000	C750
B752	61/62	6M frt. axle & a/brakes	22000	B750	C760	57/59		17000	C750
	63	Hyd/brakes(16 x 2 1/2"frt.)	22000	B750					
B753	61/62	7M frt. axle	22000	B750	C800	57/59	9M frt. axle & a/brakes	26000	C800
	63	A/brakes	22000	B750		60/63	18.5M rr. axle & hyd/brakes	27000	C800
B754	60/62	A/brakes	22000	B750	C801	60/63		20000	C800
B760	57/59		17000	B750	C802	60	18.5M rr. axle & a/brakes	27000	C800
						61/63	22M rr. axle	27000	C800
C000	58/62	9M frt. axle	31000	C1000	C803	60	21M rr. axle	27000	C800
	63		32000	C1000		61/63	18.5M rr. axle & a/brakes	27000	C800
C001	60/63		20000	C1000					
C002	60/62		33000	C1000					
	63		34000	C1000					
			36000	C1000					




BUY IT NOW!

Click Here To Order




MODEL CODES

MODEL CODE	YEAR	DESCRIPTION	G.V.W. RATING	CATALOGED AS -	MODEL CODE	YEAR	DESCRIPTION	G.V.W. RATING	CATALOGED AS -
C804	63		27000	C800	D700	63		22000	C700 (Diesel)
C810	57/59		20000	C800	D701	63		17000	C700 (Diesel)
C820	58/59	9M frt. axle & hyd/brakes	26000	C800	D702	63		24000	C700 (Diesel)
C840	58/59	11M frt. axle	26000	C800	D703	63	Hyd/brakes	25000	C700 (Diesel)
C850	58/59	9M frt. axle & a/brakes	26000	C850	D704	63	A/brakes	25000	C700 (Diesel)
	60/63	18.5M rr. axle & hyd/brakes	27000	C850	E100	61		3300	E100
C851	60/63		20000	C850	E102	61		4100	E100
C852	60	18.5M rr. axle & a/brakes	27000	C850	E103	61	Pickup & Van	3600	E100
	61/62	22M rr. axle	27000	C850		62/63	Pickup	3600	E100
	63	22M rr. axle	27000	C850	E104	61	Pickup & Van	4350	E100
						62/63	Pickup	4350	E100
C853	60	21M rr. axle	27000	C850	E113	61	Standard Bus	3600	E100
	61/62	18.5M rr. axle & a/brakes	27000	C850	E114	61	Standard Bus	4350	E100
	63	18.5M rr. axle & a/brakes (16" x 2 1/2" frt.)	27000	C850	E123	61	Custom Bus	3600	E100
					E124	61	Custom Bus	4350	E100
C854	63	18.5M rr. axle & a/brakes (16 1/4" x 3 1/2" frt.)	27000	C850	E143	62/63	Van	3600	E100
C860	58/59		20000	C850	E144	62/63	Van	4350	E100
C870	58/59	9M frt. axle & hyd/brakes	26000	C850	E150	63	Pickup (H.D.)	4850	E100
C880	58/59	11M frt. axle	26000	C850	E160	63	Van (H.D.)	4850	E100
C900	57/58		30000	C900	E170	63	Standard Bus (H.D.)	1 ton payload	E100
C910	57/58		24000	C900	F000	58/59	9M frt. axle	30000	F1000
C920	58	9M frt. axle	29000	C900		60		31000	F1000
C940	58	11M frt. axle	29000	C900		61/63		32000	F1000 (Gas)
C950	58/59	9M frt. axle & a/brakes	30000	C950	F001	62/63		26000	F1000 (Gas)
	60/63	Hyd/brakes	30000	C950	F002	60		33000	F1000
						61/63		34000	F1000 (Gas)
C951	60/63		24000	C950	F003	61/63		36000	F1000 (Gas)
C952	60/63	A/brakes	30000	C950	F010	58/59		30000	F1100
C953	60/62	22M rr. axle	31000	C950		60/62		36000	F1100
	63	22M rr. axle	32000	C950		63		38000	F1100 (Gas)
C954	60/62	23M rr. axle	31000	C950	F011	60/62		26000	F1100
	63	23M rr. axle	32000	C950		63		30000	F1100 (Gas)
C955	61/62		33000	C950	F020	58/59		26000	F1000
	63	11M frt. axle	34000	C950	F030	58/59	23M rr. axle	26000	F1100
C956	60		33000	C950	F040	58/59	11M or 15M frt. axle	30000	F1000
	63	15M frt. axle	34000	C950	F050	58/59		36000	F1100
C960	58/59		24000	C950	F070	58/59	29M rr. axle	26000	F1100
C970	58/59	9M frt. axle & hyd/brakes	30000	C950	F100	57/63	2 wheel drive	5000	F100-4 x 2
C980	58/59	11M or 15M frt. axle	30000	C950	F101	60/63	2 wheel drive	4000	F100-4 x 2
D600	63		19500	C600 (Diesel)	F102	60/63	2 wheel drive	5000	F100-4 x 2
D601	63		15000	C600 (Diesel)	F103	60	4 wheel drive	5600	F100-4 x 4
D610	63		21000	C600 (Diesel)	F104	60	4 wheel drive	4000	F100-4 x 4
D611	63	15M rr. axle	22000	C600 (Diesel)	F105	60	4 wheel drive	5600	F100-4 x 4
D612	63	6M frt. axle, 17M rr. axle & hyd/brakes	22000	C600 (Diesel)	F110	57/59	2 wheel drive	4000	F100-4 x 2
D613	63	7M frt. axle & 17M rr. axle	22000	C600 (Diesel)		63	4 wheel drive	5600	F100-4 x 4
D614	63	6M frt. axle, 17M rr. axle & a/brakes	22000	C600 (Diesel)	F111	63	4 wheel drive	4000	F100-4 x 4
					F112	63	4 wheel drive	5600	F100-4 x 4
					F113	61/62	4 wheel drive	5600	F100-4 x 4
					F114	61/62	4 wheel drive	4000	F100-4 x 4
					F115	61/62	4 wheel drive	5600	F100-4 x 4
					F140	59	2 wheel drive	5000	F100-4 x 2
					F180	59	4 wheel drive	5600	F100-4 x 4
					F190	59	4 wheel drive	5000	F100-4 x 4



BUY IT NOW!
Click Here To Order



WARRANTY or RATING PLATE - continued

MODEL CODES

MODEL CODE	YEAR	DESCRIPTION	G. V. W. RATING	CATALOGED AS -	MODEL CODE	YEAR	DESCRIPTION	G. V. W. RATING	CATALOGED AS -
F250	57/63	2 wheel drive	7400	F250-4 x 2	F730	58	16M rr. axle	17000	F700
F251	60/63	2 wheel drive	4900	F250-4 x 2		59	28M rr. axle	17000	F700
F252	60	2 wheel drive	7400	F250-4 x 2	F740	57/59	16M rr. axle	22000	F700
F253	60	4 wheel drive	7400	F250-4 x 4	F750	57/62		22000	F750
F254	60	4 wheel drive	4900	F250-4 x 4		63		22500	F750
F255	60	4 wheel drive	7400	F250-4 x 4	F751	60/61		17000	F750
F260	57/59	2 wheel drive	4900	F250-4 x 2		63		17000	F750
	63		6600	F250-4 x 4	F752	60/61	Hyd/brakes	25000	F750
F261	63		4900	F250-4 x 4		63		23000	F750
F262	61/62	4 wheel drive	6600	F250-4 x 4	F753	61	A/brakes	25000	F750
	63		7400	F250-4 x 4		63		23000	F750
F263	61/62	4 wheel drive	4900	F250-4 x 4	F754	60	A/brakes	25000	F750
F264	61/62	4 wheel drive	7400	F250-4 x 4		61/62		22000	F750
F280	59	4 wheel drive	7400	F250-4 x 4		63		24000	F750
F290	59	4 wheel drive	4900	F250-4 x 4	F755	61/62		17000	F750
						63	Hyd/brakes	25000	F750
F350	57/63		9800	F350	F756	61/62		22000	F750
F351	60		7700	F350		63	A/brakes	25000	F750
	61		7600	F350	F757	61/62	Hyd/brakes	25000	F750
	62/63		7800	F350	F758	61/62	A/brakes	25000	F750
F360	57/59		7700	F350	F760	57/59		17000	F750
F500	57/63		15000	F500	F800	57/60	7M or 9M frt. axle & a/brakes	25000	F800
F501	60/63		10000	F500		61/62		24000	F800
F502	63		16000	F500		63		23000	F800
F503	63		18000	F500	F801	60		20000	F800
F510	57/59		10000	F500		61/63		17000	F800
F600	57/63		17000	F600	F802	60		25000	F800
F601	60/63		15000	F600		61/62		22000	F800
F602	60/63		19500	F600		63		23000	F800
F603	60		21000	F600	F803	60	18.5M rr. axle & hyd/brakes	27000	F800
F610	57/59		15000	F600		61/62	18.5M rr. axle & hyd/brakes	25000	F800
	63		21000	F600		63		24000	F800
F611	63		22000	F600	F804	60	18.5M rr. axle & a/brakes	27000	F800
F612	63	Hyd/brakes	23000	F600		61/62	18.5M rr. axle & a/brakes	25000	F800
						63		24000	F800
F613	61/62	15M rr. axle	21000	F600	F805	61/62	22M rr. axle	25000	F800
	63	A/brakes	23000	F600		63	Hyd/brakes	25000	F800
F614	61/62	16M rr. axle	21000	F600	F806	60	21M rr. axle	27000	F800
F640	57/59		19500	F600		62	16M rr. axle	22000	F800
						63	A/brakes	25000	F800
F700	57/62		21000	F700	F807	63	18.5M rr. axle & hyd/brakes	27000	F800
	63		20000	F700	F808	63	18.5M rr. axle & a/brakes	27000	F800
F701	60/63		17000	F700					
F702	60/63	Hyd/brakes	22000	F700	F809	63	22M rr. axle	27000	F800
F703	61/62	Hyd/brakes	25000	F700	F810	57/59		20000	F800
	63		22000	F700					
F704	60	6M frt. axle	25000	F700	F814	61/62	18.5M rr axle & hyd/brakes	27000	F800
	61/62	A/brakes	25000	F700					
	63	Hyd/brakes	23000	F700	F815	61/62	22M rr. axle	27000	F800
F705	61/62	A/brakes	22000	F700	F816	61/62	18.5M rr. axle & a/brakes	27000	F800
	63	Hyd/brakes	23000	F700					
F706	60	7M frt. axle	25000	F700					
	63	A/brakes	23000	F700					
F707	63		24000	F700					
F708	63	Hyd/brakes	25000	F700					
F709	63	A/brakes	25000	F700					
F710	57/59	15M or 16M rr. axle	17000	F700					



BUY IT NOW!

Click Here To Order



MODEL CODES

MODEL CODE	YEAR	DESCRIPTION	G.V.W. RATING	CATALOGED AS -	MODEL CODE	YEAR	DESCRIPTION	G.V.W. RATING	CATALOGED AS -
F820	58/59	7M or 9M frt. axle & hyd/brakes	25000	F800	H000	61/62		34000	H1000 (Gas)
F840	58/59	11M frt. axle	25000	F800	H001	61/62		30000	H1000 (Gas)
						63		26000	H1000 (Gas)
						63		24000	H1000 (Gas)
F850	58/59	7M frt. axle & a/brakes	25000	F850	H002	63		32000	H1000 (Gas)
	60/63	Hyd/brakes	25000	F850	H003	63		34000	H1000 (Gas)
F851	60/63		20000	F850	H950	61		20000	H950 (Gas)
F852	60/63	A/brakes	25000	F850		63		30000	H950 (Gas)
F853	60/63	18.5M rr. axle & hyd/brakes	27000	F850	H951	61/62		24000	H950 (Gas)
					H952	61/62		32000	H950 (Gas)
					H953	61/62		34000	H950 (Gas)
F854	60/62	18.5M rr. axle & a/brakes	27000	F850	J850	61/62		41000	HT850 (Gas)
	63	22M rr. axle	27000	F850	J851	61/62		32000	HT850 (Gas)
F855	63	18.5M frt. axle & a/brakes	27000	F850	J852	61/62		45000	HT850 (Gas)
F856	60	21M rr. axle	27000	F850	J853	61/62		48000	HT850 (Gas)
F860	58/59		20000	F850	J950	61/62		45000	HT950 (Gas)
F863	61/62	18.5M rr. axle & hyd/brakes	27000	F850		63		41000	HT950 (Gas)
F864	61/62	22M rr. axle	27000	F850	J951	61/63		32000	HT950 (Gas)
F865	61/62	18.5M rr. axle & a/brakes	27000	F850	J952	61/62		48000	HT950 (Gas)
F870	58/59	7M frt. axle & hyd/brakes	25000	F850		63		45000	HT950 (Gas)
F880	58/59	11M frt. axle	25000	F850	J953	63		49000	HT950 (Gas)
F900	57/58	9M frt. axle & a/brakes	29000	F900	K000	63		32000	F1000 (Diesel)
F910	57/58		24000	F900	K001	63		26000	F1000 (Diesel)
F920	58	9M frt. axle & hyd/brakes	29000	F900	K002	63		34000	F1000 (Diesel)
F940	58	11M frt. axle	29000	F900	K003	63		36000	F1000 (Diesel)
F950	58/59	9M frt. axle & a/brakes	29000	F950	K010	63		38000	F1100 (Diesel)
	60		27000	F950	K011	63		30000	F1100 (Diesel)
	61/63		28000	F950 (Gas)	K950	63		28000	F950 (Diesel)
F951	60/63		24000	F950 (Gas)	K951	63		24000	F950 (Diesel)
F952	60	Hyd/brakes	29000	F950	K952	63	Hyd/brakes	30000	F950 (Diesel)
	61/63	Hyd/brakes	30000	F950 (Gas)	K953	63	A/brakes	30000	F950 (Diesel)
F953	61/63	A/brakes	30000	F950 (Gas)	K954	63	11M frt. axle	32000	F950 (Diesel)
					K955	63	9M frt. axle	32000	F950 (Diesel)
					K956	63		34000	F950 (Diesel)
F954	60	A/brakes	29000	F950	L750	62		35000	CT750
	61	22M rr. axle	32000	F950		63		39000	CT750
	62	11M frt. axle	32000	F950	L751	62/63		27000	CT750
	63	22M rr. axle	32000	F950 (Gas)	L752	62		37000	CT750
						63		41000	CT750
F955	60	11M frt. axle	31000	F950	L753	62		39000	CT750
	61	23M rr. axle	32000	F950	L754	62		41000	CT750
	62	9M frt. axle	32000	F950	L800	62		39000	CT800
	63	23M rr. axle	32000	F950 (Gas)		63		43000	CT800
F956	60	9M frt. axle	31000	F950	L801	62		30000	CT800
	61		34000	F950		63		27000	CT800
	62		34000	F950	L802	62		41000	CT800
	63		34000	F950 (Gas)		63		45000	CT800
F957	60		33000	F950	L803	62		43000	CT800
F960	58/59		24000	F950		63		49000	CT800
F970	58/59	9M frt. axle & hyd/brakes	29000	F950	L804	62		45000	CT800
F980	58/59	11M fr. axle	29000	F950	L805	62		27000	CT800
G350	63		8000	P350 (Diesel)	L850	62/63		39000	CT850
G351	63		5900	P350 (Diesel)	L851	62		30000	CT850
G400	63		10000	P400 (Diesel)		63		27000	CT850
G401	63		7700	P400 (Diesel)	L852	62/63		41000	CT850
G500	63		15000	P500 (Diesel)	L853	62/63		43000	CT850
G501	63		10000	P500 (Diesel)	L854	62/63		45000	CT850

**BUY IT NOW!****Click Here To Order**

WARRANTY or RATING PLATE - continued

MODEL CODES

MODEL CODE	YEAR	DESCRIPTION	G.V.W. RATING	CATALOGED AS -	MODEL CODE	YEAR	DESCRIPTION	G.V.W. RATING	CATALOGED AS -
L855	62		27000	CT850	N950	63		28000	N950 (Gas)
	63		49000	CT850	N951	63		24000	N950 (Gas)
L950	62		46000	CT950	N952	63	Hyd/brakes	30000	N950 (Gas)
	63		47000	CT950	N953	63	A/brakes	30000	N950 (Gas)
L951	62		32000	CT950	N954	63	11M frt. axle	32000	N950 (Gas)
	63		30000	CT950	N955	63	9M frt. axle	32000	N950 (Gas)
					N956	63		34000	N950 (Gas)
L952	62		48000	CT950					
	63		49000	CT950	P100	61/62		4000	P100
L953	62		51000	CT950		63		4300	P100
	63		53000	CT950	P101	63		5000	P100
L954	62		30000	CT950	P102	61/62		5000	P100
N000	63		32000	N1000 (Gas)	P350	57/60	5M rr. axle	8000	P350
N001	63		26000	N1000 (Gas)		61/63		8000	P350 (Gas)
N002	63		34000	N1000 (Gas)	P351	60/63		5900	P350 (Gas)
N003	63		36000	N1000 (Gas)	P352	60/63	7.2M rr. axle	8000	P350 (Gas)
N010	63		38000	N1100 (Gas)	P353	60/63	5M rr. axle	8000	P350 (Gas)
N011	63		30000	N1100 (Gas)	P360	57/59		5900	P350
					P370	58/59		8000	P350
N500	63		15000	N500					
N501	63		10000	N500	P400	57/63		10000	P400 (Gas)
N502	63		16000	N500	P401	60/63		7700	P400 (Gas)
N503	63		18000	N500	P410	57/59		7700	P400
N600	63		17000	N600 (Gas)	P500	57/63		15000	P500 (Gas)
N601	63		15000	N600 (Gas)	P501	60/63		10000	P500 (Gas)
N602	63		19500	N600 (Gas)	P510	57/59		10000	P500
N610	63		21000	N600 (Gas)					
N611	63		22000	N600 (Gas)	R000	63		32000	N1000 (Diesel)
N612	63	Hyd/brakes- 14" x 2 1/2" frt.)	23000	N600 (Gas)	R001	63		26000	N1000 (Diesel)
N613	63	A/brakes	23000	N600 (Gas)	R002	63		34000	N1000 (Diesel)
N614	63	Hyd/brakes- (16" x 2 1/2" frt.)	23000	N600 (Gas)	R003	63		36000	N1000 (Diesel)
					R010	63		38000	N1100 (Diesel)
					R011	63		30000	N1100 (Diesel)
N700	63		20000	N700 (Gas)	R600	63		19500	N600 (Diesel)
N701	63		17000	N700 (Gas)	R601	63		15000	N600 (Diesel)
N702	63		21000	N700 (Gas)	R610	63		21000	N600 (Diesel)
N703	63		22000	N700 (Gas)	R611	63		22000	N600 (Diesel)
N704	63	Hyd/brakes- (14" x 2 1/2" frt.)	23000	N700 (Gas)	R612	63	Hyd/Brakes	23000	N600 (Diesel)
N705	63	Hyd/brakes- (16" x 2 1/2" frt.)	23000	N700 (Gas)	R613	63	A/brakes	23000	N600 (Diesel)
N706	63	A/brakes	23000	N700 (Gas)					
N707	63		24000	N700 (Gas)	R700	63		20000	N700 (Diesel)
N708	63	Hyd/brakes	25000	N700 (Gas)	R701	63		17000	N700 (Diesel)
N709	63	A/brakes	25000	N700 (Gas)	R702	63		21000	N700 (Diesel)
N750	63		22500	N750	R703	63		22000	N700 (Diesel)
N751	63		17000	N750	R704	63	Hyd/brakes- (14" x 2 1/2" frt.)	23000	N700 (Diesel)
N752	63	Hyd/brakes- (14" x 2 1/2" frt.)	23000	N750	R705	63	Hyd/brakes- 16" x 2 1/2" frt.)	23000	N700 (Diesel)
N753	63	Hyd/brakes- (16" x 2 1/2" frt.)	23000	N750	R706	63	A/brakes	23000	N700 (Diesel)
N754	63		24000	N750					
N755	63	Hyd/brakes	25000	N750	R707	63		24000	N700 (Diesel)
N756	63	A/brakes	25000	N750	R708	63		25000	N700 (Diesel)
N850	63	Hyd/brakes	25000	N850	R950	63		28000	N950 (Diesel)
N851	63		20000	N850	R951	63		24000	N950 (Diesel)
N852	63	A/brakes	25000	N850	R952	63	16" x 2 1/2" frt.brakes	30000	N950 (Diesel)
N853	63	18.5M rr. axle & hyd/brakes	27000	N850	R953	63	16 1/4" x 3 1/2" frt. brakes	30000	N950 (Diesel)
N854	63	22M rr. axle	27000	N850	R954	63	11M frt. axle	32000	N950 (Diesel)
N855	63	18.5M rr.axle & a/brakes	27000	N850	R955	63	9M frt. axle	32000	N950 (Diesel)
					R956	63		34000	N950 (Diesel)



BUY IT NOW!

Click Here To Order



MODEL CODES

MODEL CODE	YEAR	DESCRIPTION	G.V.W. RATING	CATALOGED AS -	MODEL CODE	YEAR	DESCRIPTION	G.V.W. RATING	CATALOGED AS -
S850	63		39000	NT850 (Gas)	T804	60		43000	T800
S851	63		27000	NT850 (Gas)		61/62	34M rr.axle & a/brakes	43000	T800
S852	63		41000	NT850 (Gas)		63		49000	T800
S853	63	Hyd/brakes	43000	NT850 (Gas)	T805	60	34M rr. axle	30000	T800
S854	63	A/brakes	43000	NT850 (Gas)		61/63		45000	T800
S855	63		45000	NT850 (Gas)	T806	60	34M rr. axle	45000	T800
S856	63		49000	NT850 (Gas)		62	34M rr. axle & hyd/brakes	43000	T800
S950	63		47000	NT950 (Gas)	T807	62		28000	T800
S951	63		30000	NT950 (Gas)	T810	57/59	A/brakes	30000	T800
S952	63		49000	NT950 (Gas)	T820	58/59	Hyd/brakes	43000	T800
S953	63		53000	NT950 (Gas)	T830	58/59	Hyd/brakes	30000	T800
T700	57/63		28000	T700	T840	57/59		45000	T800
T701	60/62	22M rr. axle	22000	T700	T850	58/59	A/brakes	43000	T850
	63		22000	T700		60		37000	T850
T702	60/63		29000	T700		61/63		39000	T850 (Gas)
T703	61/62		32000	T700	T851	60/62		30000	T850
	63		36000	T700		63		27000	T850 (Gas)
T704	60		32000	T700	T852	60		39000	T850
	61/62		33000	T700		61/63		41000	T850 (Gas)
	63		37000	T700	T853	61/63	Hyd/brakes	43000	T850 (Gas)
T705	60	28M rr. axle	22000	T700	T854	60		41000	T850
	62	30M rr. axle	33000	T700		61/63	A/brakes	43000	T850 (Gas)
T706	60		33000	T700	T855	60	30 M rr. axle	45000	T850
T710	57/59		22000	T700		61/63		45000	T850 (Gas)
T720	58/59		32000	T700	T856	60		43000	T850
T740	58/59		32000	T700		62		27000	T850
T750	57/59		37000	T750		63		49000	T850 (Gas)
	60/62		35000	T750	T858	60	34M rr. axle	45000	T850
	63		37000	T750	T860	58/59		37000	T850
T751	60/63		27000	T750	T870	58/59		30000	T850
T752	60/62		37000	T750	T880	58/59	Hyd/brakes	43000	T850
	63		39000	T750	T890	58/59	Hyd/brakes	45000	T850
T753	63		41000	T750	T950	58/62		46000	T950
T755	62	30M rr. axle	37000	T750		63		47000	T950 (Gas)
T756	62		39000	T750	T951	60/62		32000	T950
T757	62		41000	T750		63		30000	T950 (Gas)
T780	57/59		27000	T750	T952	60/62		48000	T950
T800	57/59	A/brakes	43000	T800		63		49000	T950 (Gas)
	60/62		39000	T800	T953	61/62		51000	T950
	63	Hyd/brakes	43000	T800		63		53000	T950 (Gas)
T801	60/62	30M rr. axle	30000	T800	T954	60		51000	T950
	63		27000	T800		62		30000	T950
T802	60/62		41000	T800		63		55000	T950 (Gas)
	63	A/brakes	43000	T800	T955	63		59000	T950 (Gas)
T803	60	30M rr. axle	45000	T800	T956	63		65000	T950 (Gas)
	61	30M rr. axle	43000	T800	T957	63		75000	T950 (Gas)
	62	34M rr. axle & hyd/brakes	43000	T800	T960	58/59	9M frt. axle	32000	T950
	63		45000	T800	T970	58/59		48000	T950
					T980	58/59	11M or 15M frt. axle	32000	T950
					T990	58/59		51000	T950



BUY IT NOW!

Click Here To Order



WARRANTY or RATING PLATE - continued

MODEL CODES

MODEL CODE	YEAR	DESCRIPTION	G.V.W. RATING	CATALOGED AS -	MODEL CODE	YEAR	DESCRIPTION	G.V.W. RATING	CATALOGED AS -
U850	63		39000	T850 (Diesel)	W853	63		43000	NT850 (Diesel)
U851	63		27000	T850 (Diesel)	W854	63		45000	NT850 (Diesel)
U852	63		41000	T850 (Diesel)	W855	63		49000	NT850 (Diesel)
U853	63		43000	T850 (Diesel)					
U854	63		45000	T850 (Diesel)	W950	63		47000	NT950 (Diesel)
U855	63		49000	T850 (Diesel)	W951	63		30000	NT950 (Diesel)
					W952	63		49000	NT950 (Diesel)
U950	63		47000	T950 (Diesel)	W953	63		53000	NT950 (Diesel)
U951	63		30000	T950 (Diesel)					
U952	63		49000	T950 (Diesel)	Y000	61/62		34000	H1000 (Diesel)
U953	63		53000	T950 (Diesel)		63		32000	H1000 (Diesel)
					Y001	61/63		26000	H1000 (Diesel)
W850	63		39000	NT850 (Diesel)	Y002	63		34000	H1000 (Diesel)
W851	63		27000	NT850 (Diesel)	Y950	61/62		32000	H950 (Diesel)
W852	63		41000	NT850 (Diesel)	Y951	61/62		26000	H950 (Diesel)
					Y952	61/62		34000	H950 (Diesel)

DATE CODES

FROM 1957 TO 1960 A BUILD DATE CODE WAS SHOWN ON THE WARRANTY OR RATING PLATE.

THE DAY OF THE MONTH IS SELF EXPLANATORY.

THE MONTH CODES ARE IDENTIFIED IN THE FOLLOWING CHART.

MADE IN U.S.A. BY  REG. U.S. PAT. OFF.

DATE TRANS. AXLE

15L 4Q 84G

CODE		MONTH	CODE		MONTH	CODE		MONTH	CODE		MONTH
1st YR.	2nd YEAR		1st YR.	2nd YEAR		1st YR.	2nd YEAR		1st YR.	2nd YEAR	
A	N	January	D	R	April	G	U	July	K	X	October
B	P	February	E	S	May	H	V	August	L	Y	November
C	Q	March	F	T	June	J	W	September	M	Z	December

AUXILIARY TRANSMISSION CODES

THE FIRST DIGIT OF THE TRANSMISSION CODE INDICATES THE TYPE OF AUXILIARY TRANSMISSION.

THE FOLLOWING CHART LISTS THESE CODES, THE NUMBER OF FORWARD SPEEDS AND THE MANUFACTURERS NAME AND MODEL NUMBER.

MADE IN U.S.A. BY  REG. U.S. PAT. OFF.

DATE TRANS. AXLE

15L 4Q 84G

CODE	YEAR	SPEED	MANUFACTURER		CODE	YEAR	SPEED	MANUFACTURER	
			NAME	MODEL				NAME	MODEL
1	60/	3	Spicer	5831-C	7	58/59	3	Spicer	5831-C
2	60/	3	Spicer	5831-D			61/63	3	Spicer
3	60/	3	Spicer	7231-B	8	58/59	3	Spicer	5831-D
4	60/	3	Spicer	7231-D			63/	4	Spicer
5	60/63	4	Spicer	8341-A	9	58/59	3	Spicer	7231-D
	63/	4	Spicer	8341-C					
6	58/59	3	Spicer	7231-B	Q	58/59	3	Spicer	5831-B
	61/	3	Spicer	8031-C	R	58/59	3	Spicer	7231-D
					Z	59	4	Spicer	8341-A & C



BUY IT NOW!

Click Here To Order



WARRANTY or RATING PLATE - continued

MAIN TRANSMISSION CODES

MADE IN U.S.A. BY  REG. U.S. PAT. OFF.

DATE TRANS. AXLE

15L 40 84G

THE SECOND DIGIT OF THE TRANSMISSION CODE INDICATES THE TYPE OF MAIN TRANSMISSION.

THE FOLLOWING CHART LISTS THESE CODES, THE NUMBER OF FORWARD SPEEDS, TYPE AND THE MANUFACTURERS NAME AND MODEL NUMBER.

Also refer to Auxiliary Transmission Codes on the preceding page.

CODE	YEAR	SPEED	DESCRIPTION	MANUFACTURER		CODE	YEAR	SPEED	DESCRIPTION	MANUFACTURER		
				NAME	MODEL					NAME	MODEL	
A	57/	3	Manual	Ford		N	57/59	6	Transmatic	Allison	MT-30	
	61/	5	Direct	Fuller	SW74		60/	5	Direct	Spicer	5652	
Auto.	57	3	Automatic	Ford	F/M	O	61/	12	Overdrive	Spicer	8125	
B	57/	3	Overdrive	Warner	T85, T86	P	58/59	8	Roadranger	Fuller	R-46	
	61/	5	Overdrive	Spicer	8051-A, C		60/	5	Direct	Spicer	5756-B	
C	57/61	3	Automatic	Ford	F/M	Q	58/59	5	Direct	Spicer	5756-C	
	61/	5	Direct	Spicer	8052		60	5	Direct	Spicer	5756-B	
D	57/	3		Warner	T89C, E, F	R	61/	5	Direct	Spicer	6352	
	61/	10	Direct	Fuller	R-96		58/60	5	Direct	Spicer	6352	
E	57/	3		Warner	T87E, G	S	61/	5	Direct	Spicer	6852-G	
	61/	10	Direct	Fuller	RA-96		58/59	5	Direct	Spicer	6852-G	
F	57/	4	Synchronized	Warner	T98A	T	60/	5	Overdrive	Spicer	6453-A	
	63/	4	Synchronized	Dagenham			58/59	5	Overdrive	Spicer	6453-A	
G	57/59	5	Overdrive	New Process	540	U	60/	8	Roadranger	Fuller	R-46	
	60/	3	Automatic	Ford	MX		57	5	Direct	*Clark or *New Process	250V 540	
	61/	10	Overdrive	Fuller	RA-960	V	61/	5	Direct	Spicer	6352-B	
	57/59	5	Direct	*Clark or *New Process	250V 540		57	5	Direct	*Clark or *New Process	250V 540	
H	60/	6	Transmatic	Allison	MT-30	59	5	Direct	Spicer	5652		
	61/	10	Overdrive	Fuller	R-960	61/	5	Direct	Spicer	6452-A		
I	57/59	5	Overdrive	Clark	265VO	W	57	5	Direct	Clark	265V	
	60/61	5	Direct	Clark	250V		59	5	Direct	Spicer	5756-B	
	62	5	Direct	*Clark or *New Process	N5A, N5B	61	5	Direct	Clark	2621-V1, 2622-V1		
	63/	5	Direct	Clark	250V	62	5	Direct	*Clark or *New Process	2621-V1, 2622-V1		
J	57/59	5	Overdrive	Clark	265VO		63/	5	Direct	Clark	N5L, N5M 2621-V1, 2622-V1	
	60/61	5	Direct	Clark	250V	X	57	5	Direct	Clark	265V	
62	5	Direct	*Clark or *New Process	N5A, N5B	59		3	Automatic	Ford	F/M		
K	63/	5	Direct	Clark	250V	Y	57	5	Direct	Spicer	4652	
	57/59	5	Direct	Clark	265V		61/	5	Overdrive	Spicer	8055-A, C	
	60/61	5	Overdrive	Clark	265VO	Z	57	5	Direct	Spicer	4753-A	
	62	5	Overdrive	*Clark or *New Process	251VO N5C, N5D		61/	5	Direct	Spicer	8054	
L	63/	5	Overdrive	Clark	251VO	2	62/	6	Transmatic	Allison	MT-40	
	57/59	5	Direct	Spicer	4652	3	57	3	Manual	Ford		
	60	5	Direct	Clark	265V	62/	6	Transmatic	Allison	MT-42		
	61	5	Direct	Clark	2651-V1, 2653-V1	3HD	57	3	Manual	Warner	T87E	
M	62	5	Direct	*Clark or *New Process	2651-V1, 2653-V1 N5G, N5H	3LD	57	3	Manual	Ford		
	63/	5	Direct	Clark	2651-V1, 2653-V1	3MD	57	3	Manual	Warner	T89C	
	57/59	5	Direct	Spicer	4652	4	62/	5	Direct	Spicer	6354	
	60/61	5	Overdrive	Clark	264VO	4SPD	57	4	Synchronized	Warner	T98A	
N	62	5	Overdrive	*Clark or *New Process	264VO N5J, N5K	5	62/	5	Overdrive	Spicer	6455-A	
	63/	5	Overdrive	Clark	264VO	5MDD	57	5	Direct	*Clark or *New Process	250V 540	
	O	57/59	5	Direct	Spicer	4652	5MDO	57	5	Overdrive	*Clark or *New Process	251VO 540
		60/61	5	Overdrive	Clark	264VO	6	62/	5	Direct	Spicer	6854-G
P	62	5	Overdrive	*Clark or *New Process	264VO N5J, N5K	7	62/	5	Direct	Spicer	6454-A	
	63/	5	Overdrive	Clark	264VO	8	62/	5	Direct	Spicer	6354-B	

transmission identification chart at the beginning of Section 70 for complete identification.



BUY IT NOW!

Click Here To Order



WARRANTY or RATING PLATE - continued

REAR AXLE RATIO CODES

MADE IN U.S.A. BY  REG. U.S. PAT. OFF.

DATE TRANS. AXLE

15L 4Q **84G**

THE FIRST 2 DIGITS OF THE AXLE CODE IDENTIFIES THE RATIO and/or CAPACITY OF THE REAR AXLE.

THE FOLLOWING CHART LISTS THESE CODES AND THE CORRESPONDING RATIO AND/OR CAPACITY. FOR FURTHER IDENTIFICATION REFER TO SECTION 40.2 IN THIS CATALOG.

1957/59

CODE	AXLE RATIO			CODE	AXLE RATIO		
	1957	1958	1959		1957	1958	1959
01	3.70	3.70	3.70	41	5.83/8.11 H/D	6.80 (11M)	6.80 (11M)
02	3.89	3.89	3.89	42	6.33/8.81 H/D	6.80 (13M)	6.80 (13M)
03	4.11	4.11	4.11	43		6.80 (14M)	6.80 (14M)
04	4.56	4.56	4.56	44		6.80 (15M)	6.80 (15M)
05	4.86	4.86	4.86	51	7.80 with H/D Front Axle	5.83/8.11 (13M)	5.83/8.11 (13M)
06	4.88	4.88	4.88	52	8.60 with H/D Front Axle	5.83/8.11 (14M)	5.83/8.11 (14M)
07	5.14	5.14	5.14	53		5.83/8.11 (15M)	5.83/8.11 (15M)
08	5.83	5.83	5.83	61		6.33/8.81 (14M)	6.33/8.81 (14M)
09	6.20	6.70	6.70	62		6.33/8.81 (15M)	6.33/8.81 (15M)
10	6.70	7.07		71		6.50/8.87	6.50/8.87
11	6.80	7.17	7.17	72		6.50/9.04	6.50/9.04
12	7.07	7.20	7.20	73		7.17/9.77	7.17/9.77
13	7.17	7.67	7.67	80		6.50	6.50
14	7.20	7.79 (22M)	7.79 (22M)	81		6.69	6.69
15	7.67	7.80	7.80	82		5.85	5.85
16	7.79	8.60	8.60	83		6.17	6.17
17	7.80	7.79 (28M)	7.79 (28M)	84		6.67	6.67
18	8.60		7.07 (28M)	85		7.03	7.03
19			6.38	86		8.38	8.38
21	5.83 H/D			87		7.60	7.60
22	6.20 H/D			88		5.57	5.57
23	6.80 H/D		3.73/1 L/D	89			5.43
24	7.20 H/D		3.92/1 L/D	90		6.14/8.36	6.14/8.36
25			4.88/1 L/D	91		6.71/9.13	6.71/9.13
26			4.56 L/D	92		6.42/8.38	6.42/8.38
31	5.83/8.11	6.20 (11M)	6.20 (11M)	93		7.09/9.07	7.09/9.07
32	6.33/8.81	6.20 (13M)	6.20 (13M)	94			5.57/7.60
33	6.50/8.87	6.20 (14M)	6.20 (14M)	95			5.43/7.39
34	6.50/9.04	6.20 (15M)	6.20 (15M)	99	Special Axle		
35	7.17/9.77						

1960

CODE	TYPE	AXLE RATIO	CODE	TYPE	AXLE RATIO	CODE	TYPE	AXLE RATIO	CODE	TYPE	AXLE RATIO
B1	1-speed	5.83 (13M)	G3	1-speed	7.79 (28M)	07	Regular	5.14	54	2-speed	6.50/8.87 (18M)
B2	1-speed	6.20 (13M)	K2	1-speed	6.20 (14M)	08	Regular	5.83	55	2-speed	7.17/9.77 (18M)
B4	1-speed	6.80 (13M)	K4	1-speed	6.80 (14M)	22	1-speed	6.20 (11M)	56	2-speed	5.57/7.60 (18M)
C1	1-speed	4.88 (21M)	N1	2-speed	5.83/8.11 (15M)	23	1-speed	6.50 (16M)	61	2-speed	4.88/6.33 (23M)
C2	1-speed	5.57 (21M)	N2	2-speed	6.33/8.81 (15M)	24	1-speed	6.80 (11M)	62	2-speed	5.43/7.39 (23M)
C3	1-speed	6.50 (21M)	S2	1-speed	6.20 (15M)	25	1-speed	7.17 (16M)	63	2-speed	6.14/8.36 (23M)
C5	1-speed	7.17 (21M)	S4	1-speed	6.80 (15M)	32	1-speed	5.57 (18M)	65	2-speed	6.71/9.13 (23M)
D4	1-speed	6.38 (29M)	S6	1-speed	7.20 (15M)	33	1-speed	6.50 (18M)	71	1-speed	6.70 (22M)
D6	1-speed	7.03 (29M)	0A	Lock	3.73	35	1-speed	7.17 (18M)	73	1-speed	7.79 (22M)
E1	2-speed	5.83/8.11 (14M)	0B	Lock	3.92	37	1-speed	7.67 (18M)	81	1-speed	4.56 (34M)
E2	2-speed	6.33/8.81 (14M)	0D	Lock	4.56	41	1-speed	4.88 (23M)	82	1-speed	5.85 (34M)
E4	2-speed	6.50/8.87 (21M)	0F	Lock	4.88	42	1-speed	5.43 (23M)	83	1-speed	6.69 (34M)
E5	2-speed	7.17/9.77 (21M)	01	Regular	3.70	43	1-speed	6.17 (23M)	84	1-speed	7.80 (34M)
E6	2-speed	5.57/7.60 (21M)	02	Regular	3.89	44	1-speed	6.80 (23M)	85	1-speed	8.60 (34M)
E7	2-speed	4.88/6.65 (21M)	03	Regular	4.11	45	1-speed	6.67 (23M)	92	1-speed	5.57 (38M)
F4	2-speed	6.42/8.38 (29M)	04	Regular	4.56	51	2-speed	5.83/8.11 (13M)	93	1-speed	6.50 (38M)
G6	2-speed	7.09/9.07 (29M)	05	Regular	4.86	53	2-speed	6.50/9.04 (16M)	95	1-speed	8.38 (38M)
				Regular	4.88						



BUY IT NOW!

Click Here To Order



REAR AXLE RATIO CODES

1961/

[A chart covering 1961/ Rear Axle Ratio Codes is included in Section 40]

FRONT AXLE CODES

MADE IN U.S.A. BY  REG. U.S. PAT. OFF.

DATE TRANS. AXLE

15L 4Q 84G

THE THIRD DIGIT OF THE AXLE CODE IDENTIFIES THE RATIO and/or CAPACITY OF THE OPTIONAL FRONT AXLE.

THE FOLLOWING CHART LISTS THESE CODES AND THE CORRESPONDING RATIO AND/OR CAPACITY. FOR STANDARD AXLE INFORMATION REFER TO SECTION 30, PAGE 1 IN THIS CATALOG.

CODES	RATIO OR CAPACITY	CODES	RATIO OR CAPACITY	CODES	RATIO OR CAPACITY	CODES	RATIO OR CAPACITY
1957/59		1960		1961/63		1961/63 - continued	
A	3.92-3M	A	3.92-3M	A	3.92-3M	F	9M-1961/62, [5.5M(light & med.) or 9M w/o H/D frt. brakes (hvy.)-1963]
B	4.55-3M	B	4.55-3M	B	4.55-3M	G	11M
C	6M	C	6M	C	6M	H	15M
F	5M & 9M	D	5M & 7M	D	4.55-3.5M	M	H/D Frt. brakes-std. axle
G	11M	E	5M & 9M	E	7M-1961/62, [5M(light & med.) or 7M (hvy.)-1963]	O	9M & H/D Front Brakes
H	15M	F	11M				
		G	15M				

DISTRICT CODES

CODE	DISTRICT	CODE	DISTRICT	CODE	DISTRICT	CODE	DISTRICT
11	Boston	28	Louisville	46	Indianapolis	71	Los Angeles
12	Buffalo	31	Cincinnati	47	Cincinnati	72	San Jose
13	New York	32	Cleveland	51	Denver	73	Salt Lake City
14	Pittsburgh			52	Des Moines	74	Seattle
		33	Detroit				
15	Newark	34	Indianapolis	53	Kansas City	75	Phoenix
16	Philadelphia	35	Lansing	54	Omaha	81	Ford of Canada
17	Washington	36	Louisville	55	St. Louis	83	Government
21	Atlanta			56	Davenport	84	Home Office Reserve
		37	Buffalo	61	Dallas		
22	Charlotte	38	Pittsburgh			85	American Red Cross
23	Philadelphia	41	Chicago	62	Houston	86	DIPLOMATIC SERVICE COMM.
24	Jacksonville	42	Fargo	63	Memphis	89	TRANSPORTATION SERVICE
25	Richmond	43	Milwaukee	64	New Orleans	90's	Export
26	Washington	44	Twin Cities	65	Oklahoma City		
27	Cincinnati	45	Davenport				



BUY IT NOW!

Click Here To Order



WARRANTY or RATING PLATE - continued

BODY TYPE DESCRIPTIONS (Arranged in Alphabetical Sequence)

Most body parts and some chassis parts are listed according to Body Type. For example 81,83 etc. From 1957/62 this information did not appear on the Warranty or Rating Plate. From 1963 certain body type information was shown on the warranty plate. Exceptions to this were back-of-cab equipment: pickup boxes 83 and 99, platforms 80; and racks 86.

The body type suffix such as (89)A, (89)B, (89)C etc. is not shown on the Warranty Plate. To determine the specific body type through warranty plate information the model code such as E110, E360 etc. must also be used.

A chart listing the body type codes in conjunction with the related model codes is shown on the following pages.

DESCRIPTION	BODY TYPE CODE SHOWN IN CATALOG		
	1957/60	1961/62	1963
Conventional Closed Cab-Custom	81B	81B	81B (F-T100/1100)
Conventional Closed Cab-Standard	81A	81A	81A (F-T100/1100)
Closed Drive Away-includes Windshield Frame	85	85	85
Econoline Pickup (Custom)			87B
Econoline Pickup (Standard)		87A	87A
Econoline Van (R. H. Fixed Window)			89E
Econoline Van (R. H. and L. H. Fixed Windows)			89F
Econoline Van (R. H. and L. H. Doors)			89G
Econoline Van (Standard)		89A	89A
Falcon Deluxe Club Wagon			89D
Falcon Station Bus		89B	89B
Falcon Station Bus (Custom)			89C
Forward Closed Cab-Custom			81B (N-NT500/1100)
Forward Closed Cab-Standard			81A (N-NT500/1100)
Hi-Tilt Cab		91	91 (H-HT950/1000)
Integral Cab and Pickup Box-Standard		66A	66A
Integral Cab and Pickup Box-Custom		66B	66B
Open Drive Away-less Windshield Frame	84	84	84
Panel Delivery-Custom	82B		
Panel Delivery-Standard	82A		
Parcel Delivery	85	85	85
Pickup Box-Flare Side	83	83	83
Pickup Box-Style Side	99	99	99
Platform	80	80	80
Rack	86	86	86
Tilt Cab-Custom	91B	91B	91B (C-CT500/1100)
Tilt Cab-Standard	91A	91A	91A (C-CT500/1100)



BUY IT NOW!

Click Here To Order



BODY TYPE CODES

1963 ECONOLINE

(From Serial 325.000 thru 444.999)

USE TWO DIGIT BODY TYPE CODE,
FOR EXAMPLE: 89
IN CONJUNCTION WITH MODEL CODE
FOR EXAMPLE: E130
TO DETERMINE CATALOG BODY TYPE DESIGNATION
IN THIS CASE "89D"

BODY TYPE	MODEL	DESCRIPTION	CATALOGED AS -
87	E103/E104	Pickup (Standard)-exc. Heavy Duty	87A
	E103/E104	Pickup (Custom)-Heavy Duty	87B
	E150	Pickup (Standard)- Heavy Duty	87A
	E150	Pickup (Custom)-Heavy Duty	87B
89	E110	Station Bus (Standard)-exc. Heavy Duty	89B
	E120	Station Bus (Custom)	89C
	E130	Club Wagon	89D
	E143/E144	Cargo Van-with R, H, body side doors (less windows)-exc. Heavy Duty	89A
	E143/E144	Display Van-with R, H, body side doors and windows-exc. Heavy Duty	89E
	E143/E144	Window Van-with R, H, body side doors and R, H, and L, H, windows-exc. Heavy Duty	89F
	E143/E144	Cargo Van-with R, H, and L, H, body side doors (less windows)-exc. Heavy Duty	89G
	E160	Cargo Van-with R, H, body side doors (less windows)-Heavy Duty	89A
	E160	Display Van-with R, H, body side doors and windows- Heavy Duty	89E
	E160	Window Van-with R, H, body side doors and R, H, and L, H, windows-Heavy Duty	89F
	E160	Cargo Van-with R, H, and L, H, body side doors (less windows)-Heavy Duty	89G
	E170	Station Bus (Standard)-Heavy Duty	89B



BUY IT NOW!

Click Here To Order



ABBREVIATIONS

&..... and
 2/B..... 2 barrel
 3T or 3/S/T..... 3 speed trans.
 3 or 4/S/T..... 3 or 4 speed trans.
 4/B..... 4 barrel
 4/W/D..... 4 wheel drive
 4 x 2..... 2 wheel drive
 4 x 4..... 4 wheel drive

a/brakes.....air brakes
 accel..... accelerator
 A/C..... air conditioner
 adapt..... adapter
 adj..... adjusting-adjustment
 alum..... aluminum
 amp..... ampere
 approx..... approximately
 AR..... as required
 assy..... assembly
 aux..... auxiliary

BBC..... bumper to back of cab
 brg..... bearing
 brkt..... bracket

C4..... (TRANSMISSION) . . . 3 speed dual range
 cap..... capacity
 carb..... carburetor
 C/F..... cab forward
 Chg/L..... change level
 c/member..... crossmember
 conn..... connection
 Conv..... Conventional
 cov., cvr..... cover
 CP..... candle power
 C/P/S..... Center point steering
 c/pin..... cotter pin
 c/shaft..... crankshaft
 ctr..... center
 cyl..... cylinder

D/4/S..... Dagenham 4 speed
 D/D..... direct drive
 defl..... deflector
 dia., diam..... diameter
 diaph..... diaphragm
 disp..... displacement
 dist..... distributor
 D/R..... Delco Remy
 drld..... drilled

ea..... each
 E/H/D..... extra heavy duty
 em/re..... emission reduction
 eng..... engine
 exc..... except
 ext..... extension
 E/susp. (lt. wt.) . . . EATON SUSPENSION (light weight)
 ev/em..... evaporative emisston

F2, F4..... Ford 2 or 4 barrel
 F/A, F/axle..... forward axle
 fdr..... fender

fill..... fillister
 flng..... flange
 F/M..... Fordomatic
 frt..... front
 ft..... foot
 f/wheel..... flywheel
 F/ward..... Forward

gal..... gallon
 gen..... generator
 gov..... governor
 G. V. W..... gross vehicle weight

H1, H2, H4..... Holley 1, 2 or 4 barrel
 hd..... head
 H/D..... heavy duty
 hel..... helical
 hex..... hexagon
 H/D R/R..... heavy duty roadranger
 hsg..... housing
 H/susp. Hendrickson suspension
 H/V..... hydraulic vacuum
 hyd..... hydraulic

I. D..... inside diameter
 I/K..... Inclined kingpin
 instr. instru..... instrument
 inter..... intermediate

"L"..... left
 lb..... pound
 L/D..... light duty
 L. H..... left hand
 LHD..... left hand drive
 lub..... lubricator
 l/w, l/washer..... lockwasher
 lwr..... lower
 L/N..... Leece Neville

man..... manifold
 MA/D..... Maximum duty
 M/D..... medium duty
 m. m..... millimeter
 M/S..... manual steering
 mtg..... mounting
 mtr..... motor

No..... number
 N. P. G..... New Process Gear

O. D..... outside diameter
 O/D..... overdrive
 Oper..... operated
 O/S..... oversize

park..... parking
 pass..... passenger
 pcs..... pieces
 P/D..... Parcel Delivery
 P/S..... power steering
 P. T. O..... Power Take Off
 P & P/susp. . . . Page & Page suspension

qt..... quart
 qty..... quantity
 "R"..... right
 rad..... radiator
 R/B..... replaced by

recirc..... recirculating
 reinf..... reinforcement
 repl..... replaced
 req'd..... required
 ret..... retainer
 R. H..... right hand
 R. P. M..... revolutions per minute
 rr..... rear
 R/R..... roadranger
 r/wheels..... rear wheels

S/B..... school bus
 second..... secondary
 s/member..... sidemember
 Ser..... serial
 spec..... special
 S/E, Spec. Econ. Special Economy
 speedo..... speedometer
 spg..... spring
 sq..... square
 s/ring..... snap ring
 std..... standard
 S/T..... standard transmission
 suppt..... support
 syn..... synthetic

T/A..... tandem axle
 T/C, T/Cab..... Tilt Cab
 T/E..... THERMACTOR EMISSION CONTROL SYSTEM
 T/M..... Transmatic
 trans..... transmission
 Trans/Ign or Trans.ign TRANSISTORIZED IGNITION
 T. S. L..... Truck Specification List
 T/susp. (lt. wt.) . . . TIMKEN SUSPENSION (light weight)
 T/T..... Tractor Trailer

U. D., U/D..... under drive
 UBS..... uniform bearing stress
 u/joint, u/jt..... universal joint
 U/S..... undersize

vac..... vacuum
 vent..... ventilation
 vlv..... valve

w/..... with
 w/b, W/B..... wheelbase
 W/G..... with governor
 w/out, w/o..... without
 w/s, w/shield..... windshield
 w/strip..... weatherstrip

X..... exclusive
 X/C..... extra cooling
 X/H/D..... exclusive heavy duty
 X/H/D R/R...EXCLUSIVE HEAVY DUTY ROADRANGER



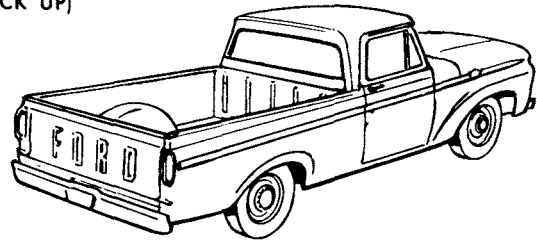
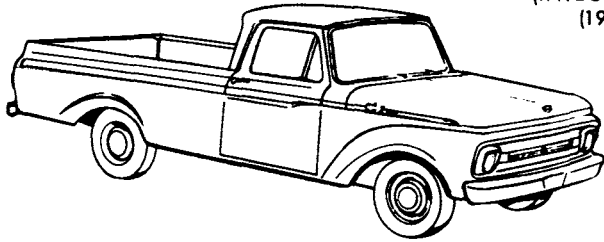
BUY IT NOW!

Click Here To Order

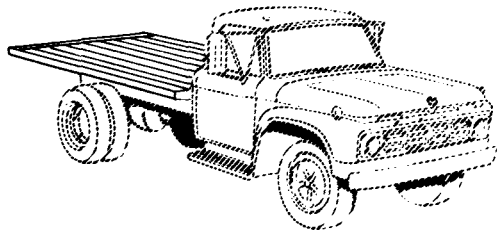


BODY TYPE

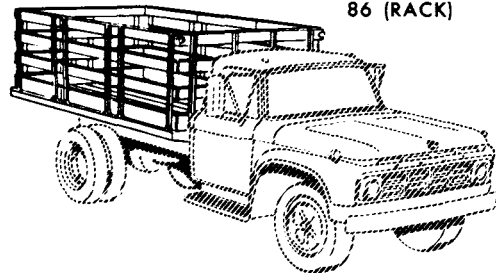
66
(INTEGRAL PICK UP)
(1961/63)



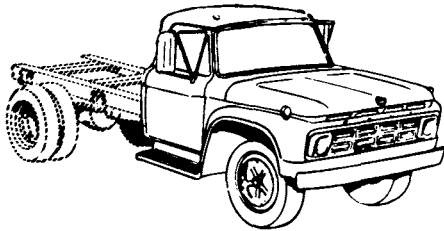
80 (PLATFORM)



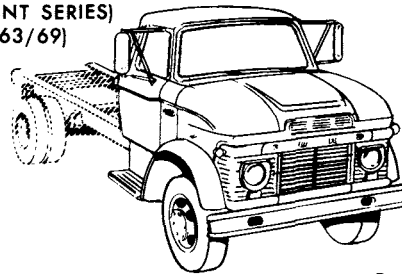
86 (RACK)



81 (F-T SERIES)

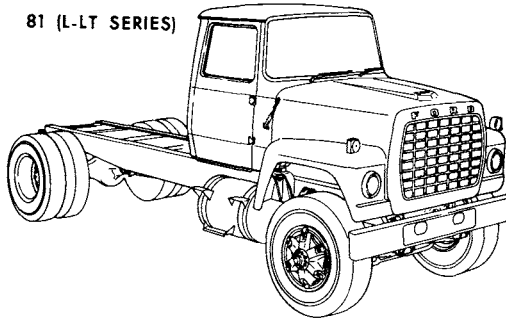


81 (N-NT SERIES)
(1963/69)

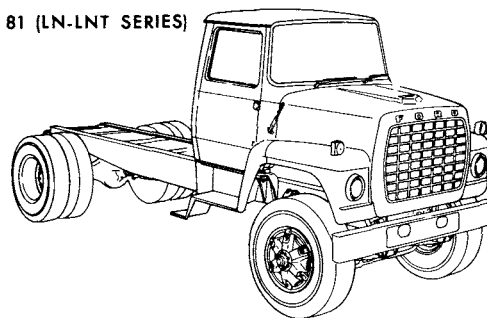


P-4881

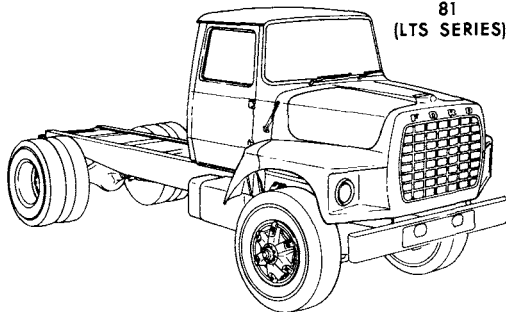
81 (L-LT SERIES)



81 (LN-LNT SERIES)



81
(LTS SERIES)



P-7503



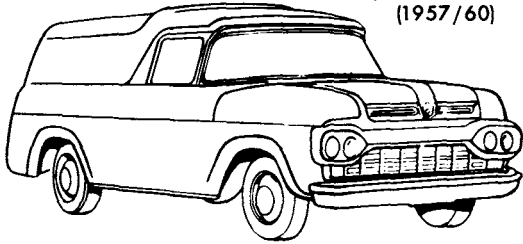
BUY IT NOW!

Click Here To Order

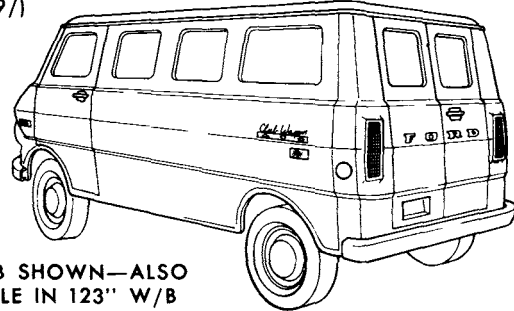
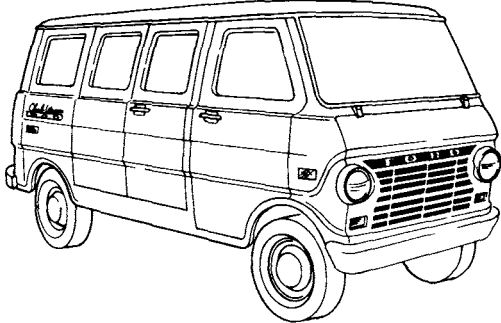


BODY TYPE

82 (PANEL DELIVERY)
(1957/60)

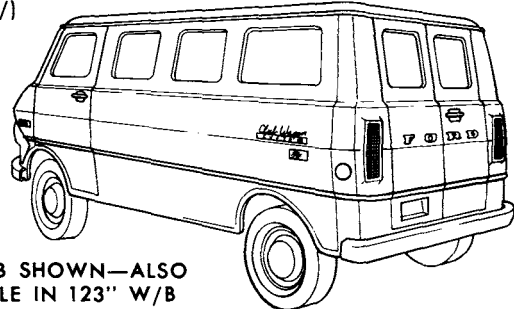
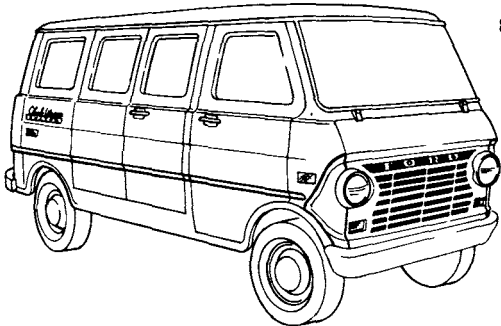


82A (1969/)



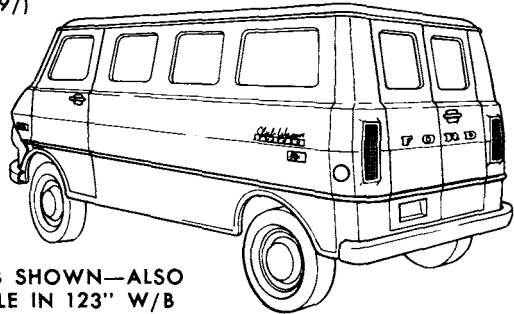
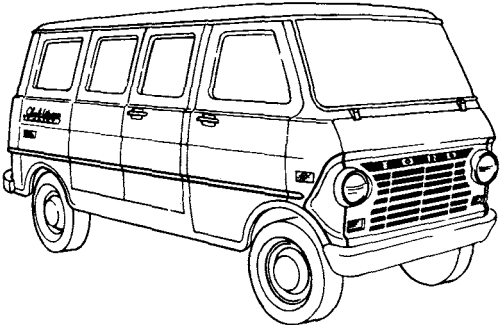
105" W/B SHOWN—ALSO AVAILABLE IN 123" W/B

82B (1969/)



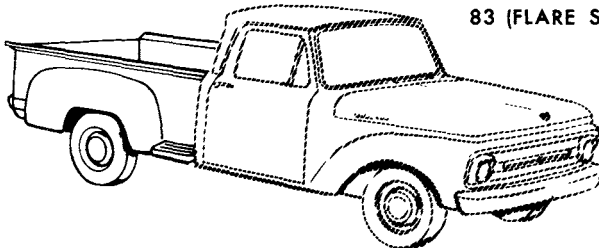
105" W/B SHOWN—ALSO AVAILABLE IN 123" W/B

82C (1969/)



105" W/B SHOWN—ALSO AVAILABLE IN 123" W/B

83 (FLARE SIDE PICK UP)



P-7501



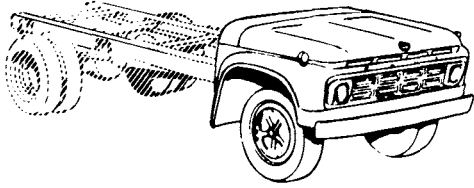
BUY IT NOW!

Click Here To Order

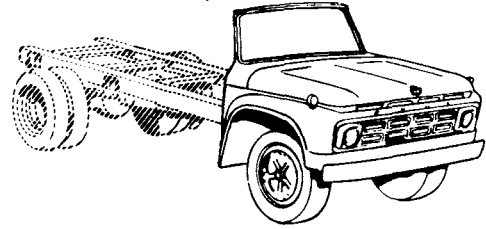


BODY TYPE

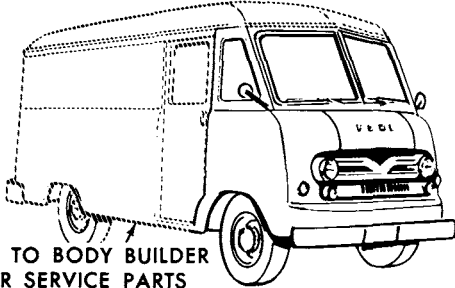
84 (OPEN DRIVE AWAY LESS WINDSHIELD)



85 (OPEN DRIVE AWAY INCLUDES WINDSHIELD)

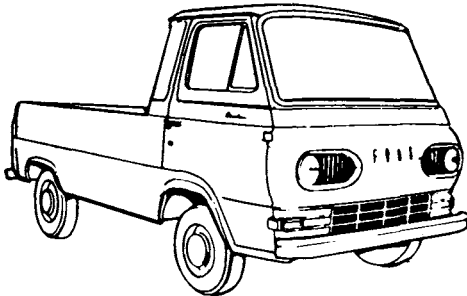
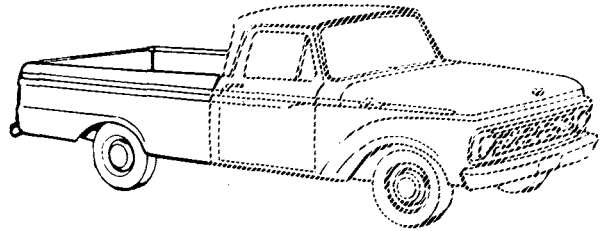


85 (PARCEL DELIVERY)

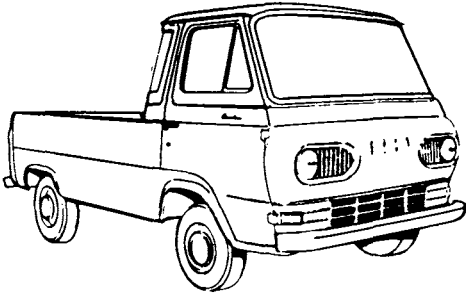
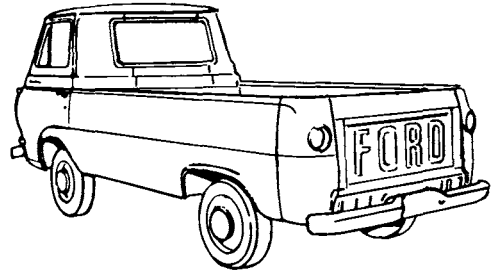


REFER TO BODY BUILDER FOR SERVICE PARTS

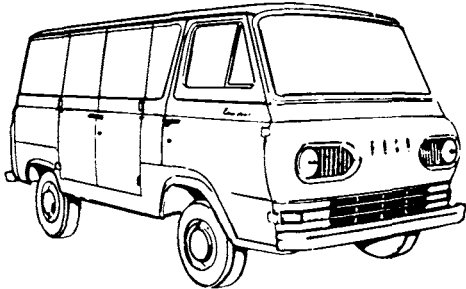
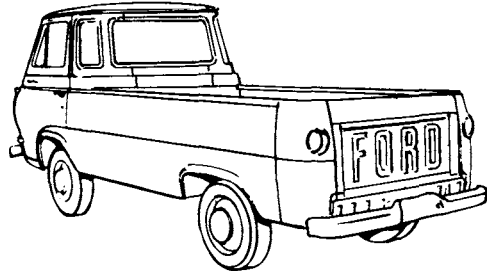
99 (STYLE SIDE PICK UP)



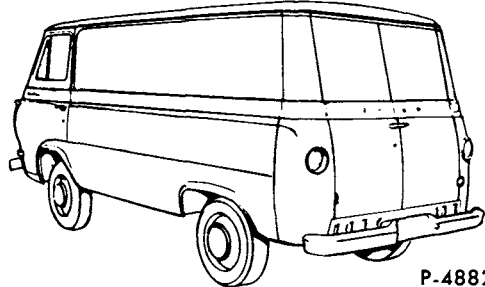
87A (STANDARD) (1961/67)



87B (CUSTOM) (1961/67)



89A (1961/67)



P-4882

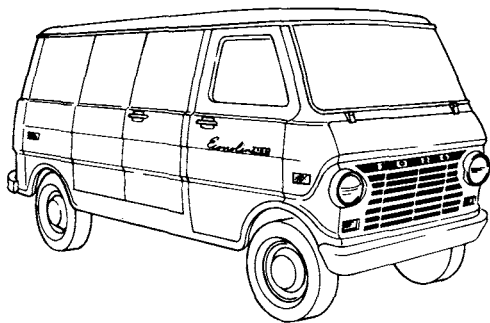


BUY IT NOW!

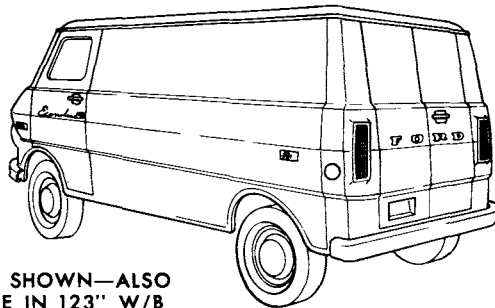
Click Here To Order



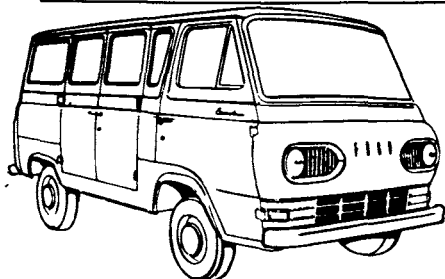
BODY TYPE



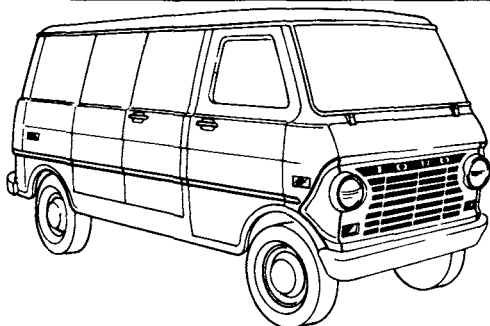
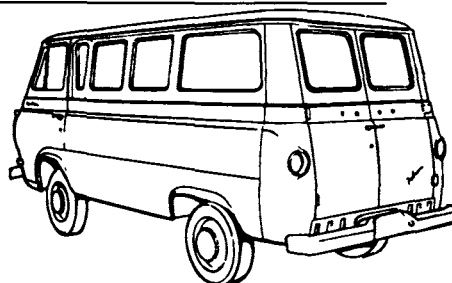
89A
(1969/)



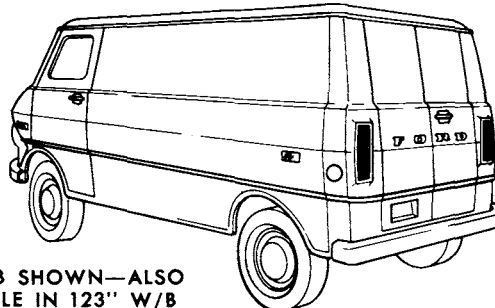
105" W/B SHOWN—ALSO
AVAILABLE IN 123" W/B



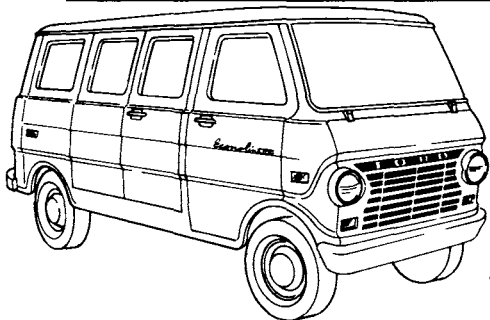
89B
89C
(1961/67)



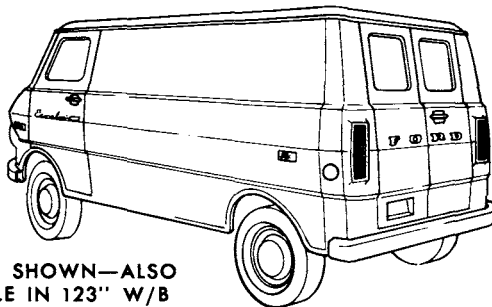
89B
(1969/)



105" W/B SHOWN—ALSO
AVAILABLE IN 123" W/B



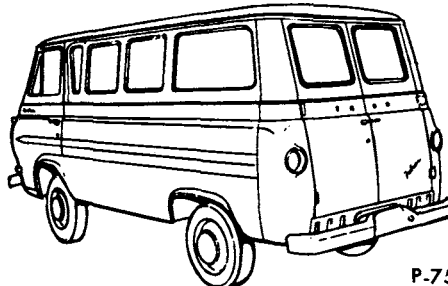
89C
(1969/)



105" W/B SHOWN—ALSO
AVAILABLE IN 123" W/B



89D
(1961/67)



P-7502

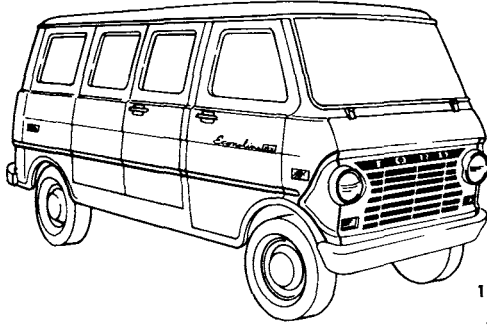


BUY IT NOW!

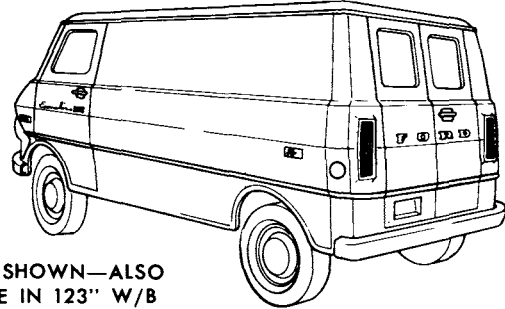
Click Here To Order



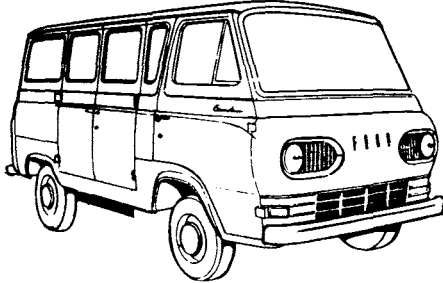
BODY TYPE



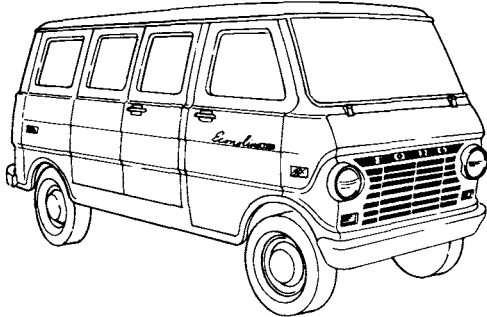
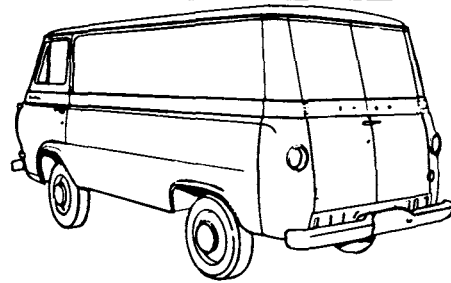
89D
(1969/)



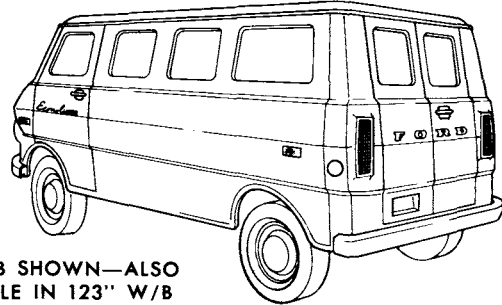
105" W/B SHOWN—ALSO
AVAILABLE IN 123" W/B



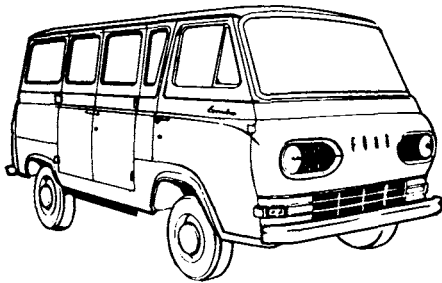
89E
(1963/67)



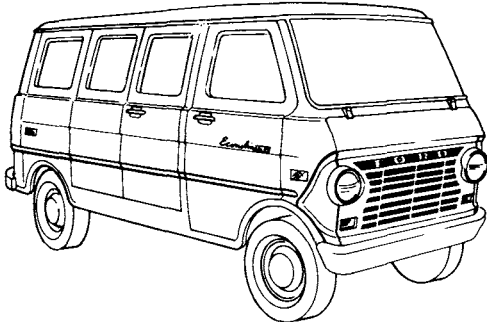
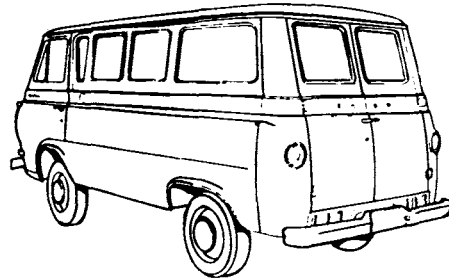
89E
(1969/)



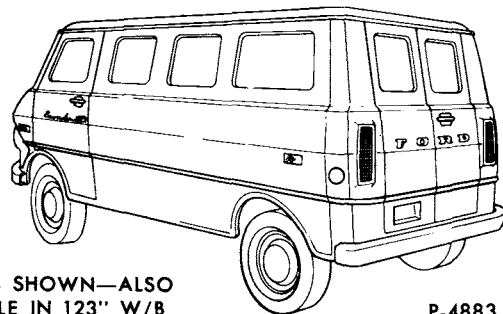
105" W/B SHOWN—ALSO
AVAILABLE IN 123" W/B



89F
(1963/67)



89F
(1969/)



105" W/B SHOWN—ALSO
AVAILABLE IN 123" W/B

P.4883

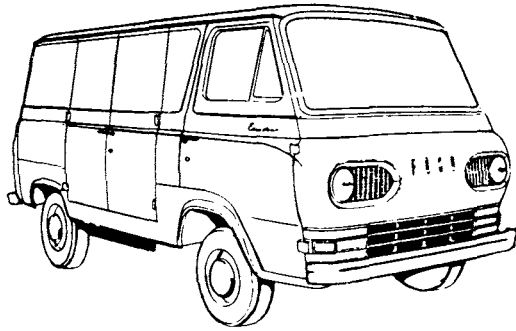


BUY IT NOW!

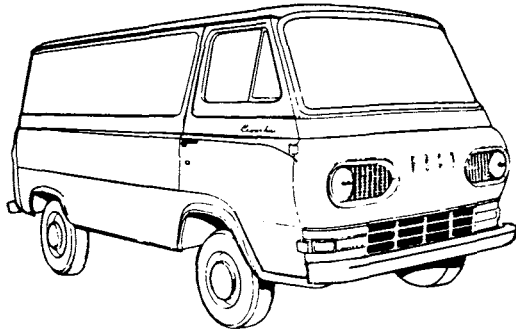
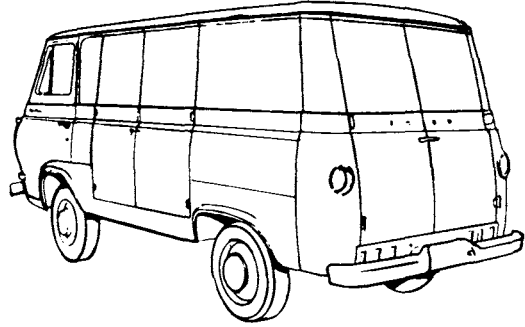
Click Here To Order



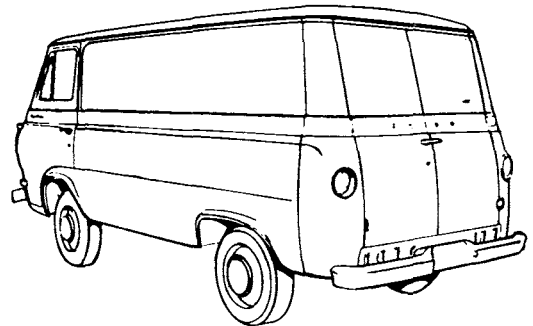
BODY TYPE



89G
(1963/67)



89H
(1963/67)



P-7504

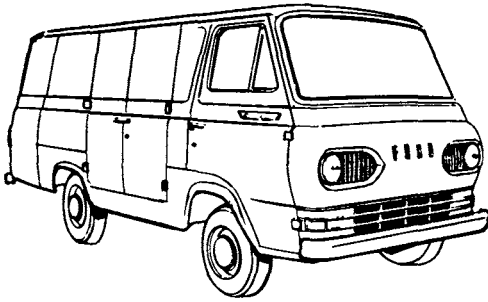


BUY IT NOW!

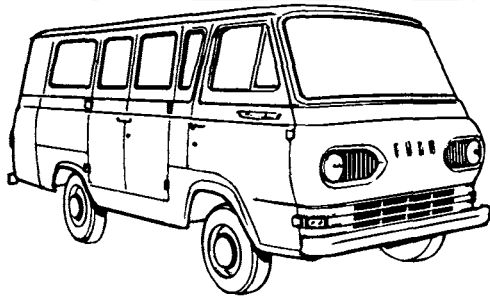
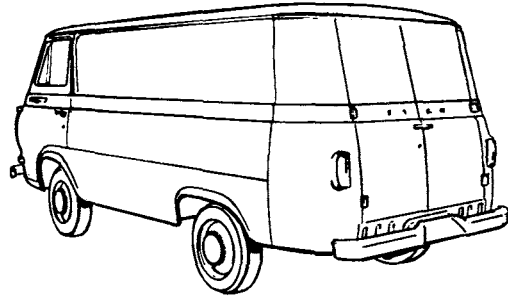
Click Here To Order



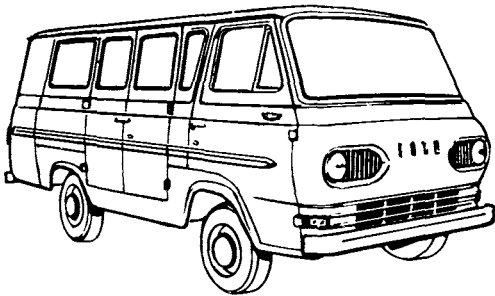
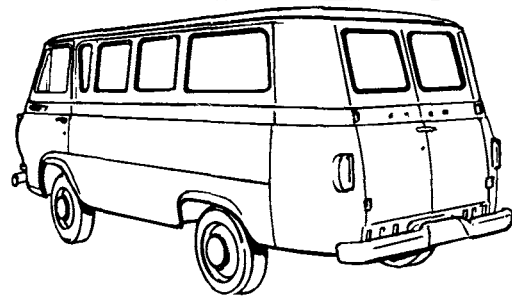
BODY TYPE



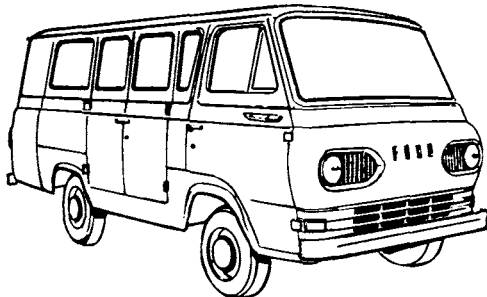
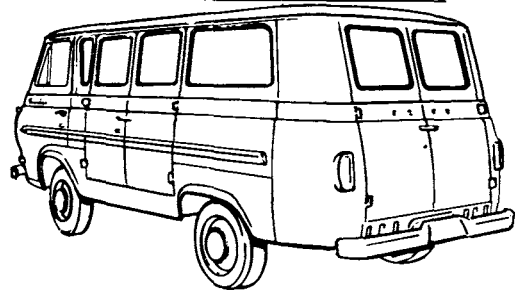
89J
(1965/67)



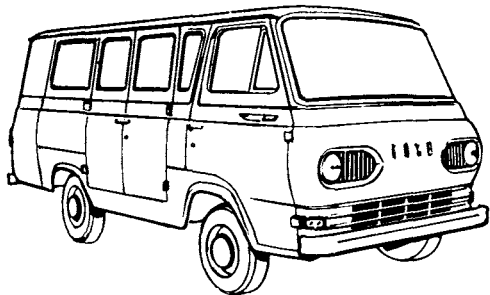
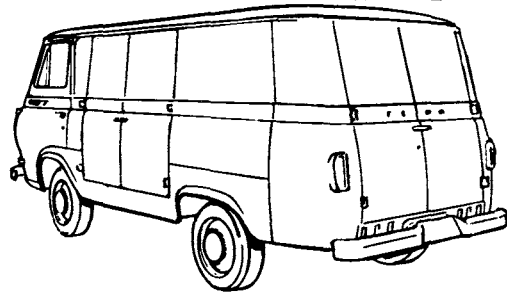
89K
(1965/67)



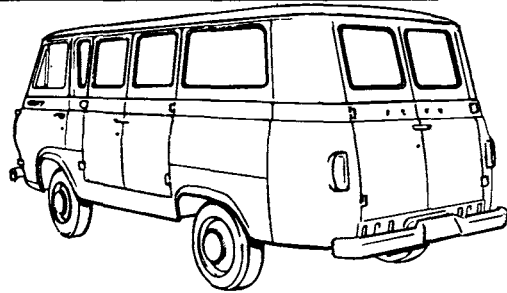
89L
(1965/67)



89M
(1965/67)



89N
(1965/67)



P-4884



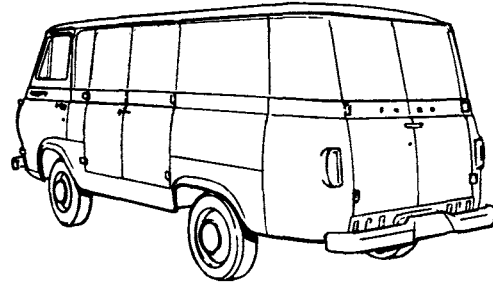
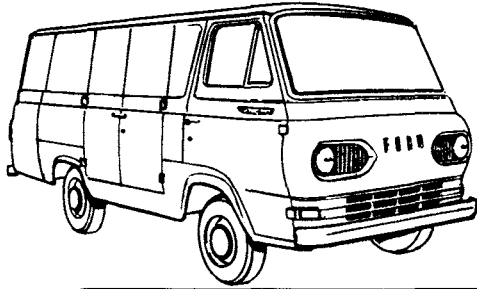
BUY IT NOW!

Click Here To Order

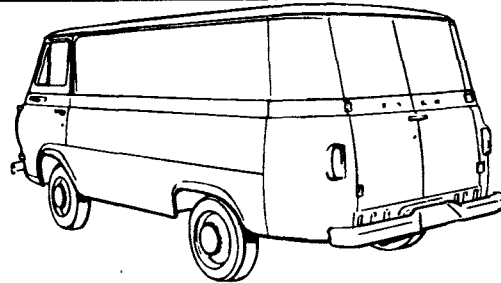
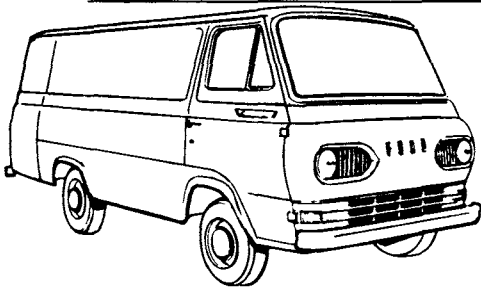


BODY TYPE

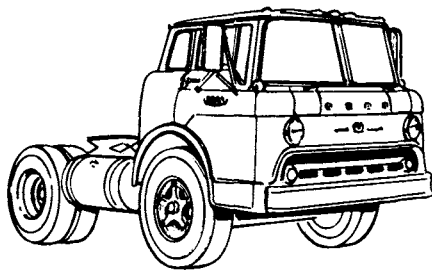
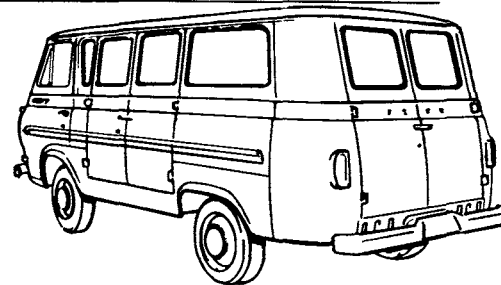
89R
(1965/67)



89S
(1965/67)

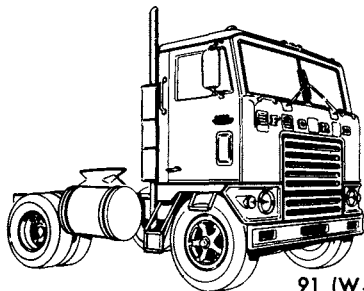
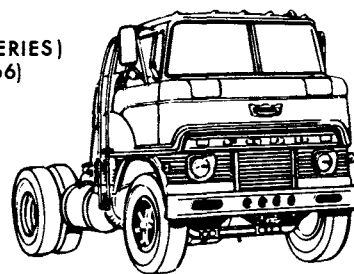


89T
(1965/67)



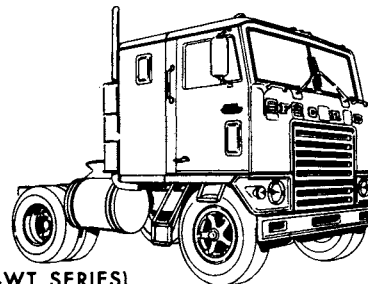
91 (C-CT SERIES)

91 (H-HT SERIES)
(1961/66)



91 (W-WT SERIES)
(1966/)

92 (W-WT SERIES)
(1966/)



P-4901



BUY IT NOW!

Click Here To Order



INDEX

Included in the Paint Section are the following:

Paints, Thinners, etc., including	
Thinners and Reducers	XXXVIII
Undercoats	XXXVIII
Rubbing Compounds	XXXVIII
Putties and Sealers	XXXVIII
Specialties	XXXVIII
Black Finishes	XXXVIII
Engine Reconditioning-Paint	XXXVIII

Synthetic Enamels-Exterior Paint-	
listed by Warranty or Rating Plate	
Color Code	XXXVIII
Appearance and Maintenance	
Material	XXXIX thru XLI
Used Car Reconditioning Materials	XLI

PAINTS, THINNERS, ETC.

DESCRIPTION	PART NUMBER	DESCRIPTION	PART NUMBER
BLACK and WHITE FINISHES		SEALERS and UNDERCOATS	
Chassis black-1 gal. can	B8A 1713-A	Lacquer combination primer surfacer (gray)-1 gal. can	M6J 12-D
THINNERS and REDUCERS		Lacquer primer surfacer (gray)-6 oz. spray can	M 6J 12-S
Leveler (over spray)-6 oz. spray can	B7A 645-S	Primer sealer (non-sanding)-1 gal. can	#AE60 12-A
Lacquer thinner No. 1 (slow dry)-1 gal. can	M14J 645-D	Lacquer combination primer surfacer (red)-1 gal. can	M 6J 13-D
Lacquer thinner No. 1 (slow dry)-5 gal. can	M14J 645-E	Primer surfacer-lacquer type (light gray)-(light gray)-1 gal. can	M 6J 13-E
Lacquer thinner No. 2 (medium fast dry) - 1 gal. can	M14J 646-E	Primer surfacer (non-sanding flash type)-(red)-1 gal. can	DL60 13-A
Lacquer thinner No. 2 (medium fast dry)- 55 gal. drum	M14J 646-H	Sealer (recoating)-for DL60 paints only - 1 qt. can	DL60 14-A
Lacquer thinner (all purpose)-1 gal. can	M14J 647-D	RUBBING COMPOUNDS	
Lacquer thinner No. 2 (medium fast dry)- 5 gal. can	M14J 647-E	Compound(hand rubbing-water base)-1 gal. can	M 3789
Enamel reducer-1 gal. can	Δ DL60 647-A	SPECIALTIES	
Enamel reducer (all purpose)-1 gal. can	M14J 648-D	Silicone & wax remover-1 gal. can	DL60 3721-A
Enamel reducer (all purpose)-5 gal. can	M14J 648-E	Acrylic lacquer (clear)-1 qt. can	AR60 50-C
Solvent retarder (general purpose)-1 gal. can	● AR60 648-C	ENGINE RECONDITIONING - PAINT	
Silicone Decontaminant (Fish Eye Killer)- 1 qt. can	AE60 649-A	Black-1 Qt.	EP 1724-C
		Corporate Blue-1 Qt.	EP 2075-C

§ EXTERIOR PAINT - (ACRYLIC ENAMEL)

C O D E *	YEAR	NAME	PART NUMBER			C O D E *	YEAR	NAME	PART NUMBER		
			3-OZ.	SUFFIX	6-OZ. SPRAY				3-OZ.	SUFFIX	6-OZ. SPRAY
		* SHOWN ON WARRANTY PLATE						* SHOWN ON WARRANTY PLATE			
A	57/58	Black	#M 4J 1724	S		F	60	Light Blue	AE60 1226-A	C	S
A	60/		AE60 1724-A	C	S	G	63/	Chrome Yellow	AE60 1526-A	C	S
B	60/	Turquoise	AE60 556-A	C	S	J	62/	Red	AE60 1515-A	C	S
C	63/	Pure White	AE60 1525-A	C	S	L	60/	Dark Green	AE60 1237-A	C	S
E	57/59	Colonial White	M 4J 524-A	A	S	M	60/63	Corinthian White	DL60 1238-A	C	S

Δ Used only with DL60 Diamond Lustre or AE60 Acrylic paints † Used with AE60 Acrylic Enamel

Acrylic Lacquer or Enamel Thinners & Reducers.

1) gal. can



BUY IT NOW!

Click Here To Order



APPEARANCE & MAINTENANCE MATERIALS

PART NUMBER	DESCRIPTION	PART NUMBER	DESCRIPTION
B7A 19000-CS	Clear plastic (FoMoCo spray)-15 oz. net wt. - spray can	BD 19530-A	Blue Coral treatment - 16 oz. bottle
B7A 19000-DS	Chrome-Alum (FoMoCo spray)-15 oz. net wt. - spray can	B6A 19530-A	Custom finish reconditioner-12 oz. plastic bottles
C5AZ 19000-B	Clear plastic coating-5 gal. can	B7A 19530-A	Silicone auto polish-16 oz. can
C5AZ 19000-C	Paint (argent lacquer)-15 oz. net wt. -spray can	B7A 19530-B	Custom Silicone Gloss (New Car Prep)-1 gal.
C0AZ19A501-A	Rust penetrant & inhibitor-8 oz. can	B9A 19530-D	Custom finish reconditioner-1 gallon can
C4AZ19A501-A	Rust penetrant & inhibitor-12 oz. can	C4AZ 19D530-A	Lubricant (distributor cam)-1 1/2 oz. tube
C5AZ 19A501-B	Parts cleaner-immersion (1) 12 gal. container with 10 gals. cleaning fluid, (1) dipping basket	BD 19534-A	Blue Coral sealer-80 gram jar
C5AZ 19A501-C	Parts cleaner-immersion-refill (1) 6 gal. container with 5 gals. cleaning fluid	BD 19534-B	Blue Coral sealer-1/2 lb. can
C9AZ 19A501-B	Automatic choke cleaner-(12) 14 oz. spray cans	B4A 19534-A	Custom auto wax-8 oz. can
C9AZ 19A503-A	Radiator Flush-(10 minute)-(12) 12 oz. cans	B8A 19534-A	Custom auto wax 1-lb. can
C1AZ 19C507-B	Cleaner (convertible rear window)-12 oz. plastic bottle	B7A 19542-B	Brake fluid (super heavy duty)-1 gallon
C8AZ 19C507-A	Cleaner (Automotive Glass) (12) 23 oz. aerosol cans	B7A 19542-C	Brake fluid (super heavy duty)-5 gallons
B9AE 19B508-A	Contact adhesive(gasket & seal)16 oz. can with brush	B7AZ 19542-A	Brake fluid (super heavy duty)-12 oz. can
B5A 19515-A	Body undercoating-53 gallon drum -regular	C6AZ 19542-A	Brake fluid (extra heavy duty)-(24) 16 oz. cans for vehicles with disc or drum brakes - also used as hydraulic clutch fluid
C5AZ 19515-A	Body undercoating-16 gallon drum	C6AZ 19542-B	Brake fluid (extra heavy duty)-(12) 1 qt. cans for vehicles with disc or drum brakes-also used as hydraulic clutch fluid
C4AZ 19517-B	Cloth (polishing)	C3AZ 19B542-A	Putty (dark gray)-1 lb. tube
1A 19517	Dusting cloth (wax treated)-17 1/2" x 23"	C3RZ 19C544-B	De-icer (windshield)-14 oz. aerosol scraper can
C8AZ 19517-A	Pad assy. -buffing-(single)	C8AZ 19C544-B	Gas line anti-freeze-12 oz. can
C8AZ 19517-B	Pad assy.-buffing-(dual)-includes (2) spacers-buffing pad, (1) I.S. 3093-instruction sheet	C9AZ 19C544-A	Engine starting fluid-(12) 11 oz. aerosol can
8A 19519-A	Cleaner (body polish & wax)-1 pint can	C9AZ 19C544-B	Liquid tire chain-traction improver-(12) 4 oz. aerosol can
B9LF 19B519-A	Refrigerant (Air Conditioner)-15 oz. can	8A 19546-C	Radiator rust inhibitor & water pump lubricant-16 oz.
B7A 19520-A	Tar & road oil remover-16 oz. can	C1AA 19B546-A	Lubricant(Hypoid additive)-4 oz. plastic bottle
8A 19520-G	Cleaner (body porcelainize)-1 gal. can	C8AZ 19B546-A	Additive friction modifier-hypoid gear-4 oz. plastic bottle-(for F100/350, P350/400, E300 trucks with front driving axles & rear axles with Dana power lock
BAF 19521-A	Cleaner(leather and vinyl)-1 pint can	C3RZ 19C547-B	Lubricant (std., 3 & 4 speed trans.)-5 gal.
B7A 19521-A	Spot Remover (chlorothene cleaner)-1 pint can	C6TZ 19C547-A	Transmission Lubricant-SAE 50 (5 or more speed trans.)-55 gal. drum
C0AA 19B521-A	Compound (body washing detergent)-12 oz. can	C2RZ 19C548-A	Automatic transmission & power steering sealer-8 oz. can
8A 19522	Bright metal cleaner-1 pint can	C5AZ 19E548-A	Tinting assort. -(12)-1 pint cans of Acrylic Enamel repair tinting colors
B8A 19523-A	Cleaner (all purpose)-1 qt. liquid concentrate	C7AZ 19E548-A	Tinting assort. -(12)-1 pint cans of Acrylic lacquer-tinting colors
B8A 19523-B	Cleaner (all purpose)-1 gal. plastic bottle - concentrate	C2AZ 19549-C	Ford permanent anti-freeze & coolant-55 gal. drum
B8A 19523-C	Cleaner (all purpose)-55 gallon drum	8A 19549-A	Ford permanent anti-freeze & coolant-1 gallon
C9AZ 19523-A	Wash & wax concentrate-(4)-1 gal. plastic containers	8A 19549-B	Ford permanent anti-freeze & coolant-1 quart
C2AZ 19C525-A	Trim cement (Vinyl adhesive)-1 pint can	CPA 19550-A	Windshield washer solvent-6 oz. bottle
C0AZ 19526-A	Triple Clean-for leathers, vinyls, carpets & fabric upholstery-12 oz. bottle w/brush	C1AA 19550-A	Windshield washer solvent-16 oz. can
B7A 19528-A	Porcelainize liquid-8 oz. bottles	C3RY 19550-B	Solvent & De-icer -w/shield washer-16 oz. glass bottle
8A 19529-B	Porcelainize (wash cream)-8 oz. bottle	C6AZ 19550-A	Windshield washer solvent reserve kit-contains (1) solvent container, (1) bracket & (2) attaching screws
		C9AZ 19550-A	Ford ultra clear windshield washer solution-(12)-16 oz. cans
		C9AZ 19550-B	Ford ultra clear windshield washer solution-(12)-32 oz. cans



BUY IT NOW!

Click Here To Order



APPEARANCE & MAINTENANCE MATERIALS

PART NUMBER	DESCRIPTION	PART NUMBER	DESCRIPTION
C0AZ 19552-A	Rubber cement-5 oz. tube (light colored)	C5AZ 19579-A	Motor oil-10W-20W-30(1 qt. can)
8A 19552-B	Rubber cement-5 oz. tube	C5AZ 19579-N	Motor oil-10W-20W-30(1 gal. can)
C0AZ 19553-A	Silicone lubricant (jell type)-8 oz. tube	C5AZ 19579-B	Motor oil-10W-20W-30(5 qt. can)
C0AZ 19553-C	Silicone lubricant-16 oz. aerosol spray can	C5AZ 19579-C	Motor oil-10W-20W-30(55 gal. drum)
B5A 19554-A	Perfect seal sealing compound-carton of 12 4 oz. cans	C5AZ 19579-K	Motor oil-10W-40 (1 qt. can)
C0AA 19554-A	Radiator inhibitor-rust, stop leak & water pump lubricant-5 1/2 oz. bottle	C5AZ 19579-S	Motor oil-10W-40 (1 gal. can)
C3AZ 19554-A	Sealant-(loctite)-1 2/3 oz. plastic bottle	C5AZ 19579-L	Motor oil-10W-40 (5 qt. can)
C3AZ 19554-B	Sealer (conductive)-3 oz. can with brush	C5AZ 19579-M	Motor oil-10W-40 (55 gal. drum)
C6AZ 19554-A	Metallic Plastic (to repair cyl. front cover & cyl. block intake manifold)(1) can-metallic resin, (1) jar-hardening agent	C5AZ 19579-G	Motor oil-20W-40 (1 qt. can)
C6TZ 19554-A	Sealer(gasket and plug) lacquer base-1 pint can	C5AZ 19579-R	Motor oil-20W-40 (1 gal. can)
C9AZ 19554-A	Perfect seal sealing compound-(12) 15 oz. aerosol can	C5AZ 19579-H	Motor oil-20W 40 (5 qt. can)
C9AZ 19554-B	Sealer (liquid butyl)-Black-for sealing butyl installed windshield and backlite-1 pint can	C5AZ 19579-J	Motor oil-20W 40 (55 gal. drum)
D0AZ 19554-A	Kit-loctite minute bond adhesive 312-used on vehicles having sintered stainless steel rear view mirror bracket. -Consists of (1) 50cc adhesive,(1) 6 oz. can accelerator and (1) instruction sheet	C1AZ 19580-G	Hypoid gear lubricant (rear axle)-120 lb. keg (S. A. E. 90)-not used with limited slip (equa lock) axle
D0AZ 19554-B	Accelerator for loctite minute bond adhesive 312-6 oz. aerosol spray can	C2AZ 19580-B	Hypoid gear lubricant (rear axle)-5 gal. container-S. A. E 80 (temperature range-minus 25° and below)
B6AZ 19558-B	Protector pellets (cooling system)-carton of 12 pellets	C2AZ 19580-D	Hypoid gear lubricant (rear axle)-1 gal. - for high performance vehicles
C9AZ 19558-A	Protector pellets (cooling system)-carton of 24 pellets	C2AZ 19580-F	Hypoid gear lubricant (rear axle)-120 lb. keg (S. A. E. 90)
AB 19560-A	Caulking cord-6-80foot rolls-3/16" diameter	C6AZ 19580-A	Hypoid gear lubricant (rear axle)-5 gal. -not used with limited slip (equa-lock) axle
C3AZ 19560-A	Body sealer (synthetic resin)-3 lb. tube	C6AZ 19580-B	Hypoid gear lubricant-5 gal. -used only with conventional axles - (For light trucks with Dana axles applicable amount of C8AZ 19B546-A additive to be used with complete fill)
C3AZ 19562-A	Sealer & filler (silicone rubber)-5 oz. tube-for Vinyl tops, also body sealer-White	C6AZ 19580-D	Hypoid gear lubricant-120 lb. keg-used only with conventional axles - (For light trucks with Dana axles applicable amount of C8AZ 19B546-A additive to be used with complete fill)
C3AZ 19562-B	Sealer & filler (silicone rubber)-5 oz. tube-for Vinyl tops, also body sealer-Black	C6AZ 19580-E	Hypoid gear lubricant-1 gal. -used only with conventional axles - (for light trucks with Dana axles applicable amount of C8AZ 19B546-A additive to be used with complete fill)
C5AZ 19562-B	Kit-Coach-joint sealer repair (1) 4 oz. can joint sealer (1) 1 oz. bottle with applicator brush cap-adhesion primer (1) wooden spatula	C8TZ 19580-A	Hypoid gear lubricant (SAE 90)-1 gal. can- (for F100/350, P350/400, E300 trucks with front driving axles & rear axles with Dana power lock)
D0AZ 19562-A	Kit-windshield & backlite seal-butyl tape (172")-used when replacement of glass is necessary and existing butyl tape is reliable	C9AZ 19580-A	Hypoid gear lubricant-for limited slip axle-(4) 1 qt. -plastic container with spout
C9AZ 19577-A	Refrigerant compressor oil-used with York or Tecumseh compressor-1 pint can	B5AZ 19581-A	Speedometer cable grease-1 lb. can
C6AZ 19562-C	Kit-windshield & backlite seal-butyl tape (172")	C1AZ 19582-A	Fluid (Automatic trans. & Power Steering)-1 quart can
C3AZ 19578-A	Steering gear lubricant (life time)-14 1/2 oz. cartridge	C1AZ 19582-C	Fluid (Automatic trans. & Power Steering) -1 gallon can
B7A 19579-C	Crankcase conditioner & rust inhibitor-16oz. can	C1AZ 19582-D	Fluid (Automatic trans. & Power Steering) 55 gal. drum
★B7A 19579-A	Carburetor & combustion chamber cleaner-16 oz. can -R/B B7AZ 19579-A (12-69)	B6A 19583-A	Ru-Glyde-rubber lubricant (for tubeless tire servicing)-1 gal. can
B7AZ 19579-A	Carburetor & combustion chamber cleaner-(12)-24 oz. cans	C8AZ 19583-A	Ru-Glyde-rubber lubricant (for vacuum hose attachment)-8 oz. can
C6AZ 19579-B	Carburetor & combustion chamber cleaner-(12)-20 oz. -aerosol cans	C0AZ 19584-A	Lubriplate (all purpose lubricant) 1 3/4 oz. tube
C2AZ 19579-A	Crankcase oil conditioner-16 oz. can	C4AZ 19584-A	Grease (polyethylene)-8 oz. tube with spout
C2AZ 19579-B	Crankcase oil conditioner-55 gal. drum	C4AZ 19584-B	Grease (polyethylene)-16 oz. spray can
C5AZ 19579-D	Motor oil-5W-30 (1 qt. can)	B4A 19587-A	Latch lubricant-carton of 12-4 oz. cans
C5AZ 19579-P	Motor oil-5W-30 (1 gal. can)		
C5AZ 19579-E	Motor oil-5W-30 (5 qt. can)		
C5AZ 19579-F	Motor oil-5W-30 (55 gal. drum)		



BUY IT NOW!

Click Here To Order



PART NUMBER	DESCRIPTION	PART NUMBER	DESCRIPTION
-------------	-------------	-------------	-------------

APPEARANCE & MAINTENANCE MATERIALS

B8A 19589-A	Lubricant (special purpose)-1 lb.	C9AZ 19627-A	Tape (automotive masking)-3/4" wide-60 yd. roll
C1AZ 19590-B	Lubricant(multi-purpose long life)-14 1/2 oz. cartridge	C9AZ 19627-C	Tape (automotive masking)-2" wide-60 yd. roll
C1AZ 19590-C	Lubricant(multi-purpose long life)-120 lb. keg	C8AZ 19628-A	Tape (elec. insulating)-black (shop pkg.)-3/4" -44 ft. roll
C1AZ 19590-D	Lubricant (multi-purpose long life)-25 lb. pail	C8AZ 19628-B	Tape (elec. insulating)-black (shop pkg.) -3/4" -20 ft. roll
C1AZ 19590-E	Lubricant (multi-purpose long life)-5 lb. pail	C8AZ 19628-C	Tape (elec. insulating)-black (display pkg.)-1/2" -12 1/2 ft. roll
C6AZ 19590-A	Lubricant(steering linkage)-14 1/2 oz. cartridge	C8AZ 19628-D	Tape (elec. insulating)-black (display pkg.)-3/4" -20 ft. roll
C6AZ 19590-B	Grease (bearing lubricant)-4 oz. tube-used with T/E-pump assy. -exhaust air supply	C8AZ 19628-E	Tape (elec. insulating)-black (dispenser)-3/4" -66 ft. roll
C7AZ 19590-A	Lubricant(lower steering arm & spindle stop pads)-1 lb. can	C8AZ 19628-F	Tape (elec. insulating)-black (individual metal can)-3/4" -66 ft. roll
C7AZ 19590-B	Grease-remote control linkage-(tilt cab)-4 oz. tube	C8AZ 19628-G	Tape (elec. insulating)-black (individual skin pkg.)-3/4" -20 ft. roll
C0TZ 19591-A	Fluid (radiator shutter control)-1 gal. can	C8AZ 19628-H	Tape (elec. insulating)-black (individual skin pkg.)-3/4" -66 ft. roll
C0TZ 19591-B	Fluid (radiator shutter control)-1 qt. can		
C6AZ 19627-A	Tape (vinyl foam)-1/8" x 7/8" -50 ft. roll-used to shim weatherstrip roof rails and doors		

USED TRUCK RECONDITIONING MATERIALS

C0AZ 19A536-D	Engine shampoo (cleaner & degreaser)-5 gal. drum	C7AZ 19A542-M	Color reconditioner-mult-purpose auto upholstery paint assortment (33)-1 quart cans of color reconditioner paint (3)-1 quart cans rubber sealer paint (1) color intermix card-(1) metal display rack
C0AZ 19A536-E	Engine shampoo (cleaner & degreaser)-30 gal. drum		
C0AZ 19A536-F	Engine shampoo (cleaner & degreaser)-55 gal. drum		
B9AA 19A537-A	Patch, Rubber Mat-(1 Pkg. of 6)	C0AZ 19A547-A	Filler (polyfiller)-body repair kit-(1)-1 quart container with (1) 1 1/4 oz. tube of C0AZ 19B542-A cream hardener attached to each quart
C7AZ 19A537-A	Color reconditioner-rubber sealer paint (for reconditioning rubber floor mats)-1 quart can	C0AZ 19A547-B	Filler (polyfiller)-body repair-1 gallon of plastic filler with (1) 4 1/2 oz. tube of cream hardener attached
C0AB 19B542-A	Cream (poly filler hardener)-1 pkg. of 5-1 oz. tubes	C1AZ 19627-A	Tape (pressure sensitized)-5" wide x 60 yards -used to recover arm rests, seats, floor mats, etc.
C0AZ 19B542-A	Cream (polyfiller hardener)-1 pkg. of 6-1 1/4 oz. tubes supplemental supply-used with C0AZ 19A547-A or B polyfiller body repair material		

PART NUMBER	DESCRIPTION	PART NUMBER	DESCRIPTION	PART NUMBER	DESCRIPTION	PART NUMBER	DESCRIPTION
PLASTIC TINT - QUART CAN				PLASTIC DYE - QUART CAN			
B9AA 19A539-A	White			B9AA 19A541-B	Black	B9AA 19A541-E	Gray
B9AA 19A539-C	Brown			B9AA 19A541-D	Green	B9AA 19A541-F	Blue
				C0AA 19A541-A	Yellow		
LEATHER and VINYL DYE - QUART CAN				FABRIC TINT - QUART CAN			
B9AA 19A540-C	Brown	B9AA 19A540-H	Turquoise	B9AA 19A542-C	Gray		
COLOR RECONDITIONER - AIR DRY AUTO UPHOLSTERY - QUART CAN							
C7AZ 19A542-B	Yellow	C7AZ 19A542-H	Red	C7AZ 19A542-E	Turquoise	C7AZ 19A542-L	Clear
C7AZ 19A542-C	White	C7AZ 19A542-J	Black	C7AZ 19A542-F	Dark Blue		
C7AZ 19A542-D	Medium Copper	C7AZ 19A542-K	Silver				



BUY IT NOW!

Click Here To Order



INDEX

INCLUDED IN THIS INDEX SECTION ARE THE FOLLOWING MAJOR GROUPS:

BRAKE SYSTEMS

SPARE WHEEL PARTS

WHEELS, HUBS & DRUMS

SECTIONS 10 & 11 - WHEELS, HUBS and DRUMS

PART NAME	GROUP NUMBER	PART NAME	GROUP NUMBER
Actuator (free running hub clutch)	1098	Knob (lockout hub actuating)	1A029
Adapter (rear axle shaft stud)	1142	Locknut assy. (front wheel bearing)	1197
Bearing assy. (free running hub inner coupling)	1092	Lock ring (free running hub inner coupling)	1080
Bearing ass'y. (rear wheel)-ball	1225	Nut (dual rear disc wheel)-inner	1132-3
Body (free running hub clutch)	1093	Nut (dual rear disc wheel)-outer	1134-5
Bolt (hub)	1107-8	Nut (hub bolt)	1012
Bolt (hub)-L.H. thread	1119	Nut (wheel)	1120-1
Bolt (hub)-R.H. thread	1118	"O" ring (free running hub knob)	1A030
Bolt (spoke wheel rim clamp)	1151	Oil seal assy. (rear axle)	1181
Bushing (lockout hub)	1A023	Pin (free running hub drive)	1094
Cap (front hub grease)	1131	Pin (free running hub stop)	1095
Cap (rear hub grease)	1248	Pin (lockout hub retaining cap)	1A025
Cap (wheel hub)	1130	Pin (rear wheel inner bearing spacer)	1A012
Clamp (spoke wheel rim)	1042-3	Plate & pin (lockout hub retaining)	1A020
Cone and roller assy. (front wheel bearing)	4221	Retainer (front wheel bearing lock)	1198
Cone and roller ass'y. (front wheel inner bearing)	1201	Retainer (front wheel grease)	1190
Cone and roller ass'y. (front wheel outer bearing)	1216	Retainer (rear wheel bearing)-inner	1180
Cone & roller ass'y. (rear wheel and diff. bearing)	1244	Retainer (rear wheel grease)	1175
Cone and roller ass'y. (rear wheel outer bearing)	1240	Retainer (rear wheel grease)-outer	1246
Control assy. (free running hub)	1089	Rim ass'y. (wheel)	1020
Coupling (free running hub)	1090-1	Ring & cam body assy. (lockout hub)	1A022
Cover (brake cylinder)	2055	Ring assy. (wheel trim)	1210
Cup (front wheel bearing)	1202	Ring (free running hub clutch)	1101
	1243	Ring (wheel rim lock)	1021
	4222		
Cup (front wheel outer bearing)	1217	Seal ass'y. (rear wheel bearing oil)-inner	1177
Cup (rear wheel or differential bearing)	1243	Seal (front hub grease)	1193
Cup (wheel bearing)	1239	Seal (rear hub grease)	1249
Drum (front brake)	1125	Shim (free running hub clutch)	1070
Drum (rear brake)	1126	Sleeve & ring assy. (lockout hub)	1A028
Flange (wheel rim)	1099	Slinger (rear hub oil)	1165
Gasket (front air brake slinger)	1152	Spacer (disc wheel hub)	1A014
Gasket (front brake grease baffle)	1193	Spacer (front hub)	1199
Gasket (front wheel hub and grease cap)	1153	Spacer (front hub grease retainer)	1212
Gasket (lockout hub housing)	1A021	Spacer (front hub to spindle)	1194
Gasket (rear axle wiper)	1187	Spacer (front wheel inner bearing)	1213
Gasket (rear hub)	1183	Spacer (rear spoke wheel rim)	1044
Gasket (rear wheel bearing retainer or rear axle shaft)	1001	Spacer (rear wheel inner bearing)	1A011
Gear (front axle shaft drive)	1245	Spring (lockout hub)	1A024
		Washer (front hub grease seal retainer)	1191
Housing assy. (lockout hub)	1A026	Washer (front hub outer bearing)	1195
Hub and brake drum ass'y. (front)	1102	Washer (rear wheel bearing nut lock)	1124
Hub ass'y. (front)	1104	Washer (rear wheel grease retainer)	1180
Hub assy. (front spoke wheel)	1014		1247
Hub assy. (rear)	1109	Washer-thrust (free running hub)	1088
Kit (full wheel cover)	1130	Weight (wheel balance)	1040
Kit (front hub grease seal repair)	1196	Wheel & flange	1007
Kit (seal & lock ring-free running hub)	1097	Wheel assy.	1015
		Wiper ass'y. (rear axle shaft)	1174

SECTION 14 - SPARE WHEEL CARRIERS

Bar (spare wheel carrier stop)	1496	Kit (side mounted spare wheel lock)	1386
Bolt (spare wheel carrier hinge)	1471	Lock assy. (side mounted spare wheel)-with keys	1386
Bolt (spare wheel carrier support)	1408	Nut (spare wheel carrier bolt)	1462
Bolt (spare wheel mounting)	1448	Nut (spare wheel carrier hinge bolt)	1476
Bracket (frame to spare wheel carrier)	1453	Plate (spare wheel retaining)	1424
Bracket (spare wheel carrier locating)	1445	Reinforcement (spare wheel carrier)	1407
Bracket (spare wheel carrier support to cross sill)	1415	Reinforcement (spare wheel carrier to floor side sill)	1413
Carrier (spare wheel)	1433	Retainer (side mounted spare wheel)	1474
Channel (spare wheel carrier)	1443-44	Stud (spare wheel carrier)	1458
Clamp (spare wheel)	1446	Support ass'y. (spare wheel carrier)	1405
	1705	Support (spare wheel carrier stop bar)	1497

100% SATISFACTION GUARANTEED

BUY IT NOW!

Click Here To Order

PayPal American Express Discover MasterCard VISA

INDEX

SECTIONS 20, 21, 22, 23, 24, 26 and 28 - BRAKE SYSTEM

PART NAME	GROUP NUMBER	PART NAME	GROUP NUMBER
Actuator assy. (front air brake)	2B002	Bracket (brake booster mounting)	2031-2
Actuator (rear air brake)	2B003	Bracket (brake check valve)	2A772
Adapter assy. (brake vacuum booster push rod)	2B014	Bracket (brake master cylinder)	2280
Adapter (air compressor mounting)	2A880	Bracket (brake reservoir mounting)	2A206
Adapter (brake booster air control valve body)	2326	Bracket (brake vacuum pump)	2A452
Adjuster ass'y. (front air brake)	2308-9	Bracket (carb. air cleaner to compressor hose)	2A888
Adjuster ass'y. (rear air brake)	2314-5	Bracket (front brake air chamber)	2306
Arm ass'y. (air brake pedal)	2452	Bracket (front brake hose)	2082
Arm assy. (parking brake cable idler)	2A673	Bracket (parking brake)	2A687 2795
Baffle (brake grease)	2240	Bracket (parking brake air control valve)	2A730
Baffle (vacuum booster air cleaner)	2A085	Bracket (parking brake cable support)	2649
Band and lining assy. (parking brake)	2648	Bracket (parking brake control mounting)	2836
Bar (parking brake anchor)	2621	Bracket (parking brake support)	2A696
Base assy. (air brake pedal)	2A239	Bracket (parking brake to transmission case)	2654
Bearing assy. (air brake pedal cross shaft)	2A223	Bracket (parking brake tube connector)	2A738
Bearing assy. (vacuum pump rotor shaft)	2B039	Bracket (parking cable)-rear	2530-1
Bearing (air compressor belt idler pulley)	2873	Bracket (parking equalizer)	2631
Bellcrank (parking brake)	2A663	Bracket (rear air brake camshaft)	2310-1
Belt (air compressor)	8620	Bracket (rear air brake relay valve)	2A491
Blade (vacuum pump rotor)	2A560	Bracket (rear brake hose)	2073
Body ass'y. (brake booster)	2366	Bracket (rear wheel parking brake cable to instrument panel)	2A474
Body ass'y. (brake booster control)	2327	Bracket (tractor brake tube support)-tractor trailer equipment	2A314
Body ass'y. (brake vacuum booster) front	2329	Bracket (trailer air hose returning spring)	2959
Body (booster control valve)	2419	Bracket (trailer bracket air hose support)	2533
Body (booster hydraulic cylinder)	2425	Bracket (trailer brake air hose connector mounting)	2954
Bolt (brake inlet, outlet & clutch fitting)	2077	Bracket (trailer brake air hose support)	2953
Bolt (front brake carrier plate to spindle)	2056 2043	Bracket (trailer brake emergency air supply valve)	2948
Bolt (master cylinder link rod to pedal)	2462	Bumper (pedal to floor board)	7583
Bolt (master cyl.outlet fitting to master cylinder)	2276	Bumper (vacuum booster push rod)	2A366
Bolt (parking brake band anchor clip adjusting)	2616	Bushing (brake & clutch master cylinder)	2474
Bolt (parking brake drum to universal joint flange)	2624	Bushing (brake booster)	2372
Bolt (parking brake lever sector to shifter housing)	2799	Bushing (brake shoe anchor pin)	2028 2B087
Bolt (rear brake carrier plate)	2216 2248	Bushing (brake vacuum booster plunger guide)	2A386
Bolt (rear brake cylinder connection to cylinder)	2276	Bushing (front air brake camshaft)	2290
Bolt (vacuum pump mounting)	2B106	Bushing (master cylinder push rod)	2A309
Booster assy. (brake)	2005	Bushing (operating lever)	7526
Boot (air brake pedal to foot control valve)	2A242	Bushing (parking brake band camshaft)	2714
Boot (brake air chamber)	2B021	Bushing (parking brake rear cross shaft)	2346
Boot (brake & clutch master cylinder)	2180	Bushing (pedal)	2461 2471 7526
Boot (brake cylinder)	2206-7	Bushing (pedal bracket)	2470
Boot (parking brake lever)	2A713	Bushing (rear air brake camshaft or carrier plate)	2237
Boot (parking brake valve cable)	2A769	Bushing (vacuum booster push rod)	2385
Brace (air compressor)	2888	Bushing (vacuum pump rotor shaft)	2A569
Brace (parking brake lever support)	2A702	Button (parking brake lever)	2791
Bracket assy. (parking brake cable support)	2A669	Buzzer (low air pressure)	2573
Bracket assy. (parking brake rear cross shaft)	2651	Cable & conduit (parking brake)	2853
Bracket assy. (rear brake shoe anchor)	2A497-8	Cable assy. (parking brake air control valve)	2A768
Bracket (air brake pedal arm bumper)	2448	Cable assy. (parking brake)-rear	2A635
Bracket (air brake pedal to floor)	2467	Cam (parking brake band)	2632
Bracket (air brake quick release valve mounting)-tractor equipment	2A268	Camshaft & lever assy. (parking brake)	2A710
Bracket (air brake quick release valve to frame cross member)	2A279	Camshaft (front air brake)	2230-1
Bracket (air brake tube support)	2A275	Camshaft (rear air brake)	2316-7
Bracket (air compressor belt idler adj. pulley)	2877	Cap (air compressor pulley)	2894
Bracket (air compressor to cylinder block)	2882	Cap (brake & clutch master cylinder filler)	2162
Bracket (air compressor to manifold)	2886	Cap (vacuum pump opening)	2B042
Bracket (air compressor tube)	2A886		
Bracket (brake air chamber support)	2A499		
Bracket (brake air reservoir mounting)-upper	2320		
Bracket (brake and clutch pedal)	2467		



BUY IT NOW!

Click Here To Order



INDEX

SECTIONS 20, 21, 22, 23, 24, 26 and 28 - BRAKE SYSTEM - continued

PART NAME	GROUP NUMBER	PART NAME	GROUP NUMBER
Chamber assy. (front brake)-air	2025	Elbow (brake vacuum booster tube)	2420
Chamber assy. (rear brake)-air	2225	Elbow (brake vacuum booster control valve body)	2328
Clamp & support (brake booster vacuum tank)	2084	Elbow (vacuum pump intake tube)	2B047
Clamp ass'y. (brake vacuum booster breather hose)	2342	End plate assy. (brake booster)	2329
Clamp assy. (power steering return line)	2344	Equalizer (parking brake)-rear	2768
Clamp assy. (transmatic trans. oil overflow hose)	2344	Equalizer (parking cable)	2A602
Clamp (brake vacuum booster hose)	8287	Extension (parking brake cable support)	2A742
	18572		
Clamp (front brake air chamber)	2A593	Field (compressor)-with pilot bushing	2987
Clamp or stud (brake vacuum booster body)	2350	Filler (brake master cylinder piston)	2146
Clamp (rear brake air chamber)	2A470	Filter (brake vacuum booster air cleaner)	2A346
Cleaner ass'y. (brake vacuum booster air)	2363	Fitting (air compressor discharge)	2A877
Clevis (front brake air chamber operating rod)	2099	Fitting (brake & clutch master cylinder outlet)	2076
Clevis (parking brake bellcrank)	2A712	Fitting (vacuum pump oil check valve)	2B046
Clevis (parking brake cable adjusting)	2854	Flange (vacuum pump intake tube)	2B048
Clevis (parking brake lever adjusting)	2484		
Clevis (parking brake lever to cross shaft rod)	2857	Gasket (air compressor mounting surface cover)	2946
Clevis (parking brake rod)	2854	Gasket (air compressor to mounting adaptor)	2895
Clip (brake cable)	2814	Gasket (booster push rod seal retainer)	2B075
Clip (brake hose & pipe)	2814		
Clip (brake pedal spring)	2A189	Gasket (brake air chamber mounting)	2B036
Clip (brake pipe)	2244	Gasket (brake & clutch system)	2151-4
Clip (brake system)	2279	Gasket (brake booster)	2437
Clip (pipe to frame)	14577	Gasket (brake booster hydraulic cylinder)	2493
Clip (rear air brake shoe hold down)	2B028	Gasket (brake booster vac. control valve body cover)	2479
		Gasket (brake master cylinder filler cap)	2167
Collar (brake vacuum booster push rod)	2440	Gasket (brake master cylinder reservoir)	2142
Connection (front brake cylinder inlet)	2080	Gasket (brake system)	2149
Connector & adaptor assy. (compressor air intake)	2991	Gasket (brake vacuum booster)	2373
Connector ass'y. (parking brake lever to cam)	2853	Gasket (brake vac. booster check valve body)	2447
Connector (air supply to stop light switch)	2A292	Gasket (brake vacuum pump mounting)	2A453
Connector (brake pipe)-front	2075	Gasket (rear air brake shoe plunger guide)	2B032
Connector (brake pipe to rear axle housing)	2074		
Coupling assy. (brake hose)	2A384	Gasket (vacuum booster control valve cap assy. to poppet valve body)	2380
Coupling (brake vacuum pump drive)	2A455	Gasket (vacuum pump cover)	2A572
		Gasket (vacuum pump intake elbow)	2B050
Cover assy. (front brake air chamber cylinder)	2A594	Gasket (vacuum pump oil check valve)	2A564
Cover assy. (rear brake air chamber cylinder)	2A469	Gasket (vacuum pump intake tube)	2B049
Cover assv. (vacuum pump)-front	2A557		
Cover assy. (vacuum pump)-rear	2A558	Gauge assy. (air pressure)	2557
Cover (brake adjusting hole)-steel & rubber	2092	Gauge assy. (vacuum)	2A036
Cup (brake & clutch cylinder)	2201-3	Governor assv. (air compressor)	2885
Cup (brake & clutch master cylinder primary)	2173	Grommet (parking brake lever to floor board)	2652
Cover (brake booster vacuum control valve body)	2326	Guard (valve body)	2180
Cup (brake booster vacuum control valve piston)	2399	Guide (air brake shoe actuator plunger)	2B005
Cover (brake cylinder)	2055		
Cup or washer (brake shoe hold down spring)	2066	Handle (parking brake)	2760
Cup (vacuum booster hydraulic cylinder piston)	2408	Hose assy. (air brake foot control valve to manifold fitting)	2353
Cylinder ass'y. (brake)	2061-2	Hose assy. (air brake foot control valve to quick release valve)	2587
	2261-2	Hose assy. (air compressor governor to governor tube)	2989
Cylinder ass'y. (brake master)	2140	Hose ass'y. (air compressor to governor)	2903
Cylinder assy. (front brake air chamber)	2A590	Hose assy. (brake)	2078
Cylinder (brake booster control valve)	2417	Hose assy. (brake tube)	2A245
Cylinder (brake booster hydraulic)	2425	Hose ass'y. (compressor oil inlet & outlet)	2822
Cylinder (rear brake air chamber)	2A463	Hose ass'y. (manifold to vacuum tube)-flexible	2353
		Hose assy. (parking brake emergency air supply)	2A775
Detent (air brake shoe actuator adjusting)	2B008	Hose assy. (rear air brake)-flexible	2A290
Detent (rear brake air chamber adjusting screw)	2B029	Hose assy. (rear brake)	2282
Diaphragm (brake air chamber)	2325	Hose assy. (trailer brake air)	2A138
Diaphragm (brake booster vac. control valve)	2324		
Diaphragm (brake vacuum booster cylinder)	2394	Hose (air compressor tube)-water	2-2917
Diaphragm (vacuum booster body)	2394	Hose (brake booster reservoir tank gauge)	2A037
Diaphragm (vacuum booster control valve)	2391	Hose (brake check valve to intake manifold)	2A046
Disc (brake vacuum booster control valve)	2308		
Drum (parking brake)	2614		
Dust shield (rear brake carrier)	2214-5		



BUY IT NOW!

Click Here To Order



INDEX

SECTIONS 20, 21, 22, 23, 24, 26 and 28 - BRAKE SYSTEM - continued

PART NAME	GROUP NUMBER	PART NAME	GROUP NUMBER
Hose (brake vacuum booster)	2336	Pin (rear air brake shoe retracting spring)	2341
Hose (brake vacuum booster tube) front	2-2334	Pin (rear air brake shoe to cam roller)	2045
Hose (brake vacuum booster tube) rear	2-2336	Pin (rear brake shoe anchor)	2333
Hose (carburetor air cleaner to compressor)	2974	Pin (rear brake shoe retracting spring)	2A547
Hose (hydraulic brake lines connector)	2270	Pin (vacuum pump drive flange)	2A535
Hose (manifold to brake vac. booster check valve)	2-2352	Pipe assy. (check valve to brake vacuum booster)-lower	2362
Housing ass'y. (front air brake camshaft)	2304	Pipe assy. (check valve to brake vacuum booster)-upper	2349
Housing assy. (rear brake air chamber cylinder)	2B034	Pipe (brake booster)	2352
Housing (rear brake air chamber cylinder)	2B035	Piston assy. (brake booster body)	2395
Housing (vacuum pump)	2B044	Piston assy. (brake booster hydraulic cylinder)	2368
Kit (brake booster major repair)	2309	Piston (brake & clutch cylinder)	2196-7
Kit (brake booster minor repair)	2307	Piston (brake & clutch master cylinder)	2169
Kit (brake booster piston packing)	2337	Piston (brake booster control valve)	2396
Kit (brake cylinder repair)	2128	Piston (brake vacuum booster body)	2394
	2221-2	Piston (brake vac. booster hydraulic cylinder)	2446
Kit (brake master cylinder & boot)	2140	Piston (rear brake air chamber)	2B027
Kit (brake master cylinder repair)	2004		2A464
Kit (brake shoe & lining)	2001	Plate assy. (front brake carrier)	2012-3
Kit (brake shoe hold down)	2A094	Plate assy. (rear brake carrier)	2211-2
Kit (brake shoe lining)	2007	Plate assy. (trailer brake air hose adapter cover)	2A340
Kit (brake vacuum booster poppet valve repair)	2433	Plate assy. (vacuum pump rotor seal)	2A537
Kit (brake vacuum pump)	2A473	Plate (booster mounting bracket)	2A476
Kit (camshaft replacement)	2A710	Plate (brake & clutch master cylinder piston stop)	2188
Kit (front air brake adjuster bolt repair)	2090	Plate (brake shoe anchor pin)	2028
Kit (rear air brake adjuster retaining washer)	2130	Plate (brake vacuum booster body piston)-front	2429
Kit (rear shoe & lining)	2200	Plate (brake vacuum booster diaphragm)	2394
Kit (rear wheel parking brake repair)	2A753	Plate (brake vacuum booster piston)	2394
Kit (tube and hose compressor to engine repair)	2912	Plate (parking brake support)	2A636
Knob (parking brake air control valve)	2A736	Plate (vacuum pump oil seal)-front	2A554
		Plate (vacuum pump oil seal)-rear	2A555
Lever assy. (parking brake)	2780-1	Plug (booster control valve)	2A088
Lever (air brake pedal cross shaft)	2496-7	Plug (booster hydraulic cylinder end)	2369
Lever (parking brake camshaft control)	2816	Plug (brake vacuum booster oil)	2A587
Lever (parking brake operating)	2A637-8	Plug (vacuum pump opening)	2B041
Lever (parking brake rear cross shaft)-inner	2816	Plunger (air brake shoe actuator)	2B004
Lever (parking brake rear cross shaft)-outer	2772		
Lever (parking equalizer)	2A605		
Lining (brake shoe)	2021-22	Pulley assy. (parking brake cable)	2804
Lining (parking brake)	2620	Pulley (air compressor)	2884
Lining (rear brake shoe)	2284-5	Pump (brake vacuum)	2A451
Link (parking brake connecting)	2861	Reservoir (brake master cylinder)	2141
Link (parking brake operating lever to primary shoe)	2A642	Retainer (booster air cleaner)	2A346
Link (parking brake shoe retracting spring)	2715	Retainer (brake air booster body piston return spring)	2394
Link (parking brake to transmission)	2630	Retainer (brake booster body piston packing)	2394
Nut (air brake chamber lock)	2B001	Retainer (brake booster push rod seal)	2381
Nut (brake adjusting screw)	2047	Retainer (brake booster push rod vac. seal spring)	2431
Nut (brake air booster body piston packing retainer)	2033	Retainer (brake booster vacuum control valve body cover)	2415
Nut (brake booster control tube)	2133	Retainer (brake booster vacuum control valve piston)-"C" washer	2378
Nut (brake pipe)	2133	Retainer (brake vacuum booster control valve piston diaphragm)	2429
Nut (parking brake equalizer lever)	2091	Retainer (brake vacuum booster control valve piston ring)	2423
Nut (rear brake adjusting bolt)	2223	Retainer (brake vacuum booster fulcrum lever)	2A370
"O" ring (booster control valve piston stop)	2378	Retainer (brake vac. booster hyd. cyl. check valve)	2459
Pad (brake & clutch pedal)-rubber	2454	Retainer (brake vac. booster piston return spring)	2431
Pad (pedal plate)	2457	Retainer (front air brake shoe roller to cam)	2046
Pawl (parking brake lever)	2786	Retainer (parking brake lever boot)	2405
Pedal (air brake)	2454		2A714
Pedal (hydraulic brake)	2455	Retainer (parking brake lever grommet)	2765
Pin (brake pedal clevis)	2489	Retainer (parking brake operating lever pin)	2106
Pin (brake shoe anchor)	2027	Retainer (parking brake valve cable boot)	2A770
Pin (brake shoe hold down spring)	2069		
Pin (parking brake handle locking)	2819		
Pin (parking brake lever)	2859		



BUY IT NOW!

Click Here To Order



INDEX

SECTIONS 20, 21, 22, 23, 24, 26 and 28 - BRAKE SYSTEM - continued

PART NAME	GROUP NUMBER	PART NAME	GROUP NUMBER
Retainer (rear air brake applicator spring)	2A467	Shaft & seal (brake vac. booster center control valve)	2305
Retainer (rear air brake camshaft bracket seal)	2A312	Shaft (air compressor belt idler pulley)	2876
Retainer (rear air brake shoe roller)	2356	Shaft (brake pedal)	2478
Retainer (rear brake air chamber diaphragm return spring)	2A468	Shaft (pedal)	7506
Retainer (vac. booster hydraulic cyl. piston spring)	2423		
		Shield (air compressor governor heat)	2A878
Ring (booster body to control valve transfer bushing)	2-2421	Shield (parking brake drum)	2A703-4
Ring (brake booster end plate)	2373	Shoe and lining assy. (brake)	2018-9
Ring (brake booster hydraulic piston stop)	2409	Shoe and lining assy. (rear brake)	2218
Ring (brake vacuum booster bellows wear)	2B074		
Ring (brake vacuum booster tube to body)	2428	Sleeve (brake vacuum booster)	2B014
Ring (vacuum pump sealing)	2A551	Sleeve (parking brake cable)	2A776
		Sleeve (vacuum pump rotor shaft bearing)	2B040
Rod assy. (brake actuating arm to lever)	2A221	Slinger (front hub oil)	2241
Rod ass'y. (brake master cylinder push)	2143		
Rod assy. (brake treadle cross shaft lever)	2A220	Snap ring (brake air booster push rod)	2332
Rod assy. (parking brake control)	2824	Snap ring (brake & clutch master cylinder piston)	2174
Rod assy. (parking brake lever to cam)	2A668		
Rod assy. (parking brake rear cross shaft lever)	2864	Socket (brake adjusting screw)	2048
Rod (brake)	2462	Spacer (air brake camshaft adjuster)	2138
Rod (brake vacuum booster push)	2377	Spacer (air compressor mounting bracket)	2887
Rod (front brake air chamber piston)	2A591	Spacer (brake manifold air fitting)	2A308
Rod (parking brake band adjusting)	2642	Spacer (brake vacuum booster air cleaner mounting)	2A534
Rod (parking brake equalizer)	2628	Spacer (parking brake adjusting rod release spring)	2637
Rod (parking brake lever to cam)-universal	2826	Spacer (parking brake lever or shaft)	2849
Rod (parking brake lever to rear cross shaft lever)	2853	Spacer (rear brake cylinder cup)	2227
Rod (parking brake rod replacement chart)	2853	Spacer (vacuum booster control valve spring to disc)	2390
Rod (rear brake air chamber piston)	2A465		
Rod (rear brake cylinder to brake shoe push)	2129	Spider (rear air brake carrier)	2211-3
Roller (air brake pedal)	2474	Spring & ret. (brake & clutch master cyl. piston)	2145
Roller (rear air brake shoe anchor pin)	2359	Spring (air brake actuating pedal arm)-retracting	2A241
		Spring (booster vacuum control valve)	2438
Rotor assy. (vacuum pump)	2A766		
		Spring (brake adjusting screw)	2049
Screw (air brake shoe actuator guide retaining)	2B007	Spring (brake air chamber diaphragm return)	2321
Screw (bleeder)	2208	Spring (brake booster)	2361
Screw (brake adjusting)	2041		2418
	2046	Spring (brake booster control valve diaphragm return)	2392
Screw (vacuum pump rear cover)	2B054	Spring (brake cylinder piston return)	2204-5
		Spring (brake shoe hold down)	2068
Seal assy. (air brake shoe actuator)	2B009	Spring (brake shoe retainer)	2125
Seal assy. (brake pedal rod)	2A258	Spring (brake shoe retracting)	2035-6
Seal assy. (rear air brake spider camshaft)	2B038		2296-7
Seal assy. (vacuum pump rotor shaft)	2A553	Spring (brake vacuum booster check valve)	2439
		Spring (brake vacuum booster push rod seal retainer)	2375
Seal (air brake camshaft bracket)	2330	Spring (diaphragm return)	2A157
Seal (booster push rod bushing)	2373		
Seal (booster vacuum control valve piston)	2399	Spring (parking brake adjusting)	2749
Seal (brake and clutch pedal)	2476	Spring (parking brake adjusting rod release)	2634
Seal (brake booster vacuum push rod)	2384	Spring (parking brake band support)	2640
Seal (brake vacuum booster check valve)	2B073	Spring (parking brake compression)	2635
Seal (brake vac. booster front body to end plate bolt)	2387	Spring (parking brake lever)	2793
Seal (brake vacuum pump intake tube elbow to flange)	2A457	Spring (parking brake lever pawl)	2788
Seal (brake vacuum pump oil inlet)	2A454	Spring (parking brake lever return)	2A651
		Spring (parking link)	2A601
Seal (parking brake cable)	2A713		
Seal (rear air brake camshaft bracket)	2A311	Spring (pedal retracting)	2472
Seal (rear brake air chamber)	2B028	Spring (rear air brake applicator)	2A466
		Spring (trailer brake air hose retaining)	2955
Seat (front air brake shoe to cam)	2023	Spring (vacuum pump rotor seal plate)	2A552
Sector (parking brake lever)	2790		
	2795-6	Stem ass'y. (brake booster air con. valve diaphragm)	2323



BUY IT NOW!

Click Here To Order



INDEX

SECTIONS 20, 21, 22, 23, 24, 26 and 28 - BRAKE SYSTEM - continued

PART NAME	GROUP NUMBER	PART NAME	GROUP NUMBER
Stop (brake booster slave cylinder piston)	2A265	Tube (air brake relay valve to tee)	2269
Stop (brake vacuum booster control valve piston)	2312	Tube (air brake relay valve to tee)	2A027
		Tube (air brake release valve to fitting)	2050
Strap assy. (brake air reservoir)	2A271	Tube (air brake stop light switch)	2A286
Strap (front brake shoe anchor pin)	2028	Tube (air brake tee to front hose connector)-L.H.	2915
		Tube (air brake tee to front hose connector)-R.H.	2914
Stud (brake carrier plate to air chamber)	2043		
Stud (brake vacuum booster body)	2350	Tube (air compressor governor to dash tee)	2A294
Stud (parking brake link)	2837	Tube (air compressor to reservoir)-at engine	2917
Stud (rear air brake dust shield spacer)	2224	Tube (air compressor to reservoir)-intermediate	2917
Stud (vacuum pump cover)	2B051	Tube (air compressor to union)	2917
		Tube (air compressor to water pump)	2894
Support assy. (tractor brake air hose)	2A313		
Support (compressor bracket)	2902	Tube (air hand control valve to two way check valve)-tractor equipment	2-2498
	2907		
Support (compressor mounting bracket)	2A881		
Support (parking brake cable)	2A664	Tube (air reservoir connecting)	2571 2A135 2918
Support (parking brake lever)	2A707		
Support (parking brake lever sector)	2797	Tube (air reservoir to booster)-tank end	2589
Support (Tractor Trailer brake air hose bracket)	2A410	Tube (air reservoir to brake booster)	2-2907
Switch (low air pressure)	2A574	Tube (air reservoir to relay valve)	2A026
		Tube (air reservoir to tee)	2A146
Tank assy. (air reservoir)	2063	Tube (air reservoir to union)	2904
Tube ass'y. (air compressor oil inlet)	2908		
Tube assy. (air compressor to governor)	2903	Tube (brake air booster to dash tee)	2570
Tube ass'y. (brake & fuel line)-steel	2265	Tube (brake air chamber connecting)	2A495-6
Tube assy. (brake booster inlet)-2nd section	2A031	Tube (brake air control valve to limit & quick release valve)-lower	2A216
Tube assy. (brake tee to rear axle hose)	2A284	Tube (brake air control valve to limit & quick release valve)-upper	2A215
Tube assy. (brake vacuum booster)	2420	Tube (brake air foot control valve to dash tee)	2A276
Tube assy. (brake vacuum booster outlet)	2234	Tube (brake air foot control valve to front tee)	2A274
Tube assy. (forward rear right wheel brake)	2A217	Tube (brake air foot control valve to manifold fitting)	2A285
Tube assy. (front brake cylinder connection)	2A335	Tube (brake air foot control valve to two-way check valve)-tractor trailer equipment	2A273
Tube assy. (front brake hose to cylinder)	2A361-2		
Tube assy. (frt. brake hose to tee)	2A156	Tube (brake air hand control valve exhaust)	2-2496
Tube assy. (intake manifold to check valve)	2269	Tube (brake air hand control valve exhaust)-tractor trailer	2A121
Tube assy. (left hand brake)-forward rear axle	2A218	Tube (brake air hand control valve to foot control valve)-tractor trailer equipment	2A307
Tube assy. (master cyl. to front brake connector)	2-2264	Tube (brake air hand control valve to manifold)-tractor equipment	2-2499
Tube assy. (master cylinder to rear brake hose)	2A272	Tube (brake air hand control valve to manifold)-tractor trailer equipment	2A050
Tube assy. (master cylinder to rear brake tube connector)	2-2271	Tube (brake air hand control valve to tee)	2-2542
Tube assy. (rear brake cylinder connection)	2286	Tube (brake air hand control valve to two-way check valve)-tractor trailer equipment	2A148
Tube assy. (tee to forward rear axle brake hose)	2-2239	Tube (brake air relay to forward rear axle brake tube)	2586
	2A283	Tube (brake air relay valve to rear brake tube connector)	2A289
Tube ass'y. (tee to rear brake hose)	2-2277	Tube (brake air reservoir to elbow)	2A109
Tube ass'y. (tee to rear rear axle brake hose)	2-2240	Tube (brake air reservoir to tee)	2A126
Tube assy. (vacuum gauge)	2A253	Tube (brake air reservoir to transmission air tee)	2A060
Tube assy. (vacuum pump to brake check valve)	2A486	Tube (brake air straight)	2A540-3
Tube (air brake foot control valve to dash tee)	2919		
Tube (air brake foot control valve to manifold fitting)	2A014	Tube (brake booster connecting)	2B052
Tube (air brake foot control valve to parking brake check valve)	2A084	Tube (brake booster reservoir to booster)	2A028
Tube (air brake foot control valve to rear tee)-2nd section	2540	Tube (brake booster to tee)	2A140 2585
Tube (air brake foot control valve to rear tee or union)-1st section	2916	Tube (brake check valve to trailer shut-off valve)	2B226
Tube (air brake foot con. valve to rear tee)-2nd section	2923	Tube (brake foot control valve to tee)	2B229
Tube (air brake foot control valve to rear tee)-2nd section	2540	Tube (brake foot control valve to trailer brake air shut off valve)	2A483
Tube (air brake foot control valve to trans. air tee)	2-2937		
Tube (air brake hand control valve to check valve)	2581		
Tube (air brake manifold to pressure gauge)	2930		
Tube (air brake quick release valve to union)	2A059 2-2912		



BUY IT NOW!

Click Here To Order



INDEX

SECTIONS 20, 21, 22, 23, 24, 26 and 28 - BRAKE SYSTEM - continued

PART NAME	GROUP NUMBER	PART NAME	GROUP NUMBER
Tube (brake hand control valve)	2B067	Tube (reservoir to trailer brake air protector valve)	2592
Tube (brake manifold fitting to check valve)	2B234	Tube (reservoir to trailer brake air protector valve)	2-2942
Tube (brake manifold to control valve)	2B233		
Tube (brake manifold to front brake limiting valve)	2B235	Tube (tee to manifold fitting)-air brake	2A078
Tube (brake manifold to trailer shut-off valve)	2B228	Tube (tee to trailer brake air protector valve)	2A198
Tube (brake manifold to union)	2A141		2-2540
Tube (brake pressure reactivator to trailer shut-off)	2B232	Tube (trailer brake check valve to air shut off valve)	2A480
Tube (brake reservoir union to tee)	2A278	Tube (trailer brake emergency air supply valve to union)	2A147
Tube (brake shut-off to reactivator valve)	2B227	Tube (trailer brake emergency valve to reactivator valve)	2B236
		Tube (trailer emergency air supply valve to manifold)	2539
Tube (brake vacuum booster control valve to center control valve)	2-2333	Tube (trailer emergency air supply valve to union)	2-2541
Tube (brake vacuum booster control valve to hydraulic cylinder)	2-2337		
Tube (brake vacuum booster reserve tank to tee)	2348	Tube (two way check valve to trailer air protector valve)	2-2538
Tube (brake vacuum booster tee to front wheel tee)	2A143		
Tube (brake vacuum pump to check valve)	2A152	Tube (union to reservoir)	2-2202
Tube (brake vacuum straight)	2A546	Tube (union to trailer brake air protector valve)	2538
Tube (check valve to trailer brake air protector valve)	2576	Tubing (copper)	2269
Tube (clutch master cyl. to slave cyl.)	2-2443	Tubing (steel)-brake & fuel lines	2269
Tube (compressor governor to brake air foot control valve)	2A287-8	"U" Bolt (brake air reservoir to mounting bracket)	2300
Tube (dash tee or foot control valve to air compressor governor)	2913		
		Valve & push rod (air brake foot control)	2A456
Tube (engine to air compressor)-water	2910	Valve and stop lamp switch assy. (brake control)	2575
Tube (engine to compressor water)-engine end	2977		
		Valve assy. (brake air foot control)	2A270
Tube (flexible hose to manifold)	2-2338		2886
Tube (forward rear left wheel air brake)	2-2266	Valve assy. (brake air hand control)	2949
Tube (forward rear right wheel air brake)	2-2265	Valve assy. (brake air limiting control)	2A208
Tube (front brake air limiting control valve to foot control valve)	2A210	Valve assy. (brake booster control)	2A238
Tube (intake manifold to check valve)	2569	Valve assy. (brake booster vac. check)	2365
		Valve assy. (brake master cylinder)	2178
Tube (manifold fitting to air compressor governor)	2976		
	2A116	Valve assy. (tractor brake air protector)	2951
Tube (master cylinder to rear tube connector)	2-2271	Valve assy. (trailer brake emergency air supply)	2A224
	2A199	Valve assy. (two way check)-tractor equipment	2575
Tube (parking brake air chamber connecting)	2A755-6	Valve assy. (vacuum pump oil check)	2A563
Tube (parking brake control valve to foot control valve)	2A726		
Tube (parking brake control valve to reactivator valve)	2A810	Valve (air brake quick release)	2A095
Tube (parking brake control valve to release valve)	2A727	Valve (air reservoir safety)	2A550
Tube (parking brake rear wheel)-L. H.	2A729	Valve (rear wheel parking brake air control)-in cab	2A622
Tube (parking brake rear wheel)-R. H.	2A728	Valve (rear wheel parking brake release)	2A744
Tube (rear rear left wheel air brake)	2268	Washer (brake air booster control valve diaphragm)	2372
Tube (rear rear right wheel air brake)	2267	Washer (brake shoe anchor pin)	2029
Tube (rear wheel parking brake control valve to foot control valve)	2A726	Washer (brake shoe hold down spring)	2066
Tube (rear wheel parking brake control valve to foot control valve supply)	2A725	Washer (brake vacuum booster piston stop)	2B023
		Washer (brake vac. booster push rod seal retainer)	2385
Tube (relay valve to rear wheel brake tube conn.)	2-2269	Washer (front air brake camshaft thrust)	2236
Tube (reservoir to air brake foot control valve)	2920	Washer (front air brake shoe actuator lock)	2B010
Tube (reservoir to relay valve)	2-2911	Washer (front brake shoe retaining pin)	2053
		Washer (front brake shoe retainer pin)-"C"	2087
		Washer (rear air brake adjuster retaining)	2130
		Washer (rear air brake camshaft)	2235
		Wedge assy. (front air brake actuating)	2B000
		Wedge assy. (rear air brake actuating)	2B024
		Wire assy. (vacuum gauge)	2A204

100% SATISFACTION GUARANTEED

BUY IT NOW!

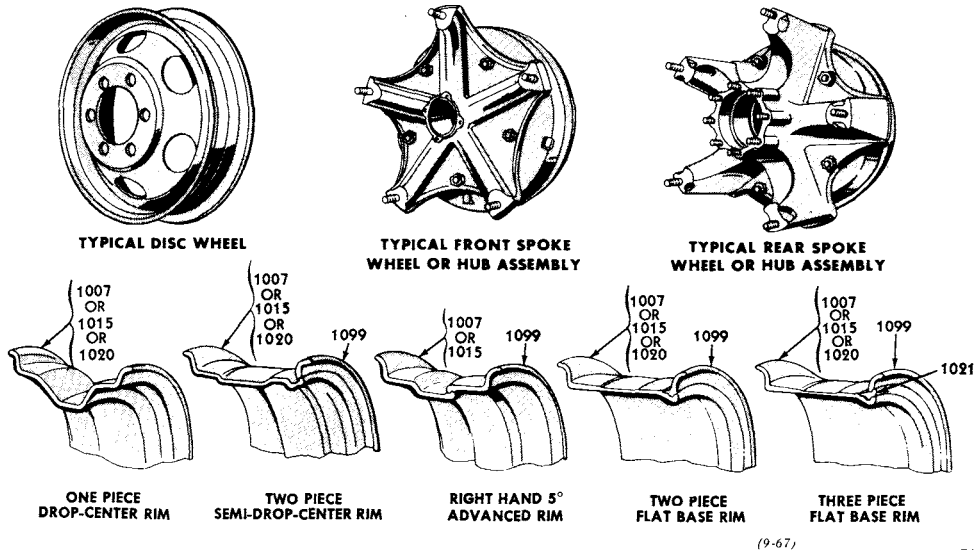
Click Here To Order

PayPal American Express Discover MasterCard VISA

HOW to IDENTIFY WHEELS, RIMS, FLANGES and LOCK RINGS

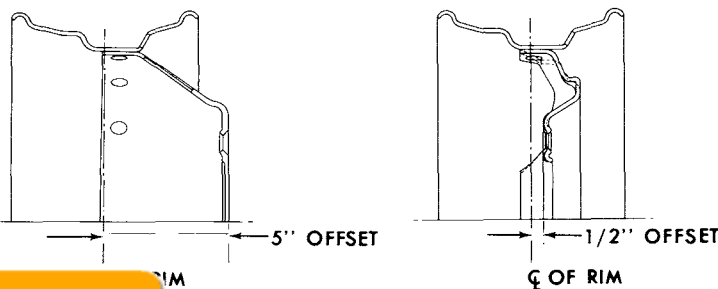
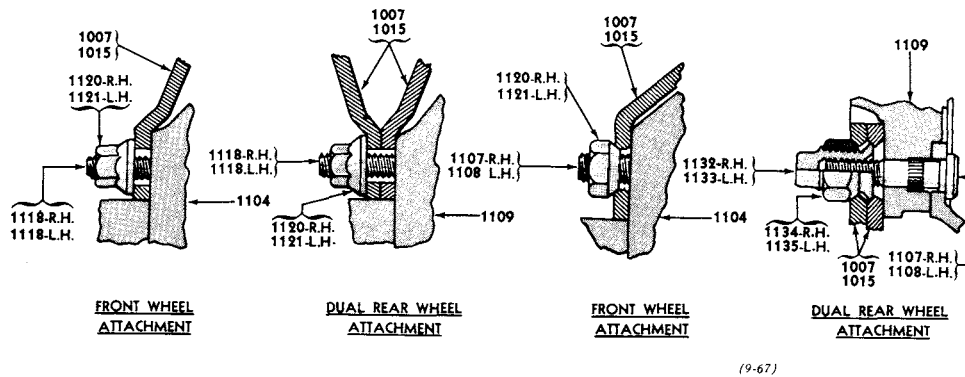
1. Many wheels and rims may be identified by a stamping number. When the stamping number is known, refer to the Guide on Page 9 for the appropriate service part number.
2. When the stamping number is not known, wheels and rims and their related flanges and lock rings may be identified as follows:
 - (a) Determine the type of wheel or rim from the illustration below.
 - (b) Determine the size of the wheel or rim. If this is not known, check the tire size and refer to the Tire Size to Wheel or Rim Size Chart on page 10 of this section. This chart also lists the various truck series on which the tires and their related wheels or rims are used.
 - (c) When the size of the wheel or rim is known, refer to the Wheel, Rim, Flange and Lock Ring Chart (pages 11 and 12).

TYPICAL WHEELS, RIMS AND RELATED ITEMS



PILOT MOUNTED DISC WHEELS

BALL SEAT MOUNTED DISC WHEELS



P-7585

100% SATISFACTION GUARANTEED

BUY IT NOW!

Click Here To Order

PayPal, American Express, Discover, MasterCard, VISA

FORD TRUCK PARTS

SECTION 10

YEAR	MODEL	DESCRIPTION	QTY.	PART NUMBER
1001 GASKET - REAR WHEEL BEARING RETAINER or REAR AXLE SHAFT				
61/	E100	Rear brake carrier plate-2 7/8" I.D.-4 holes	2	C1AZ 1001-A
61/	F-P100	Rear wheel-3 7/32" I. D. -5 holes	4	C5AZ 1001-A
61/	F-P100, E200	Rear brake backing plate-3 7/32" I. D. -4 holes	2	C6AZ 1001-A
61/	F250 (4 x 4)	Front wheel-3500 lb. Dana front axle - 6 bolt holes 3 3/4" circle-Also refer to Parts List Section 40A	2	C1TZ 1001-A
57/	B-F-N-P500, C500/550	Rear axle shaft-4" I.D.-5.53" O.D.-1M, 13M axles	2	A8TZ 1001-A
57/	F250/350, P350/400, E300	Rear axle shaft-3.35" I. D. -4.70" O. D.	2	A8TZ 1001-B
57/	T700	Rear axle shaft-4 1/2" I.D.-5 7/8" O.D.	8	B4TZ 1001-A
57/	B-C-F-N600/700		4	
57/	F350, P400	Rear axle shaft-8 holes-3.51" I. D. -4.89" O. D. -4.12" bolt circle	2	B5TZ 1001-A
57/	P350 (H/D rear axle)		2	
57/	B-C-F700/750, N600/750	Rear axle shaft-8 holes-4.5" I.D.-6.19" O.D.	4	A8TZ 1001-C
57/	T750		8	
58/	T700 (H/D axle)		8	
60/	B-C-F600 (16M rear axle)		4	
61/	HT850/950, (HT850/950-Diesel exc.138" W/B)		8	
61/	CT-T800/850, NT850		8	
61/	F800		4	
62/	CT750		8	
57/	C-F-N800/850	Rear axle shaft-12 holes-4.5" I.D.-6.12" O.D.-5 1/4" bolt circle	2	A8TZ 1001-D
57/	CT-T800/850, NT850		4	
60/	B-C-F-N700/750	18M axle	2	
61/	HT850/950, (HT850/950 -Diesel exc.138" W/B)		4	
57/	C-F900/1000, N850/1000	Rear axle shaft-5 5/8" I.D.-8 1/2" O.D.	2	B3TZ 1001-A
58/	CT-T-NT950		4	
58/59	C-F1100		2	
60/	C-F800/850		2	
61/62	H950/1000, HT850/950, (HT850/950-Diesel, except 138" W/B)		2or4	
63/	HT950, NT850, H1000		2or4	
58/	C-F1100 (H/D rear axle & extra H/D rear springs)	Rear axle shaft-8 holes-6" I.D.-8.38" O.D.-7" bolt circle	2	ΔB8TZ 1001-A
60/	C-F-N1100		2	
60	C-F1000 (H/D rear axle & E/H/D rear springs)		2	
63/	T950 (except 158" W/B)		2	

1007

WHEEL or RIM IDENTIFICATION CHART

(See instructions for identifying wheels, rims, etc., on page 8 of this section.)

IDENTIFICATION	PART NUMBER	IDENTIFICATION	PART NUMBER
E 5487-C	C1TT 1007-C	DX 45522	C3TZ 1007-E
E 5780-A	C1TT 1007-D	DX 45524	C3TZ 1007-F
25372-11	B7T 1015-B	49280	B9T 1007-A
25375	B4Q 1007-A	49380	7RY 1007
25376	B4T 1007-A	59350	8TH 1007-A
RA 25438-5	B5QH 1007-C	65340	★C3TZ 1007-H R/B C3TZ 1007-L
25440	C4TZ 1007-F	65340-D	C3TZ 1007-L
25441	C4TZ 1007-F	68410	B4T 1007-A
RA 25441-9	C4TZ 1007-F	68500	B4Q 1007-A
25442-5	B6QH 1015-B	68600-1	B5Y 1007-B
25461-7	B6T 1015-D	70610	C1TT 1015-A
RA 25495-3	B6QH 1015-C	70740	B6Y 1015-B
RA 25668	B9T 1007-A	71340	B6QH 1015-B
25740	C4TZ 1007-F	71410	B6D 1015-B
RA 26015-4	C4TZ 1007-G	72050	B6J 1015-B
26027	C4TZ 1007-G	73230	B8Y 1015-A
RH 26487	C3TZ 1007-E	73240	B8D 1015-A
RA 26493	C3TZ 1015-A	73460-F	B7T 1015-B
RA 26494	C3TZ 1015-B	75900	B8QH 1007-B
26551	C4TZ 1007-A	75900-1	B9T 1007-A
26723	B6QH 1015-B	78510-1	C1TT 1007-A
31031	B9TZ 1015-A	79850	C3TZ 1015-B
34706	8TH 1007-A	79860	C3TZ 1007-F

eed axles

100% SATISFACTION GUARANTEED

BUY IT NOW!

Click Here To Order

PayPal American Express Discover MasterCard VISA

1007 - continued

WHEEL or RIM IDENTIFICATION CHART

(See instructions for identifying wheels, rims, etc., on page 8 of this section.)

IDENTIFICATION	PART NUMBER	IDENTIFICATION	PART NUMBER
79870	C3TZ 1007-E	86770	C4TZ 1007-N
79980	C4TZ 1007-F	90200	C4TZ 1007-F
79980-14	★ C3TZ 1007-B R/B C4TZ 1007-F	90210	C4TZ 1007-F
80060	C4TZ 1007-G	90240	C4TZ 1007-G
80650	C3TZ 1015-A	90270	C4TZ 1007-G
86120	C4TZ 1007-F	90340	C4TZ 1007-A
86220	C4TZ 1007-G	F 200005-22575	C1TT 1015-D

TIRE SIZE to WHEEL or RIM SIZE CHART

(See instructions for identifying wheels, rims, etc., on page 8 of this section.)

TIRE SIZE	WHEEL or RIM SIZE	MODEL	TIRE SIZE	WHEEL or RIM SIZE	MODEL
G78 x 15	15 x 5.5	F100	9.00 x 22.5	22.5 x 6	B-C-F-N500/700, T700
6.00 x 16	16 x 4.25	F100	9.00 x 22.5	22.5 x 6.75	B-C-F-N600/750, NT850, CT-T700/850
6.00 x 16	16 x 5	F100	9.50 x 16.5	16.5 x 6.75	F250/350, P350/400
6.50 x 13	13 x 4.5	E100	10.00 x 20	20 x 7	B-C-F-N700/1100
6.50 x 13	13 x 5.5	E100			CT-T750/950, H1000, HT850/950, NT850/950
6.50 x 16	16 x 4.25	F100	10.00 x 20	20 x 7.5	B-C-F-N700/1100, CT-T750/950, H1000, HT850/950, NT850/950
6.50 x 16	16 x 5	F-P100, F250	10.00 x 22	22 x 7.5	C-F-N850/1100, CT-T800/950, H1000, HT850/950, NT850/950
6.50 x 16	16 x 6	F250	10.00 x 22.5	22.5 x 6.75	B-C-F-N600/850, NT850, CT-T700/850
6.50 x 20	20 x 5	F-B-P500, C550	10.00 x 22.5	22.5 x 7.5	B-C-F-N700/850, NT850, CT-T700/850
6.70 x 15	15 x 5	F-P100	11.00 x 20	20 x 7.5	C-F-N800/1100, CT-T800/950, H1000, HT850/950, NT850/950
6.70 x 15	15 x 5.5	F-P100	11.00 x 20	20 x 8	C-F-N850/1100, CT-T850/950, H1000, HT850/950, NT850/950, T800/950
6.95 x 14	14 x 5.5	E100	11.00 x 22	22 x 7.5	C-F-N850/1100, CT-T950, H1000, HT850/950, NT950
7.00 x 13	13 x 5.5	E100	11.00 x 22	22 x 8	C-F1100
7.00 x 14	14 x 5.5	E100	11.00 x 22.5	22.5 x 6.75	B-C-F-N750/850, NT850, CT-T750/850
7.00 x 15	15 x 5.5	F-P100	11.00 x 22.5	22.5 x 7.5	B-C-F-N750/1100, HT850/950, H1000, NT850/950, CT-T750/950
7.00 x 16	16 x 6	F250	11.00 x 22.5	22.5 x 8.25	C-F-N800/1100, HT850/950, H1000, NT850/950, CT-T800/950
7.00 x 16	16 x 5.5	F250/350	11.00 x 24.5	24.5 x 7.5	F900/1100, C1000/1100
7.00 x 17	17 x 5.5	F250	11.00 x 24.5	24.5 x 8.25	C-F950/1100, T950
7.00 x 17.5	17.5 x 5.25	F100/350, P350/400	12.00 x 20	20 x 8	C-F-N800/1100, CT-T950, H1000, HT850/950, NT950
7.00 x 18	18 x 5	P500	12.00 x 22.5	22.5 x 8.25	C-F-N800/1100, HT850/950, H1000, NT850/950, CT-T800/950
7.00 x 20	20 x 5	B-F-N500, C550	12.00 x 24.5	24.5 x 8.25	C-F950/1100, T950
7.00 x 20	20 x 6	B-C-F500	15.00 x 19.5	19.5 x 11.75	B-C-F-N750/850, NT850, CT-T750/850
7.00 x 22.5	22.5 x 5.25	B-F-N500, C550	15.00 x 19.5	19.5 x 12.25	C-F800/850, N-NT850, CT-T750/850
7.10 x 15	15 x 5	F100	15.00 x 22.5	22.5 x 11.75	C-F-N950/1100, CT-T800/950, H1000, HT850/950, NT850/950
7.10 x 15	15 x 5.5	F-P100	15.00 x 22.5	22.5 x 12.25	CT-T800/900
7.35 x 14	14 x 5.5	E100	16.00 x 19.5	19.5 x 13	B-C-F-N750, T750
7.50 x 13	13 x 4.5	E100	16.50 x 19.50	19.50 x 12.25	C-F800/850, N-NT850, CT-T750/850
7.50 x 14	14 x 5	E100	16.50 x 19.5	19.5 x 13	C-F-N750/1100, HT850/950, H1000, NT850/950, T800/950, CT750/950
7.50 x 16	16 x 5.5	F250/350, P350/400	18.00 x 19.5	19.5 x 14	B-C-F-N750/1100, HT850/950, H1000, NT850/950, CT-T750/950
7.50 x 16	16 x 6	F250			
7.50 x 17	17 x 5.5	F250/350, P350/400			
7.50 x 20	20 x 6	B-C-F-N500/700, T700			
7.75 x 15	15 x 5.5	F-P100			
8.00 x 14	14 x 5.5	E100			
8.00 x 16.5	16.5 x 6	F250/350, P350/400			
8.00 x 17.5	17.5 x 5.25	F250/350, P350/400			
8.00 x 19.5	19.5 x 5.25	F250/350, P350/500			
8.00 x 19.5	19.5 x 6	P500			
8.00 x 22.5	22.5 x 5.25	B-F-N500, C550			
8.00 x 22.5	22.5 x 6	B-C-F-N-P500/700, T700			
8.25 x 15	15 x 5.5	F100			
8.15 x 15	15 x 5.5	F-P100			
8.25 x 20	20 x 6	B-C-F-N500/700, T700			
8.25 x 20	20 x 6.5	B-C-F-N500/850, CT-T700/850, NT850			
8.75 x 16.5	16.5 x 6.75	F250/350, P350/400			
9.00 x 20	20 x 6.5	B-C-F-N600/850, CT-T700/800			
9.00 x 20	20 x 7	B-C-F-N600/850, CT-T700/850, NT850			



BUY IT NOW!

Click Here To Order



1007 - continued

WHEEL, RIM, FLANGE and LOCK RING CHART

(See instructions for identifying wheels, rims, etc., on page 8 of this section.)

YEAR	WHEEL OR RIM SIZE	TYPE	HOLES	BOLT CIRCLE (INCHES)	VENDOR CODE	P A R T N U M B E R		
						W H E E L O R R I M	S I D E R I N G O R F L A N G E	L O C K R I N G
DISC WHEELS AND RINGS FOR TUBE TYPE TIRES								
57/	15 x 5.5	S. D. C.	5	5.50		TAAA 1007-B	7RC 1099	
57/62	16 x 4.25	D. C.	5	5.50		8C 1015		
57/	16 x 5	D. C.	5	5.50		B4TZ 1007-A		Internal hub cap fastening
57/	16 x 5.5	S. D. C.	6	7.25		C3TZ 1007-L	8J 1099	
57/	16 x 5.5	S. D. C.	8	6.50	B	*B7TZ 1007-A	8J 1099	
57/	16 x 6	D. C.	8	6.50	K	B9TZ 1015-A		
57/	17 x 5.5	2 PC.	6	7.25		B5Y 1007-B	7RY 1099	
57/	17 x 5.5	2 PC.	8	6.50		7RY 1007	7RY 1099	
57/	18 x 5	2 PC.	5	8.00		7RTL 1007	7RTL 1099	
57/	20 x 5	2 PC.	5	8.00		7RT 1007-A	7RT 1099-A	
57/	20 x 6	2 PC.	5	8.00		8TH 1007-A	7RT 1099-B	
57/62	20 x 6	RH 50▲	6	8.75		B4Q 1007-A	7RT 1099-B	
63/	20 x 6	RH 50Δ	6	8.75		C3TZ 1007-E	7RT 1099-B	
57/62	20 x 6.5	RH 50▲	6	8.75		B4T 1007-A	7EQ 1099-B	
63/	20 x 6.5	RH 50Δ	6	8.75		C3TZ 1007-F	7EQ 1099-B	
63/	20 x 6.5	2 PC Δ	6	8.75	F	C4TZ 1007-N	C4TZ 1099-L	
63/	20 x 6.5	2 PC, Δ	6	8.75	B	C4TZ 1007-N	C4TZ 1099-H	
63	20 x 6.5	3 PC.	6	8.75		NOTE 1	8Q 1099	8Q 1021
57/63	20 x 6.5	2 PC.	8	10.00		7EQ 1007-B	7EQ 1099-B	
57/63	20 x 6.5	3 PC.	10	11.25		C1TT 1007-A	8Q 1099	8Q 1021
63/	20 x 7	2 PC, Δ	6	8.75	F	C4TZ 1007-A	C4TZ 1099-L	
63/	20 x 7	2 PC, Δ	6	8.75	B	C4TZ 1007-A	C4TZ 1099-H	
63	20 x 7	3 PC.	6	8.75		NOTE 1	7EQH 1099	7EQH 1021-B
57/62	20 x 7	3 PC.	8	10.00		B5QH 1007-B	7EQH 1099	7EQH 1021-B
57/63	20 x 7	3 PC.	10	11.25		B5QH 1007-C	7EQH 1099	7EQH 1021-B
63/	20 x 7.5	2 PC.	10	11.25	F	C4TZ 1007-F	C4TZ 1099-A	
63/	20 x 7.5	2 PC.	10	11.25	B	C4TZ 1007-F	C4TZ 1099-J	
57/63	20 x 7.5	3 PC.	10	11.25		B8QH 1007-B	8QH 1099	7EQH 1021-B
63	20 x 7.5 &	3 PC.	10	11.25		*C3TZ 1007-B R/B C4TZ 1007-F	C3TZ 1099-B	C3TZ 1021-B
57/	20 x 8	3 PC.	10	11.25		B9T 1007-A	B9T 1099-A	7EQH 1021-B
61/	20 x 8 *	3 PC.	10	11.25	F	*C1TT 1007-D	B9T 1099-A	7EQH 1021-B
63/	22 x 7.5	2 PC.	10	11.25	F	C4TZ 1007-G	C4TZ 1099-B	
63/	22 x 7.5	2 PC.	10	11.25	B	C4TZ 1007-G	C4TZ 1099-K	
57/63	22 x 7.5	3 PC.	10	11.25		B8QH 1007-A	TUAA 1099-A	TUAA 1021-A
61/	22 x 7.5 *	3 PC.	10	11.25	F	*C1TT 1007-C	TUAA 1099-A	TUAA 1021-A
63	22 x 7.5	3 PC.	10	11.25		*C3TZ 1007-A R/B C4TZ 1007-G	C3TZ 1099-A	C3TZ 1021-A
59/62	22 x 8	3 PC.	10	11.25		*C1TT 1007-B	TUAA 1099-A	TUAA 1021-A

F Firestone B Budd K Kelsey Hayes & Hi Tensile * Aluminum Δ Pilot mounted ▲ Ball seat mounted
 † .50 Offset

NOTE 1 - Only two piece wheels are available for service. Flanges and lock rings are available separately for both two and three piece wheels and rims.



BUY IT NOW!

Click Here To Order



1007 - continued

WHEEL, RIM, FLANGE and LOCK RING CHART - continued

(See instructions for identifying wheels, rims, etc., on page 8 of this section.)

YEAR	WHEEL OR RIM SIZE	TYPE	HOLES	BOLT CIRCLE (INCHES)	WHEEL OR RIM PART NUMBER	REMARKS
DISC WHEELS AND RINGS FOR TUBELESS TYPE TIRES						
61/62	13 x 4.5		5	4.50	C1UU 1007-A	
61/	13 x 5.5		5	4.50	C3UZ 1007-B	
61/62	14 x 5		5	4.50	B7A 1015-A	
61/	14 x 5.5		5	4.50	B8A 1015-A	Except Super Van
57/62	15 x 5	D.C.	5	5.50	B5C 1015-A	
63/	15 x 5.5	D.C.	5	5.50	C5TZ 1007-D	H/D on F-P100 Internal hub cap fastening
57/62	16 x 4.25	D.C.	5	5.50	8C 1015	
57/	16 x 5	D.C.	5	5.50	B4TZ 1007-A	Internal hub cap fastening
57/	16 x 6	D.C.	8	6.50	B9TZ 1015-A	
57/	17.5 x 5.25	D.C.	5	5.50	B6C 1015-A	
57/	17.5 x 5.25	D.C.	6	7.25	B6TZ 1015-A	Dual Rears
57/	17.5 x 5.25	D.C.	6	7.25	B8Y 1015-A	Single Rears
57/	17.5 x 5.25	D.C.	8	6.50	B8D 1015-A	Single Rears
57/	19.5 x 5.25	D.C.	8	6.50	B6D 1015-B	
57/	19.5 x 5.25	D.C.	6	7.25	B6Y 1015-B	
57/	19.5 x 5.25	D.C.	5	8.00	B6J 1015-A	
57/	19.5 x 6	D.C.	5	8.00	B6J 1015-B	
57/	22.5 x 5.25	D.C.	5	8.00	B6T 1015-B	
57/	22.5 x 6	D.C.	5	8.00	B7T 1015-A	
57/62	22.5 x 6	D.C. Δ	6	8.75	B7T 1015-B	
63/	22.5 x 6	D.C. Δ	6	8.75	C3TZ 1015-B	
57/62	22.5 x 6.75	D.C.	8	10.00	B6Q 1015-A	
57/62	22.5 x 6.75	D.C. ▲	6	8.75	B6T 1015-D	5.62 Offset
61/	22.5 x 6.75	D.C.	10	11.25	C1TT 1015-A	
63/	22.5 x 6.75	D.C. Δ	6	8.75	C3TZ 1015-A	
57/62	22.5 x 7.5	D.C.	8	10.00	B6QH 1015-A	
57/	22.5 x 7.5	D.C.	10	11.25	B6QH 1015-B	
61/	22.5 x 7.5	D.C.	10	11.25	C1TT 1015-D	Aluminum
57/	22.5 x 8.25	D.C.	10	11.25	B6QH 1015-C	
57/60	24.5 x 7.5	D.C.	10	11.25	★B6QH 1015-D	
57/60	24.5 x 8.25	D.C.	10	11.25	★B8QH 1015-A	

YEAR	WHEEL or RIM SIZE	TYPE	SPACER WIDTH	VENDOR CODE	WHEEL or RIM PART NO.	SIDE RING or FLANGE PART NUMBER	LOCK RING PART NO.
RIMS AND RINGS FOR SPOKE WHEELS or HUBS FOR TUBE TYPE TIRES							
57/63	20 x 6	3 PC.	4.00		★TYAA 1020-A Use 8Q 1020	8T 1099-C	8T 1021-C
57/63	20 x 6.5	3 PC.	4.00		8Q 1020	8Q 1099	8Q 1021
57/63	20 x 7	3 PC.	4.00		B8QH 1020-C	7EQH 1099	7EQH 1021-B
57/63	20 x 7.5	3 PC.	3.62		B8QH 1020-A	8QH 1099	7EQH 1021-B
57/	20 x 8	3PC.	3.62		B9T 1020-B	B9T 1099-A	7EQH 1021-B
57/63	22 x 7.5	3 PC.	3.62		B8QH 1020-B	TUAA 1099-A	TUAA 1021-A
57/63	22 x 8	3 PC.	3.62		B9T 1020-A	B9T 1099-B	TUAA 1021-A

RIMS AND RINGS FOR SPOKE WHEELS or HUBS FOR TUBELESS TYPE TIRES							
57/	22.5 x 6	D.C.	4.00		B6Q 1020-G		
57/	22.5 x 6.75	D.C.	4.00		B6Q 1020-E		
57/	22.5 x 7.5	D.C.	4.00		B6Q 1020-F		
57/	22.5 x 8.25	D.C.	4.00		B6QH 1020-C		
57/60	24.5 x 8.25	D.C.	4.00		B6QH 1020-E		
57/60	24.5 x 7.5	D.C.	4.00		B6QH 1020-D		

unt

100% SATISFACTION GUARANTEED

BUY IT NOW!

Click Here To Order

PayPal American Express Discover MasterCard VISA

FORD TRUCK PARTS

SECTION 10

YEAR	MODEL	DESCRIPTION	QTY.	PART NUMBER
1A011 SPACER - REAR WHEEL INNER BEARING				
62/	T-NT950 (42DP & 42RP axles)	3 1/4" I.D. -4 3/8" O.D. -11/16" thick	4	C2TZ 1A011-A
1012 NUT - HUB BOLT - FRONT and REAR				
57/	F-E-P100	1/2"-20	20	B 1012
63/	F350		32	
57/	F250, P350/400		32	
57/	F100/250 (Pickup)	Spare wheel carrier	1or3	
57/	F100 Platform & Stake, F350 Pickup, P350		2	
1A012 PIN - REAR WHEEL INNER BEARING SPACER				
62/	T-NT950 (42DP & 42RP axles)	1/2" long-tapered	4	C2TZ 1A012-A

1014 HUB ASSY - FRONT SPOKE WHEEL - Also see Spoke Wheel Chart with Group 1109

For model usage refer to Front Hub & Drum Chart under Basic Group 1104

STAMPED NUMBER	PART NUMBER	STAMPED NUMBER	PART NUMBER
F20-58A	C7TZ 1014-A	F22-49A	C0TT 1014-A
F20-58B	C7TZ 1014-G	F22-57A	B7QH 1014-B
1869	C3TZ 1014-A	F22-64A	B8QH 1014-B
F20-48A	B6Q 1014-A	F22-89	C3TZ 1014-B
F20-49A	B6Q 1014-B	F 8301 A6	B9TT 1014-D
F20-57A	B7QH 1014-A	F 8882	★C3TZ 1014-D
F20-58A	B7QH 1014-C		R/B C3TZ 1014-E
F20-64A	B8QH 1014-A	F 8965	C4TZ 1014-E
F20-88-A	C3TZ 1014-A	F 9159	C3TZ 1014-E
F20-89	C3TZ 1014-C		

YEAR	MODEL	DESCRIPTION	QTY.	PART NUMBER
1A014 SPACER - DISC WHEEL HUB				
62/	C-F-N-T800/1000, H-HT850/1000	Front-8 13/16" I.D.-13 1/2" O.D.-10 hole-11 1/4" bolt circle	2	C2TZ 1A014-A
62	C-F800/1000, H-HT850/1000	Rear	2or4	
1015 WHEEL ASSY. - DISC - Refer to the 1007 Wheel Chart				
1020 RIM ASSY. - SPOKE WHEEL - REFER TO WHEEL CHART - Refer to the 1007 Wheel Chart				
1A020 PLATE and PIN ASSY. - LOCKOUT HUB RETAINING - Also Refer to Parts List Section 40A				
61/	F250 (4 x 4)-3.5M front axle	For Dana (Spicer) hub	2	%C1TZ 1A020-A
61/	F250 (4 x 4)	Bolt (plate to hub housing)-3/8"-16 x 3"	6	376122-S(BB166D)
1021 RING - WHEEL RIM LOCK - Refer to 1007 Wheel Chart				
1A021 GASKET - LOCKOUT HUB HOUSING - Also Refer to Parts List Section 40A				
61/	F250 (4 x 4)-3.5M front axle	For Dana (Spicer) hub	2	%C1TZ 1A021-A
1A022 RING and CAM BODY ASSY. - LOCKOUT HUB - Also Refer to Parts List Section 40A				
61/	F250 (4 x 4)-3.5M front axle	For Dana (Spicer) hub	2	%C1TZ 1A022-A
1A023 BUSHING - LOCKOUT HUB - Also Refer to Parts List Section 40A				
61/	F250 (4 x 4)-3.5M front axle	For Dana (Spicer) hub	2	%C1TZ 1A023-A
1A024 SPRING - LOCKOUT HUB - Also Refer to Parts List Section 40A				
61/	F250 (4 x 4)-3.5M front axle	For Dana (Spicer) hub	2	%C1TZ 1A024-A
1A025 PIN - LOCKOUT HUB RETAINING CAP - Also Refer to Parts List Section 40A				
61/	F250 (4 x 4)-3.5M front axle	For Dana (Spicer) hub	2	%C1TZ 1A025-A
1A026 HOUSING ASSY. - LOCKOUT HUB - Also Refer to Parts List Section 40A				
61/	F250 (4 x 4)-3.5M front axle	For Dana (Spicer) hub	2	%C1TZ 1A026-A
1A028 SLEEVE and RING ASSY. - LOCKOUT HUB - Also Refer to Parts List Section 40A				
61/	F250 (4 x 4)-3.5M front axle	For Dana (Spicer) hub	2	%C1TZ 1A028-A
1A029 KNOB - LOCKOUT HUB ACTUATING - Also Refer to Parts List Section 40A				
61/	F250 (4 x 4)-3.5M front axle	For Dana (Spicer) hub	2	%C1TZ 1A029-A
1A030 "O" RING - FREE RUNNING HUB KNOB				
61/	F100/250 (4 x 4)	For Dana (Spicer) hub-1 9/16" I.D.-1 11/16" O.D.-rubber-also supplied in C1TZ 1104-A assy.	1	C1TZ 1A030-A

Assembly

100% SATISFACTION GUARANTEED

BUY IT NOW!

Click Here To Order

PayPal American Express Discover MasterCard VISA

YEAR	MODEL	DESCRIPTION	QTY.	PART NUMBER
1042-3 CLAMP - SPOKE WHEEL RIM				
57/60/61/61/58/60/62/61/62	B-C-F-CT-T700/1100, N950/1100, NT850/950 B-C-F600 (16M rear axle), N600/850 H-HT850/1000 B600 (8 cyl. 292 H/D & air brakes) C-F-N1100 C-F1000 H950/1000	Front Front Front Front	10 or 20 10 12 10	8Q 1042
57/60/62	B-C-F700/1000, CT-T750/950 C-F1100 T700 (H/D axle) B-C-F600 (16M rear axle), N600/1000 C-F1100 H-HT850/1000, NT850/950 B-C-F600(15M rr. axle), B-C-F700(15" x 4 1/2" rr. brakes), T700(std. axle) "From Ser. 220,001"	Rear-use with 22.5" x 8.25", 24" x 7.5" & 8.25" wheels Rear-stamped WP-193	12 12 12	8Q 1043-A
57/62	B-C-F700-with 15" x 4 1/2" rear brakes, T700 "Before Ser. 220,001"	Rear-stamped WP-142	10 or 20	B6Q 1043-B
60/62	B-C-F600(15M rear axle) "Before Ser. 220,001"		10	
58/62/63/57/57/60/61/62/58/58/59/61/63/	C-F-N1100 T850, HT850/950 CT-NT850/950, T950 C-F-T900/950, C800/850 (with tube tires) F-T800/850 F800/850 F-T800/850, CT950 C-F1000 C-F1100 H950/1000 N850/1000, NT850/950, CT750/850	Rear-stamped WP-65-use with 20" & 22" x 7.5" wheels Rear-use with B8QH 1020-A rim, TUAA 1044-A spacer & 10" x 20"-12 ply tires-stamped WP-166 Use with 20" & 22" x 7.5" wheels	12 20 20 10 or 20 10 or 20 10 10 or 20 10 10 10 10 or 20	TUAA 1043-A B7Q 1043-A
57/61/57/57/61/62/63/	B-C-CT-F-N-T700/1100, NT850/950 H-HT850/1000 B-C-F700/1100, N700/950 CT-T750/950 H950/1000 T700, NT850	Stud (front clamp to hub)-5/8"-11 & 5/8"-11 x 2 5/8" Stud (rear clamp to hub)	10 10 or 20 10 20 10 20	358671-S8B (WW62)
57/62/57/62	T700 B-C-F700 (15" x 4 1/2" rear brakes)	Nut-5/8"-11 Stud (rear clamp to hub)-9/16"-12 & 9/16"-12 x 2 1/8" Nut-9/16"-12	20 10 AR	356085-S8(MM14) 358708-S8B (WW55) 378476-S7-8 (MM11A)
1044 SPACER - REAR SPOKE WHEEL RIM				
57/61/57/57/61/62/63/57/58/61/62/57/60/58/60/62	B600/750, C-F-N600/1100, CT-NT-T700/950 H-HT850/1000 CT-T800/950, NT850/950 C900/950 C-F800/1100 H950/1000 CT750 B-C-F-N700, N850/1100 C-F-N900/1100 CT-HT-NT-T900/950 H-HT850/1000 CT-NT-T850 C-F900/1100 T950 T950 (42DP & 42RP)	20" x 4" - use with dual wheels 20" x 3 5/8"-use with dual wheels Use with tires with tubes 22" x 3 5/8"-use with 22" dual wheels 22" x 4"-use with dual wheels	AR AR 4 2 2 2 4 2 4 2 4 2 4 4 4	B7TZ 1044-C B7TZ 1044-A B7TZ 1044-B B6TZ 1044-A
59/	F100/250 (4 x 4)-3M front axle	For Warn hubs-1 3/4" O.D.-1/64" thick steel	2	IC0TT 1070-A

assembly



BUY IT NOW!

Click Here To Order



FORD TRUCK PARTS

SECTION 10

YEAR	MODEL	DESCRIPTION	QTY.	PART NUMBER
1080 LOCK RING - FREE RUNNING HUB INNER COUPLING				
59/	F100/250 (4 x 4)-3M front axle	For Warn hubs-1 7/16" O.D.	2	1C0TT 1080-A
1088 WASHER - THRUST - FREE RUNNING HUB				
59/	F100/250 (4 x 4)-3M front axle	For Warn hubs	2	1C0TZ 1088-A
1089 CONTROL ASSY. - FREE RUNNING HUB				
59/	F100/250 (4 x 4)-3M front axle	For Warn hubs	2	1C0TT 1089-A
1090-1 COUPLING - FREE RUNNING HUB				
59/	F100/250 (4 x 4)-3M front axle	For Warn hubs-outer-48 splines-2" I.D.-3 1/8" O.D.	2	1C0TT 1090-A
59/	F100/250 (4 x 4)-3M front axle	For Warn hubs-inner-19 splines on I.D.-20 grooves on O.D.	2	1C0TT 1091-A
1092 BEARING ASSY. - FREE RUNNING HUB INNER COUPLING				
59/	F100/250 (4 x 4)-3M front axle	For Warn hubs-5/8" I.D.-2" O.D.-stamped B-2610	2	1C0TT 1092-A
1093 BODY - FREE RUNNING HUB CLUTCH				
59/	F100/250 (4 x 4)-3M front axle	For Warn hubs	2	1C0TT 1093-A
59/	F100/250 (4 x 4)	Screw (body to coupling)-No. 10-32 x 1 1/4"-socket head	16	371581-S2(UU8C)
		"O" ring-1 1/8" I.D.	2	C1AZ 7A294-A
		"O" ring-1 7/8" I.D.	2	C1AZ 7C099-C
		"O" ring-2 5/8" I.D.	2	87147-S91(T38)
1094 PIN - FREE RUNNING HUB DRIVE				
59/	F100/250 (4 x 4)-3M front axle	For Warn hubs-1/4" O.D.-1 9/16" long	16	1C0TT 1094-A
1095 PIN - FREE RUNNING HUB STOP				
59/	F100/250 (4 x 4)-3M front axle	For Warn hubs-1/8" O.D.-21/64" long-knurled	2	1C0TT 1095-A
1097 KIT - SEAL and LOCK RING FREE RUNNING				
59/	F100/250 (4 x 4)-3M front axle	Use with C4TZ 1104-D Dana-Spicer free running hub	2	B9TZ 1097-A
	Consists of			
	1-C1TZ 1A030-A	"O" Ring	1-378391-S	"O" Ring
	1-371834-S	Lock ring	1-378392-S	Lock ring
59/60	F100/250 (4 x 4)-3M front axle	Use with C0TZ 1104-A Warn free running hub - consists of 3-"O" Rings 2-Lock rings	2	B9TZ 1097-B
61/	F250 (4 x 4)-3M front axle	Use with C1TZ 1104-A Dana-Spicer free running hub	2	C1TZ 1097-A
	Consists of			
	2-C1TZ 1A021-A	Gasket	1-87024-S91	"O" Ring
		1-371834-S		Lock ring
1098 ACTUATOR - FREE RUNNING HUB CLUTCH				
59/	F100/250 (4 x 4)-3M front axle	For Warn hubs-1 1/2" O.D.-L.H.-square teeth	2	1C0TT 1098-A
1099 FLANGE - WHEEL RIM - Refer to 1007 Wheel Chart				
1101 RING - FREE RUNNING HUB CLUTCH				
59/	F100/250 (4 x 4)-3M front axle	For Warn hubs-20 grooves on I.D.-2 1/2" O.D.-8 grooves on O.D.-also supplied in C0TZ 1104-A assy.	2	C0TT 1101-A
1102-3 HUB and BRAKE DRUM ASSY. - FRONT -Refer to Group 1104				

sembly



BUY IT NOW!

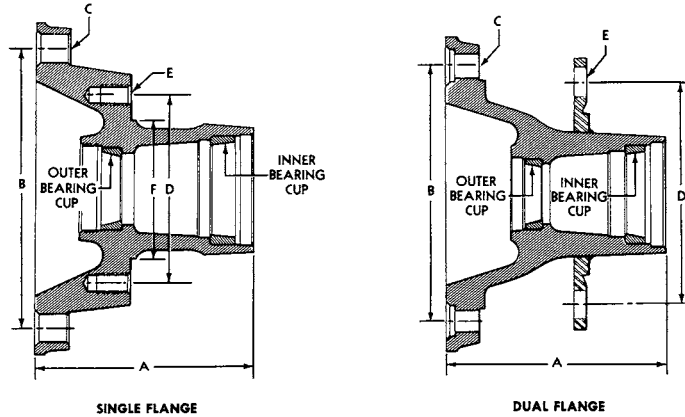
Click Here To Order



YEAR	MODEL	DESCRIPTION	QTY.	PART NUMBER
1104 HUB ASSY. - FRONT WHEEL - FREE RUNNING				
59/	F100/250 (4 x 4) with 3M front axle	Warn type-marked "Warn"	AR	C0TZ 1104-A
61/	F100/250 (4 x 4) with 3.5M front axle	Dana (Spicer) type-marked "Hub Lok"	AR	C1TZ 1104-A

1104 HUB ASSY. - FRONT - For Model Usage Refer to Application Chart on Page 18

FRONT HUB IDENTIFICATION CHART



P-3657

FRONT HUBS for DISC WHEELS
(For front hubs for spoke wheels, refer to Group 1109)

PART NUMBER	A	B	C		D	E		F	BEARING CUP PART NUMBER		
	LENGTH	BOLT CIRCLE	HOLES		DRUM BOLT CIRCLE	DRUM HOLES		SHOULDER DIAMETER	INNER	OUTER	
			NO.	DIAMETER		NO.	DIAMETER		* STAMPED NO.	* STAMPED NO.	
DUAL FLANGE											
C3TZ 1104-H		11 1/4"	10						TGAA 1202-A *45220	C3TZ 1202-A *25820	
B7Y 1104-B	6 13/32"	7 1/4"	6	5/8"	7 1/4"	8	41/64"		B7A 4222-A *LM 501310	AA 1217-A *1328	
B7Q 1104-A	6 5/8"	8 3/4"	6	25/32"	8"	5	33/64"		TGAA 1202-A *45220	7EQ 1217 *2720	
B7T 1104-C	6 15/16"	8"	5	7/8"	8"	5	17/32"		9N 4222 *3720	7EQ 1217 *2720	
C3TZ 1104-G	6 15/16"	8"	5	7/8"	8"	5	17/32"		9N 4222 *3720	C3TZ 1202-A *25820	
B4Q 1104-A	6 15/16"	8 3/4"	6	7/8"	8"	5	17/32"		9N 4222 *3720	7EQ 1217 *2720	
B5Q 1104-A	6 15/16"	10"	8	7/8"	8"	5	17/32"		TGAA 1202-A *45220	7EQ 1217 *2720	
TUAA 1104-A	7 1/8"	11 1/4"	10	63/64"	8"	5	1/2"-13		7EQH 1239 *39520	81T 1202 *3525	
B5QH 1104-C	7 1/4"	10"	8	7/8"	8"	5	17/32"		7EQH 1239 *39520	81T 1202 *3525	
B5Q 1104-B	7 5/16"	10"	8	7/8"	8"	5	33/64"		9N 4222 *3720	7EQ 1217 *2720	
B5QH 1104-A	7 1/2"	11 1/4"	10	63/64"	8"	5	17/32"		TGAA 1202-A *45220	7EQ 1217 *2720	
B9TZ 1104-A	8 1/4"	11 1/4"	10	63/64"	9"	5	17/32"		B9TT 1202-A *HM 212011	9N 4222 *3720	
B5QH 1104-B	8 5/16"	11 1/4"	10	63/64"	9"	5	17/32"		B5QH 1202-B *553X	9N 4222 *3720	
B8QH 1104-A	8 25/32"	8 7/32"	10	25/32"	10 5/8"	10	17/32"		B8QH 1202-A *6320	B8QH 1217-A *532A	

100% SATISFACTION GUARANTEED

BUY IT NOW!

Click Here To Order

1104 HUB ASSY. - FRONT - continued

FRONT HUB IDENTIFICATION CHART - For model usage refer to Application Chart on Page 18

PART NUMBER	A	B	C		D	E		F	BEARING CUP	PART NUMBER
	LENGTH	BOLT CIRCLE	HOLES		DRUM BOLT CIRCLE	DRUM HOLES		SHOULDER DIAMETER	INNER	OUTER
			NO.	DIAMETER		NO.	DIAMETER		* STAMPED NO.	* STAMPED NO.
SINGLE FLANGE										
C3TZ 1104-D			6		8 3/4"				TGAA 1202-A *45220	C3TZ 1202-A *25820
C1TZ 1104-B		6 1/2"	8						B6J 1243-A *362A	B7A 4222-A *LM 501310
C2TZ 1104-A		11 1/4"	10	63/64"	9"	5	33/64"		B9TT 1202-A *HM 212011	9N 4222 *3720
★B7C 1104-A R/B B7TZ 1102-A (2-68)	4 3/32"	5 1/2"	5	39/64"				3 5/32"	B7C 1202-A *LM 48510	B5A 1217-A *LM 11910
★B7D 1104-A R/B B7TZ 1102-B (5-69)	4 3/32"	6 1/2"	8	39/64"	6 1/2"	3	3/8"-16	4 3/4"	B7C 1202-A *LM 48510	8A 1217-A *09195
B7J 1104-A	4 29/64"	6 1/2"	8	39/64"	6 1/2"	3	3/8"-16		B7A 4222-A *LM 501310	AA 1217-A *1328
B7Y 1104-A	4 29/64"	7 1/4"	6	5/8"	7 1/4"	3	3/8"-16		B7A 4222-A *LM 501310	AA 1217-A *1328
★B9TT 1104-A R/B B9TZ 1102-B (5-69)	6 3/8"	5 1/2"	5	39/64"				3 9/16"	B7A 4222-B *LM 603011	B7A 4222-A *LM 501310
★B9TT 1104-B R/B B9TZ 1102-A	6 3/8"	6 1/2"	8	39/64"	6 1/2"	3	3/8"-16	4 3/4"	B7A 4222-B *LM 603011	B7A 4222-A *LM 501310
B7T 1104-B	6 3/8"	8"	5	7/8"	5 1/2"	5	5/8"-18	3 15/16"	B6T 1202-A *25522	B 1202 *15250
C3TZ 1104-F	6 3/8"	8"	5	7/8"	5 1/2"	5	5/8"-18	3 15/16"	B5A 1202-A *LM 67010	C3TZ 1202-B *25520
B7T 1104-A	6 9/16"	8 3/4"	6	7/8"	5 1/2"	6	5/8"-18		B6T 1202-A *25522 *25520	B 1202 *15250 *LM 67010
C3TZ 1104-A	6 15/16"	8 3/4"	6	25/32"				6 15/16"	9N 4222 *3720	C3TZ 1202-A *25820



BUY IT NOW!

Click Here To Order



1104 HUB ASSY. - FRONT - continued

HOW TO UTILIZE FRONT HUB, DRUM & RELATED PARTS CHARTS

1. Determine front axle capacity of the truck model for which the part is desired.
2. Select appropriate parts list number from Application Chart shown on pages 18 and 19
3. Refer to Parts List Chart (starting on page 20) for following items shown on adjacent pages:

1014	Hub assy. -front spoke wheel	1190	Retainer-front wheel grease
1104	Hub assy. -front disc wheel	1195	Washer-front hub outer bearing
1125	Drum-front brake	1202	Cup-front wheel inner bearing
1107-8	Hub bolt	1217	Cup-front wheel outer bearing
1118-9	Hub bolt	1201	Cone & roller assy. -front wheel inner bearing
1012	Wheels nut	1216	Cone & roller assy. -front wheel outer bearing
1120-1	Wheel nut		

4. For dimensions, identification numbers, etc., and for attaching parts, refer to appropriate groups listed in Section 11.

MODEL APPLICATION CHART FOR FRONT HUBS, DRUMS & RELATED PARTS

This chart is to be used with the Parts Lists Chart on Pages 20 thru 23
For Rear Hubs, Drums, etc. refer to Page 27 of this section

FRONT AXLE CAPACITY	MODEL	BRAKE SIZE	YEAR	WHEEL		VENDOR CODE@	PARTS LIST NO. *		
				† SPOKE	†† DISC				
2150 lb.	E100	10 x 2.50	61/				1		
2600 lb., 2750 lb.	F100 (4 x 2)	11 x 2	57/62		5		3		
			63		5		141		
2600 lb.	P100	11 x 2	57/62		5		3		
			63		5		141		
2600 lb.	F 250 (4 x 2)	12.12 x 2	57/63		8		9		
3000 lb.	F100 (4 x 4)	11 x 2	59/		5		5		
3000 lb.	F250 (4 x 4)	12.12 x 2	59/		8		13		
3500 lb.	F250 (4 x 4)	12.12 x 2	61/		8		14		
3800 lb.	F 350-single rears	12.12 x 2	57/		6		15		
	F 350-dual rears	12.12 x 2							
			57/		6		18		
	P 350-single rears-with 5200# rear axle	12.12 x 2	57/62		6		19		
	-with 5200# rear axle		57/		8		20		
	P 350-dual rears	12.12 x 2							
			57/		6		22		
	P 400-single rears	12.12 x 2	57/		6		23		
	P 400-dual rears	12.12 x 2							
			57/		6		26		
4000 lb., 4700 lb.	B-F-N-P500/600	13 x 2.25	57/62		5		27		
			63/		5		28		
			57		6		29		
			14 x 2.50	58/62	6		30		
5000 lb., 5500 lb.	B-F-N500/750	14 x 2.50	63/	20"		D	32		
			63/		5	K	33		
			63/		6	B-D	34		
6000 lb.	B-F-N600/800, C500/600, T700	14 x 2.50	57/62	20"			35		
			63/	20"		G-K	36		
			57/62		5		37		
			63/		5		38		
			57/62		6		39		
			63/		6	D	40		
			57/62		8		41		
			16 x 2.50	57/62	20"				46
			63/	20"		K		47	
			63/		6	B		48	
57/62		8			49				

@ D-Dayton G-Gunite K-Kelsey Hayes B-Budd R-Rockwell † Size shown †† Number of studs shown
* Parts Lists Start on Page 20



BUY IT NOW!

Click Here To Order



1104 - continued

MODEL APPLICATION CHART FOR FRONT HUBS, DRUMS & RELATED PARTS

FRONT AXLE CAPACITY	M O D E L	BRAKE SIZE	YEAR	WHEEL		VENDOR CODE@	PARTS LIST NO.*	
				†SPOKE	††DISC			
7000 lb.	B-F-N700/950, C600/750, T700/750	16 x 2.25 & 16 x 2.50	57/62	20"		G-K	55	
			63/	20"		D-G	56	
			57/62	22"		G-K	57	
			63/	22"		G-K	58	
			57/62		6		59	
			63/		6	B	60	
			57/62		8	G-K	61	
			57/62		10	G-K	62	
			63/		10	B	63	
			9000 lb.	C-F-700/1100, N750/1100, H950/1000, NT850/950, CT-T750/950	15 x 3.0 & 15 x 3.50	63/	20"	
63/	22"					B	66	
						10		68
16 x 2.25 & 16 x 2.50	57/	20"				G-D	71	
	57/	22"				G-D	72	
	57/62				8	G-D	73	
	57/				10	B	74	
16.25 x 3.50	57/	20"				G-D	75	
	57/	22"				G-D	76	
	57/				10	B	77	
11000 lb.	C-F-N800/1100, HT850/950, H950/1000, NT850/950, CT-T750/950	15 x 3.50	63	20"		D	78	
			63	22"		D	80	
			63		10	R	82	
			63/		10	R	84	
		16 x 2.25 & 16 x 2.50	57/58	20"		G-K	85	
			59/63	20"		G-K	86	
			57/58		10		87	
			59/63		10		88	
			62/63		10	R	89	
		16.25 x 3.50	57/58	20"		G-K	90	
			59/63	20"		G-K	91	
			57/63	22"		G-K	93	
			57/58		10		95	
			59/63		10		96	
62/			10	R	98			
15000 lb.	F-H-N1000/1100, C900/1100, HT950, NT850/950, CT-T800/950	17.25 x 3.50	57/	20"		G-K	109	
			57/	22"		G-K	110	
			57/		10	R	111	

D-Dayton G-Gunite K-Kelsey Hayes B-Budd R-Rockwell † Size shown †† Number studs shown



BUY IT NOW!
Click Here To Order



1104 - continued

PARTS LISTS CHART FOR FRONT HUBS, DRUMS & RELATED PARTS

(SEE INSTRUCTIONS FOR IDENTIFYING FRONT HUBS, DRUMS & RELATED PARTS ON Page 18 OF THIS SECTION)
(CHART CONTINUED ON NEXT PAGE - SEE RELATED LINE NUMBER)

PARTS LIST NO.	FRONT HUB (2 REQ'D.)	FRONT DRUM (2 REQ'D.)	HUB BOLTS		HUB NUTS	
			R.H. (AS REQUIRED)	L.H. (AS REQUIRED)	R.H. (AS REQUIRED)	L.H. (AS REQUIRED)
1	C1UU 1102-A	%	C1AZ 1107-A	C1AZ 1107-A	B 1012	B 1012
3	B7TZ 1102-A	A8TZ 1125-A	A9AZ 1107-A	A9AZ 1107-A	B 1012	B 1012
4	C6TZ 1102-B	%	A9AZ 1107-B	A9AZ 1107-B	B 1012	B 1012
5	\$B9TZ 1102-B	C0TZ 1125-A	A9AZ 1107-B	A9AZ 1107-B	B 1012	B 1012
9	B7TZ 1102-B	C3TZ 1125-C	8D 1107-A	8D 1107-A	B 1012	B 1012
13	\$B9TZ 1102-A	%	8D 1107-A	8D 1107-A	B 1012	B 1012
14	AC1TZ 1104-B	C1TZ 1102-A	8D 1107-A	8D 1107-A	B 1012	B 1012
15	B7Y 1104-A	C3TZ 1125-L	B5Y 1107-A	B5Y 1107-A	B7TZ 1120-A	B7TZ 1120-A
18	B7Y 1104-B	C3TZ 1125-C	TCAA 1107-A	TCAA 1108-A	B7TZ 1120-A	B7TZ 1121-A
19	B7Y 1104-A	C3TZ 1125-L	B5Y 1107-A	B5Y 1107-A	B7TZ 1120-A	B7TZ 1120-A
20	B7J 1104-A	C3TZ 1125-C	8D 1107-A	8D 1107-A	B 1012	B 1012
22	B7Y 1104-B	C3TZ 1125-C	TCAA 1107-A	TCAA 1108-A	B7TZ 1120-A	B7TZ 1121-A
23	B7Y 1104-A	C3TZ 1125-L	B5Y 1107-A	B5Y 1107-A	B7TZ 1120-A	B7TZ 1120-A
26	B7Y 1104-B	C3TZ 1125-C	TCAA 1107-A	TCAA 1108-A	B7TZ 1120-A	B7TZ 1121-A
27	B7T 1104-B	B5T 1125-A	51 1107	51 1108	BB 1120	BB 1121
28	C3TZ 1104-F	B5T 1125-A	51 1107	51 1108	BB 1120	BB 1121
29	B7T 1104-A	B4T 1125-A	51 1107	51 1108	BB 1120	BB 1121
30	B7T 1104-A	B7T 1125-B	51 1107	51 1108	BB 1120	BB 1121
32	C3TZ 1014-E	B7Q 1125-A	Δ	Δ	Δ	Δ
33	C3TZ 1104-F	C4TZ 1125-L	51 1107	51 1108	BB 1120	BB 1121
34	C3TZ 1104-B	C3TZ 1125-M	# C4TZ 1107-C	# C4TZ 1107-D	# BB 1120	# BB 1121
35	B6Q 1014-A	B7Q 1125-A	Δ	Δ	Δ	Δ
36	C3TZ 1014-A	B7Q 1125-A	Δ	Δ	Δ	Δ
37	B7T 1104-C	B8T 1125-A	51 1107	51 1108	BB 1120	BB 1121
38	C3TZ 1104-G	B8T 1125-A	51 1107	51 1108	BB 1120	BB 1121
39	B4Q 1104-A	B8T 1125-A	51 1107	51 1108	BB 1120	BB 1121
40	C3TZ 1104-A	C3TZ 1125-A	# C4TZ 1107-C	# C4TZ 1107-D	# BB 1120	# BB 1121
41	B5Q 1104-B	B8T 1125-A	7EQ 1118	7EQ 1119	BB 1120	BB 1121
46	B6Q 1014-A	B7Q 1125-C	Δ	Δ	Δ	Δ
47	C3TZ 1014-A	B7Q 1125-C	Δ	Δ	Δ	Δ
48	C3TZ 1104-A	C3TZ 1125-E	# C4TZ 1107-C	# C4TZ 1107-D	# BB 1120	# BB 1121
49	B5Q 1104-A	B7Q 1125-B	7EQ 1118	7EQ 1119	BB 1120	BB 1121
55	B6Q 1014-B	B7Q 1125-C	Δ	Δ	Δ	Δ
56	C3TZ 1014-C	B7Q 1125-C	Δ	Δ	Δ	Δ
57	C0TT 1014-A	B7Q 1125-C	Δ	Δ	Δ	Δ
58	C3TZ 1014-B	B7Q 1125-C	Δ	Δ	Δ	Δ
59	B7Q 1104-A	B7Q 1125-B	7EQ 1118	7EQ 1119	BB 1120	BB 1121
60	C3TZ 1104-D	C3TZ 1125-E	&C4TZ 1107-E	&C4TZ 1107-F	&BB 1120	&BB 1121
61	B5QH 1104-C	B7Q 1125-B	7EQ 1118	7EQ 1119	BB 1120	BB 1121

\$ Use in conjunction with C0TZ 1104-A (59/63)-Warn

Δ Use in conjunction with C1TZ 1104-A for free running hubs % Part of 1102 Hub & Drum Assy.

For ball seat mounted wheels - use C3TZ 1118-B (R.H. & L.H.) and C3TZ 1120-A (R.H. & L.H.) for pilot mounted wheels

For ball seat mounted wheels - use C3TZ 1118-F (R.H. & L.H.) and C3TZ 1120-A (R.H. & L.H.) for pilot mounted wheels

5-S8 rim nut and 370114-S8 drum bolt & 33846-S8 drum nut



BUY IT NOW!

Click Here To Order



1104 - continued

PARTS LISTS CHART FOR FRONT HUBS, DRUMS & RELATED PARTS

(SEE INSTRUCTIONS FOR IDENTIFYING FRONT HUBS, DRUMS & RELATED PARTS ON Page 18 OF THIS SECTION)
(CHART CONTINUED FROM LAST PAGE - SEE RELATED LINE NUMBER)

PARTS LIST NO.	RETAINER (2 REQ'D.)	WASHER (2 REQ'D.)	BEARING CUPS		BEARINGS	
			INNER (2 REQUIRED)	OUTER (2 REQUIRED)	INNER (2 REQUIRED)	OUTER (2 REQUIRED)
1	C1UZ 1190-A	C2AZ 1195-A	B5A 1202-A	B5A 1217-A	B5A 1201-A	B5A 1216-A
3	B7C 1190-A	C2AZ 1195-A	B7C 1202-A	B5A 1217-A	B7C 1201-A	B5A 1216-A
4	C5TZ 1190-A	C2AZ 1195-A	B7C 1202-A	B5A 1217-A	B7C 1201-A	B5A 1216-A
5	B9TZ 1190-A		B7A 4222-B	B7A 4222-A	B7A 4221-B	B7A 4221-A
9	B7C 1190-A	C2AZ 1195-A	B7C 1202-A	B5A 1217-A	B7C 1201-A	B5A 1216-A
13	B9TZ 1190-A		B7A 4222-B	B7A 4222-A	B7A 4221-B	B7A 4221-A
14	C1TZ 1190-A		B6J 1243-A	B7A 4222-A	C1TZ 1201-A	B7A 4221-A
15	B7TZ 1190-A	B 1195	B7A 4222-A	AA 1217-A	B7A 4221-A	AA 1216-A
18	B7TZ 1190-A	B 1195	B7A 4222-A	AA 1217-A	B7A 4221-A	AA 1216-A
19	B7TZ 1190-A	B 1195	B7A 4222-A	AA 1217-A	B7A 4221-A	AA 1216-A
20	B7TZ 1190-A	B 1195	B7A 4222-A	AA 1217-A	B7A 4221-A	AA 1216-A
22	B7TZ 1190-A	B 1195	B7A 4222-A	AA 1217-A	B7A 4221-A	AA 1216-A
23	B7TZ 1190-A	B 1195	B7A 4222-A	AA 1217-A	B7A 4221-A	AA 1216-A
26	B7TZ 1190-A	B 1195	B7A 4222-A	AA 1217-A	B7A 4221-A	AA 1216-A
27	B7T 1190-A	B7J 1195-A	B6T 1202-A	B 1202	B7T 1201-A	91T 1216
28	B7T 1190-A	C3TZ 1195-A	C3TZ 1202-B	B5A 1202-A	B7T 1201-A	B5A 1201-A
29	B7T 1190-A	B7J 1195-A	B6T 1202-A	B 1202	B7T 1201-A	91T 1216
30	B7T 1190-A	B7J 1195-A	B6T 1202-A	B 1202	B7T 1201-A	91T 1216
32	B7T 1190-A	C3TZ 1195-A	C3TZ 1202-B	B5A 1202-A	B7T 1201-A	B5A 1201-A
33	B7T 1190-A	C3TZ 1195-A	C3TZ 1202-B	B5A 1202-A	B7T 1201-A	B5A 1201-A
34	B7T 1190-A	C3TZ 1195-A	C3TZ 1202-B	B5A 1202-A	B7T 1201-A	B5A 1201-A
35	▲C3TZ 1190-A	B7T 1195-A	9N 4222	7EQ 1217	7EQ 1201	7EQ 1216
36	C3TZ 1190-A	B7T 1195-A	9N 4222	C3TZ 1202-A	7EQ 1201	C3TZ 1216-B
37	▲C3TZ 1190-A	B7T 1195-A	9N 4222	7EQ 1217	7EQ 1201	7EQ 1216
38	C3TZ 1190-A	B7T 1195-A	9N 4222	C3TZ 1202-A	7EQ 1201	C3TZ 1216-B
39	▲C3TZ 1190-A	B7T 1195-A	9N 4222	7EQ 1217	7EQ 1201	7EQ 1216
40	C3TZ 1190-A	B7T 1195-A	9N 4222	C3TZ 1202-A	7EQ 1201	C3TZ 1216-B
41	▲C3TZ 1190-A	B7T 1195-A	9N 4222	7EQ 1217	7EQ 1201	7EQ 1216
46	▲C3TZ 1190-A	B7T 1195-A	9N 4222	7EQ 1217	7EQ 1201	7EQ 1216
47	C3TZ 1190-A	B7T 1195-A	9N 4222	C3TZ 1202-A	7EQ 1201	C3TZ 1216-B
48	C3TZ 1190-A	B7T 1195-A	9N 4222	C3TZ 1202-A	7EQ 1201	C3TZ 1216-B
49	▲C3TZ 1190-A	B7T 1195-A	TGAA 1202-A	7EQ 1217	7EQ 1201	7EQ 1216
55	C3TZ 1190-C	TGAA 1195-A	TGAA 1202-A	7EQ 1217	TGAA 1201-A	TGAA 1216-A
56	C3TZ 1190-C	TGAA 1195-A	TGAA 1202-A	C3TZ 1202-A	TGAA 1201-A	C3TZ 1216-A
57	C3TZ 1190-C	TGAA 1195-A	TGAA 1202-A	7EQ 1217	TGAA 1201-A	TGAA 1216-A
58	C3TZ 1190-C	TGAA 1195-A	TGAA 1202-A	C3TZ 1202-A	TGAA 1201-A	C3TZ 1216-A
59	C3TZ 1190-C	TGAA 1195-A	TGAA 1202-A	7EQ 1217	TGAA 1201-A	TGAA 1216-A
60	C3TZ 1190-C	TGAA 1195-A	TGAA 1202-A	C3TZ 1202-A	TGAA 1201-A	C3TZ 1216-A
61	C3TZ 1190-C	TGAA 1195-A	7EQH 1239	81T 1202	TGAA 1201-A	TGAA 1216-A

▲ Use A8TZ 1190-A for 1957/60



BUY IT NOW!

Click Here To Order



1104 - continued

PARTS LISTS CHART FOR FRONT HUBS, DRUMS & RELATED PARTS

(SEE INSTRUCTIONS FOR IDENTIFYING FRONT HUBS, DRUMS & RELATED PARTS ON Page 18 OF THIS SECTION)
(CHART CONTINUED ON NEXT PAGE - SEE RELATED LINE NUMBER)

PARTS LIST NO.	FRONT HUB (2 REQ'D)	FRONT DRUM (2 REQ'D.)	HUB BOLTS		HUB NUTS	
			R.H. (AS REQUIRED)	L.H. (AS REQUIRED)	R.H. (AS REQUIRED)	L.H. (AS REQUIRED)
62	B5QH 1104-A	B7Q 1125-B	7EQ 1118	7EQ 1119	BB 1120	BB 1121
63	C3TZ 1104-H	B7Q 1125-B	7EQ 1118	7EQ 1119	BB 1120	BB 1121
64	B7QH 1014-A	C3TZ 1125-H	Δ	Δ	Δ	Δ
66	B7QH 1014-B	C3TZ 1125-H	Δ	Δ	Δ	Δ
68	TUAA 1104-A	C3TZ 1125-F	7EQ 1118	7EQ 1119	BB 1120	BB 1121
71	B7QH 1014-A	B7Q 1125-C	Δ	Δ	Δ	Δ
72	B7QH 1014-B	B7Q 1125-C	Δ	Δ	Δ	Δ
73	B5QH 1104-C	B7Q 1125-B	7EQ 1118	7EQ 1119	BB 1120	BB 1121
74	TUAA 1104-A	B7Q 1125-B	7EQ 1118	7EQ 1119	BB 1120	BB 1121
75	B7QH 1014-A	B8QH 1125-A	Δ	Δ	Δ	Δ
76	B7QH 1014-B	B8QH 1125-A	Δ	Δ	Δ	Δ
77	TUAA 1104-A	B8QH 1125-C	7EQ 1118	7EQ 1119	BB 1120	BB 1121
78	C7TZ 1014-G	C3TZ 1125-H	Δ	Δ	Δ	Δ
79	C4TZ 1014-E	C4TZ 1125-H	Δ	Δ	Δ	Δ
80	B9TT 1014-D	C3TZ 1125-H	Δ	Δ	Δ	Δ
82	B9TZ 1104-A	C3TZ 1125-G	7EQ 1118	7EQ 1119	BB 1120	BB 1121
84	▲C2TZ 1104-A	C3TZ 1125-G	C2TZ 1107-A	C2TZ 1107-B	CITT 1120-A	CITT 1121-A
85	*B7QH 1014-C	B7Q 1125-C	Δ	Δ	Δ	Δ
86	C7TZ 1014-G	B7Q 1125-C	Δ	Δ	Δ	Δ
87	B5QH 1104-B	B5QH 1125-A	7EQ 1118	7EQ 1119	BB 1120	BB 1121
88	B9TZ 1104-A	B5QH 1125-A	7EQ 1118	7EQ 1119	BB 1120	BB 1121
89	▲C2TZ 1104-A	B5QH 1125-A	C2TZ 1107-A	C2TZ 1107-B	CITT 1120-A	CITT 1121-A
90	*B7QH 1014-C	B8QH 1125-A	Δ	Δ	Δ	Δ
91	C7TZ 1014-G	B8QH 1125-A	Δ	Δ	Δ	Δ
93	B9TT 1014-D	B8QH 1125-A	Δ	Δ	Δ	Δ
95	B5QH 1104-B	B8QH 1125-B	7EQ 1118	7EQ 1119	BB 1120	BB 1121
96	B9TZ 1104-A	B8QH 1125-B	7EQ 1118	7EQ 1119	BB 1120	BB 1121
98	▲C2TZ 1104-A	B8QH 1125-B	C2TZ 1107-A	C2TZ 1107-B	CITT 1120-A	CITT 1121-A
109	B8QH 1014-A	B8QH 1125-E	Δ	Δ	Δ	Δ
110	B8QH 1014-B	B8QH 1125-E	Δ	Δ	Δ	Δ
111	B8QH 1104-A	B8QH 1125-D	B8QH 1107-A	B8QH 1108-A	BB 1120	BB 1121
141	B7TZ 1102-A	%	A9AZ 1107-B	A9AZ 1107-B	B 1012	B 1012

▲ Aluminum % Part of Hub and Drum Assy. * Use C7TZ 1014-A for 1958
Δ Use 358671-S8B rim stud & 356085-S8 rim nut and 370114-S8 drum bolt & 33846-S8 drum nut



BUY IT NOW!

Click Here To Order



1104 - continued

PARTS LISTS CHART FOR FRONT HUBS, DRUMS & RELATED PARTS

(SEE INSTRUCTIONS FOR IDENTIFYING FRONT HUBS, DRUMS & RELATED PARTS ON Page 18 OF THIS SECTION)
(CHART CONTINUED FROM LAST PAGE - SEE RELATED LINE NUMBER)

PARTS LIST NO.	RETAINER (2 REQ'D.)	WASHER (2 REQ'D.)	BEARING CUPS		BEARINGS	
			INNER (2 REQUIRED)	OUTER (2 REQUIRED)	INNER (2 REQUIRED)	OUTER (2 REQUIRED)
62	C3TZ 1190-C	TGAA 1195-A	TGAA 1202-A	7EQ 1217	TGAA 1201-A	TGAA 1216-A
63	C3TZ 1190-C	TGAA 1195-A	TGAA 1202-A	C3TZ 1202-A	TGAA 1201-A	C3TZ 1216-A
64	B5QH 1190-A	8EB 1195	7EQH 1239	81T 1202	8Q 1201-A	8EB 1216
66	B5QH 1190-A	8EB 1195	7EQH 1239	81T 1202	8Q 1201-A	8EB 1216
68	B5QH 1190-A	8EB 1195	7EQH 1239	81T 1202	8Q 1201-A	8EB 1216
71	B5QH 1190-A	8EB 1195	7EQH 1239	81T 1202	8Q 1201-A	8EB 1216
72	B5QH 1190-A	8EB 1195	7EQH 1239	81T 1202	8Q 1201-A	8EB 1216
73	B5QH 1190-A	8EB 1195	7EQH 1239	81T 1202	8Q 1201-A	8EB 1216
74	B5QH 1190-A	8EB 1195	7EQH 1239	81T 1202	8Q 1201-A	8EB 1216
75	B5QH 1190-A	8EB 1195	7EQH 1239	81T 1202	8Q 1201-A	8EB 1216
76	B5QH 1190-A	8EB 1195	7EQH 1239	81T 1202	8Q 1201-A	8EB 1216
77	B5QH 1190-A	8EB 1195	7EQH 1239	81T 1202	8Q 1201-A	8EB 1216
78	B5QH 1190-A	8EB 1195	B9TT 1202-A	9N 4222	B9TT 1201-A	B5QH 1216-A
79	*C4TZ 1190-A	C4TZ 1195-A	B8QH 1243-A	B9TT 1202-A	C4TZ 1201-A	C4TZ 1216-A
80	B5QH 1190-A	8EB 1195	B9TT 1202-A	9N 4222	B9TT 1201-A	B5QH 1216-A
82	B5QH 1190-A	8EB 1195	B9TT 1202-A	9N 4222	B9TT 1201-A	B5QH 1216-A
84	B5QH 1190-A	8EB 1195	B9TT 1202-A	9N 4222	B9TT 1201-A	B5QH 1216-A
85	B5QH 1190-A	8EB 1195	B5QH 1202-B	9N 4222	B5QH 1201-A	B5QH 1216-A
86	B5QH 1190-A	8EB 1195	B9TT 1202-A	9N 4222	B9TT 1201-A	B5QH 1216-A
87	B5QH 1190-A	8EB 1195	B5QH 1202-B	9N 4222	B5QH 1201-A	B5QH 1216-A
88	B5QH 1190-A	8EB 1195	B9TT 1202-A	9N 4222	B9TT 1201-A	B5QH 1216-A
89	B5QH 1190-A	8EB 1195	B9TT 1202-A	9N 4222	B9TT 1201-A	B5QH 1216-A
90	B5QH 1190-A	8EB 1195	B5QH 1202-B	9N 4222	B5QH 1201-A	B5QH 1216-A
91	B5QH 1190-A	8EB 1195	B9TT 1202-A	9N 4222	B9TT 1201-A	B5QH 1216-A
93	B5QH 1190-A	8EB 1195	B9TT 1202-A	9N 4222	B9TT 1201-A	B5QH 1216-A
95	B5QH 1190-A	8EB 1195	B5QH 1202-B	9N 4222	B5QH 1201-A	B5QH 1216-A
96	B5QH 1190-A	8EB 1195	B9TT 1202-A	9N 4222	B9TT 1201-A	B5QH 1216-A
98	B5QH 1190-A	8EB 1195	B9TT 1202-A	9N 4222	B9TT 1201-A	B5QH 1216-A
109	B8QH 1190-A	B8QH 1195-A	B8QH 1202-A	B8QH 1217-A	B8QH 1201-A	B8QH 1216-A
110	B8QH 1190-A	B8QH 1195-A	B8QH 1202-A	B8QH 1217-A	B8QH 1201-A	B8QH 1216-A
111	B8QH 1190-A	B8QH 1195-A	B8QH 1202-A	B8QH 1217-A	B8QH 1201-A	B8QH 1216-A
141	B7C 1190-A	C2AZ 1195-A	B7C 1202-A	B5A 1217-A	B7C 1201-A	B5A 1216-A

* Use C4TZ 1195-B as washer

100% SATISFACTION GUARANTEED

BUY IT NOW!

Click Here To Order

PayPal Discover MasterCard VISA

1107-8 BOLT - HUB

For model usage refer to charts under Basic Groups 1104 & 1109

SIZE	PART NUMBER	SIZE	PART NUMBER
1/2"-20 x 1 15/32"	C1AZ 1107-A	3/4"-16 x 2 1/4"	51 1107 R.H.
1/2"-20 x 1 1/2"	A9AZ 1107-A	3/4"-16 x 2 1/4"	51 1108 L.H.
1/2"-20 x 1 5/8"	A9AZ 1107-B	3/4"-16 x 2 3/8"	C4TZ 1107-C R.H.
1/2"-20 x 1 3/4"	8D 1107-A	3/4"-16 x 2 3/8"	C4TZ 1107-D L.H.
1/2"-20 x 1 27/32"	C6TZ 1107-A	3/4"-16 x 2 5/8"	C4TZ 1107-E R.H.
5/8"-18 x 1 3/4"	B5Y 1107-A	3/4"-16 x 2 5/8"	C4TZ 1107-F L.H.
5/8"-18 x 2 1/8"	TCAA 1107-A R.H.	3/4"-16 x 3 1/8"	C2TZ 1107-A R.H.
5/8"-18 x 2 1/8"	TCAA 1108-A L.H.	3/4"-16 x 3 1/8"	C2TZ 1107-B L.H.
		3/4"-16 x 3 1/8"	B8QH 1107-A R.H.
		3/4"-16 x 3 1/8"	B8QH 1108-A L.H.

1109 HUB ASSY. - REAR

REAR HUB STAMPING NUMBER CROSS-REFERENCE

FOR MODEL USAGE REFER TO PAGE 27

ALSO SEE IDENTIFICATION CHART ON PAGE 25

STAMPED NUMBER	PART NUMBER	STAMPED NUMBER	PART NUMBER
D 680	C1TZ 1109-A	R 8690	C2TZ 1109-D
W 985	C1TT 1109-A	R 20-149 E	B8QH 1109-B
V 1114	C2TZ 1109-A	R 22-101 B	C2TZ 1109-B
R 20-58 A	B6Q 1109-B	R 22-149 D	B8QH 1109-C
R 20-59 A	B6Q 1109-A	E 54037	*C4TZ 1109-A Replaced by C4TZ 1109-B
R 20-60 A	B6QH 1109-A	85111	C3TZ 1109-B
R 20-65 A	B7QH 1109-A	86432	C3TZ 1109-B
R 22-65 A	B7QH 1109-B	90063	C7TZ 1109-B
R 8596	C3TZ 1109-E		



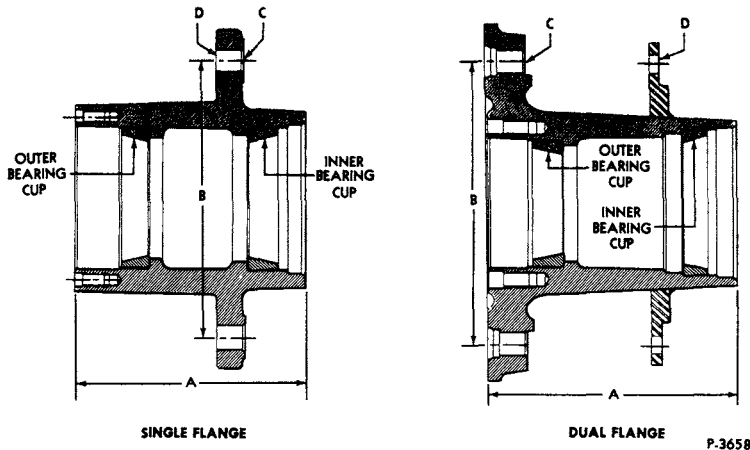
BUY IT NOW!

Click Here To Order



1109 - continued

REAR HUBS for DISC WHEELS



HUB IDENTIFICATION CHART

PART NUMBER	A Length	B Bolt Circle	BEARING CUPS							
			C BOLT HOLES		D BOLT HOLES		INNER		OUTER	
			No.	Diameter	No.	Diameter	Part Number	Stamped No.	Part Number	Stamped No.
B1D 1109-A	5 63/64"	6 1/2"	8	39/64"	3	3/8"-16	91D 1243	18720	91D 1243	18720
B4J 1109-A	5 63/64"	6 1/2"	8	39/64"	3	3/8"-16	B6J 1243-A	362-A	61 1239	354-A
C3TZ 1109-G	6 7/16"	7 1/4"	6	5/8"			TCAA 1243-A	382-A	B6J 1243-A	362-A
TEAA 1109-B	7"	8"	5	25/32"	3	1/2"-13	B6T 1243-A	3920	BB 1239-A	453-X
C5TZ 1109-T	7"	8 3/4"	6	25/32"			B6T 1243-A	3920	BB 1239-A	453-X
C1TT 1109-A	7 5/16"	11 1/4"	10	25/32"			B8QH 4222-D	653	B9TT 1202-A	HM 212011
C1TZ 1109-A	7 13/32"	11 1/4"	10	31/32"	5	1/2"-13	B6Q 1243-A	493	B6T 1243-A	3920
C4TZ 1109-B	7 7/16"	8 3/4"	6	25/32"			B4Q 1243-A	33462	B6T 1243-A	3920
C0TT 1109-A	7 29/64"	8 3/4"	6	25/32"	3	1/2"-13	B4Q 1243-A	33462	B6T 1243-A	3920
B5Q 1109-A	7 1/2"	10"	8	25/32"	4	1/2"-13	B6Q 1243-A	493	B6T 1243-A	3920
B3QH 1109-A	8 13/16"	11 1/4"	10	25/32"			TUAA 1243-A	592-A	TUAA 1239-A	572
C5TZ 1109-L	8 13/16"	11 1/4"	10	25/32"			TUAA 1243-A	592-A	TUAA 1239-A	572
C5TZ 1109-M	8 13/16"	11 1/4"	10	982"			TUAA 1243-A	592-A	TUAA 1239-A	572
7EQH 1109-B	9 5/8"	10"	8	25/32"	4	1/2"-13	7EQH 1243	47620	7EQH 1239	39520
B5QH 1109-A	9 5/8"	11 1/4"	10	25/32"	5	1/2"-13	7EQH 1243	47620	7EQH 1239	39520
C5TZ 1109-N	9 5/8"	11 1/4"	10	25/32"			7EQH 1243	47620	7EQH 1239	39520
B8QH 1109-A	10 3/4"	11 1/4"	10	25/32"			B8QH 1243-A	752	B8QH 1239-A	742

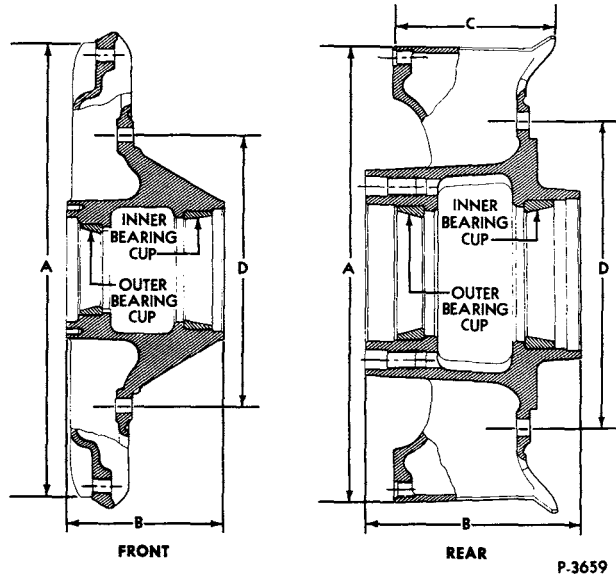
100% SATISFACTION GUARANTEED

BUY IT NOW!

Click Here To Order

1109 - continued

FRONT and REAR HUB - SPOKE TYPE
For front hubs for disc wheels refer to Group 1104



HUB IDENTIFICATION CHART

PART NUMBER	SPOKES	A	B	C	D	BEARING CUPS			
						INNER		OUTER	
						DIAMETER	LENGTH	RIM WIDTH	BOLT CIRCLE
FRONT HUB - SPOKE TYPE									
B6Q 1014-A	5	19 3/8"	5 1/2"		11"	9N 4222	3720	7EQ 1217	2720
B6Q 1014-B	5	19 3/8"	5 3/8"		11"	TGAA 1202-A	45220	7EQ 1217	2720
B7QH 1014-A	5	19 3/8"	6 9/16"		11"	7EQH 1239	39520	81T 1202	3525
B7QH 1014-B	5	21 3/8"	6 9/16"		11"	7EQH 1239	39520	81T 1202	3525
B7QH 1014-C	5	19 3/8"	6 15/32"		11"	B5QH 1202-B	553-X	9N 4222	3720
B9TT 1014-D	5	21 3/8"	6 1/2"		11"	B9TT 1202-A	HM 212011	9N 4222	3720
*C7TZ 1014-G	5	19 3/8"	6 15/32"		11"	B9TT 1202-A	HM 212011	9N 4222	3720
C0TT 1014-A	5	21 3/8"	5 3/8"		11"	TGAA 1202-A	45220	7EQ 1217	2720
C3TZ 1014-A	5					9N 4222	3720	C3TZ 1202-A	25820
C3TZ 1014-B	5	21 3/8"	5 3/8"		11"	TGAA 1202-A	45220	C3TZ 1202-A	25820
C3TZ 1014-C	5	19 3/8"	5 3/8"		11"	TGAA 1202-A	45220	C3TZ 1202-A	25820
C3TZ 1014-E	5	18 9/16"	5 3/16"	20" x 8"	11"	C3TZ 1202-B	25520	B5A 1202-A	67010
C4TZ 1014-E	5	19 3/8"	6 23/32"		11"	B8QH 1243-A	752	B9TT 1202-A	HM212011
B8QH 1014-A	6	19 3/8"	8"	22" x 7.5"	11"	B8QH 1202-A	6320	B8QH 1217-A	532-A
B8QH 1014-B	6	21 3/8"	8"		11"	B8QH 1202-A	6320	B8QH 1217-A	532-A
REAR HUB - SPOKE TYPE									
B8Q 1109-A	5	18 35/64"	7 13/32"	6 3/4"	12 1/2"	B6Q 1243-A	493	B6T 1243-A	3920
B6Q 1109-B	5	18 35/64"	7 29/64"	6 3/4"	12 1/2"	B4Q 1243-A	33462	B6T 1243-A	3920
B6QH 1109-A	5	19 3/8"	9 5/8"	6 3/4"	12 1/2"	7EQH 1243	47620	7EQH 1239	39520
B7QH 1109-A	5	18 35/64"	8 13/16"	6 3/4"	12 1/2"	TUAA 1243-A	592-A	TUAA 1239-A	572
B7QH 1109-B	5	20 1/2"	8 13/16"	6 3/4"	12 1/2"	TUAA 1243-A	592-A	TUAA 1239-A	572
C2TZ 1109-D	5	18 35/64"	7 29/64"	6 3/4"	12 1/2"	B4Q 1243-A	33462	B6T 1243-A	3920
C3TZ 1109-E	5	18 9/16"	9 7/16"	6 9/16"	12 1/2"	7EQH 1243	47620	7EQH 1239	39520
B8QH 1109-B	6	18 35/64"	10 3/4"	7 3/32"	12 1/2"	B8QH 1243-A	752	B8QH 1239-A	742
B8QH 1109-C	6	20 1/2"	10 3/4"	7 3/32"	12 1/2"	B8QH 1243-A	752	B8QH 1239-A	742
*TUAA 1109-D	6	20 1/2"	8 13/16"	7 3/32"	12 1/2"	TUAA 1243-A	592-A	TUAA 1239-A	572
ryb B3TZ 1113-B & D									



BUY IT NOW!

Click Here To Order



ter Drive

1109 - continued

HOW TO UTILIZE REAR HUB, DRUM & RELATED PARTS CHARTS

1. Determine rear axle capacity of the truck model for which the part is desired.
2. Select appropriate parts list number from Application Chart shown on pages 27 thru 29
3. Refer to Parts List Chart (starting on page 30) for the following items shown on adjacent pages:

1109	Hub assy. -rear	1175	Retainer-rear wheel grease
1126	Drum-rear brake	1181	Oil seal assy. -rear axle
1107-8	Hub bolt	1243	Cup-rear wheel inner bearing
1118-9	Hub bolt	1239	Cup-rear wheel outer bearing
1124	Washer-rear wheel bearing nut lock	1244	Cone & roller assy. -rear wheel inner bearing
1174	Wiper assy. -rear axle shaft	1240	Cone & roller assy. -rear wheel outer bearing

4. For dimensions, identification numbers, etc., and for attaching parts, refer to appropriate groups listed in Section 11.

MODEL APPLICATION CHART FOR REAR HUBS, DRUMS & RELATED PARTS

THIS CHART IS TO BE USED WITH THE PARTS LIST CHART ON PAGES 30 THRU 33

FOR FRONT HUBS, DRUMS, ETC. REFER TO PAGE 18 OF THIS SECTION

REAR AXLE CAPACITY	MODEL	BRAKE SIZE	YEAR	WHEEL		VENDOR CODE @	PARTS LIST NO.*
				†SPOKE	‡DISC		
2300 lb.	E100	10 x 1.75	61/		5		1
2700 lb., 3050 lb.	E100	10 x 2.50	63/		5		2
3300 lb., 3600 lb.	F100 (4 x 2)	11 x 1.75	57/		5		3
	F100 (4 x 4)	11 x 1.75	59		5		4
			60/		5		5
5000 lb., 5200 lb.	P100	11 x 1.75	60/		5		6
	F250 (4 x 2)	12.12 x 2.0	57/		8		7
	F250 (4 x 4)	12.12 x 2.0	59		8		9
7200 lb., 7400 lb.			60/		8		10
	P350	12.12 x 2.0	57/		8		11
	F350	13 x 2.50	57/62		6		12
11000 lb.			63/		6		14
	P350/400	13 x 2.50	57/62		6		15
		13 x 2.50	63/		6		17
11000 lb.	P500	14.125 x 3.50	57/		5		18
11000 lb., 13000 lb.	B-F-N500, C500/550	15 x 4.0	57/		5		19

@ D-Dayton G-Gunite K-Kelsey Hayes B-Budd R-Rockwell † Size shown †† Number of studs shown

* Parts List start on Page 30



BUY IT NOW!

Click Here To Order



1109 - continued

MODEL APPLICATION CHART FOR REAR HUBS, DRUMS & RELATED PARTS

REAR AXLE CAPACITY	MODEL	BRAKE SIZE	YEAR	WHEEL		VENDOR CODE @	PARTS LIST NO.*		
				↑SPOKE↑	↑DISC				
15000 lb. (22000 lb.- Tandem)	C-F-N500/600, B500/700, T700	15 x 4.0	57/62	20"			21		
			63/	20"		D-G	22		
			57/62		6		23		
				63/		6	D	24	
		15 x 4.50		57/62	20"				26
					20"				27
63/				6		D	28		
57/62				6		D	29		
16M, 17M, 17.5M, 28M & 30M lbs.	F600/800, B-C-N600/750, HT850/950, NT850, CT-T700/850	15 x 5.0	57/	20"			31		
			57/62		8		34		
			63/		6	B	35		
				61/		10	R	36	
		16.50 x 4.50		57/	20"				42
					20"		8		45
57/62				6	B	46			
63/				10	R	47			
18000 lb. (dead axle)	NT850, HT850/950	15 x 6.0	63/	20"		D	49		
			63/		10	R	50		
		16.50 x 6.0	61/	20"		D	51		
		61/		10	R	52			
18000 lb., 18500 lb., 34000 lb. (exc. SLDD & Shear ride suspension)	B-C-F-N700/850, F-N950-D, H-N1000-D, HT850/950, NT850, T800/850, CT800/950	15 x 6.0	63/	20"		D	53		
			63/	22"		D	56		
			63/		10	R	59		
		15 x 7.0		63/	20"		D	61	
				63/	22"		D	64	
				63/		10	R	67	
		For 16.50 x 5.50 see 34000 lb.							
		16 x 5.0		57/	20"				69
				62/	22"		G	179	
				57/62		8		70	
57/				10		71			
16.50 x 6.0		57/60	20"				72		
		61/	20"			73			
		57/62		8		76			
		57/		10	R	77			
21M, 22M, 23M & 38M lbs. (except SQDD or SQHD)	C-F-N800/1000, HT850/950, NT850/950, CT-T950	16 x 6.0 (38M only)	63/	20"		G-K	82		
			63/	22"		G-K	85		
			63/		10	R	88		
		15 x 7.0		63/	20"		G-K	91	
				63/	22"		G-K	94	
				63/		10	R	97	
		63/		10		99			

@ D-Dayton G-Gunite K-Kelsey Hayes B-Budd R-Rockwell † Size shown †† Number of studs shown



BUY IT NOW!

Click Here To Order



1109 - continued

MODEL APPLICATION CHART FOR REAR HUBS, DRUMS & RELATED PARTS

REAR AXLE CAPACITY	M O D E L	BRAKE SIZE	YEAR	WHEEL		VENDOR CODE @	PARTS LIST NO. *	
				† SPOKE	†† DISC			
21M, 22M, 23M & 38M lbs. (except SQDD or SQHD)	C-F-N800/1000, HT850/950, NT850/950, CT-T950	16 x 6.0(21M, 22M only)	57/58	20"			101	
			59	20"		G-K	168	
			60/	20"			102	
			57/58	22"			104	
			59	22"		G-K	171	
			60/	22"			105	
			57/		10		107	
			62/		10		109	
			16.50x6.0(21M, 22M, 38M only)	57/58	20"		G-K	110
			59	20"		G-K	170	
			60/	20"		G-K	111	
			57/58	22"			114	
			59	22"		G-K	169	
			16.50 x 6.0	60/	22"		G-K	115
			57/59		10		118	
60/		10	B	119				
62/		10	R	121				
21M, 22M, 23M & 38M lbs.	C-F-N800/1000, HT850/950	16.50 x 7.0	57/	20"		G	123	
			57/	22"		G	127	
			57/		10		131	
			62/		10		133	
For 22000 lb. Tandem axle see 15000 lb.								
For 28000 lb. see 16000 lb. and 17000 lb.								
29000 lb.	C-F-N1000/1100	16.50 x 7.0	57/	20"			135	
			57/	22"			136	
			57/		10		137	
For 30000 lb. see 16000 lb. & 17000 lb.								
For 34000 lb. (exc. SLDD & Shear ride suspension)- see 18000 lb. & 18500 lb.								
34000 lb. & SLDD	T800/850, CT800/850, HT850/950, NT850	16.50 x 5.50	57/	20"		G-K	138	
			63/	22"		G-K	139	
			57/62		8		140	
			57/		10		141	
38000 lb. (SQDD or DQHD)	T950	16.50 x 6.0	57/	20"		G-K	144	
			57/	22"		G-K	145	
			57/		10	B	146	
42000 lb., 44000 lb.	T950	16.50 x 7.0	62/	20"		G-K	147	
			62/	22"		G-K	148	
			62/		10	B	149	
50M, 55M, 60M, 65M lbs.- (SUDD & SFDD)	T950	16.50 x 7.0	62/	20"		G-K	150	
			62/	22"		G-K	151	
			62/		10	R	152	

@ D-Dayton G-Gunite K-Kelsey Hayes B-Budd R-Rockwell † Size shown †† Number of studs shown

100% SATISFACTION GUARANTEED

BUY IT NOW!

Click Here To Order

PayPal American Express Discover MasterCard VISA

1109 - continued

PARTS LISTS CHART FOR REAR HUBS, DRUMS & RELATED PARTS

(SEE INSTRUCTIONS FOR IDENTIFYING REAR HUBS, DRUMS & RELATED PARTS ON PAGE 27 OF THIS SECTION)
(CHART CONTINUED ON NEXT PAGE - SEE RELATED LINE NUMBER)

PARTS LIST NO.	REAR HUB (2 REQUIRED)	REAR DRUM (2 REQUIRED)	HUB BOLTS		WASHER (2 REQUIRED)	WIPER (2 REQUIRED)
			R. H. (AS REQ'D.)	L. H. (AS REQ'D.)		
1		C1UU 1126-A	C1AZ 1107-A	C1AZ 1107-A		
2		C3OZ 1126-A	C1AZ 1107-A	C1AZ 1107-A		
3		C4TZ 1126-A	A9AZ 1107-B	A9AZ 1107-B		
4		C4TZ 1126-A	A9AZ 1107-B	A9AZ 1107-B		
5		C4TZ 1126-A	A9AZ 1107-B	A9AZ 1107-B		
6		C4TZ 1126-A	C1AZ 1107-A	C1AZ 1107-A		
7	B1D 1109-A	B6D 1126-A	8D 1107-A	8D 1107-A	61 1124	
9	B1D 1109-A	B6D 1126-A	8D 1107-A	8D 1107-A	61 1124	
10	B1D 1109-A	C0TT 1126-A	8D 1107-A	8D 1107-A	61 1124	
11	B4J 1109-A	B6D 1126-A	8D 1107-A	8D 1107-A	61 1124	
12	C3TZ 1109-G	C2TZ 1126-D	B9TT 1118-A	B9TT 1119-A	B6Y 1124-A	
14	C3TZ 1109-G	C2TZ 1126-D	B9TT 1118-A	B9TT 1119-A	B6Y 1124-A	
15	C3TZ 1109-G	C2TZ 1126-D	B9TT 1118-A	B9TT 1119-A	B6Y 1124-A	
17	C3TZ 1109-G	C2TZ 1126-D	B9TT 1118-A	B9TT 1119-A	B6Y 1124-A	
18	TEAA 1109-B	TDAA 1126-A	TDAA 1118-A	TDAA 1119-A	01T 1124	
19	TEAA 1109-B	TEAA 1126-A	TDAA 1118-A	TDAA 1119-A	01T 1124	
21	B6Q 1109-B	B6Q 1126-C			B4T 1124-A	B6Q 1174-A
22	C2TZ 1109-D	B6Q 1126-C	358688-S8	358688-S8	B4T 1124-A	B6Q 1174-A
23	C0TT 1109-A	B9TT 1126-B	TDAA 1118-A	TDAA 1119-A	B4T 1124-A	B6Q 1174-A
24	C4TZ 1109-B	C4TZ 1126-C	#C4TZ 1107-E	#C4TZ 1107-F	B4T 1124-A	B6Q 1174-A
26	B6Q 1109-B	B7Q 1126-A	358708-S	358708-S	B4T 1124-A	B6Q 1174-A
27	C2TZ 1109-D	B7Q 1126-A	358688-S8	358688-S8	B4T 1124-A	B6Q 1174-A
28	C0TT 1109-A	B7Q 1126-B	TDAA 1118-A	TDAA 1119-A	B4T 1124-A	B6Q 1174-A
29	C4TZ 1109-B	C4TZ 1126-B	#C4TZ 1107-E	#C4TZ 1107-F	B4T 1124-A	B6Q 1174-A
31	B6Q 1109-A	B6Q 1126-A			7EQ 1124	7EQ 1174
34	B5Q 1109-A	8Q 1126-A	7EQ 1118	7EQ 1119	7EQ 1124	7EQ 1174
35	C3TZ 1109-B	C3TZ 1126-E	#C4TZ 1107-E	#C4TZ 1107-F	7EQ 1124	7EQ 1174
36	C1TZ 1109-A	C1TZ 1126-A	C1TZ 1118-A	C1TZ 1119-A	7EQ 1124	7EQ 1174
42	B6Q 1109-A	B6Q 1126-D	358703-S8	358703-S8	7EQ 1124	7EQ 1174
45	B5Q 1109-A	B6Q 1126-B	B6Q 1118-A	B6Q 1119-A	7EQ 1124	7EQ 1174
46	C3TZ 1109-B	C3TZ 1126-F	#C4TZ 1107-E	#C4TZ 1107-F	7EQ 1124	7EQ 1174
47	C1TZ 1109-A	C1TZ 1126-B	C1TZ 1118-A	C1TZ 1119-A	7EQ 1124	7EQ 1174
49		C3TZ 1126-N			C1TT 1124-A	
50	C1TT 1109-A	C3TZ 1126-L	7EQH 1118	7EQH 1119	C1TT 1124-A	
51		C1TT 1126-B			C1TT 1124-A	
52	C1TT 1109-A	C1TT 1126-C	7EQH 1118	7EQH 1119	C1TT 1124-A	
53	C3TZ 1109-E	C3TZ 1126-M	358703-S8	358703-S8	7EQH 1124	B7TZ 1174-A
56	B6QH 1109-A	C3TZ 1126-M	8Q 1151	8Q 1151	7EQH 1124	B7TZ 1174-A
59	B5QH 1109-A	C3TZ 1126-J	7EQH 1118	7EQH 1119	7EQH 1124	B7TZ 1174-A
61	C3TZ 1109-E	C3TZ 1126-R	358703-S8	358703-S8	7EQH 1124	B7TZ 1174-A
67	B5QH 1109-A	C3TZ 1126-G	7EQH 1118	7EQH 1119	7EQH 1124	B7TZ 1174-A
69	B6QH 1109-A	B6QH 1126-G			7EQH 1124	B7TZ 1174-A
70	7EQH 1109-B	7EQH 1126	7EQH 1118	7EQH 1119	7EQH 1124	B7TZ 1174-A
71	B5QH 1109-A	B5QH 1126-B	7EQH 1118	7EQH 1119	7EQH 1124	B7TZ 1174-A
72	B6QH 1109-A	B7TZ 1126-A			7EQH 1124	B7TZ 1174-A
73	B6QH 1109-A	C0TT 1126-C	358703-S8	358703-S8	7EQH 1124	B7TZ 1174-A
76	7EQH 1109-B	B7QH 1126-C	7EQH 1118	7EQH 1119	7EQH 1124	B7TZ 1174-A
77	B5QH 1109-A	B7QH 1126-D	7EQH 1118	7EQH 1119	7EQH 1124	B7TZ 1174-A
82	B7QH 1109-A	C3TZ 1126-S	358703-S8	358703-S8	TUAA 1124-A	
85	B7QH 1109-B	C3TZ 1126-S	358703-S8	358703-S8	TUAA 1124-A	
		1126-H	7EQH 1118	7EQH 1119	TUAA 1124-A	

Use C3TZ 1118-A (R. H. & L. H.) and C3TZ 1120-A (R. H. & L. H.) for pilot mounted wheels



BUY IT NOW!

Click Here To Order



1109 - continued

PARTS LISTS CHART FOR REAR HUBS, DRUMS & RELATED PARTS

(SEE INSTRUCTIONS FOR IDENTIFYING REAR HUBS, DRUMS & RELATED PARTS ON PAGE 27 OF THIS SECTION)
(CHART CONTINUED FROM PREVIOUS PAGE - SEE RELATED LINE NUMBER)

PARTS LIST NO.	RETAINER (2 REQ'D.)	OIL SEAL (2 REQ'D.)	BEARING CUPS		BEARINGS	
			INNER (2 REQ'D.)	OUTER (2 REQ'D.)	INNER (2 REQ'D.)	OUTER (2 REQ'D.)
1					D0AZ 1225-A	
2					D0AZ 1225-A	
3		C6TZ 1181-A			C9AZ 1225-A	
4					C9AZ 1225-A	
5		C6TZ 1181-A			C9AZ 1225-A	
6						
7	A8TZ 1175-B		91D 1243	91D 1243	B6D 1244-A	8D 1240
9	A8TZ 1175-B		91D 1243	91D 1243	B6D 1244-A	8D 1240
10	A8TZ 1175-B		91D 1243	91D 1243	B6D 1244-A	8D 1240
11	B4J 1175-A		B6J 1243-A	61 1239	B6J 1244-A	61 1240
12	B2TZ 1175-A		TCAA 1243-A	B6J 1243-A	TCAA 1244-A	B6J 1244-A
14	B2TZ 1175-A		TCAA 1243-A	B6J 1243-A	TCAA 1244-A	B6J 1244-A
15	B2TZ 1175-A		TCAA 1243-A	B6J 1243-A	TCAA 1244-A	B6J 1244-A
17	B2TZ 1175-A		TCAA 1243-A	B6J 1243-A	TCAA 1244-A	B6J 1244-A
18	B6J 1175-A		B6T 1243-A	BB 1239-A	B6T 1244-B	BB 1240-A
19	B6J 1175-A		B6T 1243-A	BB 1239-A	B6T 1244-B	BB 1240-A
21	B6Q 1175-A	B6T 1181-A	B4Q 1243-A	B6T 1243-A	♣	B6T 1240-A
22	B6Q 1175-A	B6T 1181-A	B4Q 1243-A	B6T 1243-A	♣	B6T 1240-A
23	B6Q 1175-A	B6T 1181-A	B4Q 1243-A	B6T 1243-A	♣	B6T 1240-A
24	B6Q 1175-A	B6T 1181-A	B4Q 1243-A	B6T 1243-A	♣	B6T 1240-A
26	B6Q 1175-A	B6T 1181-A	B4Q 1243-A	B6T 1243-A	♣	B6T 1240-A
27	B6Q 1175-A	B6T 1181-A	B4Q 1243-A	B6T 1243-A	♣	B6T 1240-A
28	B6Q 1175-A	B6T 1181-A	B4Q 1243-A	B6T 1243-A	♣	B6T 1240-A
29	B6Q 1175-A	B6T 1181-A	B4Q 1243-A	B6T 1243-A	♣	B6T 1240-A
31	7EQ 1175-A	B9T 1181-A	B6Q 1243-A	B6T 1243-A	7EQ 1244	B6T 1244-B
34	7EQ 1175-A	B9T 1181-A	B6Q 1243-A	B6T 1243-A	7EQ 1244	B6T 1244-B
35	7EQ 1175-A	B9T 1181-A	B6Q 1243-A	B6T 1243-A	7EQ 1244	B6T 1244-B
36	7EQ 1175-A	B9T 1181-A	B6Q 1243-A	B6T 1243-A	7EQ 1244	B6T 1244-B
42	7EQ 1175-A	B9T 1181-A	B6Q 1243-A	B6T 1243-A	7EQ 1244	B6T 1244-B
45	7EQ 1175-A	B9T 1181-A	B6Q 1243-A	B6T 1243-A	7EQ 1244	B6T 1244-B
46	7EQ 1175-A	B9T 1181-A	B6Q 1243-A	B6T 1243-A	7EQ 1244	B6T 1244-B
47	7EQ 1175-A	B9T 1181-A	B6Q 1243-A	B6T 1243-A	7EQ 1244	B6T 1244-B
49	C1TT 1175-A	C1TT 1183-A	B8QH 4222-D	B9TT 1202-A	C1TT 1244-A	C1TT 1240-A
50	C1TT 1175-A	C1TT 1183-A	B8QH 4222-D	B9TT 1202-A	C1TT 1244-A	C1TT 1240-A
51	C1TT 1175-A	C1TT 1183-A	B8QH 4222-D	B9TT 1202-A	C1TT 1244-A	C1TT 1240-A
52	C1TT 1175-A	C1TT 1183-A	B3QH 4222-D	B9TT 1202-A	C1TT 1244-A	C1TT 1240-A
53	7EQH 1175	8QH 1181	7EQH 1243	7EQH 1239	7EQH 1244	7EQH 1240
56	7EQH 1175	8QH 1181	7EQH 1243	7EQH 1239	7EQH 1244	7EQH 1240
59	7EQH 1175	8QH 1181	7EQH 1243	7EQH 1239	7EQH 1244	7EQH 1240
61	7EQH 1175	8QH 1181	7EQH 1243	7EQH 1239	7EQH 1244	7EQH 1240
67	7EQH 1175	8QH 1181	7EQH 1243	7EQH 1239	7EQH 1244	7EQH 1240
69	7EQH 1175	8QH 1181	7EQH 1243	7EQH 1239	7EQH 1244	7EQH 1240
70	7EQH 1175	8QH 1181	7EQH 1243	7EQH 1239	7EQH 1244	7EQH 1240
71	7EQH 1175	8QH 1181	7EQH 1243	7EQH 1239	7EQH 1244	7EQH 1240
72	7EQH 1175	8QH 1181	7EQH 1243	7EQH 1239	7EQH 1244	7EQH 1240
73	7EQH 1175	8QH 1181	7EQH 1243	7EQH 1239	7EQH 1244	7EQH 1240
76	7EQH 1175	8QH 1181	7EQH 1243	7EQH 1239	7EQH 1244	7EQH 1240
77	7EQH 1175	8QH 1181	7EQH 1243	7EQH 1239	7EQH 1244	7EQH 1240
82	TUAA 1175-A	TUAA 1181-A	TUAA 1243-A	TUAA 1239-A	TUAA 1244-A	TUAA 1240-A
85	TUAA 1175-A	TUAA 1181-A	TUAA 1243-A	TUAA 1239-A	TUAA 1244-A	TUAA 1240-A
		TUAA 1181-A	TUAA 1243-A	TUAA 1239-A	TUAA 1244-A	TUAA 1240-A

and B6T 1244-A with 22M axle



BUY IT NOW!

Click Here To Order



1109 - continued

PARTS LISTS CHART FOR REAR HUBS, DRUMS & RELATED PARTS

(SEE INSTRUCTIONS FOR IDENTIFYING REAR HUBS, DRUMS & RELATED PARTS ON PAGE 27 OF THIS SECTION)
(CHAR: CONTINUED ON NEXT PAGE - SEE RELATED LINE NUMBER)

PARTS LIST NO.	REAR HUB (2 REQUIRED)	REAR DRUM (2 REQUIRED)	HUB BOLTS		WASHER (2 REQUIRED)	WIPER (2 REQUIRED)
			R. H. (AS REQ'D.)	L. H. (AS REQ'D.)		
91	B7QH 1109-A	C3TZ 1126-R			&	
94	B7QH 1109-B	C3TZ 1126-R			&	
97	B3QH 1109-A	C3TZ 1126-G	7EQH 1118	7EQH 1119	&	
99	*C2TZ 1109-A	C3TZ 1126-K	%C2TZ 1118-A	%C2TZ 1119-A	&	
101	B3TZ 1113-A	B7QH 1126-A			&	
102	B7QH 1109-A	B7QH 1126-A	C5TZ 1151-A	C5TZ 1151-A	&	
104	B3TZ 1113-D	B7QH 1126-A			&	
105	B7QH 1109-B	B7QH 1126-A	C5TZ 1151-A	C5TZ 1151-A	&	
107	B3QH 1109-A	TUAA 1126-B	TUAA 1118-A	TUAA 1119-A	&	
109	*C2TZ 1109-A	C2TZ 1126-B	%C2TZ 1118-A	%C2TZ 1119-A	&	
110	B3TZ 1113-C	B7QH 1126-B			&	
111	B7QH 1109-A	B8QH 1126-E	358671-S	358671-S	&	
114	B3TZ 1113-B	B7QH 1126-B			&	
115	B7QH 1109-B	B8QH 1126-E	358703-S8	358703-S8	&	
118	B3QH 1109-A	B3QH 1126-C	TUAA 1118-A	TUAA 1119-A	&	
119	B3QH 1109-A	B8QH 1126-F	TUAA 1118-A	TUAA 1119-A	&	
121	*C2TZ 1109-A	C2TZ 1126-C	%C2TZ 1118-A	%C2TZ 1119-A	&	
123	B7QH 1109-A	B8QH 1126-C	358703-S8	358703-S8	&	
127	B7QH 1109-B	B8QH 1126-C	358703-S8	358703-S8	&	
131	B3QH 1109-A	B8QH 1126-B	TUAA 1118-A	TUAA 1119-A	&	
135	B8QH 1109-B	B8QH 1126-D	358703-S8	358703-S8	B8QH 1124-B	B9TZ 1174-B
136	B8QH 1109-C	B3QH 1126-D	358703-S8	358703-S8	B8QH 1124-B	B9TZ 1174-B
137	B8QH 1109-A	B8QH 1126-A	B8QH 1118-A	B8QH 1119-A	B8QH 1124-B	B9TZ 1174-B
138	B6QH 1109-A	B6QH 1126-F	358671-S	358671-S	7EQH 1124	B7TZ 1174-A
139	C2TZ 1109-B	B6QH 1126-D	8Q 1151	8Q 1151	7EQH 1124	B7TZ 1174-A
140	7EQH 1109-B	B6QH 1126-B	7EQH 1118	7EQH 1119	7EQH 1124	B7TZ 1174-A
141	B5QH 1109-A	B6QH 1126-E	7EQH 1118	7EQH 1119	7EQH 1124	B7TZ 1174-A
144	B7QH 1109-A	B8QH 1126-E	358671-S	358671-S	TUAA 1124-A	
145	B7QH 1109-B	B3QH 1126-E	358671-S	358671-S	TUAA 1124-A	
146	B3QH 1109-A	B8QH 1126-F	TUAA 1118-A	TUAA 1119-A	TUAA 1124-A	
147	B7QH 1109-A	B8QH 1126-C	358671-S	358671-S	B8QH 1124-A	
148	B7QH 1109-B	B8QH 1126-A	C5TZ 1151-A	C5TZ 1151-A	B8QH 1124-A	
149	B3QH 1109-A	B8QH 1126-B	TUAA 1118-A	TUAA 1119-A	B8QH 1124-A	
150	B8QH 1109-B	B8QH 1126-D	8Q 1151	8Q 1151	B8QH 1124-B	B8QH 1174-A
151	B8QH 1109-C	B8QH 1126-D	8Q 1151	8Q 1151	B8QH 1124-B	B8QH 1174-A
152	B8QH 1109-A	B8QH 1126-A	7EQH 1118	7EQH 1119	B3QH 1124-B	B8QH 1174-A
168	B3TZ 1113-A	B7QH 1126-A			&	
169	B3TZ 1113-B	B7QH 1126-B			&	
170	B3TZ 1113-C	B7QH 1126-B			&	
171	B3TZ 1113-D	B7QH 1126-A			&	
179	C2TZ 1113-B	B6QH 1126-G			7EQH 1124	B7TZ 1174-A

YEAR	MODEL	DESCRIPTION	QTY.	PART NUMBER
57/	B-C-F-N700/850, T750/850	Nut-1/2"-20	AR	33846-S8(M69)
		Lockwasher-1/2"	AR	34809-S8(X68)
57/	T700	Stud (axle shaft to hub)-7/16"-14 & 7/16"-20 x 2 3/16"-with 15" x 4" & 4 1/2 brakes	32	358704-S(WW45)
		Nut-7/16"-20	AR	351025-S7(MM23)
		Lockwasher-7/16"	AR	34808-S8(X67)
		Stud(clamp to hub)-5/8"-11 & 5/8"-11 x 2 5/8"	AR	358671-S8-B(WW62)
		Nut-5/8"-11	AR	356085-S8(MM14)
		Bolt(drum to hub)-1/2"-20 x 1 3/4"	AR	370114-S8(BB250)
		Nut-1/2"-20 hex.	AR	33846-S8(M69)

& Use TUAA 1124-A with 22M & 38M axles and B8QH 1124-A with 23M axle

% Use in conjunction with C2TZ 1118-B (stud) for aluminum hubs

* Aluminum



BUY IT NOW!

Click Here To Order



1109 - continued

PARTS LISTS CHART FOR REAR HUBS, DRUMS & RELATED PARTS

(SEE INSTRUCTIONS FOR IDENTIFYING REAR HUBS, DRUMS & RELATED PARTS ON PAGE 27 OF THIS SECTION)
(CHART CONTINUED FROM PREVIOUS PAGE - SEE RELATED LINE NUMBER)

PARTS LIST NO.	RETAINER (2 REQ'D.)	OIL SEAL (2 REQ'D.)	BEARING CUPS		BEARINGS	
			INNER (2 REQ'D.)	OUTER (2 REQ'D.)	INNER (2 REQ'D.)	OUTER (2 REQ'D.)
91	◇	+	TUAA 1243-A	TUAA 1239-A	+	+
94	◇	+	TUAA 1243-A	TUAA 1239-A	+	+
97	◇	+	TUAA 1243-A	TUAA 1239-A	+	+
99	◇	+	TUAA 1243-A	TUAA 1239-A	+	+
101	◇	+	TUAA 1243-A	TUAA 1239-A	+	+
102	◇	+	TUAA 1243-A	TUAA 1239-A	+	+
104	◇	+	TUAA 1243-A	TUAA 1239-A	+	+
105	◇	+	TUAA 1243-A	TUAA 1239-A	+	+
107	◇	+	TUAA 1243-A	TUAA 1239-A	+	+
109	◇	+	TUAA 1243-A	TUAA 1239-A	+	+
110	◇	+	TUAA 1243-A	TUAA 1239-A	+	+
111	◇	+	TUAA 1243-A	TUAA 1239-A	+	+
114	◇	+	TUAA 1243-A	TUAA 1239-A	+	+
115	◇	+	TUAA 1243-A	TUAA 1239-A	+	+
118	◇	+	TUAA 1243-A	TUAA 1239-A	+	+
119	◇	+	TUAA 1243-A	TUAA 1239-A	+	+
121	◇	+	TUAA 1243-A	TUAA 1239-A	+	+
123	◇	+	TUAA 1243-A	TUAA 1239-A	+	+
127	◇	+	TUAA 1243-A	TUAA 1239-A	+	+
131	◇	+	TUAA 1243-A	TUAA 1239-A	+	+
135	B8QH 1175-B	B8QH 1181-B	B8QH 1243-A	B8QH 1239-A	B8QH 1244-B	B8QH 1240-A
136	B8QH 1175-B	B8QH 1181-B	B8QH 1243-A	B8QH 1239-A	B8QH 1244-B	B8QH 1240-A
137	B8QH 1175-B	B8QH 1181-B	B8QH 1243-A	B8QH 1239-A	B8QH 1244-B	B8QH 1240-A
138	7EQH 1175	8QH 1181	7EQH 1243	7EQH 1239	7EQH 1244	7EQH 1240
139	7EQH 1175	8QH 1181	7EQH 1243	7EQH 1239	7EQH 1244	7EQH 1240
140	7EQH 1175	8QH 1181	7EQH 1243	7EQH 1239	7EQH 1244	7EQH 1240
141	7EQH 1175	8QH 1181	7EQH 1243	7EQH 1239	7EQH 1244	7EQH 1240
144	TUAA 1175-A	TUAA 1181-A	TUAA 1243-A	TUAA 1239-A	TUAA 1244-A	TUAA 1240-A
145	TUAA 1175-A	TUAA 1181-A	TUAA 1243-A	TUAA 1239-A	TUAA 1244-A	TUAA 1240-A
146	TUAA 1175-A	TUAA 1181-A	TUAA 1243-A	TUAA 1239-A	TUAA 1244-A	TUAA 1240-A
147	B8QH 1175-A	B8QH 1181-A	TUAA 1243-A	TUAA 1239-A	▲	B8QH 1240-B
148	B8QH 1175-A	B8QH 1181-A	TUAA 1243-A	TUAA 1239-A	▲	B8QH 1240-B
149	B8QH 1175-A	B8QH 1181-A	TUAA 1243-A	TUAA 1239-A	▲	B8QH 1240-B
150	B8QH 1175-B	B8QH 1181-B	B8QH 1243-A	B8QH 1239-A	B8QH 1244-B	B8QH 1240-A
151	B8QH 1175-B	B8QH 1181-B	B8QH 1243-A	B8QH 1239-A	B8QH 1244-B	B8QH 1240-A
152	B8QH 1175-B	B8QH 1181-B	B8QH 1243-A	B8QH 1239-A	B8QH 1244-B	B8QH 1240-A
168	◇	+	TUAA 1243-A	TUAA 1239-A	+	+
169	◇	+	TUAA 1243-A	TUAA 1239-A	+	+
170	◇	+	TUAA 1243-A	TUAA 1239-A	+	+
171	◇	+	TUAA 1243-A	TUAA 1239-A	+	+
179	7EQH 1175	B8QH 1181	7EQH 1243	7EQH 1239	7EQH 1244	7EQH 1240

YEAR	MODEL	DESCRIPTION	QTY.	PART NUMBER
57/58/	C-F900/1100, H950/1000 T950, HT850/950	Stud (axle shaft to hub)-3/4"-10 & 3/4"-16 x 3 3/4"	16 32	352480-AS(WW69)
		Nut-3/4"-16		34675-S8(M75)
		Lockwasher-3/4"		34853-S7(X77)
58/	C-F1100 (with spoke wheels)	Stud-5/8"-11 & 5/8"-18 x 2 15/16"	16	370723-S(WW65)
58/	C-F1100 (with disc wheels)	Stud-5/8"-11 & 5/8"-18 x 2 3/4"	16	370648-S(WW63)
		Nut-5/8"-18		33850-S8(M72)
		Lockwasher-5/8"		34811-S2(X71)
57/		Stud-5/8"-11 & 5/8"-11 x 2 5/8"		358671-S8B(WW62)
63/	F350, P350/400	Pin (wheel pilot)-5/16" x 1 1/2"	1	72292-S8(N76)
		Nut-1 1/16"-5/8"	AR	356085-S8(MM14)

◇ Use TUAA 1175-A with 22M & 38M axles & B8QH 1175-A with 23M axle

4 axles & B8QH 1181-A with 23M axle

A 1240-A (outer) with 22M & 38M axles and B8QH 1244-A (inner) &

e

les and C2TZ 1244-A with Eaton axles



BUY IT NOW!

Click Here To Order



1957-1963 FORD TRUCK

PARTS AND ACCESSORIES

ILLUSTRATIONS CATALOG

Autolite



BUY IT NOW!

PARTS DIVISION

Click Here To Order

COMPANY - DEARBORN, MICHIGAN

1970

QUICK REFERENCE INDEX - PAGE

GENERAL INFORMATION
MODEL IDENTIFICATION **II**

SECTION - MISCELLANEOUS
INSTRUMENT PANEL
& RELATED PARTS **1**

SECTIONS 10-26
WHEELS, BRAKES **12**

SECTIONS 30-35
FRONT AXLE, STEERING **179**

SECTIONS 40-42
REAR AXLE **228**

SECTIONS 46
DRIVE SHAFT
COUPLING SHAFT **271**

SECTIONS 50-55
FRAME, EXHAUST SYSTEM, SUSPENSION **280**

SECTIONS 60-60
ENGINE **346**

SECTIONS 70-75
MANUAL TRANSMISSION, CLUTCH **403**

SECTIONS A70-A76
AUTOMATIC TRANSMISSION **512**

SECTIONS T70-T75
TRANSMATIC
TRANSMISSION **529**

SECTIONS 80-85
COOLING, GRILLE **561**

SECTIONS 90-97
FUEL, CARBURETOR, ACCELERATOR **611**

SECTIONS 100-120
GENERATOR, ALTERNATOR
STARTER, DISTRIBUTOR **719**

SECTIONS 130-145
LAMPS, WIRING **773**

SECTIONS 160-166
FENDER, HOOD **818**

SECTIONS 174-197
AIR CONDITIONING,
HEATER, SHOCK ABSORBER,
WINDSHIELD WIPERS AND WASHERS **832**

BODY SECTIONS - DOOR AND WINDOWS
SEAT, SHEET METAL, EXTERIOR
MOULDING, INTERIOR TRIM **884**



MASTER PARTS AND ACCESSORIES ILLUSTRATION CATALOG

FORM AF-7698

AUTOLITE-FORD PARTS DIVISION

GENERAL INSTRUCTIONS

This Ford Truck Master Parts Catalog contains parts illustrations for Ford Trucks for Model Years 1957 through 1963.

For greater convenience this catalog is divided into specific sections, such as brakes, front axle, engine, transmission, etc. For example, FRONT AXLE appears in Section 30, REAR AXLE in Section 40, CARBURETORS in Section 95, etc.

A separate catalog which contains the text or descriptive information for the same model years is available as Form AF-7697. The "Text" catalog is divided into sections also and like parts are shown under similar section numbers in both the "Text" and "Illustration" Catalogs.

A listing of Ford basic or group numbers and their related section numbers appears in the General Information Section of the "Text" catalog, Form AF-7697.

Illustrations contain basic group numbers only; therefore, it is necessary to refer to the basic group within the "Text" catalog (Form AF-7697) listing for the complete applicable part number.

The driver's side is the left hand side of the vehicle and determines whether such parts as fenders, lamps, etc. are right hand or left hand.

Model year application is indicated by showing the first year followed by a diagonal line to indicate continued usage in all subsequent years until the insertion of the last year of usage, which will then be inserted after the diagonal line. If no diagonal line is shown the part is applicable only to the year shown.

Example:

- 57 indicates part used 1957 model year only.
- 57/60 indicates part used 1957 through 1960 model years.
- 57/ indicates part used 1957 through 1963 in this catalog and for subsequent years as indicated in the 1964/ catalog (Form AF-7636-B)

For Rating or Warranty Plate data, Truck Series and Body Type Codes refer to the General Information Section of the "Text" catalog, Form AF-7697. The various Body Types are illustrated on General Information Pages V thru X of this catalog.

**BUY IT NOW!****Click Here To Order**

PROCEDURE FOR USING CATALOG

Following is a recommended procedure for using this catalog.

If an inquiry is received for a painted radiator grille for a 1957 B500 model, use the following steps:

- A. Refer to the **Quick Reference Index** on the cover of this catalog. The index shows that illustrations for "Cooling-Grille" parts are shown in Sections 80 through 85 of this catalog. The first Section (80) in this group will contain an index for all illustrations in Sections 80 through 85.
- B. Refer to the **Illustration Index** at the beginning of Section 80 under the main heading "B Series" and the subordinate heading "Radiator Grille and Related Parts" and find an illustration for the 1957 B500 (Page 582).
- C. Refer to the illustration on page 582 and identify the proper part. It will show a group number of 8200.
- D. Refer to Group 8200 in the **Text Catalog (Form AF-7697)** and locate the year 1957 in the column headed "Year". Refer then to the column headed "Model" for B500/750 (which means B500 models through B750 models). The part number listed for the painted grille is B7C 8200-A.

HOW TO ORDER PARTS

When ordering parts, always give the complete part number.

In the event the part number is not known, the following information should be included:

- A. Complete description of part.
- B. Model year and body type.
- C. Dimension, number of teeth, size, etc.; if possible rough sketch of part.
- D. If applicable to engine, transmission, axle, steering, etc., specify type, such as 332 cubic inch, Fordomatic, Power Steering, etc.
- E. Advise how shipment is to be made - Freight, Express, Air, Parcel Post.

EXPLANATION OF SYMBOL ★

- ★ Symbol indicates part is not supplied for service due to the following:
- a. Part is superseded and replaced as indicated in the description column of text catalog.
 - b. Part can be improvised as indicated in the description column of text catalog.
 - c. Due to its function there would be little or no demand.

Always refer to the description column of the text catalog (Form AF-7697) for possible substitution, or for material specifications and dimensions which may be helpful in fabricating or obtaining the non-serviced part locally.



CHASSIS PARTS ILLUSTRATIONS GENERAL INDEX

Following is a general index of the major groups shown in the Chassis and Body Parts Illustration Sections. For more specific information refer to the Index Page shown below.

MAJOR GROUPS	SECTIONS	INDEX PAGE	MAJOR GROUPS	SECTIONS	INDEX PAGE
Accelerator Linkage	97	611	Manifold	93	611
Air Cleaner	98	611	Mirrors	174	832
Air Conditioner	195, 197	832	Mufflers	52	280
Alternators	100	719	Oil Filter	66	346
Axle (Front)	30	176	Oil Pump	66	346
Axle (Rear)	40	228	Radiator	80.1	561
Battery Carrier	106	719	Rear Axle	40	228
Brakes	21 thru 26	12	Rear Springs	55	280
Bumpers	50	832	Rear Suspension	55	280
Camshaft	61	346	Regulators	110	719
Carburetors	95	611	Running Boards	160	818
Clutch	75	403	Piston & Connecting Rod	61	346
Cooling System	80.1	561	Shaft (Coupling)	46	271
Coupling Shaft	46	271	Shaft (Drive)	46	271
Crankshaft & Flywheel	63	346	Shock Absorbers	180	832
Distributors	120	719	Spare Wheel Carrier	14	12
Drive Shaft	46	271	Springs (front)	53	280
Engine Assembly	60	346	Springs (rear)	55	280
Engine Supports	60.1	346	Shutters	80.3	561
Exhaust System	52	280	Starters	110	719
Fenders	160	818	Steering	32, 35	176
Frames	50	280	Suspension (Front)	53	280
Front Axle	30	176	Suspension (Rear)	55	280
Front Springs	53	280	Thermostatic Choke Control	93	611
Front Suspension	53	280	Tow Hooks	174	832
Fuel Filter	90	611	Transistorized Ignition	120	719
Fuel Pump	93	611	Transmission (Automatic)	A70 thru A76	512
Fuel System	90	611	Transmission (Auxiliary)	71	403
Generator	100	719	Transmission (Manual)	70 thru 70.12	403
Governors	182	832	Transmission (Transmatic)	T72, T75	529
Grille	80.2	561	Valves, Push Rods & Covers	65	346
Heaters	182	832	Voltage Regulator	100	719
Hoods	166	818	Water Pumps	85	561
Hubs	10	12	Wheels	10	12
Ignition Wiring	120	719	Windshield Washer	174	832
Instrument Cluster	Misc. Charts	1	Windshield Wipers	174	832
Instrument Panel	106	719	Wiring	145	773
Lamps	Misc. Charts	1			
	130 thru 145	773			

BODY ILLUSTRATIONS INDEX

MAJOR GROUPS	BODY SECTION	INDEX PAGE	MAJOR GROUPS	BODY SECTION	INDEX PAGE
Door Parts	200	884	Seats	600	884
Exterior Mouldings, etc.	Exterior Moulding	884	Sheet Metal	Sheet Metal	884
Interior Trim	Interior Trim	884	Windows (back and side)	Sheet Metal & Exterior Moulding	884
			Windshield	Sheet Metal & Exterior Moulding	884



BUY IT NOW!

Click Here To Order



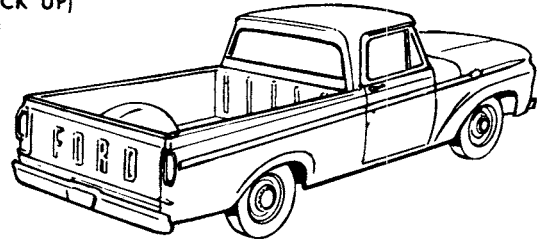
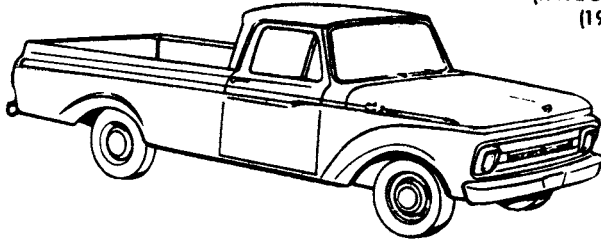
FORD TRUCK PARTS

GENERAL
INFORMATION

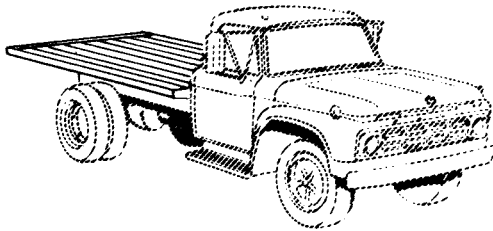
V

BODY TYPE

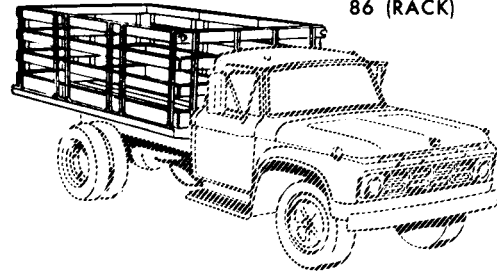
66
(INTEGRAL PICK UP)
(1961/63)



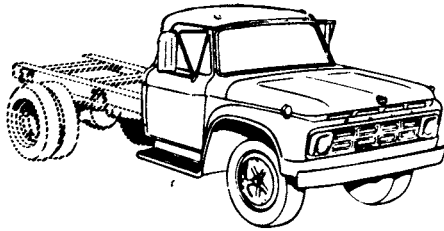
80 (PLATFORM)



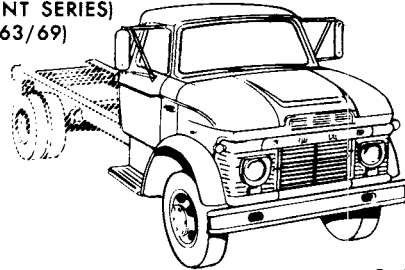
86 (RACK)



81 (F-T SERIES)



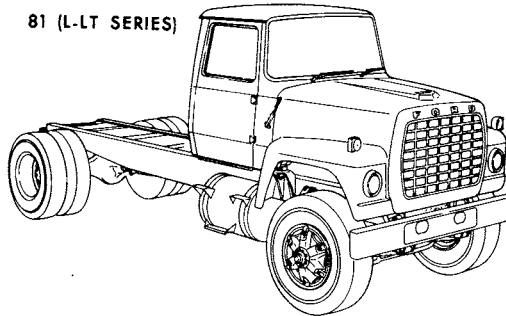
81 (N-NT SERIES)
(1963/69)



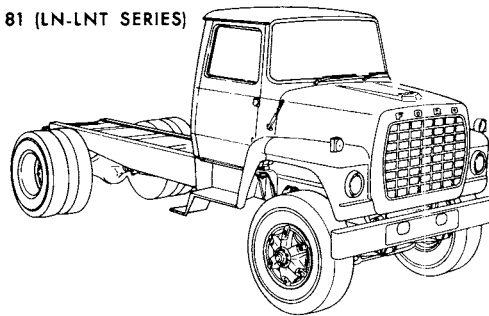
3-70

P-4881

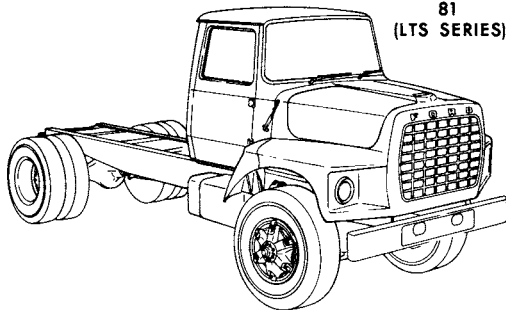
81 (L-LT SERIES)



81 (LN-LNT SERIES)



81
(LTS SERIES)



P-7503



BUY IT NOW!

Click Here To Order

PayPal

Discover
Cards

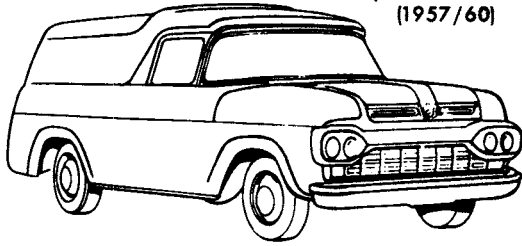
Discover
Novus

MasterCard

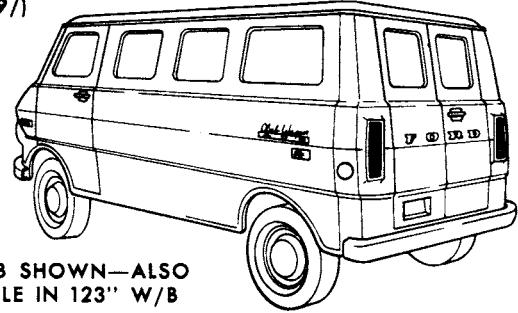
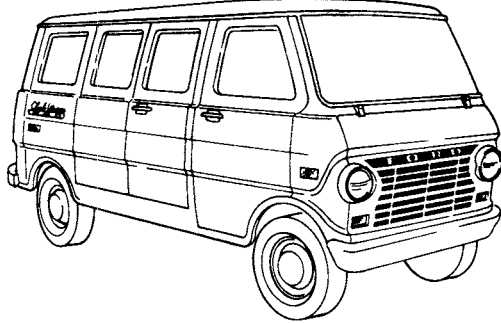
VISA

BODY TYPE

82 (PANEL DELIVERY)
(1957/60)

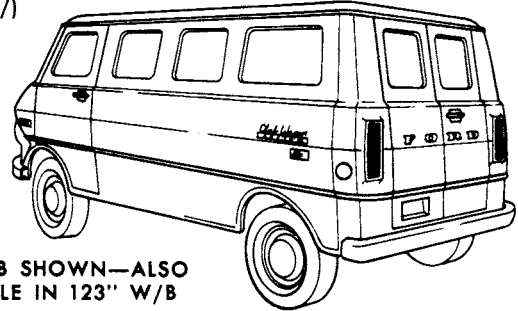
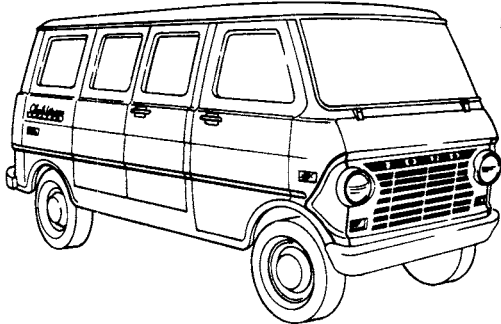


82A (1969/)



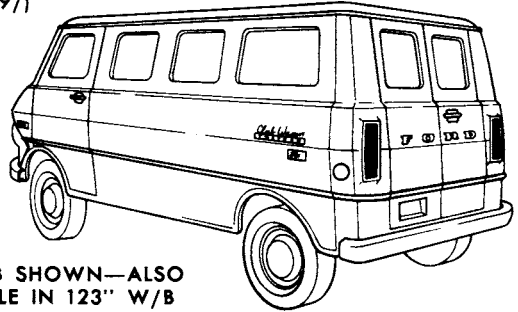
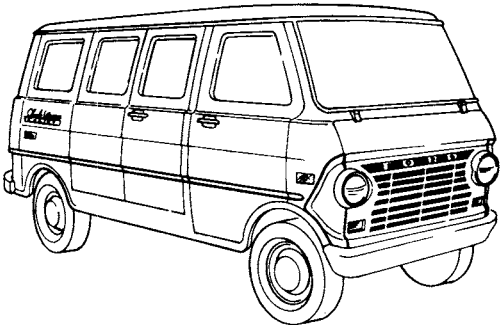
105" W/B SHOWN—ALSO
AVAILABLE IN 123" W/B

82B (1969/)



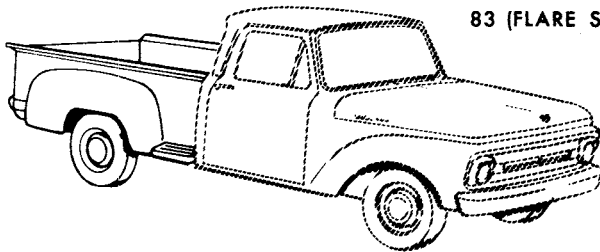
105" W/B SHOWN—ALSO
AVAILABLE IN 123" W/B

82C (1969/)



105" W/B SHOWN—ALSO
AVAILABLE IN 123" W/B

83 (FLARE SIDE PICK UP)



P-7501

100% SATISFACTION GUARANTEED

BUY IT NOW!

Click Here To Order

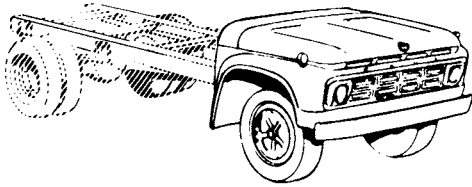
FORD TRUCK PARTS

GENERAL
INFORMATION

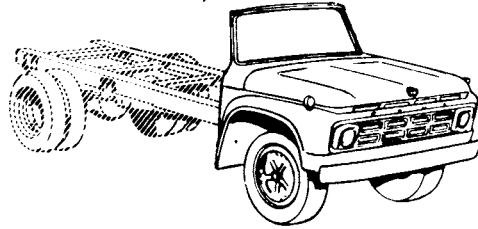
VII

BODY TYPE

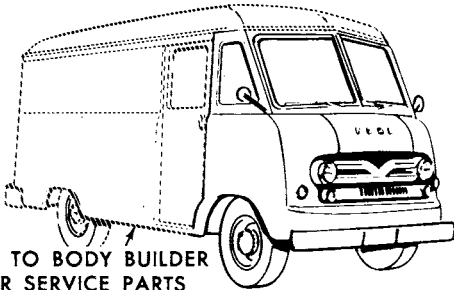
84 (OPEN DRIVE AWAY
LESS WINDSHIELD)



85 (OPEN DRIVE AWAY
INCLUDES WINDSHIELD)

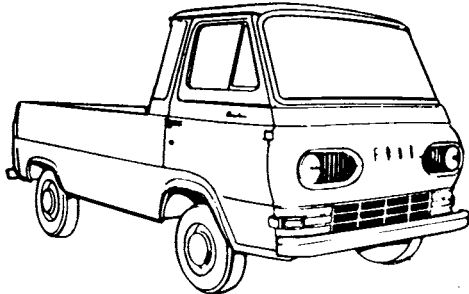
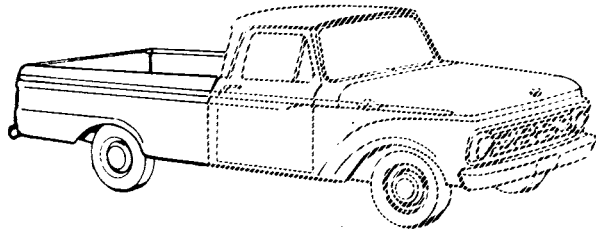


85 (PARCEL DELIVERY)

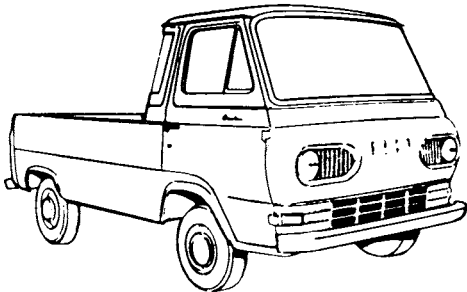
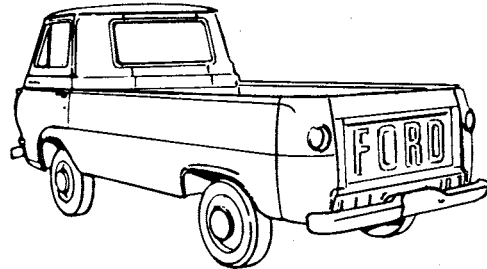


REFER TO BODY BUILDER
FOR SERVICE PARTS

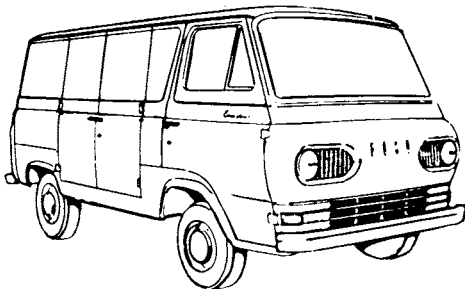
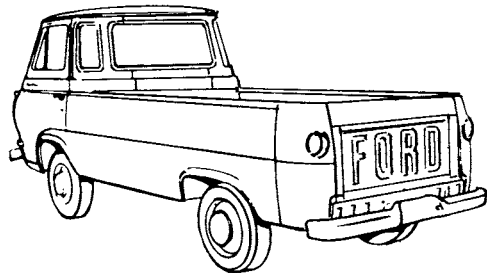
99 (STYLE SIDE PICK UP)



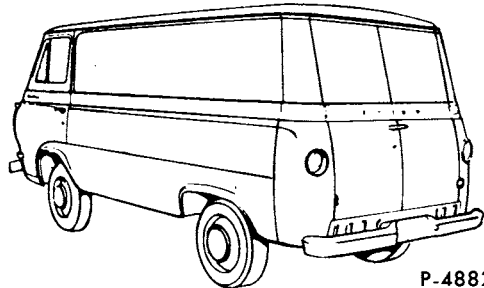
87A
(STANDARD)
(1961/67)



87B
(CUSTOM)
(1961/67)



89A
(1961/67)



P-4882

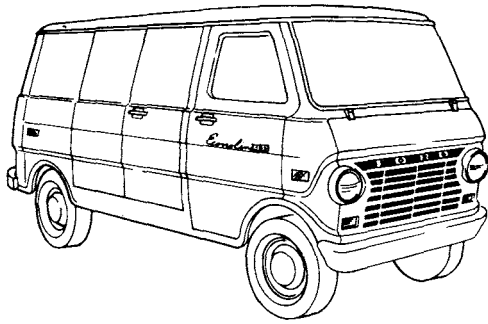


BUY IT NOW!

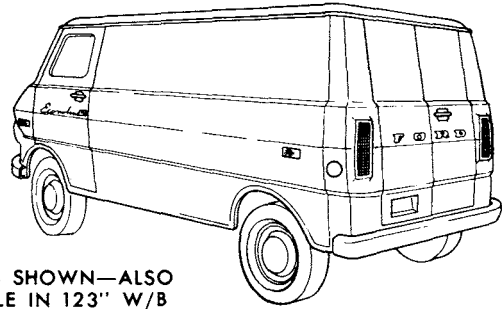
Click Here To Order



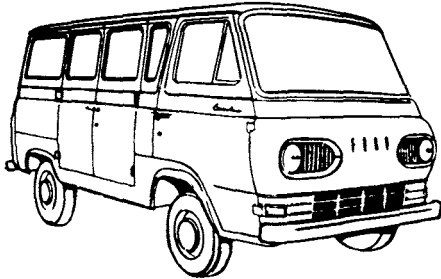
BODY TYPE



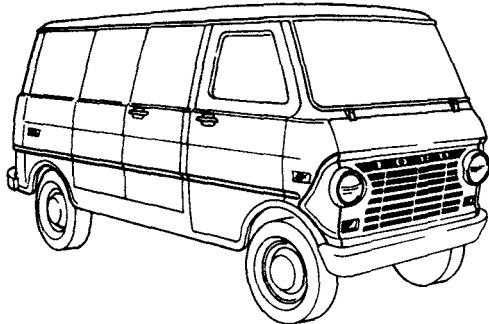
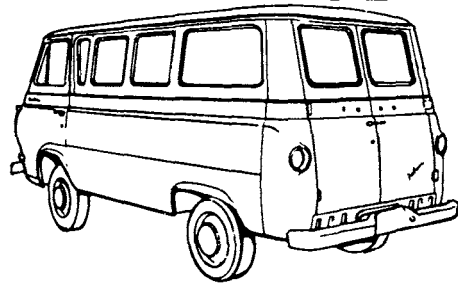
89A
(1969/)



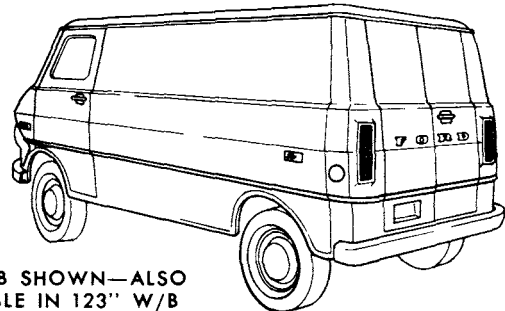
105" W/B SHOWN—ALSO
AVAILABLE IN 123" W/B



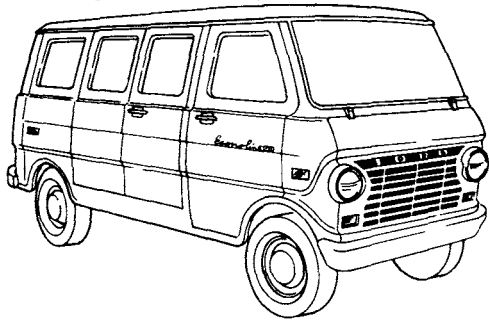
89B
89C
(1961/67)



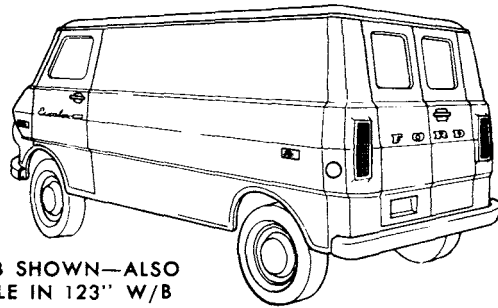
89B
(1969/)



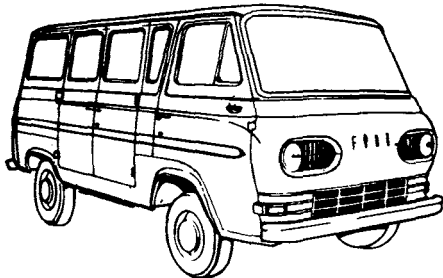
105" W/B SHOWN—ALSO
AVAILABLE IN 123" W/B



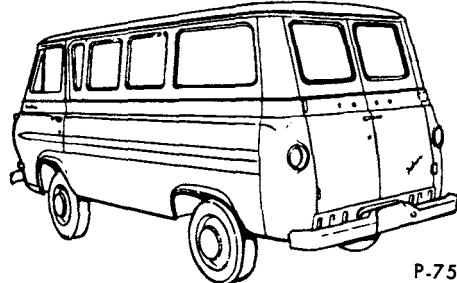
89C
(1969/)



105" W/B SHOWN—ALSO
AVAILABLE IN 123" W/B



89D
(1961/67)



P-7502

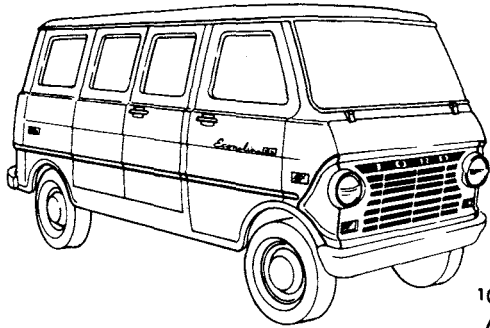


BUY IT NOW!

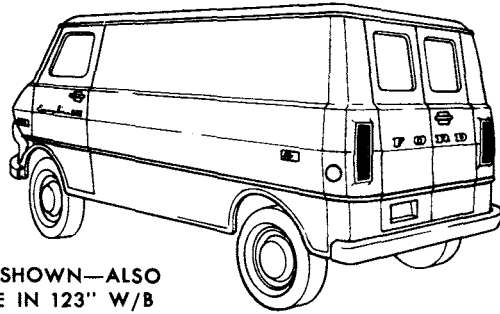
Click Here To Order



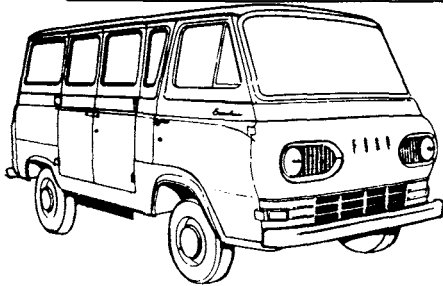
BODY TYPE



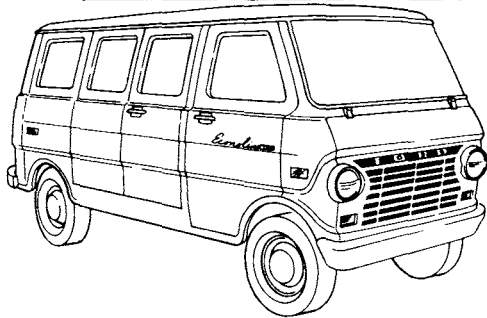
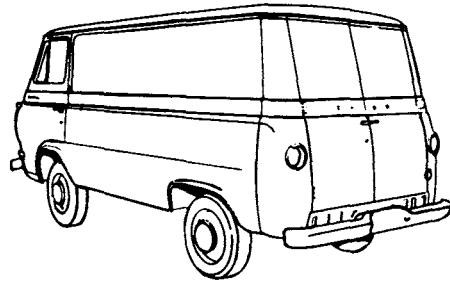
89D
(1969/)



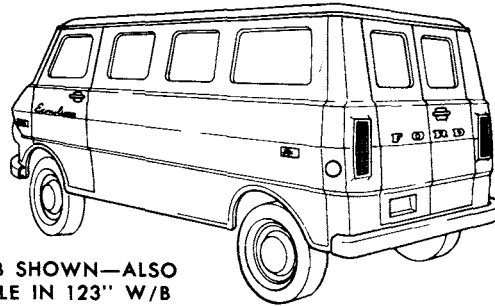
105" W/B SHOWN—ALSO
AVAILABLE IN 123" W/B



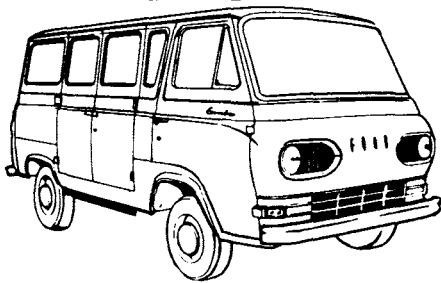
89E
(1963/67)



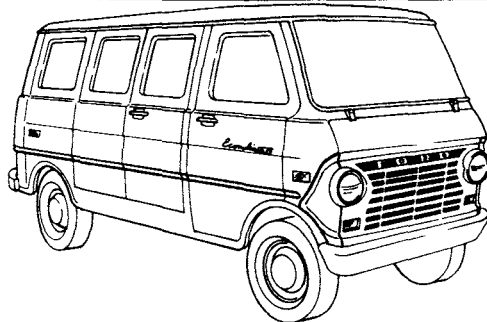
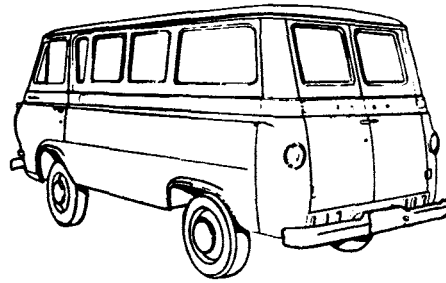
89E
(1969/)



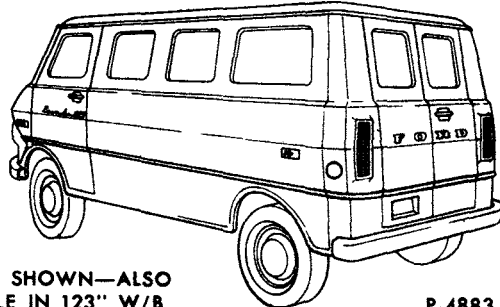
105" W/B SHOWN—ALSO
AVAILABLE IN 123" W/B



89F
(1963/67)



89F
(1969/)



105" W/B SHOWN—ALSO
AVAILABLE IN 123" W/B

P-4883



BUY IT NOW!

Click Here To Order

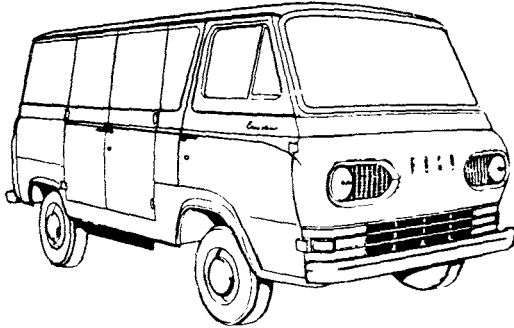


X

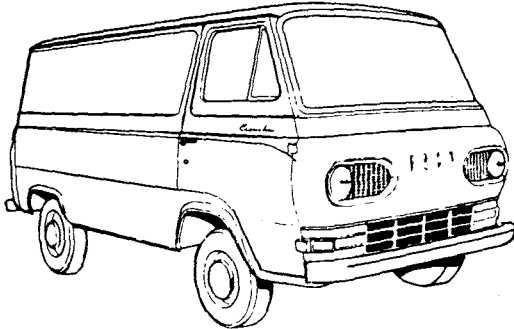
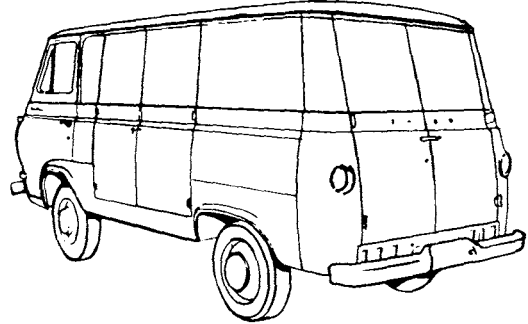
**GENERAL
INFORMATION**

FORD TRUCK PARTS

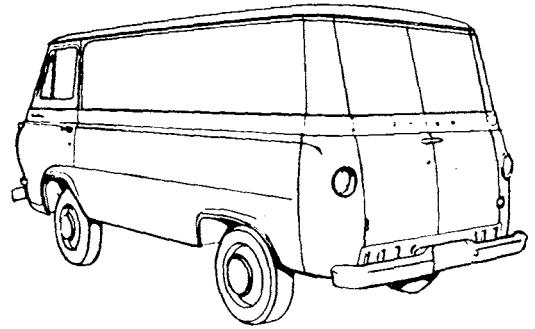
BODY TYPE



89G
(1963/67)



89H
(1963/67)



P-7504



BUY IT NOW!

Click Here To Order



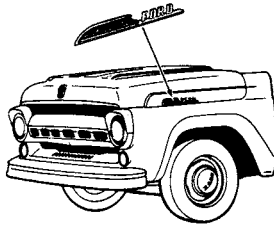
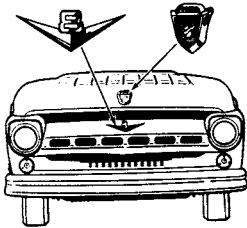
FORD TRUCK PARTS 1957

MODEL
IDENTIFICATION

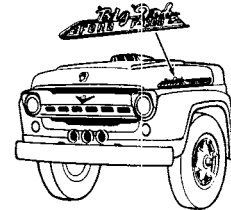
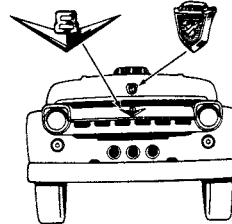
XI

SERIES B500/750,F100/600
CONVENTIONAL

SERIES F700/900,T700/800
CONVENTIONAL

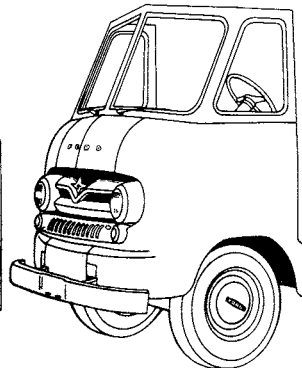
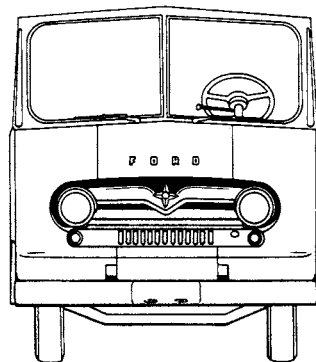


P-2363



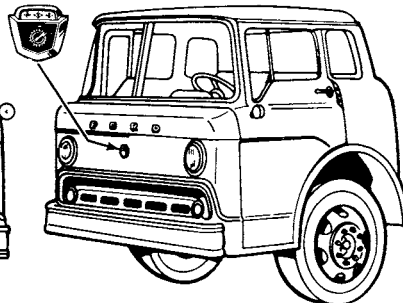
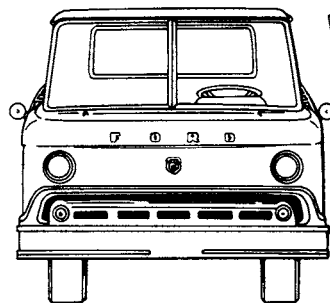
P-2364

SERIES P350/500
PARCEL DELIVERY



P-1828

SERIES C550/900
TILT CAB



P-2365



BUY IT NOW!

Click Here To Order

PayPal

Discover
Cards

Discover
Novus

MasterCard

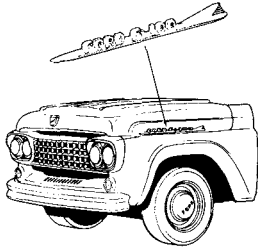
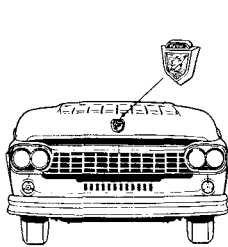
VISA

SERIES B500/750,F100/600

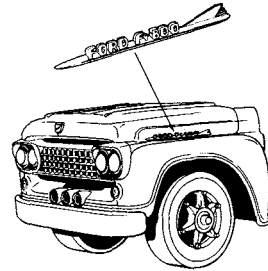
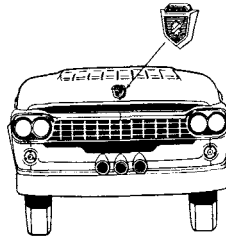
CONVENTIONAL

SERIES F700/1100,T700/950

CONVENTIONAL

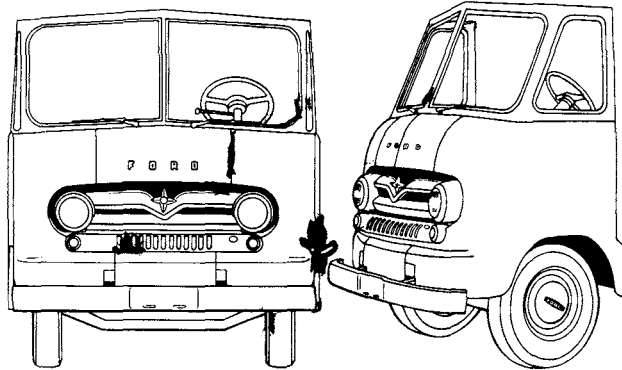


P-7580



P-2581

SERIES P350/500
PARCEL DELIVERY



P-1828

SERIES C550/1100
TILT CAB



P-2582



BUY IT NOW!

Click Here To Order



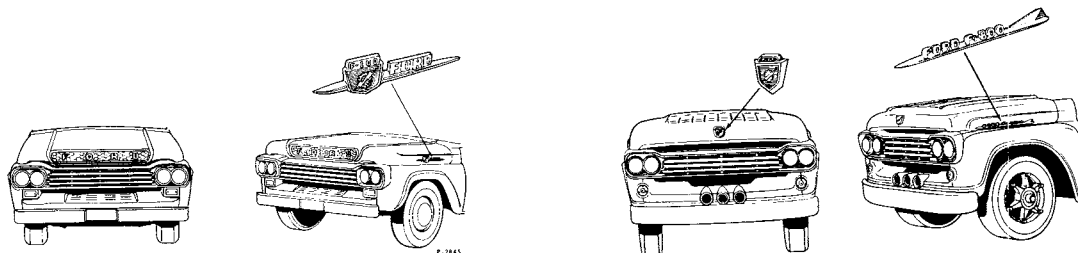
FORD TRUCK PARTS 1959

MODEL
IDENTIFICATION

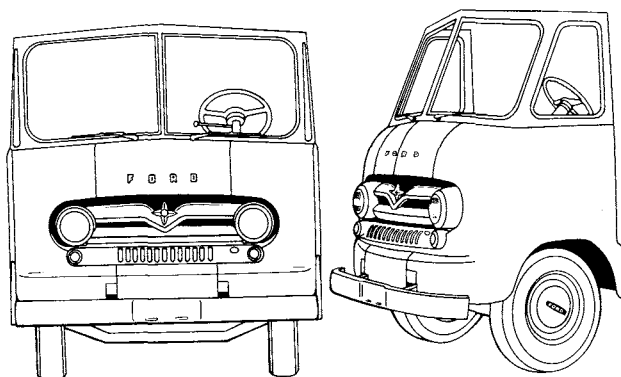
XIII

SERIES F100/600 CONVENTIONAL

SERIES B500/750, F700/1100, T800/950 CONVENTIONAL



SERIES P350/500 PARCEL DELIVERY



SERIES C550/1100 TILT CAB



BUY IT NOW!

Click Here To Order

PayPal

AMERICAN EXPRESS
Cards

DISCOVER
NEWUS

MasterCard

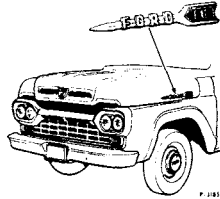
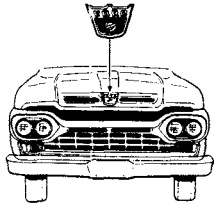
VISA

MODEL IDENTIFICATION

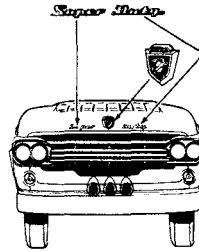
**FORD TRUCK PARTS
1960**

**SERIES F100/600
CONVENTIONAL**

**SERIES B500/750,F700/1100,T700/950
CONVENTIONAL**

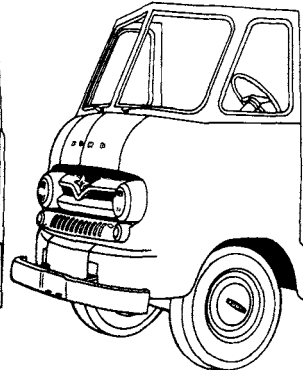
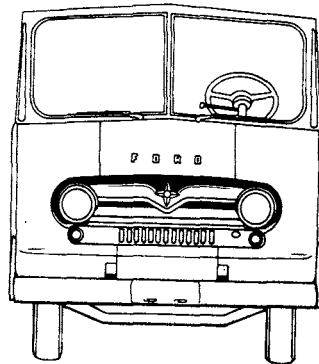


P-181



P-3571

**SERIES P350/500
PARCEL DELIVERY**



P-18 28

**SERIES C550/1100
TILT CAB**



P-3572



BUY IT NOW!

Click Here To Order



FORD TRUCK PARTS 1961/62

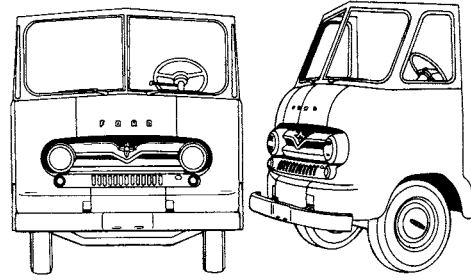
MODEL IDENTIFICATION

SERIES E100 ECONOLINE



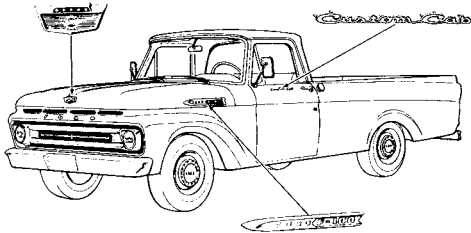
P-3572

SERIES P100/500 PARCEL DELIVERY



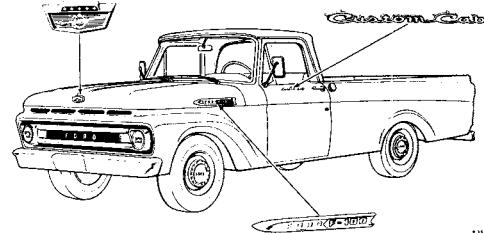
P-1878

SERIES F100/600 (1962) CONVENTIONAL CAB



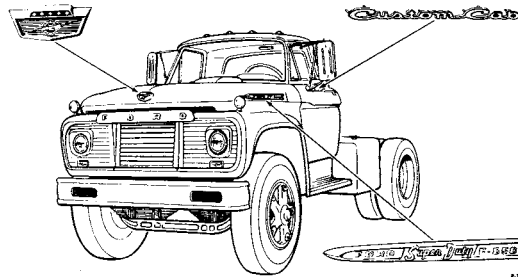
P-3731

SERIES B500/750, F100/700 (1961) SERIES B500/750, F700/750 (1962) CONVENTIONAL CAB



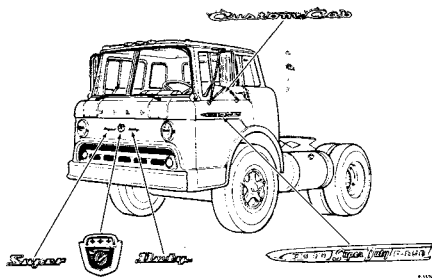
P-3374

SERIES F800/1100, T700/950 CONVENTIONAL CAB



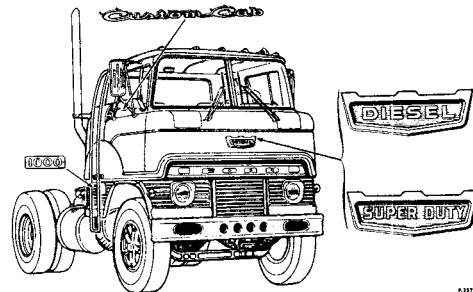
P-3575

SERIES C550/1100, CT750/950 TILT CAB



P-1076

SERIES H950/1000, HT850/950 FORWARD AXLE TILT CAB



P-1317

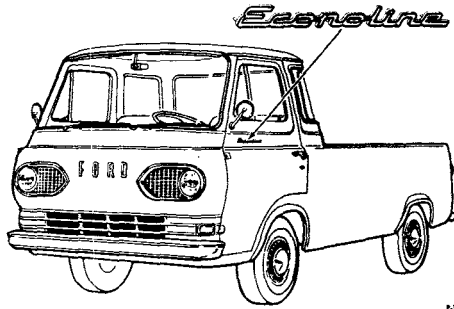


BUY IT NOW!

Click Here To Order

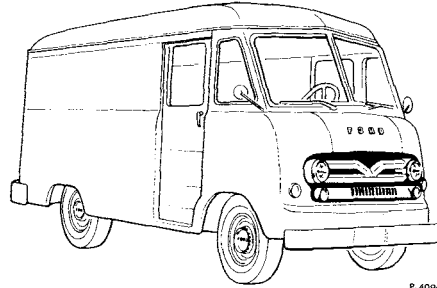


SERIES E100 ECONOLINE



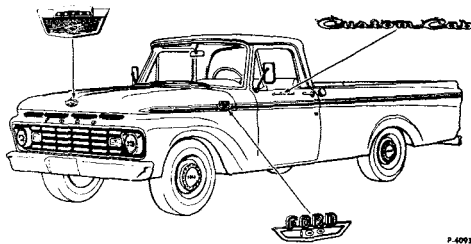
P-3373

SERIES P100/500,P3500/5000 PARCEL DELIVERY



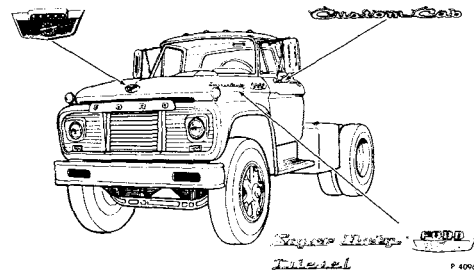
P-4094

SERIES B500/750,F100/750 CONVENTIONAL CAB



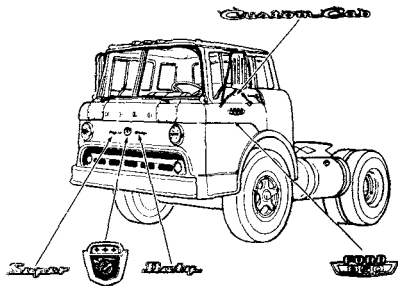
P-4093

SERIES F800/1100,T700/950 CONVENTIONAL CAB



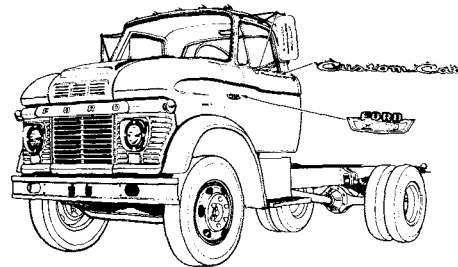
P-4096

SERIES C550/1100, C6000/7000, CT750/950 TILT CAB



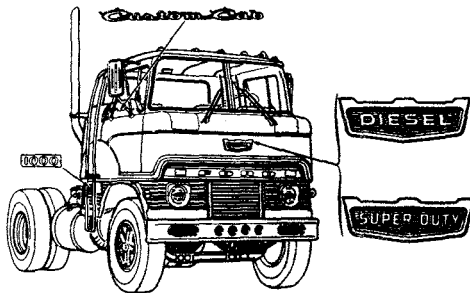
P-4097

SERIES N500/1100, N6000/7000, NT850/950 89" BBC CONVENTIONAL CAB



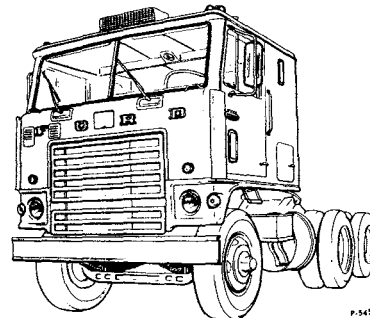
P-4095

SERIES H1000,HT950 HI-TILT CAB



P-4098

SERIES W-WT1000 HIGHWAY TRACTOR



P-5458



BUY IT NOW!

Click Here To Order



INSTRUMENT PANEL and RELATED PARTS

1957 / B-F100/750 - BODY TYPE 84

Group	Part Number	Part Name	Group	Part Number	Part Name
2A036	C5TZ 2A036-A	Gauge assy. (vacuum)	10876	C1UF 10876-AP	Bezel (instrument cluster)
2A204	C1TF 2A204-A	Wire assy. (vacuum gauge)	10880	B7C 10880-A	Glass (instrument cluster)
2557	C3TZ 2557-A	Gauge assy. (air pressure)	10883	⊕	Gauge (temperature)
3685	B9A 3685-A	Key (ignition & door lock)	10A885	⊕	Plate(ignition switch mounting)
9273	C1TF 9273-A	Gauge assy. (oil pressure)	10894	⊕	Mask (instrument cluster) - lights - 1961/
9280	⊕	Gauge assy. (fuel)		⊕	Mask (instrument cluster)- gauges
9A342	★C1TZ 9A342-B	Wiring assy. (ignition switch to fuel pump switch)-(1961/62)	10A936	B9TZ 10A936-A	Lens (oil pressure warning lamp)
9A342	C3TZ 9A342-G	Wiring assy. (ignition switch to fuel pump switch)-(1963/) (F700/750)	10A937	B9TZ 10A937-A	Lens (charge indicator warning lamp)
9A388	C1TZ 9A388-A	Switch assy. (fuel pump control)	11572	⊕	Switch assy. (ignition)
9A389	⊕	Nut (fuel pump control)	11581	1A 11581-B	Spring (ignition switch retaining)
9700	⊕	Control assy. (carb. choke)	11582	⊕	Cylinder & keys assy. (ignition switch)
9775	⊕	Control assy. (carb. throttle)	11584	⊕	Bezel (ignition switch)
04810	C1TZ 8104810-B	Receptacle assy. (instrument panel ash)	11650		Nut (light switch)
04824	C1TZ 8104824-A	Panel (instrument panel ash receptacle trim)	11654	⊕	Switch assy. (light)
04826	C1TB 8104826-A	Retainer assy. (instrument panel ash receptacle)	11661	⊕	Knob & shaft(light switch)
06010	C1TZ 3106010-A	Compartment assy. (glove)	13340	C1TF 13340-B	Lens (instru. panel turn indicator lamp)
06024	C1TZ 8106024-A	Door assy. (glove compartment)	13466	⊕	Bulb (instrument panel lighting)
	374212-S	Bumper (glove compartment)	17255	C1TZ 17255-A	Speedometer assy. (less mounting plate)
06112	C1TB 8106112-A	Spring (glove compartment door assist)-R. H.	17289	⊕	Plate (speedometer mounting)
06113	C1TB 8106113-A	Spring (glove compartment door assist)-L. H.	17360	⊕	Tachometer assy.
06164	C1TB 8106164-A	Knob assy. (glove compartment door)	17368	B7T 17368-A	Bracket (tachometer mounting)
10804	⊕	Regulator (constant voltage)	18A952	B7LY 18A952-A	Choke(radio receiver suppression)
10850	⊕	Ammeter			
10852	⊕	Bezel "carb. primer-hold 10 seconds"			
10852	⊕	Bezel "lights"			

er for prefix and suffix required



BUY IT NOW!

Click Here To Order



INSTRUMENT PANEL and RELATED PARTS - TYPICAL
1957/ F-N-NT-T100/1100 - BODY TYPES 81,85

Group	Part Number	Part Name	Group	Part Number	Part Name
2557	C3TZ 2557-A	Gauge assy. (air pressure)	10A937	⊕	LENS (charge indicator warning lamp)
3685	B9A 3685-A	Key (door & ignition lock)	10A960	⊕	LAMP (power divider diff. lockout warning)
7A650	A9AZ 7A650-A	Handle & Cable assy. (trans. overdrive manual control)	10A961	⊕	LAMP (trans. retarder oil temp. warning)
7A653	C1TF 7A653-A	Bracket (trans. overdrive control)	10A962	C3TZ 10A962-A	Lamp (oil pressure warning)-1963/
9A050	⊕	Switch assy. (fuel tank selector)	10A963	C3TZ 10A963-A	Lamp (water temp. warning)-1963/
9270	C1TZ 9270-A	Gauge assy. (fuel pressure)	11572	C3AZ 11572-A	Switch assy. (ignition)
9273	⊕	Gauge assy. (oil pressure)	11581	1A 11581-B	Spring (ign. switch retaining)
9280	C1TF 9280-C	Gauge assy. (fuel)	11582	C3AZ 11582-A	Cylinder & keys (ign. switch lock)
9C326	C1TF 9C326-B	Bracket (fuel pressure indicator)	11584	C3TZ 11584-A	Bezel (ignition switch)
9C331	★C3TB 9C331-E	Control assy. (fuel shut off)-cut from C3TZ 9700-E - (1963-N600/700 Diesel)	11650	⊕	Nut (light switch)
	"Before Ser.370,001"		11654	⊕	Switch (headlamp)-1961
			11661	⊕	Knob & Shaft (headlamp switch)
9A342	⊕	WIRING Assy. (ign. switch to fuel pump switch)	★13A049	C1TF 13A049-A	Baffle (high beam indicator lamp)
9A388	C1TZ 9A388-A	Switch assy. (carburetor primer)	★13A303	C1TF 13A303-A	Baffle (turn signal indicator lamp)
9A389	C1TZ 9A389-A	Nut (fuel pump manual control & carb. primer switch)	13340	C1TF 13340-B	Lens (turn indicator lamp)
9700	⊕ 9700	Control assy. (carb. choke)	13466	⊕	Bulb (instrument lighting)
9700	C3TZ 9700-D	Control assy. (fuel shut off)-1963/66 N600/700 Diesel	13586	C1TF 13586-A	Lens (high beam indicator lamp)
	"From Ser.370,001"		14064	⊕	Wire assy. (tachometer lamp)
9775	⊕ 9775	Control assy. (carb. throttle)	14429	FEW 14429-A	Fuse (cigar lighter)
01890	C1TZ 8101890-B	Control assy. (vent. air)	14698	C3TZ 14698-A	Wire assy. (air pressure gauge)
04290	SEE SOFT TRIM SEC.	Pad (instr. panel)-safety	★15A046	C1TF 15A046-A	WIRE Assy. (cigar lighter to fuse panel)
04320	⊕	Panel assy. (instrument)	15052	⊕	Knob & Element (cigar lighter)-61/
04334	C1TZ 8104334-A	Panel (instr. panel end)-R. H.	15055	C1TZ 15055-A	Socket & Retainer (cigar lighter)
04335	C1TZ 8104335-A	Panel (instr. panel end)-L. H.	15072	⊕	Lamp assy. (cigar lighter)
04439	C0AB 6404439-F	Retainer (instr. panel moulding)	15A404	⊕	Wiring (marker lamp to switch)
044A98	C1TZ 81044A98-A	Cover (w/s defroster ret.)-R. H.	15A405	⊕	Wire assy. (marker lamp switch to headlamp switch)
04518	C1TB 8104518-A	Moulding-R. H. -1961/63	15A413	C1TF 15A413-A	Nut (marker lamp switch ref.)
04519	C1TB 8104519-A	Moulding-L. H. -1961/63	15443	⊕	Switch (marker lamp blinker)
04551	C1TB 8104551-A	Reinforcement (to dash)	15469	⊕	Bezel (marker lamp switch)
04589	C1TB 8104589-A	Moulding (center)	17255	⊕	Speedometer (less m.g. plate)
04810	C1TZ 8104810-B	Receptacle (ash)	17260	⊕	Casing & Shaft (speedometer)
04824	C1TZ 8104824-A	Panel (ash receptacle trim)	17360	⊕	Tachometer assy.
04826	C1TB 8104826-A	Retainer (ash receptacle)	17365	⊕	Cable assy. (tachometer)
06010	C1TZ 8106010-A	Compartment (glove)	17368	⊕	Bracket (tachometer mounting)
06024	C1TZ 8106024-A	Door (glove compartment)	17470	⊕	Switch assy. (windshield wiper)
06112	C1TB 8106112-A	Spring (assist)-R. H.	17512	⊕	Nut (windshield wiper control)
06113	C1TB 8106113-A	Spring (assist)-L. H.	17513	⊕	Knob (windshield wiper control)
06164	C1TB 8106164-A	Knob (glove compartment door)	17A553	⊕	Switch (windshield wiper)
10804	⊕	Regulator (voltage)	18545	CIUF 18545-A	Nut (heater blower switch)
10848	⊕	Plate (back)-lights	18578	⊕	Switch assy. (heater blower)
10850	C1TZ 10850-B	Ammeter-1961/	18598	⊕	Bezel (heater blower switch)
10852	C1TF 10852-A	Bezel (fuel tanks)	18607	C1TB 18607-A	Cover (heater switch opening)
	C1TF 10852-B	Bezel (carburetor primer)	18805	⊕	Radio kit (less antenna)
	C1TF 10852-C	Bezel (lights)	18808	⊕	Speaker (radio)
	C1TF 10852-D	Bezel (wiper)	18817	⊕	Knob (radio)
	C3TZ 10852-A	Bezel (pull to stop engine)	18830	C3TZ 18830-A	Disc (radio tone control)
10876	C1TZ 10876-A	Bezel (instrument cluster)	18A952	B7LY 18A952-A	Choke (radio suppression)
10880	C1TF 10880-A	Glass (instrument cluster)	18985	C0TZ 18985-A	Grille (radio speaker)
10883	C1TF 10883-C	Gauge assy. (temperature)			
10A885	C1TF 10A885-A	Plate (ignition switch mounting)			
10894	C1TZ 10894-C	Mask			
10A936	⊕	LENS (oil press. ind. warning lamp)			

⊕ prefix and suffix required



BUY IT NOW!

Click Here To Order



INSTRUMENT PANEL and RELATED PARTS

1961/ E100

Group	Part Number	Part Name	Group	Part Number	Part Name
3685	B9A 3685-A	Key (door & ignition lock)	11582	C3AZ 11582-A	Cylinder & keys assy.(ignition switch lock)
3B718	C2UZ 3B718-A	Support assy.(steering column)-1961/	11584	C3TZ 11584-A	Bezel (ignition switch)
3B741	C3UZ 3B741-A	Retainer assy.(steering column support)	11650	⊕	Nut (headlamp switch)
9280	C1TF 9280-A	Gauge assy. (fuel)	11654	⊕	Switch assy.(headlamp)-1961
04282	*	Pad (instr. panel)-safety	11661	⊕	Knob & Shaft (headlamp switch)
04320	⊕	Panel (instrument)	13A060	C1AF 13A060-A	Retainer (headlamp junction block) (1961)
04326	⊕	Panel (instrument)	13350	⊕	Flasher assy. (emergency warning)
04810	C1UZ 8904810-A	Receptacle (ash)	13466	⊕	Bulb (instrument panel lighting)
04826	C1UZ 8904826-A	Retainer (ash receptacle)	14429	FEW 14429-A	Fuse assy. (cigar lighter)
Δ060A08	⊕	Cable (check)	15052	⊕	Knob & Element (cigar lighter)
06010	CIUB 8906010-B	Compartment assy.(glove) - 1961/62	15055	⊕	Socket & Retainer (cigar lighter)
	C3UZ 8906010-A	Compartment assy. (glove)-1963/	15583	⊕	Switch (emer. warning flasher)-(1961/62)
06024	⊕	Door assy.(glove compt.)	15B590	⊕	Switch & wiring (emergency warning flasher)
Δ06050	C3UZ 8906050-AP	Hinge assy.(glove compt.door)	17255	C1TZ 17255-A	Speedometer assy.(less mounting plate)
†06064	C2UZ 8906064-A	Catch (glove compartment door)-1961/	17260	⊕	Casing & Shaft (speedometer)
Δ06064	C2SZ 6306064-A	Catch (glove compartment door)-1961/	17264	CIUZ 17264-A	Bracket (speedometer cable mounting clip)-1961/62
Δ06081	C3UZ 8906081-A	Lock assy.(glove compt.door)	17A270	C1TF 17A270-A	Joint assy.(speedometer angle drive) (1961/62)
Δ06095	C0AB 6406095-A	Escutcheon (glove compartment door lock)	17289	C0TF 17289-A	Plate (speedometer mounting)
06142	C2UZ 8906142-A	Striker(glove compartment door) 1961/	17512	C3OZ 17512-A	Nut (windshield wiper control)-1961/63
Δ06162	C3UZ 8906162-A	Bumper(glove compartment door)	17513	⊕ 17513	Knob (windshield wiper control)
10804	B7A 10804-B	Regulator (instrument cluster voltage)	17A553	⊕	Switch assy. (windshield wiper)
10850	⊕	Ammeter	18534	⊕	Knob & Insert assy.(heater regulator control)
10852	C1TF 10852-C	Bezel (lights)	18545	CIUF 18545-A	Nut (heater blower switch)
	C1TF 10852-D	Bezel (wiper)	18578	⊕	Switch assy. (heater)
10876	C1UF 10876-AP	Bezel	18598	CIUF 18598-A	Bezel (heater blower switch) - with hot water heater
10880	B7C 10880-A	Glass		CIUF 18598-B	Bezel (heater blower switch)-with gasoline heater
10883	C1UF 10883-A	Gauge (temperature)-1961/	18805	⊕	Kit (radio-less antenna)
10A885	C1TF 10A885-A	Plate (ignition switch mounting)	18808	⊕	Speaker (radio receiver)
10890	C3TZ 10890-A	Mask-lights	18817	⊕	Knob (radio receiver)
10A936	B9TZ 10A936-A	Lens (oil pressure warning lamp)	18830	C3TZ 18830-A	Disc (radio receiver tone control)
10A937	B9TZ 10A937-A	Lens (charge indicator warning lamp)-1961/	18985	C0TZ 18985-A	Grille (radio receiver speaker)
11572	C3AZ 11572-A	Switch assy.(ignition)			
11581	1A 11581-B	Spring (ignition switch retaining)			

* Refer to Group in Soft Trim Section

† Used with padded instrument panel only

Δ Used with steel glove compartment door

⊕ Refer to basic group number for prefix and suffix required

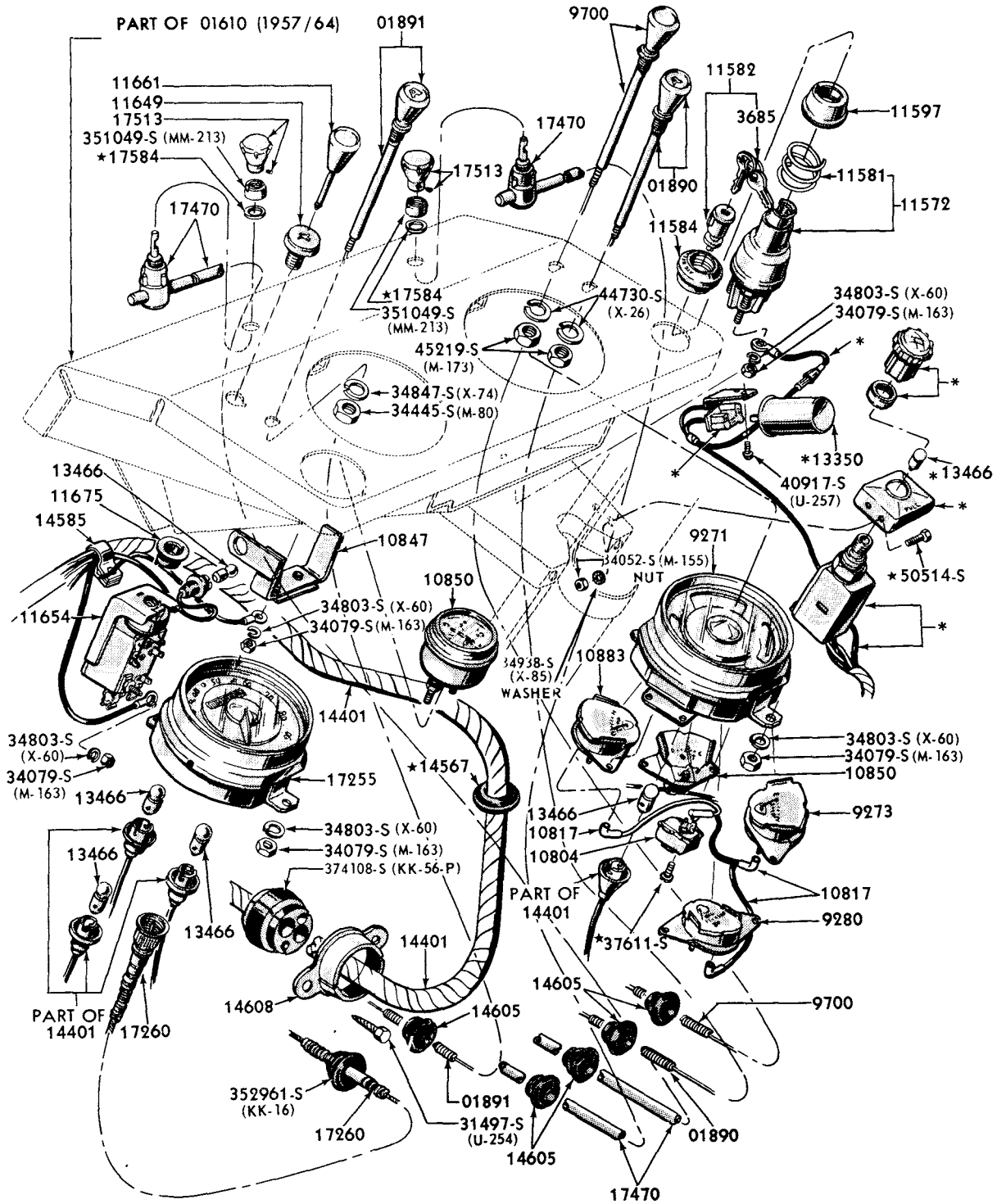


BUY IT NOW!

Click Here To Order



FORD TRUCK PARTS



* SUPPLIED IN 15583 FLASHER ASSEMBLY

P-3557

INSTRUMENT PANEL and RELATED PARTS
1957/ P100/500



BUY IT NOW!

Click Here To Order



INSTRUMENT PANEL and RELATED PARTS

1957 / P100/500

Group	Part Number	Part Name	Group	Part Number	Part Name
3685	B9A 3685-A	Key (ignition lock)	11582	⊕	Cylinder & keys assy. (ignition switch lock)
9271	B5J 9271-A	Cluster assy. (instrument) (less instruments)	11584	⊕	Bezel (ignition switch)
9273	B7J 9273-A	Gauge assy. (oil pressure)	11597	⊕	Plate (ignition switch mounting)
9280	B7J 9280-A	Gauge assy. (fuel)	11649	B5C 11649-A	Bezel (headlamp switch)
9700	⊕	Control assy. (carb. choke)	11654	⊕	Switch assy. (headlamp)
01890	IJ 8501890-A	Control (ventilator air)-R, H.	11661	⊕7C 11661-A	Knob & Shaft (headlamp switch)
01891	IJ 8501891-A	Control (ventilator air)-L, H.	11675	B5C 11675-A	Spacer (headlamp switch)
10804	⊕	Regulator (instr. cluster voltage)	13350	⊕	Flasher (emergency warning)
10817	C1TF 10817-C	Wiring assy. (feed)-1961/	13466	⊕	Bulb (instrument panel lighting)
10847	⊕	Bracket (ammeter mounting)	14401	⊕	Wiring assy. (instrument panel)
10850	⊕	Ammeter -oval	14605	⊕	Grommet (wiring thru dash panel)
10A860		Plate (ignition switch mounting)-1961/62-refer to Group 11597	14608	⊕	Retainer (grommet retaining in dash panel)
	C3TZ 10A860-A	Plate (ignition switch mounting)-1963/	15583	⊕	Switch, Wiring & Flasher assy. (emergency warning flasher)
10883	B7J 10883-A	Gauge (temperature)	17255	C9TZ 17255-C	Speedometer
11572	⊕	Switch assy. (ignition)	17260	⊕	Casing & Shaft (speedometer)
11581	1A 11581-B	Spring (ignition switch retaining)	17470	⊕	Control assy. (windshield wiper)
			17513	1C 17513-A	Knob (windshield wiper control)

Refer to Basic Group for complete part number



BUY IT NOW!

Click Here To Order



INSTRUMENT PANEL and RELATED PARTS 1957 / C-CT-H-HT550/1100

Group	Part Number	Part Name	Group	Part Number	Part Name
2557	C3TZ 2557-A	Gauge assy. (air pressure)	10A961	*C1TF 10A961-A	Lamp (trans. retarder oil temp. warning)-1961/62
3685	B9A 3685-A	Key (ignition & door lock)		⊕	Lamp (trans. retarder oil temp. warning)
9A049	⊕	Plate (fuel pump selector control name)-1961/62	10A962	⊕	Lamp (oil press. warn.)
9A050	C1TZ 9A050-A	Switch assy. (fuel tank selector)		C3TZ 10A962-A	Lamp (oil press. warn.)-1963/
9A061	C1TB 9A061-A	Bracket (fuel tank selector control valve mounting)-(1961) (1962)-use with tilt tandem only	10A963	⊕	Lamp (water temp. warning)
		Gauge assy. (fuel press.)-1961/		C3TZ 10A963-A	Lamp (water temp. warning)1963/
9270	C1TZ 9270-A	Gauge assy. (oil pressure)-1961/	10989	B9T 10989-A	Gasket (anti-squeak)
9273	⊕	Gauge assy. (fuel)-1961/			
9280	◇C1TF 9280-B	Control assy. (fuel tank selector valve)-(1961) (1962)-use with tilt tandem only	11572	⊕	Switch assy. (ignition)
9A334	⊕	Wiring assy. (ignition switch to fuel pump switch)	11581	1A 11581-B	Spring (ignition switch retaining)
9A342	⊕	Switch assy. (fuel pump manual control)	11582	⊕	Cylinder & keys assy. (ignition switch lock)
9A388	C1TZ 9A388-A	Nut (fuel pump manual control)	11584	C3TZ 11584-A	Bezel (ignition switch)
9A389	⊕	Control assy. (carburetor choke)	11650	⊕	Nut (headlamp switch)
9700	⊕	Control assy. (carb. throttle)	11654	⊕	Switch (headlamp)
9775	⊕		11661	⊕	Knob & shaft (headlamp switch)
01890	B9C 8101890-A	Control assy. (vent air)-1959/60	13340	C1TF 13340-A	Lens (instr. panel turn ind. lamp)-1961/
	C1TZ 9101890-B	Control assy. (vent. air)-1961/	13466	⊕	Bulb (instr. panel lighting)
03626	C1TZ 9103626-A	Moulding (w/s garnish)-lower	13711	⊕	Socket assy. (instr. panel lamp)
03638	B8T 9103638-A	Support (w/s lower garnish mldg.)	14401	⊕	Wiring assy. (instr. panel)
*04290		Pad (safety)	15052	⊕	Knob & element assy. (cigar lighter)
04296	*B7T 9104296-A	Mldg. - R. H.	15055	⊕	Socket & ret. assy. (cigar lighter)
04297	B7T 9104297-A	Mldg. - L. H.	15072	⊕	Lamp assy. (cigar lighter)
04439	B6A 7004439-A	Retainer (instr. panel moulding)	15A404	⊕	Wiring assy. (marker lamp to switch)
04810	B7C 8104810-A	Receptacle (ash)	15A413	C1TF 15A413-A	Nut (marker lamp switch ret.)
04826	B7C 8104826-A	Retainer (ash receptacle)	15443	⊕	Switch assy. (marker lamp blinker)
04830	B9T 8104830-A	Knob (glove compt. door)-1957/61	15469	C1TF 15469-A	Bezel (marker lamp switch)-1961/
06010	C1TZ 9106010-A	Compartment assy. (glove)	17255	⊕	Speedometer assy. (less printed circuit basic 10843)-1961/
	*353907-S	Bumper (glove compt. door)	17260	⊕	Speedometer cable assy.
06024	C3TZ 9106024-A	Door assy. (glove compt.)	17264	⊕	Clip (speedometer cable)
#06064	C2DZ 8406064-A	Catch (glove compt. door lock)	17A270	⊕	Joint (speedo. cable angle drive)
#06072	C1TB 9106072-A	Latch (glove compt. door)	17289	⊕	Plate (speedometer mtg.)
06112	B7C 8106112-A	Spring (assist)-R. H.			
06113	B7C 8106113-A	Spring (assist)-L. H.	17360	⊕	Tachometer assy.
06164	C1TB 8106164-A	Knob (glove compt. door)-1962/	17365	⊕	Cable assy. (tachometer)
10804	⊕	Regulator (voltage)	17368	⊕	Bracket (tachometer mounting)
10B841	C1TF 10B841-A	Retainer assy. (instr. control cable grommet)	17470	⊕	Control assy. (windshield wiper)
10843	C1TZ 10843-B	Plate kit (back-printed circuit)-1961/	17512	⊕	Nut (windshield wiper control)
10850	⊕	Ammeter	17513	⊕	Knob assy. (w/s wiper or heater)
10B850	C1TF 10B850-AP	Cover (adapter housing)	17A553	⊕	Switch assy. (w/s wiper electric)
10852	B7C 10852-A	Bezel-wiper	*18532	18532	Bracket (heater control mounting)
	B7C 10852-B	Bezel-choke	*18532	18532	Bracket (htr. control mtg.)-recirc.
	B7C 10852-E	Bezel-lights	18552	B8T 18552-A	Control assy. (heater)
	B7C 10852-G	Bezel-heater	18578	⊕	Switch assy. (heater)
	B7T 10852-A	Bezel-vent	*18A586	18A586	Wire assy. (heater switch to blower motor)-forced air
	B7Y 10852-A	Bezel-throttle	*18A668	18A668	Bezel (heater control)
	C1TF 10852-B	Bezel-carb. primer-hold 10 second.	18805	⊕	Radio kit (less antenna)
	C1TF 10852-A	Bezel-"L. fuel tanks R."	18808	⊕	Speaker (radio receiver)
10876	C0TZ 10876-A	Bezel	18817	⊕	Knob (radio)
10880	⊕	Glass	18830	C3TZ 18830-A	Disc (radio)
10883	⊕	Gauge (temperature)	18985	C0TZ 18985-A	Grille (radio receiver speaker)
10A885	C1TF 10A885-A	Plate (ignition switch mounting)	18A952	B7LY 18A952-A	Choke (radio suppression)
10890	⊕	Mask			
10A898	C1TF 10A898-A	Grommet (instr. control cable)			
10A920	⊕	Wiring (low vac. warning light)			
10928	C1TF 10928-AP	Housing (instr. cluster adapter)			

and suffix required

Used on H-HT850/1000 only

* Refer to Soft Trim Section



BUY IT NOW!

Click Here To Order



INDEX

THIS INDEX SECTION INCLUDES THE FOLLOWING MAJOR GROUPS:

BRAKE AIR CHAMBER
BRAKE BOOSTERS
BRAKE BOOSTER INSTALLATION
BRAKE and CLUTCH PEDALS
BRAKE MASTER CYLINDERS
BRAKE SYSTEMS

BRAKE WHEEL CYLINDERS
DIESEL BRAKE VACUUM PUMPS
FRONT and REAR BRAKES
PARKING BRAKES
SPARE WHEEL CARRIERS
WHEELS, HUBS and DRUMS

YEAR 19...	TITLE	MODEL	SECTION	PAGE	ILLUS. NO.
---------------	-------	-------	---------	------	---------------

B SERIES

YEAR 19...	TITLE	MODEL	SECTION	PAGE	ILLUS. NO.
BRAKE AIR CHAMBER					
63/	Parking brake & safety air chamber-rear wheel (Maxibrake)	B600/750	21	49	P-4131
BRAKE BOOSTERS					
57/62	Brake booster (air)	B700/750	23	129	P-1483
57/62	Brake booster (vacuum)(12 3/4" Bendix diaphragm type)	B600/750	23	127	P-1481
63/	Brake booster (vacuum)(dash mounted)(Midland-Ross)	B500/750	23	130	P-4143
63/	Brake booster (vacuum)(12 3/4" Bendix diaphragm type)	B600/750	23	132	P-4216
63/	Brake booster (vacuum)(11" Bendix diaphragm type)	B700/750	23	133	P-4217
BRAKE BOOSTER INSTALLATION					
61/	Brake booster (vacuum & air)(frame mounted) - Typical	B600/750	22	115	P-5248
61/62	Brake booster (Vacuum)(frame mounted) - Typical	B500	22	122	P-5263
63/	Brake booster (vacuum) (dash mounted) (Midland-Ross) and frame mounted reservoir installation		23	136	P-4160
BRAKE & CLUTCH PEDALS					
57/60	Brake & clutch pedals & related parts	B500/750	24	148	P-2321
61/	Brake & clutch pedals & related parts	B500/750	24	150	P-3584
BRAKE MASTER CYLINDERS					
57/	Brake master cylinder - Typical	B500/750	21	47	P-2325
BRAKE SYSTEMS					
61/	Air brake system - front section installation (8 cyl. 292)	B600/750	22	67	P-3874
61/63	Air brake system - front section installation (8 cyl. 302, 332)	B600/750	22	67	P-3874
61/	Air brake system - rear section installation - Typical	B600/750	22	68	P-3875
61/	Front brake air limiting valves	B700/750	22	101	P-3870
57/60	Hydraulic brake system - Typical	B500/600	22	51	P-2317
57/60	Hydraulic brake system - Typical	B700/750	22	53	P-1482
60	Hydraulic brake system (with vacuum booster) - Typical	B500/750	22	56	P-3203
61/	Hydraulic vacuum brake system with frame mounted vacuum & air boosters and vacuum reservoir installation - Typical	B600/750	22	115	P-5248
61/62	Hydraulic vacuum brake system with frame mounted vacuum booster - Typical	B500	22	122	P-5263
63/	Maxi air parking brake installation & Tractor Trailer Emergency Air Supply	B600/750	22	89	P-4550
63/	Maxi air parking brake tube installation with Eaton & Timken 17M, 18M rear axles	B600/750	22	90	P-4553
BRAKE WHEEL CYLINDERS					
57/	Front brake cylinder - Typical	B500/750	21	46	P-1423
57/	Rear brake cylinder - Typical	B500/750	21	46	P-1424
FRONT and REAR BRAKES					
57/	Front and rear cam air brakes - Typical	B600/750	21	44	P-2062
57/	Front brake - Typical	B500/700	21	42	P-3718
61/	Front brake (14" x 2 1/2") - Typical	B700	21	42	P-3718
57/	Front brake (double anchor type)	B700/750	21	43	P-2063
57/	Rear brake - Typical	B500/750	21	42	P-3719
57/	Rear brake (15" x 4 1/2") - Typical	B700	21	42	P-3719
57/	Rear brake (except 15" x 4 1/2")	B700	21	43	P-2064
57/	Rear brake - Typical	B750	21	43	P-2064
PARKING BRAKES					
57/58	Parking brake - Typical	B500/700	26	152	P-1414
57/58	Parking brake - Typical	B700/750	26	153	P-1416
58/	Parking brake system - internal type - Typical	B500/750	26	159	P-3229
59/	Parking brake (internal shoe)(9" x 2" & 9" x 3")	B500/750	26	154	P-2848
	me mounted)	B500/750	14	38	P-5322

**BUY IT NOW!**

Click Here To Order



INDEX

YEAR 19__	TITLE	MODEL	SECTION	PAGE	ILLUS. NO.
B SERIES					
WHEEL, HUBS and DRUMS					
57/	Front wheel parts	B500	10	23	P-2004
57/	Front wheel parts	B600	10	23	P-2005
57/60	Front wheel parts-disc type (tubeless tires)-Typical	B700/750	10	24	P-2052
57/	Front wheel parts-disc type (tube tires)-Typical	B500/600	10	31	P-649
57/	Front wheel parts-disc type (tube tires)-Typical	B700/750	10	31	P-1390
61/	Front wheel parts-disc type-6M thru 15M front axles-Typical	B600/750	10	26	P-3523
57/	Front wheel parts-spoke type (tube tires)-Typical	B700/750	10	33	P-1185
61/	Front wheel parts-spoke type-6M thru 15M front axles-Typical	B600/750	10	26	P-3524
C-CT SERIES					
BRAKE AIR CHAMBER					
62/	Parking brake & safety air chamber-rear wheel (Maxibrake)	C600/1000, CT750/950	21	49	P-4131
BRAKE BOOSTERS					
57/62	Brake booster (10" Midland diaphragm type)	C500/600	23	125	P-1480
57/62	Brake booster (air)	C700/950	23	129	P-1483
57/62	Brake booster (vacuum)(9 1/2" Bendix piston type)	C800/950	23	126	P-645
57/62	Brake booster (vacuum)(12 3/4" Bendix diaphragm type)	C600/850	23	127	P-1481
63	Brake booster (vacuum)(9 1/2" Bendix piston type)	C800/950	23	131	P-4215
63/	Brake booster (vacuum)(12 3/4" Bendix diaphragm type)	C600/850	23	132	P-4216
63/	Brake booster (vacuum)(11" Bendix diaphragm type)	C700/750	23	133	P-4217
BRAKE BOOSTER INSTALLATION					
61/63	Brake booster (vacuum)(frame mounted)(8 cyl. 292, 302, 332, 401, 477) - Typical	C700/950	22	120	P-5259
63/	Brake booster (vacuum)(frame mounted)(Dagenham 6 cyl. 330 Diesel) - Typical	C6000/7000	22	121	P-5261
61/63	Brake booster (vacuum)(frame mounted)(6 cyl. 262 & 8 cyl. 292) - Typical	C550/600	22	119	P-5258
BRAKE & CLUTCH PEDALS					
57/	Brake & clutch pedals & related parts	C500/1100, CT750/950	24	149	P-2330
BRAKE MASTER CYLINDERS					
57/	Brake master cylinder - Typical	C500/1100, CT750/950	21	47	P-2331
BRAKE SYSTEMS					
57/60	Air brake system	C700/950	22	57	P-2340
61/	Air brake system (99", 111" w/b)(8 cyl. 292)	C550/800	22	60	P-3884
61/63	Air brake system (99", 111" w/b)(8 cyl. 302, 332)	C550/800	22	60	P-3884
61/	Air brake system (99" & 111" w/b)(8 cyl. 401, 477, 534)	C850/1100	22	61	P-3882
61/	Air brake system-rear section installation-135", 153", 175" w/b - Typical	C600/1100	22	69	P-3883
62/	Air brake system-rear section installation-135", 153" w/b - (8 cyl. 332, 401, 477, 534) - Typical	CT750/850	22	71	P-3888
62/	Air brake system-rear section installation (135", 153" w/b) - (8 cyl. 401, 477, 534) - Typical	CT950	22	72	P-3889
62/	Air brake system-rear section installation (161" w/b)(8 cyl. 332, 401, 477, 534) - Typical	CT750/950	22	73	P-3890
63/	Air brake system-hand control valve	CT750/950	22	105	P-4126
59/60	Air brake system-Tractor Trailer	C700/1100	22	75	P-2938
61/	Air brake system-Tractor Trailer	C600/1100	22	77	P-3861
61/	Front brake air limiting valves	C750/1100	22	102	P-3871
61/63	Hydraulic vacuum brake system with frame mounted vacuum booster (6 cyl. 262 & 8 cyl. 292) - Typical	C550/600	22	119	P-5258
61/63	Hydraulic vacuum brake system with frame mounted vacuum booster (8 cyl. 292, 302, 332, 401, 477) - Typical	C700/950	22	120	P-5259
63/	Hydraulic vacuum brake system with frame mounted vacuum booster (Dagenham 6 cyl. 330 Diesel) - Typical	C600/700	22	121	P-5261
57/60	Hydraulic brake system (with vacuum booster) - Typical	C550/950	22	55	P-2339



BUY IT NOW!

Click Here To Order



INDEX

YEAR 19__	TITLE	MODEL	SECTION	PAGE	ILLUS. NO.
C-CT SERIES					
BRAKE SYSTEMS - continued					
63/66	Maxi air parking brake installation & Tractor Trailer Emergency Air Supply	C600/1100,CT750/950	22	84	P-4552
63/	Maxi air parking brake tube installation with Eaton & Timken 17M, 18M rear axles	C600/750	22	90	P-4553
63/	Maxi air parking brake tube installation with Eaton & Timken 17M, 18M, 21M, 23M rear axles	C800/1100	22	91	P-4554
BRAKE WHEEL CYLINDERS					
57/	Front brake cylinder - Typical	C500/950	21	46	P-1423
57/	Rear brake cylinder - Typical	C500/950	21	46	P-1424
DIESEL BRAKE VACUUM PUMPS					
62/63	Brake vacuum pump & crankcase ventilation pump with Pneumatic Governor (6 cyl. 330 Dagenham Diesel)	C600/700	22	106	P-3925
63/66	Brake vacuum pump & crankcase ventilation pump with Mechanical Governor (6 cyl. 330 Dagenham Diesel) - Typical	C600/700	22	107	P-4532
FRONT and REAR BRAKES					
57/	Front and rear cam air brakes - Typical	C550/1100,CT750/950	21	44	P-2062
57/	Front brake - Typical	C550/700	21	42	P-3718
61/	Front brake (14" x 2 1/2") - Typical	C700	21	42	P-3718
57/	Rear brake	C550/600	21	42	P-3719
57/	Rear brake (15" x 4 1/2") - Typical	C700	21	42	P-3719
57/	Front brake (double anchor type)	C700/950	21	43	P-2063
57/	Rear brake (except 15" x 4 1/2")	C700	21	43	P-2064
57/	Rear brake - Typical	C700/950	21	43	P-2064
PARKING BRAKES					
57/58	Parking brake system - Typical	C550/950	26	158	P-2320
58/	Parking brake (internal shoe)(12" x 4")	C800/1100	26	154	P-2847
58/	Parking brake system - internal type - Typical	C550/1100,CT750/950	26	160	P-3230
59/	Parking brake (internal shoe)(9" x 2" & 9" x 3")	C550/850	26	154	P-2848
61/	Parking brake system for Warner 4 speed trans. & Clark 5 speed. M/D, H/D trans.	C550/1100	26	165	P-3596
61/	Parking brake system for Fuller Roadranger, Spicer 5000 & 6000 series & Transmatic trans.	C750/1100,CT750/950	26	166	P-3597
62/	Parking brake & Safety Air Chamber-rear wheel (Maxibrake)	C600/1000, CT750/950	21	49	P-4131
SPARE WHEEL CARRIERS					
57/	Spare wheel carrier (frame mounted)	C550/1100	14	38	P-5322
WHEELS, HUBS and DRUMS					
57/60	Front wheel parts-disc type (tubeless tires)-Typical	C550/950	10	24	P-2052
61/	Front wheel parts-disc type-6M thru 15M front axles-Typical	C550/1100,CT750/950	10	26	P-3523
57/	Front wheel parts-disc type (tube tires)-Typical	C550/600	10	31	P-649
57/	Front wheel parts-disc type (tube tires)-Typical	C750/950	10	32	P-1387
57/60	Front wheel parts-spoke type (tubeless tires)-Typical	C700/850	10	24	P-2051
61/	Front wheel parts-spoke type-6M thru 15M front axles-Typical	C550/1100,CT750/950	10	26	P-3524
57/	Front wheel parts-spoke type (tube tires)-Typical	C750/950	10	33	P-1388
57/	Rear wheel parts-spoke type	C800/850	10	28	P-2053
57/	Hub cap and wheel cover - Refer to Text Group 1130	C-CT500/1100			



BUY IT NOW!

Click Here To Order



INDEX

YEAR 19__	TITLE	MODEL	SECTION	PAGE	ILLUS. NO.
--------------	-------	-------	---------	------	---------------

E SERIES

BRAKE MASTER CYLINDERS					
61/	Brake master cylinder	E100	21	48	P-3374
BRAKE SYSTEMS					
61/63	Hydraulic brake system	E100	22	50	P-3384
BRAKE WHEEL CYLINDERS					
57/	Front brake cylinder - Typical	E100/300	21	46	P-1423
57/	Rear brake cylinder - Typical	E100/300	21	46	P-1424
FRONT and REAR BRAKES					
61/63	Front & rear brakes	E100	21	39	P-3370
SPARE WHEEL CARRIERS					
61/	Spare wheel carrier & lock kit installation	E100	14	34	P-3707
WHEEL, HUBS and DRUMS					
61/	Front wheel parts-Typical	E100	10	22	P-1381
61/	Hub cap and wheel cover - Refer to Text Group 1130	E100			

F SERIES

BRAKE AIR CHAMBER					
62/	Parking brake & safety air chamber-rear wheel (Maxibrake)	F800/I000	21	49	P-4131
BRAKE BOOSTERS					
57/60	Brake booster (5 1/16" Midland diaphragm type)	F100	23	123	P-2337
57/	Brake booster (6 3/4" Bendix piston type)	F350	23	124	P-2338
57/60	Brake booster (6 3/4" Bendix piston type)	F250	23	124	P-2338
57/62	Brake booster (10" Midland diaphragm type)	F500/600	23	125	P-1480
57/62	Brake booster (air)	F600/950	23	129	P-1483
57/62	Brake booster (vacuum)(9 1/2" Bendix piston type) - Typical	F800/950	23	126	P-645
57/62	Brake booster (vacuum)(12 3/4" Bendix diaphragm type)	F600/850	23	127	P-1481
63/	Brake booster (vacuum)(dash mounted)(Midland-Ross)	F350/750	23	130	P-4143
63/	Brake booster (vacuum)(9 1/2" Bendix piston type)	F800/950	23	131	P-4215
63/	Brake booster (vacuum)(12 3/4" Bendix diaphragm type)	F600/850	23	132	P-4216
63/	Brake booster (vacuum)(11" Bendix diaphragm type)	F700/750	23	133	P-4217
BRAKE BOOSTER INSTALLATION					
63/	Brake booster (vacuum)(dash mounted)(Midland-Ross) and frame mounted reservoir installation	F350/700	23	136	P-4160
61/	Brake Booster (vacuum and air)(frame mounted) - Typical	F700/950	23	141	P-5249
61/	Brake booster (vacuum & air)(frame mounted) - Typical	F600/750	22	115	P-5248
61/62	Brake booster (vacuum)(frame mounted) - Typical	F350/500	22	122	P-5263
BRAKE & CLUTCH PEDALS					
57/60	Brake & clutch pedals & related parts	F100/1100	24	148	P-2321
61/	Brake & clutch pedals & related parts	F350/750	24	150	P-3584
61/	Brake & clutch pedals & related parts	F100/250	24	150	P-3584
61/	Brake & clutch pedals & related parts	F800/1100	24	151	P-3586
BRAKE MASTER CYLINDERS					
57/	Brake master cylinder - Typical	F100/1100	21	47	P-2325
61/	Brake master cylinder	F100/250	21	48	P-3429
BRAKE SYSTEMS					
58/60	Air brake system (8 cyl. 401, 477, 534)	F800/1100	22	59	P-2957
61/	Air brake system-front section installation (8 cyl. 292)	F600/750	22	67	P-3874
61/63	Air brake system-front section installation (8 cyl. 302, 332)	F600/750	22	67	P-3874
61/	Air brake system (less compressor)	F750/1100	22	62	P-3876
61/	Air brake system-rear section installation - Typical	F600/750	22	68	P-3875
59/60	Air brake system-Tractor Trailer	F700/1100	22	74	P-2923
61/	Air brake system-Tractor Trailer	F600/750	22	76	P-3860
61/62	Air brake system-Tractor Trailer	F800/950	22	76	P-3860
63/	Air brake system-Tractor Trailer (8 cyl. 401, 477, 534)	F800/1100	22	81	P-4124
61/63	Air brake system compressor installation (8 cyl. 302, 332)	F800	22	98	P-3865
61/	Air brake system compressor installation (8 cyl. 401, 477, 534)	F850/1000	22	98	P-3866
61/	Air/hydraulic brake system (8 cyl. 332, 401, 477) - Typical	F800/950	22	113	P-5246



BUY IT NOW!

Click Here To Order



INDEX

YEAR 19---	TITLE	MODEL	SECTION	PAGE	ILLUS. NO.
F SERIES					
BRAKE SYSTEMS - continued					
57/60	Hydraulic brake system - Typical	F350/600	22	51	P-2317
57/60	Hydraulic brake system - Typical	F700/850	22	53	P-1482
60	Hydraulic brake system (with vacuum booster) - Typical	F500/850	22	56	P-3203
61/66	Hydraulic brake system	F100/250 (4 x 2)	22	108	P-5236
61/66	Hydraulic brake system	F100/250 (4 x 4)	22	109	P-5237
61/67	Hydraulic brake system (w/frame mounted vacuum & air boosters and vacuum reservoir installation - Typical)	F600/750	22	115	P-5248
61/62	Hydraulic vacuum brake system (w/frame mounted vacuum booster) - Typical	F350/500	22	122	P-5263
61/67	Hydraulic vacuum brake system	F750/950	22	111	P-5243
61/	Front brake air limiting valves	F700/1100	22	101	P-3870
63/	Maxi air parking brake installation & Tractor Trailer Emergency Air Supply	F600/750	22	89	P-4550
63/	Maxi air parking brake tube installation with Eaton & Timken 17M & 18M rear axles	F600/750	22	90	P-4553
63/69	Maxi air parking brake tube installation with Eaton & Timken 17M, 18M, 21M, 23M rear axles	F800/1100	22	91	P-4554
63/69	Maxi air parking brake installation - Typical	F800/1100	22	92	P-4551
BRAKE WHEEL CYLINDERS					
57/	Front brake cylinder - Typical	F100/950	21	46	P-1423
57/	Rear brake cylinder - Typical	F100/950	21	46	P-1424
FRONT and REAR BRAKES					
57/	Front and rear cam air brakes - Typical	F600/1100	21	44	P-2062
57/63	Front & rear brakes - Typical	F100	21	40	P-678
57/	Front & rear brakes - Typical	F250/350	21	41	P-1544
57/	Front brake - Typical	F500/750	21	42	P-3718
61/	Front brake (14" x 2 1/2") - Typical	F700	21	42	P-3718
57/	Front brake (double anchor type)	F700/950	21	43	P-2063
57/	Rear brake (except 15" x 4 1/2")	F700	21	43	P-2064
57/	Rear brake - Typical	F750/950	21	43	P-2064
57/	Rear brake - Typical	F500/750	21	42	P-3719
57/	Rear brake (15" x 4 1/2") - Typical	F700	21	42	P-3719
PARKING BRAKES					
57/58	Parking brake - Typical	F500/700	26	152	P-1414
57/58	Parking brake - Typical	F700/950	26	153	P-1416
57/60	Parking brake system - Typical	F100/250	26	155	P-2319
57/	Parking brake system - transmission mounted	F350	26	168	P-5372
58/69	Parking brake (internal shoe)(12" x 4")	F800/1100	26	154	P-2847
58/66	Parking brake system - internal type - Typical	F500/800	26	159	P-3229
59/	Parking brake (internal shoe)(9" x 2" & 9" x 3")	F350/850	26	154	P-2848
61/66	Parking brake system - Typical	F100/250	26	167	P-4867
62/69	Parking brake & Safety Air Chamber-rear wheel (Maxibrake)	F800/1000	21	49	P-4131
63/69	Parking brake (Spicer auxiliary trans. 7041)	F950/1100	71	454	P-4063
SPARE WHEEL CARRIERS					
57/	Spare wheel carrier (flare side)	F100/250	14	35	P-2602
57/	Spare wheel carrier (flare side)	F350	14	35	P-2603
57/	Spare wheel carrier (style side)	F100/350	14	36	P-2604
57/	Spare wheel carrier (frame mounted)	F100/350	14	37	P-5321
57/	Spare wheel carrier (frame mounted)	F500/1100	14	38	P-5322



BUY IT NOW!

Click Here To Order



INDEX

YEAR 19_ _	TITLE	MODEL	SECTION	PAGE	ILLUS. NO.
F SERIES					
WHEELS, HUBS and DRUMS					
57/	Front wheel parts - Typical	F100	10	22	P-1381
57/	Front wheel parts	F250/350	10	22	P-1382
57/	Front wheel parts	F500	10	23	P-2004
57/	Front wheel parts	F600	10	23	P-2005
57/	Front wheel parts-dual rear wheel - Typical	F350	10	25	P-2003
57/60	Front wheel parts-disc type (tubeless tires) - Typical	F700/950	10	24	P-2052
57/	Front wheel parts - disc type (tube tires) - Typical	F700/750	10	31	P-1390
57/	Front wheel parts - disc type (tube tires) - Typical	F750/950	10	32	P-1387
57/	Front wheel parts - disc type (tube tires) - Typical	F350	10	32	P-1384
57/	Front wheel parts - disc type (tube tires) - Typical	F500/600	10	31	P-649
61/	Front wheel parts - disc type-6M thru 15M front axles - Typical	F600/1100	10	26	P-3523
57/60	Front wheel parts-spoke type (tubeless tires) - Typical	F800/850	10	24	P-2051
57/	Front wheel parts - spoke type (tube tires)-Typical	F700/750	10	33	P-1185
61/	Front wheel parts - spoke type-6M thru 15M front axles - Typical	F600/1100	10	26	P-3524
57/	Front wheel parts - spoke type (tube tires) - Typical	F750/950	10	33	P-1388
61/	Front wheel drive hub lock parts (Dana)	F100/250 (4x4)	10	27	P-4366
57/	Rear dual wheel parts-disc type (tubeless tires) - Typical	F350	10	28	P-2474
57/69	Rear wheel parts-spoke type	F800/850	10	28	P-2053
57/69	Rear wheel parts - spoke type (tube tires) - Typical	F800/950	10	25	P-1186
57/	Hub cap and wheel cover - Refer to Text Group 1130	F100/1100			

H-HT SERIES

BRAKE SYSTEMS					
61/66	Air brake system (less compressor) - Typical	H950/1000	22	64	P-3885
61/66	Air brake system (less compressor)(Hendrickson & Rockwell Standard Lightweight Suspension) - Typical	HT850/950	22	65	P-3886
61/66	Air brake system compressor installation (8 cyl. 401, 477, 534)	H950/1000,HT850/950	22	99	P-3867
61/66	Air brake system compressor installation (Cummins Diesel)	H950/1000,HT850/950	22	100	P-3868
61/66	Air brake system-rear section installation	HT850/950	22	70	P-3887
61/66	Air brake system-Tractor Trailer (246" w/b)	H950/1000,HT850/950	22	78	P-3862
61/66	Air brake system-Tractor Trailer (exc. 246" w/b)	H950/1000,HT850/950	22	79	P-3863
63/66	Air brake tube installation with Timken SLDD, SQDD, SRDD, SUDD & SFDD tandem axles	HT950	22	82	P-4556
61/66	Front brake air limiting valves	H950/1000	22	102	P-3872
63/66	Maxi air parking brake tube installation with Eaton & Timken 17M, 18M, 21M, 23M rear axles	H1000, (HT950-diesel)	22	91	P-4554
63/66	Maxi air parking brake tube installation with Eaton 30D, 34D, 34M, 38D & Timken SLHD & SQHD tandem axles	HT950	22	93	P-4555
63/66	Maxi & stopmaster w/Failsafe air brake installation-front section - Typical	H1000, HT950	22	85	P-4561
63/66	Maxi & Stopmaster with Failsafe air brake tube installation (on frame)-for Timken SLHD (34M) & SQHD (38M)-tandem axles with Timken Light Weight and Hendrickson Suspensions	HT950	22	86	P-4571
63/66	Stopmaster with Failsafe air brake tube installation with Timken 18, 5M, 22M & 23M axles	H1000	22	88	P-4559
63/66	Stopmaster with Failsafe air brake tube installation with Timken (38M) axle and Timken light weight or Hendrickson suspension	HT950	22	83	P-4558
63/66	Stopmaster with Failsafe air brake tube installation with Eaton or Timken rear axles and Page & Page suspension)	HT950	22	87	P-4560
63/66	Stopmaster with Failsafe air brake tube installation with Timken SLHD (34M) axle and Timken light weight or Hendrickson suspension	HT950	22	88	P-4557
FRONT and REAR BRAKES					
61/66	Front and rear cam air brakes - Typical	H-HT850/1000	21	44	P-2062
63/66	Front & rear Stopmaster (Rockwell Standard)-air brakes - w/manual & automatic adjusters-Standard & Failsafe air	H1000, HT950	21	45	P-4115

100% SATISFACTION GUARANTEED

BUY IT NOW!

Click Here To Order

PayPal, Discover, American Express, MasterCard, VISA

INDEX

YEAR 19__	TITLE	MODEL	SECTION	PAGE	ILLUS. NO.
--------------	-------	-------	---------	------	---------------

H-HT SERIES

PARKING BRAKES					
61/66	Parking brake system-Orscheln (Fuller R-46 transmission)	H950/1000,HT850/950	26	161	P-3498
61/66	Parking brake system-Orscheln (Spicer 5000 & 6000 trans.w/or w/o 3-speed 7000 aux. trans. or 3 & 4 speed 8000 aux. trans.)	H950/1000,HT850/950	26	162	P-3499
61/66	Parking brake system-Orscheln (Spicer 5 speed 8000 trans. w/or w/o 3 speed 8031 aux. trans.)	H950/1000,HT850/950	26	163	P-3500
61/66	Parking brake system-Orscheln (Fuller 5W74, R96, R960 trans. & Spicer 6000 series & 8125 trans.)	H950/1000,HT850/950	26	164	P-3501
62/66	Parking brake & Safety Air Chamber-rear wheel (Maxibrake)	H-HT850/1000	21	49	P-4131
63/66	Parking brake (Spicer Aux. Trans. 7041)	H-HT850/1000	71	454	P-4063
WHEELS, HUBS and DRUMS					
61/66	Rear wheels, pulley & belts - Page & Page Suspension	HT850/950	10	29	P-3535
61/66	Rear wheels & brakes - Page & Page Suspension - 18M forward rear (dead) axle	HT850/950	10	30	P-3551

N-NT SERIES

BRAKE AIR CHAMBER					
62/	Parking brake & safety air chamber-rear wheel (Maxibrake)	N-NT850/950	21	49	P-4131
BRAKE BOOSTERS					
63/	Brake booster (vacuum)(dash mounted)(Midland-Ross)	N500/750	23	130	P-4143
63	Brake booster (vacuum)(9 1/2" Bendix piston type)	N-NT850/950	23	131	P-4215
63/	Brake booster (vacuum)(12 3/4" Bendix diaphragm type)	N600/850	23	132	P-4216
63/69	Brake booster (vacuum)(11" Bendix diaphragm type)(Diesel)	N600/700	23	133	P-4217
63/69	Brake booster (vacuum)(11" Bendix diaphragm type)(Gas)	NT850	23	134	P-4218
BRAKE BOOSTER INSTALLATION					
63/67	Brake booster (vacuum)(dash mounted)(Midland-Ross) and frame mounted reservoir installation	N500/700	23	137	P-4161
63/67	Brake booster (vacuum)(frame mounted)(Bendix 8 1/8" & 10 1/4" diaphragm type) & reservoir installation-Gas & Diesel	N600/750	23	138	P-4162
63/69	Brake booster (air/hydraulic)(frame mounted) and air reservoir installation	N600/750	23	143	P-5254
63/69	Brake booster (vacuum and air)(frame mounted) - Typical	N850/950	23	144	P-5255
63/69	Brake booster (vacuum)(frame mounted) and reservoir tanks - Typical	N850/950	23	145	P-5256
63/69	Brake booster (frame mounted dual vacuum) - Typical	NT850	23	146	P-5257
BRAKE and CLUTCH PEDALS					
63/69	Brake & clutch pedals & related parts	N-NT500/1100	24	151	P-3586
BRAKE SYSTEMS					
63/69	Air brake & air/hydraulic brake systems (compressor installation)	N600	22	96	P-4121
63/64	Air brake system compressor installation (8 cyl. 292)	N600/750	22	94	P-4116
63	Air brake system compressor installation (8 cyl. 302, 332)	N600/750	22	94	P-4116
63/69	Air brake system compressor installation (8 cyl. 401, 477, 534)	N850/1100,NT850/950	22	95	P-4117
63/69	Air brake system compressor installation (Cummins NH Diesel)	NI000,NT850/950	22	96	P-4118
63/66	Air brake system compressor installation (Dagenham 6 cyl. 330 Diesel)	N600/700	22	97	P-4122
63/69	Air brake system compressor installation (8 cyl. 401, 477, 534)	N850/1000,NT850/950	22	98	P-3866
63/69	Air brake system-hand control valve	NT850/950	22	104	P-4125
63/69	Air brake system-Tractor Trailer-Gas	N600/1100,NT850/950	22	80	P-4123
63/67	Hydraulic vacuum brake system	N500/750	22	116	P-5251
63/69	Hydraulic vacuum brake system	NT850	22	117	P-5252
63/69	Hydraulic vacuum and air/hydraulic brake system - Typical	N850/950	22	118	P-5253
63/69	Maxi air parking brake installation - Typical	N850/1100	22	92	P-4551
63/69	Maxi air parking brake installation & Tractor Trailer Emergency Air Supply	N600/750, NT850/950	22	89	P-4550
63/69	Maxi air parking brake tube installation with Eaton & Timken 17M & 18M rear axles	N600/750	22	90	P-4553
63/69	Maxi air parking brake tube installation with Eaton & Timken 17M, 18M, 21M, 23M rear axles	N850/1000	22	91	P-4554
	Maxi air parking brake tube installation with Eaton 30D, 34D, & SQHD rear axles	NT850/950	22	93	P-4555

**BUY IT NOW!**

Click Here To Order



INDEX

YEAR 19___	TITLE	MODEL	SECTION	PAGE	ILLUS. NO.
---------------	-------	-------	---------	------	---------------

N-NT SERIES

BRAKE WHEEL CYLINDERS

57/	Front brake cylinder - Typical	N500/950,NT850	21	46	P-1423
57/	Rear brake cylinder - Typical	N500/950, NT850	21	46	P-1424

DIESEL BRAKE VACUUM PUMPS

63/66	Brake vacuum pump & crankcase ventilation pump with Mechanical Governor (6 cyl. 330 Dagenham Diesel) - Typical	N600/700	22	107	P-4532
-------	--	----------	----	-----	--------

FRONT and REAR BRAKES

63/69	Front and rear cam air brakes - Typical	N600/1100,NT850/950	21	44	P-2062
57/69	Rear brake (15" x 4 1/2") - Typical	N700	21	42	P-3719
61/69	Front brake (14" x 2 1/2") - Typical	N700	21	42	P-3718

PARKING BRAKES

63/69	Parking brake (internal shoe) (9" x 2" & 9" x 3")	N500/850	26	154	P-2848
63/69	Parking brake & Safety Air Chamber-rear wheel (Maxibrake)	N-NT850/1000	21	49	P-4131
63/69	Parking brake (Spicer auxiliary trans. 7041)	N-NT850/1000	71	454	P-4063
63/69	Parking brake system (Warner T98A, New Process 435, Clark 260, 265, 300 & Spicer 5000 Series trans.)	N500/750	26	169	P-5733
63/69	Parking brake system (Clark 300 & Spicer 5000, 6000 Series trans.)-without auxiliary trans.	N-NT850/1100	26	170	P-5734
63/69	Parking brake system (Spicer main & auxiliary trans.)(Diesel)	N-NT850/1100	26	171	P-5735
63/69	Parking brake system (Fuller 5 speed 5H74, 5H75, 10 speed R96 & Spicer 12 speed trans.)	N-NT850/1100	26	172	P-5736
63/69	Parking brake system (Fuller 8 speed R46 & 10 speed R96 trans.)	N-NT850/1100	26	173	P-5737
63/69	Parking brake system (Clark 300 & Spicer 5000, 6000, 8000 main trans. and Spicer auxiliary trans.)(Diesel)	N-NT850/1100	26	174	P-5738
63/69	Parking brake system (Fuller 5 speed 5H74, 5H75 trans.w/o aux. trans.)(Diesel)	N-NT850/1100	26	175	P-5739

SPARE WHEEL CARRIERS

63/69	Spare wheel carrier (frame mounted)	N500/1100	14	38	P-5322
-------	-------------------------------------	-----------	----	----	--------

WHEELS, HUBS and DRUMS

63/69	Front wheel-disc type-6M thru 15M front axles - Typical	N600/1100,NT850/950	10	26	P-3523
63/69	Front wheel-spoke type-6M thru 15M front axles - Typical	N600/1100,NT850/950	10	26	P-3524

P SERIES

BRAKE BOOSTERS

57/	Brake booster (6 3/4" Bendix piston type)	P350/500	23	124	P-2338
57/62	Brake booster (10" Midland diaphragm type)	P500	23	125	P-1480
63/	Brake booster (vacuum)(dash mounted)(Midland-Ross)	P500	23	130	P-4143

BRAKE BOOSTER INSTALLATION

57/	Brake booster (vacuum)(frame mounted)(Gas)	P350/500	23	139	P-5241
63/	Brake booster (vacuum)(frame mounted)(Diesel)	P350/500	23	140	P-5242

BRAKE and CLUTCH PEDALS

57/67	Brake & clutch pedals and related parts	P350/500	24	147	P-2398
-------	---	----------	----	-----	--------

BRAKE SYSTEMS

57/60	Hydraulic brake system - Typical	P350/500	22	51	P-2317
57/60	Hydraulic brake system - Typical	P350/500	22	52	P-935
60/66	Hydraulic brake system	P100	22	51	P-2317
61/	Hydraulic brake system	P500	22	110	P-5240
61/67	Hydraulic brake system	P350/400	22	110	P-5240

BRAKE WHEEL CYLINDERS

7/	Front brake cylinder - Typical	P100/500	21	46	P-1423
	ical	P100/500	21	46	P-1424

100% SATISFACTION GUARANTEED

BUY IT NOW!

Click Here To Order

PayPal American Express Discover MasterCard VISA

INDEX

YEAR 19 -	TITLE	MODEL	SECTION	PAGE	ILLUS. NO.
P SERIES					
DIESEL BRAKE VACUUM PUMPS					
63/66	Brake vacuum pump & crankcase ventilation pump with Mechanical Governor (4 cyl. 220 Dagenham Diesel) - Typical	P350/500	22	107	P-4532
FRONT and REAR BRAKES					
57/	Front & rear brakes - Typical	P350/400	21	41	P-1544
57/	Front brake - Typical	P500	21	42	P-3718
57/	Rear brake - Typical	P500	21	42	P-3719
PARKING BRAKES					
57/	Parking brake system	P350	26	155	P-2319
60/67	Parking brake system - Typical	P100	26	155	P-2319
57/	Parking brake system (with 3 speed M/D & H/D trans.)	P350/500	26	156	P-2318
57/	Parking brake-Orscheln (with 3 speed H/D & 4 speed trans.) - Typical	P350/500	26	157	P-2342
59/	Parking brake (internal shoe)(9" x 2" & 9" x 3")	P350/500	26	154	P-2848
SPARE WHEEL CARRIERS					
57/66	Spare wheel carrier (frame mounted)	P350/400	14	37	P-5321
57/	Spare wheel carrier (frame mounted)	P350/500	14	38	P-5322
WHEELS, HUBS and DRUMS					
57/	Front wheel parts - disc type (tube tires) - Typical	P500	10	31	P-649
57/	Front wheel parts - Typical	P350/400	10	22	P-1382
57/	Front wheel parts	P500	10	23	P-2004
57/	Hub cap and wheel cover - Refer to Text Group I130	P100/500			
57/	Rear dual wheel parts-disc type (tubeless tires) - Typical	P350/500	10	28	P-2474
T SERIES					
BRAKE AIR CHAMBER					
62/	Parking brake & safety air chamber-rear wheel (Maxibrake)	T850/950	21	49	P-4131
BRAKE BOOSTERS					
57/62	Brake booster (air)	T700/950	23	129	P-1483
57/62	Brake booster (vacuum)(9 1/2" Bendix piston type) - Typical	T700	23	126	P-645
57/62	Brake booster (vacuum)(9 1/2" Bendix tandem piston type)	T750/850	23	128	P-1907
63	Brake booster (vacuum)(9 1/2" Bendix piston type)	T700/850	23	131	P-4215
63/69	Brake booster (vacuum)(11" Bendix diaphragm type)(Gas)	T750/850	23	134	P-4218
BRAKE BOOSTER INSTALLATION					
57/62	Brake vacuum booster, reservoir, tubes & fittings	T750/850	23	135	P-1908
61/	Brake booster (vacuum and air)(frame mounted) - Typical	T700/850	23	141	P-5249
61/67	Brake booster (frame mounted dual vacuum) - Typical	T700/850	23	142	P-5250
BRAKE and CLUTCH PEDALS					
57/60	Brake & clutch pedals & related parts	T700/950	24	148	P-2321
BRAKE MASTER CYLINDERS					
	Typical	T700/950	21	47	P-2325



BUY IT NOW!

Click Here To Order



INDEX

YEAR 19__	TITLE	MODEL	SECTION	PAGE	ILLUS. NO.
T SERIES					
BRAKE SYSTEMS					
57/60	Air brake system (8 cyl. 272, 292, 302, 332)	T700/800	22	58	P-2608
58/60	Air brake system (8 cyl. 401, 477, 534)	T750/950	22	59	P-2957
61/63	Air brake system compressor installation (8 cyl. 302, 332)	T700/800	22	98	P-3865
61/69	Air brake system compressor installation (8 cyl. 401, 477, 534)	T850/950	22	98	P-3866
61/69	Air brake system (less compressor)	T700/950	22	63	P-3877
63/69	Air brake system (less compressor)-176", 194", 212" w/b-with Timken SLDD & SQDD axles	T800/850	22	66	P-3878
61/69	Air brake system-hand control valve	T700/950	22	103	P-3873
61/65	Air/hydraulic brake system (158", 176", 194" w/b)	T700	22	114	P-5247
59/60	Air brake system-Tractor Trailer	T700/950	22	74	P-2923
61/62	Air brake system-Tractor Trailer	T750/950	22	76	P-3860
63/69	Air brake system-Tractor Trailer (8 cyl. 401, 477, 534)	T700/750	22	81	P-4124
63/69	Air brake tube installation with Timken SLDD, SQDD, SRDD, SUDD & SFDD axles	T800/950	22	82	P-4556
61/69	Front brake air limiting valves	T700/950	22	101	P-3870
57/60	Hydraulic brake system - Typical	T700/850	22	54	P-1906
61/63	Hydraulic vacuum brake system	T700/850	22	112	P-5244
63/69	Maxi air parking brake installation & Tractor-Trailer Emergency Air Supply	T700/950	22	89	P-4550
63/69	Maxi air parking brake tube installation with Eaton 30D, 34D, 34M, 38D & Timken SLHD & SQHD rear axles	T800/950	22	93	P-4555
BRAKE WHEEL CYLINDERS					
57/	Front brake cylinder - Typical	T700/850	21	46	P-1423
57/	Rear brake cylinder - Typical	T700/850	21	46	P-1424
FRONT and REAR BRAKES					
57/	Front and rear cam air brakes - Typical	T700/950	21	44	P-2062
57/66	Front brake - Typical	T700	21	42	P-3718
57/69	Front brake (double anchor type)	T700/950	21	43	P-2063
57/66	Rear brake - Typical	T700	21	42	P-3719
57/66	Rear brake (15" x 4 1/2") - Typical	T700	21	42	P-3719
57/66	Rear brake (except 15" x 4 1/2")	T700	21	43	P-2064
57/69	Rear brake - Typical	T700/950	21	43	P-2064
PARKING BRAKES					
57/58	Parking brake - Typical	T700	26	152	P-1414
57/58	Parking brake - Typical	T700/950	26	153	P-1416
58/66	Parking brake system - internal type - Typical	T700/800	26	159	P-3229
58/69	Parking brake (internal shoe)(12" x 4")	T750/950	26	154	P-2847
59/69	Parking brake (internal shoe)(9" x 2" & 9" x 3")	T700/850	26	154	P-2848
62/69	Parking brake & Safety Air Chamber-rear wheel (Maxibrake)	T850/950	21	49	P-4131
63/69	Parking brake (Spicer auxiliary trans. 7041)	T850/950	71	454	P-4063
WHEELS, HUBS and DRUMS					
61/69	Front wheel parts-disc type-6M thru 15M front axles - Typical	T700/950	10	26	P-3523
57/60	Front wheel parts-spoke type (tubeless tires) - Typical	T750/800	10	24	P-2051
57/60	Front wheel parts-disc type (tubeless tires) - Typical	T700/950	10	24	P-2052
61/69	Front wheel parts-spoke type-6M thru 15M front axles-Typical	T700/950	10	26	P-3524
57/69	Hub cap and wheel cover - Refer to Text Group I130	T700/950			
57/69	Rear wheel parts-spoke type	T750/850	10	28	P-2053
57/66	Front wheel parts-disc type (tube tires) - Typical	T700	10	31	P-1390
57/69	Front wheel parts-disc type (tube tires) - Typical	T750/950	10	32	P-1387
57/66	Front wheel parts-spoke type (tube tires)-Typical	T700	10	33	P-1185
57/69	Front wheel parts-spoke type (tube tires)-Typical	T750/950	10	33	P-1388
57/69	Front wheel parts-spoke type (tube tires)-Typical	T700/950	10	25	P-1186

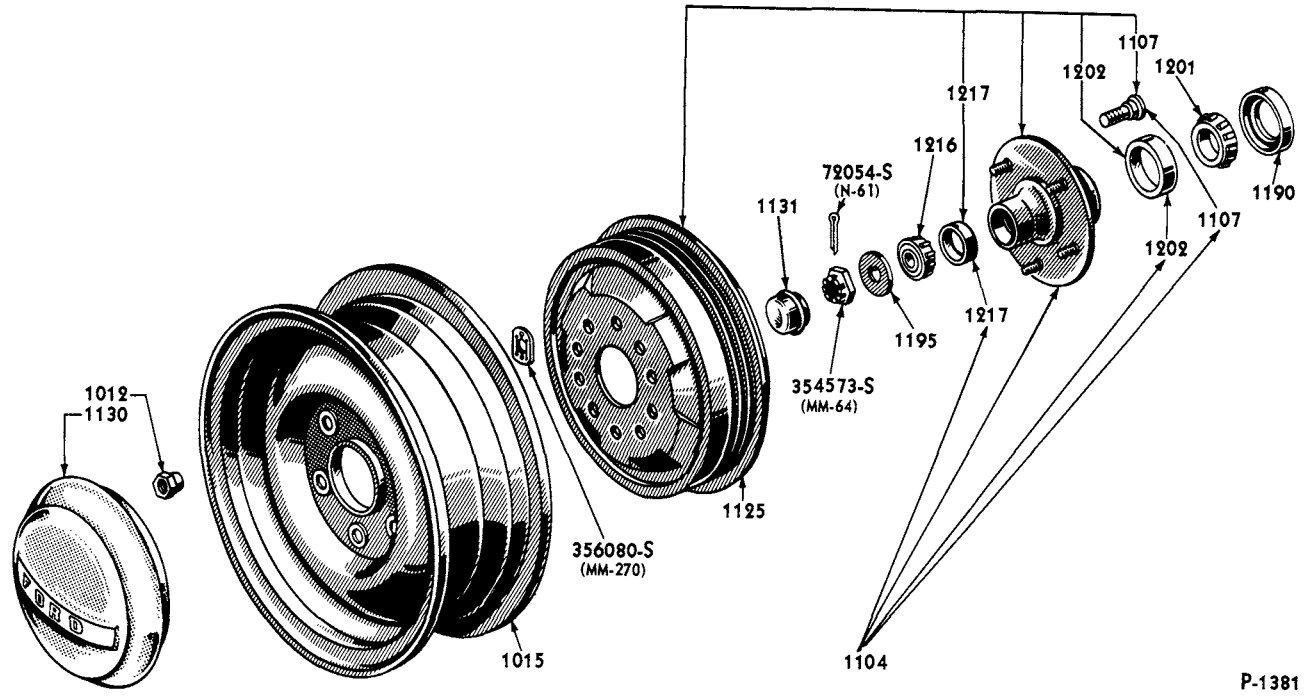


BUY IT NOW!

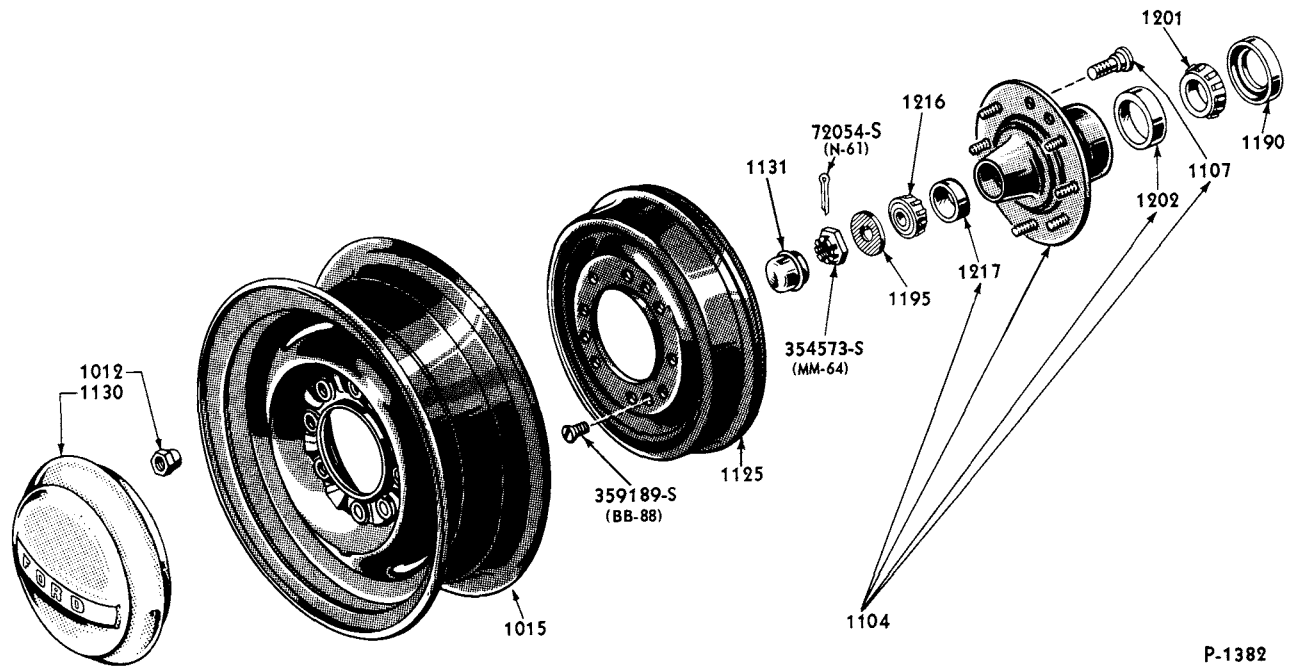
Click Here To Order



FORD TRUCK PARTS



FRONT WHEEL PARTS - TYPICAL
1957/ E-F100



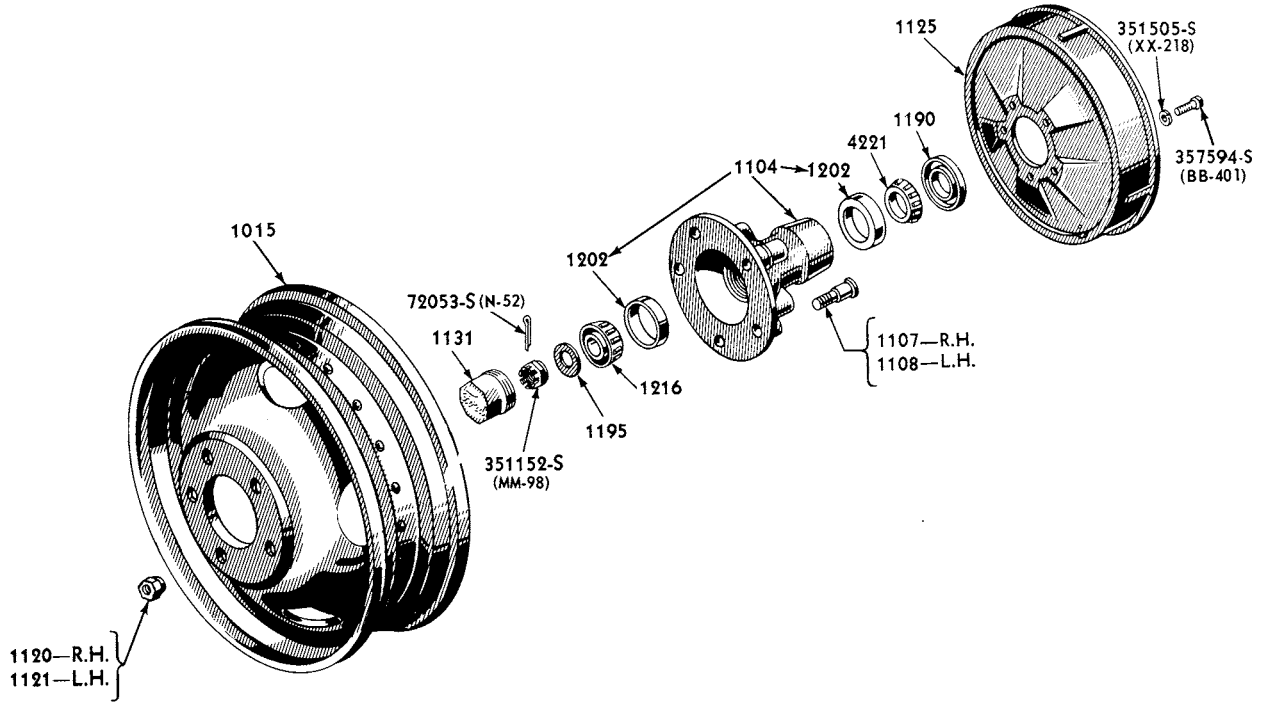
FRONT WHEEL PARTS - TYPICAL
1957/ F250/350, P350/400

100% SATISFACTION GUARANTEED

BUY IT NOW!

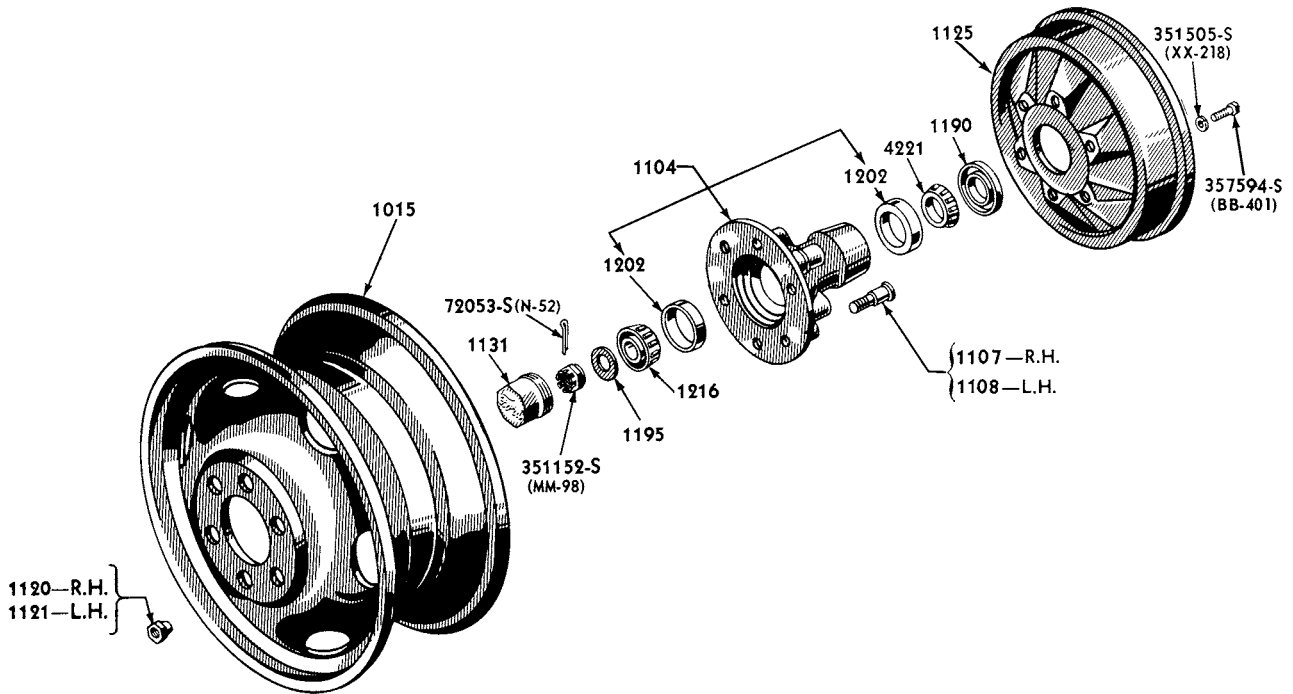
Click Here To Order

PayPal American Express Discover MasterCard VISA



P-2004

FRONT WHEEL PARTS
1957/ B-F-P500



P-2005

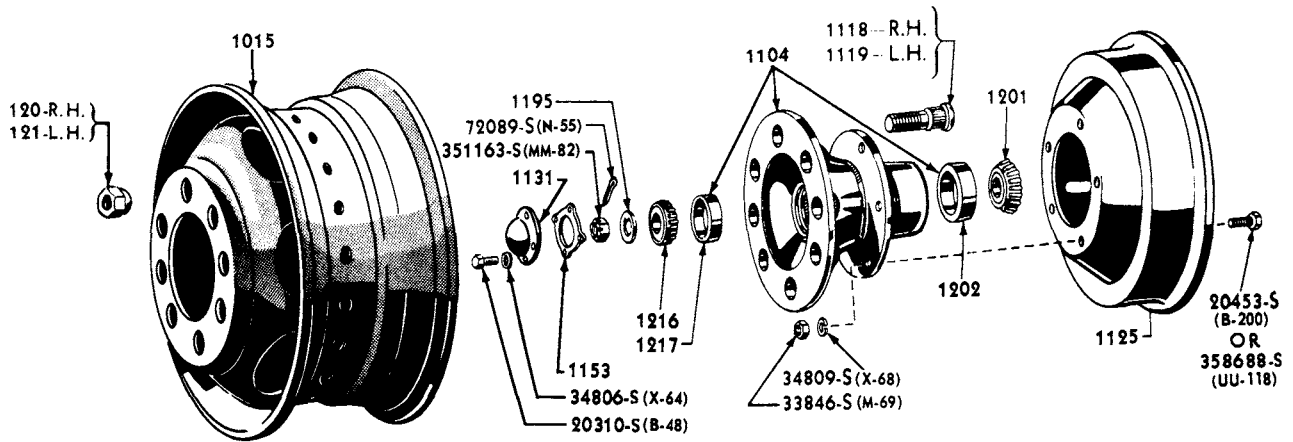
FRONT WHEEL PARTS
1957/ B-F600

100% SATISFACTION GUARANTEED

BUY IT NOW!

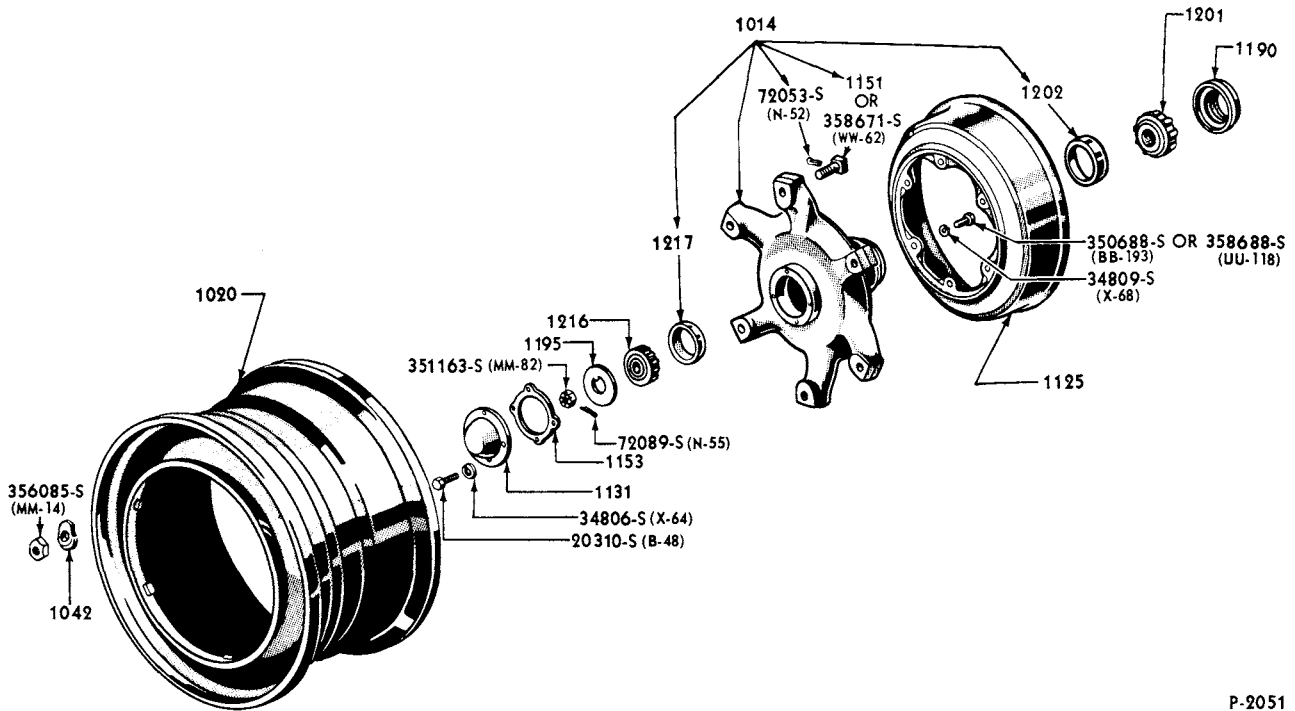
Click Here To Order

PayPal American Express Discover/Novus MasterCard VISA



P-2052

FRONT WHEEL PARTS - DISC TYPE (TUBELESS TIRES) - TYPICAL
1957/60 B700/750, C550/950, F-T700/950



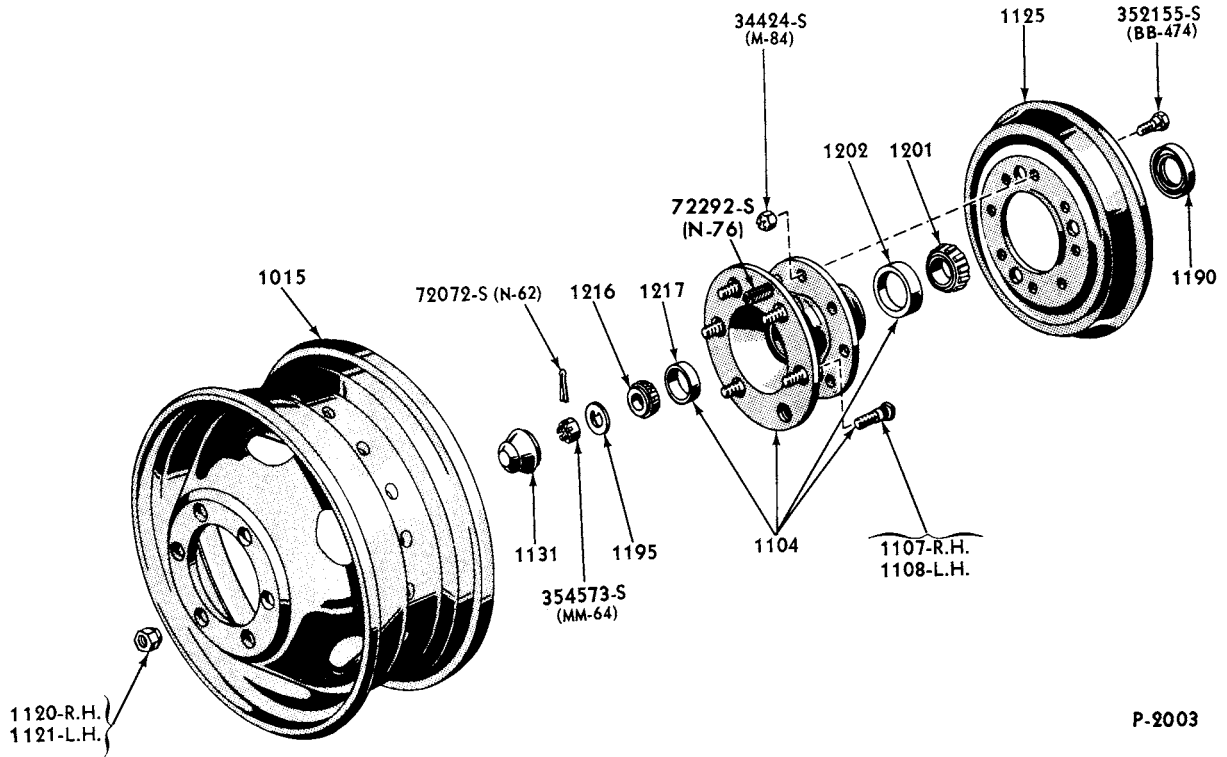
P-2051

FRONT WHEEL PARTS - SPOKE TYPE (TUBELESS TIRES) - TYPICAL
1957/60 C700/850, F800/850, T750/800

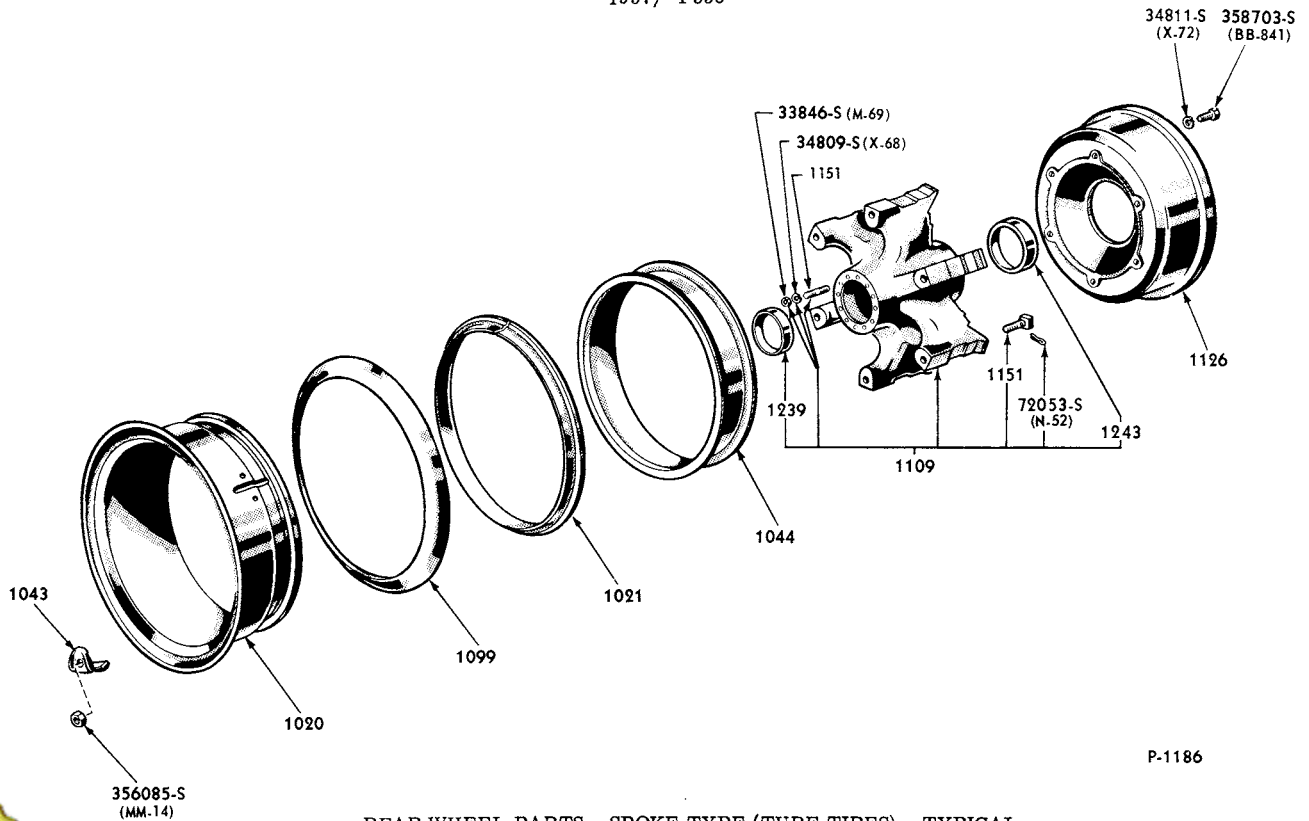
100% SATISFACTION GUARANTEED

BUY IT NOW!

Click Here To Order



FRONT WHEEL PARTS - DUAL REAR WHEEL - TYPICAL
1957/ F350



REAR WHEEL PARTS - SPOKE TYPE (TUBE TIRES) - TYPICAL
1957/ F800/950, T700/950



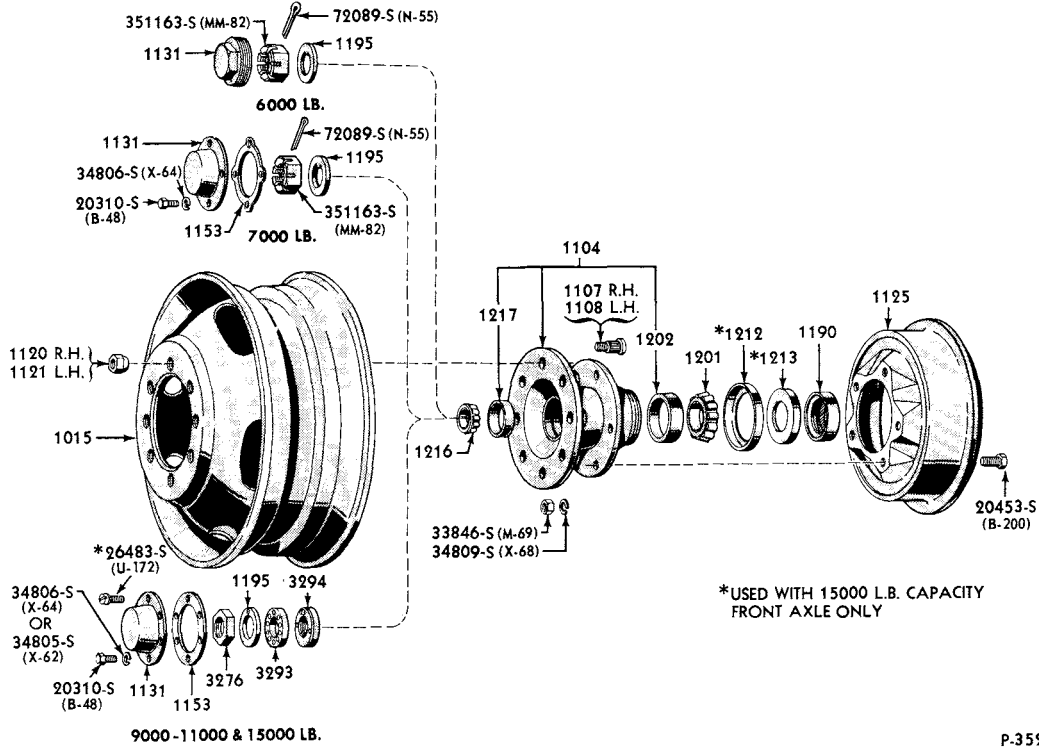
BUY IT NOW!

Click Here To Order



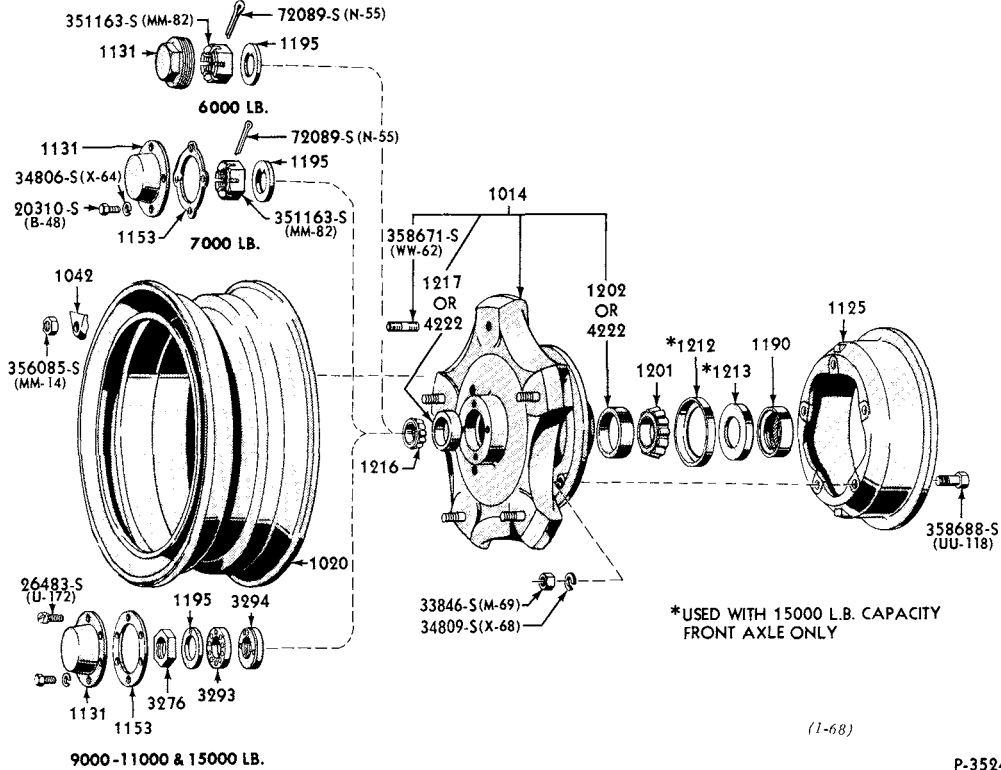
ILLUSTRATION SECTION 10

FORD TRUCK PARTS



P-3523

FRONT WHEEL PARTS - DISC TYPE - 6M THRU 15M FRONT AXLES - TYPICAL
1961/ B600/750, C550/1100, CT750/950, F600/1100, N600/1100, NT850/950, T700/950



(1-68)

P-3524

FRONT WHEEL PARTS - SPOKE TYPE - 6M THRU 15M FRONT AXLES - TYPICAL
1961/ B600/750, C550/1100, CT750/950, F600/1100, N600/1100, NT850/950, T700/950

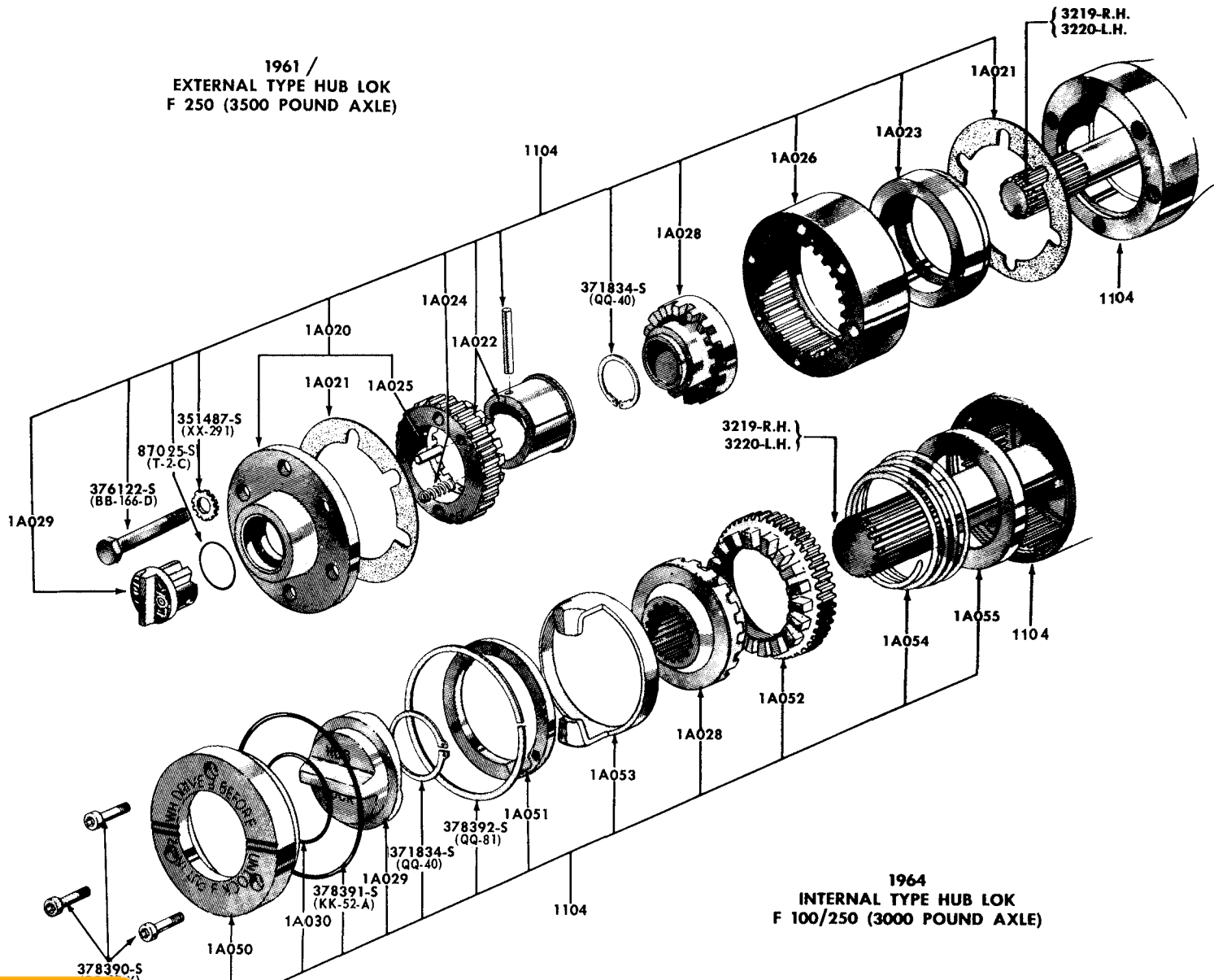


BUY IT NOW!

Click Here To Order



1961 /
EXTERNAL TYPE HUB LOK
F 250 (3500 POUND AXLE)



FRONT WHEEL DRIVE HUB LOCK PARTS (DANA)
1961 / F100/250 (4 x 4)

FORD TRUCK PARTS

ILLUSTRATION 10

27

P-4366

100% SATISFACTION GUARANTEED

BUY IT NOW!

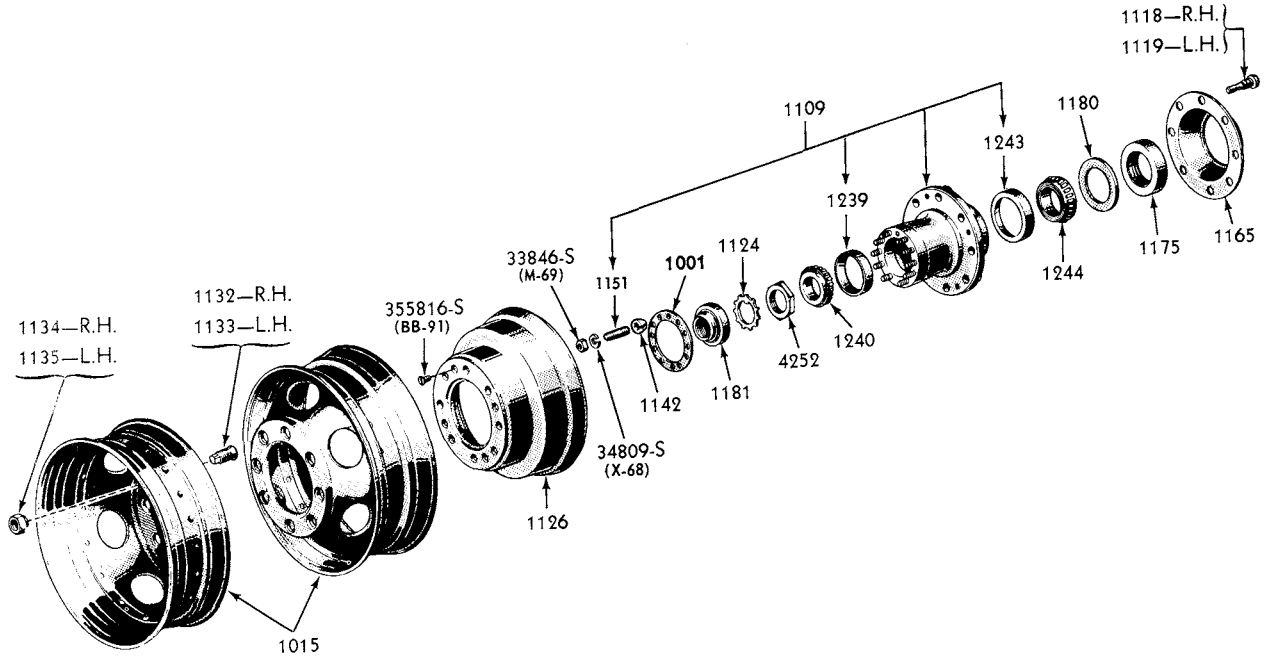
Click Here To Order

PayPal

Discover

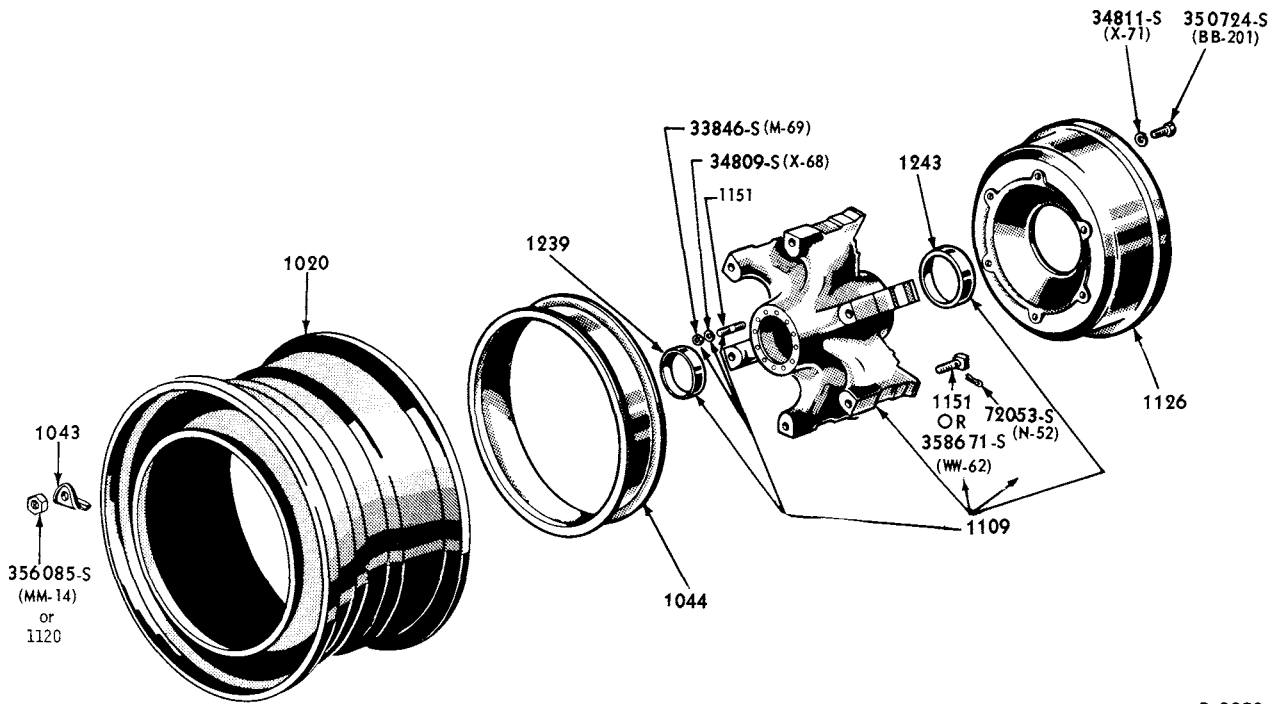
MasterCard

VISA



P-2474

REAR DUAL WHEEL PARTS - DISC TYPE (TUBELESS TIRES) - TYPICAL
1957/ F350, P350/500



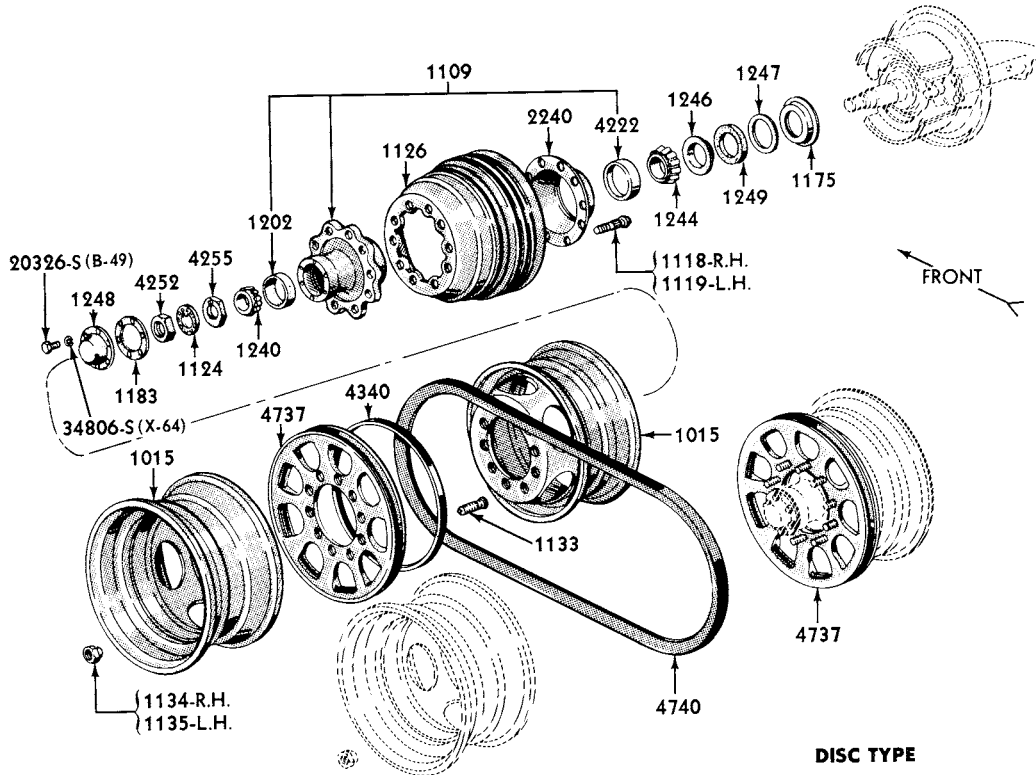
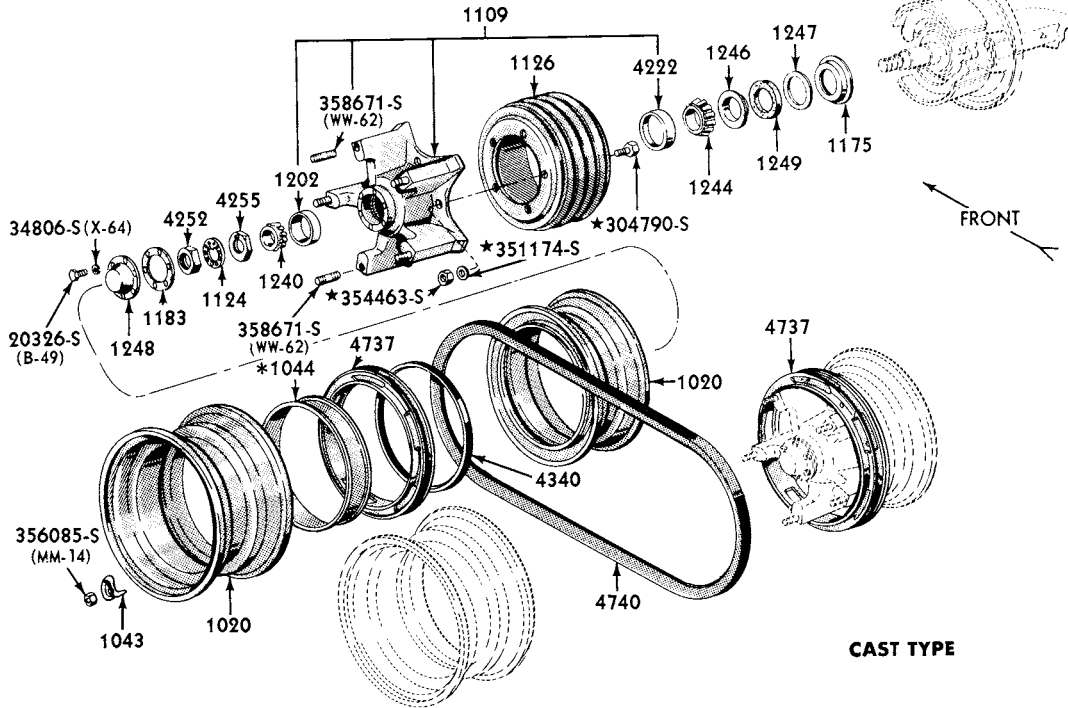
P-2053

REAR WHEEL PARTS - SPOKE TYPE
1957/ C800/850, F800/850, T750/850

100% SATISFACTION GUARANTEED

BUY IT NOW!

Click Here To Order



*USED WHEN "V" BELT DRIVE IS NOT INSTALLED

P-3535

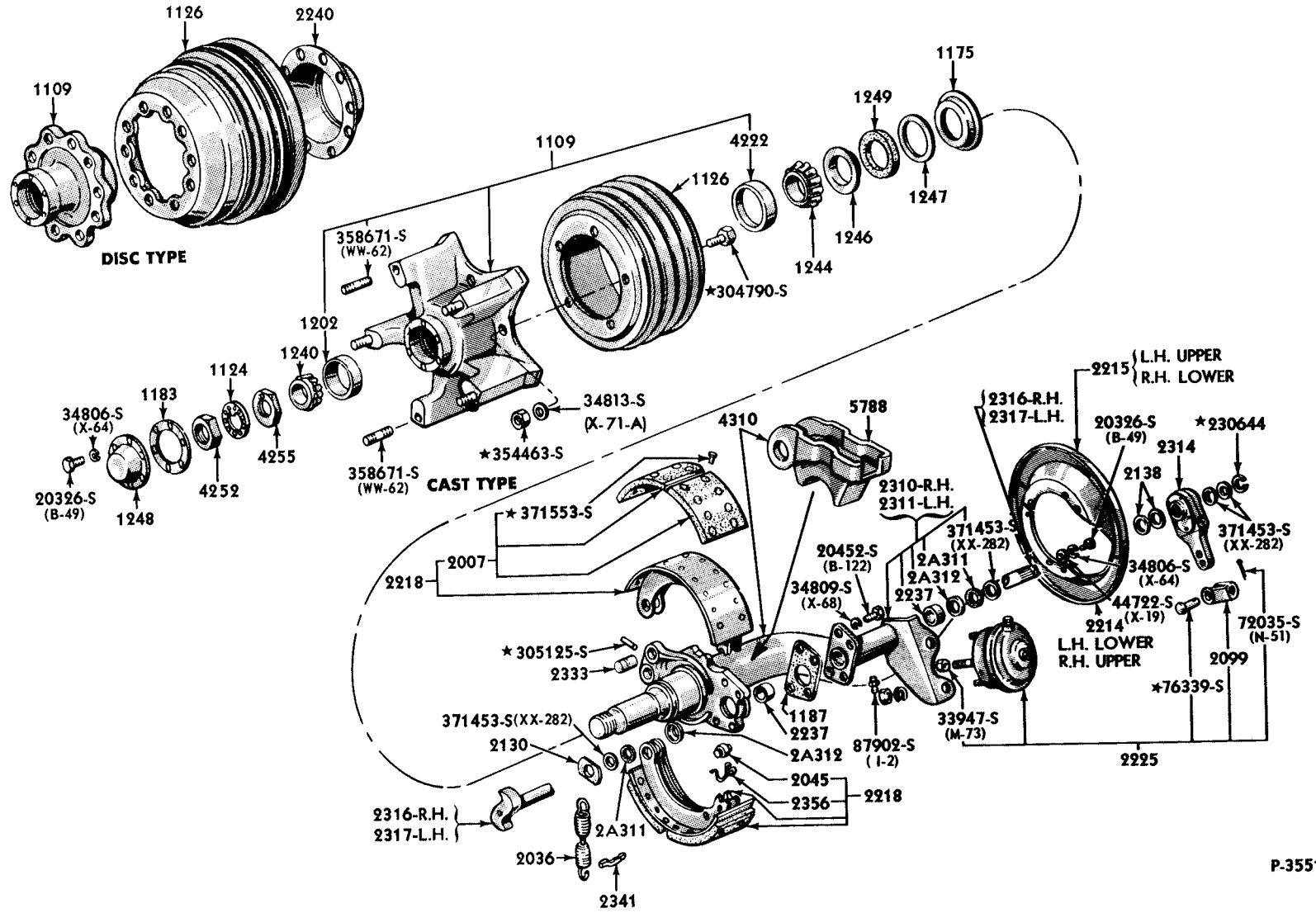
REAR WHEELS, PULLEY & BELTS - PAGE & PAGE SUSPENSION
1961/ HT850/950

100% SATISFACTION GUARANTEED

BUY IT NOW!

Click Here To Order

REAR WHEELS & BRAKES - PAGE & PAGE SUSPENSION - 18M FORWARD REAR (DEAD) AXLE
1961 / HT850/950



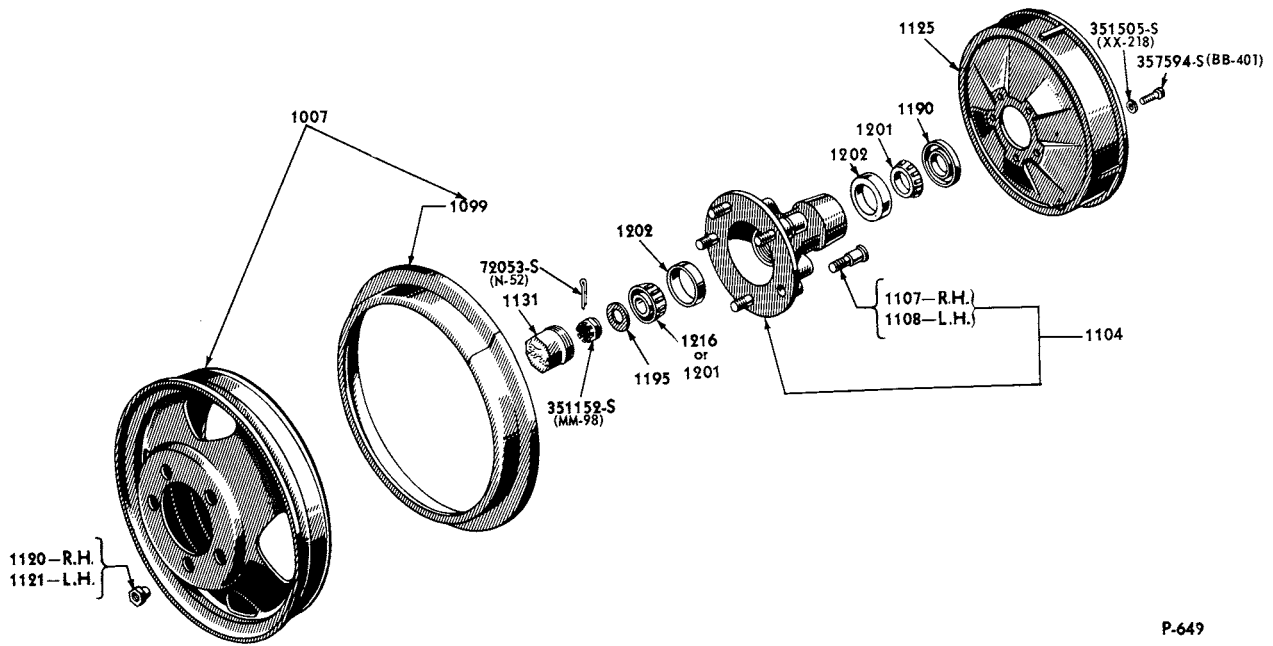
P-3551

100% SATISFACTION GUARANTEED

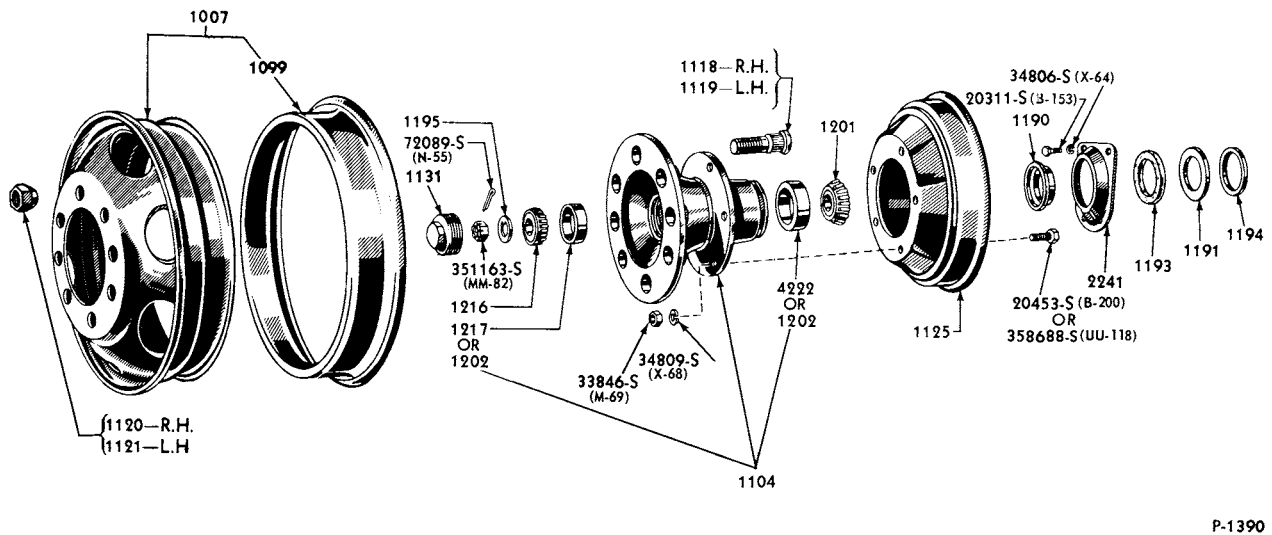
BUY IT NOW!

Click Here To Order

PayPal, American Express, Discover, MasterCard, VISA



FRONT WHEEL PARTS - DISC TYPE (TUBE TIRES) - TYPICAL
1957/ B500/600, C550/600, F500/600, P500



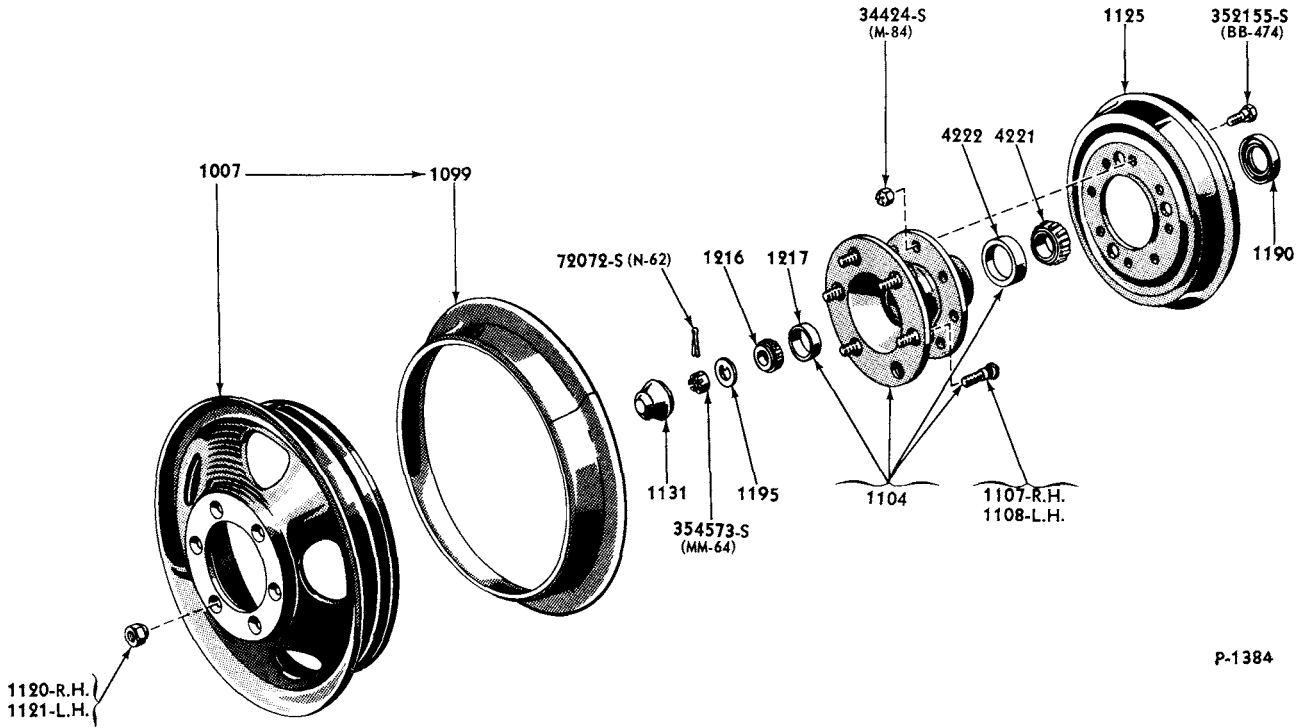
FRONT WHEEL PARTS - DISC TYPE (TUBE TIRES) - TYPICAL
1957/ B700/750, F700/750, T700

100% SATISFACTION GUARANTEED

BUY IT NOW!

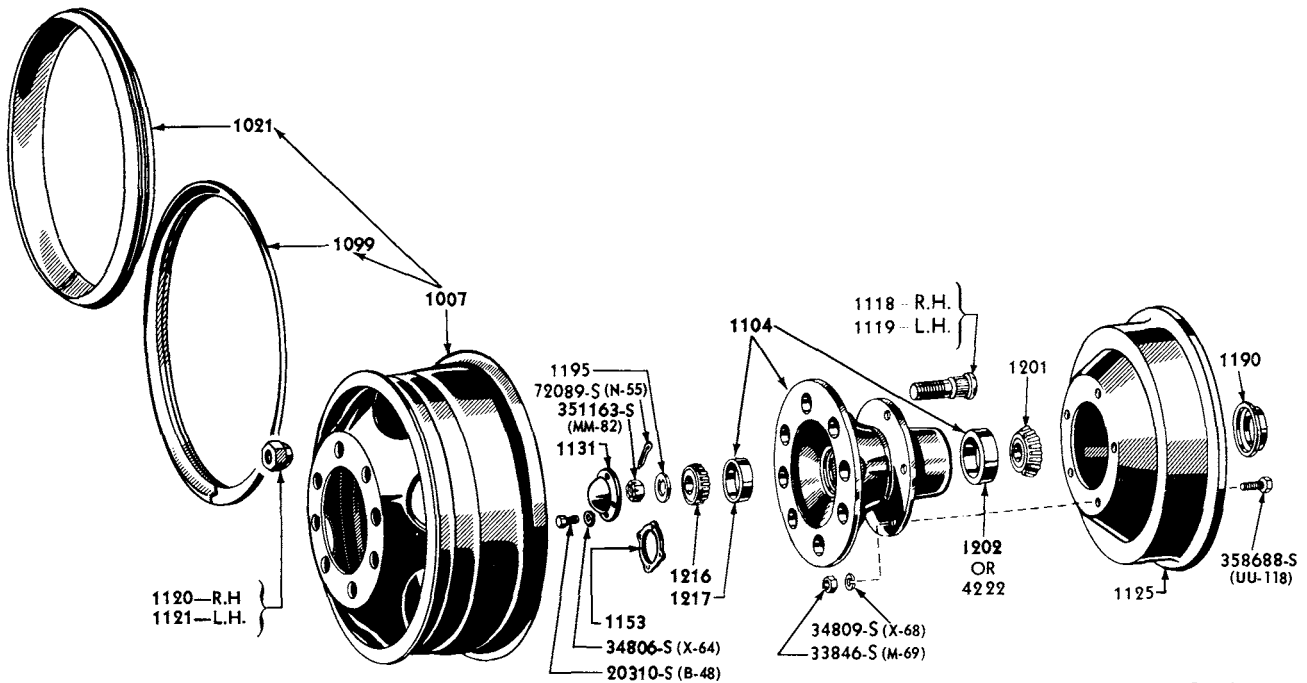
Click Here To Order

PayPal American Express Cards Discover World MasterCard VISA



P-1384

FRONT WHEEL PARTS - DISC TYPE (TUBE TIRES) - TYPICAL
1957/ F350



P-1387

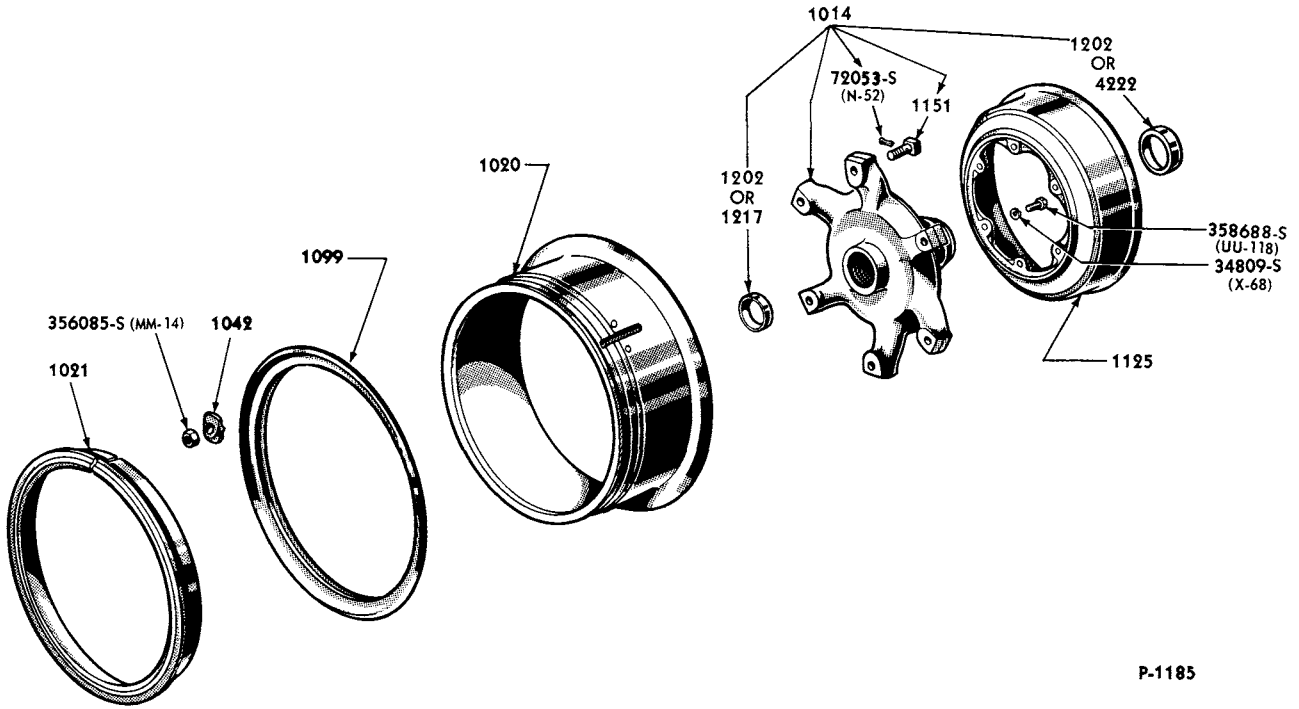
FRONT WHEEL PARTS - DISC TYPE (TUBE TIRES)
1957/ C750/950, F750/950, T750/950



BUY IT NOW!

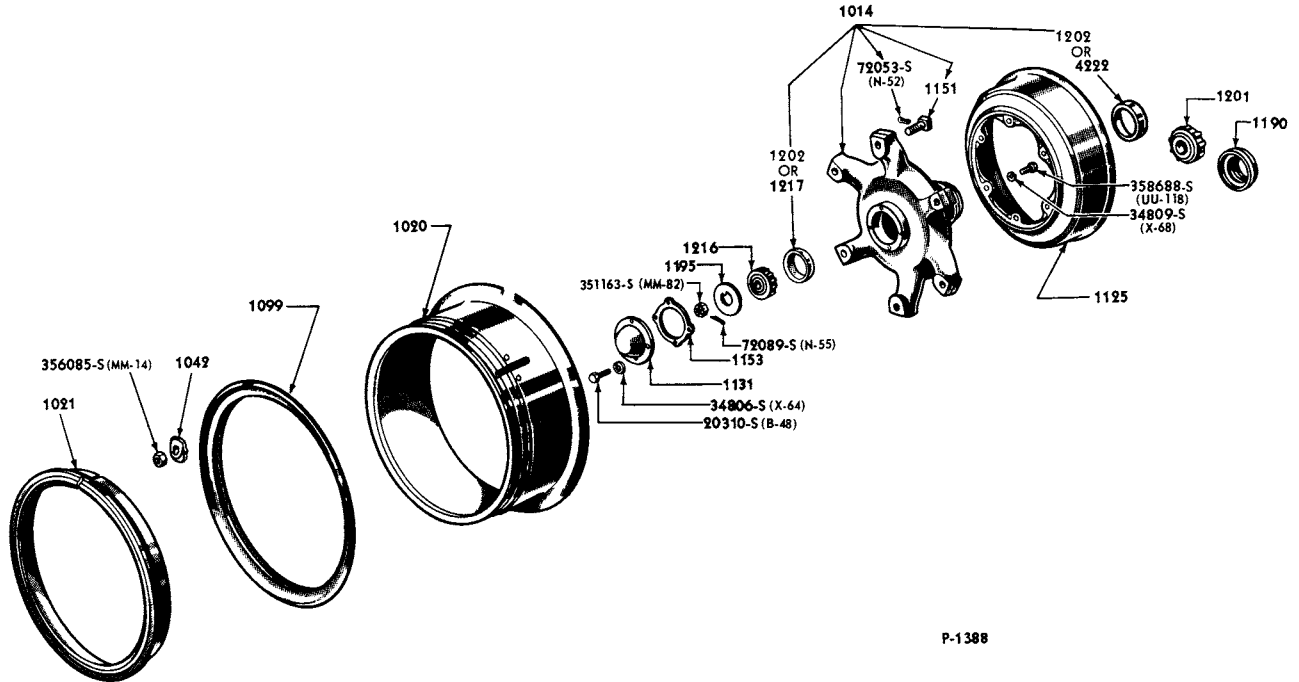
Click Here To Order





P-1185

FRONT WHEEL PARTS - SPOKE TYPE (TUBE TIRES) - TYPICAL
1957/ B700/750, F700/750, T700



P-1388

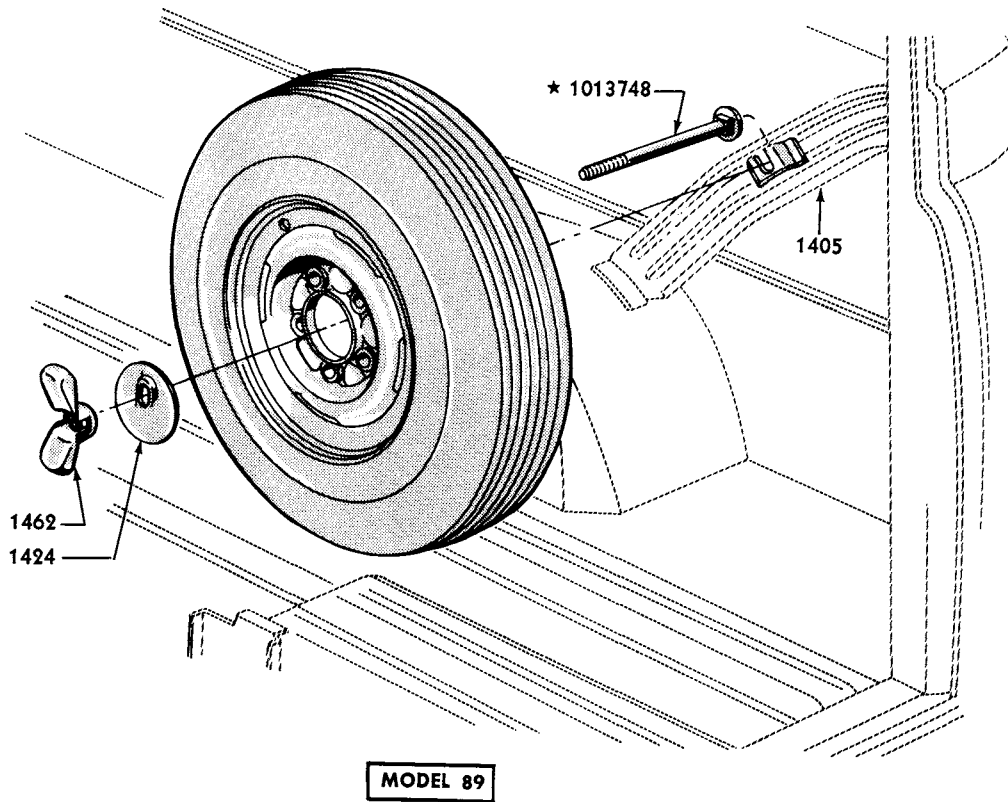
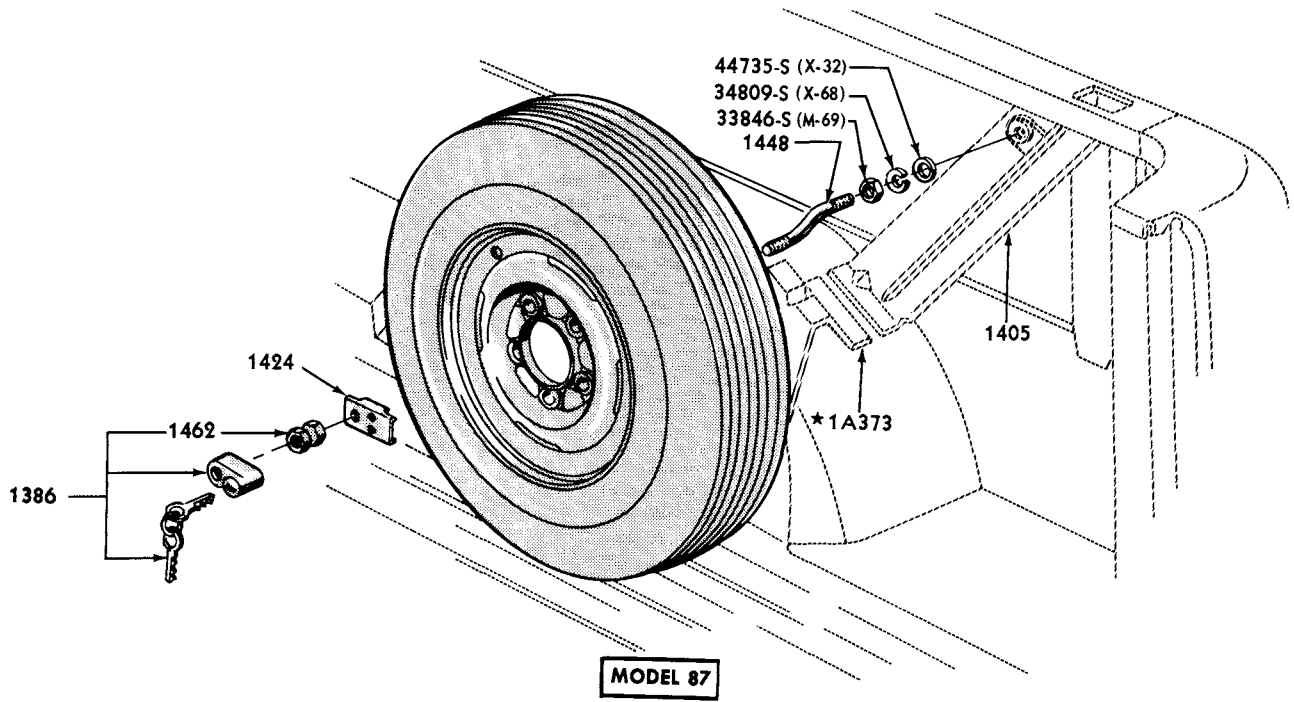
FRONT WHEEL PARTS - SPOKE TYPE (TUBE TIRES) - TYPICAL
1957/ C750/950, F750/950, T750/950



BUY IT NOW!

Click Here To Order





P-3707

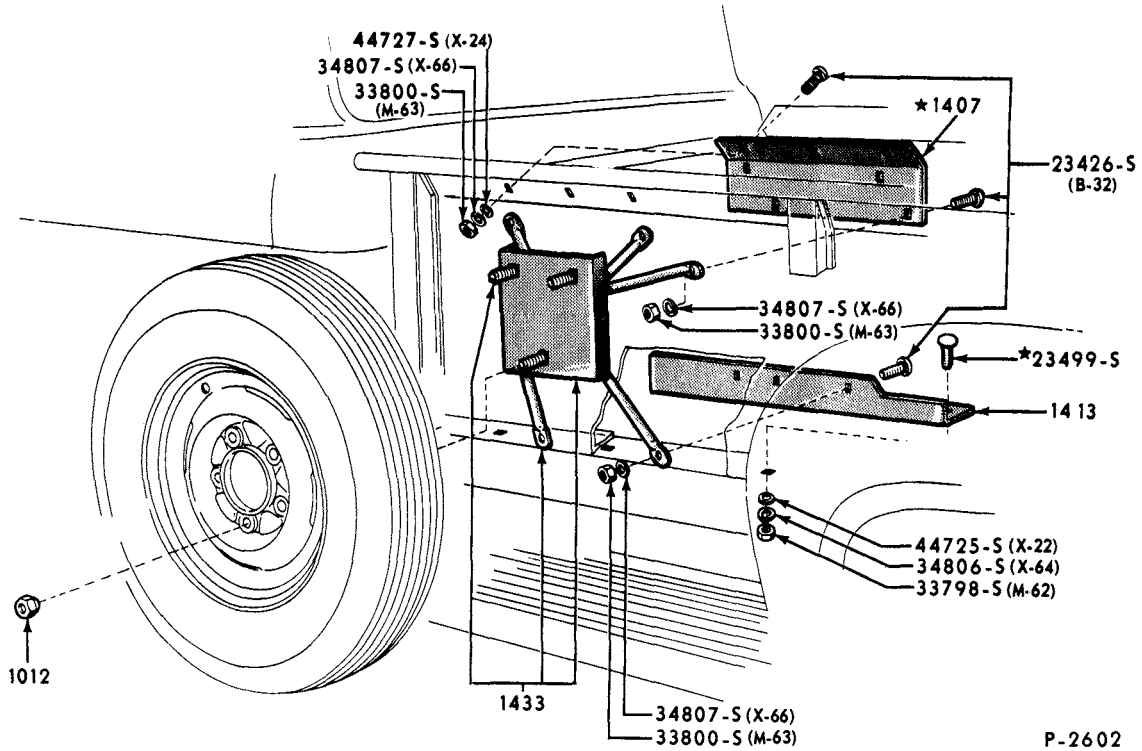
SPARE WHEEL CARRIER & LOCK KIT INSTALLATION
1961/ E100



BUY IT NOW!

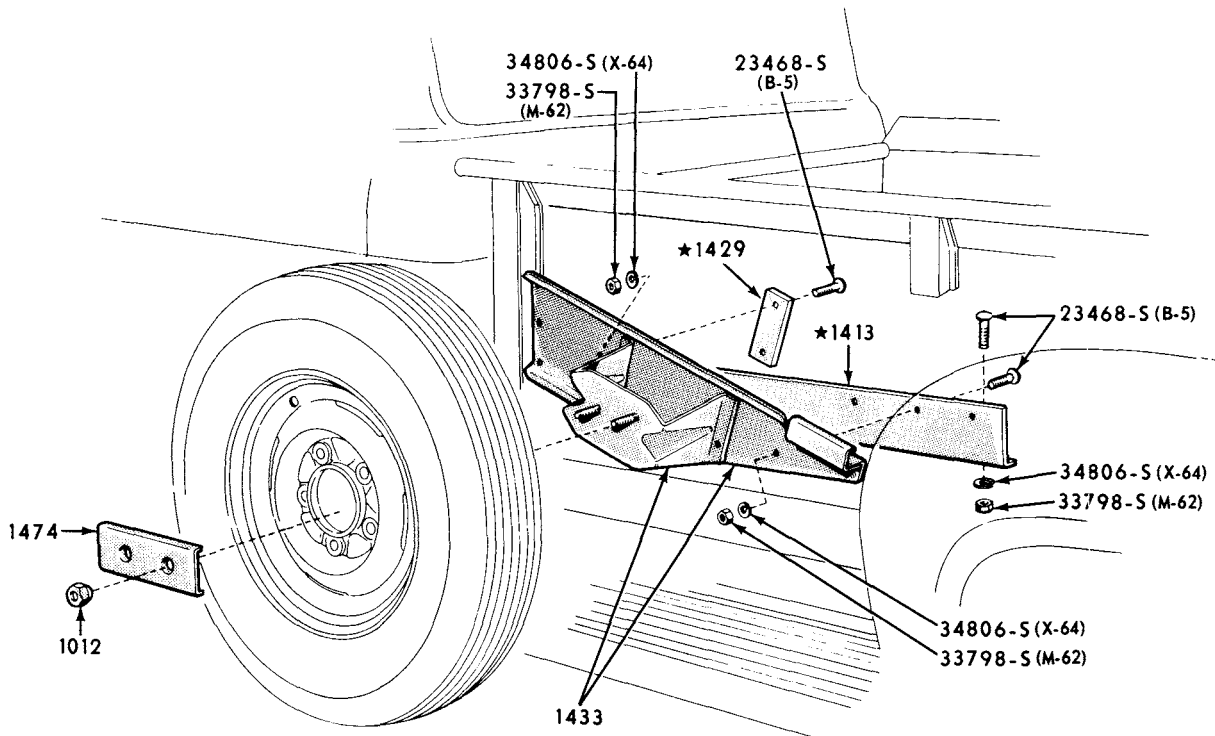
Click Here To Order





SPARE WHEEL CARRIER (FLARE SIDE)
1957/ F100/250

P-2602



SPARE WHEEL CARRIER (FLARE SIDE)
1957/ - F350

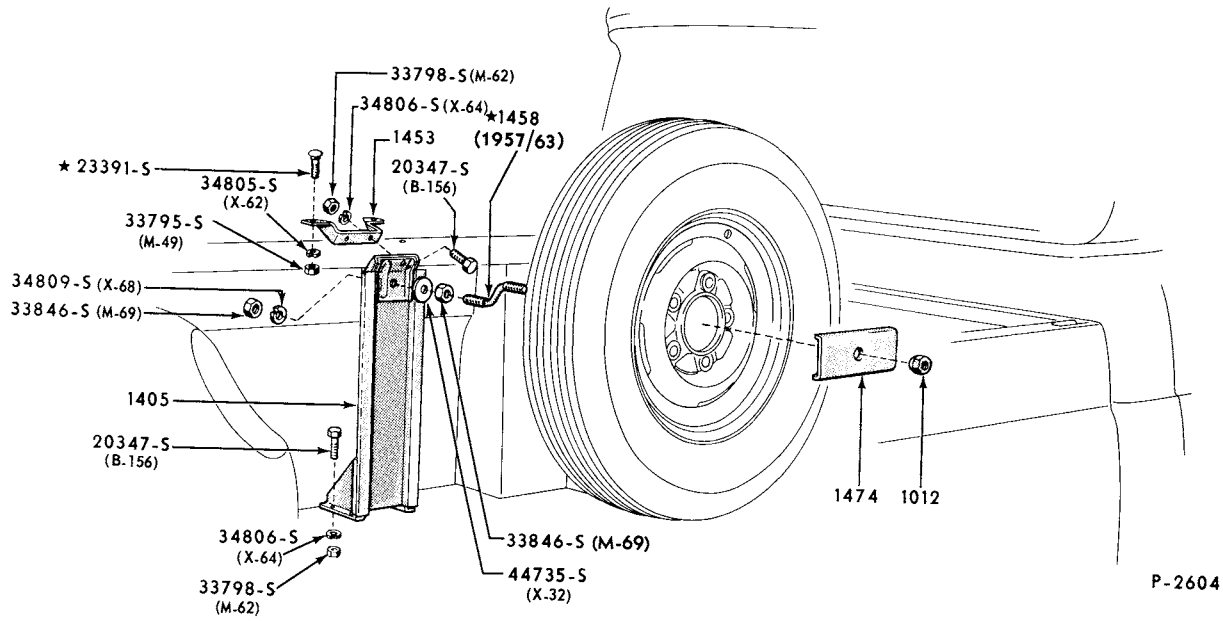
P-2603



BUY IT NOW!

Click Here To Order





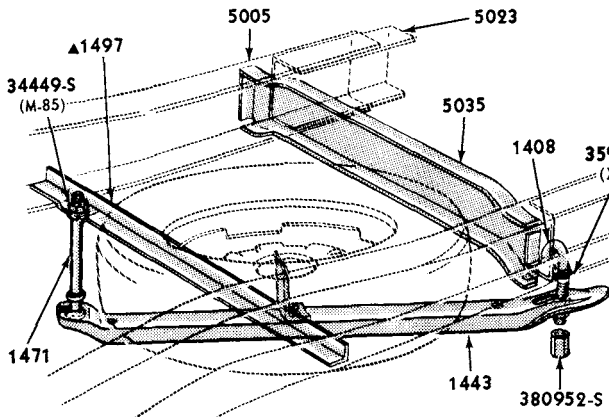
SPARE WHEEL CARRIER (STYLE SIDE)
1957/ F100/350



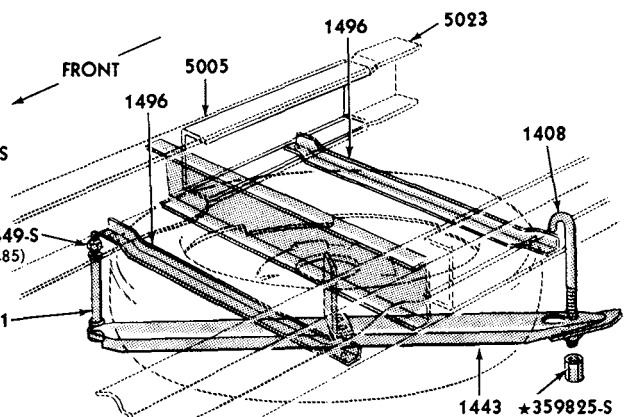
BUY IT NOW!

Click Here To Order

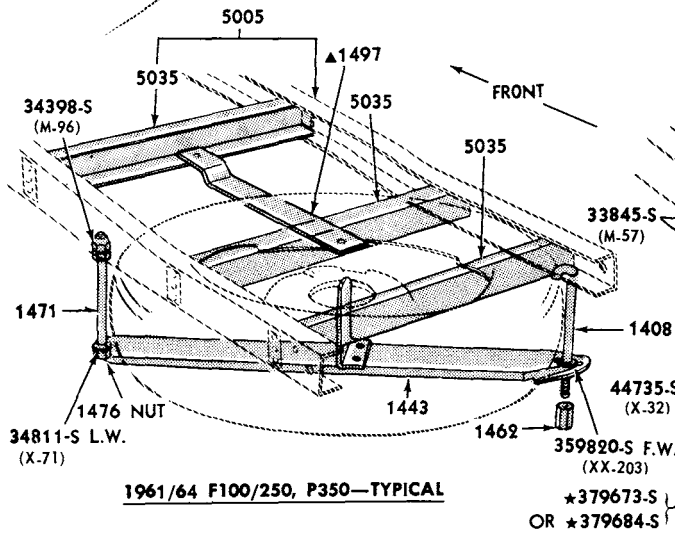




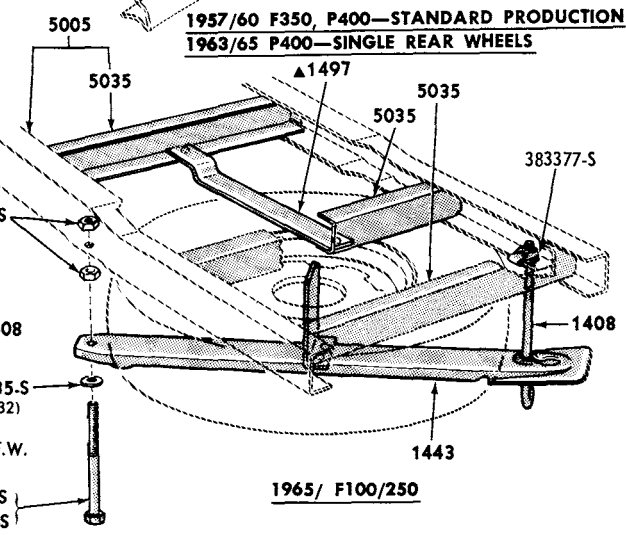
1957/60 F100/250, P350—TYPICAL



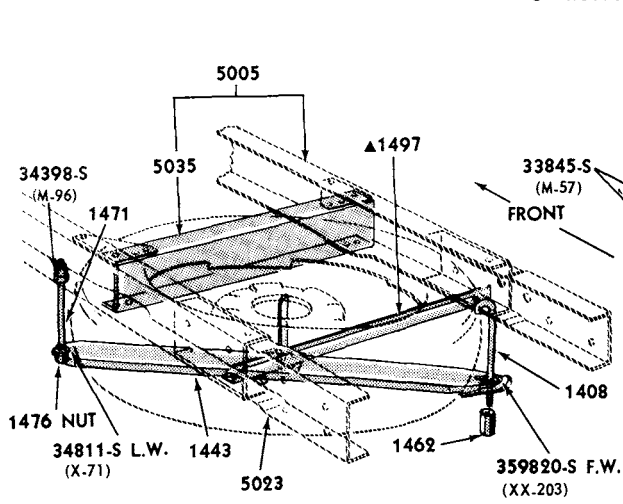
1957/60 F350, P400—STANDARD PRODUCTION
1963/65 P400—SINGLE REAR WHEELS



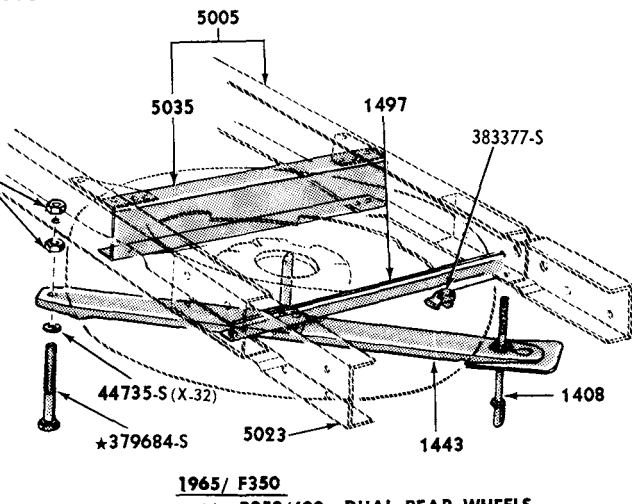
1961/64 F100/250, P350—TYPICAL



1965/ F100/250



1961/64 F350—STANDARD PRODUCTION



1965/ F350
1966 P350/400—DUAL REAR WHEELS

▲SERVICED ONLY ON P350

P-5321

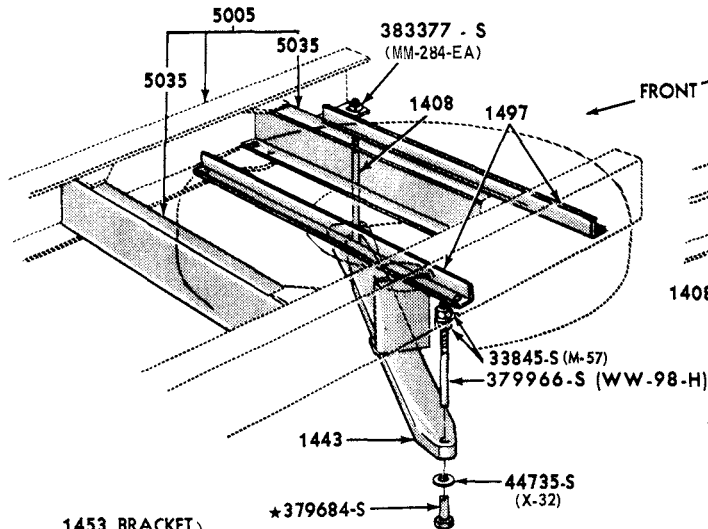
SPARE WHEEL CARRIER (FRAME MOUNTED)
1957/ F100/350, P350/400



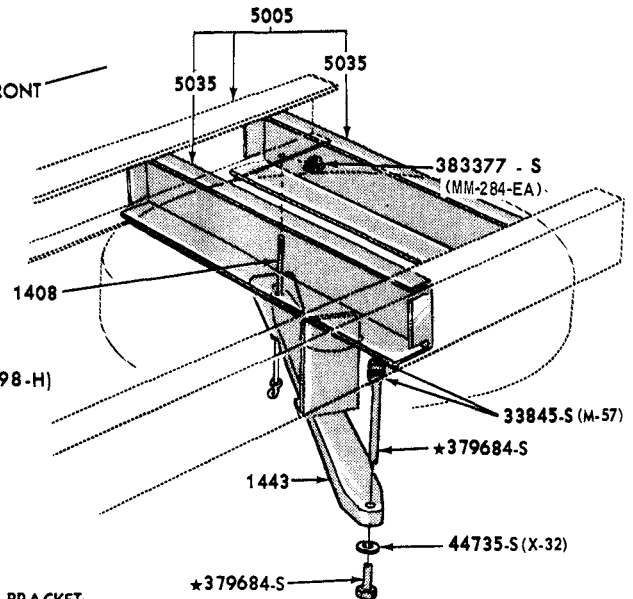
BUY IT NOW!

Click Here To Order

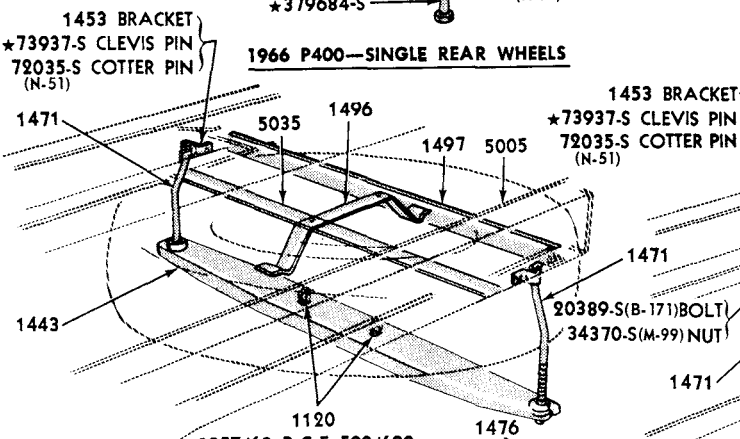




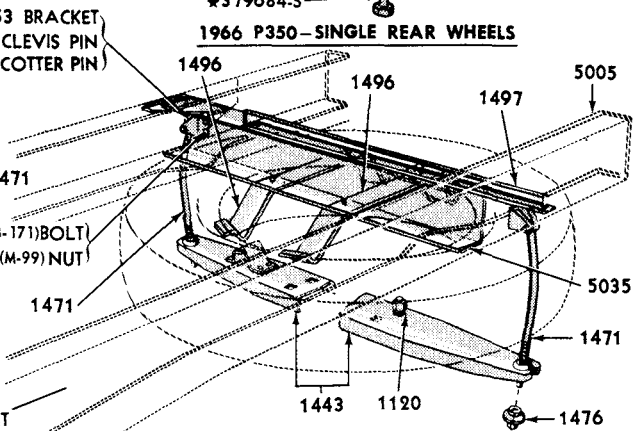
1966 P400—SINGLE REAR WHEELS



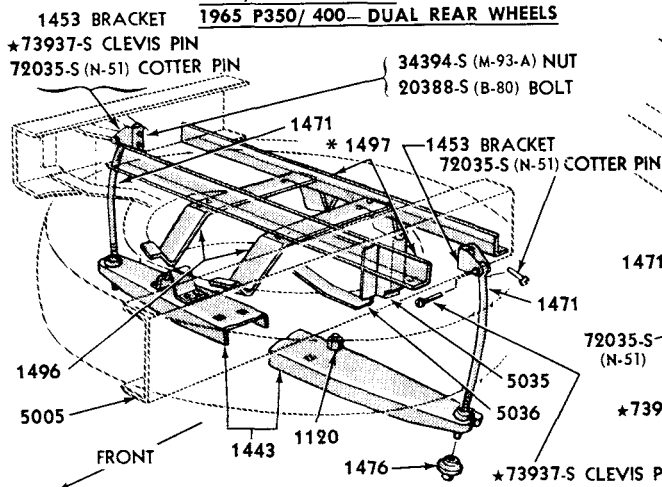
1966 P350—SINGLE REAR WHEELS



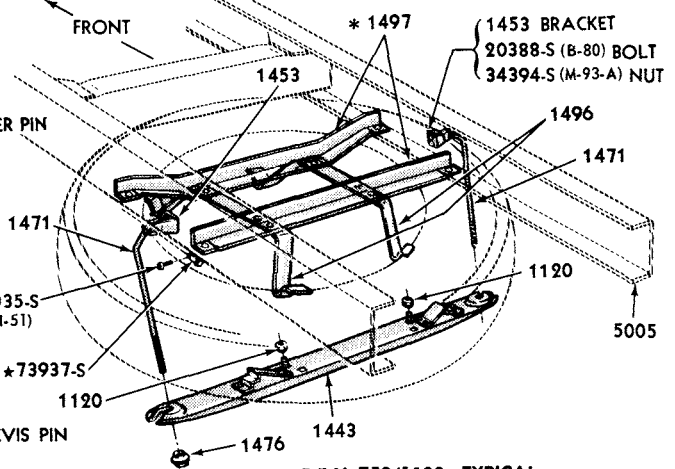
1957/60 B-C-F 500/600
1957/ P500
1957/ 62 P400—R.P.O.
1957/ 64 P350—R.P.O.



1957/60 B-C-F 700/950



1961/ B-C-F-N 500/750—TYPICAL
* 1963/ IMPROVISE FROM ANGLE IRON



1961/ C-F-N 750/1100—TYPICAL

P.5322

SPARE WHEEL CARRIER (FRAME MOUNTED)
1957/ B500/750, C550/1100, F500/1100, N500/1100, P350/500



BUY IT NOW!

Click Here To Order

