

1948-1956 FORD TRUCK

PARTS AND ACCESSORIES

TEXT CATALOG

1948-1956 CHASSIS

1953-1956 BODY

PARTS AND ACCESSORIES OPERATIONS

BUY IT NOW!

Click Here To Order

MOTOR COMPANY

COMPANY - DEARBORN, MICHIGAN



1964

QUICK REFERENCE INDEX	PAGE
GENERAL INFORMATION	II
SECTIONS 10-29 WHEELS, BRAKES	1
SECTIONS 30-36 FRONT AXLE, STEERING	115
SECTIONS 40-48 REAR AXLE, DRIVE SHAFT, COUPLING SHAFT	139
SECTIONS 50-55 FRAME, MUFFLER, SPRINGS	231
SECTIONS 60-67 ENGINE	259
SECTIONS 70-75 STANDARD TRANSMISSION, CLUTCH	323
SECTIONS A70-A71 AUTOMATIC TRANSMISSION	447
SECTIONS 80-86 COOLING, GRILLE	471
SECTIONS 90-97 FUEL, CARBURETOR, ACCELERATOR	493
SECTIONS 100-123 GENERATOR, ALTERNATOR STARTER, DISTRIBUTOR	651
SECTIONS 130-145 LAMPS, WIRING	707
SECTIONS 160-166 FENDER, HOOD	727
SECTIONS 170-182 BUMPER, SHOCK ABSORBER, HEATER, ACCESSORIES	739
BODY SECTIONS - ALL	769
SOFT TRIM SECTION	789

Copyright © 2012, Forel Publishing Company, LLC, Woodbridge, Virginia

All Rights Reserved. No part of this book may be used or reproduced in any manner whatsoever without written permission of Forel Publishing Company, LLC. For information write to Forel Publishing Company, LLC, 3999 Peregrine Ridge Ct., Woodbridge, VA 22192

1948-56 Ford Truck Master Parts and Accessories Catalog

EAN: 978-1-60371-087-9

ISBN: 1-60371-087-6

Forel Publishing Company, LLC

3999 Peregrine Ridge Ct.

Woodbridge, VA 22192

Email address: sales@ForelPublishing.com

Website: <http://www.ForelPublishing.com>



This publication contains material that is reproduced and distributed under a license from Ford Motor Company. No further reproduction or distribution of the Ford Motor Company material is allowed without the express written permission of Ford Motor Company.

Note from the Publisher

This product was created from the original Ford Motor Company's publication. Every effort has been made to use the original scanned images, however, due to the condition of the material; some pages have been modified to remove imperfections.

Disclaimer

Although every effort was made to ensure the accuracy of this book, no representations or warranties of any kind are made concerning the accuracy, completeness or suitability of the information, either expressed or implied. As a result, the information contained within this book should be used as general information only. The author and Forel Publishing Company, LLC shall have neither liability nor responsibility to any person or entity with respect to any loss or damage caused, or alleged to be caused, directly or indirectly by the information contained in this book. Further, the publisher and author are not engaged in rendering legal or other professional services. If legal, mechanical, electrical, or other expert assistance is required, the professional should be sought.



PARTS and ACCESSORIES TEXT CATALOG

FORM FD-9464

FORD DIVISION  MOTOR COMPANY

1948/56 FORD TRUCKS

DISTRICT OFFICES

Atlanta (East Point, Ga.)	Denver, Colo.	Louisville, Ky.	Philadelphia (Pennsauken, N. J.)
Boston (Natick, Mass.)	Des Moines, Iowa	Memphis, Tenn.	Pittsburgh, Pa.
Buffalo, N. Y.	Detroit (Livonia, Mich.)	New Orleans (Arabi, La.)	Richmond, Va.
Charlotte, N. C.	Fargo, N. D.	Newark (Teterboro, N. J.)	Rockford, Ill.
Chicago (Melrose Park, Ill.)	Houston, Texas	New York (White Plains, N. Y.)	St. Louis (Clayton, Mo.)
Cincinnati, Ohio	Indianapolis, Ind.	Oklahoma City, Okla.	Salt Lake City, Utah
Cleveland, Ohio	Jacksonville, Fla.	Omaha, Neb.	San Jose, Calif.
Dallas, Texas	Kansas City, Mo.	Phoenix, Arizona	Seattle, Wash.
Davenport, Iowa	Lansing, Mich.		Twin City (Minneapolis, Minn.)
	Los Angeles (Pico-Rivera, Calif.)		Washington, D. C.

INDEX FOR GENERAL INFORMATION SECTION

Abbreviations	VI	Rating Plate Diagram & Explanation	X
Appearance & Maintenance Materials	XV thru XX	Rating Plate Codes:	
BASIC BODY PARTS NUMBERING SYSTEM	III	Assembly Plant	XI
Body Type Codes	III	D. S. O. Codes	X
Catalog Model Codes	III	District	XI
District Offices	II	Engine (Horsepower Rating)	XI
Explanation of Symbol ★	IV	Exterior Paint Body Color	XIII
Ford Group and Basic Number Chart	VII thru IX	Model Year	XI
General Instructions	II	Production Date	X
How to Order Parts	IV	Transmission Type	XI
Model Identification	XXI thru XXVI	Truck Series and Catalog	XII
Model Years	IV	Model Symbols	
Nomenclature Index	IV		
Paints	XIV		
Procedure for Using Catalog	V		
Quick Reference Index	I		
Section, Group and Basic Numbers	V		
Standard and Utility Hardware	IV		

GENERAL INSTRUCTIONS

This Ford Parts and Accessories Catalog contains parts information for Ford trucks and is to be used in conjunction with "Illustration" Catalog, Form FD-9465.

Following are the model years for which parts information is provided in this catalog:

- Chassis Parts 1948 through 1956
- Body Parts. 1953 through 1956
- Soft Trim Parts 1956

left hand side of the vehicle and should govern in determining such etc. as to whether a part is right or left hand.



BUY IT NOW!
Click Here To Order



SECTION, GROUP and BASIC NUMBERS

For greater convenience this catalog is divided into sections to conform with the Master Parts Catalogs.

Section Numbers are related to group numbers as follows:

SECTION NUMBER	GROUP NUMBER SERIES	PART NAME
10	1000 - 1999	Wheel Parts
20	2000 - 2999	Brake Parts

The 'Illustration' Catalog is divided into sections also and like parts are shown under similar section numbers in both the "Text" and "Illustrations" catalogs.

Illustrations contain basic group numbers only; therefore, it is necessary to refer to the basic group within the "Text" Catalog listing for complete applicable part number.

Most basic group numbers consists of numerals only, however, some basic numbers include an alphabetical character also. In this catalog basic numbers expanded by an alphabetical character follow the numerical basic numbers from which they are expanded and are listed in the manner shown below:

2140	Cylinder assy. - Brake Master
2A140	Tube - Brake Booster to Tee

PROCEDURE FOR USING CATALOG

Refer to Pages VII thru IX for more information on Ford group and basic part numbers.

Following is a recommended procedure for using this catalog:

Should an inquiry be received for a front hub assembly for a 1956 C-600 cab forward model, use the following steps:

- A. Refer to the General Information Section for an explanation of the Catalog Model Symbols. On page XII under 1956 the catalog model symbol for truck series C-600 is shown as "WH".
- B. Refer to the section and page designated in the Quick Reference Index on the cover for 'Wheels'.
- C. On the designated page (1) will be an index.
- D. Refer to the alphabetical nomenclature under heading 'Wheels, Hubs and Drums'; find name Hub Assy. (Front). The group number will be shown as 1104.
- E. Refer to Group 1104 and locate the year 1956 in the column headed 'Year'. Refer then to column headed 'Model' for 'WH' which indicates a C-600 cab forward. The part number will be shown as B4T 1104-B.

In the event the proper nomenclature is in doubt, an alternate method of locating the basic or group number would be as follows:

- A. Refer to the section and page designated in the Quick Reference Index of the Illustration Catalog, Form FD 9465, for 'Wheels'.
- B. On the designated page (1) is an index of various Wheels, Hubs and Drums.
- C. Refer to page XIII of the General Information Section for the Catalog Model Symbols for the various truck series.
- D. On page (1) locate the applicable illustration for 1956 Front Wheels and Related Parts for Model 'WH'.

on page 6 and identify the proper part which will show the basic group

04 in the "Text" Catalog, Form FD 9464, and locate the year 1956 in the "Year" column. Refer then to the column headed 'Model' for 'WH' which indicates a C-600 cab forward. The part number will be shown as B4T 1104-B.



BUY IT NOW!

Click Here To Order



		ABBREVIATIONS	
&..... and	ft..... foot	rad..... radiator	
accel..... accelerator	f/wheel..... flywheel	recirc..... recirculating	
adapt..... adapter	F/ward..... Forward	reinf..... reinforcement	
adj..... adjusting-adjustment	gal..... gallon	repl..... replaced	
alum..... aluminum	gen..... generator	req'd..... required	
amp..... ampere	gov..... governor	ret..... retainer	
approx..... approximately	G. V. W..... gross vehicle weight	R. H..... right hand	
AR..... as required	H1, H2, H4..... Holley 1, 2 or 4 barrel	R. P. M..... revolutions per minute	
ass'y..... assembly	hd..... head	rr..... rear	
aux..... auxiliary	H/D..... heavy duty	R/R..... roadranger	
2/B..... 2 barrel	hel..... helical	r/wheels..... rear wheels	
4/B..... 4 barrel	hex..... hexagon	S/B..... school bus	
BBC..... bumper to back of cab	H/D R/R..... heavy duty roadranger	second..... secondary	
brg..... bearing	hsg..... housing	s/member..... sidemember	
brkt..... bracket	H/V..... hydraulic vacuum	spec..... special	
C2, C4..... Carter 2 or 4 barrel	hyd..... hydraulic	S/E, Spec. Econ..... Special Economy	
cap..... capacity	I. D..... inside diameter	speedo..... speedometer	
carb..... carburetor	instr., instru..... instrument	spg..... spring	
C/F..... cab forward	inter..... intermediate	sq..... square	
c/member..... crossmember	"L"..... left	s/ring..... snap ring	
conn..... connection	lb..... pound	std..... standard	
Conv..... Conventional	L/D..... light duty	S/T..... standard transmission	
cov., cvr..... cover	L. H..... left hand	suppt..... support	
CP..... candle power	LHD..... left hand drive	syn..... synthetic	
c/pin..... cotter pin	lub..... lubricator	T/A..... tandem axle	
c/shaft..... crankshaft	l/w, l/washer..... lockwasher	T/C, T/Cab..... Tilt Cab	
ctr..... center	lwr..... lower	T/M..... Transmatic	
cyl..... cylinder	man..... manifold	trans..... transmission	
D/D..... direct drive	MA/D..... Maximum duty	T/T..... Tractor Trailer	
defl..... deflector	M/D..... medium duty	U. D., U/D..... under drive	
dia., diam..... diameter	m. m..... millimeter	u/joint, u/jt..... universal joint	
diaph..... diaphragm	mtg..... mounting	U/S..... undersize	
disp..... displacement	mtr..... motor	vac..... vacuum	
dist..... distributor	No..... number	vent..... ventilation	
ea..... each	O. D..... outside diameter	vlv..... valve	
E/H/D..... extra heavy duty	O/D..... overdrive	w/..... with	
em/re..... emission reduction	O/S..... oversize	wash..... washer	
eng..... engine	park..... parking	w/b, W/B..... wheelbase	
ext..... extensión	pass..... passenger	W/G..... with governor	
F2, F4..... Ford 2 or 4 barrel	pcs..... pieces	w/out, w/o..... without	
F/axle..... forward axle	P/D..... Parcel Delivery	w/s, w/shield..... windshield	
fender	P/S..... power steering	X..... exclusive	
	P. T. O..... Power Take Off	X/C..... extra cooling	
	qt..... quart	X/H/D..... exclusive heavy duty	
	qty..... quantity	X/H/D R/R..... exclusive heavy duty	
	"R"..... right	roadranger	

100% SATISFACTION GUARANTEED

BUY IT NOW!

Click Here To Order

PayPal American Express Discover MasterCard VISA

FORD MOTOR COMPANY BASIC PART NUMBERING

CHASSIS, ENGINE AND ELECTRICAL BASIC NUMBER SERIES

BASIC PART NO SERIES	BASIC SERIES EXPANSION	PARTS WHICH QUALIFY BY FUNCTIONAL AREA	BASIC PART NO SERIES	BASIC SERIES EXPANSION	PARTS WHICH QUALIFY BY FUNCTIONAL AREA
1000-1250 1251-1349 1350-1499 1500-1724 1725-1999 2000-2594 2595-2874 2875-2999 3000-3499 3500-3776	1A000-1A250 1A251-1A349 1A350-1A499 1A500-1A724 1A725-1A999 2A000-2A594 2A595-2A874 2A875-2A999 3A000-3A499 3A500-3A776	Wheels, Hubs, and Drums Open Numbers Spare Wheel Carrier Tires and Tubes Open Numbers Brakes Brakes—Parking Air Compressor Front Axles and Front Suspensions Steering Gear and Steering Wheel	12450-12499 12500-12599 12600-12999 13000-13199 13200-13299 13000-13399 13400-13699 13700-13799 13800-13949 13950-13999	12A450-12A499 12A500-12A599 12A600-12A999 13A000-13A199 13A200-13A299 13A300-13A399 13A400-13A699 13A700-13A799 13A800-13A949 13A950-13A999	Engine Governor Open Numbers Open Numbers Head Lamps Parking Lamps Turn Signal License, Tail, and Stop Lamps Courtesy, Dome, and Instrument Lamps and Switches Horn Open Numbers
3777-3999 4000-4999 5000-5149 5150-5199 5200-5299 5300-5350 5351-5416 5417-5454 5455-5481 5482-5499	3A777-3A999 4A000-4A999 5A000-5A149 5A150-5A199 5A200-5A299 5A300-5A350 5A351-5A416 5A417-5A454 5A455-5A481 5A482-5A499	Open Numbers Rear Axle and Driveshaft and Coupling Shaft Frame and Brackets * Muffler, Exhaust Pipes, and Brackets Front Springs Sub-Frame (For Cab Mounting) Open Numbers Front Springs—Clips, Studs, and Bushings Stabilizer and Attaching Parts	14000-14689 14690-14724 14725-14999 15000-15039 15040-15074 15075-15114 15115-15199 15200-15299 15300-15399 15400-15489	14A000-14A689 14A690-14A724 14A725-14A999 15A000-15A039 15A040-15A074 15A075-15A114 15A115-15A199 15A200-15A299 15A300-15A399 15A400-15A489	Wiring and Circuit Breakers, Terminals and Connectors, Window Regulator, Fuse Panel Seat Regulator (Electrical) Junction Boxes and Electric Conduit Clocks Cigar Lighter Lamp Assy.—Cluster * Road Lamps Spot Lamps Lamp Assy.—Marker
5500-5515 5516-5999 6000-6899 6900-6944 6945-6999 7000-7499 7500-7649 7650-7799 7800-7999 8000-8499	5A500-5A515 5A516-5A999 6A000-6A899 6A900-6A944 6A945-6A999 7A000-7A499 7A500-7A649 7A650-7A799 7A800-7A999 8A000-8A499	Front Spring Covers Rear Springs and Attaching Parts Engine and Mounts * Engine Installation and Dress-up Kits Transmission and Shifting Controls Clutch and Controls Transmission Overdrive Torque Converter Radiator and Grille Parts	15490-15549 15550-15579 15580-15599 15600-15649 15650-15655 15656-15699 15700-15724 15725-15759 15760-15799 15800-15849	15A490-15A549 15A550-15A579 15A580-15A599 15A600-15A649 15A650-15A655 15A656-15A699 15A700-15A724 15A725-15A759 15A760-15A799 15A800-15A849	Lamp Assy.—Back-up Lamp Assy.—Utility Lamp Assy.—Police Flasher * Map Lamp Top Control Engine Compartment Lamp Commercial Pump Motors Note: Not used Passenger Car, Truck & Industrial Engines Open Numbers Lamp Assy.—Transmission Control Selector Indicator
8500-8599 8600-8669 8670-8999 9000-9269 9270-9339 9340-9423 9424-9499 9500-9599 9600-9699 9700-9899	8A500-8A599 8A600-8A669 8A670-8A999 9A000-9A269 9A270-9A339 9A340-9A423 9A424-9A499 9A500-9A599 9A600-9A699 9A700-9A899	Water Pumps Fan and Brackets Open Numbers Fuel Tank Fuel and Oil Gauges and Fuel Tubes Fuel Pumps Manifold, Clamps, Thermostats, etc. Carburetors Carburetor Air Cleaners Thermostatic Choke, Acc. Spark & Throttle Control Rods	15850-15874 15875-15899 15900-15999 16000-16249 16250-16299 16300-16449 16450-16549 16550-16579 16580-16599 16600-16999	15A850-15A874 15A875-15A899 15A900-15A999 16A000-16A249 16A250-16A299 16A300-16A449 16A450-16A549 16A550-16A579 16A580-16A599 16A600-16A999	Parking Brake Signal Open Numbers * Front Fender and Aprons Fender Shields Rear Fenders Running Boards and Brackets Splash Shields Open Numbers Hood, Brackets, and Controls
9900-9999 10000-10299 10300-10399 10400-10499 10500-10649 10650-10837 10838-10999 11000-11529 11530-11568 11569-11619	9A900-9A999 10A000-10A299 10A300-10A399 10A400-10A499 10A500-10A649 10A650-10A837 10A838-10A999 11A000-11A529 11A530-11A568 11A569-11A619	* Generators Alternator and Rectifier Open Numbers Generator Regulator Battery and Supports—Voltmeter and Charge Indicator Instrument Cluster and Controls Starting Motor and Starter Switch Open Numbers Ignition Switch	17000-17149 17150-17249 17250-17384 17385-17399 17400-17424 17425-17599 17600-17674 17675-17748 17749-17999	17A000-17A149 17A150-17A249 17A250-17A384 17A385-17A399 17A400-17A424 17A425-17A599 17A600-17A674 17A675-17A748 17A749-17A999	Tools Open Numbers Speedometer and Tachometer Open Numbers Rear Window Wiper Windshield Wipers Windshield Washers Rear View Mirrors Front and Rear Bumpers and Stone Deflectors
11620-11644 11645-11688 11689-11999 12000-12399 12400-12427 12428-12449	11A620-11A644 11A645-11A688 11A689-11A999 12A000-12A399 12A400-12A427 12A428-12A449	Open Numbers Lighting Switch Open Numbers Ignition Coil, Distributor, Condenser and Diaphragm Spark Plugs Open Numbers	18000-18199 18200-18241 18242-18699 18700-18799 18800-19499 19500-19549 19550-19999	18A000-18A199 18A200-18A241 18A242-18A699 18A700-18A799 18A800-19A499 19A500-19A549 19A550-19A999	Shock Absorbers * Heaters Air Brakes Radio Miscellaneous Accessories Air Conditioners



BUY IT NOW!
Click Here To Order

Shipping will be identified in the series.



BODY BASIC NUMBERS AND CORRESPONDING FUNCTIONS

BASIC PART NO. SERIES	BASIC SERIES EXPANSION	PARTS WHICH QUALIFY BY FUNCTIONAL AREA	BASIC PART NO. SERIES	BASIC SERIES EXPANSION	PARTS WHICH QUALIFY BY FUNCTIONAL AREA
*7000000-7000099 00100-00399 01400-01499 01500-01599 01600-01799 01800-01999 02000-02499 02500-02699 02700-02899 02900-02999 03000-03999 04000-04249 04250-04399 04400-04599	70000A00-70000A99 001A00-003A99 014A00-014A99 015A00-015A99 016A00-017A99 018A00-019A99 020A00-024A99 025A00-026A99 027A00-028A99 029A00-029A99 030A00-039A99 040A00-042A49 042A50-043A99 044A00-045A99	Body Assembly & Trim Sets Front End Assembly Ventilating Ducts & Valves Brake Pedal Support Dash Assembly Ventilating Ducts & Valves Cowl Assembly Front Body Pillar Assy. Open Body Front Tie Bow Braces, Etc. Windshield Assembly Visor Assembly Front Belt Rail Inst. Panel Assy. Panel Assy.—Instr. Panel Details	25000-25099 25100-25299 25300-25399 25400-25699 25700-25899 25900-25999 26000-26199 26200-26399 26400-26599 26600-26699 26700-26799 26800-26899 26900-26999 27000-27199	250A00-250A99 251A00-252A99 253A00-253A99 254A00-256A99 257A00-258A99 259A00-259A99 260A00-261A99 262A00-263A99 264A00-265A99 266A00-266A99 267A00-267A99 268A00-268A99 269A00-269A99 270A00-271A99	Rear Door Frame & Pillar Assy. Rear Door Header Rear Door Bottom Rear Door Garnish Moulding Rear Door Glass Open Rear Door Reinf. Rear Door Glass Frame Rear Door Lock Rear Door Handles Open Rear Door Hinge Open Rear Door Regulator
04600-04799 04800-04899 04900-05999 06000-06199 06200-09999 *7010000-7010099 10100-10599 10600-10999 11000-11099 11100-11399 11400-11499 11500-11799 11800-11999 12000-12099	046A00-047A99 048A00-048A99 049A00-059A99 060A00-061A99 062A00-099A99 70100A00-70100A99 101A00-105A99 106A00-109A99 110A00-110A99 111A00-113A99 114A00-114A99 115A00-117A99 118A00-119A99 120A00-120A99	Cigar Lighter Assy. & Instrument Cluster Ash Receptacle Assy. Open Glove Compt. Assy. Open Floor Assembly Floor Side Member Assy. Floor Cross Sill Assy. Under Body Assy. Floor Pan Assembly Floor Pan Silencers & Pads Floor Board Assy. Open Floor Board Riser	27200-27299 27300-27399 27400-27699 27700-27799 27800-28099 28100-28399 28400-28499 28500-28599 28600-28699 28700-28799 28800-28999 29000-29199 29200-29599 29600-29699	272A00-272A99 273A00-273A99 274A00-276A99 277A00-277A99 278A00-280A99 281A00-283A99 284A00-284A99 285A00-285A99 286A00-286A99 287A00-287A99 288A00-289A99 290A00-291A99 292A00-295A99 296A00-296A99	Rear Door Check Rear Door Regulator Vacuum Lift Rear Door Trim Quarter Assy. Quarter Panel Assy. Quarter Lock Pillar Open Quarter Header Quarter Frame Quarter Belt Rail Open Quarter Window Garnish Moulding & Moulding Quarter Reinf. Braces & Brkts. Quarter Window Assy.
12100-12299 12300-12599 12600-12699 12700-12999 13000-13199 13200-13299 13300-13499 13500-13599 13600-13799 14000-14099 14100-14199 14200-14299 14300-19999 *7020000-7020099	121A00-122A99 123A00-125A99 126A00-126A99 127A00-129A99 130A00-131A99 132A00-132A99 133A00-134A99 135A00-135A99 136A00-137A99 140A00-140A99 141A00-141A99 142A00-142A99 143A00-199A99 70200A00-70200A99	Floor Trans. Cover Dust Sealer Open Floor Skid Strip Open Floor Mat & Carpet Floor Scuff Plate Open Floor Tool Box Open Member Assy.—Body Side Front Member Assy.—Body Side Rear Sill Assy.—Floor Pan Cross Front Open Body Side Assembly	29700-29799 29800-29999 7030000-7030199 30200-30299 30300-30499 30500-30699 30700-30799 30800-30999 31000-31499 31500-31599 31600-31899 31900-31999 32000-32199 32200-32399	297A00-297A99 298A00-299A99 70300A00-70301A99 302A00-302A99 303A00-304A99 305A00-306A99 307A00-307A99 308A00-309A99 310A00-314A99 315A00-315A99 316A00-318A99 319A00-319A99 320A00-321A99 322A00-323A99	Quarter Window Glass Quarter Glass Channel Quarter Glass Run Quarter Window Reg. Quarter Vent. Window Quarter Window Regulator Quarter Glass Frame Quarter Arm Rest Ash Receptacle Open Quarter Trim Assy. & Assist Loop Open Qtr. Arm Rest Assy. & Rear Seat Center Arm Rest Quarter Panel Spare Wheel Compt. Open Side Slats—Trim Sticks—Anti-Squeaks
20100-20199 20200-20399 20400-20499 20500-20699 20700-20799 20800-21099 21100-21299 21300-21399 21400-21799 21800-22199 22200-22399 22400-22499 22500-22599 22600-22699	201A00-201A99 202A00-203A99 204A00-204A99 205A00-206A99 207A00-207A99 208A00-210A99 211A00-212A99 213A00-213A99 214A00-217A99 218A00-221A99 222A00-223A99 224A00-224A99 225A00-225A99 226A00-226A99	Front Door Front Door Panel Front Door Pillar Front Door Header Front Door Bottom Front Door Garnish Mldg. & Mldgs. Front Door Reinf. Open Front Door Glass Front Door Lock Front Door—Glass Frame Front Door Handles Open Front Door Handles—Inside	32400-32499 32500-39999 7040000-7040099 40100-40199 40200-40299 40300-40399 40400-40499 40500-40599 40600-40699 40700-40799 40800-40899 40900-40999 41000-41099 41100-41199	324A00-324A99 325A00-399A99 70400A00-70400A99 401A00-401A99 402A00-402A99 403A00-403A99 404A00-404A99 405A00-405A99 406A00-406A99 407A00-407A99 408A00-408A99 409A00-409A99 410A00-410A99 411A00-411A99	Quarter Folding Compt.—Package Open Back Door Assembly Luggage Compt. Door Assy. Tail Gate Assy. Back Panel Assy. Lift Gate Open Luggage Compt. Door Panel Tail Gate Panel Assy. Back Door Frame Assy. Tail Gate Frame Assy. Back Door Pillar Fillers Open
22700-22799 22800-22899 22900-22999 23000-23099 23100-23399 23400-23499 23500-23599 23600-23699 23700-23999 24000-24199 24200-24299 24300-24599	227A00-227A99 228A00-228A99 229A00-229A99 230A00-230A99 231A00-233A99 234A00-234A99 235A00-235A99 236A00-236A99 237A00-239A99 240A00-241A99 242A00-242A99 243A00-245A99	Open Front Door Hinge Front Door Ventilating Window Front Door Dovetail Front Door Regulator Front Door Window Regulator Front Door Check Open Front Door Trim Front Door Arm Rest Hydraulic Window Operating Center Pillar Assy. Rear Door Assy. Rear Door Panels	41200-41299 41300-41399 41400-41599 41600-41699 41700-41899 41900-41999 42000-42199 42200-42299 42300-42499 42500-42599 42600-42699 42700-42899 42900-42999	412A00-412A99 413A00-413A99 414A00-415A99 416A00-416A99 417A00-418A99 419A00-419A99 420A00-421A99 422A00-422A99 423A00-424A99 425A00-425A99 426A00-426A99 427A00-428A99 429A00-429A99	Deck Pillar Group Luggage Compt. & Lift Gate Door Header Open Tail Gate Framing Back Belt Rail Back Door Glass & Framing Back Window Glass Back Window Frame Assy. Back Window Garnish Moulding Back Door Finish Strip—Mouldings Tail Gate Cross Finish Strip Luggage Compt. Hinge Assy.—Lamp Assy. Back Door Hinge & Reinf. Assy.

**BUY IT NOW!**

Click Here To Order



BODY BASIC NUMBERS AND CORRESPONDING FUNCTIONS (Continued)

BASIC PART NO. SERIES	BASIC SERIES EXPANSION	PARTS WHICH QUALIFY BY FUNCTIONAL AREA	BASIC PART NO. SERIES	BASIC SERIES EXPANSION	PARTS WHICH QUALIFY BY FUNCTIONAL AREA
43000-43099 43100-43149 43150-43199 43200-43399 43400-43499 43500-43699 43700-43799 43800-43899	430A00-430A99 431A00-431A49 431A50-431A99 432A00-433A99 434A00-434A99 435A00-436A99 437A00-437A99 438A00-438A99	Tail Gate Hinge Assy. Back Door Lock Assy. Tail Gate Lock Assy. Luggage Compt. Lock Assy. Back Door Handle Assembly Luggage Compt. Locking Handle Back Door Weatherstrip Luggage Compt., Bumper & Weatherstrip Tail Gate Bumper & Dowel Back Window Regulator Assy. Back Door Check Assy. Luggage Compt. Lid Support—Clamp Open Tail Gate Support	54900-54999 55000-55199 55200-55999 7060000-7060024 60025-60049 60050-60074 60075-60099 60100-60124 60125-60199 60200-60299 60300-60499 60500-60799 60800-60999 61000-61299	549A00-549A99 550A00-551A99 552A00-559A99 70600A00-70600A24 600A25-600A49 600A50-600A74 600A75-600A99 601A00-601A24 601A25-601A99 602A00-602A99 603A00-604A99 605A00-607A99 608A00-609A99 610A00-612A99	Roof Ventilator Top Luggage Carrier Open Front Seat Assy. Compt. Less Trim Rear Seat Assy.—Opera Seat Assy. Front Seat Assy. Rear Seat Cushion Assy. Driver's Seat Adjustment Rear Seat Back Assy.—Deck Seat Back Assy. Driver's Seat Back Assy. Comp. Front Seat Cushion Frame Assy. Rear Seat Cushion Framing Aux. Seat Cushion Framing Opera Seat Cushion Framing Driver's Seat Cushion Framing Front Seat Back Framing
44600-44699 44700-44799 44800-44999 45000-45099 45100-45199 45200-45299 45300-45399 45400-45599 45600-45699 45700-45799 45800-45899 45900-45999 46000-46099 46100-46199 46200-46299	446A00-446A99 447A00-447A99 448A00-449A99 450A00-450A99 451A00-451A99 452A00-452A99 453A00-453A99 454A00-455A99 456A00-456A99 457A00-457A99 458A00-458A99 459A00-459A99 460A00-460A99 461A00-461A99 462A00-462A99	Back Reinf. Brackets Back Door Reinf. Luggage Compt. Opening Reinf. Tail Gate Reinforcement Luggage Compt. Drain Trough Back Trim Back Curtain Luggage Compt. Trim Luggage Tool Compt. Luggage Compt. Partition Board Luggage Compt. Shelf Board Luggage Compt. Lamp Assy. Luggage Compartment Package Compt. Tool Compt. Deck Step	61300-61399 61400-61499 61500-61599 61600-61699 61700-61899 61900-62099 62100-62299 62300-62399 62400-62499 62500-62599 62600-62799 62800-62899 62900-63199	613A00-613A99 614A00-614A99 615A00-615A99 616A00-616A99 617A00-618A99 619A00-620A99 621A00-622A99 623A00-623A99 624A00-624A99 625A00-625A99 626A00-627A99 628A00-628A99 629A00-631A99	Rear Seat Back Frame Rear Seat Side Pillar—Front Seat Side Board Rear Seat Side Panel Front Seat Back Panel Front Seat Adjusting Driver's Seat Adjustment Front Seat Back Reinf. Driver's Back Reinf. Rear Seat Back Reinf. Driver & Passenger Seat Support Rear Seat Legs Front Seat Floor Rest Toe Guard Front Seat Back Robe Cord Front Seat Back Ash Receptacle Front Seat Cushion Cover—Center Seat Opera Seat Cushion
46300-46399 46400-46499 46500-46599 47000-47299 47300-47399 48000-48099 48100-48999 7050000-7050099 50100-50199 50200-50299 50300-50599 50600-50799 50800-51299 51300-51399 51400-51599	463A00-463A99 464A00-464A99 465A00-469A99 470A00-472A99 473A00-479A99 480A00-480A99 481A00-489A99 70500A00-70500A99 501A00-501A99 502A00-502A99 503A00-505A99 506A00-507A99 508A00-512A99 513A00-513A99 514A00-515A99	Back Door Trim Luggage Compt. Trim Package Tray Spare Wheel Compartment Open Rear Rack Assy. Open Roof Assy. Top Assy. Roof Panel Assy. Top Slat Iron Top Operating Mechanism Roof Reinf. Retainers Roof Rail Assembly Top Bow Assy. & Dome Lamp—Brkts. & Att. Parts	63100-63199 63200-63299 63300-63399 63400-63499 63500-63599 63600-63699 63700-63799 63800-63899 64000-64099 64200-64399 64400-64599 64600-64699	631A00-631A99 632A00-632A99 633A00-633A99 634A00-634A99 635A00-635A99 636A00-636A99 637A00-637A99 638A00-638A99 640A00-640A99 642A00-643A99 644A00-645A99 646A00-646A99	Front Seat Cushion Spring—Center Seat Opera Seat Cushion Spring Rear Seat Cushion Spring Seat Cushion Pad Seat Cushion Facing Seat Cushion End Pipe Cushion Button Seat Cushion Welt Binding Front Seat Side Carpet Rear Seat Cushion Cover Deck Seat Cushion Cover Driver's Seat Rear Cover Partition Window Operating Mech. Front Seat Back Cushion Cover Seat Back & Pad Assy. Seat Back Division Frame
51600-51699 51700-51799 51800-51899 51900-51999 52100-52299 52300-52399 52400-52499 52500-52599 52600-52699 52700-52999 53000-53099 53100-53199 53200-53299 53300-53399 53400-53499	516A00-516A99 517A00-517A99 518A00-518A99 519A00-519A99 521A00-522A99 523A00-523A99 524A00-524A99 525A00-525A99 526A00-526A99 527A00-529A99 530A00-530A99 531A00-531A99 532A00-532A99 533A00-533A99 534A00-534A99	Roof Rib & Slats Roof Drip & Finish Moulding Roof Partition Roof Trim Panel Headlining Roof Headlining Support Roof Binding Roof Cardboard Top Back Curtain Open Top Deck & Slide Quarter Top Stack—Toggle Top Landau—Folding Pillar Top Back Curtain Hydraulic Group Top Curtain Container	64700-64799 64800-64899 64900-64999 65000-65099 65100-65199 65200-65299 65300-65399 65400-65499 65500-65599 65600-65999 66000-66099 66100-66599 66600-66699	647A00-647A99 648A00-648A99 649A00-649A99 650A00-650A99 651A00-651A99 652A00-652A99 653A00-653A99 654A00-654A99 655A00-655A99 656A00-659A99 660A00-660A99 661A00-665A99 666A00-666A99	Front Seat Back Spring—Center Seat Front Seat Back Pad Front Seat Back Cardboard Opera Seat Cardboard Cover Etc., Center Seat Front Seat Back Facing Front Seat Back Trim Rail Front Seat Back Cushion Welt & Mldg. Front Seat Back Wadding Front Seat Back Misc. Trim—Hassock Assy. Front Seat Back Bellows Open Pedestal Seat Open Rear Seat Back Cover Deck Seat Back Cover
53500-53599 53600-53699 53700-53799 53800-53899 53900-54199 54200-54299 54300-54399 54400-54499 54500-54599 54600-54699 54700-54799 54800-54899	535A00-535A99 536A00-536A99 537A00-537A99 538A00-538A99 539A00-541A99 542A00-542A99 543A00-543A99 544A00-544A99 545A00-545A99 546A00-546A99 547A00-547A99 548A00-548A99	Top Side Front Curtain Top Side Rear Curtain Top Covers, Pads and Retainers Quarter Curtain Folding Top Top Back Stay Roof Pads & Wadding—Silencers Top Dust Hood & Container Open Top Folding Compt. Roof Weatherstrip Top Hold Down Strap	66700-66799 66800-66899 66900-66999 67000-67099 67100-67199 67200-67299 67300-67399 67400-67599	667A00-667A99 668A00-668A99 669A00-669A99 670A00-670A99 671A00-671A99 672A00-672A99 673A00-673A99 674A00-675A99	Rear Seat Back Spring Deck Seat Back Spring Rear Seat Back Pad Deck Seat Back Pad Rear Seat Cardboard Rear Seat Back Facing Rear Seat Back Center Arm Rest Cover Rear Seat Arm Rest Rear Seat Silencer Rear Seat Heelboard



BUY IT NOW!

Click Here To Order

DUAL EXPANSION SERIES BECOMES EXHAUSTED OF NUMBERS, ANOTHER SERIES OF THE NEXT ALPHABETICAL EXPANSION LETTER SUCH AS "B" THRU "Z".

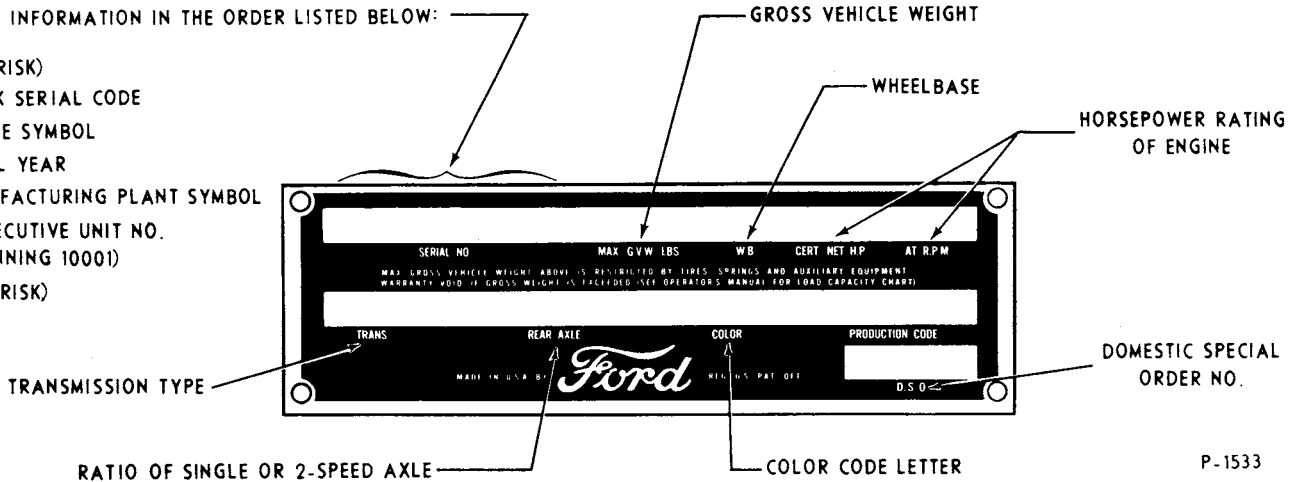


TYPICAL TRUCK RATING PLATE

The Rating Plate is installed on the left front cab pillar or glove box door depending on model. On the Parcel Delivery, it is located on the right hand dash panel.

SERIAL NO. FROM LEFT TO RIGHT TO HAVE THE FOLLOWING INFORMATION IN THE ORDER LISTED BELOW:

- *(ASTERISK)
- TRUCK SERIAL CODE
- ENGINE SYMBOL
- MODEL YEAR
- MANUFACTURING PLANT SYMBOL
- CONSECUTIVE UNIT NO. (BEGINNING 1000)
- *(ASTERISK)



P-1533

The various Rating Plate Codes are shown in detail on the pages indicated below.

C O D E	P A G E N U M B E R
Assembly Plant	XI
District	XI
D.S.O.	X
Engine	XI
Exterior Paint Body Color	XIII
Model Year	XI
Production Date	X
Transmissions	XI
Truck Series and their Related Catalog Symbols	XII

D.S.O. CODE

The D.S.O. Code is the Domestic Special Order number assigned to a vehicle using some equipment or parts which were not used in regular production.

Always furnish appropriate Rating Plate information when ordering special parts applicable to D.S.O. units.

PRODUCTION DATE CODE

CODE		MONTH	CODE		MONTH
FIRST YEAR	SECOND YEAR		FIRST YEAR	SECOND YEAR	
A	N	January	G	U	July
B	P	February	H	V	August
C	Q	March	J	W	September
		April	K	X	October
		May	L	Y	November
		June	M	Z	December

PLATE OR WARRANTY PLATE CODES, REFER TO PAGES WHICH FOLLOW. ALSO SEE INDEX

RATING PLATE - CONTINUED

1951-56 TRANSMISSION TYPES & CODES					ASSEMBLY PLANT CODES							
NUMBER OF SPEEDS	TYPE	1951/52	1953/55	1956	PLANT	YEAR AND CODE			PLANT	YEAR AND CODE		
						1951/52	1953/55	1956		1951/52	1953/55	1956
3	Standard	3	3	3	Atlanta	AT	A		Lorain			
3	Heavy Duty	3HD	3HD	3HD	Buffalo	BF	B		Long Beach	LB	L	L
3	Overdrive		3OD	3OD								
4	Spur	4			Chester	CS	C		Louisville	LU	U	U
4	Synchronized		4SYN	4SYN	Chicago	CH	G	G	Memphis	MP	M	M
5	Heavy Duty-Direct	5DIR	5DIR	5DIR	Dallas	DI	D	D	Norfolk	NR	N	N
5	Heavy Duty-Overdrive	5OD	5OD	5OD	Dearborn	DA	F		Richmond	RH	R	
	Fordomatic		Auto	Auto	Edgewater	EG	E		Somerville	SR	S	
					HIGHLAND PARK	HM			TWIN CITY (ST. PAUL)	SP	P	P
					DETROIT TRUCK		H	H	Mahwah			E
					KANSAS CITY	KC	K	K	San Jose			R

MODEL YEAR CODES			
YEAR	CODE	YEAR	CODE
3	1953	5	1955
4	1954	6	1956

ENGINE CODES

CODE	ENGINE		NUMBER CARB. VENTURI	TYPE	CERTIFIED NET HORSE POWER	R.P.M.	CODE	ENGINE		NUMBER CARB. VENTURI	TYPE	CERTIFIED NET HORSE POWER	R.P.M.
	NO. CYL.	CUBIC INCH DISP.						NO. CYL.	CUBIC INCH DISP.				
1951-52													
H	6	226					D	6	223				
D	6	215					V	8	239				
M	6	254					Z	8	256				
R	8	239					J	8	279				
E	8	337					K	8	317				
J	8	279					1956						
K	8	317					D	6	223				
1953													
D	6	215		O.H.V.			V	8	272	2	Light Duty		
M	6	254		L-head			Z	8	272	2	Heavy Duty		
R	8	239		L-head			R	8	272	4	Heavy Duty		
J	8	279		O.H.V.			J	8	302	2			
K	8	317		O.H.V.			A	8	302	4			
							K	8	332	2			
							S	8	332	4			

DISTRICT CODES

CODE	DISTRICT	CODE	DISTRICT	CODE	DISTRICT	CODE	DISTRICT
11	Boston	31	Cincinnati	51	Denver	72	San Jose
12	Buffalo	32	Cleveland	52	Des Moines	73	Salt Lake City
13	New York	33	Detroit	53	Kansas City	74	Seattle
14	Pittsburgh	34	Indianapolis	54	Omaha	75	Phoenix
15	Newark	35	Lansing	55	St. Louis	81	Ford of Canada
21	Atlanta	36	Louisville	61	Dallas	83	Government
22	Charlotte	41	Chicago	62	Houston	84	Home Office Reserve
23	Philadelphia	42	Fargo	63	Memphis	85	American Red Cross
	Indianapolis	43	Pockford	64	New Orleans	86	Diplomatic Service Comm.
	Indianapolis		Indianapolis	65	Oklahoma City	89	Transportation Service
	Indianapolis		Indianapolis	71	Los Angeles	90's	Export



BUY IT NOW!

Click Here To Order



RATING PLATE - CONTINUED

CATALOG MODEL SYMBOLS

CODE			TRUCK SERIES	E PARTS CATALOG MODEL SYMBOL	CODE			TRUCK SERIES	E PARTS CATALOG MODEL SYMBOL
REGULAR	LIGHT	HEAVY			REGULAR	LIGHT	HEAVY		

1951 - 52

F-1			F-1	Conventional	C	B-5			F-5	School Bus	Y
F-2			F-2	Conventional	D	B-6			F-6	School Bus	TH
F-3			F-3	Conventional	Y	F-6			F-6	Conventional	TH
P-3			F-3	Parcel Delivery	J	C-6			F-6	Cab Over Engine	WH
F-4			F-4	Conventional	TL	F-7			F-7	Conventional	Q
F-5			F-5	Conventional	T	F-8			F-8	Conventional	QH
C-5			F-5	Cab Over Engine	W						

1953

F-10			F-100	Conventional	C	C-60			C-600	Cab Forward	WH
F-25			F-250	Conventional	D	F-70			F-700	Conventional	THQ
F-35			F-350	Conventional	Y	B-70			B-700	School Bus	THQ
P-35			P-350	Parcel Delivery	J	F-75			F-750	Conventional	Q
F-50			F-500	Conventional	T	B-75			B-750	School Bus	Q
B-50			B-500	School Bus	T	C-75			C-750	Cab Forward	QW
C-50			C-500	Cab Forward	W	F-80			F-800	Conventional	QH
P-50			P-500	Parcel Delivery	JH	C-80			C-800	Cab Forward	QHW
F-60			F-600	Conventional	TH	F-90			F-900	Conventional	QHS
B-60			B-600	School Bus	TH						

1954 - 55

F-10			F-100	Conventional	C	F-70	F-71		F-700	Conventional	Z
F-25			F-250	Conventional	D	B-70			B-700	School Bus	Z
F-35			F-350	Conventional	Y	C-70	C-71		C-700	Cab Forward	ZW
P-35			P-350	Parcel Delivery	J	T-70	T-71		T-700	Tandem Axle	Q,Z
F-50			F-500	Conventional	T	F-75	F-76		F-750	Conventional	Q
B-50			B-500	School Bus	T	B-75			B-750	School Bus	Q
C-50			C-500	Cab Forward	W	C-75	C-76		C-750	Cab Forward	QW
P-50			P-500	Parcel Delivery	JH	F-80	F-81		F-800	Conventional	QH
F-60	F-61		F-600	Conventional	TH	C-80	C-81		C-800	Cab Forward	QHW
B-60			B-600	School Bus	TH	T-80	T-81		T-800	Tandem Axle	QH
C-60	C-61		C-600	Cab Forward	WH	F-90	F-91		F-900	Conventional	QHS
P-60	P-61		P-600	Parcel Delivery	SPECIAL ORDER	C-90	C-91		C-900	Cab Forward	QSW

1956

F-10	F-11		F-100	Conventional	C	B-70	B-71		B-700	School Bus	Z
F-25	F-26		F-250	Conventional	D	C-70	C-71		C-700	Cab Forward	ZW
F-35	F-36		F-350	Conventional	Y	T-70	T-71		T-700	Tandem Axle	Q,Z
P-35	P-36		P-350	Parcel Delivery	J	F-75	F-76		F-750	Conventional	Q
F-50	F-51		F-500	Conventional	T	B-75	B-76		B-750	School Bus	Q
B-50	B-51		B-500	School Bus	T	C-75	C-76		C-750	Cab Forward	QW
C-50	C-51		C-500	Cab Forward	W	T-75	T-76		T-750	Tandem Axle	QH
P-50	P-51		P-500	Parcel Delivery	JH	F-80	F-81		F-800	Conventional	QH
F-60	F-61	F-63	F-600	Conventional	TH	C-80	C-81		C-800	Cab Forward	QHW
B-60	B-61	B-63	B-600	School Bus	TH	T-80	T-81	T-84	T-800	Tandem Axle	QH
C-60	C-61	C-63	C-600	Cab Forward	WH	F-90	F-91		F-900	Conventional	QHS
				Parcel Delivery	SPECIAL ORDER	C-90	C-91		C-900	Cab Forward	QSW
				Conventional	Z						



BUY IT NOW!

Click Here To Order

on rating plate.



RATING PLATE - CONTINUED

EXTERIOR PAINT BODY COLOR CODES

CODE	PART NO.	COLOR	CODE	PART NO.	COLOR
------	----------	-------	------	----------	-------

1951

A	M-1724	Black	M	M-14283	Meadow Green
B	M-14285	Sheridan Blue	N	M-1722	Vermilion
D	M-14448	Alpine Blue	P		Prime
G	M-14555	Sea Island Green	SS		Special
H	M-14197	Silvertone Gray			

1952

A	M-1724	Black	M	M-14283	Meadow Green
B	M-14285	Sheridan Blue	N	M-1722	Vermilion
D	M-2J-64	Woodsmoke Gray	P		Prime
G	M-2J-66	Glen Mist Green	SS		Special
K	M-2J-16	Sandpiper Tan			

1953

A	M-1724	Black	N	M-1722	Vermilion
B	M-14285	Sheridan Blue	R	M-14283	Meadow Green
C	M-2J-184	Glacier Blue	P		Prime
D	M-2J-64	Woodsmoke Gray	SS		Special
G	M-2J-187	Seafoam Green			

1954

A	M-1724	Black	U	M-14283	Meadow Green
B	M-14285	Sheridan Blue	V	M-2J-358	Goldenrod Yellow
D	M-2J-184	Glacier Blue	P		Prime
H	M-2J-258	Sea Haze Green	SS		Special
R	M-2J-175	Vermilion			

1955

A	M-1724	Black	R	M-2J-175	Torch Red
B	M-2J-346	Banner Blue	U	M-14283	Meadow Green
C	M-2J-347	Aquatone Blue	V	M-2J-358	Goldenrod Yellow
D	M-2J-355	Waterfall Blue	P		Prime
E	M-2J-354	Snowshoe White	SS		Special
G	M-2J-349	Sea Sprite Green			

1956

A	M-1724	Black	U	M-14283	Meadow Green
B	M-2J-521	Nocturne Blue	M	M-2J-531	Golden Glow Yellow
D	M-2J-523	Diamond Blue	H	M-2J-532	Platinum Gray
E	M-2J-524	Colonial White	P		Prime
F	M-2J-527	Meadow Mist Green	S		Special
G	M-2J-175	Torch Red			



BUY IT NOW!

Click Here To Order



FORD TRUCK PARTS

PAINTS, THINNERS, ETC.

YEAR	CONTAINER SIZE								DESCRIPTION	PART NUMBER			
	8 OZ.	6 OZ.	12 OZ.	PINT	QUART	GAL.	5 GAL.	55 GAL.					
THINNERS and REDUCERS													
		X							Leveler (spray can)	B7A 645-S			
						X			Lacquer thinner No. 1 (slow dry)	M14J 645-D			
							X		Lacquer thinner No. 1 (slow dry)	M14J 645-E			
								X	Lacquer thinner No. 2 (medium fast dry)	M14J 646-E			
							X		Lacquer thinner No. 2 (medium fast dry)	M14J 646-H			
					X				Enamel reducer	DL60 647-A			
					X				Lacquer thinner (all purpose)	M14J 647-D			
						X			Lacquer thinner (all purpose)	M14J 647-E			
							X		Lacquer thinner (all purpose)	M14J 647-H			
					X				Enamel reducer (all purpose)	M14J 648-D			
						X			Enamel reducer (all purpose)	M14J 648-E			
UNDERCOATS													
						X			Lacquer comb. primer surfacer - Gray	M 6J 12-D			
	X								Lacquer primer surfacer - Gray (spray can)	M 6J 12-S			
						X			Lacquer comb. primer surfacer - Red	M 6J 13-D			
RUBBING COMPOUNDS													
						X			Rubbing compound-hand (water base)	M 3789			
PUTTIES and SEALERS													
						X			Dark Gray putty lacquer, 1 lb. tube	C3AZ 19B542-A			
							X		Body sealer	C3AZ 19560-A			
SPECIALTIES													
			X						Argent-lacquer	M 2J 23-L			
		X							Argent (spray can)	M 2J 23-S			
				X					Torch red-synthetic enamel	M 1J 175-C			
X									Torch red (touch up paint-with brush)	M 4J 175-A			
	X								Torch red (spray can)	M 2J 175-S			
					X				Dewaxo (wax & grease remover)	M 3721			
				X					Bonding coat (transfer film)	M 4584			
				X					Water soluble transfer solution	M 5412-A			
	X								Meadow Green (spray can)	M 14283-S			
				X					Meadow Green-synthetic enamel	M 14283-SE			
BLACK and WHITE FINISHES													
					X				Ford black (brushing)	M 165-A			
		X							White (refrigerator) - spray can	M 1292-S			
				X					Black-synthetic enamel	M 1J 1724-C			
					X				Black-synthetic enamel	M 1J 1724-D			
				X					Black-lacquer	M 4J 1724-C			
					X				Black-lacquer	M 4J 1724-D			
	X								Black-lacquer (spray can)	M 4J 1724-S			
					X				Chassis black	B8A 3713-A			
YEAR	DESCRIPTION				CODE	PART NUMBER	YEAR	DESCRIPTION				CODE	PART NUMBER

LACQUERS and SYNTHETIC ENAMELS

TOUCH UP PAINT - 3oz. CAN - WITH BRUSH

56	Nocturne Blue	B	M 2J 521	56	Meadowmist Green	G	M 2J 527
55	Snowshoe White	E	M 2J 354	56	Platinum Gray	H	M 2J 532
56/	Colonial White	E	M 4J 524-A	56	Goldenglow Yellow	M	M 2J 531

LACQUER PAINT - PINT CAN

55	Snowshoe White	E	M 2J 354-L	56	Meadowmist Green	G	M 2J 527-L
56/	Colonial White	E	M 4J 524-B				

SYNTHETIC ENAMEL PAINT - QUART CAN

Banner Blue	B	M 2J 346-SE	56	Meadowmist Green	G	M 2J 527-SE
		M 2J 523-SE	55/	Goldenrod Yellow (1955-V)(1958-9-X)		M 4J 358-C
		M 1J 524-C				

TOUCH UP PAINT - 6oz. SPRAY CAN

M 4J 524-S

100% SATISFACTION GUARANTEED

BUY IT NOW!

Click Here To Order

PayPal American Express Discover MasterCard VISA

APPEARANCE & MAINTENANCE MATERIALS

PART NUMBER (ROTUNDA SALES NO.)	DESCRIPTION	PART NUMBER (ROTUNDA SALES NO.)	DESCRIPTION
B7A 19000-AS	Clear plastic(FoMoCo spray)-6 oz.aerosol can 16 oz. can with brush	B7A 19530-A (R111-A)	Silicone auto polish-16 oz. can
B7A 19000-BS	Chrome-alum.(FoMoCo spray)-6 oz.aerosol can	B7A 19530-B (R111-C)	Custom Silicone Gloss (New Car Prep)-1 gal.
C1AZ 19000-A	Paint (Gloss Green-MX 6041168)-Enamel- air dry-1 gal. can	B9A 19530-D (R111-D)	Custom auto polish-4-1 gal. plastic bottle
C1AZ 19000-B	Paint (Gloss Green-MX 6041168)-Enamel- air dry-5 gal. can	B4A 19534-A (R128-B)	Custom auto wax-8 oz. can
C1AZ 19000-C	Paint (Gloss Green-MX 6041168)-Enamel- 55 gal. drum	B8A 19534-A (R128-A)	Custom auto wax 1-lb. can
C0AA 19A501-A	Solvent & penetrating fluid-manifold heat control valve-3 oz. can with plastic spout	B7A 19542-B (R103-B)	Brake & hydraulic clutch fluid (heavy duty)- 1 gallon
C0AZ 19A501-A (R149-A)	Solvent & penetrating fluid-8 oz. can	B7A 19542-C (R103-C)	Brake & hydraulic clutch fluid (heavy duty)- 5 gallons
C4AZ 19A501-A (R149-B)	Solvent & penetrating fluid-12 oz. can	B7AZ 19542-A (R103-A)	Brake & hydraulic clutch fluid (heavy duty)- 12 oz. can
C1AZ 19C502-A (R102-A)	Solution(metal tinning)-6 oz.aerosol spray can	C3AZ 19B542-A (R148-A)	Putty (dark gray)-1 lb. tube
C2RZ 19A503-A	Cleaner (cooling system)-18 oz. can	C2RZ 19C543-A (R140-A)	Tire inflator and sealant kit
C1AZ 19C507-A (R110-A)	Cleaner (Convertible rear window)-8 oz. plastic bottle	B7A 19544-A (R100-A)	Anti-freeze (Methanol)-55 gal. drum
B9AE 19B508-A (R112-A)	Contact adhesive(gasket & seal)16 oz. can with brush	1A 19544-A (R100-B)	Anti-freeze(Methanol)-1 gal. can
8A 19510-A (R123-A)	Dye(Convertible top dressing)-1 qt.can(Black)	1A 19544-C (R100-C)	Anti-freeze (Methanol)-1 quart can
B9A 19514-A (R124-A)	Protector (chrome)-12 oz. Aerosol Spray can	C3RZ 19C544-A (R142-A)	De-icer (windshield spray)-14 oz. aerosol can
◇ AB 19515-A (R108-B)	Body undercoating-53 gal. drum(water emulsion)	8A 19546-C (R104-A)	Radiator rust inhibitor & water pump lubricant-16 oz.
B5A 19515-A (R108-A)	Body undercoating-53 gallon drum-regular	C1AA 19B546-A	Lubricant(Hypoid additive)-4 oz.plastic bottle
1A 19517 (R116-A)	Dusting cloth-wax treated-17 1/2" x 23"	TAAA 19547-A	Fire extinguisher fluid-1 quart
8A 19517 (R116-B)	Rymplecloth-polishing-28" x 28"	C3RZ 19C547-B	Lubricant (std., 3 & 4 speed trans.)-5 gal.
8A 19519-A (R122-A)	Cleaner (body polish & wax)-1 pint can	C2RZ 19C548-A (R141-A)	Power steering & automatic transmission additive-8 oz. can
B7A 19520-A (R126-A)	Tar & road oil remover-16 oz. can	C2AZ 19549-C (R100-F)	Anti-Freeze (permanent type-long life)- 55 gal. drum
8A 19520-G	Cleaner (body porcelainize)-1 gal. can	C4AZ 19549-A (R100-G)	Anti-freeze(all season coolant)-1 gal. can
B7A 19521-A (R121-A)	Spot Remover (chlorothene cleaner)-1 pint can	C4AZ 19549-B (R100-H)	Anti-freeze (all season coolant)-1 qt. can
C0AA 19B521-A (R127-A)	Compound (body washing detergent)-12 oz. can	8A 19549-A (R100-D)	Anti-freeze-permanent type-1 gallon- (Ethylene Glycol)
C0AZ 19522-A	Cleaner(chrome)-12 oz.plastic bottle w/brush	8A 19549-B (R100-E)	Anti-freeze-permanent type-1 quart- (Ethylene Glycol)
8A 19522 (R120-A)	Cleaner (Chrome)-1 pint can	CPA 19550-A (R109-B)	Windshield washer solvent-6 oz. bottle
B8A 19523-A (R119-B)	Cleaner (Whitewall tire)-1 qt.liquid concentrate	C1AA 19550-A (R109-A)	Windshield washer solvent-16 oz. can
B8A 19523-B (R119-A)	Cleaner (all purpose)-1 gal. plastic bottle	8A 19552-B (R133-A)	Rubber cement-5 oz. tube
B8A 19524-A (R61-A)	Sprayer Self Energizing-1 quart	C0AZ 19552-A	Rubber cement-5 oz. tube (light colored)
C3RZ 19524-A (R61-B)	Spray applicator (1 pint container)-for use with B8A 19523-B all purpose cleaner	C0AZ 19553-A (R113-A)	Silicone lubricant (jell type)-8 oz. tube
B5A 19525-A	Kar Klean (all purpose trim cleaner)-28 oz.can	C0AZ 19553-C (R113-C)	Silicone lubricant-16 oz. aerosol spray can
C2AZ 19C525-A (R114-A)	Trim cement (Vinyl adhesive)-1 pint can	C3AZ 19554-A	Sealant-(loctite)-1 2/3 oz.plastic bottle
C0AZ 19526-A (R118-A)	Interior trim cleaner -for leathers,vinyls,car- pets & fabric upholstries-12 oz.bottle w/brush	C3AZ 19554-B	Sealer (conductive)-3 oz. can with brush
7 19526-B (-B)	Deep cleaner-upholstery foam cleaner-32 oz. plastic bottle	B5A 19554-A (R134-B)	Perfect seal sealing compound-carton of 12 4 oz. cans
	oz. bottles	C0AA 19554-A (R104-B)	Radiator inhibitor-rust, stop leak & water pump lubricant-5 1/2 oz. bottle
	eam)-8 oz. bottle	8A 19554-B (R134-A)	Perfect seal sealing compound-1 pint
	oz. plastic bottles		



BUY IT NOW!

Click Here To Order



APPEARANCE & MAINTENANCE MATERIALS - continued

PART NUMBER (ROTUNDA SALES NO.)	DESCRIPTION	PART NUMBER (ROTUNDA SALES NO.)	DESCRIPTION
B6A 19558-A (R105-A)	Protector pellet (cooling system)-carton of 12 pellets	C2AZ 19580-A	Hypoid gear lubricant (rear axle)-110 lb. keg (S. A. E. 90)
C0AZ 19558-A (R105-B)	Protector pellet (cooling system)-1 carton containing 300 pellets individually wrapped	C2AZ 19580-B	Hypoid gear lubricant (rear axle)-5 gal. container-S. A. E 80 (temperature range-minus 25° and below)
AB 19560-A (R135-A)	Caulking cord-6-80 foot rolls-3/16" diameter	C2AZ 19580-E	Lubricant (differential gears & washer)-1 lb. can-apply to differential case side, gear hub bores before assembly
C3AZ 19560-A (R147-A)	Body sealer (synthetic resin)-3 lb. tube	B5A 19581-A (R136-A)	Speedometer cable grease-1 lb. can
B6A 19562-A	Body caulk & sealer kit	C1AZ 19582-A (R106-A)	Fluid (Automatic trans. & Power Steering)-1 quart can
C3AZ 19562-A (R144-A)	Sealer & filler (silicone rubber)-5 oz. tube for Vinyl tops, also body sealer-White	C1AZ 19582-C (R106-B)	Fluid (Automatic trans. & Power Steering)-1 gallon can
C3AZ 19562-B (R144-B)	Sealer & filler (silicone rubber)-5 oz. tube for Vinyl tops, also body sealer-Black	C1AZ 19582-D (R106-C)	Fluid (Automatic trans. & Power Steering) 55 gal. drum
ΔB6A 19563-A	Caulk & sealer (Metallic)-7 1/2 oz. cartridge	B6A 19583-A (R137-A)	Ru-Glyde lubricant (for tubeless tire servicing)-1 gal. can
C3AZ 19578-A	Steering gear lubricant (life time)-14 1/2 oz. tube	C0AZ 19584-A (R138-A)	Lubriplate (all purpose lubricant) 1 3/4 oz. tube
B8A 19578-A	Special steering gear lubricant-20 oz. tube	C1AZ 19586-B	Lubricant ("U" joint)-14 1/2 oz. cartridge
B7A 19579-A (R115-A)	Carburetor & combustion chamber cleaner-16 oz. can	B4A 19587-A (R117-A)	Lock lubricant-carton of 12-4 oz. cans
B7A 19579-C (R146-A)	Crankcase conditioner & rust inhibitor-16oz. can	B8A 19589-A	Lubricant (special purpose) 1 lb.
*B9A 19579-A	Carb. & combustion chamber cleaner kit	C1AZ 19590-B	Grease (ball joint & tie rod lubricant)-14 1/2 oz. container
C2AZ 19579-A (R107-A)	Crankcase oil conditioner-16 oz. can		
C1AZ 19580-E	Hypoid gear lubricant (rear axle)-1 gal. (S. A. E. 90)		
C1AZ 19580-F	Hypoid gear lubricant (rear axle)-110 lb. keg (S. A. E. 90)		

USED TRUCK RECONDITIONING MATERIALS

P&A PART NUMBER (ROTUNDA SALES NO.)	DESCRIPTION	P&A PART NUMBER (ROTUNDA SALES NO.)	DESCRIPTION
C0AA 19A536-A (R129-A)	Engine Shampoo (cleaner & degreaser) 5 gal. drum	C0AB 19B544-A (R132-A)	Kit-Bright Metal Reconditioning-
C0AZ 19A536-B (R129-B)	Engine Shampoo (cleaner & degreaser) 30 gal. drum		Consists of 1 pt. Bright Metal Base Coating 1-4 oz. can Bright Metal Powder 1 pt. Bright Metal Sealer Coating 1 piece 3 1/2" x 6" Lamb's Wool 1 Spray Pak Device Including Nozzle 1 Glass Reservoir & (2) 15 oz. Paint Spray Propellant with Delivery Tube 1 Extra Delivery Tube 4-12" x 16" Paper Cloth Cleaners 1 Instruction Sheet - No. I. S. 539
C0AZ 19A536-C (R129-C)	Engine Shampoo (cleaner & degreaser) 55 gal. drum	C0AB 19A547-A (R101-A)	Filler (Polyfiller)-body repair-3 lb. can & tube of cream hardener
B9AA 19537-A (R130-A)	Patch, Rubber Mat-(1 Pkg. of 6)		
C0AB 19B542-A (R101-B)	Cream (poly filler hardener)-1 pkg. of 5-1 oz. tubes		
C1AZ 19627-A	Tape (pressure sensitized)-5" wide x 60 yards -used to recover arm rests, seats, floor mats, etc.		

PART NUMBER	DESCRIPTION	PART NUMBER	DESCRIPTION	PART NUMBER (ROTUNDA SALES NO.)	DESCRIPTION	PART NUMBER (ROTUNDA SALES NO.)	DESCRIPTION
-------------	-------------	-------------	-------------	------------------------------------	-------------	------------------------------------	-------------

NYLON DYE - QUART CAN

B9AA 19A538-A	Black	B9AA 19A538-E	Green
B9AA 19A538-B	White	B9AA 19A538-F	Yellow
B9AA 19A538-C	Brown	B9AA 19A538-G	Red
B9AA 19A538-D	Blue		

PLASTIC TINT - QUART CAN

B9AA 19A539-A	White	B9AA 19A539-E	Green
B9AA 19A539-B	Black	B9AA 19A539-F	Yellow
B9AA 19A539-C	Brown	B9AA 19A539-G	Red
B9AA 19A539-D	Blue		

LEATHER and VINYL DYE - QUART CAN

		19A540-E	Green
		19A540-F	Yellow
		19A540-G	Red
		19A540-H	Turquoise

PLASTIC DYE - QUART CAN

B9AA 19A541-A	White	B9AA 19A541-E	Gray
B9AA 19A541-B	Black	B9AA 19A541-F	Blue
B9AA 19A541-C	Brown	B9AA 19A541-G	Turquoise
B9AA 19A541-D	Green	B9AA 19A541-H	Red
C0AA 19A541-A	Yellow		

FABRIC TINT - QUART CAN

B9AA 19A542-A (R131-A)	Black	B9AA 19A542-F (R131-F)	Green
B9AA 19A542-B (R131-B)	Blue	B9AA 19A542-G (R131-G)	Turquoise
B9AA 19A542-C (R131-C)	Gray	B9AA 19A542-H (R131-H)	Beige
B9AA 19A542-D (R131-D)	Brown	B9AA 19A542-J (R131-J)	Yellow
B9AA 19A542-E (R131-E)	Red		



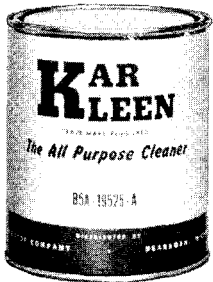
BUY IT NOW!

Click Here To Order



* 24 - 16 oz. cans of B7A 19579-A and (1) plastic dispenser bottle

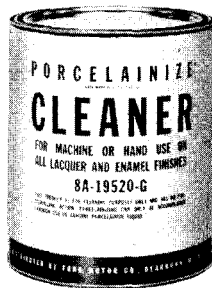
APPEARANCE MATERIALS



KAR KLEEN
28OZ. CAN-
B5A 19525-A



LIQUID CAR WASH
12OZ. CAN-
COAA 198521-A
(R 127-A)



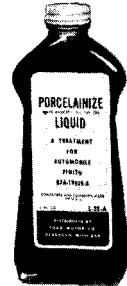
PORCELAINIZE CLEANER
GALLON-8A 19520-G



CLEANING CONCENTRATE
QUART-88A 19523-A
(R 119-B)



PORCELAINIZE WASH CREAM
8OZ.-8A 19529-B



PORCELAINIZE LIQUID
6OZ.-B7A 19528-A



TRIPLE CLEAN
12OZ.-COAZ 19526-A
(R 118-A)



CHROME CLEANER
PINT-8A 19522
(R 120-A)



CHROME CLEANER
12OZ.-COAZ 19522-A



CHROME PROTECTOR
12OZ.-89A 19514-A
(R 124-A)



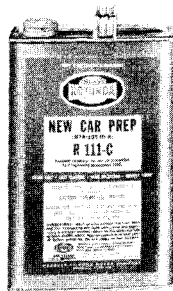
ALL-PURPOSE CLEANER
GALLON-88A 19523-B
(R 119-A)



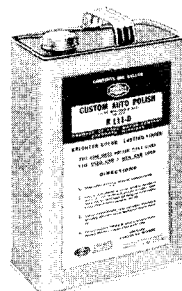
SPOT REMOVER
PINT-B7A 19521-A
(R 121-A)



TAR AND ROAD OIL REMOVER
16OZ.-B7A 19520-A
(R 126-A)



NEW CAR PREP
GALLON-B7A 19530-B
(R 111-C)



CUSTOM AUTO POLISH
GALLON-89A 19530-D
(R 111-D)



CUSTOM AUTO POLISH
12OZ.-86A 19530-A
(R 111-B)



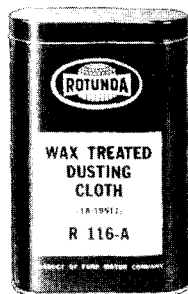
CLEANER-WAX POLISH
PINT-8A 19519-A
(R 122-A)



CUSTOM SILICONE GLOSS
PINT-B7A 19530-A
(R 111-A)



CUSTOM AUTO WAX
8OZ. B4A 19534-A



WAX TREATED DUSTING CLOTH
1A 19517 (R 116-A)



RYMPLECLOTH-POLISHING
8A 19517 (R 116-B)



SPRAY APPLICATOR
C3RZ 19524-A
(R 61-B)



BUY IT NOW!

Click Here To Order



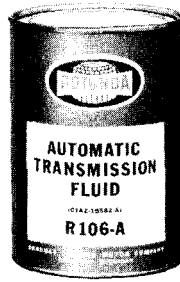
MAINTENANCE MATERIALS



OIL CONDITIONER
16OZ.-C2AZ 19579-A
(R 107-A)



CRANKCASE CONDITIONER
16OZ.-B7A 19579-C
(R 146-A)



AUTOMATIC TRANSMISSION FLUID
QUART-C1AZ 19582-A
(R 106-A)



AUTOMATIC TRANSMISSION SEALER
8OZ.-C2RZ 19C548-A
(R 141-A)



CARBURETOR AND COMBUSTION CHAMBER CLEANER
16OZ.-B7A 19579-A
(R 115-A)



BRAKE FLUID SUPER HEAVY DUTY
12OZ.-B7AZ 19542-A
(R 103-A)



LUBRICANT-DIFFERENTIAL GEAR AND WASHERS
1LB.-C2AZ 19580-E



LUBRICANT-HYPOID ADDITIVE
4OZ.-C1AA 19B546-A



LUBRICANT-U-JOINT
14½OZ. CARTRIDGE
C1AZ 19586-B



GREASE-BALL JOINT AND TIE ROD
14½OZ. CARTRIDGE
C1AZ 19590-B



STEERING GEAR GREASE
14½OZ. CARTRIDGE
C3AZ 19578-A



LUBRICANT-SPECIAL PURPOSE
1LB.-B8A 19589-A



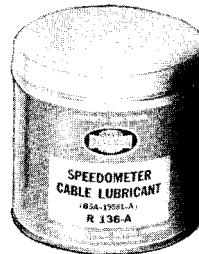
SILICONE LUBRICANT SPRAY
16OZ. SPRAY CAN
COAZ 19553-C
(R 113-C)



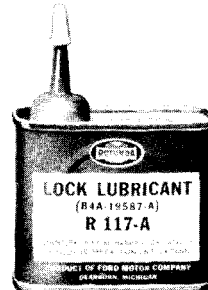
SILICONE LUBRICANT
8OZ. TUBE
COAZ 19553-A
(R 113-A)



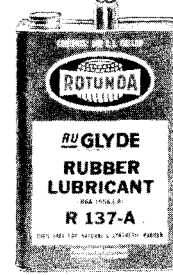
LUBRIPLATE
1¾OZ. TUBE
COAZ 19584-A
(R 138-A)



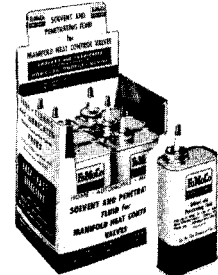
SPEEDOMETER CABLE LUBRICANT
1LB.-B5A 19581-A
(R 136-A)



LOCK LUBRICANT
4OZ.-B4A 19587-A
(R 187-A)



RUBBER LUBRICANT
GALLON-B6A 19583-A
(R 137-A)



SOLVENT AND PENETRATING FLUID
3OZ.-COAA 19A501-A



SPRAY GUN
PART-B8A 19524-A



GASKET AND SEAL CONTACT ADHESIVE
8OZ.-B08-A



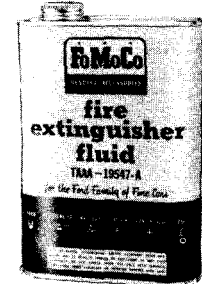
PERFECT SEAL SEALING COMPOUND
PINT-8A 19554-B
(R 134-A)



CONDUCTIVE SEALER
3OZ.-C3AZ 19554-B



LOCTITE SEALANT
1 2/3OZ. PLASTIC BOTTLE
C3AZ 19554-A



FIRE EXTINGUISHER FLUID
QUART-TAAA 19547-A



BUY IT NOW!

Click Here To Order



REFINISHING MATERIALS



TOP DYE
QUART-8A 9510-A
(R 123-A)



FABRIC TINT
QUART-B9AA 19A542-F
(R 131-F)



NYLON DYE
QUART-B9AA 19A538-C



LEATHER AND VINYL DYE
QUART-B9AA 19A540-B



PLASTIC DYE
QUART-B9AA 19A541-H



PLASTIC TINT
QUART-B9AA 19A539-D



TRIM CEMENT
PINT-C2AZ 19C525-A
(R 114-A)



CAULKING CORD
6-80 FOOT ROLLS
AB 19560-A
(R 135-A)



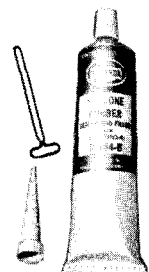
CAULK AND SEALER
7 1/2" OZ.-B6A 19563-A
(METALLIC)



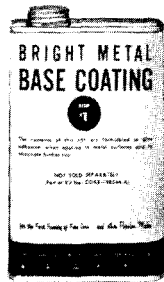
PLASTIC SEALER
3LB. TUBE
C3AZ 19560-A
(R 147-A)



RUBBER CEMENT
5OZ. TUBE
8A 19552-B
(R 133-A)



SILICONE RUBBER FILLER AND SEALER
5OZ. TUBE
C3AZ 19562-B
(R 144-B)



BRIGHT METAL RECONDITIONING KIT
COAB 19B544-A (R 132-A)



LACQUER SPOT PUTTY



POLYFILLER
CAN COAB 19A547-A
(R 101-A)



CREAM HARDENER-POLYFILLER
1OZ. TUBE
COAB 19B542-A
(R 101-B)



UNDERCOATING
53 GALLON DRUM
B5A 19515-A
(R 108-A)



QUICK SPRAY TINNING SOLUTION
6OZ. SPRAY CAN
C1AZ 19C502-A
(R 102-A)

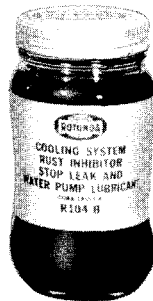
P-4245-B

100% SATISFACTION GUARANTEED

BUY IT NOW!

Click Here To Order

COOLING SYSTEM AIDS



COOLING SYSTEM CLEANER
18OZ.-C2RZ 19A503-A
(R 145-A)

RUST INHIBITOR AND WATER PUMP LUBRICANT
16OZ.-8A 19546-C
(R 104-A)

COOLING SYSTEM RUST INHIBITOR STOP LEAK AND WATER PUMP LUBRICANT
5½OZ.-COAA 19554-A
(R 104-B)

COOLING SYSTEM PROTECTOR PELLETS
CARTON-12 PELLETS
B6A 19558-A
(R 105-A)

PERMANENT ANTI-FREEZE
GALLON-8A 19549-A
(R 100-D)

REFRIGERANT "12"
15OZ.-B9LF 19B519-A
(R 125-A)

CLEAR VISION AND DRIVING AIDS



WINDSHIELD WASHER SOLVENT
6OZ.-CPA 19550-A
(R 109-B)

ALL-WEATHER WINDSHIELD WASHER SOLUTION
16OZ.-C1AA 19550-A
(R 109-A)

WINDSHIELD DE-ICER
14OZ. SPRAY CAN
C3RZ 19C544-A
(R 142-A)

CONVERTIBLE REAR WINDOW CLEANER
8OZ.-C1AZ 19C507-A
(R 110-A)

TIRE INFLATOR AND SEALANT
C2RZ 19C543-A
(R 140-A)



BUY IT NOW!

Click Here To Order

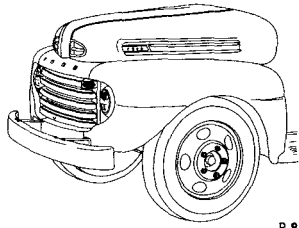
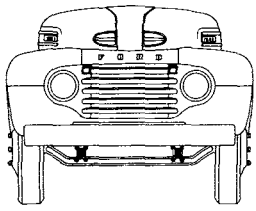


FORD TRUCK PARTS

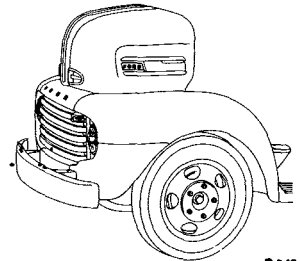
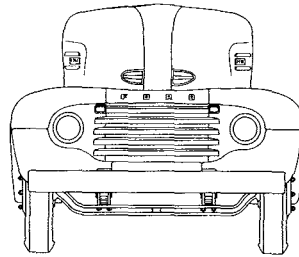
MODEL IDENTIFICATION

XXI

1948-50



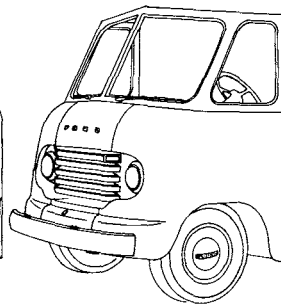
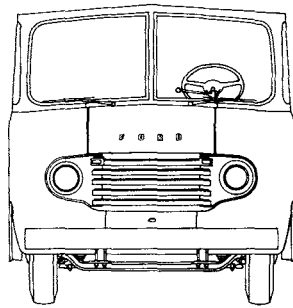
P-848



P-849

CONVENTIONAL

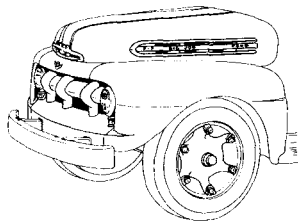
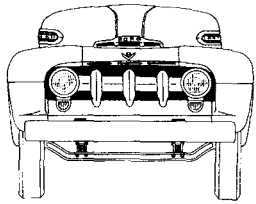
CAB OVER ENGINE



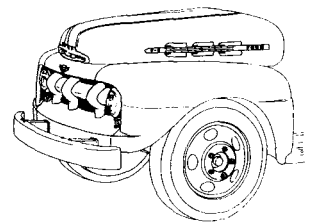
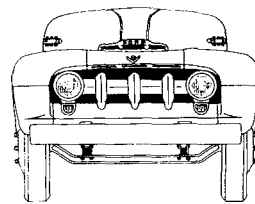
P-1034

PARCEL DELIVERY

1951



P-1227

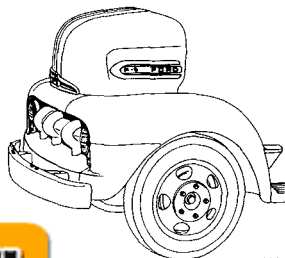
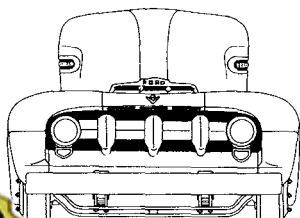


P-1226

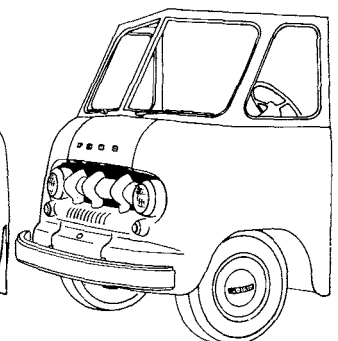
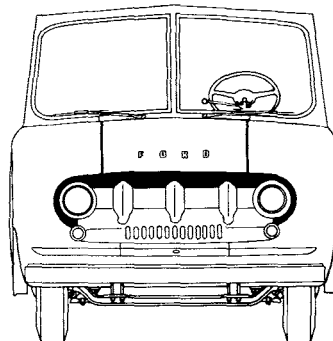
DELUXE CAB

CONVENTIONAL

STANDARD CAB



P-1228



P-1229

DELUXE CAB

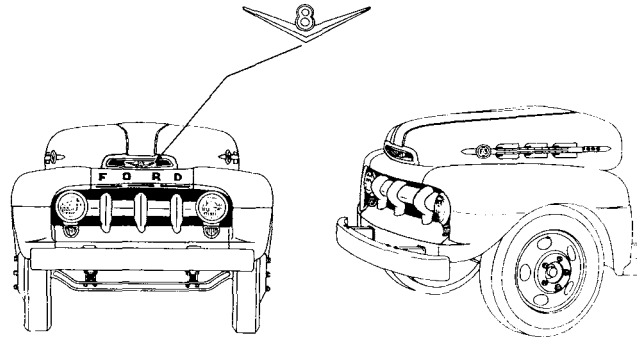
PARCEL DELIVERY



BUY IT NOW!

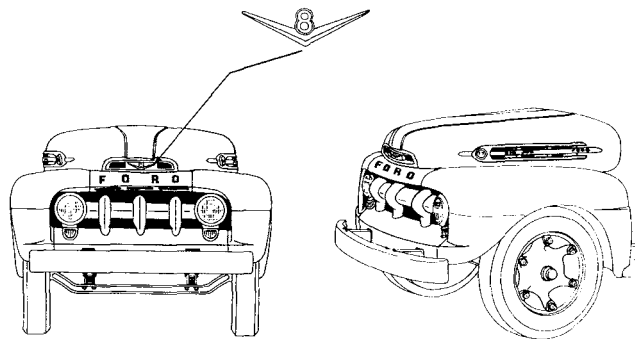
Click Here To Order





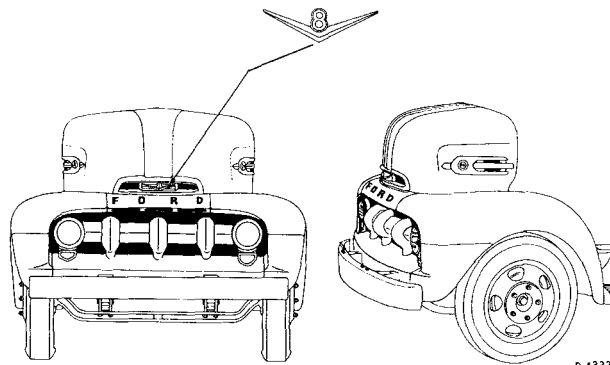
P-1331

CONVENTIONAL - STANDARD CAB



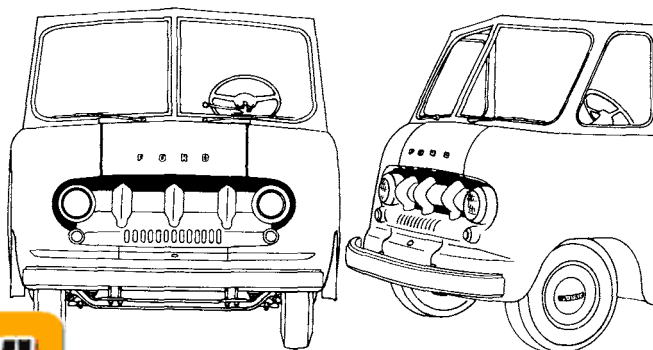
P-1332

CONVENTIONAL - DELUXE CAB



P-1333

CAB OVER ENGINE - DELUXE CAB



P-1229

PARCEL DELIVERY



BUY IT NOW!

Click Here To Order

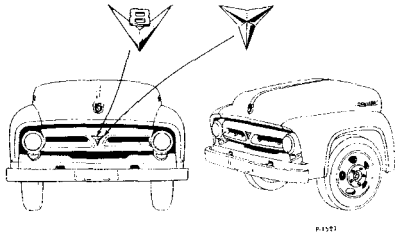


FORD TRUCK PARTS

1953

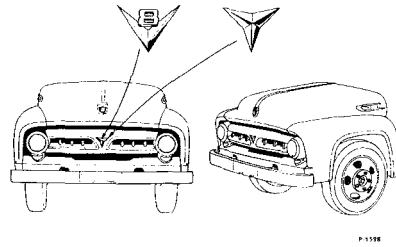
SERIES 100 THRU 600

MODEL IDENTIFICATION

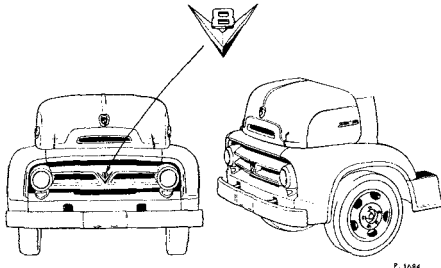


STANDARD CAB

CONVENTIONAL

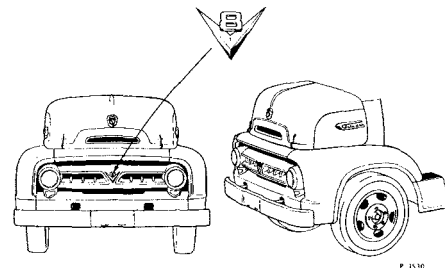


DELUXE CAB

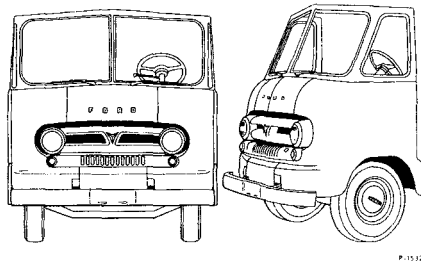


STANDARD CAB

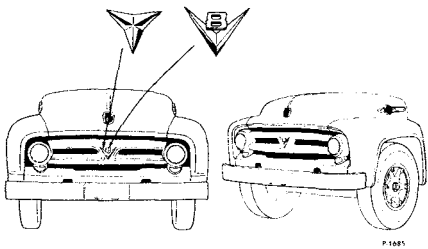
CAB FORWARD



DELUXE CAB

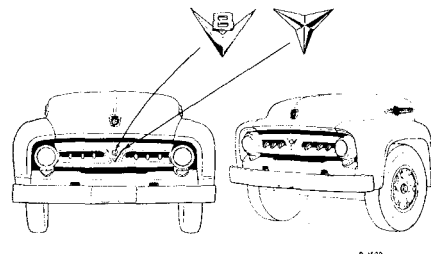


PARCEL DELIVERY
SERIES 700 THRU 900

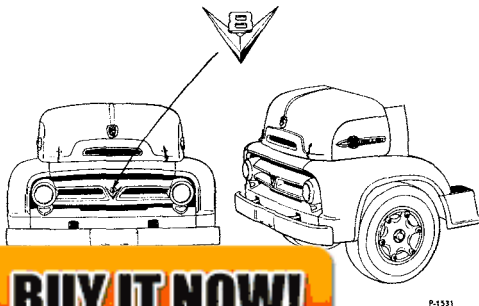


STANDARD CAB

CONVENTIONAL

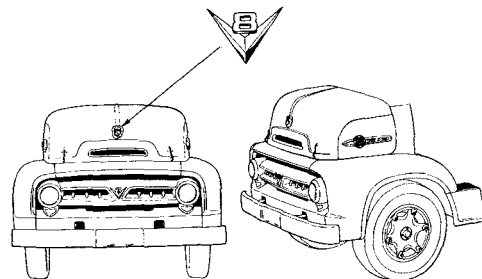


DELUXE CAB



P-1531

CAB FORWARD



P-1686

DELUXE CAB



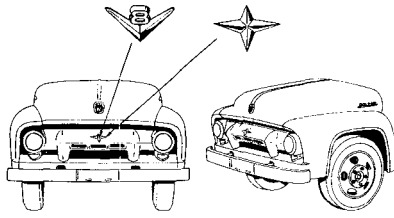
BUY IT NOW!

Click Here To Order



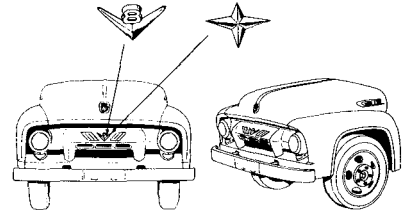
MODEL IDENTIFICATION

**FORD TRUCK PARTS
1954
SERIES 100 THRU 600**



P-1687

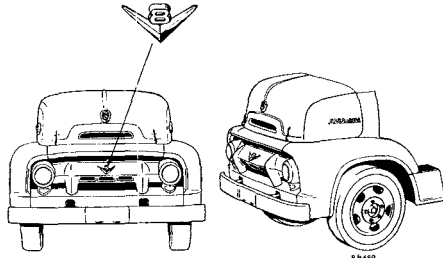
STANDARD CAB



P-1688

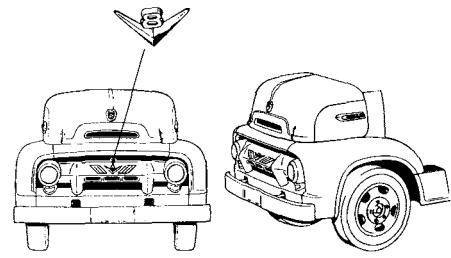
DELUXE CAB

CONVENTIONAL



P-1689

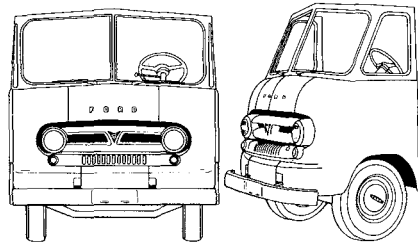
STANDARD CAB



P-1690

DELUXE CAB

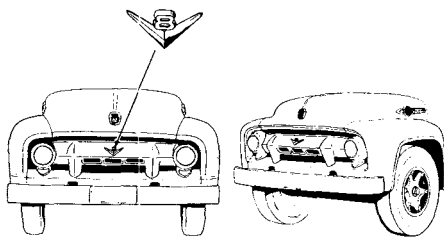
CAB FORWARD



P-1532

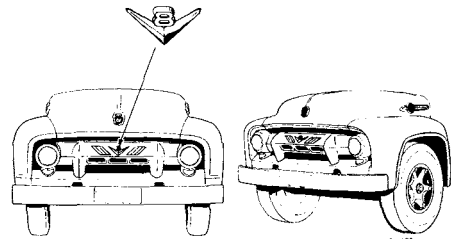
PARCEL DELIVERY

SERIES 700 THRU 900



P-1692

STANDARD CAB



P-1693

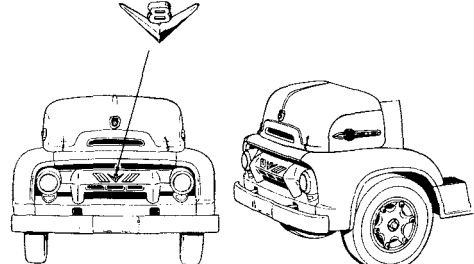
DELUXE CAB

CONVENTIONAL



P-1694

STANDARD CAB



P-1695

DELUXE CAB

CAB FORWARD



BUY IT NOW!

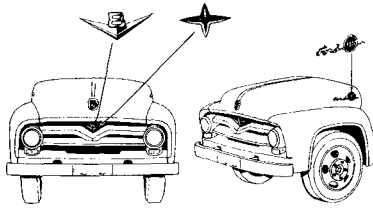
Click Here To Order



FORD TRUCK PARTS 1955 SERIES 100 THRU 600

MODEL
IDENTIFICATION

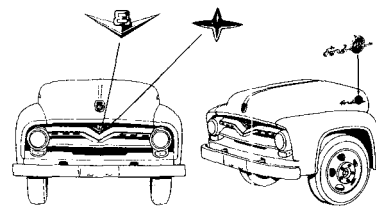
XXV



P-1895

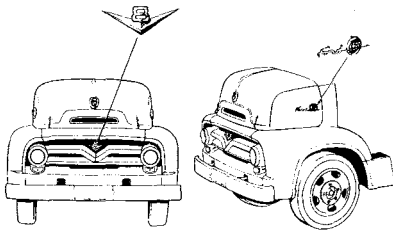
STANDARD CAB

CONVENTIONAL



P-1896

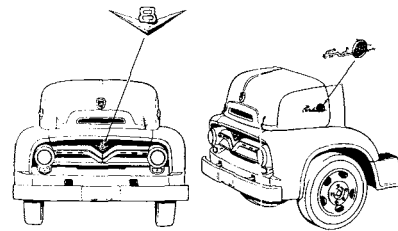
CUSTOM CAB



P-1897

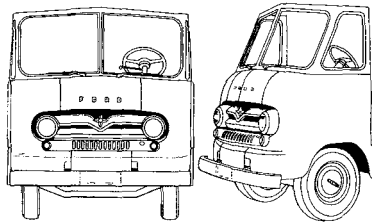
STANDARD CAB

CAB FORWARD



P-1898

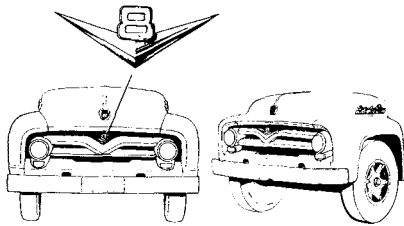
CUSTOM CAB



P-1899

PARCEL DELIVERY

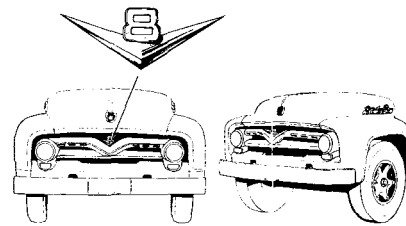
SERIES 700 THRU 900



P-1900

STANDARD CAB

CONVENTIONAL



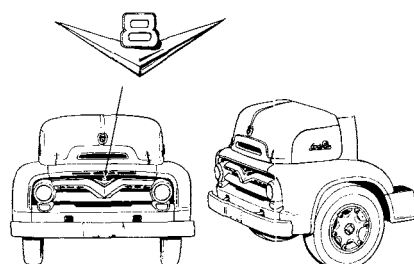
P-1901

CUSTOM CAB



P-1902

CAB FORWARD



P-1903

CUSTOM CAB



BUY IT NOW!

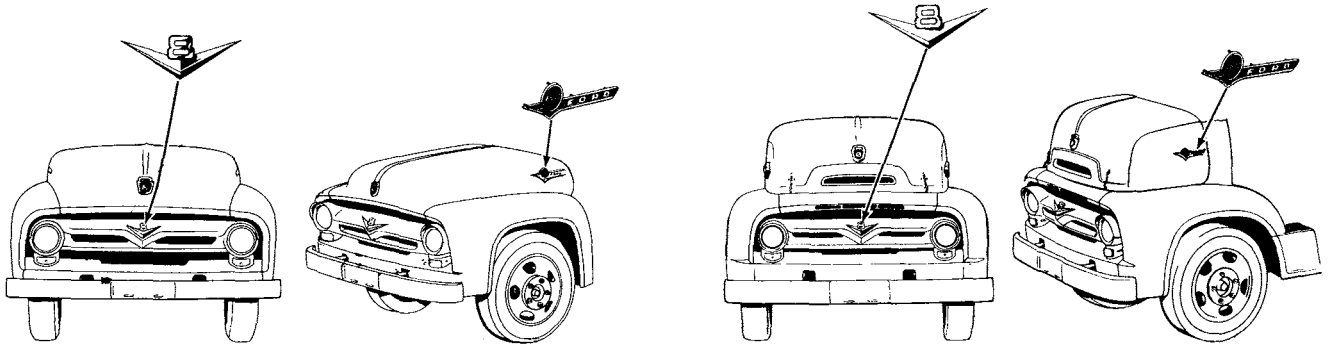
Click Here To Order



FORD TRUCK PARTS

1956

SERIES 100 THRU 600

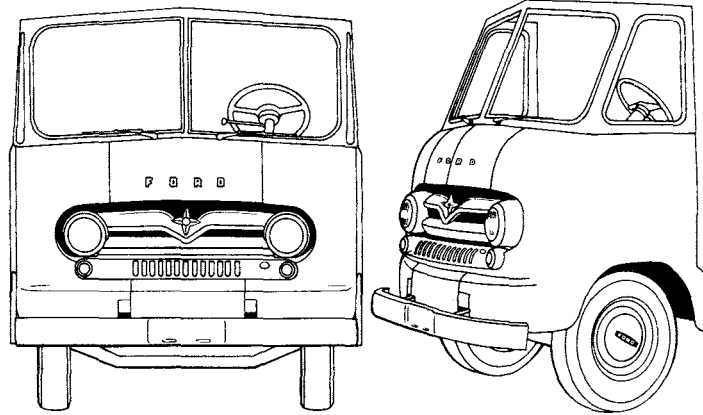


P-2060

P-2061

CONVENTIONAL

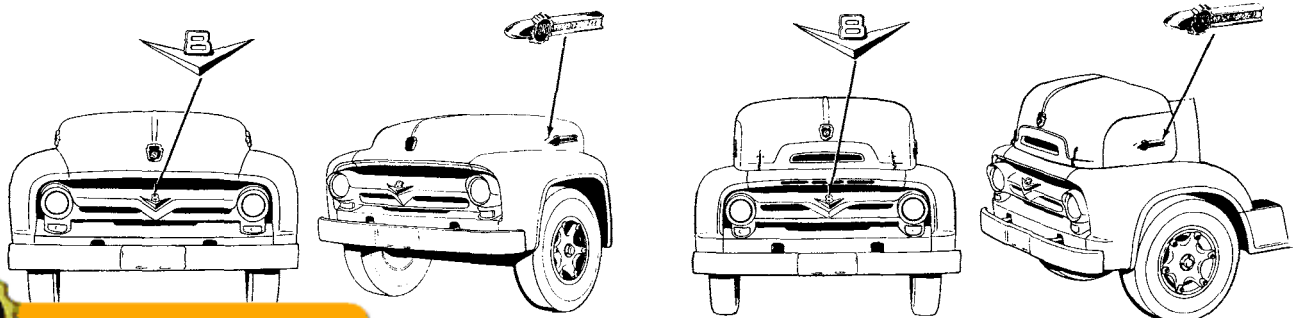
CAB FORWARD



P-1828

PARCEL DELIVERY

SERIES 700 THRU 900



P-2081

P-2082

AL

CAB FORWARD



BUY IT NOW!

[Click Here To Order](#)



INDEX

SECTIONS 20, 21, 22, 23, 24, 26 and 28 - BRAKE SYSTEM - continued

PART NAME	GROUP NUMBER	PART NAME	GROUP NUMBER
Boot (parking brake lever)	2A713	Cylinder ass'y. (brake)	2061-2
Boot (rear brake air chamber)	2338		2261-2
Boot (rear brake cable)	2597	Cylinder ass'y. (brake master)	2140
Bracket (air brake pedal to floor)	2467	Cylinder (brake booster control valve)	2417
Bracket (air compressor to cylinder block)	2882	Cylinder (brake booster hydraulic)	2425
Bracket (brake and clutch pedal)	2467	Diaphragm (brake air chamber)	2325
Bracket (brake booster mounting)	2031-2	Diaphragm (brake booster vac. control valve)	2324
Bracket (front brake air chamber)	2306	Diaphragm (brake vacuum booster cylinder)	2394
Bracket (parking brake)	2A687	Diaphragm (vacuum booster control valve)	2391
	2795	Disc (brake vacuum booster control valve)	2308
Bracket (parking brake cable support)	2649	Drum (parking brake)	2614
Bracket (parking brake to transmission case)	2654	Dust shield (rear air brake carrier)	2214-5
Bracket (parking cable)-rear	2530-1	Elbow (brake vacuum booster control valve body)	2328
Bracket (rear air brake camshaft)	2310-1	Elbow (brake vacuum booster tube)	2420
Bracket (rear brake cylinder mounting)	2334	End plate assy. (brake booster)	2329
Bracket (rear brake hose)	2073	Equalizer (parking cable)	2A602
Bumper (pedal to floor board)	7583	Filter (brake booster vacuum control valve intake)	2386
Bushing (brake booster)	2372	Fitting (brake & clutch master cylinder outlet)	2076
Bushing (brake shoe anchor pin)	2028	Gasket (brake & clutch system)	2151-2
Bushing (front air brake camshaft)	2290		2154
Bushing (pedal)	2461	Gasket (brake booster)	2437
	7526	Gasket (brake booster hydraulic cylinder)	2493
Bushing (pedal bracket)	2470	Gasket (brake booster push rod seal retainer)	2412
Bushing (rear air brake camshaft or carrier plate)	2237	Gasket (brake booster vacuum body)	2351
Bushing (rear air brake shoe anchor pin)	2358	Gasket (brake booster vac. control valve body cover)	2479
Bushing (vacuum booster push rod)	2385	Gasket (brake master cylinder filler cap)	2167
Button (parking brake lever)	2791	Gasket (brake system)	2149
Buzzer (low air pressure)	2573	Gasket (brake vacuum booster)	2373
Cable & conduit (parking brake)	2853	Gasket (brake vac. booster check valve body)	2447
Cable assy. (parking brake)-rear	2A635	Gasket (poppet vlv. body to vac. booster body ass'y.)	2382
Cam (parking brake band)	2632	Gasket (vac. booster con. vlv. cap to valve body)	2380
Camshaft (front air brake)	2230-1	Gauge assy. (air pressure)	2557
Camshaft (rear air brake)	2316-7	Grommet (parking brake lever to floor board)	2652
Cap ass'y. (brake booster vacuum control valve)	2326	Hose ass'y. (air compressor oil outlet)	2912
Cap (brake & clutch master cylinder filler)	2162	Hose ass'y. (air compressor to governor)	2903
Chamber assy. (rear brake)-air	2225	Hose assy. (brake)	2078
Clamp & support (brake booster vacuum tank)	2084	Hose ass'y. (compressor oil inlet & outlet)	2922
Clamp ass'y. (brake vacuum booster breather hose)	2342	Hose assy. (rear brake)	2282
Clamp or stud (brake vacuum booster body)	2350	Hose (air compressor tube)-water	2-2917
Cleaner ass'y. (brake vacuum booster air)	2363	Hose (brake vacuum booster)	2336
Clevis (front brake air chamber operating rod)	2099	Hose (brake vacuum booster tube) front	2-2334
Clevis (parking brake cable adjusting)	2854	Hose (brake vacuum booster tube) rear	2-2336
Clevis (parking brake lever adjusting)	2484	Hose (manifold to brake vac. booster check valve)	2-2352
Clevis (parking brake rod)	2854	Housing ass'y. (front air brake camshaft)	2304
Clip (brake cable)	2814	Housing (brake vac. booster center control valve)	2319
Clip (brake hose & pipe)	2814	Kit (brake booster major repair)	2309
Clip (brake pipe)	2244	Kit (brake booster minor repair)	2307
Clip (brake system)	2279	Kit (brake booster piston packing)	2337
Collar (brake vacuum booster push rod)	2440	Kit (brake booster vacuum cylinder packing)	2337
Collar (rear air brake camshaft retaining)	2122	Kit (brake cylinder repair)	2128
Connection (front brake cylinder inlet)	2080		2221-2
Connection (rear brake cylinder inlet)	2277	Kit (brake master cylinder repair)	2004
Connector ass'y. (parking brake lever to cam)	2853	Kit (brake shoe & lining)	2001
Connector (brake pipe to rear axle housing)	2074	Kit (brake shoe lining)	2007
Cover (brake adjusting hole)-steel	2092	Kit (brake vacuum booster poppet valve repair)	2433
Cover (brake booster vacuum control valve body)	2326	Kit (front air brake adjuster bolt repair)	2090
Cover (brake cylinder)	2055	Kit (rear air brake adjuster retaining washer)	2130
Cover (rear brake adjusting hole)	2238	Kit (rear shoe & lining)	2200
Cover (brake & clutch cylinder)	2201-3	Lever ass'y. (parking brake)	2780-1
Primary)	2173	Lever (parking brake operating)	2A637-8
Secondary piston)	2399		
Ring)	2066		
Secondary piston)	2408		



BUY IT NOW!

Click Here To Order



INDEX

SECTIONS 20, 21, 22, 23, 24, 26 and 28 - BRAKE SYSTEM - continued

PART NAME	GROUP NUMBER	PART NAME	GROUP NUMBER
Lining (brake shoe)	2021-22	Retainer & seal (booster vacuum push rod)	2301
Lining (parking brake)	2620	Retainer (brake air booster body piston return spring)	2394
Lining (rear brake shoe)	2284-5 2376	Retainer (brake booster body piston packing)	2394
Link (brake cylinder to shoe)	2042	Retainer (brake booster push rod vac. seal spring)	2431
Link (parking brake operating lever to primary shoe)	2A642	Retainer (brake booster vacuum control valve cap)	2415
Link (parking brake to transmission)	2630	Retainer (brake booster vacuum control valve piston)-"C" washer	2378
Nut (brake adjusting screw)	2047	Retainer (brake vac. booster hyd. cyl. check valve)	2459
Nut (brake air booster body piston packing retainer)	2033	Retainer (brake vac. booster piston return spring)	2431
Nut (brake pipe)	2133	Retainer (front air brake shoe roller to cam)	2046
Nut (parking brake adjusting rod)	2805	Retainer (front brake shoe anchor pin washer)	2127
Nut (rear brake adjusting bolt)	2223	Retainer (parking brake lever boot)	2405 2A714
Pad (brake & clutch pedal)-rubber	2454	Retainer (parking brake operating lever pin)	2106
Pawl (parking brake lever)	2786	Retainer (vac. booster hydraulic cyl. piston spring)	2423
Pedal (air brake)	2454	Ring (booster body to control valve transfer bushing)	2-2421
Pedal (hydraulic brake)	2455	Ring (brake booster end plate)	2373
Pin (brake pedal clevis)	2489	Ring (brake booster hydraulic piston stop)	2409
Pin (brake shoe anchor)	2027	Ring (brake vacuum booster tube to body)	2428
Pin (brake shoe hold down spring)	2069	Rivet (front brake carrier plate to spindle)	2217
Pin (rear air brake shoe to cam roller)	2045	Rod ass'y. (brake master cylinder push)	2143
Pin (rear brake shoe anchor)	2333	Rod ass'y. (brake pedal to air brake foot con. vlv.)	2463
Pipe assy. (check valve to brake vacuum booster)-lower	2362	Rod (brake)	2462
Pipe assy. (check valve to brake vacuum booster)-upper	2349	Rod (brake vacuum booster push)	2377
Pipe (brake booster)	2352	Rod (parking brake band adjusting)	2642
Pipe (brake booster to front tee connection)	2353	Rod (parking brake lever pawl)	2785
Pipe (brake vacuum booster to rear hose)	2265	Rod (parking brake lever to cam)-universal	2826
Pipe (left forward rear brake)	22266	Rod (rear brake cylinder to brake shoe push)	2129
Pipe (left front brake)	2264	Roller (rear air brake shoe anchor pin)	2359
Pipe (left rear brake)	2268	Roller (rear air brake shoe to cam)	2367
Pipe (left rear rear brake)	2268	Screw (bleeder)	2208
Pipe (master cylinder or tube connector to rear)	2265	Screw (brake adjusting)	2041
Pipe (right forward rear brake)	22265	Seal ass'y. (front brake air chamber push rod)	2339
Pipe (right front brake)	2263	Seal (air brake camshaft bracket)	2330
Pipe (right rear brake)	2267	Seal (booster push rod bushing)	2373
Pipe (right rear rear brake)	2267	Seal (booster vacuum control valve piston)	2399
Piston ass'y. (brake booster body)	2395	Seal (brake booster push rod)	2397
Piston ass'y. (brake booster hydraulic cylinder)	2368	Seal (brake booster vacuum push rod)	2384
Piston (brake & clutch cylinder)	2194-8	Seal (brake vac. booster front body to end plate bolt)	2387
Piston (brake & clutch master cylinder)	2169	Seat (front air brake shoe to cam)	2023
Piston (brake booster control valve)	2396	Seat (rear air brake shoe to cam)	2367
Piston (brake vacuum booster body)	2394	Sector (parking brake lever)	2790 2795-6
Piston (brake vac. booster hydraulic cylinder)	2446	Shaft & seal (brake vac. booster center control valve)	2305
Pivot (rear brake shoe anchor pin)	2072	Shaft (brake pedal)	2478
Plate assy. (front brake carrier)	2012-3	Shaft (pedal)	7506
Plate ass'y. (rear brake carrier)	2211-4	Shoe and lining assy. (brake)	2018-9
Plate (brake & clutch master cylinder piston stop)	2188	Shoe & lining ass'y. (rear brake)	2218
Plate (brake shoe anchor pin)	2028 2030	Shoe & lining (rear secondary)	2219
Plate (brake vacuum booster body piston)-front	2429	Sleeve (rear brake adjuster)	2232
Plate (brake vacuum booster piston)	2394		
Plate (rear air brake anchor pin lock)	2343		
(booster hydraulic cylinder end)	2369		
(air compressor)	2884		
body)	2387		



BUY IT NOW!

Click Here To Order



INDEX

SECTIONS 20, 21, 22, 23, 24, 26 and 28 - BRAKE SYSTEM - continued

PART NAME	GROUP NUMBER	PART NAME	GROUP NUMBER
Slinger (front hub oil)	2241	Tube (air brake foot con. vlv. to rear tee or union)-1st section	2916
Snap ring (brake air booster push rod)	2332	Tube (air brake foot con. valve to rear tee)-2nd section	2923
Snap ring (brake & clutch master cylinder piston)	2174	Tube (air brake manifold to pressure gauge)	2930
Socket (brake adjusting screw)	2048	Tube (air brake relay valve to tee)	2269 2-2912
Spacer (front air brake camshaft adjuster)	2138	Tube (air brake stop light switch)	2921
Spacer (parking brake adjusting rod release spring)	2637	Tube (air brake tee to front hose connector)-L.H.	2915
Spacer (parking brake lever or shaft)	2849	Tube (air brake tee to front hose connector)-R.H.	2914
Spacer (rear brake cylinder cup)	2227	Tube (air compressor to reservoir)-at engine	2917
Spacer (vacuum booster control valve spring to disc)	2390	Tube (air compressor to union)	2917
Spider (rear air brake carrier)	2211-3	Tube (air compressor to water pump)	2894
Spring & ret. (brake & clutch master cyl. piston)	2145	Tube (air reservoir connecting)	2918
Spring (booster cylinder piston return)	2-2418	Tube (air reservoir to brake booster)	2-2907
Spring (booster vacuum control valve)	2438	Tube (air reservoir to union)	2904
Spring (brake adjusting screw)	2049	Tube (brake air booster to dash tee)	2570
Spring (brake air chamber diaphragm return)	2321	Tube (brake air booster to tee)	2-2909
Spring (brake booster)	2361	Tube (brake booster to tee)	2A140
	2418	Tube (brake vacuum booster control valve to center control valve)	2-2333
Spring (brake booster con. valve diaphragm return)	2392	Tube (brake vac. booster con. vlv. to hyd. cyl.)	2-2337
Spring (brake cylinder piston return)	2204-5	Tube (brake vac. booster reserve tank to tee)	2348
Spring (brake shoe hold down)	2068	Tube (dash tee or foot control valve to air compressor governor)	2913
Spring (brake shoe retracting)	2035-6 2296-7	Tube (engine to air compressor)-water	2910
Spring (brake vacuum booster check valve)	2439	Tube (engine to compressor water)-compressor end	2-2916
Spring (parking brake adjusting rod release)	2634	Tube (engine to compressor water)-engine end	2977
Spring (parking brake band support)	2640	Tube (forward rear left wheel air brake)	2-2266
Spring (parking brake compression)	2635	Tube (forward rear right wheel air brake)	2-2265
Spring (parking brake lever)	2793	Tube (intake manifold to check valve)	2569
Spring (parking brake lever pawl)	2788	Tube (rear rear left wheel air brake)	2268
Spring (parking link)	2A601	Tube (rear rear right wheel air brake)	2267
Spring (pedal retracting)	2472	Tube (relay valve to rear wheel brake tube conn.)	2-2269
Stem ass'y. (brake booster air con. valve diaphragm)	2323	Tube (reservoir to air brake foot control valve)	2920
Stop (brake vacuum booster control valve piston)	2312	Tube (reservoir to relay valve)	2-2911
Stud (brake vacuum booster body)	2350	Tube (reservoir to tee)	2-2910
Stud (brake carrier plate to air chamber)	2043	Tube (union to reservoir)	2-2202
Stud (parking brake link)	2837	Tube (vac. pump to brake check valve hose)	2-2355
Stud (rear air brake dust shield spacer)	2224	Tubing (copper)	2269
Support (parking brake cable conduit)	2501-2	Tubing (steel)-brake & fuel lines	2269
Support (parking brake cable)	2A664	Valve ass'y. (brake booster vac. check)-on dash	2365
Tube ass'y. (air compressor oil inlet)	2908	Valve ass'y. (brake master cylinder)	2178
Tube ass'y. (air compressor to governor)	2903	Valve (brake vacuum booster check)	2435
Tube ass'y. (brake & fuel line)-steel	2265	Washer (brake air booster control valve diaphragm)	2372
Tube ass'y. (brake booster right tee to left tee)	2266	Washer (brake shoe anchor pin)	2029 2331
Tube ass'y. (brake vacuum booster)	2420	Washer (brake shoe hold down spring)	2066
Tube ass'y. (brake vacuum booster outlet)	2234	Washer (brake vac. booster push rod seal retainer)	2385
Tube ass'y. (master cyl. to front brake connector)	2-2264	Washer (front air brake camshaft thrust)	2236
Tube ass'y. (rear brake cylinder connection)	2286	Washer (front brake shoe anchor pin lock)	2054
Tube ass'y. (tee to forward rear axle brake hose)	2-2239	Washer (front brake shoe retaining pin)	2053
Tube ass'y. (tee to rear rear axle brake hose)	2-2240	Washer (front brake shoe retainer pin)-"C"	2087
Tube (air brake foot control valve to dash tee)	2919	Washer (rear brake adjusting worm thrust)	2424
Tube (air brake foot control valve to front tee)	2897	Worm (rear brake adjusting)	2233



BUY IT NOW!

Click Here To Order



FORD TRUCK PARTS

SECTION 10

YEAR 19__	MODEL	DESCRIPTION	QTY. PER VEHICLE	PART NUMBER
1001 GASKET - REAR WHEEL BEARING RETAINER or REAR AXLE SHAFT				
48/	C	Rear wheel	4	A8AZ 1001-B
48/	JH, T, W	Rear axle shaft-4" I. D. -5.53" O. D.	2	A8TZ 1001-A
48/55	TH, TL, WH		2	
48/55	Y	Rear axle shaft-3.35" I. D. -4.70" O. D.	2	A8TZ 1001-B
48/	D, J		2	
54/	Q, Z (with T/A)	Rear axle shaft-4 1/2" I. D. -5 7/8" O. D.	8	B4TZ 1001-A
54/55	TH, WH (with heavy duty rear axle)		4	
56/	TH, WH		4	
55/	Y	Rear axle shaft-8 holes-3.51" I. D. -4.89" O. D. -	2	B5TZ 1001-A
56/	J with H/D rear axle	4.12" bolt circle	2	
48/	THQ, Q, QW, Z, ZW (except T/A)	Rear axle shaft-8 holes-4.5" I. D. -6.19" O. D.	4	A8TZ 1001-C
56/	#QH with tandem axle		8	
48/	QH, QHW (except T/A)	Rear axle shaft-12 holes-4.5" I. D. -6.12" O. D. -	2	A8TZ 1001-D
54/	QH (with T/A)	5 1/4" bolt circle	4	
53/	QHS, QSW (except T/A)	Rear axle shaft-5 5/8" I. D. -8 1/2" O. D.	2	B3TZ 1001-A

1007 WHEELS - FOR TUBE TIRES

YEAR 19__	MODEL	WHEEL OR RIM PART NUMBER	WHEEL OR RIM SIZE	TIRES		STUDS		DUAL SPOKE WHEEL SPACER
				SIZE	PLY	NO. REQ'D.	CIRCLE DIAMETER	
48/	C	8C 1015	16" x 4.5"	6.00" x 16" 6.00" x 16" 6.50" x 16"	4 6 6	5	5.5"	
53/	C	TAAA 1007-B	15" x 5.5"	6.50" x 15" 6.50" x 15" 7.10" x 15"	6 8	5	5.5"	
53/	C	B4C 1015-A	16" x 5"	6.00" x 16" 6.00" x 16" 6.50" x 16"	4 6 6	5	5.5"	
48/	D	7RD 1015-B	16" x 6"	6.50" x 16" 7.00" x 16" 7.50" x 16"	6 6 6	8	6.5"	
48/	D	8J 1007	16" x 5.5"	7.00" x 16" 7.50" x 16" 7.50" x 16"	6 6 8	8	6.5"	
53/	D	7RY 1007	17" x 5.5"	7.00" x 17" 7.00" x 17" 7.50" x 17"	6 8 8	8	6.5"	
48/52	Y	7RY 1007	17" x 5.5"	7.00" x 17" 7.00" x 17" 7.50" x 17"	6 8 8	8	6.5"	
53/54	Y	TCAA 1007-A	17" x 5.5"	7.00" x 17" 7.00" x 17" 7.50" x 17"	6 8 8	6	7.25"	
55/	Y	B5Y 1007-B	17" x 5.5"	7.00" x 17" 7.00" x 17" 7.50" x 17"	6 8 8	6	7.25"	
53/	Y	Dual TCAA 1007-B	16" x 5.5"	7.00" x 16" 7.50" x 16" 7.50" x 16"	6 6 8	6	7.25"	
48/	J	7RY 1007	17" x 5.5"	7.50" x 17"	8	8	6.5"	
48/	J	8J 1007	16" x 5.5"	7.50" x 16"	8	8	6.5"	
53/54	J	TCAA 1007-A	17" x 5.5"	7.00" x 17" 7.00" x 17" 7.50" x 17"	6 8 8	6	7.25"	
49/	JH	8T 1015-B	18" x 6.5"	8.25" x 18" 9.00" x 18"	10 8	5	8"	
49/	JH	Dual 7RTL 1007	18" x 5"	7.00" x 18"	8	5	8"	
	JH	Dual 7RT 1007-A	20" x 5"	6.50" x 20" 7.00" x 20"	6 6	5	8"	
		8TH 1007-A	20" x 6"	7.50" x 20"	10	5	8"	
		7RT 1007-A	20" x 5"	6.50" x 20"	6	5	8"	
		8TH 1007-A	20" x 6"	7.50" x 20"	8	5	8"	
		8T 1015-B	18" x 6.5"	8.25" x 20"	10	5	8"	

100% SATISFACTION GUARANTEED

BUY IT NOW!

Click Here To Order

1007 WHEELS - FOR TUBE TIRES

YEAR 19____	MODEL	WHEEL OR RIM PART NUMBER	WHEEL OR RIM SIZE	TIRES		STUDS		DUAL SPOKE WHEEL SPACER
				SIZE	PLY	NO. REQ'D.	CIRCLE DIAMETER	
48/54	TH Dual	8TH 1007-A	20" x 6"	7.50" x 20"	8	5	8"	
				7.50" x 20"	10			
				8.25" x 20"	10			
54/	TH Dual	B4Q 1007-A	20" x 6"	7.50" x 20"	8	6	8.75"	
				7.50" x 20"	10			
				8.25" x 20"	10			
54/	TH Dual	B4T 1007-A	20" x 6.5"	8.25" x 20"	10	6	8.75"	
				8.25" x 20"	12			
54/	TH-Rear Only			9.00" x 20"	10			
55	TH Dual	B5T 1007-A	20" x 6.5"	8.25" x 20"		5	8"	
50/52	TH	8T 1015-B	18" x 6.5"	9.00" x 18"		5	8"	
48/52	TL Dual	7RT 1007-A	20" x 5"	6.50" x 20"	6	5	8"	
				7.00" x 20"	6			
48/52	TL Dual	7RTL 1007	18" x 5"	7.00" x 18"	8	5	8"	
50/52	TL	8T 1015-B	18" x 6.5"	9.00" x 18"		5	8"	
48/	W Dual	7RT 1007-A	20" x 5"	6.50" x 20"	6	5	8"	
				7.00" x 20"	6			
48/	W Dual	8TH 1007-A	20" x 6"	7.50" x 20"	8	5	8"	
				7.50" x 20"	10			
				8.25" x 20"	10			
50/52	W	8T 1015-B	18" x 6.5"	9.00" x 18"		5	8"	
48/	WH Dual	8TH 1007-A	20" x 6"	7.50" x 20"	8	5	8"	
				7.50" x 20"	10			
				8.25" x 20"	10			
54/	WH Dual	B4Q 1007-A	20" x 6"	7.50" x 20"	8	6	8.75"	
				7.50" x 20"	10			
				8.25" x 20"	10			
55	WH Dual	B5T 1007-A	20" x 6.5"	8.25" x 20"		5	8"	
54/	WH Dual	B4T 1007-A	20" x 6.5"	8.25" x 20"	10	6	8.75"	
				8.25" x 20"	12			
50/52	WH	8T 1015-B	18" x 6.5"	9.00" x 18"		5	8"	
53	THQ Dual	7EQ 1007-B	20" x 6.5"	8.25" x 20"	10	8	10"	
				9.00" x 20"	10			
53	THQ Dual	8Q 1020	20" x 6.5"	8.25" x 20"	10			4"
				9.00" x 20"	10			4"
53	THQ Dual	B8QH 1020-C	20" x 7"	9.00" x 20"	10			4"
48/	Q(except T/A) Dual	7EQ 1007-B	20" x 6.5"	8.25" x 20"	10	8	10"	
				9.00" x 20"	10			
54/	Q(with T/A) Dual	B4Q 1007-A	20" x 6"	7.50" x 20"	8	6	8.75"	
				8.25" x 20"	10			
50/	Q(except T/A) Dual	8Q 1020	20" x 6.5"	8.25" x 20"	10			4"
				9.00" x 20"	10			
50/	Q(except T/A) Dual	B8QH 1020-C	20" x 7"	9.00" x 20"	10			4"
50/52	Q(with H/D front axle) Front	B8QH 1020-C	20" x 7"	9.00" x 20"	10			
48/	QH(all) Dual	B5QH 1007-B	20" x 7"	9.00" x 20"	10	8	10"	
				10.00" x 20"	12			
55/	QH(all) Dual	B5QH 1007-C	20" x 7"	9.00" x 20"	10	10	11.25"	
				10.00" x 20"	12			
50/	QH(all) Dual	B8QH 1020-C	20" x 7"	9.00" x 20"	10			4"
				10.00" x 20"	12			
				10.00" x 20"	14			
53/	QH(all) Dual	B8QH 1007-B	20" x 7.5"	10.00" x 20"	12	10	11.25"	
				11.00" x 20"	12			
				11.00" x 20"	14			
50/	QH(all) Dual	B8QH 1020-A	20" x 7.5"	10.00" x 20"	12			3.62"
				10.00" x 20"	14			
				11.00" x 20"	12			
				11.00" x 20"	14			
		8Q 1020	20" x 6.5"	8.25" x 20"	10			4"
				9.00" x 20"	10			
		B8QH 1020-C	20" x 7"	9.00" x 20"	10			4"
				10.00" x 20"	12			

used for 20" x 6" rim

100% SATISFACTION GUARANTEED

BUY IT NOW!

Click Here To Order

PayPal American Express Discover MasterCard VISA

1007 WHEELS - FOR TUBE TIRES

YEAR 19__	MODEL		WHEEL OR RIM PART NUMBER	WHEEL OR RIM SIZE	TIRES		STUDS		DUAL SPOKE WHEEL SPACER
					SIZE	PLY	NO. REQ'D.	CIRCLE DIAMETER	
53/	QHS (all)	Dual	B8QH 1020-C	20" x 7"	10.00" x 20"	12			3.62"
53/	QHS (all)	Dual	B8QH 1020-A	20" x 7.5"	10.00" x 20"	12			3.62"
					10.00" x 20"	14			
					11.00" x 20"	12			
					11.00" x 20"	14			
53/	QHS (all)	Dual	B8QH 1020-B	22" x 7.5"	10.00" x 22"	12			3.62"
					11.00" x 22"	12			
53/	QHS (all)	Dual	B8QH 1007-A	22" x 7.5"	10.00" x 22"	12	10	11.25"	
					11.00" x 22"	12			
					11.00" x 22"	14			
53/	QHS (all)	Dual	B8QH 1007-B	20" x 7.5"	10.00" x 20"	12	10	11.25"	
					11.00" x 20"	12			
					11.00" x 20"	14			
53/	QW	Dual	7EQ 1007-B	20" x 6.5"	8.25" x 20"	10	8	10"	
					9.00" x 20"	10			
53/	QW	Dual	8Q 1020	20" x 6.5"	8.25" x 20"	10			4"
					9.00" x 20"	10			
53/	QW	Dual	B8QH 1020-C	20" x 7"	9.00" x 20"	10			4"
53/	QHW	Dual	B8QH 1020-A	20" x 7.5"	10.00" x 20"	14			3.62"
					10.00" x 20"	12			
					11.00" x 20"	14			
					11.00" x 20"	12			
53/	QHW	Dual	B8QH 1020-C	20" x 7"	9.00" x 20"	10			4"
					10.00" x 20"	12			
					10.00" x 20"	14			
53/	QHW	Dual	B5QH 1007-B	20" x 7"	9.00" x 20"	10	8	10"	
					10.00" x 20"	12			
55/	QHW	Dual	B5QH 1007-C	20" x 7"	9.00" x 20"	10	10	11.25"	
					10.00" x 20"	12			
54/	QSW	Dual	B8QH 1020-A	20" x 7.5"	10.00" x 20"	12			3.62"
					10.00" x 20"	14			
					11.00" x 20"	12			
					11.00" x 20"	14			
54/	QSW	Dual	B8QH 1020-C	20" x 7"	10.00" x 20"	12			3.62"
54/	QSW	Dual	B8QH 1020-B	22" x 7.5"	10.00" x 22"	12			3.62"
					11.00" x 22"	12			
54/	QSW	Dual	B8QH 1007-A	22" x 7.5"	10.00" x 22"	12	10	11.25"	
					11.00" x 22"	12			
54/	QSW	Dual	B8QH 1007-B	20" x 7.5"	10.00" x 20"	12	10	11.25"	
					11.00" x 20"	12			
					11.00" x 20"	14			
54/	Z (except T/A)	Dual	7EQ 1007-B	20" x 6.5"	8.25" x 20"	10	8	10"	
					9.00" x 20"	10			
54/	Z (except T/A)	Dual	8Q 1020	20" x 6.5"	8.25" x 20"	10			4"
54/	Z (except T/A)	Dual	B8QH 1020-C	20" x 7"	9.00" x 20"	10			4"
54/	Z (with T/A)	Dual	B4Q 1007-A	20" x 6"	7.50" x 20"	8	6	8.75"	
					8.25" x 20"	10			
54/	ZW	Dual	7EQ 1007-B	20" x 6.5"	8.25" x 20"	10	8	10"	
					9.00" x 20"	10			
54/	ZW	Dual	8Q 1020	20" x 6.5"	8.25" x 20"	10			4"
					9.00" x 20"	10			
54/	ZW	Dual	B8QH 1020-C	20" x 7"	9.00" x 20"	10			4"

YEAR 19__	MODEL	DESCRIPTION	QTY. PER VEHICLE	PART NUMBER
--------------	-------	-------------	---------------------	-------------

1012 NUT - HUB BOLT - FRONT and REAR

C		1/2"-20	20	B 1012
			32	
			32	
		Spare wheel carrier	1or3	
			2	
			2	

100% SATISFACTION GUARANTEED

BUY IT NOW!

Click Here To Order

ALSO USED FOR 20 & 20 1/2 TON

PayPal American Express Discover MasterCard VISA

FORD TRUCK PARTS

SECTION 10

YEAR 12	MODEL	DESCRIPTION	QTY. PER VEHICLE	PART NUMBER
1014 HUB ASSY - FRONT SPOKE WHEEL <i>Also see Spoke Wheel Chart with Group 1109</i>				
50/52	QH	6 spoke-*F20-23G	2	1Q 1014-A
50/55	THQ, Q, Z(except tandem axle)		2	
56	Q, Z		2	
53/56	QH, QW, QHW, ZW (except tandem axle)	6 spoke-*F20-24G	2	TGAA 1014-A
53/56	QHS, QSW	6 spoke-20" diameter-*F20-26G	2	TUAA 1014-A
54/56	QH, #QH(with tandem axle)		2	
53/56	QHS, QSW	6 spoke-22" diameter-*F22-26G	2	TUAA 1014-B
55/56	QH with tandem axle & air brakes	6 spoke-use with B5QH 3010-A front axle-*F20-34-B	2	B5QH 1014-A
56/	Q, QW, Z, ZW	5 spoke-use with 20" & 22.5" rims-*F20-48A	2	B6Q 1014-A
56/	QH, QHW (except tandem axle)	5 spoke-use with 20" & 22" rims-*F20-49A	2	B6Q 1014-B

1015 WHEELS - FOR TUBELESS TIRES

YEAR 12	MODEL	WHEEL OR RIM PART NUMBER	WHEEL OR RIM SIZE	TIRES		STUDS		DUAL SPOKE WHEEL SPACER
				SIZE	PLY	NO. REQ'D.	CIRCLE DIAMETER	
48/	C	8C 1015	16" x 4.5"	6.00" x 16" 6.00" x 16" 6.50" x 16"	6 4 6	5	5.5"	
53/	C	B4C 1015-A	16" x 5"	6.00" x 16" 6.00" x 16" 6.50" x 16"	4 6 6	5	5.5"	
55/	C	B5C 1015-A	15" x 5"	6.70" x 15" 6.70" x 15" 7.10" x 15" 7.10" x 15"	4 6 4 6	5	5.5"	
56/	C	B6C 1015-A	17.5" x 5.25"	7.00" x 17.50"		5	5.5"	
48/	D	7RD 1015-B	16" x 6"	6.50" x 16" 7.00" x 16"	6 6	8	6.5"	
56/	D	B8D 1015-A	17.5" x 5.25"	8.00" x 17.50" 8.00" x 17.50" 7.00" x 17.50"	6 8 6	8	6.5"	
56/	D	B6D 1015-B	19.5" x 5.25"	8.00" x 19.50"	8	8	6.5"	
56/	Y	Dual B6Y 1015-A	17.5" x 5.25"	7.00" x 17.50" 8.00" x 17.50"	6 6	6	7.25"	
56/	Y	B6Y 1015-B	19.5" x 5.25"	8.00" x 19.50"	8	6	7.25"	
56/	Y	B8Y 1015-A	17.5" x 5.25"	8.00" x 17.50" 8.00" x 17.50"	6 8	6	7.25"	
56/	J	B8D 1015-A	17.5" x 5.25"	7.00" x 17.50" 8.00" x 17.50"	6 6	8	6.5"	
56/	J	B6D 1015-B	19.5" x 5.25"	8.00" x 19.50"	8	8	6.5"	
56/	J	Dual B6Y 1015-A	17.5" x 5.25"	7.00" x 17.50" 8.00" x 17.50"	6 6	6	7.25"	
56/	J	B8Y 1015-A	17.5" x 5.25"	8.00" x 17.50" 8.00" x 17.50"	6 8	6	7.25"	
56/	JH	Dual B6J 1015-A	19.5" x 5.25"	8.00" x 19.50"	8	5	8"	
56/	JH-Rear Only	B6J 1015-B	19.5" x 6"	8.00" x 19.50"	8	5	8"	
56/	JH	Dual B7T 1015-A	22.5" x 6"	8.00" x 22.50" 9.00" x 22.50"	8 10	5	8"	
56/	T	Dual B7T 1015-A	22.5" x 6"	8.00" x 22.50" 9.00" x 22.50"	8 10	5	8"	
56/	T	Dual B6T 1015-B	22.5" x 5.25"	7.00" x 22.50" 7.00" x 22.50" 8.00" x 22.50" 8.00" x 22.50"	6 8 8 10	5	8"	
56/	TH	Dual B6T 1015-D	22.5" x 6.75"	9.00" x 22.50" 9.00" x 22.50" 10.00" x 22.50"	10 12 10	6	8.75"	
56/	TH	Dual B7T 1015-B	22.5" x 6"	8.00" x 22.50" 8.00" x 22.50" 9.00" x 22.50"	8 10 10	6	8.75"	
		Dual B7T 1015-A	22.5" x 6"	8.00" x 22.50" 8.00" x 22.50" 9.00" x 22.50"	8 10 10	5	8"	
		Dual B6T 1015-B	22.5" x 5.25"	7.00" x 22.50" 8.00" x 22.50"	8 8	5	8"	

Model Code T-750

BUY IT NOW!
Click Here To Order

PayPal American Express Discover MasterCard VISA

1015 WHEELS - FOR TUBELESS TIRES

YEAR 19__	MODEL	WHEEL OR RIM PART NUMBER	WHEEL OR RIM SIZE	TIRES		STUDS		DUAL SPOKE WHEEL SPACER
				SIZE	PLY	NO. REQ'D	CIRCLE DIAMETER	
56/	WH Dual	B6T 1015-D	22.5" x 6.75"	9.00" x 22.50"	10	6	8.75"	
				9.00" x 22.50"	12			
56/	WH Dual	B7T 1015-B	22.5" x 6"	8.00" x 22.50"	8	6	8.75"	
				8.00" x 22.50"	10			
				9.00" x 22.50"	10			
56/	Q (except T/A) Dual	B6Q 1015-A	22.5" x 6.75"	9.00" x 22.50"	10	8	10"	
				10.00" x 22.50"	10			
56/	Q (except T/A) Dual	B6Q 1020-E	22.5" x 6.75"	9.00" x 22.50"	10			4"
				10.00" x 22.50"	10			
56/	Q (except T/A) Dual	B6Q 1020-F	22.5" x 7.5"	10.00" x 22.50"	10			4"
56/	Q (with T/A) Dual	B7T 1015-B	22.5" x 6"	8.00" x 22.50"	8	6	8.75"	
				8.00" x 22.50"	10			
				9.00" x 22.50"	10			
56/	Q (with T/A) Dual	B6Q 1020-G	22.5" x 6"	8.00" x 22.50"	8			4"
				9.00" x 22.50"	10			
56/	QH (all) Dual	B6QH 1015-A	22.5" x 7.5"	10.00" x 22.50"	10	8	10"	
				11.00" x 22.50"	12			
56/	QH (all) Dual	B6QH 1015-B	22.5" x 7.5"	10.00" x 22.50"	10	10	11.25"	
				11.00" x 22.50"	12			
56/	QH (except T/A) Dual	B6Q 1020-E	22.5" x 6.75"	10.00" x 22.50"	10			4"
56/	QH (all) Dual	B6Q 1020-F	22.5" x 7.5"	10.00" x 22.50"	10			4"
				11.00" x 22.50"	12			
56/	QH (with T/A) Front	B6QH 1015-C	22.5" x 8.25"	12.00" x 22.50"	12	10	11.25"	
56/	QH (with T/A & air brakes)-front Dual	B6QH 1020-C	22.5" x 8.25"	12.00" x 22.50"	12			4"
56/	#QH (with T/A) Dual	B6Q 1015-A	22.5" x 6.75"	9.00" x 22.50"	10	8	10"	
				10.00" x 22.50"				
56/	#QH (with T/A) Dual	B6QH 1015-A	22.5" x 7.5"	11.00" x 22.50"	12	8	10"	
56/	#QH (with T/A) Dual	B6Q 1020-F	22.5" x 7.5"	11.00" x 22.50"	12			4"
56/	QHS (all) Dual	B6QH 1015-B	22.5" x 7.5"	11.00" x 22.50"	12	10	11.25"	
56/	QHS (all) Dual	B6QH 1015-C	22.5" x 8.25"	11.00" x 22.50"	12	10	11.25"	
				12.00" x 22.50"	12			
				12.00" x 22.50"	14			
56/	QHS (except T/A) Dual	B6QH 1015-D	24.5" x 7.5"	11.00" x 24.50"	12	10	11.25"	
53/	QHS (all) Dual	B8QH 1020-B	22" x 7.5"	10.00" x 22.00"	12			3.62"
				11.00" x 22.00"	12			
56/	QHS (all) Dual	B6QH 1020-C	22.5" x 8.25"	11.00" x 22.50"	12			4"
				12.00" x 22.50"	12			
				12.00" x 22.50"	14			
56/	QHS (except T/A) Dual	B6QH 1020-D	24.5" x 7.5"	11.00" x 24.50"	12			4"
56/	QHS (all) Dual	B6QH 1020-E	24.5" x 8.25"	12.00" x 24.50"	12			4"
56/	QHS (all) Dual	B6Q 1020-F	22.5" x 7.5"	11.00" x 22.50"	12			4"
56/	QW Dual	B6Q 1015-A	22.5" x 6.75"	9.00" x 22.50"	10	8	10"	
				10.00" x 22.50"	10			
56/	QW Dual	B6Q 1020-E	22.5" x 6.75"	9.00" x 22.50"	10			4"
				10.00" x 22.50"	10			
56/	QW Dual	B6Q 1020-F	22.5" x 7.5"	10.00" x 22.50"	10			4"
56/	QHW Dual	B6QH 1015-A	22.5" x 7.5"	10.00" x 22.50"	10	8	10"	
				11.00" x 22.50"	12			
56/	QHW Dual	B6QH 1015-B	22.5" x 7.5"	10.00" x 22.50"	10	10	11.25"	
				11.00" x 22.50"	12			
56/	QHW Dual	B6Q 1020-E	22.5" x 6.75"	10.00" x 22.50"	10			4"
56/	QHW Dual	B6Q 1020-F	22.5" x 7.5"	10.00" x 22.50"	10			4"
				11.00" x 22.50"	12			
	QSW Dual	B6QH 1015-B	22.5" x 7.5"	11.00" x 22.50"	12	10	11.25"	
	QSW Dual	B6QH 1015-C	22.5" x 8.25"	11.00" x 22.50"	12	10	11.25"	
				12.00" x 22.50"	12			
				12.00" x 22.50"	14			
		B6QH 1015-D	24.5" x 7.5"	11.00" x 24.50"	12	10	11.25"	
		B6Q 1020-F	22.5" x 7.5"	11.00" x 22.50"	12			4"

100% SATISFACTION GUARANTEED

BUY IT NOW!

Click Here To Order

PayPal American Express Discover MasterCard VISA

1015 WHEELS - FOR TUBELESS TIRES

YEAR 19__	MODEL	WHEEL OR RIM PART NUMBER	WHEEL OR RIM SIZE	TIRES		STUDS		DUAL SPOKE WHEEL SPACER
				SIZE	PLY	NO. REQ'D.	CIRCLE DIAMETER	
56/	QSW Dual	B6QH 1020-C	22.5" x 8.25"	11.00" x 22.50"	12			4"
				12.00" x 22.50"	12			
				12.00" x 22.50"	14			
56/	QSW Dual	B6QH 1020-D	24.5" x 7.5"	11.00" x 24.50"	12			4"
56/	QSW Dual	B6QH 1020-E	24.5" x 8.25"	12.00" x 24.50"	12			4"
56/	Z (all) Dual	B6Q 1015-A	22.5" x 6.75"	9.00" x 22.50"	10	8	10"	
				10.00" x 22.50"	10			
56/	Z (except T/A) Dual	B6Q 1020-E	22.5" x 6.75"	9.00" x 22.50"	10			4"
				10.00" x 22.50"	10			
56/	Z (except T/A) Dual	B6Q 1020-F	22.5" x 7.5"	10.00" x 22.50"	10			4"
56/	Z (all) Dual	B6Q 1020-G	22.5" x 6"	8.00" x 22.50"	8			4"
				8.00" x 22.50"	10			
				9.00" x 22.50"	10			
56/	Z (with T/A) Dual	B7T 1015-B	22.5" x 6"	8.00" x 22.50"	8	6	8.75"	
				8.00" x 22.50"	10			
				9.00" x 22.50"	10			
56/	ZW Dual	B6Q 1015-A	22.5" x 6.75"	9.00" x 22.50"	10	8	10"	
				10.00" x 22.50"	10			
56/	ZW Dual	B6Q 1020-E	22.5" x 6.75"	9.00" x 22.50"	10			4"
56/	ZW Dual	B6Q 1020-F	22.5" x 7.5"	10.00" x 22.50"	10			4"
56/	ZW Dual	B6Q 1020-G	22.5" x 6"	8.00" x 22.50"	8			4"
				8.00" x 22.50"	10			
				9.00" x 22.50"	10			

YEAR 19__	MODEL	DESCRIPTION	QTY. PER VEHICLE	PART NUMBER
--------------	-------	-------------	---------------------	-------------

1020 RIM ASSY. - SPOKE WHEEL - REFER TO WHEEL CHART

1021 RING - WHEEL RIM LOCK

49/55	JH	Use with 8T 1015-B wheel	AR	8T 1021-B
50/52	T, TH	20" x 6"	AR	8T 1021-C
53	THQ		AR	
54/	Z, ZW (except tandem axle)		AR	
50/	THQ, QW, ZW	Spoke wheel-20" x 6 1/2" use with 8Q 1020 rim	AR	8Q 1021
56/	#QH with T/A		AR	
50/	Q, Z (except T/A)		AR	
48/	QH, #QH, QHW	20" x 7"	AR	7EQH 1021-B
50/	THQ, QHS, QW, QSW, ZW		AR	
50/	Q, Z (except T/A)		AR	
50/52	Q, QH (with heavy duty front axle)	Front wheel	2	
53/	QHS, QSW	22" x 7.5" -stamped RB-7361-24-use with B8QH 1020-B rim	AR	TUAA 1021-A

1042-3 CLAMP - SPOKE WHEEL RIM

YEAR 19__	MODEL	DESCRIPTION	QTY. PER VEHICLE	PART NUMBER
50/	THQ, Q, QH, #QH, QHS, QW, QHW, QSW, Z, ZW	Front	100R12	8Q 1042
50/56	THQ, Q, QH, QW, QHW, Z, ZW (except tandem axle)	Rear-use with B8QH 1020-C rim-stamped WP-9	12	8Q 1043-A
			12	
56	QHS, QSW (except T/A)		12	
54/56	QH with tandem axle		24	
56/	Q, QH, QHS, QW, QHW, QSW, Z, ZW (exc. T/A)	Rear-stamped WP-193	10	B6Q 1043-A
56/	QH, #QH, QHS (with T/A)		20	
56/	Q, Z (with tandem axle)	Rear-stamped WP-142	20	B6Q 1043-B
53/55	QHS, QSW	Rear-stamped WP-65	12	TUAA 1043-A
54/55	QH, QHW (except tandem axle)	Use with B8QH 1020-A rim	12	
54/55	QH with tandem axle		24	
56	QSW with tube tires		12	
56/	Q, QH, #QH, QHS, QW, QHW, QSW, Z, ZW	Stud (front clamp to hub)-5/8"-11 & 5/8"-11 x 2 5/8"	10	358671-S8B (WW62)
		Stud (rear clamp to hub)	10	
		Nut-5/8"-11		356085-S8(MM14)
		Stud (rear clamp to hub)-9/16"-12 x 2 1/8"	20	358708-S8B(WW55)
		Nut-9/16"-12		358653-S8B(MM11)



BUY IT NOW!

Click Here To Order



FORD TRUCK PARTS

SECTION 10

YEAR 19	MODEL	DESCRIPTION	QTY. PER VEHICLE	PART NUMBER
1044 SPACER - REAR SPOKE WHEEL RIM				
56/	QHS, QSW (except tandem axle)	20" x 4"-use with dual wheels & 20" x 7" rim	2	8Q 1044-A
56/	Q, #QH, Z(with tandem axle)		4	
50/	THQ, Q, QH, QW, QHW, Z, ZW (except tandem axle)		2	
54/	QH, QHS (with T/A)		4	
53/55	QHS, QSW	20" x 3 5/8"-use with 20" dual wheels	2	TUAA 1044-A
54/55	QH, QHW (except tandem axle)	Use with 20" x 7.5" rim	2	
54/	QH, QHS (with T/A)		4	
56/	QSW	Use with tires with tubes	2	
53/	QHS, QSW, (except T/A)	22 x 3 5/8"-use with 22" dual wheels	2	TUAA 1044-B
56/	QHS (except T/A)	22" x 4"-use with dual wheels	2	B6QH 1044-A
56/	QSW		2	
1099 FLANGE - WHEEL RIM				
53/55	C	15" x 5.50"	AR	7RC 1099
48/	J, Y (1953/ D)	17" x 5.50"	AR	7RY 1099
48/	D, J	16" x 5.50"-use with 8J 1007 wheel	AR	8J 1099
53/	Y	Use with TCAA 1007-B wheel	AR	
49/55	JH	18" x 6.50"-use with 8T 1015-B wheel	AR	8T 1099-B
48/55	T (except 194" wheelbase)TL, W	20" x 5.00"	AR	7RT 1099-A
53/55	JH		AR	
48/	T, TH, W, WH	20" x 6.00"	AR	7RT 1099-B
54/	Q, Z (with tandem axle)		AR	
48/	JH		AR	
48/52	TL	18" x 5.00"-use with 7RTL 1007 wheel	AR	
49/	JH		AR	
50/52	T, TH, TL, W, WH	18" x 7.00"	AR	8T 1099-A
50/52	T, TH	20" x 6.00"	AR	8T 1099-C
53	THQ		AR	
54/	Z, ZW (except tandem axle)		AR	
48/	THQ, Q, QW (except tandem axle)	20" x 6.50"-use with 7EQ 1007-B wheel	AR	7EQ 1099-B
54/	Z, ZW (except T/A)		AR	
54/55	TH, WH(with heavy duty rear axle)	Use with B4T 1007-A & B5T 1007-A wheels	AR	
56/	TH, WH		AR	
50/	THQ, QW, ZW	Spoke wheel-20" x 6.50"-use with 8Q 1020 rim	AR	8Q 1099
50/	Q, Z (except T/A)		AR	
56/	#QH with T/A		AR	
48/	QH, QHW	20" x 7.00"-use with B5QH 1007-B wheel	AR	7EQH 1099
50/52	Q, QH(with heavy duty front axle)	Front spoke wheel	2	
50/	THQ, QH, #QH, QHS, QW, QHW, QSW, ZW	Spoke wheel-use with B8QH 1020-C rim	AR	
50/	Q, Z (except tandem axle)		AR	
		20" x 7.50"	AR	8QH 1099
		22" x 7.50" - stamped RB-8507-5	AR	TUAA 1099-A

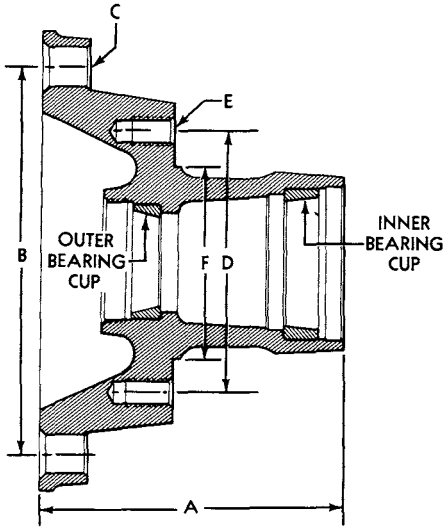


BUY IT NOW!

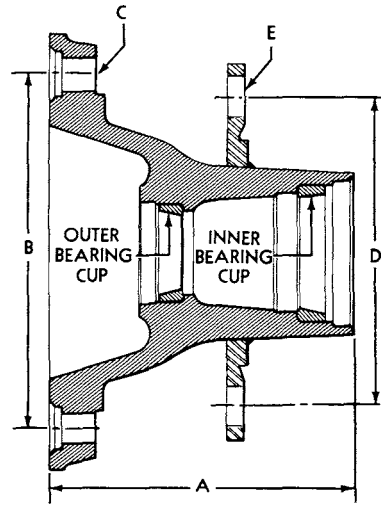
Click Here To Order



FRONT WHEEL and HUB - DISC



SINGLE FLANGE



DUAL FLANGE

P-3657

DUAL FLANGE

PART NUMBER	A LENGTH	B BOLT CIRCLE	C		D DRUM BOLT CIRCLE	E		F SHOULDER DIAMETER	BEARING CUP PART NUMBER	
			HOLES NO.	DIAMETER		DRUM HOLES NO.	DIAMETER		INNER	OUTER
									*STAMPED No.	*STAMPED No.
TCAA 1104-B	6 1/2"	7 1/4"	6	5/8"	6 1/2"	6	41/64"		8J 1202-B *2726	AA 1217-A *1328
B4Q 1104-A	6 15/16"	8 3/4"	6	7/8"	8"	5	17/32"		9N 4222 *3720	7EQ 1217 *2720
B5Q 1104-A	6 15/16"	10"	8	7/8"	8"	5	17/32"		TGAA 1202-A *45220	7EQ 1217 *2720
TUAA 1104-A	7 1/8"	11 1/4"	10	63/64"	8"	5	1/2"-13		7EQH 1239 *39520	81T 1202 *3525
B5QH 1104-C	7 1/4"	10"	8	7/8"	8"	5	17/32"		7EQH 1239 *39520	81T 1202 *3525
B5Q 1104-B	7 5/16"	10"	8	7/8"	8"	5	33/64"		9N 4222 *3720	7EQ 1217 *2720
B5QH 1104-A	7 1/2"	11 1/4"	10	63/64"	8"	5	17/32"		TGAA 1202-A *45220	7EQ 1217 *2720
B5QH 1104-B	8 5/16"	11 1/4"	10	63/64"	9"	5	17/32"		B5QH 1202-B *553X	9N 4222 *3720

SINGLE FLANGE

B3C 1104-A	4 9/16"	5 1/2"	5	39/64"				3 5/32"	01Y 1202 *14276	8A 1217-A *09195
TBAA 1104-A	4 9/16"	6 1/2"	8	39/64"	6 1/2"	3	3/8"-16	4 3/4"	01Y 1202 *14276	8A 1217-A *09195
TRAA 1104-A	4 9/16"	6 1/2"	8	39/64"	6 1/2"	3	3/8"-16	4 3/4"	8J 1202-B *2726	AA 1217-A *1328
B5Y 1104-A	4 9/16"	7 1/4"	6	5/8"	7 1/4"	3	3/8"-16		8J 1202-B *2726	AA 1217-A *1328
8J 1104-A	4 5/8"	6 1/2"	8	39/64"	6 1/2"	3	3/8"-16	4 13/16"	8J 1202-B *2726	AA 1217-A *1328
8C 1104-A	4 3/4"	5 1/2"	5	39/64"				2 7/8"	01Y 1202 *14276	8A 1217-A *09195
T 1104-B	6 7/16"	8"	5	7/8"	5"	5	1/2"-20	3 15/16"	B6T 1202-A *25522	B 1202 *15250
			5	7/8"	5 1/2"	5	5/8"-18	3 15/16"	B6T 1202-A *25522	B 1202 *15250
			6	7/8"	5 1/2"	5	5/8"-18	3 15/16"	B6T 1202-A *25522	B 1202 *15250



BUY IT NOW!

Click Here To Order



YEAR 19__	MODEL	DESCRIPTION	QTY. PER VEHICLE	PART NUMBER
1104 HUB ASSEMBLY - FRONT				
48/52	C		2	8C 1104-A
53/56	C		2	B3C 1104-A
53/56	D		2	TBAA 1104-A
48/52	J		2	8J 1104-A
53/56	J		2	TRAA 1104-A
55/56	Y with single rear wheels		2	B5Y 1104-A
53/54	Y		2	TCAA 1104-B
56	J with dual rear wheels		2	
55/56	Y with dual rear wheels		2	
48/52	JH, T, TH, TL, W, WH		2	8T 1104-B
53/55	JH, T, TH, W, WH		2	TDAA 1104-C
56	JH, T, W		2	
54/55	TH, WH(with heavy duty rear axle)		2	B4T 1104-B
56	TH, WH		2	
54/56	Q, Z(with tandem axle)	6 stud	2	B4Q 1104-A
53/	QHS, QSW (except T/A)	10 stud-9M axle-11 1/4" stud circle	2	TUAA 1104-A
55/	QH with tandem axle		2	
53/	THQ, QH, QW, QHW, ZW (except tandem axle)	8 stud	2	B5Q 1104-A
48/52	QH	8 stud	2	B5Q 1104-B
48/53	Q		2	
54/	Q, Z (except tandem axle)		2	
55/	QH (except T/A), QHW	10 stud-7M axle	2	B5QH 1104-A
55/	QH with tandem axle & air brakes	10 stud-11M front axle	2	B5QH 1104-B
55/	QHS, QSW (with air brakes)		2	
54/	QH, #QH(with tandem axle)	8 stud-use with 20" x 7" disc wheels	2	B5QH 1104-C
50/52	Q, QH(with heavy duty front axle)		2	
1107-8 BOLT - HUB				
48/52	JH, T, TH, TL, W, WH	Front & rear-R. H. threads-3/4"-16 x 2 1/4"	10	51 1107
53/55	JH, T, TH, W, WH	Front	5	
56/	JH, T, W	Front	5	
56/	TH, WH	Front	6	
54/	Q, Z (with tandem axle)	Front	6	
50/52	Q, QH(with heavy duty front axle)	Front	8	
54/55	QH with tandem axle	Front	8	
56	QH	Front	8	
48/	C	Front & rear-1/2"-20 x 1 1/2"-serration diameter .618"/.628"	20	A9AZ 1107-A
48/	C	Spring nut (hub bolt)-1/2"	AR	356080-S32(MM270)
48/	D, J	Front & rear-1/2"-20 x 1 3/4"	32	8D 1107-A
48/52	Y	Front & rear	32	
51/52	J	Rear	16	
48/51	D, Y(with 8J 1125)	Front-1/2"-20 x 1 11/16"-two serrations on shoulder	16	8D 1107-C
48/51	J	Front & rear	32	
51/52	J	Front	16	
53/54	Y	Front & rear-R. H. thread-5/8"-18 x 2 1/8"	12	TCAA 1107-A
55/	Y with dual rear wheels	Front	6	
56/	J (with dual rear wheels)	Front	6	
55/	Y (with single rear wheels)	Front-R. H. thread-5/8"-18 x 1 3/4"	12	B5Y 1107-A
48/52	JH, T, TH, TL, W, WH	Front & rear-L. H. thread-3/4"-16 x 2 1/4"	10	51 1108
53/55	JH, T, TH, W, WH	Front	5	
56/	JH, T, W	Front	5	
56/	TH, WH	Front	6	
54/	Q, Z (with tandem axle)	Front	6	
50/52	Q, QH(with heavy duty front axle)		8	
54/55	QH with tandem axle		8	
52/54	Y	Front & rear-L. H. thread-5/8"-18 x 2 1/8"	12	TCAA 1108-A
	Y with dual rear wheels	Front	6	
	Y (with dual rear wheels)	Front	6	
1109 HUB PULL				
		7/16"-14 x 1 1/8" long-use without hub cap	4	*01T 1109

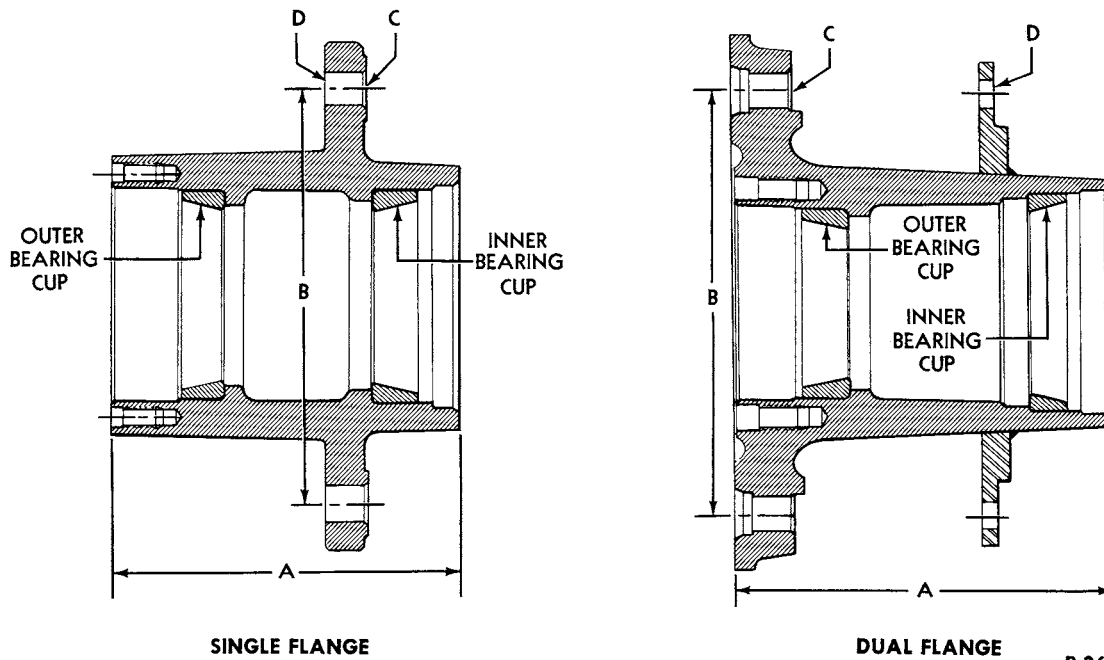


BUY IT NOW!

Click Here To Order



REAR HUB - DISC WHEEL



P-3658

SINGLE FLANGE

PART NUMBER	A		B		C		D		BEARING CUPS			
	Length	Bolt Circle	BOLT HOLES		BOLT HOLES		INNER		OUTER			
			No.	Diameter	No.	Diameter	Part Number	Stamped No.	Part Number	Stamped No.		
★⊕8Y 1109-A	5 3/4"	6 1/2"	8	39/64"	3	3/8"-16	B6J	1243-A	362-A	61	1239	354-A
B4J 1109-A	5 63/64"	6 1/2"	8	39/64"	3	3/8"-16	B6J	1243-A	362-A	61	1239	354-A
B1D 1109-A	5 63/64"	6 1/2"	8	39/64"	3	3/8"-16	91D	1243	18720	91D	1243	18720
★8D 1109-A	6"	6 1/2"	8	39/64"	3	3/8"-16	91D	1243	18720	91D	1239	18620
B6Y 1109-A	6 7/16"	7 1/4"	6	5/8"			TCAA	1243-A	382-A	B6J	1243-A	362-A
TCAA 1109-B	6 7/16"	7 1/4"	6	5/8"			TCAA	1243-A	382-A	TCAA	1239-A	2924
8T 1109-B	6 25/32"	8"	5	7/8"	3	1/2"-13	B6T	1243-A	3920	BB	1239-A	453-X
TEAA 1109-B	7"	8"	5	25/32"	3	1/2"-13	B6T	1243-A	3920	BB	1239-A	453-X
C0TT 1109-A	7 29/64"	8 3/4"	6	25/32"	3	1/2"-13	B4Q	1243-A	33462	B6T	1243-A	3920
B5Q 1109-A	7 1/2"	10"	8	25/32"	4	1/2"-13	B6Q	1243-A	493	B6T	1243-A	3920
B3QH 1109-A	8 13/16"	11 1/4"	10	25/32"			TUAA	1243-A	592-A	TUAA	1239-A	572
7EQH 1109-B	9 5/8"	10"	8	25/32"	4	1/2"-13	7EQH	1243	47620	7EQH	1239	39520
7EQH 1109-A	9 5/8"	11 1/4"	10	25/32"	5	1/2"-13	7EQH	1243	47620	7EQH	1239	39520

DUAL FLANGE

6	5/8"	6	5/8"	TCAA	1243-A	382-A	TCAA	1239-A	2924
---	------	---	------	------	--------	-------	------	--------	------

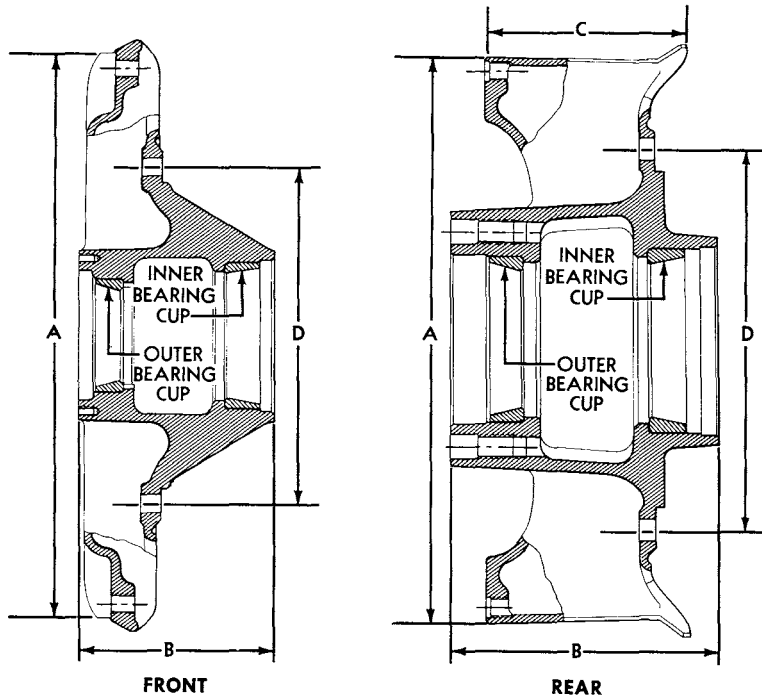


BUY IT NOW!

Click Here To Order



FRONT and REAR HUB - SPOKE



P-3659

FRONT HUB - SPOKE

PART NUMBER	NUMBER SPOKES	A Diameter	B Length	C Rim Width	D Bolt Circle	BEARING CUPS			
						INNER		OUTER	
						Part Number	Stamped No.	Part Number	Stamped No.
B6Q 1014-B	5	19 3/8"	5 3/8"		11"	TGAA 1202-A	45220	7EQ 1217	2720
B6Q 1014-A	5	19 3/8"	5 1/2"		11"	9N 4222	3720	7EQ 1217	2720
TGAA 1014-A	6	19 3/8"	5 3/8"		11"	TGAA 1202-A	45220	7EQ 1217	2720
1Q 1014-A	6	19 3/8"	5 1/2"		11"	9N 4222	3720	7EQ 1217	2720
TUAA 1014-A	6	19 3/8"	6 3/64"		11"	7EQH 1239	39520	81T 1202	3525
TUAA 1014-B	6	21 3/8"	6 3/64"		11"	7EQH 1239	39520	81T 1202	3525
B5QH 1014-A	6	19 3/8"	7"		11"	B5QH 1202-B	553-X	9N 4222	3720

REAR HUB - SPOKE

B6Q 1109-A	5	18 35/64"	7 13/32"	6 3/4"	12 1/2"	B6Q 1243-A	493	B6T 1243-A	3920
B6Q 1109-B	5	18 35/64"	7 29/64"	6 3/4"	12 1/2"	B4Q 1243-A	33462	B6T 1243-A	3920
B6QH 1109-A	5	19 3/8"	9 5/8"	6 3/4"	12 1/2"	7EQH 1243	47620	7EQH 1239	39520
8Q 1109	6	18 35/64"	7 13/32"	7 3/32"	12 1/2"	B6Q 1243-A	493	B6T 1243-A	3920
TUAA 1109-A	6	18 35/64"	8 13/16"	7 3/32"	12 1/2"	TUAA 1243-A	592-A	TUAA 1239-A	572
TUAA 1109-D	6	20 1/2"	8 13/16"	7 3/32"	12 1/2"	TUAA 1243-A	592-A	TUAA 1239-A	572
8QH 1109	6	19 3/8"	9 5/8"	7 3/32"	12 1/2"	7EQH 1243	47620	7EQH 1239	39520
C3TZ 1109-E	5	18 9/16"	9 7/16"	6 9/16"	12 1/2"	7EQH 1243	47620	7EQH 1239	39520

YEAR	MODEL	DESCRIPTION	QTY. PER VEHICLE	PART NUMBER
1109 HUB ASSY. - REAR				
48/51	D	Use with 8D 1126-A Drum	2	8D 1109-A
51/55	D	Use with TBAA 1126-A Drum	2	B1D 1109-A
51/53	J		2	
51/52	Y		2	
56/	D		2	
48/51	Y	Use with 8Y 1126 Drum	2	8Y 1109-A
53/55	Y with dual wheels	Use with TCAA 1239-A Cup	2	TCAA 1109-B
53/55	Y with single wheel		2	TCAA 1109-C
	J		2	B4J 1109-A
	J, Y	Use with B6J 1243-A Cup	2	B6Y 1109-A
		R. H. -use with 7RT 1126-A	2	8T 1109-B
			2	TEAA 1109-B
			4	



BUY IT NOW!

Click Here To Order



YEAR	MODEL	DESCRIPTION	QTY. PER VEHICLE	PART NUMBER
1109 HUB ASSY. - REAR - continued				
48/53	THQ, Q, QW	R. H. -use with 7EQ 1126-B & 8Q 1126-A-	1	B5Q 1109-A
54/	Q, QW, Z, ZW (except tandem axle)	8 stud	2	
56/	#QH with tandem axle		4	
49/52	Q	L. H.	1	
50/56	THQ, Q, QW, Z, ZW (except tandem axle)	6 spoke-use with TFAA 1126-A-*20R122H	2	8Q 1109
56	#QH with T/A		4	
56/	Q, QW, Z, ZW (except tandem axle)	5 spoke-use with 20" rim & 352759-S-1/2" studs	2	B6Q 1109-A
56/	#QH with tandem axle	-16M axle-*R20-59A	4	
56/	Q, Z (with T/A)	5 spoke-use with 20" rim & 358704-S-7/16" studs	4	B6Q 1109-B
		-15M axle-15" x 4 1/2" brakes-*R20-58A		
48/	QH, QHW (except tandem axle)	Use with 8 stud disc wheel-inner bearing	2	7EQH 1109-B
54/	QH with tandem axle	5 1/4" O. D.	4	
50/56	QH, QHW (except tandem axle)	6 spoke-use with TGAA 1126-A, B6QH 1126-B &	2	8QH 1109
54/56	QH with tandem axle	D-*20R101H	4	
55/	QH, QHW (except tandem axle)	Use with 20" disc wheel-10 stud	2	B5QH 1109-A
55/	QH with tandem axle		4	
56/	QH, QHW (except tandem axle)	5 spoke-use with 20" rim-*R20-60A-16" x 5"	2	B6QH 1109-A
56/	QH with tandem axle		4	
53/	QHS, QSW	20"-6 spoke-*20R133H	2	TUAA 1109-A
53/	QHS, QSW	22"-6 spoke-*22R133H	2	TUAA 1109-D
53/	QHS, QSW (except T/A)	Use with 20" or 22" disc wheels	2	B3QH 1109-A
54/	TH, WH (with 15" x 4" or 4 1/2" brakes)-	6 bolt holes 8 3/4" circle dia. -8 studs 5 1/8"	2	C0TT 1109-A
	(15M axle)	circle dia. -inner bearing 4 5/8" O. D.		
54/56	Q, Z(with tandem axle)		4	
56/	QH, QHW (except T/A)	5 spoke-18M rear axle-for 20" rim-stamped	2	C3TZ 1109-E
56/	QH(T/A)	R8596	4	
53	TH	Stud(axle shaft to hub)-1/2"-13 & 1/2"-20 x 2 5/8"	16	352759-S(WW53)
48/	THQ, Q, QW, Z, ZW, N700/750 (except T/A)		16	
48/	QH, QHW (except tandem axle)		24	
54/55	QH with tandem axle & hydraulic brakes		32	
54/55	QH with tandem axle & air brakes		48	
56/	QH with tandem axle		48	
56/	#QH with tandem axle		32	
		Nut-1/2" - 20		33846-S8(M69)
		Lockwasher - 1/2"		34809-S8(X68)
48/	D, J, JH, Y, T, TH, W, WH	Stud(axle shaft to hub)-7/16"-14 x 7/16"-20 x 2"	16	372430-S100(WW44)
54/56	Q, Z(with tandem axle)		32	
56/	Q, Z(with tandem axle)	Stud(axle shaft to hub)-7/16"-14 & 7/16"-20 x 2 3/16"	32	358704-S(WW45)
		with 15" x 4" & 4 1/2 brakes		
		Nut-7/16"-20		351025-S7(MM23)
		Lockwasher-7/16"		34808-S8(X67)
53/	QHS (except T/A), QSW	Stud(axle shaft to hub)-3/4"-10 & 3/4"-16 x 3/4"	16	352480-AS(WW69)
		Nut-3/4"-16		34675-S8(M75)
		Lockwasher-3/4"		34853-S7(X77)
48/52	JH, T, TH, TL, W, WH	Plug (rear hub pipe)-1/8"	2	87708-S(P14)
1118 BOLT - HUB - R.H. THREAD				
53/	Y	Right rear-5/8"-18 x 2 29/64"	6	B9TT 1118-A
53/	JH, T, W	Right rear-3/4"-16 x 2 3/8"-shoulder diameter	5	TDAA 1118-A
56/	TH, WH	.783"/.786"	6	
53/55	TH, WH		5	
54/	Q, Z(with tandem axle)		12	
53/	QHS (except T/A), QSW	Right rear-3/4"-16 x 3 27/32"	10	TUAA 1118-A
56	Q, QW, Z, ZW (except tandem axle & School Bus)-with air brakes	Right rear-3/4"-16 x 2 5/8"	8	B6Q 1118-A
56	#QH with tandem axle & air brakes		16	
48/	THQ, Q, QW, Z, ZW (except tandem axle)	Right front-3/4"-16 x 2 3/8"-shoulder diameter	8	7EQ 1118
	QH, #QH, QHW	.974"/.975"	8or10	
	QHS, QSW		10	
		Right rear	8	
		Right rear-3/4"-16 x 2 7/8"-serration diam.	8or10	7EQH 1118
		.810"/.820"	16or20	

100% SATISFACTION GUARANTEED

BUY IT NOW!

Click Here To Order

PayPal, American Express, Discover, MasterCard, VISA

number inside of spoke

FORD TRUCK PARTS

SECTION 11

YEAR 19__	MODEL	DESCRIPTION	QTY. PER VEHICLE	PART NUMBER
1119 BOLT - HUB - L.H. THREAD				
53/	Y	Left rear-5/8"-18 x 2 29/64"	6	B9TT 1119-A
53/	JH, T, W	Left rear-3/4"-16 x 2 3/8"-shoulder diameter	5	TDAA 1119-A
53/55	TH, WH	.783"/.786"	5	
56/	TH, WH		6	
54/	Q, Z(with tandem axle)		12	
48/	THQ, Q, QW, Z, ZW (except tandem axle)	Left front-3/4"-16 x 2 3/8"-shoulder diameter	8	7EQ 1119
48/	QH, #QH, QHW	.974"/.975"	8or10	
53/	QHS, QSW		10	
48/	THQ, Q, QW, Z, ZW(except tandem axle)	Left rear	8	
48/	QH, QHW (except tandem axle)	Left rear-3/4"-16 x 2 7/8" -serration diam.	8or10	7EQH 1119
54/	QH with tandem axle	.810"/.820"	16or20	
54/	QHS (except T/A), QSW	Left rear-3/4"-16 x 3 27/32"	10	TUAA 1119-A
56	Q, QW, Z, ZW (except tandem axle & School Bus)-with air brakes	Left rear-3/4"-16 x 2 5/8"	8	B6Q 1119-A
56	#QH with tandem axle & air brakes		16	
1120-1 NUT - WHEEL				
48/52	JH, TL	Front-R. H. thread-3/4"-16	5	BB 1120
48/52	JH, TL	Single rear wheel	5	
53/	JH	Front & rear	10	
48/55	T, TH, W, WH	Front & rear	10	
56/	T, W	Front & rear	10	
56/	TH	Front & rear	AR	
56/	WH	Front & rear	AR	
48/	THQ, Q, QH, #QH, QHS, QW, QHW, QSW, Z, ZW	Front & rear	AR	
48/	JH, T, TL, W	Spare wheel carrier	2	
48/	THQ, Q, QH, #QH, QHS, QW, QHW, QSW, Z, ZW	Spare wheel carrier	2	
56/	WH	Spare wheel carrier	2	
50/52	Q, QH with heavy duty front axle	Front wheel-5/8"-11	12	356085-S8(MM14)
53/54	Y	Front & rear-R. H. thread-5/8"-18	12	TCAA 1120-A
55/	Y with single rear wheels	Front	12	
55/	Y with single rear wheels	Right rear	6	
55/	Y with dual rear wheels	Front & rear	12	
56	J (with dual rear wheels)	Front & rear	12	
53/	Y	Spare wheel carrier	2	
48/52	JH, TL	Front-L. H. thread-3/4"-16	5	BB 1121
48/55	T, TH, W, WH	Front & rear	10	
53/	JH	Front & rear	10	
48/52	JH, TL	Single rear wheel	5	
56/	T, W	Front & rear	10	
56/	TH, WH	Front & rear	AR	
48/	THQ, Q, QH, #QH, QHS, QW, QHW, QSW, Z, ZW	Front & rear	AR	
55/	Y with single rear wheels	Left rear-L. H. thread-5/8"-18	6	TCAA 1121-A
53/54	Y	Front & rear	12	
55/	Y with dual rear wheels	Front & rear	12	
56/	J (with dual rear wheels)	Front & rear	12	
1124 WASHER - REAR WHEEL BEARING NUT LOCK				
48/55	Y	2.76" O. D.	2	61 1124
48/	D, J		2	
55/	Y	2.94" O. D.	2	B6Y 1124-A
56/	J with heavy duty rear axle		2	
48/	JH, T, W	3.38" O. D.	2	01T 1124
48/55	TH, TL, WH		2	
54/55	TH, WH(with heavy duty rear axle)	3.88" O. D.	2	B4T 1124-A
56/	TH, WH		2	
	Q, Z(with tandem axle)		4	
	QH, QHW (except tandem axle)	4" O. D.	2	7EQH 1124
			4	
		4 1/2" O. D.	2	TUAA 1124-A
		3.5" O. D.	2	7EQ 1124
			4	



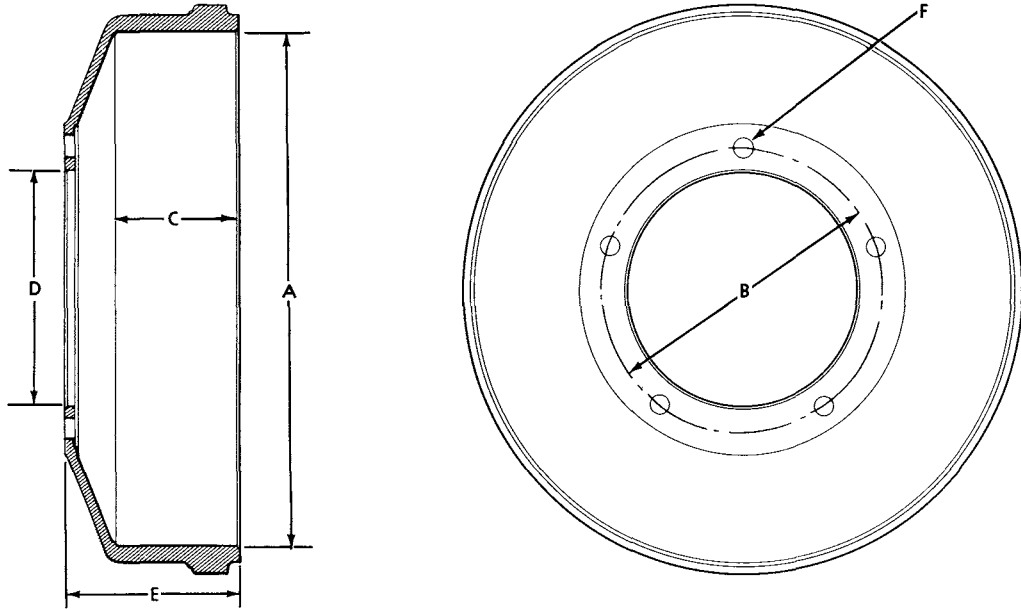
BUY IT NOW!

Click Here To Order



* Model Code L-121

FRONT and REAR DRUM



P-3660

FRONT DRUM - SPOKE WHEEL

PART NUMBER	No. Spokes	A Drum Inside Diameter	B Drum Bolt Circle	C Brake Surface Width	D Mounting Diameter	E Overall Depth	F DRUM MOUNTING HOLES			
							No.	Diameter	No.	Diameter
							B6Q 1125-A	5	16"	11"
8Q 1125	6	16"	11"	2 3/4"	12 1/4"	4 27/32"				
TUAA 1125-A	6	16"	11"	2 13/16"	12 1/4"	4 3/16"				

REAR DRUM - SPOKE WHEEL

B6Q 1126-C	5	15"	12 1/2"	4 1/2"	11"	5 37/64"	5	17/32"		
TFAA 1126-A	6	15"	12 1/2"	5 1/2"	11"	6 7/32"	6	21/32"		
B6Q 1126-A	5	15"	12 1/2"	5 1/2"	11"	6 7/32"	5	21/32"		
B6QH 1126-G	5	16"	12 1/2"	5 5/8"	11"	7 1/16"	5	21/32"		
TGAA 1126-A	6	16"	12 1/2"	5 5/8"	11"	7 1/16"	6	21/32"		
TUAA 1126-A	6	16"	12 1/2"	6 17/32"	11"	9 3/4"	6	21/32"		
B6Q 1126-D	5	16 1/2"	12 1/2"	5 1/16"	11"	6 1/32"	5	21/32"		
B6QH 1126-D	6	16 1/2"	12 1/2"	5 31/32"	11"	6 15/16"	6	21/32"		
B6QH 1126-F	5	16 1/2"	12 1/2"	5 31/32"	11"	6 15/16"	5	21/32"		
B6QH 1126-A	6	16 1/2"	12 1/2"	6 19/32"	11"	9 1/2"	6	21/32"		
B7TZ 1126-A	5	16 1/2"	12 1/2"	6 19/32"	11"	7 15/64"	5	4 1/64"		

FRONT DRUM - DISC WHEEL

8C 1125-A		11"	5 1/2"	2 1/4"	2 7/8"	3 15/32"	5	5/8"	5	1/2"
A8TZ 1125-A		11"	5 1/2"	2 1/4"	3 5/32"	3 3/64"	5	5/8"	5	1/2"
8D 1125-A		12"	6 1/2"	2"	4 3/4"	3 15/32"	8	5/8"	3	41/64"
1D 1125-B		12"	6 1/2"	2 13/32"	4 3/4"	3 17/64"	8	5/8"		
B5D 1125-A		12"	6 1/2"	2 1/2"	4 3/4"	3 1/16"	8	5/8"	3	41/64"
B5Y 1125-A		12"	7 1/4"	2 1/2"	4 3/4"	3 1/16"	8	5/8"	3	41/64"
B6D 1125-A		12 1/8"	6 1/2"	2 13/32"	4 3/4"	3 1/16"	8	5/8"	3	41/64"
B6Y 1125-A		12 1/8"	7 1/4"	2 13/32"	4 3/4"	3 1/16"	8	5/8"	3	41/64"
B5T 1125-A		13"	5 1/2"	2 13/32"	3 15/16"	4 1/4"	5	5/8"		
B4T 1125-A		13"	5 1/2"	2 13/32"	3 15/16"	4 1/4"	6	5/8"		
1125		13 1/8"	6 1/2"	2 11/32"	4 13/16"	3"	8	5/8"	3	13/32"
			5 1/4"	2 7/32"	3 15/16"	3 7/8"	5	1/2"		
			8"	2 21/32"	6 1/4"	4 13/32"	5	17/32"		
			8"	2 39/64"	6 1/4"	5 17/32"	5	33/64"		
			9"	3"	7 1/2"	5 17/32"	5	33/64"		

100% SATISFACTION GUARANTEED

BUY IT NOW!

Click Here To Order

REAR DRUM - DISC WHEEL

PART NUMBER	A	B	C	D	E	F			
	Drum Inside Diameter	Drum Bolt Circle	Brake Surface Width	Mounting Diameter	Overall Depth	DRUM MOUNTING HOLES			
						No.	Diameter	No.	Diameter
ΔA8TZ 1126-A	11"	5 1/2"	2"	2 7/8"	2 25/32"	5	5/8"	3	11/32"
‡8D 1126-A	12"	6 1/2"	2"	4 3/4"	4 3/8"	8	5/8"	3	41/64"
TBAA 1126-A	12"	6 1/2"	2 13/32"	4 3/4"	3 13/16"	8	5/8"	3	41/64"
B6D 1126-A	12 1/8"	6 1/2"	2 13/32"	4 3/4"	3 13/16"	8	5/8"	3	41/64"
C2TZ 1126-D	13"	7 1/4"	3 1/16"	6 13/64"	6 13/16"	6	5/8"		
8J 1126	13 1/8"	6 1/2"	2 11/32"	4 13/16"	4 3/16"	8	5/8"	3	13/32"
8Y 1126	14"	6 1/2"	2 15/32"	4 13/16"	3 21/32"	8	39/64"	3	41/64"
TDAA 1126-A	14 1/8"	8"	4"	5 5/8"	7 3/16"	5	13/16"	3	11/16"
7RT 1126-A	15"	8"	3 59/64"	5 5/8"	7 7/16"	5	29/32"	3	11/16"
TEAA 1126-A	15"	8"	4 1/2"	5 5/8"	7 7/16"	5	13/16"	3	11/16"
B9TT 1126-B	15"	8 3/4"	4 1/2"	6 1/16"	7 7/16"	6	13/16"	3	11/16"
8Q 1126-A	15"	10"	5 1/2"	7 25/32"	8 1/8"	8	1 1/32"	4	11/16"
7EQH 1126	16"	10"	5 5/8"	7 1/8"	8 15/16"	8	13/16"	4	17/32"
B5QH 1126-B	16"	11 1/4"	5 5/8"	8 3/4"	8 7/8"	10	13/16"	5	17/32"
TUAA 1126-B	16"	11 1/4"	6 5/8"	9 3/8"	10 1/4"	10	13/16"		
*7EQ 1126-B	16 1/4"	10"	3 31/32"	7 25/32"	6 19/32"	8	1 1/32"	4	11/16"
B6Q 1126-B	16 1/2"	10"	5 1/16"	7 25/32"	8 1/4"	8	13/16"	4	17/32"
B6QH 1126-B	16 1/2"	10"	6 1/32"	7 1/8"	8 13/16"	8	13/16"	4	17/32"
B6QH 1126-E	16 1/2"	11 1/4"	6 3/32"	8 3/4"	8 3/4"	10	13/16"	5	17/32"
B6QH 1126-C	16 1/2"	11 1/4"	6 1/2"	9 3/8"	9 7/8"	10	13/16"		

YEAR 19	MODEL	WHEEL		BRAKE		BOLT		INSIDE DIAMETER	BRAKE SURFACE WIDTH	QTY. PER VEHICLE	PART NUMBER
		DISC	SPOKE	HYD.	AIR	NO. REQ'D	CIRCLE DIAMETER				

1125 DRUM - FRONT BRAKE

48/52	C					5	5.50"	11.00"	2.28"	2	8C 1125-A
53/	C					5	5.50"	11.00"	2.28"	2	A8TZ 1125-A
48/51	D, Y					8	6.50"	12.00"	2.00"	2	8D 1125-A
51/52	D, Y					8	6.50"	12.00"	2.40"	2	1D 1125-B
53/55	D, J					8	6.50"	12.00"	2.51"	2	B5D 1125-A
53/54	Y									2	
55	Y with dual rear wheels									2	
55	Y with single rear wheels					6	7.25"	12.00"	2.51"	2	B5Y 1125-A
56/	D, J					8	6.50"	12.125"	2.51"	2	B6D 1125-A
56/	Y (with dual rear wheels)									2	
56/	J, Y					6	7.25"	12.125"	2.51"	2	B6Y 1125-A
53/	JH, T, W					5	5.50"	13.00"	2.69"	2	B5T 1125-A
53/55	TH, WH									2	
54/55	TH, WH (with heavy duty rear axle)					6	5.50"	13.00"	2.78"	2	B4T 1125-A
56/	TH, WH									2	
48/52	J (1948/51 D, Y)					8	6.50"	13.125"	2.34"	2	8J 1125
48/52	JH, T, TH, TL, W, WH					5	5.25"	14.00"	2.32"	2	7RT 1125-D
56/	Q, QW, Z, ZW	*2279				5	11.00"	16.00"	3.125"	2	B6Q 1125-A
56	QH (except T/A)									2	
48/56	THQ, Q, QW, Z, ZW					5	8.00"	16.00"	2.88"	2	B7Q 1125-B
48/	QHS, QHW (except T/A)									2	
54/	QSW									2	
48/	QH									2	
50/56	THQ, Q, Z (except T/A)	*1940				6	11.00"	16.00"	3.125"	2	8Q 1125
50/56	QH, QW, QHW, ZW (except T/A)									2	
53/56	QHS, QSW	*2160				6	11.00"	16.00"	3.187"	2	TUAA 1125-A
54/56	QH, #QH (with T/A)									2	
55/56	QH (with T/A & B5QH 3010-A front axle)					5	9.00"	16.00"	3.37"	2	B5QH 1125-A

YEAR 19	MODEL	DESCRIPTION	QTY. PER VEHICLE	PART NUMBER
53/	Y (1956 J)	Bolt (drum to hub)-1/2"-20 x 1 1/16"	16	352155-S8(BB474)
		Locknut-1/2"-20		34424-S7(M84)
	D, J, Y	Screw (drum to hub)-3/8"-16 x 5/8"	6	*24651-S2
	JH, T, TH, TL, W, WH	Bolt (drum to hub)-1/2"-20 x 1"-self-locking	10	43113-S2(B232)
		Washer-33/64"		351810-S8(XX185)
		Bolt (drum to hub)-5/8"-18 x 1"	10	357594-S2(BB401)
			12	
			10	
			12	

‡ Has slot in drum edge

* Casting Number

Model Code T-750



BUY IT NOW!

Click Here To Order



YEAR 19	MODEL	DESCRIPTION	QTY. PER VEHICLE	PART NUMBER
1125 DRUM - FRONT BRAKE - continued				
48/56	THQ, Q, QH, QHS, QW, QHW, QSW, Z, ZW	Bolt (drum to hub)-1/2"-20 x 1 3/8"	10	20453-S8(B200)
56	Q, QH, #QH, QHS, QW, QHW, QSW, Z, ZW	Bolt (drum to hub)-1/2"-20 x 1 3/4"-square head	10	358688-S8(UU118)
		Nut-1/2"-20		33846-S8(M69)
		Lockwasher-1/2"		34809-S8(X68)
56	Q, QH, QHS, QW, QHW, QSW, Z, ZW	Bolt (drum to hub)-1/2"-13 x 1 1/4"	12	350688-S(BB193)
50/55	QH, QW, QHW, ZW		12	
50/55	THQ, Q, Z (except T/A)		12	
		Lockwasher-1/2"		34809-S8(X68)
53/	QHS, QSW	Bolt (drum to hub)-1/2"-13 x 1 1/8"	10	*24412-S8
54/	QH with T/A		10	
56/	QHW		10	

YEAR 19	MODEL	WHEEL		BRAKE		BOLT		INSIDE DIAMETER	BRAKE SURFACE WIDTH	QTY. PER VEHICLE	PART NUMBER
		DISC	SPOKE	HYD.	AIR	NO. REQ'D	CIRCLE DIAMETER				
1126 DRUM - REAR BRAKE											
48/	C	X		X		5	5.50"	11.00"	2.00"	2	A8TZ 1126-A
48/51	D	X		X		8		12.00"		2	8D 1126-A
51/55	D, J	X		X		8	6.50"	12.00"	2.40"	2	TBAA 1126-A
51/52	Y									2	
56/	D, J	X		X		8	6.50"	12.125"	2.40"	2	B6D 1126-A
53/	J, Y	X		X		6	7.25"	13.00"	3.06"	2	C2TZ 1126-D
48/51	J	X		X		8		13.125"		2	8J 1126
48/51	Y	X		X		8		14.00"		2	8Y 1126
53/	JH	X		X		5	8.00"	14.125"	4.00"	2	TDAA 1126-A
53/55	T, W									2	
53/55	JH, TH, WH	X		X		5	8.00"	15.00"	4.50"	2	TEAA 1126-A
53/	T, W									2	
54	Q, Z(with T/A)									4	
48/52	JH, T, TH, TL, W, WH	X		X		5	8.00"	15.00"	3.92"	2	7RT 1126-A
54/	Q, Z (with T/A)	X		X		6	8.75"	15.00"	4.50"	2	B9TT 1126-B
54/55	TH, WH (with heavy duty rear axle)									2	
56/	TH, WH									2	
49/	THQ, Q, QW	X		X		8	10.00"	15.00"	5.51"	2	8Q 1126-A
56/	#QH with T/A									4	
54/	Q, QW, Z, ZW (except T/A)									2	*8Q 1126-A
50/56	THQ, Q, QW, Z, ZW (except T/A)		X	X		6	12.50"	15.00"	5.50"	2	TFAA 1126-A
56	#QH with T/A									4	
56/	Z, ZW (except T/A)		X	X		5	12.50"	15.00"	5.50"	2	B6Q 1126-A
56/	Q, QW (except T/A)									2	
56/	Q, Z (with T/A)		X	X		5	12.50"	15.00"	4.50"	4	B6Q 1126-C
48/	QH, QHW (except T/A)	X		X		8	10.00"	16.00"	5.63"	2	7EQH 1126
54/	QH with T/A									4	
50/56	QH, QHW (except T/A)		X	X		6	12.50"	16.00"	5.62"	2	TGAA 1126-A
54/56	QH with T/A									4	
53/56	QHS, QSW		X	X		6	12.50"	16.00"	6.53	2	TUAA 1126-A
53/	QHS, QSW (except T/A)	X		X		10	11.25"	16.00"	6.63"	2	TUAA 1126-B
55/	QH, QHW (except T/A)	X		X		10	11.25"	16.00"	5.62"	2	B5QH 1126-B
56/	QH with T/A									4	
56/	Q, QW, Z, ZW (except T/A)	X		X	X	8	10.00"	16.50"	5.06"	2	B6Q 1126-B
56/	#QH with T/A									4	
56/	QH, QHW (except T/A)		X	X		5	12.50"	16.00"	5.62"	2	B6QH 1126-G
56/	QH with T/A									4	
48/49	Q	X		X		8	10.00"	16.25"	3.97"	2	*7EQ 1126-B
56/	Q, QW, Z, ZW (except T/A)		X		X	5	12.50"	16.50"	5.06"	2	B6Q 1126-D
56/	#QH with T/A									4	
53/	QHS, QSW		X		X	6	12.50"	16.50"	6.59"	2	B6QH 1126-A
49/	QH, QHW (except T/A)	X		X	X	8	10.00"	16.50"	6.03"	2	B6QH 1126-B
54/	QH(with T/A)-8 cyl. 332									4	
	QHS, QSW (except T/A)-stamped 72783	X		X	X	10	11.25"	16.50"	6.50"	2	B6QH 1126-C
	QH, QHW		X		X	6	12.50"	16.50"	5.97"	2	B6QH 1126-D
										2	
										4	
		X		X	X	10	11.25"	16.50"	6.09"	2	B6QH 1126-E
										4	

Speed Rear Axles

* Casting number

100% SATISFACTION GUARANTEED

BUY IT NOW!

Click Here To Order

PayPal, Discover, MasterCard, VISA

FORD TRUCK PARTS

SECTION 11

YEAR 19	MODEL	WHEEL		BRAKE		BOLT		INSIDE DIAMETER	BRAKE SURFACE WIDTH	QTY. PER VEHICLE	PART NUMBER
		DISC	SPOKE	HYD.	AIR	NO. REQ'D	CIRCLE DIAMETER				
1126 DRUM - REAR BRAKE - continued											
56/	QH, QHW (except T/A)		X		X	5	12.50"	16.50"	5.97"	2	B6QH 1126-F
56/	QH (with T/A)									4	
56/	Q, QH, QW, QHW, Z, ZW (except T/A), (18000 lb. rear axle)	X			X	5	12.50"	16.50"	6.59"	2	◇B7TZ 1126-A
56/	QH, QHS (34000 lb. T/A)									4	
48/55	C	Bolt (axle shaft to drum)-5/16"-24 x 1/2"								6	20311-S8(B153)
		Lockwasher-5/16"									34806-S7(X64)
48/	D, J	Screw (drum to hub)-3/8"-16 x 21/32"								6	359189-S8(BB88)
51/52	Y									6	
53/54	Y	Bolt (drum to hub)-9/16"-18 x 1 1/8"								12	B3Y 2249-A
		Locknut-9/16"-18									34451-S8(M88)
48/49	Q	Screw (drum to hub)-1/2"-13 x 3/4"								8	355812-S2 (BB89)
48/	JH, T, TH, TL, W, WH									6	
49/53	THQ, Q, QW									8	
54/56	Q, Z(with T/A)									12	
54/56	Q, QW, Z, ZW (except T/A)									8	355812-S2(BB89)
48/	QH, QHW (except T/A)	Screw (drum to hub)-1/2"-13 x 1"								8 OR 10	355816-S7(BB91)
54/	QH with tandem axle									16 OR 20	
50/56	THQ, Q, QH, QW, QHW, Z, ZW(except T/A)	Bolt (drum to hub)-5/8"-11 x 1 7/16"								12	350724-S(BB201)
54/56	QH with T/A									24	
53/56	QHS, QSW									12	
54/	QHS, QSW	Locknut (drum to hub)-3/4"-16								20	*34405-S2
		Nut-5/8"-18									33850-S8(M72)
		Lockwasher-5/8"									34811-S2(X71)
56/	Q, Z(with T/A)	Bolt (drum to hub)-1/2"-20 x 1 3/4" square hd.								20	358688-S8(UU118)
		Nut-1/2"-20									33846-S8(M69)
		Lockwasher-1/2"									34809-S8(X68)
1130 CAP - WHEEL HUB											
48/56	C									4	6A 1130-A
48/56	D, J, Y									4	2J 1130-A
50/52	Q, QH(with heavy duty front axle)	Front								2	8Q 1130-A
54/	QH, #QH(with T/A)	Front								2	
		Bolt (cap to hub)-3/8"-16 x 3/4"								10	20348-S8(B77)
		Lockwasher-3/8"									34847-S8(X74)
1131 CAP - FRONT HUB GREASE											
53/55	Y	Stamped TCAA 1131-A								2	TCAA 1131-A
56/	Y with dual rear wheels									2	
54/	QHS, QSW (with disc wheels)	5 3/16" O. D. -6 holes								2	8EB 1131
55/	QH with T/A & disc wheels									2	
53/55	THQ, Q (except T/A)									2	TGAA 1131-A
54/55	Z School Bus									2	
53/	QH, QW, ZW (except T/A)									2	
53/56	QHW									2	
		Bolt (cap to hub)-5/16"-18 x 1/2"								AR	20310-S8(B48)
		Lockwasher-5/16"									34806-S7(X64)
53/	QHS, QSW(with spoke wheels)	5 11/16" O. D. -4 holes								2	TUAA 1131-A
54/	QH, #QH(with spoke wheels & tandem axle)									2	
		Screw (cap to hub)-1/4"-20 x 1/2"								AR	26483-S7(U172)
		Lockwasher-1/4"									34805-S8(X62)
48/	JH, T, TH, TL	2 5/8"-16								2	A8TZ 1131-C
56	W, WH									2	
48/	THQ, Q, Z (1948/52 QH)	3 1/8"-16								2	A8TZ 1131-A
48/56	C, D (1948/52 Y)	Without threads								2	A8AZ 1131-A
48/	J									2	A8TZ 1131-B
55/	Y with single rear wheels									2	
1132-3 NUT - DUAL REAR DISC WHEEL - INNER											
48/52	JH, TL	R. H. thread-stamped"R"-3/4"-16 & 1 1/8"-16 -								5	BB 1132
48/55	T, TH, W, WH	2 1/8" long								5	
	JH, T, W									5	
										6	
										AR	
										10	
										8or10	
										16or20	



100% SATISFACTION GUARANTEED

BUY IT NOW!

Click Here To Order



◇ Rear Axles * Casting number ◇ Must be used with B6QH 1109-A Hub

YEAR 19	MODEL	DESCRIPTION	QTY. PER VEHICLE	PART NUMBER
1132-3 NUT - DUAL REAR DISC WHEEL - INNER - continued				
48/52	JH, TL	L. H. thread-stamped "L"-3/4"-16&1 1/8"-16-	5	BB 1133
48/55	T, TH, W, WH	2 1/8" long	5	
56/	JH, T, W		5	
56/	TH, WH		6	
48/	THQ, Q, QW, Z, ZW (except T/A)		AR	
53/	QHS, QSW (except T/A)		10	
54/	Q, Z (with T/A)		AR	
48/	QH, QHW (except tandem axle)		8or10	
55/	QH, #QH, QHS (with T/A)		16OR20	
1134-5 NUT - DUAL REAR DISC WHEEL - OUTER				
48/52	JH, TL	R. H. thread-stamped "R"-1 1/8"-16	5	BB 1134
48/55	T, TH, W, WH		5	
56/	JH, T, W		5	
56/	TH, WH		6	
48/	THQ, Q, QW, Z, ZW (except tandem axle)		AR	
53/	QHS, QSW (except T/A)		10	
54/	Q, Z (with T/A)		AR	
48/	QH, QHW (except tandem axle)		8or10	
55/	QH, #QH, QHS (with T/A)		16OR20	
48/52	JH, TL	L. H. thread-stamped "L"-1 1/8"-16	5	BB 1135
48/55	T, TH, W, WH		5	
56/	JH, T, TH, W, WH		AR	
48/	THQ, Q, QW, Z, ZW (except tandem axle)		AR	
53/	QHS, QSW (except T/A)		10	
54/	Q, Z (with T/A)		AR	
48/	QH, QHW (except tandem axle)		8or10	
55/	QH, #QH, QHS (with T/A)		16OR20	
1142 ADAPTER - REAR AXLE SHAFT STUD				
48/	D, J, JH, JL, Y, T, TH, TL, THZ, W, WH, WHZ		16	BB 1142-B
54/	Q, Z (with tandem axle)		32	
48/	THQ, Q, QH, QW, QHW, Z, ZW (except T/A)	1/2" I. D. -13/16" O. D. -13/32" long	AR	7EQ 1142
54/	QH (with T/A)		AR	
56/	#QH with tandem axle		AR	
1151 STUD - FRONT WHEEL RIM				
50/52	Q, QH (with heavy duty front axle)	5/8"-11 & 5/8"-11 x 2 3/8"	12	1Q 1151-A
1151 BOLT - SPOKE WHEEL RIM CLAMP				
50/56	THQ, Q, QH, QHS, QW, QHW, QSW, Z, ZW (except tandem axle)	Front & rear-5/8"-11 x 2 1/8"	24	8Q 1151
54/56	QH, #QH (with tandem axle)	Front & rear	36	
56	QHS, QSW	Rear	12	
		Nut (clamp bolt)-5/8"-11		356085-S8 (MM14)
		Cotter pin-1/8" x 1 1/4"		72053-S(N52)
1153 GASKET - FRONT WHEEL HUB and GREASE CAP				
50/52	Q, QH (with heavy duty front axle)	Hub cap -6" I. D. -7 1/2" O. D. -5 holes	2	8Q 1153-A
54/	QH, #QH (with tandem axle)		2	
53/	QH, QW, ZW (except tandem axle)	Grease cap-3" I. D. -has 4 holes	2	TGAA 1153-A
53/56	QHW		2	
53/55	THQ, Q (except tandem axle)		2	
54/55	Z School Bus		2	
53/	QHS, QSW	Grease cap-4 1/4" I. D. -has 4 holes-use with spoke wheels	2	TUAA 1153-A
54/	QH, (#QH with T/A)			
53/	QHS, QSW	Grease cap-3 5/8" I. D. -has 6 holes-use with disc wheels	2	TUAA 1153-B
55/	QH with tandem axle & 10 hole wheels		2	
1165 SLINGER - REAR HUB OIL				
53/	JL, Y	6 3/8" O. D.	2	TCAA 1165-A
53/	JH, T, W (1953/55 TH, WH)	9 21/64" O. D.	2	TDAA 1165-A
48/56	THQ, Q, QW, Z, ZW (except tandem axle)	11 1/2" O. D.	2	7EQ 1165-B
48/	QH, QHW (except tandem axle)	11 1/4" O. D.	2	7EQH 1165
			4	
1174 WIPER ASSY. - REAR AXLE SHAFT				
		Inner-2 1/16" I. D. -2 33/64" O. D. -3/8" thick	2	7EQ 1174
			4	
		Inner-2" I. D. -2 3/8" O. D. -29/64" thick	4	B6Q 1174-A
			2	
			2	



BUY IT NOW!

Click Here To Order



YEAR 19__	MODEL	DESCRIPTION	QTY. PER VEHICLE	PART NUMBER
1175 RETAINER - REAR WHEEL GREASE				
48/52	JH, T, TH, TL, W, WH	4. 56" O. D.	2	BB 1175-C
48/51	J, Y	3. 60" O. D.	2	61 1175
51/52	J, Y	Inner-3. 48" O. D.	2	8D 1175
48/	D		2	
53/	J	Inner-2 13/32" I. D. -3 39/64" O. D.	2	B4J 1175-A
53/	Y	3 7/8" O. D.	2	TCAA 1175-A
56/	J with H/D rear axle		2	
53/55	TH, WH	4 5/8" O. D.	2	B6J 1175-A
53/	JH, T, W		2	
54/	Q, Z(with tandem axle)	Inner-4 3/4" O. D.	4	B6Q 1175-A
54/55	TH, WH(with heavy duty axle)		2	
56/	TH, WH		2	
48/	THQ, Q, QW, Z, ZW (except T/A)	Inner-5 3/8" O. D.	2	7EQ 1175-A
56/	#QH with tandem axle		4	
48/	QH, QHW (except tandem axle)	5 11/16" O. D.	2	7EQH 1175
54/	QH (with T/A)		4	
53/	QHS, QSW (except T/A)	6 1/4" O. D.	2	TUAA 1175-A
1177 SEAL ASSY. - REAR WHEEL BEARING OIL - INNER				
48/	C	1 1/2" I. D. -2 1/2" O. D.	2	B7A 1177-A
1180 SNAP RING - REAR WHEEL GREASE RETAINER				
48/52	JH, T, TH, TL, W, WH	4. 80" O. D.	2	BB 1180-C
48/51	J, Y	3. 84" O. D.	2	61 1180
1180 RETAINER - REAR WHEEL BEARING - INNER				
48/	C	1 17/32" I. D.	2	B9AW 1180-B
1180 WASHER - REAR WHEEL GREASE RETAINER				
48/	QH, QHW (except tandem axle)	3 15/16" I. D. -5 11/16" O. D.	2	7EQH 1180
54/	QH (with T/A)		4	
1181 OIL SEAL ASSY. - REAR AXLE				
48/	THQ, Q, QW, Z, ZW (except tandem axle)	Shaft-outer-2. 53" I. D. -6. 14" O. D.	2	B9T 1181-A
56/	#QH with tandem axle		4	
48/	QH, QHW (except T/A)	Wiper-outer-2 5/8"-12 I. D. -4" O. D.	2	8QH 1181
54/	QH (with T/A)		4	
53/	QHS, QSW (except T/A)	Wiper-outer-3"-12	2	TUAA 1181-A
54/	Q, Z(with tandem axle)	Shaft-outer-2 3/8" I. D. -5 7/8" O. D.	4	B6T 1181-A
54/55	TH, WH(with heavy duty rear axle)		2	
56/	TH, WH		2	
1187 GASKET - REAR AXLE WIPER				
48/	THQ, Q, QW, Z, ZW (except T/A)	2 1/16" I. D. -2 13/32" O. D.	2	7EQ 1187
56/	#QH with T/A		4	
1190 RETAINER - FRONT WHEEL GREASE				
48/56	JH, T, TH, TL, W, WH	3 5/16" O. D.	2	91T 1190
48/56	C, D (Y 1948-52)	2 3/4" O. D.	2	01Y 1190-A
48/56	J (Y 1953/56)	3" O. D.	2	8J 1190
50/52	Q, QH(with heavy duty front axle)	4 27/32" O. D.	2	B5QH 1190-A
53/	QHS, QSW		2	
54/	QH, #QH(with tandem axle)		2	
53/55	THQ, Q (except tandem axle)	4 1/8" O. D. -for 2 7/8" shaft	2	C3TZ 1190-C
55	Z School Bus		2	
53/	QH, QW, ZW (except T/A), QHW		2	
48/52	QH	Front hub-2 21/32" I. D. -3 17/32" O. D.	2	A8TZ 1190-A
48/	THQ, Q, Z		2	
56	QW, ZW(with air brakes)		2	
1191 WASHER - FRONT HUB GREASE SEAL RETAINER				
48/52	QH	2 11/16" I. D. -3 9/16" O. D. -supplied in	2	*7EQ 1191
48/	THQ, Q, Z	A8Q 1196-A Kit	2	
56	QW, ZW(with air brakes)		2	
1193 SEAL - FRONT HUB GREASE				
48/52	QH	Felt-2 3/4" I. D. -3 3/4" O. D.	2	7EQ 1193
	THQ, Q, Z		2	
	QW, ZW(with air brakes)		2	
UB TO SPINDLE				
		2 11/16" I. D. -3 1/8" O. D. -1/8" thick-supplied in A8Q 1196-A Kit	2	*7EQ 1194
			2	
			2	



BUY IT NOW!

Click Here To Order



YEAR 19__	MODEL	DESCRIPTION	QTY. PER VEHICLE	PART NUMBER
1195 WASHER - FRONT HUB OUTER BEARING				
48/	Y	1 13/16" O.D.	2	B 1195
48/56	C, D		2	
53/	J		2	
50/52	Q, QH (with heavy duty front axle)	3" O.D.	2	8EB 1195
53/	QHS, QSW		2	
54/	QH, #QH (with tandem axle)		2	
53/	QH, QW, ZV (except tandem axle), QHW	2 5/8" O.D.	2	TGAA 1195-A
48/	JH, T, TH, TL, W, WH	2 7/16" O.D.	2	B7J 1195-A
48/52	QH	2 23/32" O.D. -6M Front Axle	2	B7T 1195-A
48/	THQ, Q, Z		2	
56	QW, ZW (with air brakes)		2	
1196 KIT - FRONT HUB GREASE SEAL REPAIR				
48/52	QH	Consists of	2	A8Q 1196-A
48/	THQ, Q, Z	1-7EQ 1191 Washer 1-7EQ 1193 Seal	2	
56	QW, ZW (with air brakes)	1-7EQ 1194 Spacer	2	
1201 CONE and ROLLER ASSY. - FRONT WHEEL INNER BEARING				
48/56	J (Y 1953/56)	Stamped 2788	2	BB 1201
48/56	C, D (Y 1948-52)	Stamped 14130-use with 01Y 1202 cup	2	01Y 1201
48/56	JH, T, TH, TL, W, WH	Stamped 25578	2	68 4221
48/52	QH	Stamped 3778-use with 9N 4222 cup	2	7EQ 1201
48/	THQ, Q, Z		2	
50/52	Q, QH (with heavy duty front axle)	Stamped 39581	2	8Q 1201-A
54/	QSW (1953/59 QHS)		2	
54/	QH, #QH (with tandem axle)		2	
53/	QH, QW, ZV (except tandem axle), QHW	Stamped 45284	2	TGAA 1201-A
54/55	Q (except tandem axle)-with Power Steering		2	
55/	QH with tandem axle & air brakes	Stamped 557A-use with B5QH 3010-A & B5QH 1202-B	2	B5QH 1201-A
1202 CUP - FRONT WHEEL BEARING - Also Refer to Group 1217				
48/	JH, T, TH, TL (48/56 W, WH)	Outer-stamped 15250X	2	B 1202
48/	JH, T, TH, TL (48/56 W, WH)	Inner-stamped 25522	2	B6T 1202-A
48/56	C, D (Y 1948/52)	Inner-stamped 14276	2	01Y 1202
48/56	J (Y 1953/56)	Inner-stamped 2726	2	8J 1202-B
50/52	Q, QH (with heavy duty front axle)	Outer-stamped 3525	2	81T 1202
53/	QHS, QSW		2	
54/	QH, #QH (with tandem axle)		2	
50/52	Q, QH (with H/D front axle)	Inner-stamped 3920	2	B6T 1243-A
53/	QH, QW, ZV (except T/A), QHW	Inner-stamped 45220	2	TGAA 1202-A
48/52	QH	Inner-stamped 3720	2	9N 4222
48/	THQ, Q, Z		2	
55/	QH with tandem axle & air brakes	Inner-stamped 553X-use with B5QH 3010-A & B5QH 1201-A	2	B5QH 1202-B
1216 CONE and ROLLER ASSY. - FRONT WHEEL OUTER BEARING				
48/	J	Stamped 1380	2	AA 1216-A
53/	Y		2	
48/	JH, T, TH, TL, W, WH	Stamped 15106	2	91T 1216
48/52	QH (43/62 THQ, Q, Z)	Stamped 2790	2	7EQ 1216
48/56	C, D (Y 1948/52)	Stamped 09067	2	8A 1216-A
50/52	Q, QH (with heavy duty front axle)	Stamped 3585	2	8EB 1216
53/	QHS, QSW		2	
54/	QH, #QH (with tandem axle)		2	
53/	QH, QW, ZV (except tandem axle), QHW	Stamped 2780	2	TGAA 1216-A
53/55	Q (except tandem axle)		2	
54/55	Q (except tandem axle)-with Power Steering		2	
55/	QH with tandem axle & air brakes	Stamped 3782- 11M front axle	2	B5QH 1216-A
55/56	QH with tandem axle & air brakes	Differential bearing- 11M front axle	2	
1217 CUP - FRONT WHEEL OUTER BEARING - Also Refer to Group 1202				
48/	J	Stamped 1328	2	AA 1217-A
	Y		2	
	C, D (Y 1948/52)	Stamped 09195	2	8A 1217
		Stamped 2720	2	7EQ 1217
			2	
		11M front axle-stamped 3720	2	9N 4222
REAR WHEEL - BALL				
		1 17/32" I.D. - 3 5/32" O.D. -stamped 88128	2	C1SZ 1225-A



BUY IT NOW!

Click Here To Order



YEAR 19	MODEL	DESCRIPTION	QTY. PER VEHICLE	PART NUMBER
1239 CUP - WHEEL BEARING - Also Refer to Group 1243				
48/	JH, T, W	Rear-outer-stamped 453X	2	BB 1239-A
48/55	TH, TL, WH	Rear-outer	2	
48/51	J, Y (1953/ J)	Rear-outer-stamped 354A	2	61 1239
48/51	D	Rear-outer-stamped 18620	2	91D 1239
53/56	Y	Rear-outer -1 13/16" I. D. -3 11/32" O. D. -use with TCAA 1109-B hub-stamped 2924	2	TCAA 1239-A
48/	QH, QHW	Rear-outer-stamped 39520	2	7EQH 1239
54/	QH with tandem axle	Rear-outer	4	
54/	QH, #QH(with tandem axle)	Front-inner	2	
54/	QHS, QSW	Front-inner	2	
53/	QHS, QSW (except T/A)	Rear-outer-stamped 572	2	TUAA 1239-A
1240 CONE and ROLLER ASSY. - REAR WHEEL OUTER BEARING - Also Refer to Group 1244				
48/55	TH, TL, WH	Stamped 462	2	BB 1240-A
48/	JH, T, W		2	
48/51	J, Y	Stamped 359S	2	61 1240
53/	J		2	
48/51	D	Stamped 18690	2	91D 1240
51/	D	Stamped 18780	2	8D 1240
51/52	J, Y		2	
53/56	Y	1 13/16" I. D. -stamped 2984	2	TCAA 1240-A
48/	QH, QHW (except tandem axle)	2 5/8" I. D. -stamped 39590	2	7EQH 1240
54/	QH (with T/A)		4	
53/	QHS, QSW (except T/A)	3" I. D. -stamped 575	2	TUAA 1240-A
54/	Q, Z(with tandem axle)	Stamped 3982	4	B6T 1240-A
54/55	TH, WH(with heavy duty rear axle)		2	
56/	TH, WH		2	
1243 CUP - REAR WHEEL or DIFFERENTIAL BEARING - Also Refer to Group 1239				
48/51	D	Rear wheel-inner-stamped 18720	2	91D 1243-A
51/	D	Rear wheel-inner & outer	4	
51/52	Y	Rear wheel-inner & outer	4	
51/53	J	Rear wheel-inner & outer	4	
53/55	D, J	Differential-R. H.	1	
53/	Y	Rear wheel-inner-stamped 382A	2	TCAA 1243-A
48/51	J, Y	Rear wheel-inner-2" I. D. -3 1/2" O. D. - stamped 362A	2	B6J 1243-A
53/	J	Rear wheel inner	2	
55/	J, Y	Rear wheel-outer-use with B6Y 1109-A hub	2	
48/52	D, J, Y	Differential	2	
48/	QH-8 cyl. 401, 477, 534, QHW (except T/A)	Rear wheel-inner-stamped 47620	2	7EQH 1243
54/	QH with tandem axle	Rear wheel-inner	4	
48/	QH (except T/A)-8 cyl. 332	Rear wheel-inner	2	
54/	Q, Z (with tandem axle)	Rear wheel-inner-stamped 33462	4	B4Q 1243-A
54/55	TH, WH (with heavy duty rear axle)	Rear wheel-inner	2	
56/	TH, WH	Rear wheel-inner	2	
53/	QHS, QSW (except T/A)	Rear wheel-inner-stamped 592A	2	TUAA 1243-A
48/	THQ, Q, QW (except T/A)	Rear wheel-inner-stamped 493-4 5/8" O. D.	2	B6Q 1243-A
56/	#QH with tandem axle	Rear wheel-inner	4	
54/	Z, ZW (except T/A)	Rear wheel-inner	2	
48/	QH, QHW	Differential-R. H.	1	B6Q 1243-A
56/	QHS, QSW	Differential-L. H.	1	
53/55	QHS, QSW	Differential-R. H.	1	
51/	THQ, Q, QW, Z, ZW	Differential-R. H.	1	
48/	JH, T, TH, W, WH	Differential-L. H.	1	
48/55	TH, WH	Rear wheel-inner-stamped 3920	2	B6T 1243-A
48/	JH, T, TL, W	Rear wheel-inner-2 13/16" I. D.	2	B6T 1243-A
56/	TH, WH	Rear wheel-outer	2	
54/55	TH, WH(with heavy duty rear axle)	Rear wheel-outer	2	
48/	THQ, Q, QW, Z, ZW (except tandem axle)	Rear wheel outer	2	
	Q, Z(with tandem axle)	Rear wheel outer	4	
	QH with tandem axle	Rear wheel-outer	4	
		Differential	2	
		Differential-L. H.	1	
		Differential	2	
		Differential	2	

BUY IT NOW!

Click Here To Order

Use with two speed axles. Δ Use with conventional & two speed axles.

1948-1956 FORD TRUCK

PARTS AND ACCESSORIES

ILLUSTRATIONS CATALOG

1948-1956 CHASSIS

1953-1956 BODY

PARTS AND ACCESSORIES OPERATIONS

BUY IT NOW!

MOTOR COMPANY

Click Here To Order

COMPANY - DEARBORN, MICHIGAN



1964

QUICK REFERENCE INDEX	PAGE
GENERAL INFORMATION MODEL IDENTIFICATION	II
SECTIONS 10-26 WHEELS, BRAKES	1
SECTIONS 30-35 FRONT AXLE, STEERING	53
SECTIONS 42-48 REAR AXLE, DRIVE SHAFT, COUPLING SHAFT	70
SECTIONS 50-53 FRAME, MUFFLER, SPRINGS	110
SECTIONS 60-66 ENGINE	136
SECTIONS 70-75 STANDARD TRANSMISSION, CLUTCH	192
SECTIONS A70-A76 AUTOMATIC TRANSMISSION	233
SECTIONS 80-85 COOLING, GRILLE	248
SECTIONS 90-97 FUEL, CARBURETOR, ACCELERATOR	270
SECTIONS 100-123 GENERATOR, ALTERNATOR STARTER, DISTRIBUTOR	308
SECTIONS 130-145 LAMPS, WIRING	330
SECTIONS 160-166 FENDER, HOOD	345
SECTIONS 170-182 BUMPER, SHOCK ABSORBER, HEATER, ACCESSORIES	359
BODY SECTIONS 100-600 BODY BOLDS, DOOR, SEAT	372
SHEET METAL SECTION SHEET METAL, EXTERIOR MOULDING INTERIOR TRIM	379

PARTS and ACCESSORIES ILLUSTRATION CATALOG

FORM FD-9465

FORD DIVISION  MOTOR COMPANY

1948/56 FORD TRUCKS

DISTRICT OFFICES

Atlanta (East Point, Ga.)	Denver, Colo. Des Moines, Iowa	Louisville, Ky. Memphis, Tenn.	Philadelphia (Pennsauken, N. J.) Pittsburgh, Pa.
Boston (Natick, Mass.)	Detroit (Livonia, Mich.)	New Orleans (Arabi, La.)	Richmond, Va. Rockford, Ill.
Buffalo, N. Y. Charlotte, N. C.	Fargo, N. D. Houston, Texas	Newark (Teterboro, N. J.)	St. Louis (Clayton, Mo.)
Chicago (Melrose Park, Ill.)	Indianapolis, Ind. Jacksonville, Fla.	New York (White Plains, N. Y.)	Salt Lake City, Utah San Jose, Calif.
Cincinnati, Ohio	Kansas City, Mo.	Oklahoma City, Okla.	Seattle, Wash.
Cleveland, Ohio Dallas, Texas Davenport, Iowa	Lansing, Mich. Los Angeles (Pico-Rivera, Calif.)	Omaha, Neb. Phoenix, Arizona	Twin City (Minneapolis, Minn.) Washington, D. C.

INDEX FOR GENERAL INFORMATION and MODEL IDENTIFICATION SECTIONS

Abbreviations	XIV	Rating Plate Diagram & Explanation	VIII
BODY PARTS ILLUSTRATIONS GENERAL INDEX	V	Rating Plate Codes	
Body Type Codes	III	Assembly Plant	XI
Catalog Model Symbols	III	Body Type	III
CHASSIS PARTS ILLUSTRATIONS GENERAL INDEX	V	District	XI
District Offices	II	Engine (Horsepower Rating)	XI
Explanation of Symbol ★	III	Exterior Paint Body Color	XII
Ford Group and Basic Number Chart	VI thru IX	Model Year	XI
General Instructions	II	Production Date	X
How to Order Parts	III	Transmission Type	XI
Model Identification	XV thru XX	Truck Series and Catalog	XIII
Model Years	III	Model Symbols	
Procedure for Using Catalog	IV		
Quick Reference Index	I		
Section, Group and Basic Numbers	IV		

GENERAL INSTRUCTIONS

This Ford Parts and Accessories Catalog contains parts illustrations for Ford trucks and is to be used in conjunction with "Text" Catalog, Form FD-9464.

Following are the model years for which illustrations are provided in this catalog:

Chassis Parts	1948 through 1956
Body Parts	1953 through 1956
Soft Trim Parts	1956

left hand side of the vehicle and should govern in determining such etc. as to whether a part is right or left hand.



BUY IT NOW!
Click Here To Order 



BODY TYPE CODES

Various body illustrations are identified by Body Type Codes. A complete listing of the codes and the body types which they represent is shown below. Body types which are similar are identified by the same code number; alphabetical suffixes are used to identify illustrations or part numbers which are peculiar to a particular body type.

CODE	BODY TYPE	CODE	BODY TYPE
80	Platform	82A	Panel Delivery-Standard
86	Rack	82B	Panel Delivery-Custom
81A	CONVENTIONAL CLOSED CAB-STANDARD	83	Pickup Box-Flare Side
81B	CONVENTIONAL CLOSED CAB-CUSTOM	84	OPEN DRIVE AWAY-LESS WINDSHIELD FRAME
81A (C/F)	Forward Closed Cab-Standard	85	CLOSED DRIVE AWAY-INCLUDES WINDSHIELD FRAME
81B (C/F)	Forward Closed Cab-Custom	85	Parcel Delivery

Only body type numbers are shown on those illustrations which are applicable to all body types of a related group. For instance, Body Type 81 includes 81A, 81B, 81A (C/F) and 81B (C/F).

CATALOG MODEL SYMBOLS OR CODES

The Catalog Model Symbols used throughout this "Illustration" catalog and the related "Text" catalog Form FD-9464 are listed with the truck series which they represent on Page XIII.

MODEL YEARS

Model year application is indicated by showing the first year followed by a diagonal line to imply continued usage in all subsequent years until the insertion of the last year of usage, which will then be inserted after the diagonal line. If no diagonal line is shown the illustration is applicable only to the year shown.

- Example:
- 48 indicates part used 1948 model year only.
 - 48/56 indicates part used 1948 through 1956 model years.
 - 55/ indicates part used 1955 through 1956 and subsequent model years as indicated in the appropriate catalog for 1957 and up.

EXPLANATION OF SYMBOL ★

- ★ Symbol indicates part is not supplied for service due to the following:
 - a. Due to its function there would be little or no demand.
 - b. Part can be improvised as indicated in the description column of "Text" Catalog.

HOW TO ORDER PARTS

When ordering parts, always give the complete part number. In the event the part number is not known, the following information should be included.

- A. Complete description of part.
 - B. Model year and body type.
 - C. Dimension, number of teeth, size, etc.; if possible rough sketch of part.
 - D. If applicable to engine, transmission, axle, steering, etc.; specify type; inch, Fordomatic, Power Steering, etc.
- Part is to be made - Freight, Express, Air, Parcel Post.



BUY IT NOW!

Click Here To Order



SECTION, GROUP and BASIC NUMBERS

For greater convenience this catalog is divided into sections to conform with the Master Parts Catalogs.

Section Numbers are related to group numbers as follows:

SECTION NUMBER	GROUP NUMBER SERIES	PART NAME
10	1000 - 1999	Wheel Parts
20	2000 - 2999	Brake Parts

The "Text" Catalog is divided into sections also and like parts are shown under similar section numbers in both the "Text" and "Illustrations" catalogs.

Illustrations contain basic group numbers only; therefore, it is necessary to refer to the basic group within the "Text" Catalog listing for complete applicable part number.

Some basic numbers include an alphabetical character in addition to the numerical digits shown in the charts on page VI. In the "Text" Catalog basic numbers expanded by an alphabetical character follow the numerical basic numbers from which they are expanded and are listed in the manner shown below:

2140	Cylinder assy. - Brake Master
2A140	Tube - Brake Booster to Tee

Refer to Pages VI thru IX for more information on Ford group and basic part numbers.

PROCEDURE FOR USING CATALOG

Following is a recommended procedure for using this catalog:

Should an inquiry be received for a front hub assembly for a 1956 C-600 cab forward model, use the following steps:

- A. Refer to the section and page designated on the cover or in the General Index for Wheels. The designated page is 1.
- B. On the designated page (1) is an index of various Wheels, Hubs and Drums.
- C. Refer to Page XIII of the General Information Section for the Catalog Symbol Codes for the various truck series. Use Code WH as shown for Series C-600.
- D. On Page 1 locate the applicable illustration for 1956 Front Wheels and Related Parts for Model "WH".
- E. Refer to illustration on Page 6 and identify the proper part which will show the group number as 1104.

F. Refer to Group 1104 in the "Text" Catalog Form FD-9460 and locate the years 1956 in the "Year" column. Refer then to the column headed "Model" for "WH" which is for 1956 C-600 cab forward. The part number will be shown as B4T 1104-B.



CHASSIS PARTS ILLUSTRATIONS GENERAL INDEX

Following is a general index of the major groups shown in the Chassis and Body Parts Illustration Sections. For more specific information refer to the Index at the beginning of each major group as indicated below.

MAJOR GROUPS	INDEX PAGE	SECTIONS	MAJOR GROUPS	INDEX PAGE	SECTIONS
Accelerator Linkage	270	97	Instrument Panel	308	106
Accessories	359	174, 182	Lamps	330	130, 134
Alternators	308	100	Manifold	270	93
Axle (front)	53	30	Mirrors	359	174
Axle (rear)	70	42	Mufflers	110	52
Batteries	308	106	Power Steering	53	32
Brakes	1, 2	21, 23, 24, 26	Radiator	248	80
Bumpers	359	174	Rear Axle	70	42
Carburetors	270	95	Rear Suspension	110	55
Carrier (spare wheel)	1	14	Shaft (coupling)	70	48
Clutch	192	75	Shaft (drive)	70	48
Cooling System	248	80, 85	Shift (gear)	192	72
Coupling Shaft	70	48	Shock Absorbers	359	180
Distributors	308	123	Spare Wheel Carriers	1	14
Drive Shaft	70	48	Speedometer	308	106
Exhaust System	110	52	Springs	110	53, 55
Electrical	308, 330	106, 110, 123, 130, 134, 145	Starters	308	110
Engine	136, 137	60, 61, 63, 65, 66	Steering	53	32, 35
Fenders	345	160	Suspension (front)	110	53
Front Axle	53	30	Suspension (rear)	110	55
Front Suspension	110	53	Transmission (automatic)	233	A70, A72, A73, A76
Fuel System	270	90, 93, 95, 96, 97	Transmission (standard)	192	70
Frames	110	50	Voltage Regulator	308	100
Gear Shift	192	72	Water Pumps	248	85
Generators	308	100	Wheels	1	10
Grille	248	80	Wheel Carriers	1	14
Heaters	359	182	Windshield Wipers	359	174
Hoods	345	166	Wiring (lamps)	330	145
Hubs	1	10	Wiring (ignition)	308	123

BODY PARTS ILLUSTRATIONS GENERAL INDEX

MAJOR GROUPS	INDEX PAGE	BODY SECTION	MAJOR GROUPS	INDEX PAGE	BODY SECTION
Body Bolt Chart	372	100	Seats	372	600
Door Parts	372	200	Sheet Metal	379	Sheet Metal
		Sheet Metal	Windows (back and side)	379	Sheet Metal
		Sheet Metal	Windshield	379	Sheet Metal

100% SATISFACTION GUARANTEED

BUY IT NOW!

Click Here To Order

PayPal American Express Discover MasterCard VISA

FORD GROUP AND BASIC PART NUMBERS

Ford group and basic part numbers are grouped according to their function; for example, all parts applying to the rear axle are grouped from 4000 to 4550, engine from 6000 to 6899, etc.

Following is an index and section numbers of the various groups--

GROUP AND BASIC PART NO. SERIES	GROUP NAME	SECTION	GROUP AND BASIC PART NO. SERIES	GROUP NAME	SECTION
1000-1250	Wheels, Hubs and Drums	10, 11	11000-11494	Starter Motor and Starter Solenoid & Relay	110
1408-1499	Spare Wheel Carrier	14	11450-11693	Lighting, Starter and Ignition Switch	110
1705	Tire Valve Extension	14			
2000-2299	Brakes (Service)	20, 21, 22	12000-12418	Ignition Coil, Distributor, Condenser, Spark Plug	120, 123
2300-2597	Brake Controls	23, 24	12450-12493	Engine Governor	123
2600-2864	Brakes (Parking)	26, 28	13002-13380	Lamps (Head and Parking) and Turn Indicator	130
	Bendix Westinghouse Air Brake	29			
2873-2991	Air Compressor	28			
3000-3199	Front Axle	30	13400-13799	Lamps (Rear and Dome)	134
3200-3495	Steering Linkage and Power Steering	32	13800-13952	Horn	134
3500-3836	Steering Gear	35, 36	14000-14807	Wiring	140, 144, 145
4000-4557	Rear Axle	40, 40A, 40.1, 42, 43	15000-15858	Miscellaneous Accessories	145
4600-4999	Drive Shaft and Coupling Shaft	46, 48	16000-16584	Fenders	160
			16450-16584	Running Board	160
5000-5175	Frame and Brackets	50	16600-16989	Hood	166
5A204-5298	Muffler and Exhaust Pipe	52	17003-17091	Tools	170
5A300-5493	Front Spring	53			
5A500-5970	Rear Spring	55	17250-17383	Speedometer and Tachometer	170
6000-6898	Engine	60, 60A, 60.1, 60.4, 61, 63, 65, 66, 67		Speedometer Gears	172
6916-7995	Transmission and Clutch	69, 70, 70.3, 70.6, 70.7, 71, 71.5, 72, 72.4, 73, 74, 75, 76	17117-17666	Windshield Wiper and Washer	174
7000-7999	Automatic Transmission	A70, A71, A72, A73, A74, A76	17683-17743	Mirrors	174
7000-7985	Transmatic Transmission	T70, T72, T75	17750-17987	Bumpers	174
8000-8495	Radiator and Grille	80, 83	18000-18199	Shock Absorber	180
8500-8599	Water Pump	85	18200-19B548	Miscellaneous Accessories	182
8600-8649	Fan	85, 86			
8702-8725	Air Ventilating Duct	86	19500-19999	Appearance and Maintenance Materials	Paint
9002-9299	Fuel Tank	90, 91, 92			
9301-9486	Fuel Pump	93, 94	6600000 & Up	Body Parts	
			BODY SECTION		
9424-9467	Manifolds, Clamps, etc.	94		Body front	000
9488-9A697	Carburetor and Air Cleaner	94, 95, 95A, 95B, 95C, 96		Windshield	030
9700-9992	Accelerator and Choke Control Rods	97		Instrument Panel	042
				Floor	100
-9998	Carburetor	97		Door	200
		100		Quarter	270
		100			
		100, 106		Back	400
		106		Roof	500
				Seats	600

100% SATISFACTION GUARANTEED

BUY IT NOW!

Click Here To Order

FORD MOTOR COMPANY BASIC PART NUMBERING

CHASSIS, ENGINE AND ELECTRICAL BASIC NUMBER SERIES

BASIC PART NO. SERIES	BASIC SERIES EXPANSION	PARTS WHICH QUALIFY BY FUNCTIONAL AREA	BASIC PART NO. SERIES	BASIC SERIES EXPANSION	PARTS WHICH QUALIFY BY FUNCTIONAL AREA
1000-1250 1251-1349 1350-1499 1500-1724 1725-1999 2000-2594 2595-2874 2875-2999 3000-3499 3500-3776	1A000-1A250 1A251-1A349 1A350-1A499 1A500-1A724 1A725-1A999 2A000-2A594 2A595-2A874 2A875-2A999 3A000-3A499 3A500-3A776	Wheels, Hubs, and Drums Open Numbers Spare Wheel Carrier Tires and Tubes Open Numbers Brakes Brakes—Parking Air Compressor Front Axles and Front Suspensions Steering Gear and Steering Wheel	12450-12499 12500-12599 12600-12999 13000-13199 13200-13299 13000-13399 13400-13699 13700-13799 13800-13949 13950-13999	12A450-12A499 12A500-12A599 12A600-12A999 13A000-13A199 13A200-13A299 13A300-13A399 13A400-13A699 13A700-13A799 13A800-13A949 13A950-13A999	Engine Governor Open Numbers Open Numbers Head Lamps Parking Lamps Turn Signal License, Tail, and Stop Lamps Courtesy, Dome, and Instrument Lamps and Switches Horn Open Numbers
3777-3999 4000-4999 5000-5149 5150-5199 5200-5299 5300-5350 5351-5416 5417-5454 5455-5481 5482-5499	3A777-3A999 4A000-4A999 5A000-5A149 5A150-5A199 5A200-5A299 5A300-5A350 5A351-5A416 5A417-5A454 5A455-5A481 5A482-5A499	Open Numbers Rear Axle and Driveshaft and Coupling Shaft Frame and Brackets * Muffler, Exhaust Pipes, and Brackets Front Springs Sub-Frame (For Cab Mounting) Open Numbers Front Springs—Clips, Studs, and Bushings Stabilizer and Attaching Parts	14000-14689 14690-14724 14725-14999 15000-15039 15040-15074 15075-15114 15115-15199 15200-15299 15300-15399 15400-15489	14A000-14A689 14A690-14A724 14A725-14A999 15A000-15A039 15A040-15A074 15A075-15A114 15A115-15A199 15A200-15A299 15A300-15A399 15A400-15A489	Wiring and Circuit Breakers, Terminals and Connectors, Window Regulator, Fuse Panel Seat Regulator (Electrical) Junction Boxes and Electric Conduit Clocks Cigar Lighter Lamp Assy.—Cluster * Road Lamps Spot Lamps Lamp Assy.—Marker
5500-5515 5516-5999 6000-6899 6900-6944 6945-6999 7000-7499 7500-7649 7650-7799 7800-7999 8000-8499	5A500-5A515 5A516-5A999 6A000-6A899 6A900-6A944 6A945-6A999 7A000-7A499 7A500-7A549 7A650-7A799 7A800-7A999 8A000-8A499	Front Spring Covers Rear Springs and Attaching Parts Engine and Mounts * Engine Installation and Dress-up Kits Transmission and Shifting Controls Clutch and Controls Transmission Overdrive Torque Converter Radiator and Grille Parts	15490-15549 15550-15579 15580-15599 15600-15649 15650-15655 15656-15699 15700-15724 15725-15759 15760-15799 15800-15849	15A490-15A549 15A550-15A579 15A580-15A599 15A600-15A649 15A650-15A655 15A656-15A699 15A700-15A724 15A725-15A759 15A760-15A799 15A800-15A849	Lamp Assy.—Back-up Lamp Assy.—Utility Lamp Assy.—Police Flasher * Map Lamp Top Control Engine Compartment Lamp Commercial Pump Motors Note: Not used Passenger Car, Truck & Industrial Engines Open Numbers Lamp Assy.—Transmission Control Selector Indicator
8500-8599 8600-8669 8670-8999 9000-9269 9270-9339 9340-9423 9424-9499 9500-9599 9600-9699 9700-9899	8A500-8A599 8A600-8A669 8A670-8A999 9A000-9A269 9A270-9A339 9A340-9A423 9A424-9A499 9A500-9A599 9A600-9A699 9A700-9A899	Water Pumps Fan and Brackets Open Numbers Fuel Tank Fuel and Oil Gauges and Fuel Tubes Fuel Pumps Manifold, Clamps, Thermostats, etc. Carburetors Carburetor Air Cleaners Thermostatic Choke, Acc. Spark & Throttle Control Rods	15850-15874 15875-15899 15900-15999 16000-16249 16250-16299 16300-16449 16450-16549 16550-16579 16580-16599 16600-16999	15A850-15A874 15A875-15A899 15A900-15A999 16A000-16A249 16A250-16A299 16A300-16A449 16A450-16A549 16A550-16A579 16A580-16A599 16A600-16A999	Parking Brake Signal Open Numbers * Front Fender and Aprons Fender Shields Rear Fenders Running Boards and Brackets Splash Shields Open Numbers Hood, Brackets, and Controls
9900-9999 10000-10299 10300-10399 10400-10499 10500-10649 10650-10837 10838-10999 11000-11529 11530-11568 11569-11619	9A900-9A999 10A000-10A299 10A300-10A399 10A400-10A499 10A500-10A649 10A650-10A837 10A838-10A999 11A000-11A529 11A530-11A568 11A569-11A619	* Generators Alternator and Rectifier Open Numbers Generator Regulator Battery and Supports—Voltmeter and Charge Indicator Instrument Cluster and Controls Starting Motor and Starter Switch Open Numbers Ignition Switch	17000-17149 17150-17249 17250-17384 17385-17399 17400-17424 17425-17599 17600-17674 17675-17748 17749-17999	17A000-17A149 17A150-17A249 17A250-17A384 17A385-17A399 17A400-17A424 17A425-17A599 17A600-17A674 17A675-17A748 17A749-17A999	Tools Open Numbers Speedometer and Tachometer Open Numbers Rear Window Wiper Windshield Wipers Windshield Washers Rear View Mirrors Front and Rear Bumpers and Stone Deflectors

11620-11644
11645-11688
11689-11999
12000-12399

11A620-11A644
11A645-11A688
11A689-11A999
12A000-12A399

Open Numbers
Lighting Switch
Open Numbers
Ignition Coil, Distributor, Condenser and Diaphragm
Spark Plugs
Open Numbers

18000-18199
18200-18241
18242-18699
18700-18799
18800-19499
19500-19549
19550-19999

18A000-18A199
18A200-18A241
18A242-18A699
18A700-18A799
18A800-19A499
19A500-19A549
19A550-19A999

Shock Absorbers
*
Heaters
Air Brakes
Radio
Miscellaneous Accessories
Air Conditioners

Items will be identified as such.



BUY IT NOW!

Click Here To Order



BODY BASIC NUMBERS AND CORRESPONDING FUNCTIONS

BASIC PART NO. SERIES	BASIC SERIES EXPANSION	PARTS WHICH QUALIFY BY FUNCTIONAL AREA	BASIC PART NO. SERIES	BASIC SERIES EXPANSION	PARTS WHICH QUALIFY BY FUNCTIONAL AREA
*7000000-7000099 00100-00399 01400-01499 01500-01599 01600-01799 01800-01999 02000-02499 02500-02699 02700-02899 02900-02999 03000-03999 04000-04249 04250-04399 04400-04599	7000A00-7000A99 001A00-003A99 014A00-014A99 015A00-015A99 016A00-017A99 018A00-019A99 020A00-024A99 025A00-026A99 027A00-028A99 029A00-029A99 030A00-039A99 040A00-042A49 042A50-043A99 044A00-045A99	Body Assembly & Trim Sets Front End Assembly Ventilating Ducts & Valves Brake Pedal Support Dash Assembly Ventilating Ducts & Valves Cowl Assembly Front Body Pillar Assy. Open Body Front Tie Bow Braces, Etc. Windshield Assembly Visor Assembly Front Belt Rail Inst. Panel Assy. Panel Assy.—Instr. Panel Details	25000-25099 25100-25299 25300-25399 25400-25699 25700-25899 25900-25999 26000-26199 26200-26399 26400-26599 26600-26699 26700-26799 26800-26899 26900-26999 27000-27199	250A00-250A99 251A00-252A99 253A00-253A99 254A00-256A99 257A00-258A99 259A00-259A99 260A00-261A99 262A00-263A99 264A00-265A99 266A00-266A99 267A00-267A99 268A00-268A99 269A00-269A99 270A00-271A99	Rear Door Frame & Pillar Assy. Rear Door Header Rear Door Bottom Rear Door Garnish Moulding Rear Door Glass Open Rear Door Reinf. Rear Door Glass Frame Rear Door Lock Rear Door Handles Open Rear Door Hinge Open Rear Door Regulator
04600-04799 04800-04899 04900-05999 06000-06199 06200-09999 *7010000-7010099 10100-10599 10600-10999 11000-11099 11100-11399 11400-11499 11500-11799 11800-11999 12000-12099	046A00-047A99 048A00-048A99 049A00-059A99 060A00-061A99 062A00-099A99 70100A00-70100A99 101A00-105A99 106A00-109A99 110A00-110A99 111A00-113A99 114A00-114A99 115A00-117A99 118A00-119A99 120A00-120A99	Cigar Lighter Assy. & Instrument Cluster Ash Receptacle Assy. Open Glove Compt. Assy. Open Floor Assembly Floor Side Member Assy. Floor Cross Sill Assy. Under Body Assy. Floor Pan Assembly Floor Pan Silencers & Pads Floor Board Assy. Open Floor Board Riser	27200-27299 27300-27399 27400-27699 27700-27799 27800-28099 28100-28399 28400-28499 28500-28599 28600-28699 28700-28799 28800-28999 29000-29199 29200-29599 29600-29699	272A00-272A99 273A00-273A99 274A00-276A99 277A00-277A99 278A00-280A99 281A00-283A99 284A00-284A99 285A00-285A99 286A00-286A99 287A00-287A99 288A00-289A99 290A00-291A99 292A00-295A99 296A00-296A99	Rear Door Check Rear Door Regulator Vacuum Lift Rear Door Trim Quarter Assy. Quarter Panel Assy. Quarter Lock Pillar Open Quarter Header Quarter Frame Quarter Belt Rail Open Quarter Window Garnish Moulding & Moulding Quarter Reinf. Braces & Brkts. Quarter Window Assy.
12100-12299 12300-12599 12600-12699 12700-12999 13000-13199 13200-13299 13300-13499 13500-13599 13600-13799 14000-14099 14100-14199 14200-14299 14300-19999 *7020000-7020099	121A00-122A99 123A00-125A99 126A00-126A99 127A00-129A99 130A00-131A99 132A00-132A99 133A00-134A99 135A00-135A99 136A00-137A99 140A00-140A99 141A00-141A99 142A00-142A99 143A00-199A99 70200A00-70200A99	Floor Trans. Cover Dust Sealer Open Floor Skid Strip Open Floor Mat & Carpet Floor Scuff Plate Open Floor Tool Box Open Member Assy.—Body Side Front Member Assy.—Body Side Rear Sill Assy.—Floor Pan Cross Front Open Body Side Assembly	29700-29799 29800-29999 7030000-7030199 30200-30299 30300-30499 30500-30699 30700-30799 30800-30999 31000-31499 31500-31599 31600-31899 31900-31999 32000-32199 32200-32399	297A00-297A99 298A00-299A99 70300A00-70301A99 302A00-302A99 303A00-304A99 305A00-306A99 307A00-307A99 308A00-309A99 310A00-314A99 315A00-315A99 316A00-318A99 319A00-319A99 320A00-321A99 322A00-323A99	Quarter Window Glass Quarter Glass Channel Quarter Glass Run Quarter Window Reg. Quarter Vent. Window Quarter Window Regulator Quarter Glass Frame Quarter Arm Rest Ash Receptacle Open Quarter Trim Assy. & Assist Loop Open Qtr. Arm Rest Assy. & Rear Seat Center Arm Rest Quarter Panel Spare Wheel Compt. Open Side Slats—Trim Sticks—Anti-Squeaks
20100-20199 20200-20399 20400-20499 20500-20699 20700-20799 20800-21099 21100-21299 21300-21399 21400-21799 21800-22199 22200-22399 22400-22499 22500-22599 22600-22699	201A00-201A99 202A00-203A99 204A00-204A99 205A00-206A99 207A00-207A99 208A00-210A99 211A00-212A99 213A00-213A99 214A00-217A99 218A00-221A99 222A00-223A99 224A00-224A99 225A00-225A99 226A00-226A99	Front Door Front Door Panel Front Door Pillar Front Door Header Front Door Bottom Front Door Garnish Midg. & Midgs. Front Door Reinf. Open Front Door Glass Front Door Lock Front Door—Glass Frame Front Door Handles Open Front Door Handles—Inside	32400-32499 32500-39999 7040000-7040099 40100-40199 40200-40299 40300-40399 40400-40499 40500-40599 40600-40699 40700-40799 40800-40899 40900-40999 41000-41099 41100-41199	324A00-324A99 325A00-399A99 70400A00-70400A99 401A00-401A99 402A00-402A99 403A00-403A99 404A00-404A99 405A00-405A99 406A00-406A99 407A00-407A99 408A00-408A99 409A00-409A99 410A00-410A99 411A00-411A99	Quarter Folding Compt.—Package Open Back Door Assembly Luggage Compt. Door Assy. Tail Gate Assy. Back Panel Assy. Lift Gate Open Luggage Compt. Door Panel Tail Gate Panel Assy. Back Door Frame Assy. Tail Gate Frame Assy. Back Door Pillar Fillers Open
22700-22799 22800-22899 22900-22999 23000-23099 23100-23399 23400-23499 23500-23599 23600-23699 23700-23999 24000-24199	227A00-227A99 228A00-228A99 229A00-229A99 230A00-230A99 231A00-233A99 234A00-234A99 235A00-235A99 236A00-236A99 237A00-239A99 240A00-241A99	Open Front Door Hinge Front Door Ventilating Window Front Door Dovetail Front Door Regulator Front Door Window Regulator Front Door Check Open Front Door Trim Front Door Arm Rest Hydraulic Window Operating Center Pillar Assy. Rear Door Assy. Rear Door Panels	41200-41299 41300-41399 41400-41599 41600-41699 41700-41899 41900-41999 42000-42199 42200-42299 42300-42499 42500-42599 42600-42699 42700-42899 42900-42999	412A00-412A99 413A00-413A99 414A00-415A99 416A00-416A99 417A00-418A99 419A00-419A99 420A00-421A99 422A00-422A99 423A00-424A99 425A00-425A99 426A00-426A99 427A00-428A99 429A00-429A99	Deck Pillar Group Luggage Compt. & Lift Gate Door Header Open Tail Gate Framing Back Belt Rail Back Door Glass & Framing Back Window Glass Back Window Frame Assy. Back Window Garnish Moulding Back Door Finish Strip—Mouldings Tail Gate Cross Finish Strip Luggage Compt. Hinge Assy.—Lamp Assy. Back Door Hinge & Reinf. Assy.



BUY IT NOW!

Click Here To Order



BODY BASIC NUMBERS AND CORRESPONDING FUNCTIONS (Continued)

BASIC PART NO. SERIES	BASIC SERIES EXPANSION	PARTS WHICH QUALIFY BY FUNCTIONAL AREA	BASIC PART NO. SERIES	BASIC SERIES EXPANSION	PARTS WHICH QUALIFY BY FUNCTIONAL AREA
43000-43099 43100-43149 43150-43199 43200-43399 43400-43499 43500-43699 43700-43799 43800-43899	430A00-430A99 431A00-431A99 431A50-431A99 432A00-433A99 434A00-434A99 435A00-436A99 437A00-437A99 438A00-438A99	Tail Gate Hinge Assy. Back Door Lock Assy. Tail Gate Lock Assy. Luggage Compt. Lock Assy. Back Door Handle Assembly Luggage Compt. Locking Handle Back Door Weatherstrip Luggage Compt. Bumper & Weatherstrip Tail Gate Bumper & Dowel Back Window Regulator Assy. Back Door Check Assy. Luggage Compt. Lid Support—Clamp Open Tail Gate Support	54900-54999 55000-55199 55200-55999 7060000-7060024 60025-60049 60050-60074 60075-60099 60100-60124 60125-60199	549A00-549A99 550A00-551A99 552A00-559A99 70600A00-70600A24 600A25-600A49 600A50-600A74 600A75-600A99 601A00-601A24 601A25-601A99	Roof Ventilator Top Luggage Carrier Open Front Seat Assy. Compt. Less Trim Rear Seat Assy.—Opera Seat Assy. Front Seat Assy. Rear Seat Cushion Assy. Driver's Seat Adjustment Rear Seat Back Assy.—Deck Seat Back Assy. Driver's Seat Back Assy. Comp. Front Seat Cushion Frame Assy. Rear Seat Cushion Framing Aux. Seat Cushion Framing Opera Seat Cushion Framing Driver's Seat Cushion Framing Front Seat Back Framing
43900-43999 44000-44099 44100-44199 44200-44299	439A00-439A99 440A00-440A99 441A00-441A99 442A00-442A99		60200-60299 60300-60499 60500-60799	602A00-602A99 603A00-604A99 605A00-607A99	
44300-44399 44400-44599	443A00-443A99 444A00-445A99		60800-60999 61000-61299	608A00-609A99 610A00-612A99	
44600-44699 44700-44799 44800-44999 45000-45099 45100-45199 45200-45299 45300-45399 45400-45599 45600-45699 45700-45799 45800-45899 45900-45999 46000-46099	446A00-446A99 447A00-447A99 448A00-449A99 450A00-450A99 451A00-451A99 452A00-452A99 453A00-453A99 454A00-455A99 456A00-456A99 457A00-457A99 458A00-458A99 459A00-459A99 460A00-460A99	Back Reinf. Brackets Back Door Reinf. Luggage Compt. Opening Reinf. Tail Gate Reinforcement Luggage Compt. Drain Trough Back Trim Back Curtain Luggage Compt. Trim Luggage Tool Compt. Luggage Compt. Partition Board Luggage Compt. Shelf Board Luggage Compt. Lamp Assy. Luggage Compartment Package Compt. Tool Compt. Deck Step	61300-61399 61400-61499	613A00-613A99 614A00-614A99	Rear Seat Back Frame Rear Seat Side Pillar—Front Seat Side Board Rear Seat Side Panel Front Seat Back Panel Front Seat Adjusting Driver's Seat Adjustment Front Seat Back Reinf. Driver's Back Reinf. Rear Seat Back Reinf. Driver & Passenger Seat Support Rear Seat Legs Front Seat Floor Rest Toe Guard Front Seat Back Robe Cord Front Seat Back Ash Receptacle Front Seat Cushion Cover—Center Seat Opera Seat Cushion
46100-46199 46200-46299	461A00-461A99 462A00-462A99		61500-61599 61600-61699 61700-61899 61900-62099 62100-62299 62300-62399 62400-62499 62500-62599	615A00-615A99 616A00-616A99 617A00-618A99 619A00-620A99 621A00-622A99 623A00-623A99 624A00-624A99 625A00-625A99	
46300-46399 46400-46499 46500-46999 47000-47299 47300-47999 48000-48099 48100-49999 7050000-7050099 50100-50199 50200-50299 50300-50599 50600-50799 50800-51299 51300-51399 51400-51599	463A00-463A99 464A00-464A99 465A00-469A99 470A00-472A99 473A00-479A99 480A00-480A99 481A00-499A99 70500A00-70500A99 501A00-501A99 502A00-502A99 503A00-505A99 506A00-507A99 508A00-512A99 513A00-513A99 514A00-515A99	Back Door Trim Luggage Compt. Trim Package Tray Spare Wheel Compartment Open Rear Rack Assy. Open Roof Assy. Top Assy. Roof Panel Assy. Top Slat Iron Top Operating Mechanism Roof Reinf. Retainers Roof Rail Assembly Top Bow Assy. & Dome Lamp—Brkts. & Att. Parts	63100-63199	631A00-631A99	Front Seat Cushion Spring—Center Seat Opera Seat Cushion Spring Rear Seat Cushion Spring Seat Cushion Pad Seat Cushion Facing Seat Cushion End Pipe Cushion Button Seat Cushion Welt Binding Front Seat Side Carpet Rear Seat Cushion Cover Deck Seat Cushion Cover Driver's Seat Rear Cover Partition Window Operating Mech. Front Seat Back Cushion Cover Seat Back & Pad Assy. Seat Back Division Frame
46600-46699 46700-46799 46800-46999 47000-47299 47300-47999 48000-48099 48100-49999 7050000-7050099 50100-50199 50200-50299 50300-50599 50600-50799 50800-51299 51300-51399 51400-51599	466A00-466A99 467A00-467A99 468A00-469A99 470A00-472A99 473A00-479A99 480A00-480A99 481A00-499A99 70500A00-70500A99 501A00-501A99 502A00-502A99 503A00-505A99 506A00-507A99 508A00-512A99 513A00-513A99 514A00-515A99		63200-63299 63300-63399 63400-63499 63500-63599 63600-63699 63700-63799 63800-63899	632A00-632A99 633A00-633A99 634A00-634A99 635A00-635A99 636A00-636A99 637A00-637A99 638A00-638A99	
46900-46999 47000-47299 47300-47999 48000-48099 48100-49999 7050000-7050099 50100-50199 50200-50299 50300-50599 50600-50799 50800-51299 51300-51399 51400-51599	469A00-469A99 470A00-472A99 473A00-479A99 480A00-480A99 481A00-499A99 70500A00-70500A99 501A00-501A99 502A00-502A99 503A00-505A99 506A00-507A99 508A00-512A99 513A00-513A99 514A00-515A99		64000-64099 64200-64399 64400-64599 64600-64699	640A00-640A99 642A00-643A99 644A00-645A99 646A00-646A99	
51600-51699 51700-51799 51800-51899 51900-51999 52100-52299 52300-52399 52400-52499 52500-52599 52600-52699 52700-52999 53000-53099 53100-53199 53200-53299 53300-53399 53400-53499	516A00-516A99 517A00-517A99 518A00-518A99 519A00-519A99 521A00-522A99 523A00-523A99 524A00-524A99 525A00-525A99 526A00-526A99 527A00-529A99 530A00-530A99 531A00-531A99 532A00-532A99 533A00-533A99 534A00-534A99	Roof Rib & Slats Roof Drip & Finish Moulding Roof Partition Roof Trim Panel Headlining Roof Headlining Support Roof Binding Roof Cardboard Top Back Curtain Open Top Deck & Slide Quarter Top Stack—Toggle Top Landau—Folding Pillar Top Back Curtain Hydraulic Group Top Curtain Container	64700-64799 64800-64899 64900-64999	647A00-647A99 648A00-648A99 649A00-649A99	Front Seat Back Spring—Center Seat Front Seat Back Pad Front Seat Back Cardboard Opera Seat Cardboard Cover Etc., Center Seat Front Seat Back Facing Front Seat Back Trim Rail Front Seat Back Cushion Welt & Mldg. Front Seat Back Wadding Front Seat Back Misc. Trim—Hassock Assy. Front Seat Back Bellows Open Pedestal Seat Open Rear Seat Back Cover Deck Seat Back Cover
51600-51699 51700-51799 51800-51899 51900-51999 52100-52299 52300-52399 52400-52499 52500-52599 52600-52699 52700-52999 53000-53099 53100-53199 53200-53299 53300-53399 53400-53499	516A00-516A99 517A00-517A99 518A00-518A99 519A00-519A99 521A00-522A99 523A00-523A99 524A00-524A99 525A00-525A99 526A00-526A99 527A00-529A99 530A00-530A99 531A00-531A99 532A00-532A99 533A00-533A99 534A00-534A99		65000-65099 65100-65199 65200-65299	650A00-650A99 651A00-651A99 652A00-652A99	
53500-53599 53600-53699 53700-53799 53800-53899 53900-54199 54200-54299 54300-54399 54400-54499 54500-54599 54600-54699	535A00-535A99 536A00-536A99 537A00-537A99 538A00-538A99 539A00-541A99 542A00-542A99 543A00-543A99 544A00-544A99 545A00-545A99 546A00-546A99	Top Side Front Curtain Top Side Rear Curtain Top Covers, Pads and Retainers Quarter Curtain Folding Top Top Back Stay Roof Pads & Wadding—Silencers Top Dust Hood & Container Open Top Folding Compt. Roof Weatherstrip Top Hold Down Strap	64700-64799 64800-64899 64900-64999	647A00-647A99 648A00-648A99 649A00-649A99	
53500-53599 53600-53699 53700-53799 53800-53899 53900-54199 54200-54299 54300-54399 54400-54499 54500-54599 54600-54699	535A00-535A99 536A00-536A99 537A00-537A99 538A00-538A99 539A00-541A99 542A00-542A99 543A00-543A99 544A00-544A99 545A00-545A99 546A00-546A99		65500-65599 65600-65999 66000-66099 66100-66599 66600-66699	655A00-655A99 656A00-659A99 660A00-660A99 661A00-665A99 666A00-666A99	
53500-53599 53600-53699 53700-53799 53800-53899 53900-54199 54200-54299 54300-54399 54400-54499 54500-54599 54600-54699	535A00-535A99 536A00-536A99 537A00-537A99 538A00-538A99 539A00-541A99 542A00-542A99 543A00-543A99 544A00-544A99 545A00-545A99 546A00-546A99		66700-66799 66800-66899	667A00-667A99 668A00-668A99	Rear Seat Back Spring Deck Seat Back Spring Rear Seat Back Pad Deck Seat Back Pad Rear Seat Cardboard Rear Seat Back Facing Rear Seat Back Center Arm Rest Cover Rear Seat Arm Rest Rear Seat Silencer Rear Seat Heelboard
53500-53599 53600-53699 53700-53799 53800-53899 53900-54199 54200-54299 54300-54399 54400-54499 54500-54599 54600-54699	535A00-535A99 536A00-536A99 537A00-537A99 538A00-538A99 539A00-541A99 542A00-542A99 543A00-543A99 544A00-544A99 545A00-545A99 546A00-546A99		66900-66999 67000-67099 67100-67199	669A00-669A99 670A00-670A99 671A00-671A99	
53500-53599 53600-53699 53700-53799 53800-53899 53900-54199 54200-54299 54300-54399 54400-54499 54500-54599 54600-54699	535A00-535A99 536A00-536A99 537A00-537A99 538A00-538A99 539A00-541A99 542A00-542A99 543A00-543A99 544A00-544A99 545A00-545A99 546A00-546A99		67200-67299 67300-67399 67400-67599	672A00-672A99 673A00-673A99 674A00-675A99	

INDIVIDUAL EXPANSION SERIES BECOMES EXHAUSTED OF NUMBERS, ANOTHER SERIES USE OF THE NEXT ALPHABETICAL EXPANSION LETTER SUCH AS "B" THRU "Z".



BUY IT NOW!

[Click Here To Order](#)

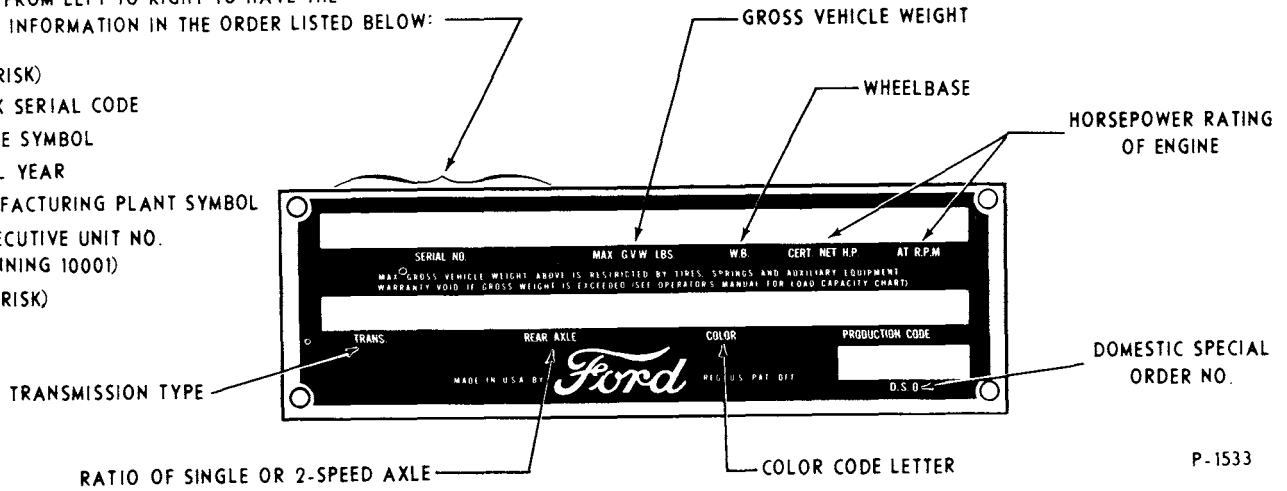


TYPICAL TRUCK RATING PLATE

The Rating Plate is installed on the left front cab pillar or glove box door depending on model. On the Parcel Delivery, it is located on the right hand dash panel.

SERIAL NO. FROM LEFT TO RIGHT TO HAVE THE FOLLOWING INFORMATION IN THE ORDER LISTED BELOW:

- *(ASTERISK)
- TRUCK SERIAL CODE
- ENGINE SYMBOL
- MODEL YEAR
- MANUFACTURING PLANT SYMBOL
- CONSECUTIVE UNIT NO. (BEGINNING 10001)
- *(ASTERISK)



P-1533

The various Rating Plate Codes are shown in detail on the pages indicated below.

CODE	PAGE NUMBER
Assembly Plant	XI
District	XI
Engine	XI
Exterior Paint Body Color	XII
Model Year	XI
Production Date	X
Transmissions	XI
Truck Series and their Related Catalog Symbols	XIII

D.S.O. CODE

The D.S.O. Code is the Domestic Special Order number assigned to a vehicle using some equipment or parts which were not used in regular production.

Always furnish appropriate Rating Plate information when ordering special parts applicable to D.S.O. units.

PRODUCTION DATE CODE

CODE		MONTH	CODE		MONTH
FIRST YEAR	SECOND YEAR		FIRST YEAR	SECOND YEAR	
A	N	January	G	U	July
B	P	February	H	V	August
C	Q	March	J	W	September
		April	K	X	October
		May	L	Y	November
		June	M	Z	December

PLATE OR WARRANTY PLATE CODES, REFER TO PAGES WHICH FOLLOW. ALSO SEE INDEX

100% SATISFACTION GUARANTEED

BUY IT NOW!

Click Here To Order

PayPal, Discover, American Express, MasterCard, VISA

RATING PLATE - CONTINUED

EXTERIOR PAINT BODY COLOR CODES

CODE	PART NO.	COLOR	CODE	PART NO.	COLOR
------	----------	-------	------	----------	-------

1951

A	M-1724	Black	M	M-14283	Meadow Green
B	M-14285	Sheridan Blue	N	M-1722	Vermilion
D	M-14448	Alpine Blue	P		Prime
G	M-14555	Sea Island Green	SS		Special
H	M-14197	Silvertone Gray			

1952

A	M-1724	Black	M	M-14283	Meadow Green
B	M-14285	Sheridan Blue	N	M-1722	Vermilion
D	M-2J-64	Woodsmoke Gray	P		Prime
G	M-2J-66	Glen Mist Green	SS		Special
K	M-2J-16	Sandpiper Tan			

1953

A	M-1724	Black	N	M-1722	Vermilion
B	M-14285	Sheridan Blue	R	M-14283	Meadow Green
C	M-2J-184	Glacier Blue	P		Prime
D	M-2J-64	Woodsmoke Gray	SS		Special
G	M-2J-187	Seafoam Green			

1954

A	M-1724	Black	U	M-14283	Meadow Green
B	M-14285	Sheridan Blue	V	M-2J-358	Goldenrod Yellow
D	M-2J-184	Glacier Blue	P		Prime
H	M-2J-258	Sea Haze Green	SS		Special
R	M-2J-175	Vermilion			

1955

A	M-1724	Black	R	M-2J-175	Torch Red
B	M-2J-346	Banner Blue	U	M-14283	Meadow Green
C	M-2J-347	Aquatone Blue	V	M-2J-358	Goldenrod Yellow
D	M-2J-355	Waterfall Blue	P		Prime
E	M-2J-354	Snowshoe White	SS		Special
G	M-2J-349	Sea Sprite Green			

1956

A	M-1724	Black	U	M-14283	Meadow Green
B	M-2J-521	Nocturne Blue	M	M-2J-531	Golden Glow Yellow
D	M-2J-523	Diamond Blue	H	M-2J-532	Platinum Gray
	M-2J-524	Colonial White	P		Prime
		Green	S		Special



BUY IT NOW!

Click Here To Order



RATING PLATE - CONTINUED

CATALOG MODEL SYMBOLS

CODE			TRUCK SERIES	PARTS CATALOG MODEL SYMBOL	CODE			TRUCK SERIES	PARTS CATALOG MODEL SYMBOL
REGULAR	LIGHT	HEAVY			REGULAR	LIGHT	HEAVY		

1951 - 52

F-1			F-1	Conventional	C	B-5			F-5	School Bus	T
F-2			F-2	Conventional	D	B-6			F-6	School Bus	TH
F-3			F-3	Conventional	Y	F-6			F-6	Conventional	TH
P-3			F-3	Parcel Delivery	J	C-6			F-6	Cab Over Engine	WH
F-4			F-4	Conventional	TL	F-7			F-7	Conventional	Q
F-5			F-5	Conventional	T	F-8			F-8	Conventional	QH
C-5			F-5	Cab Over Engine	W						

1953

F-10			F-100	Conventional	C	C-60			C-600	Cab Forward	WH
F-25			F-250	Conventional	D	F-70			F-700	Conventional	THQ
F-35			F-350	Conventional	Y	B-70			B-700	School Bus	THQ
P-35			P-350	Parcel Delivery	J	F-75			F-750	Conventional	Q
F-50			F-500	Conventional	T	B-75			B-750	School Bus	Q
B-50			B-500	School Bus	T	C-75			C-750	Cab Forward	QW
C-50			C-500	Cab Forward	W	F-80			F-800	Conventional	QH
P-50			P-500	Parcel Delivery	JH	C-80			C-800	Cab Forward	QHW
F-60			F-600	Conventional	TH	F-90			F-900	Conventional	QHS
B-60			B-600	School Bus	TH						

1954 - 55

F-10			F-100	Conventional	C	F-70	F-71		F-700	Conventional	Z
F-25			F-250	Conventional	D	B-70			B-700	School Bus	Z
F-35			F-350	Conventional	Y	C-70	C-71		C-700	Cab Forward	ZW
P-35			P-350	Parcel Delivery	J	T-70	T-71		T-700	Tandem Axle	Q,Z
F-50			F-500	Conventional	T	F-75	F-76		F-750	Conventional	Q
B-50			B-500	School Bus	T	B-75			B-750	School Bus	Q
C-50			C-500	Cab Forward	W	C-75	C-76		C-750	Cab Forward	QW
P-50			P-500	Parcel Delivery	JH	F-80	F-81		F-800	Conventional	QH
F-60	F-61		F-600	Conventional	TH	C-80	C-81		C-800	Cab Forward	QHW
B-60			B-600	School Bus	TH	T-80	T-81		T-800	Tandem Axle	QH
C-60	C-61		C-600	Cab Forward	WH	F-90	F-91		F-900	Conventional	QHS
P-60	P-61		P-600	Parcel Delivery	SPECIAL ORDER	C-90	C-91		C-900	Cab Forward	QSW

1956

F-10	F-11		F-100	Conventional	C	B-70	B-71		B-700	School Bus	Z
F-25	F-26		F-250	Conventional	D	C-70	C-71		C-700	Cab Forward	ZW
F-35	F-36		F-350	Conventional	Y	T-70	T-71		T-700	Tandem Axle	Q,Z
P-35	P-36		P-350	Parcel Delivery	J	F-75	F-76		F-750	Conventional	Q
F-50	F-51		F-500	Conventional	T	B-75	B-76		B-750	School Bus	Q
B-50	B-51		B-500	School Bus	T	C-75	C-76		C-750	Cab Forward	QW
C-50	C-51		C-500	Cab Forward	W	T-75	T-76		T-750	Tandem Axle	QH
P-50	P-51		P-500	Parcel Delivery	JH	F-80	F-81		F-800	Conventional	QH
F-60	F-61	F-63	F-600	Conventional	TH	C-80	C-81		C-800	Cab Forward	QHW
B-60			B-600	School Bus	TH	T-80	T-81	T-84	T-800	Tandem Axle	QH
C-60			C-600	Cab Forward	WH	F-90	F-91		F-900	Conventional	QHS
P-60			P-600	Parcel Delivery	SPECIAL ORDER	C-90	C-91		C-900	Cab Forward	QSW
				Conventional	Z						

100% SATISFACTION GUARANTEED

BUY IT NOW!

Click Here To Order

PayPal, Discover, American Express, MasterCard, VISA

† Catalog model symbol is not included in rating plate.

ABBREVIATIONS

&..... and	ft..... foot	rad..... radiator
accel..... accelerator	f/wheel..... flywheel	recirc..... recirculating
adapt..... adapter	F/ward..... Forward	reinf..... reinforcement
adj..... adjusting-adjustment	gal..... gallon	repl..... replaced
alum..... aluminum	gen..... generator	req'd..... required
amp..... ampere	gov..... governor	ret..... retainer
approx..... approximately	G. V. W..... gross vehicle weight	R. H..... right hand
AR..... as required	H1, H2, H4..... Holley 1, 2 or 4 barrel	R. P. M..... revolutions per minute
ass'y..... assembly	hd..... head	rr..... rear
aux..... auxiliary	H/D..... heavy duty	R/R..... roadranger
2/B..... 2 barrel	hel..... helical	r/wheels..... rear wheels
4/B..... 4 barrel	hex..... hexagon	S/B..... school bus
BBC..... bumper to back of cab	H/D R/R..... heavy duty roadranger	second..... secondary
brg..... bearing	hsg..... housing	s/member..... sidemember
brkt..... bracket	H/V..... hydraulic vacuum	spec..... special
C2, C4..... Carter 2 or 4 barrel	hyd..... hydraulic	S/E, Spec. Econ..... Special Economy
cap..... capacity	I. D..... inside diameter	speedo..... speedometer
carb..... carburetor	instr., instru..... instrument	spg..... spring
c/member..... crossmember	inter..... intermediate	sq..... square
conn..... connection	"L"..... left	s/ring..... snap ring
Conv..... Conventional	lb..... pound	std..... standard
cov., cvr..... cover	L/D..... light duty	S/T..... standard transmission
CP..... candle power	L. H..... left hand	suppt..... support
c/pin..... cotter pin	LHD..... left hand drive	syn..... synthetic
c/shaft..... crankshaft	lub..... lubricator	T/A..... tandem axle
ctr..... center	l/w, l/washer..... lockwasher	T/C, T/Cab..... Tilt Cab
cyl..... cylinder	lwr..... lower	T/M..... Transmatic
D/D..... direct drive	man..... manifold	trans..... transmission
defl..... deflector	MA/D..... Maximum duty	T/T..... Tractor Trailer
dia., diam..... diameter	M/D..... medium duty	U. D., U/D..... under drive
diaph..... diaphragm	m. m..... millimeter	u/joint, u/jt..... universal joint
disp..... displacement	mtg..... mounting	u/s..... undersize
dist..... distributor	mtr..... motor	vac..... vacuum
ea..... each	No..... number	vent..... ventilation
E/H/D..... extra heavy duty	O. D..... outside diameter	vlv..... valve
eng..... engine	O/D..... overdrive	w/..... with
ext..... extension	o/s..... oversize	wash..... washer
F2, F4..... Ford 2 or 4 barrel	park..... parking	w/b, W/B..... wheelbase
F/axle..... forward axle	pass..... passenger	W/G..... with governor
der..... der	pcs..... pieces	w/out, w/o..... without
ter..... ter	P/D..... Parcel Delivery	w/s, w/shield..... windshield
atic..... atic	P/S..... power steering	X..... exclusive
nt..... nt	P. T. O..... Power Take Off	X/C..... extra cooling
qty..... quantity	qt..... quart	X/H/D..... exclusive heavy duty
"R"..... right	rad..... radiator	X/H/D R/R..... exclusive heavy duty
	recirc..... recirculating	roadranger



BUY IT NOW!

Click Here To Order

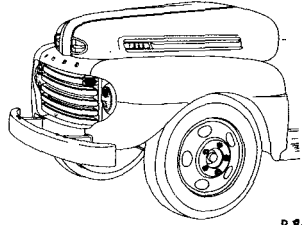
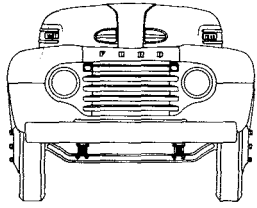


FORD TRUCK PARTS

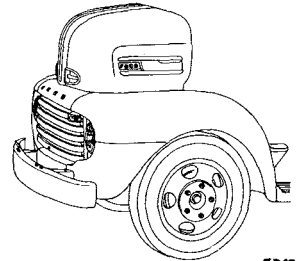
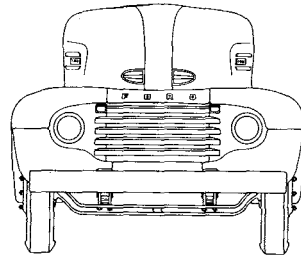
1948-50

MODEL IDENTIFICATION

XV



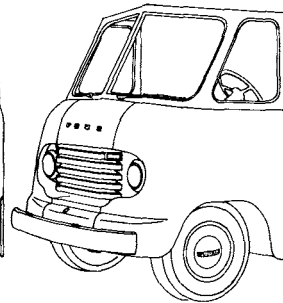
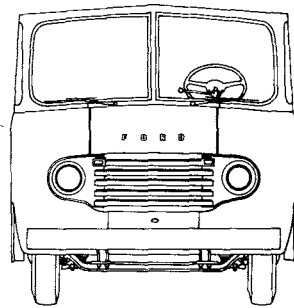
P-848



P-849

CONVENTIONAL

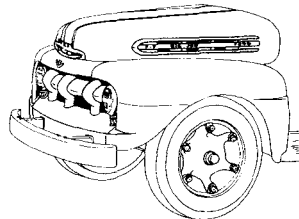
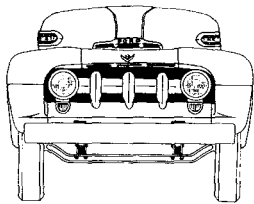
CAB OVER ENGINE



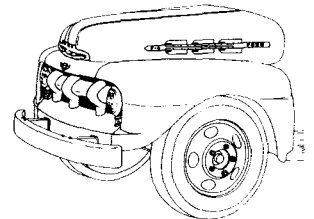
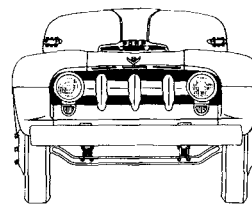
P-1034

PARCEL DELIVERY

1951



P-1227

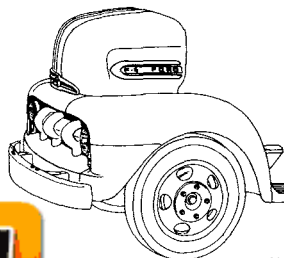
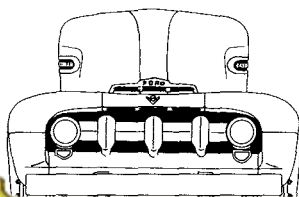


P-1226

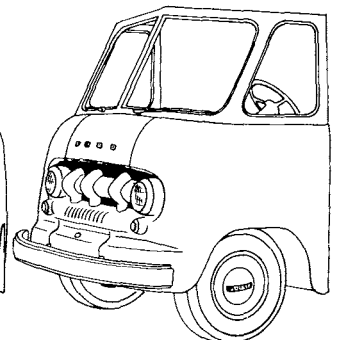
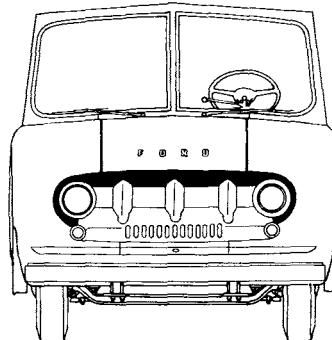
DELUXE CAB

CONVENTIONAL

STANDARD CAB



P-1228



P-1229

DELUXE CAB

PARCEL DELIVERY



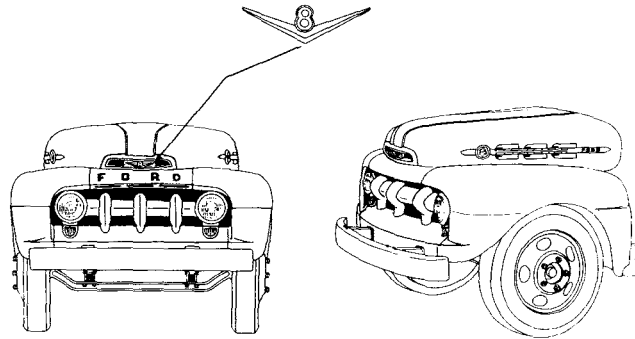
BUY IT NOW!

Click Here To Order



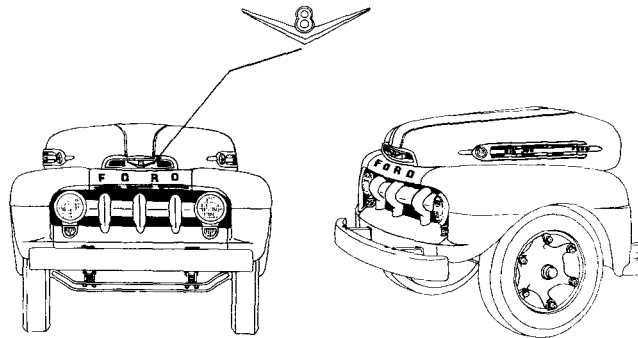
FORD TRUCK PARTS

1952



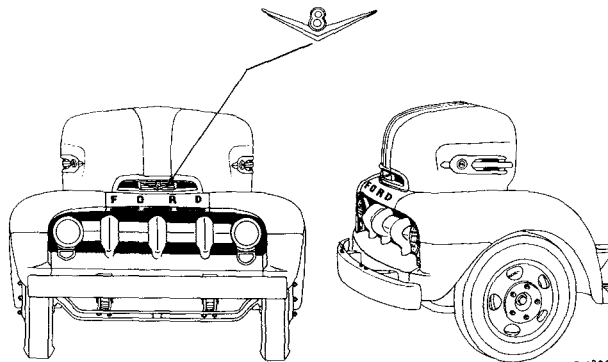
P-1331

CONVENTIONAL - STANDARD CAB



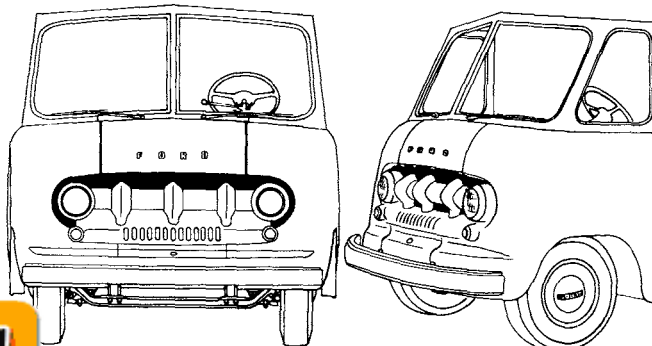
P-1332

CONVENTIONAL - DELUXE CAB



P-1333

CAB OVER ENGINE - DELUXE CAB



P-1229

PARCEL DELIVERY



BUY IT NOW!

[Click Here To Order](#)



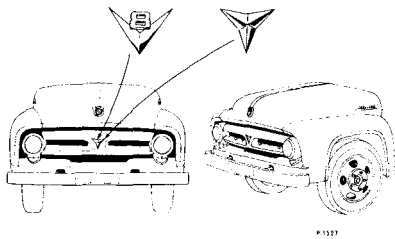
FORD TRUCK PARTS

1953

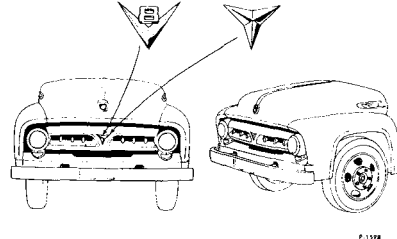
SERIES 100 THRU 600

MODEL IDENTIFICATION

XVII.

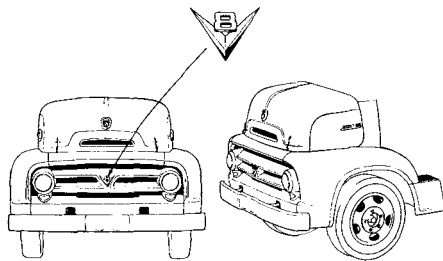


STANDARD CAB



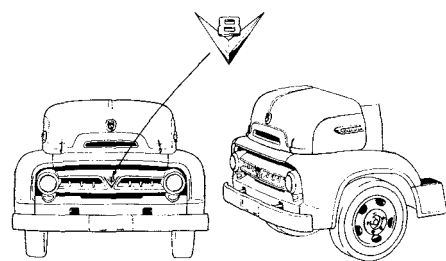
CONVENTIONAL

DELUXE CAB

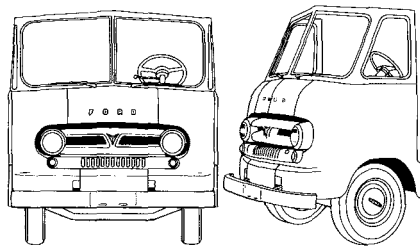


STANDARD CAB

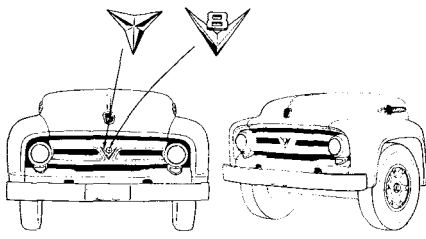
CAB FORWARD



DELUXE CAB

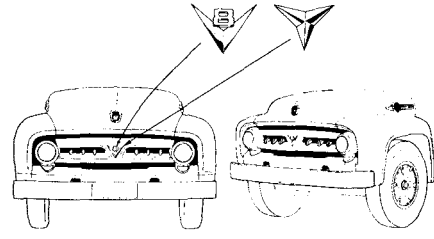


PARCEL DELIVERY
SERIES 700 THRU 900



STANDARD CAB

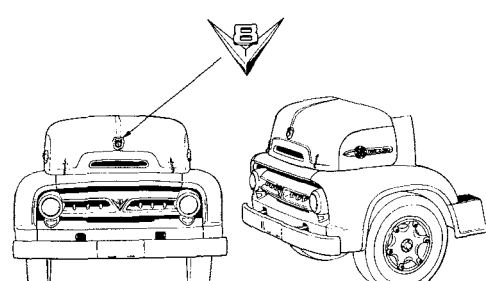
CONVENTIONAL



DELUXE CAB



CAB FORWARD



DELUXE CAB



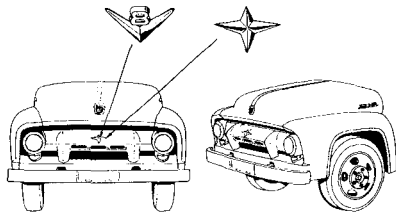
BUY IT NOW!

Click Here To Order



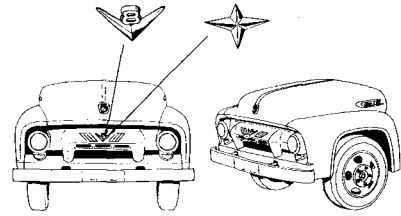
MODEL IDENTIFICATION

FORD TRUCK PARTS
1954
SERIES 100 THRU 600



P-1687

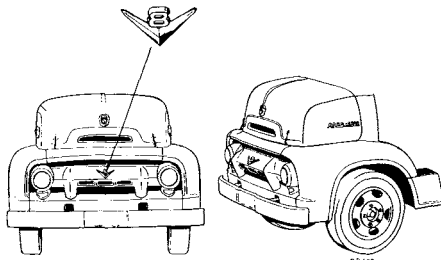
STANDARD CAB



P-1688

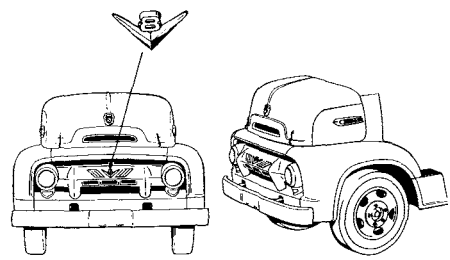
DELUXE CAB

CONVENTIONAL



P-1689

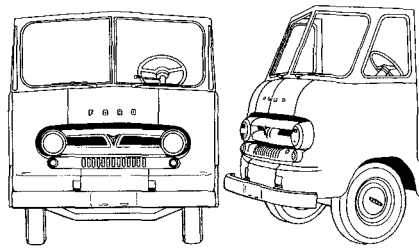
STANDARD CAB



P-1690

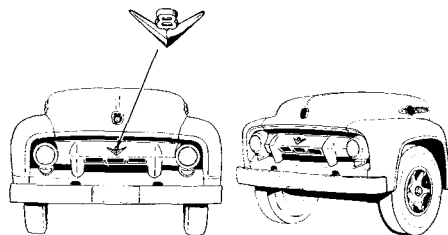
DELUXE CAB

CAB FORWARD



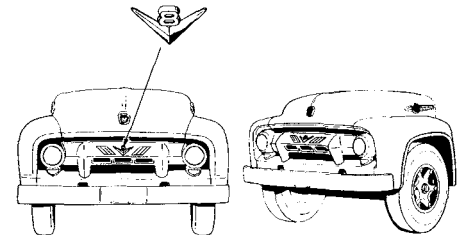
P-1692

PARCEL DELIVERY
SERIES 700 THRU 900



P-1693

STANDARD CAB



P-1693

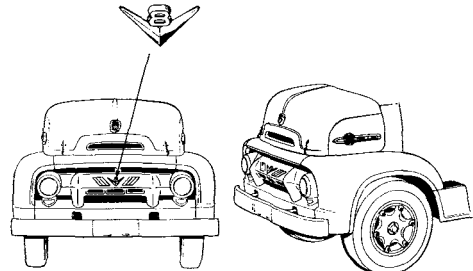
DELUXE CAB

CONVENTIONAL



P-1694

CAB



P-1695

DELUXE CAB

CAB FORWARD



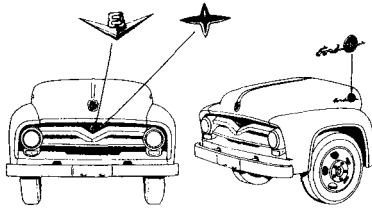
BUY IT NOW!

Click Here To Order



FORD TRUCK PARTS
1955
SERIES 100 THRU 600

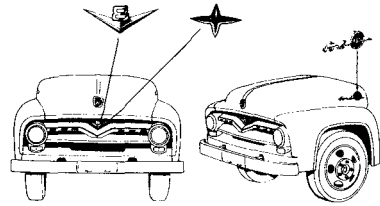
MODEL IDENTIFICATION



P-1895

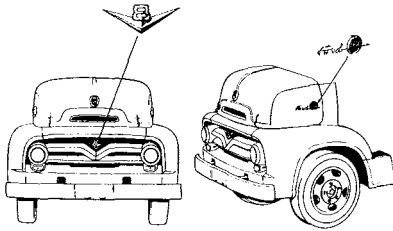
STANDARD CAB

CONVENTIONAL



P-1896

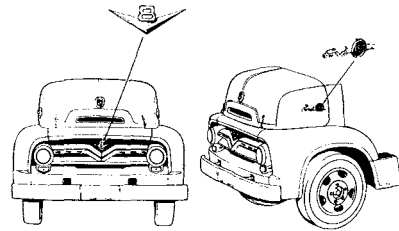
CUSTOM CAB



P-1897

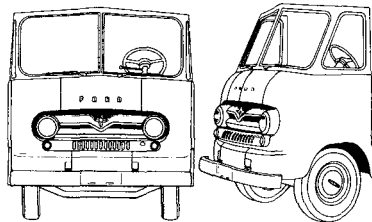
STANDARD CAB

CAB FORWARD



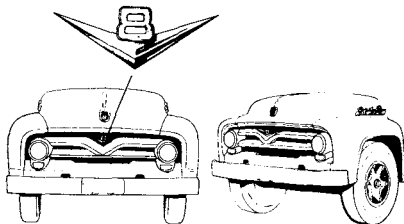
P-1898

CUSTOM CAB



P-1899

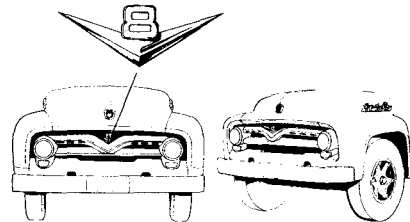
PARCEL DELIVERY
SERIES 700 THRU 900



P-1900

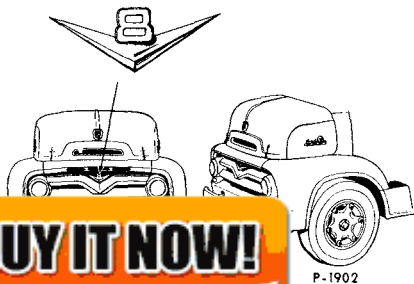
STANDARD CAB

CONVENTIONAL



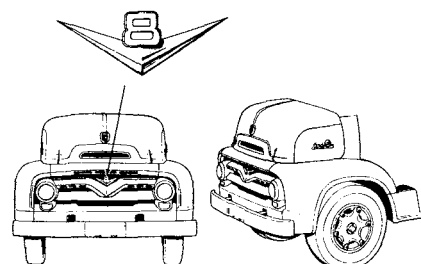
P-1901

CUSTOM CAB



P-1902

CAB FORWARD



P-1903

CUSTOM CAB



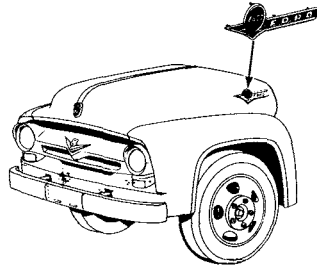
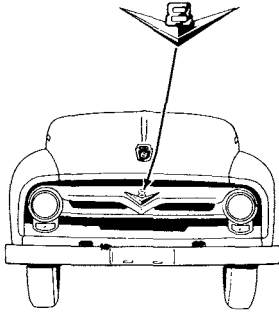
BUY IT NOW!

Click Here To Order



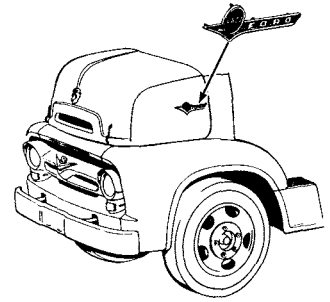
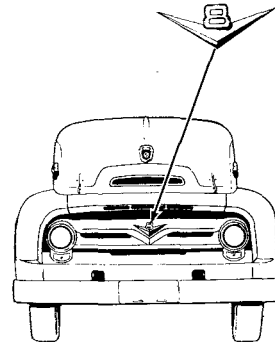
**FORD TRUCK PARTS
1956**

SERIES 100 THRU 600



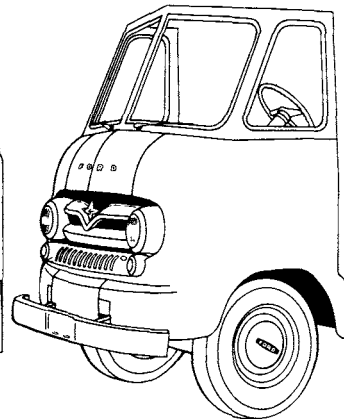
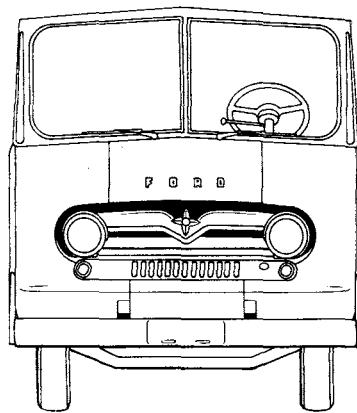
P-2060

CONVENTIONAL



P-2061

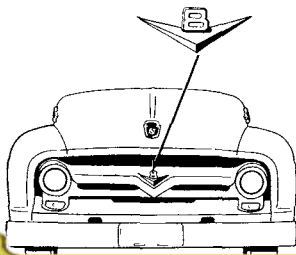
CAB FORWARD



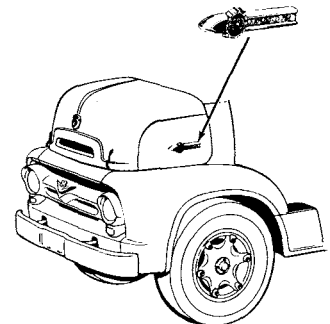
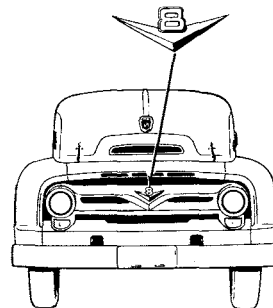
P-1828

PARCEL DELIVERY

SERIES 700 THRU 900



P-2081



P-2082

CAB FORWARD



BUY IT NOW!

Click Here To Order



INDEX

YEAR	TITLE	ILLUSTRATION NO.	SECTION NO.	PAGE NO.
ILLUSTRATION SECTION 10 - WHEELS, HUBS and DRUMS				
1948/	Disc type rear dual wheels-Typical-For Tubeless Tires	P-2474	10	10
1948/55	Front disc wheel & related parts-Models Q, Z	P-1390	10	7
1948/55	Front disc wheel & related parts- Models QH, QW, QHW	P-1387	10	8
1956/	Front disc wheel & related parts-Typical-Models Q, QH, QHS, QW, QHW, QSW, Z, ZW	P-2052	10	8
1950/55	Front spoke wheel & related parts- For Tube Tires-Models Q, Z	P-1185	10	9
1950/55	Front spoke wheel & related parts- For Tube Tires-Models QH, QW, QHW, ZW	P-1388	10	9
1956/	Front spoke wheel & related parts-Typical-For Tubeless Tires-Models QH, QW, QHW, ZW	P-2051	10	10
1948/56	Front wheel & related parts-Typical- Model J	P-932	10	4
1948/52	Front wheel & related parts-Models C, D, Y	P-672	10	3
1953/	Front wheel & related parts-Typical- Model C	P-1381	10	3
1953/	Front wheel & related parts-Typical- Model D	P-1382	10	4
1956/	Front wheel & related parts-Models JH, T (1956 Model W)	P-2004	10	6
1956/	Front wheel & related parts-Model TH (1956 Model WH)	P-2005	10	6
1953/56	Front wheel & related parts-Typical- Model Y	P-1384	10	5
Typical	Front wheel & related parts- Model Y-dual rear wheels	P-2003	10	5
1948/55	Front wheel & related parts-Typical- Models JH, T, TH, W, WH	P-649	10	7
1950/55	Rear spoke wheel & related parts- For Tube Tires-Models QH, QHW	P-1186	10	11
1956/	Rear spoke wheel & related parts- For Tubeless Tires-Models QH, QHW	P-2053	10	11

ILLUSTRATION SECTION 14 - SPARE WHEEL CARRIERS

1953/55	Spare wheel carrier- Model C	P-1538	14	13
Typical	Spare wheel carrier (1948/ Model D), (1948/52 Model Y)	P-676	14	12
Typical	Spare wheel carrier (1953/55 Models TH, WH), (1953/ Models JH, Y, T, W)	P-1539	14	13
Typical	Spare wheel carrier-Dump Truck type	P-1540	14	14
1953/55	Spare wheel carrier- Models Q, QH, QHS, QW, QHW, QSW, Z, ZW	P-1541	14	14
Typical	Spare wheel carrier (1948/52 & 1956/)- Models Q, QH, QHS, QW, QHW, QSW, Z, ZW	P-675	14	12

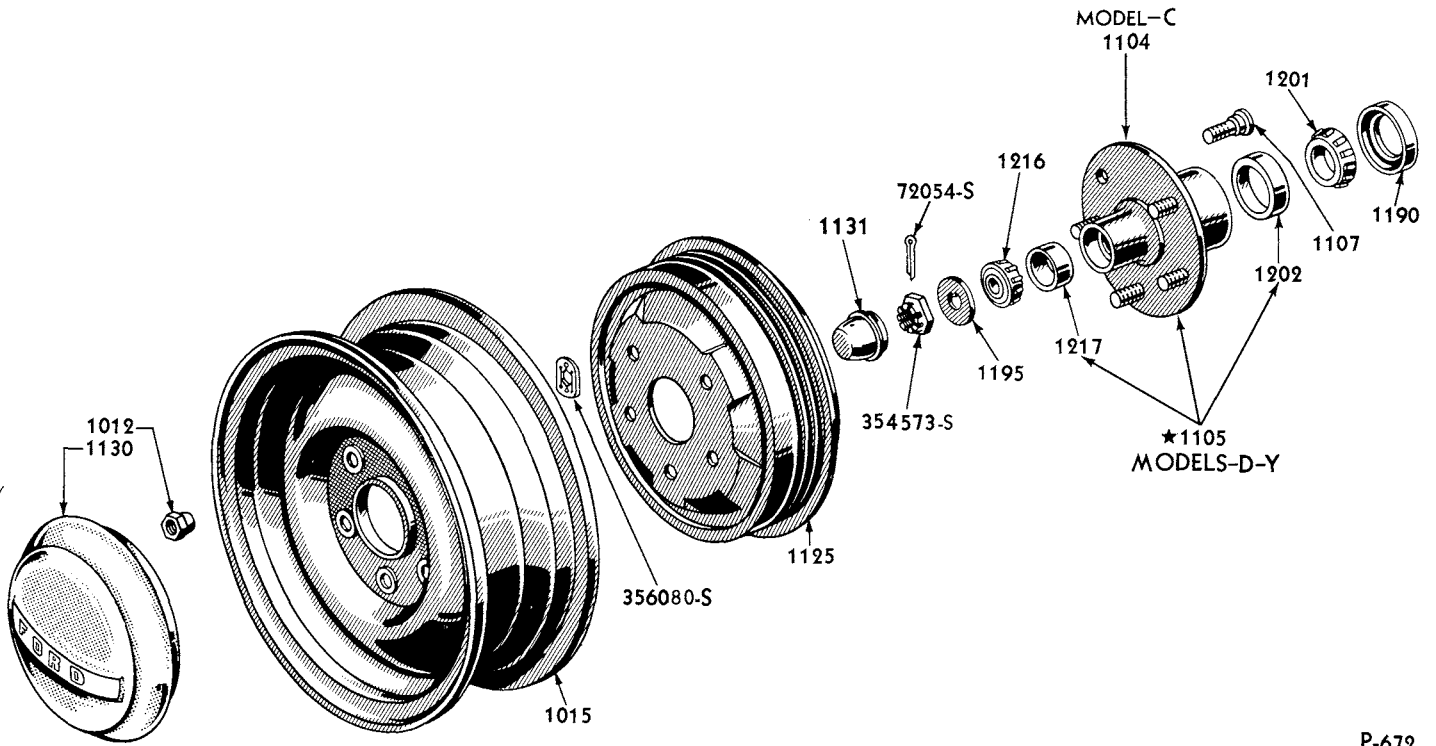
ILLUSTRATION SECTIONS 21, 23, 24 and 26 - BRAKE SYSTEM

1948/55	Front brake-Typical- Models THQ, Q, Z	P-568	21	23
1949/55	Front & rear air brakes- Models QH, QHS, QHW, QSW	P-1035	21	26
1956/	Front and rear air brakes-Typical-Models Q, QH, QHS, QW, QHW, QSW, Z, ZW	P-2062	21	30
1953/	Front brake-Typical-Models JH, T, TH, W, WH, Q	P-3718	21	27
1948/	Front & rear brakes-Typical- Model C	P-678	21	22
1948/51	Front & rear brakes- Model D	P-688	21	23
1948/52	Front & rear brakes- Models JH, T, TH, W, WH	P-1215	21	24
1953/	Front & rear brakes-Typical- Models D, J, JL, Y	P-1544	21	25
1948/51	Front & rear brakes- Model Y	P-689	21	24
1956/	Rear brake (except 15" x 4 1/2")-Models Z, ZW	P-2064	21	29
1948/55	Rear brake-Models Q, QH, QHS, QHW, Z, ZW	P-690	21	28
1956/	Rear brake (unequal length springs)- Models Q, QH, #QH, QHS, QW, QHW, QSW	P-2064	21	29
1948/49	Rear brake (single cylinder type)- Model Q	P-674	21	28
1953/	Rear brake-Typical-Models JH, T, TH, W, WH, Q	P-3719	21	29
1948/52	Front & rear brake cylinders- Model J	P-934	21	31
	Front & rear brake cylinders- Models Q, QH, QHS, QW, QHW, QSW, Z, ZW	P-656	21	32
Typical	Rear brake cylinder- Models T, TH, THZ, W, WH, WHZ	P-1424	21	32
	Front brake cylinder-Models D, Y (1953/ Model J)	P-1254	21	31
	Front brake cylinder- Models T, TH, THZ, W, WH, WHZ	P-1423	21	32

100% SATISFACTION GUARANTEED

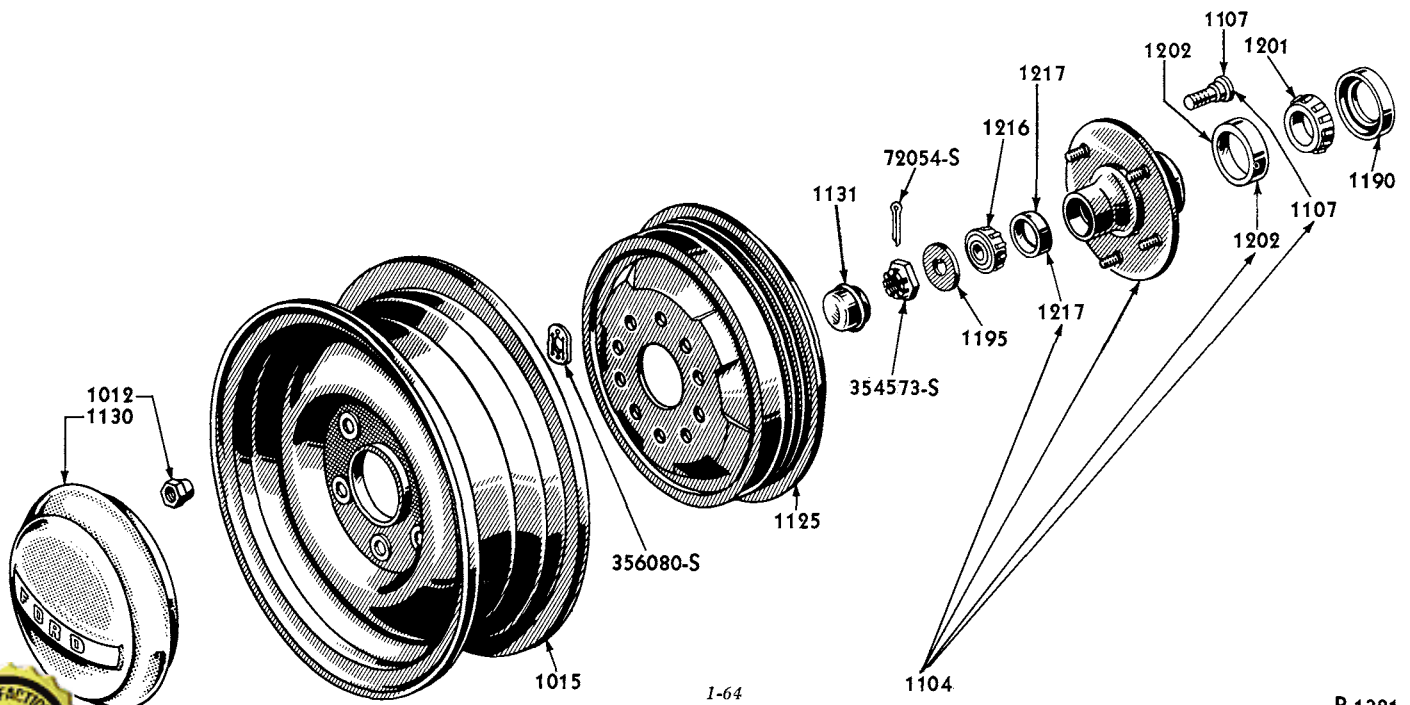
BUY IT NOW!

Click Here To Order



P-672

1948/52 FRONT WHEEL & RELATED PARTS (MODELS C, D, Y)



P-1381

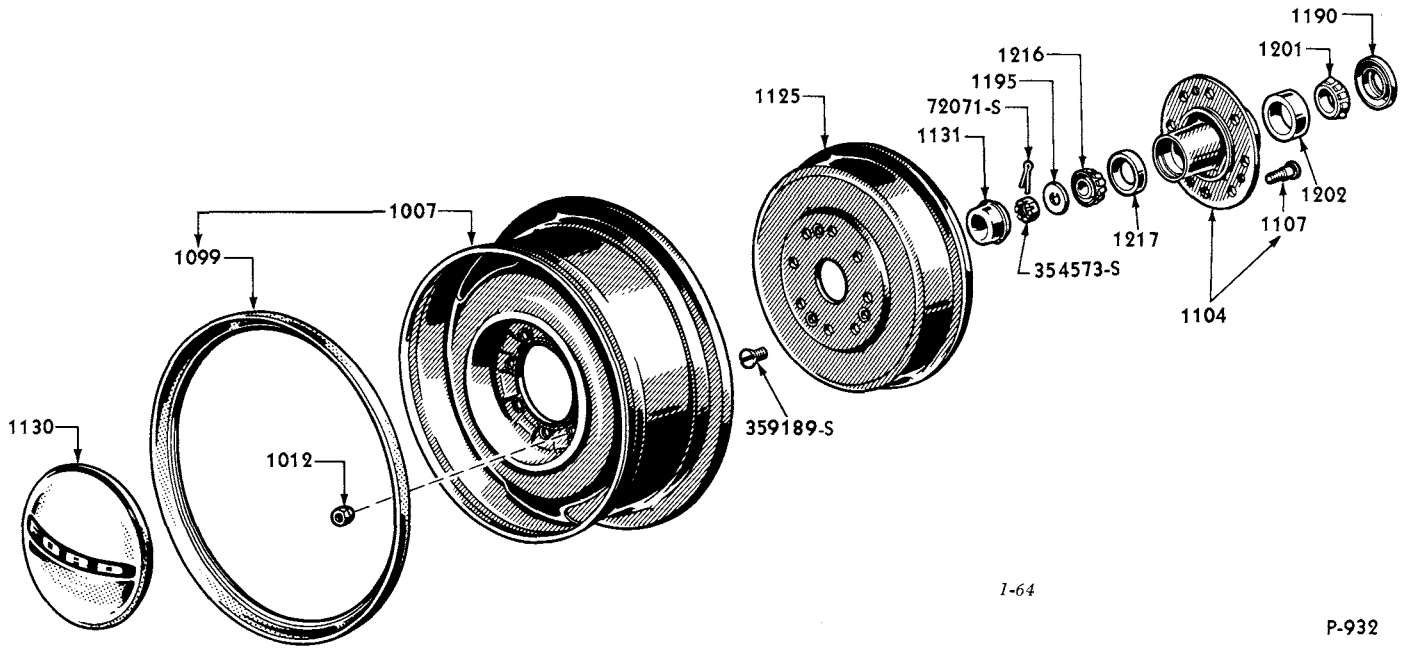
TYPICAL FRONT WHEEL & RELATED PARTS (MODEL C)



BUY IT NOW!

Click Here To Order

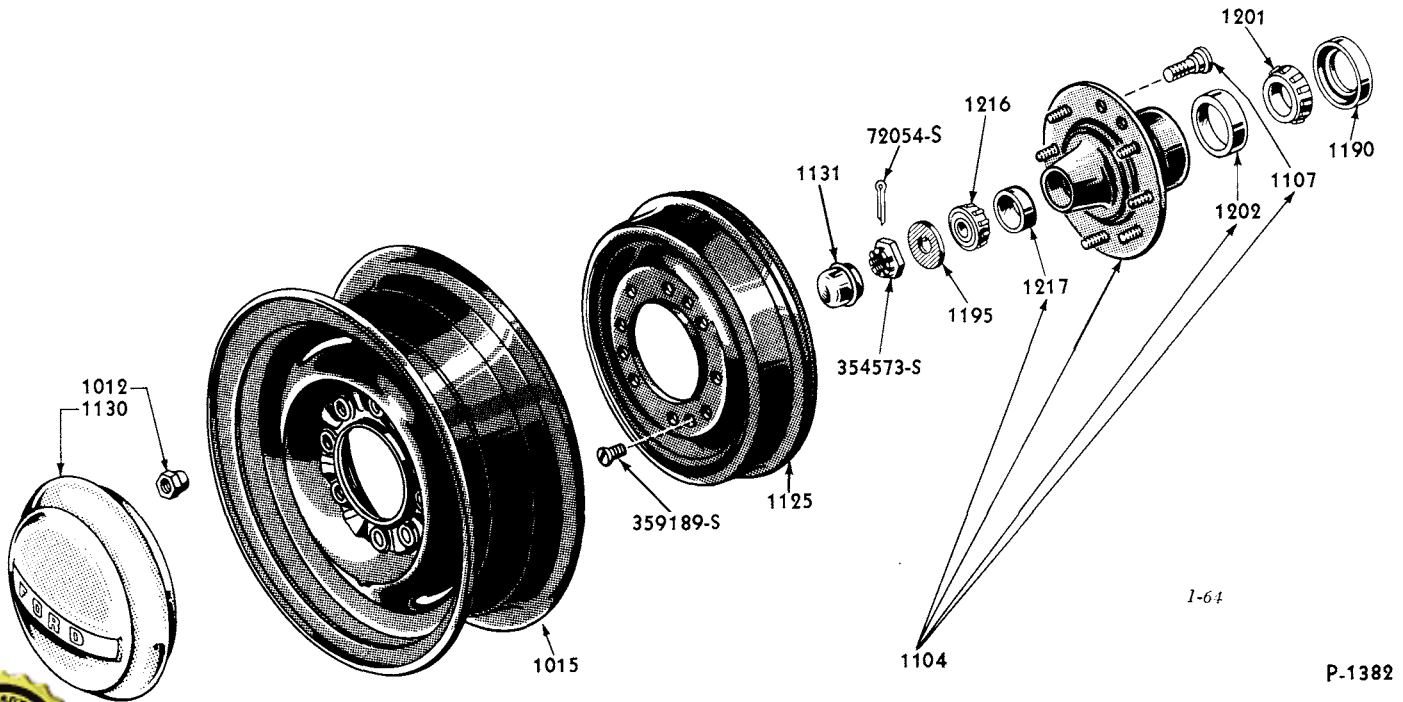




I-64

P-932

1948/56 "TYPICAL" FRONT WHEEL & RELATED PARTS (MODEL J)



I-64

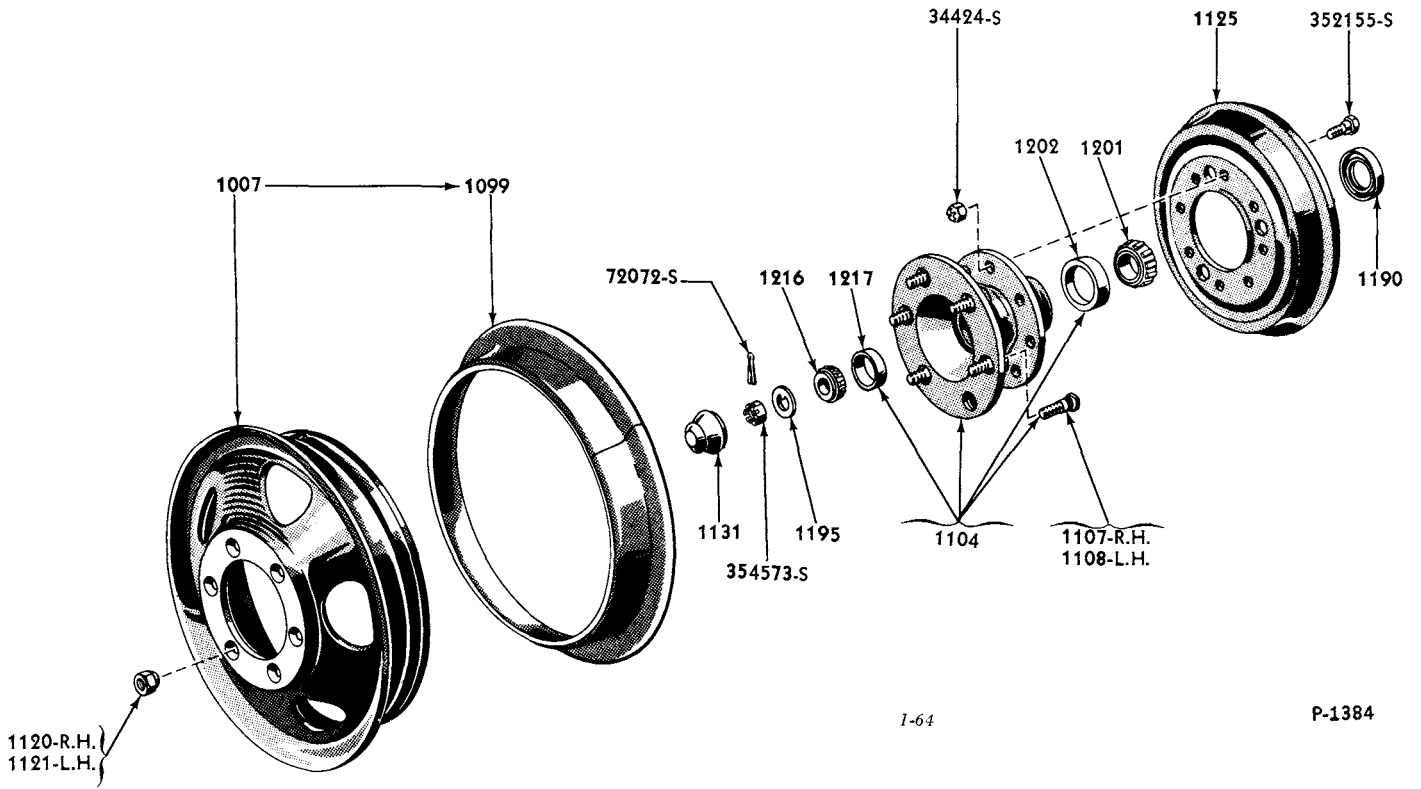
P-1382

"TYPICAL" FRONT WHEEL & RELATED PARTS
1953/ MODEL D

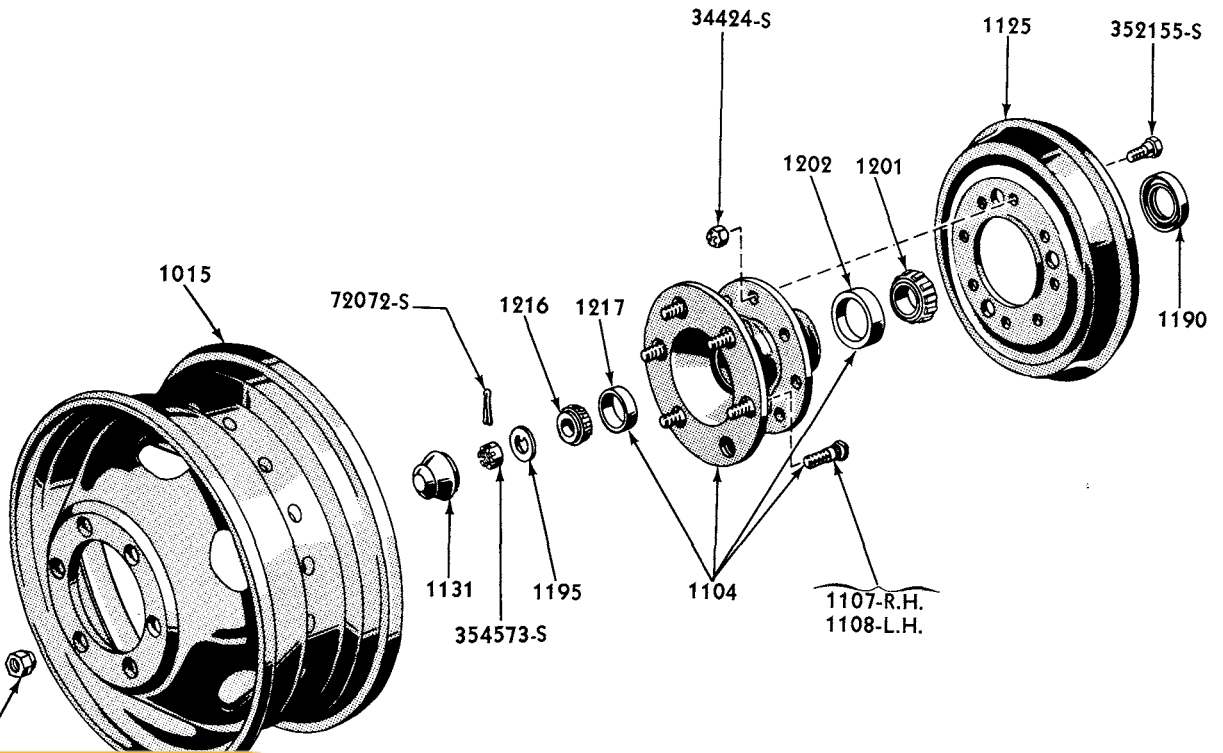
100% SATISFACTION GUARANTEED

BUY IT NOW!

Click Here To Order



1953/56 "TYPICAL" FRONT WHEEL & RELATED PARTS (MODEL Y)



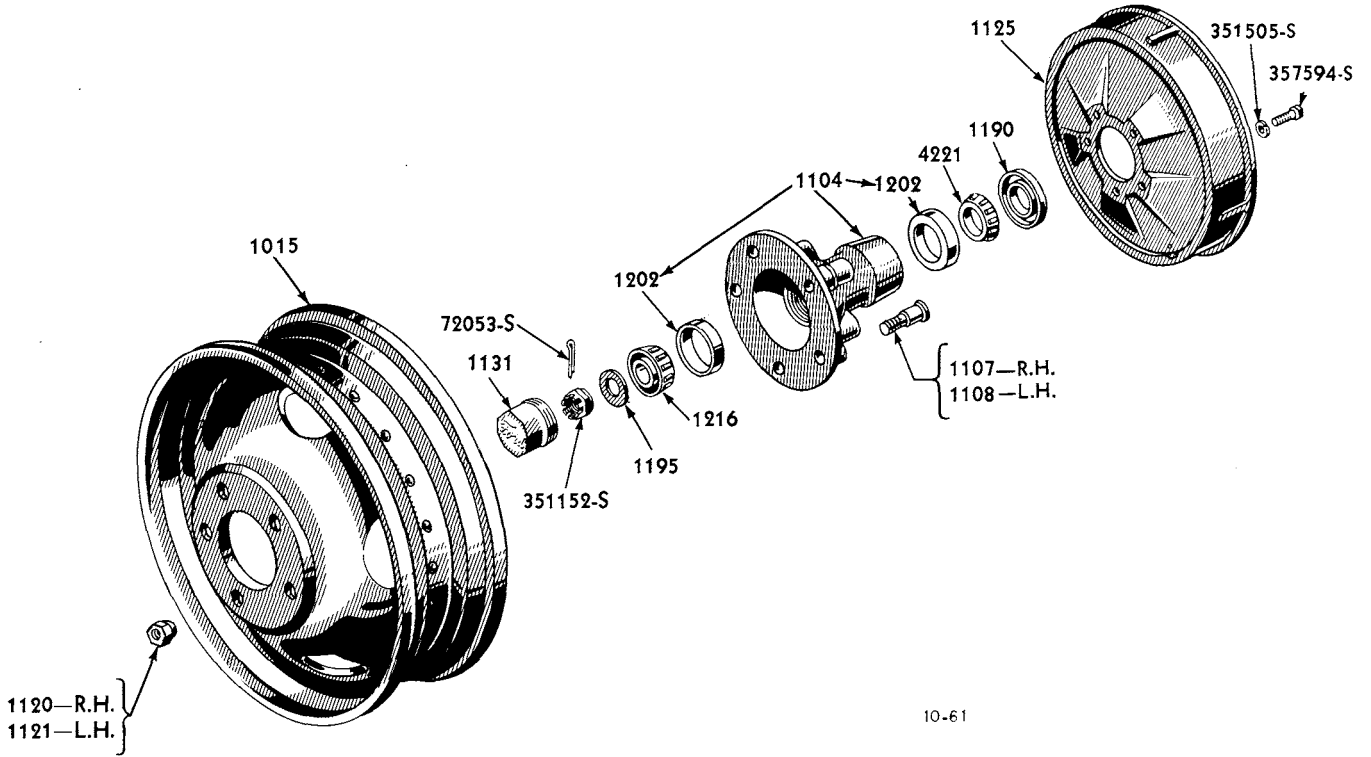
1953/56 "TYPICAL" DUAL REAR WHEEL & RELATED PARTS (MODEL Y) - DUAL REAR WHEELS



BUY IT NOW!

Click Here To Order

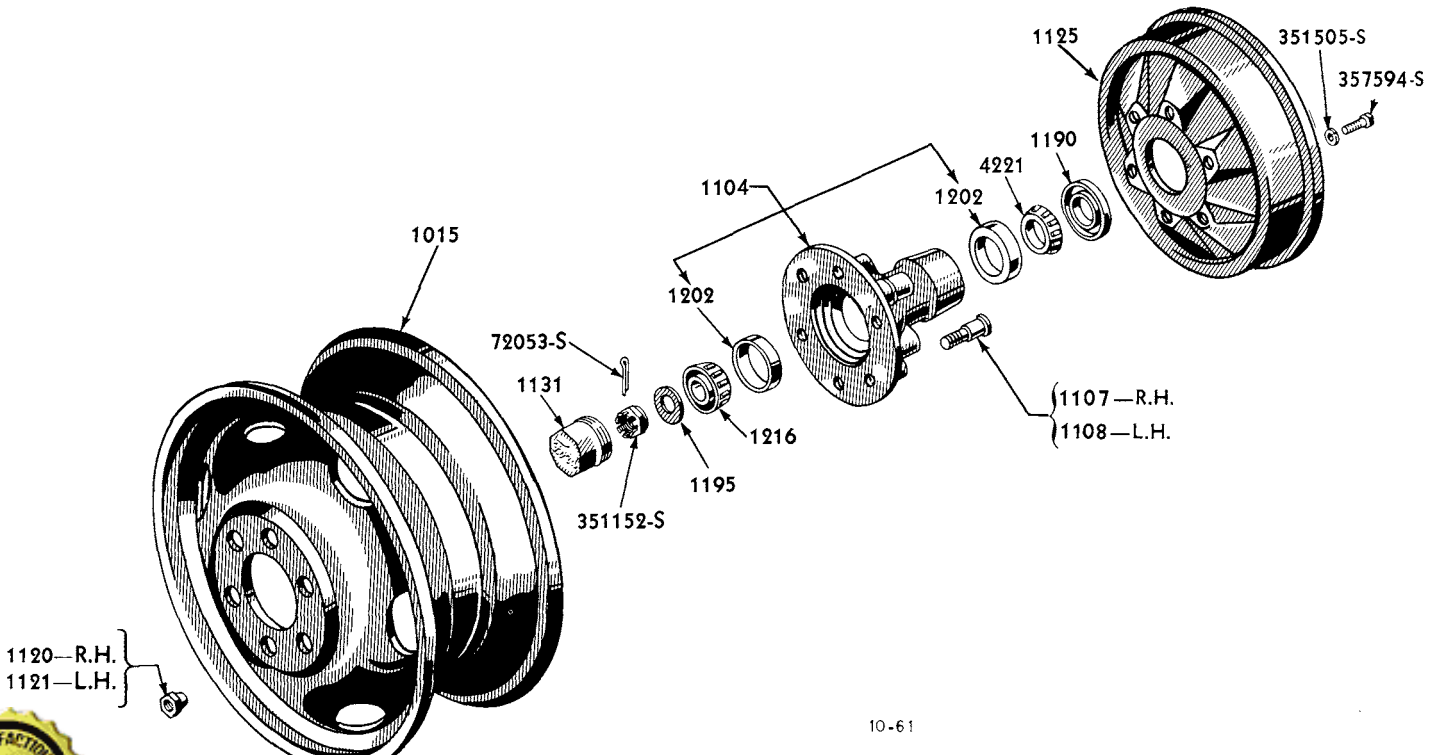




10-61

P-2004

"TYPICAL" FRONT WHEEL AND RELATED PARTS
1956 MODEL W 1956/ MODELS JH, T



10-61

P-2005

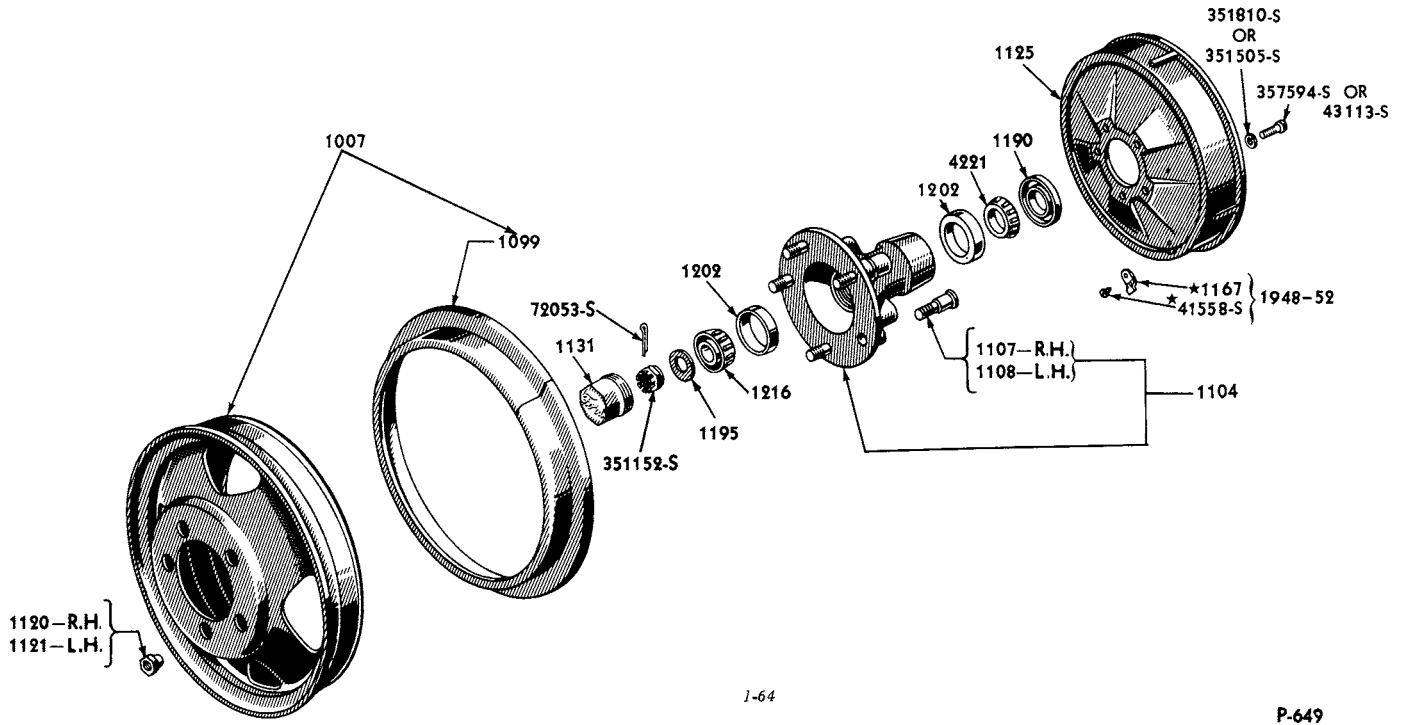
"TYPICAL" FRONT WHEEL AND RELATED PARTS
1956 MODEL WH 1956/ MODEL TH



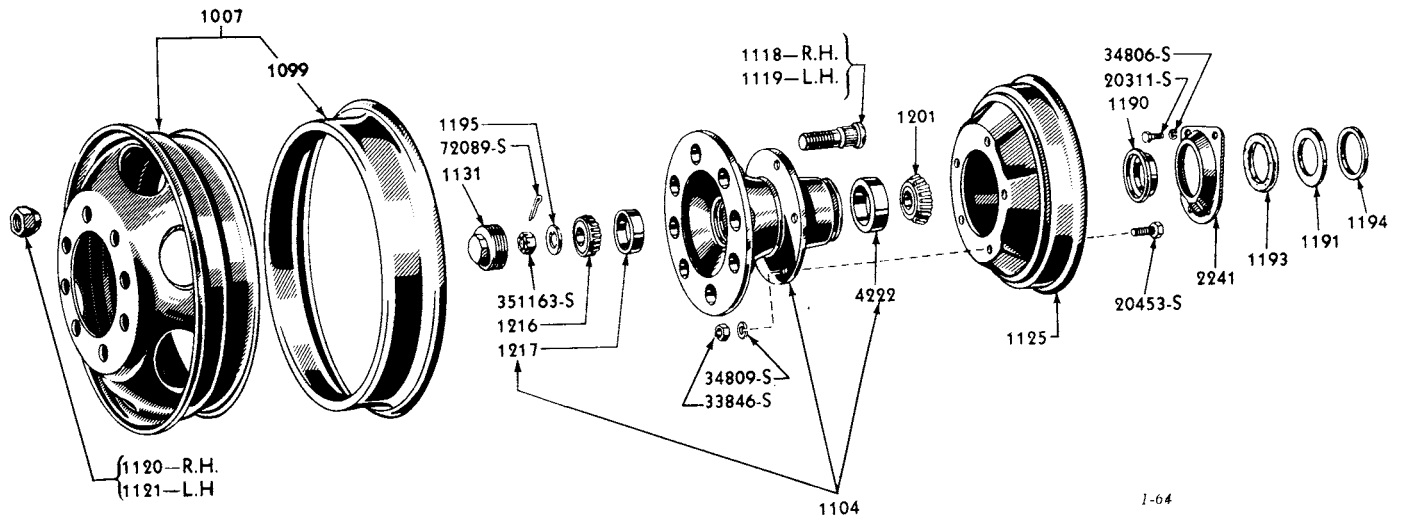
BUY IT NOW!

Click Here To Order





1948/55 "TYPICAL" FRONT WHEEL & RELATED PARTS (MODELS JH, T, TH, W, WH)



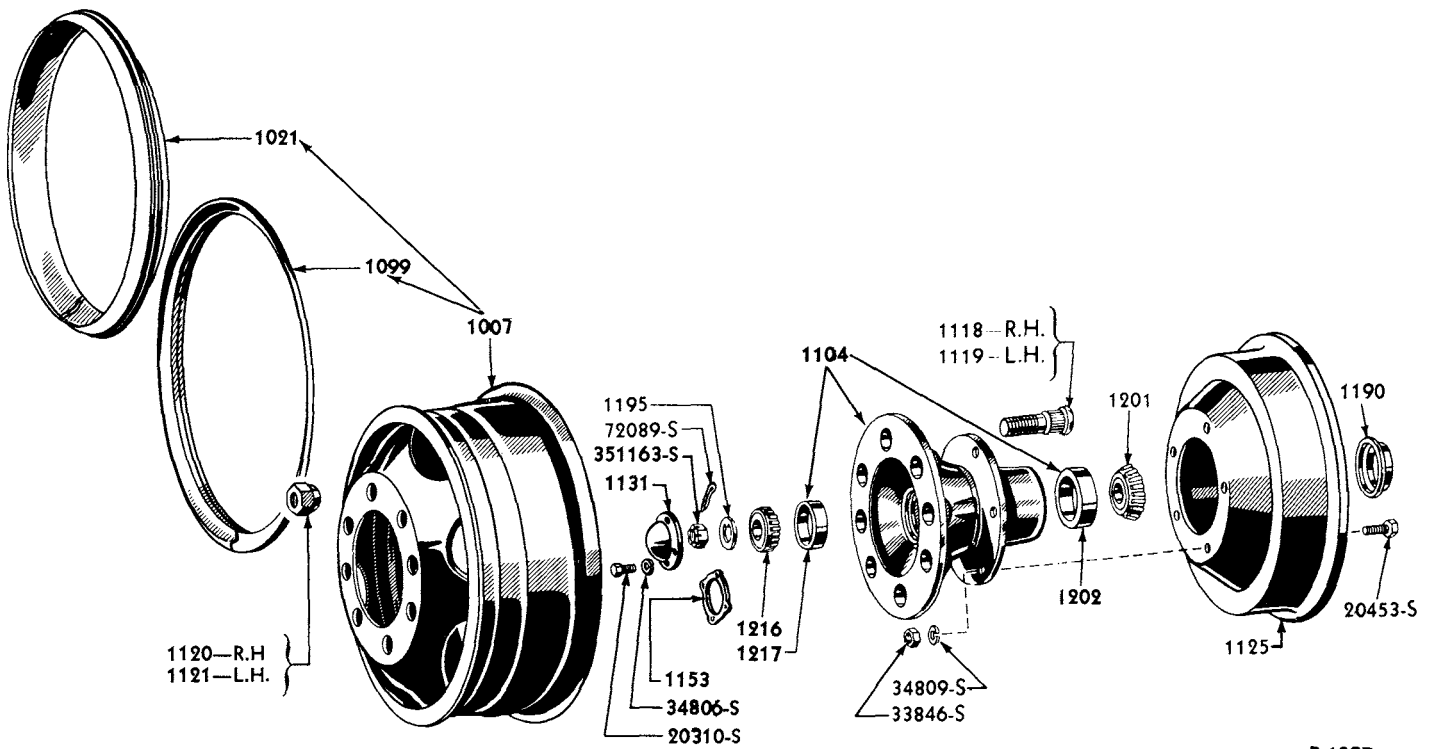
100% SATISFACTION GUARANTEED

BUY IT NOW!

Click Here To Order

PayPal, American Express, Discover, MasterCard, VISA

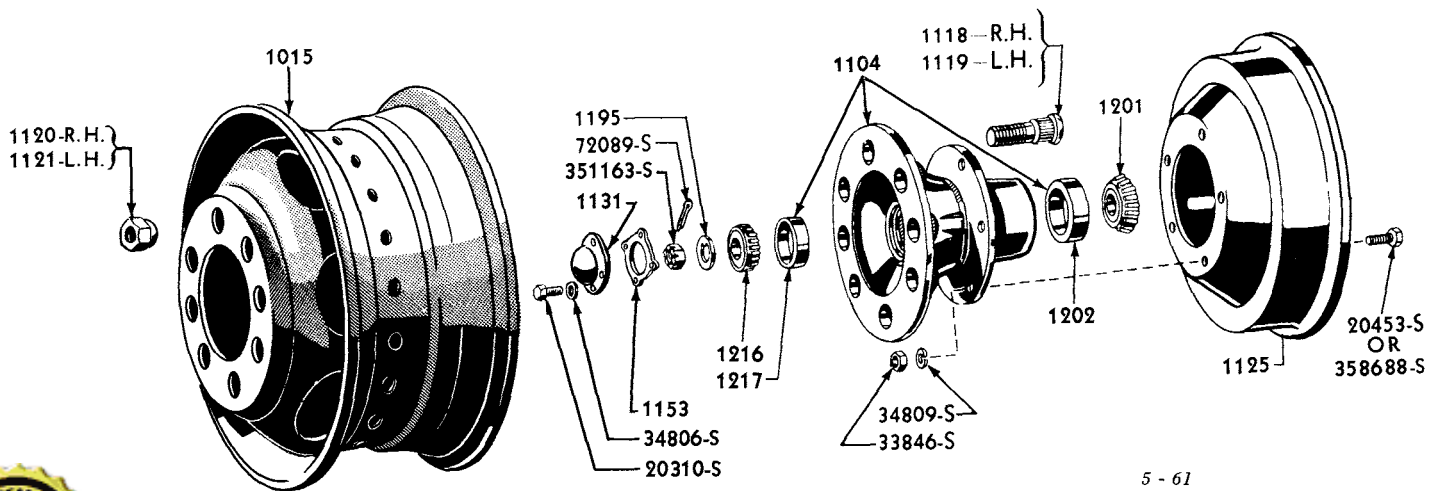
FRONT DISC WHEEL & RELATED PARTS (MODELS Q, Z)



10-61

P-1387

1948/55 FRONT DISC WHEEL & RELATED PARTS (MODELS QH, QW, QHW)



5 - 61

P-2052

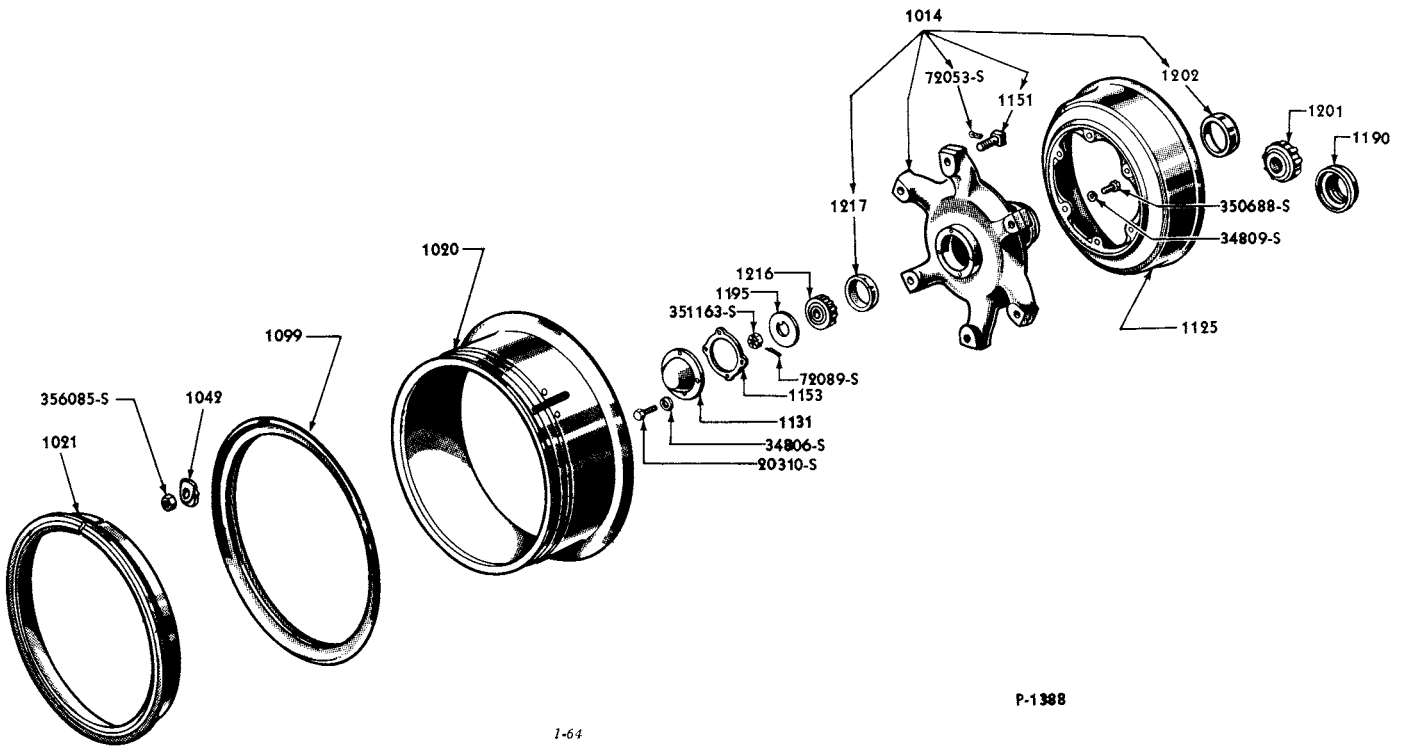


BUY IT NOW!

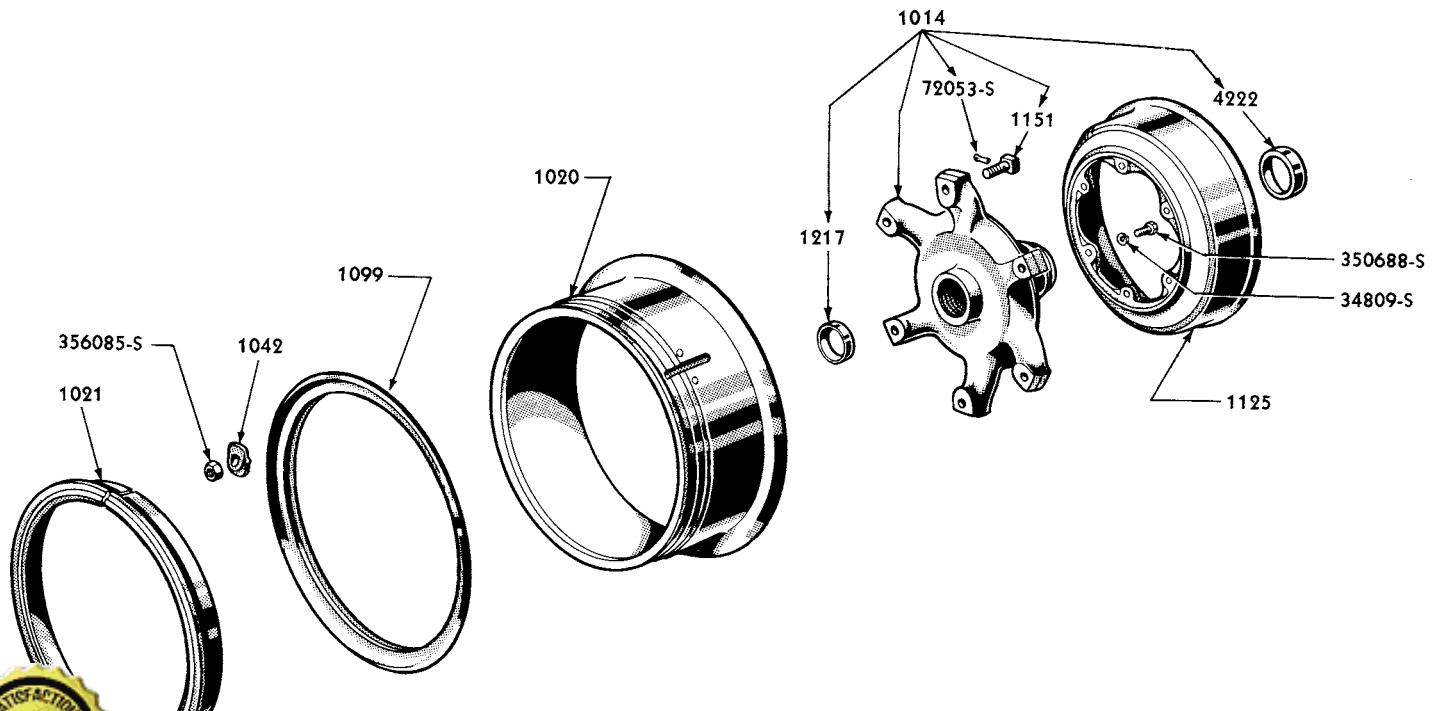
Click Here To Order

"CAL" FRONT DISC WHEEL AND RELATED PARTS
1956 / MODELS Q, QH, QHS, QW, QHW, QSW, Z, ZW





1950/55 FRONT SPOKE WHEEL & RELATED PARTS (FOR TUBE TIRES)(MODELS QH, QW, QHW, ZW)



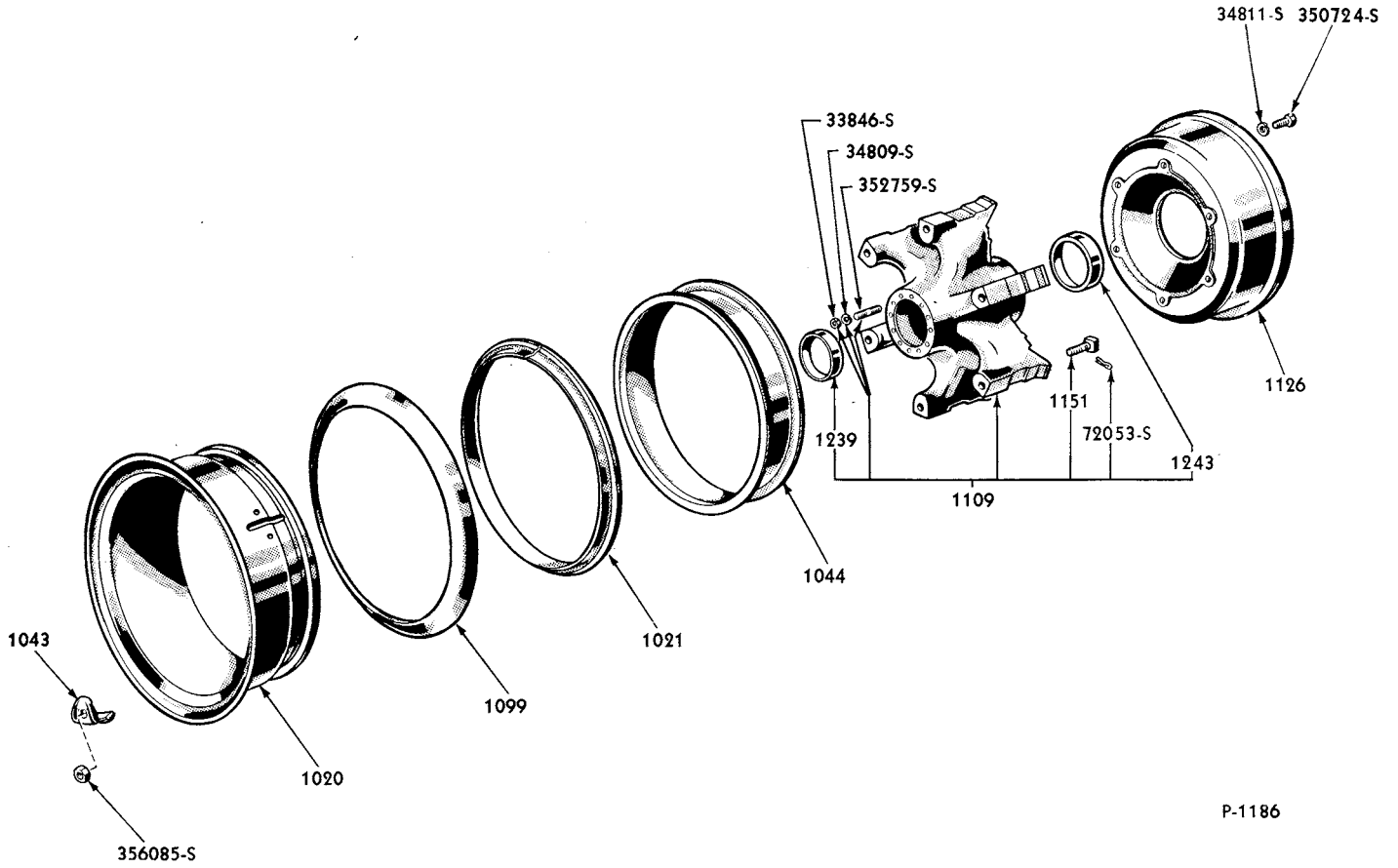
100% SATISFACTION GUARANTEED

BUY IT NOW!

Click Here To Order

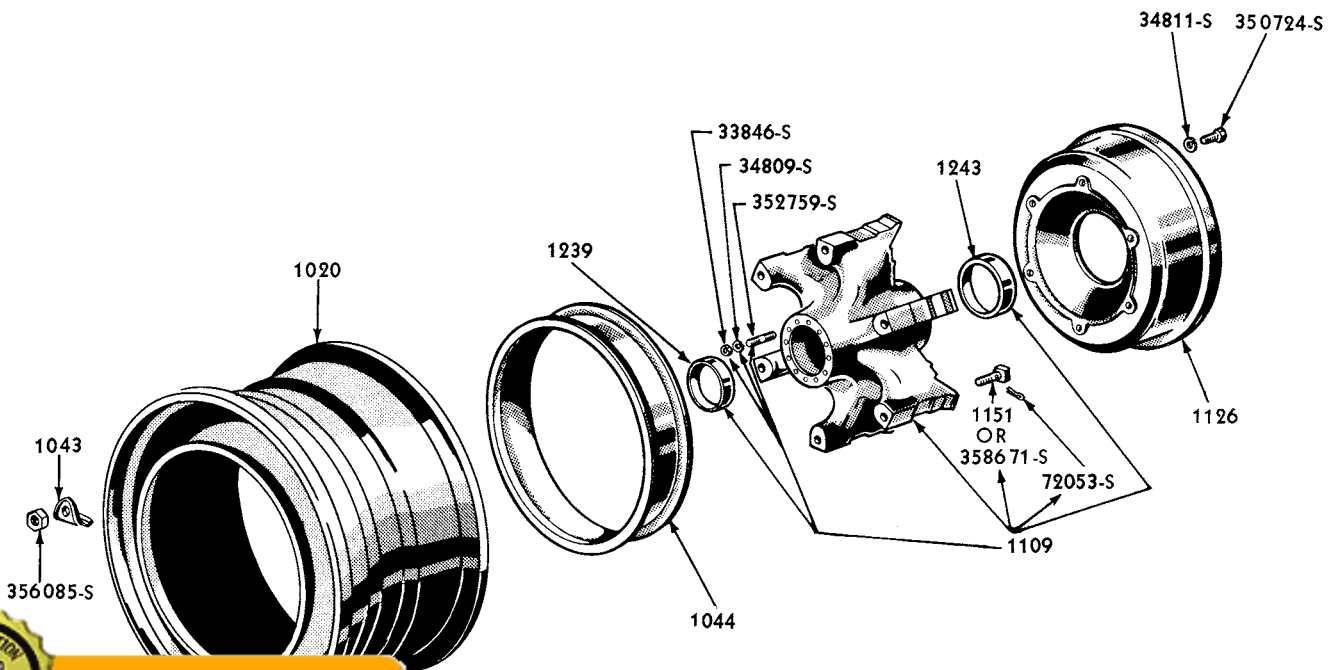
PayPal | American Express | Discover | MasterCard | VISA

1950/55 FRONT SPOKE WHEEL & RELATED PARTS (FOR TUBE TIRES)(MODELS Q, Z)



P-1186

1950/55 REAR SPOKE WHEEL & RELATED PARTS (FOR TUBE TIRES)(MODELS QH, QHW)



P-2053

WHEEL & RELATED PARTS (FOR TUBELESS TIRES)(MODELS QH, QHW)

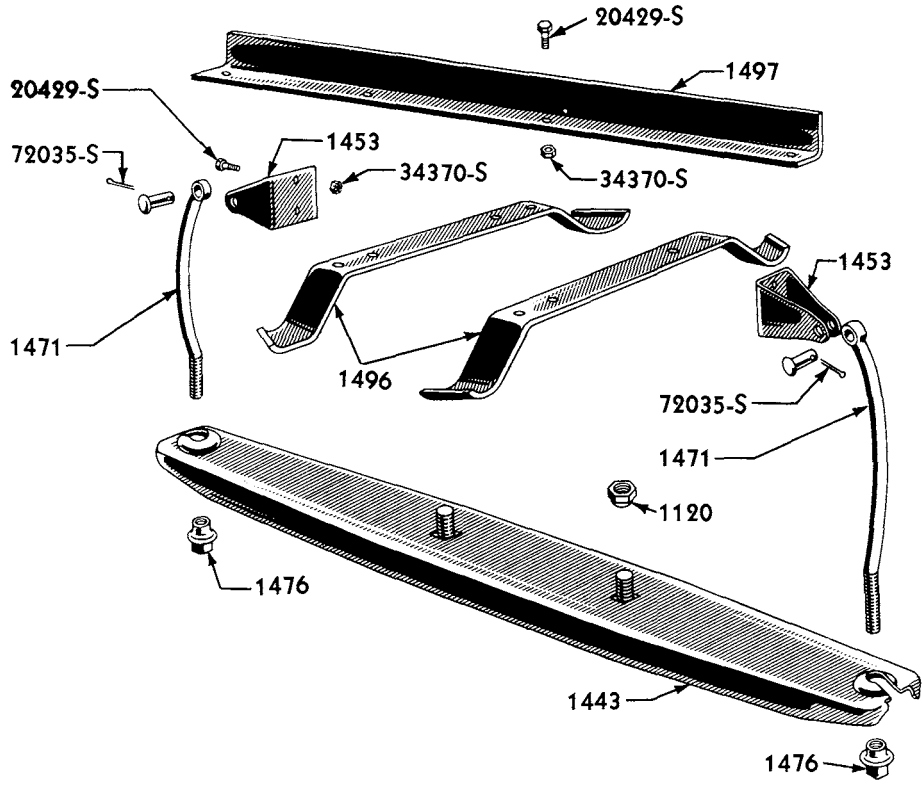
100% SATISFACTION GUARANTEED

BUY IT NOW!

Click Here To Order

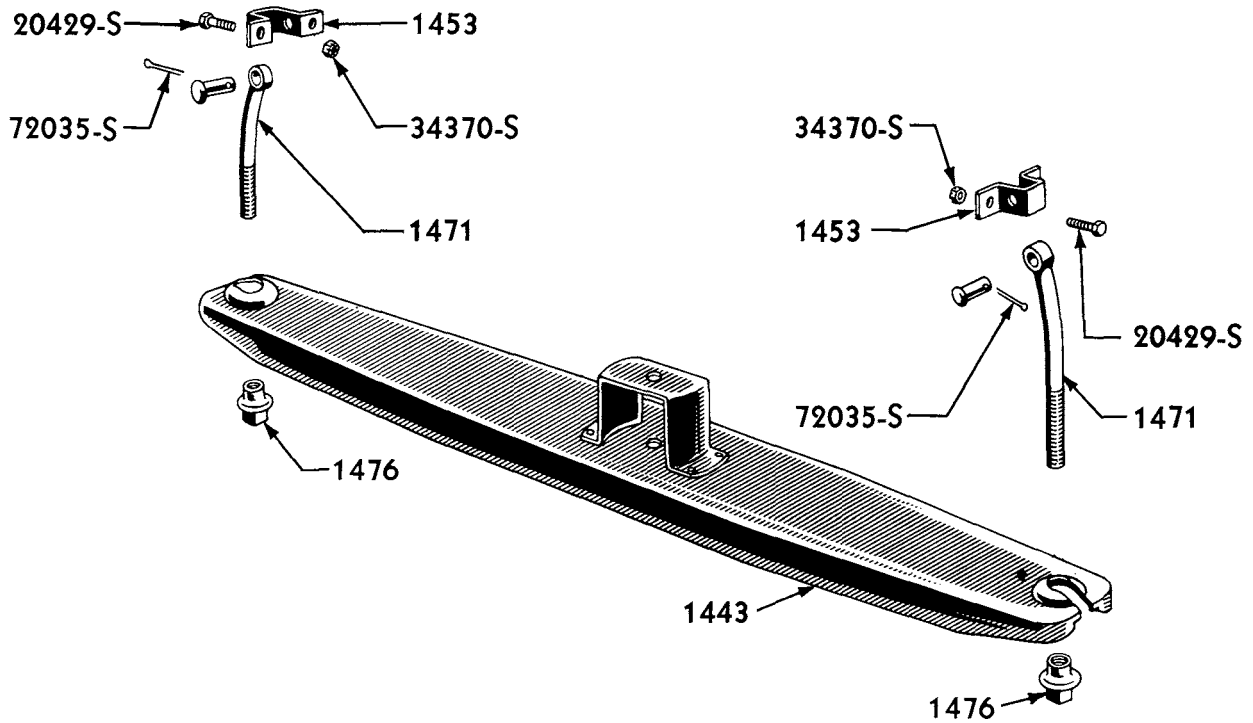
ILLUSTRATION SECTION 14

FORD TRUCK PARTS



P-675

1948/52 & 1956/ SPARE WHEEL CARRIER (MODELS Q, QH, QHS, QW, QHW, QSW, Z, ZW)



P-676

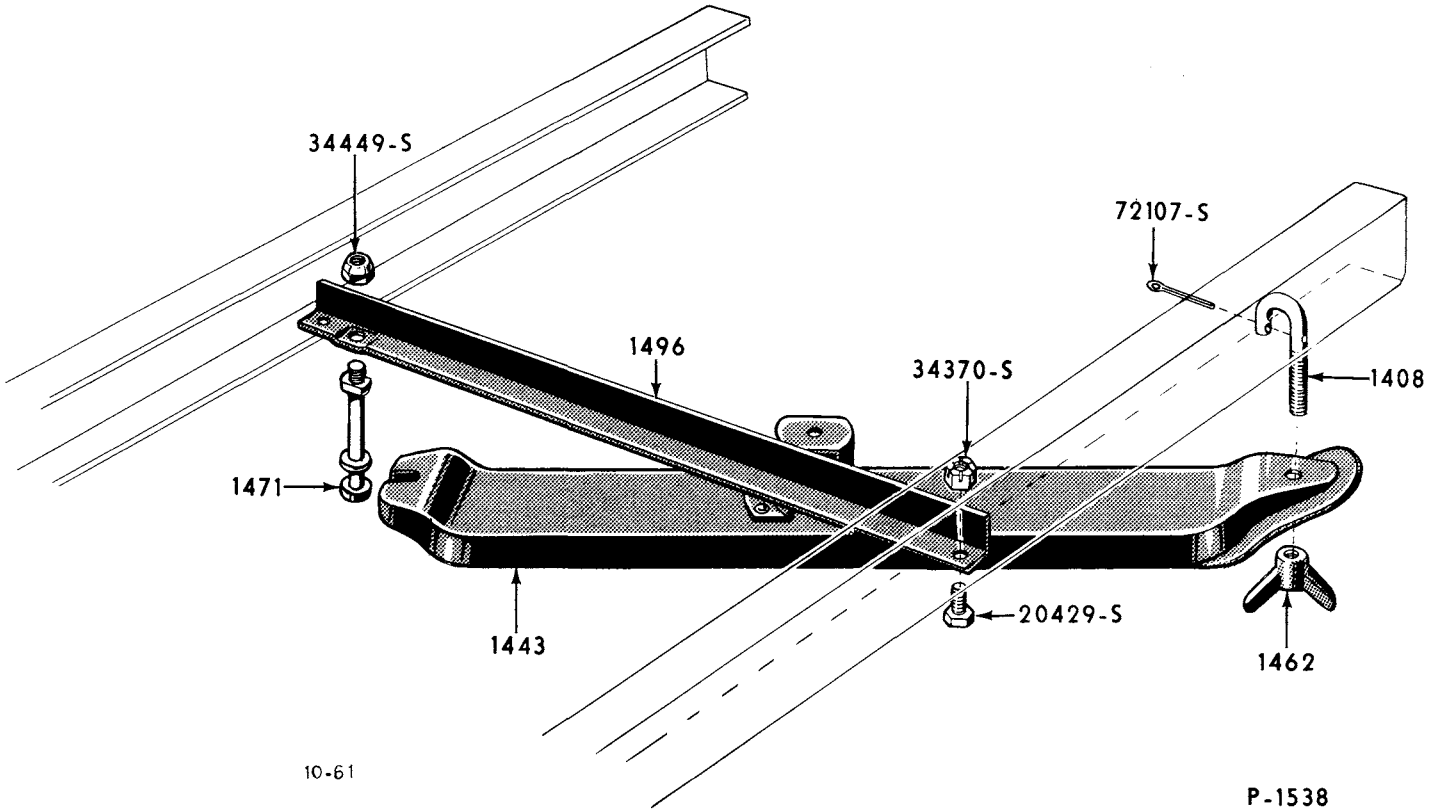
WHEEL CARRIER (MODEL D 1948/) (MODEL Y 1948/52)



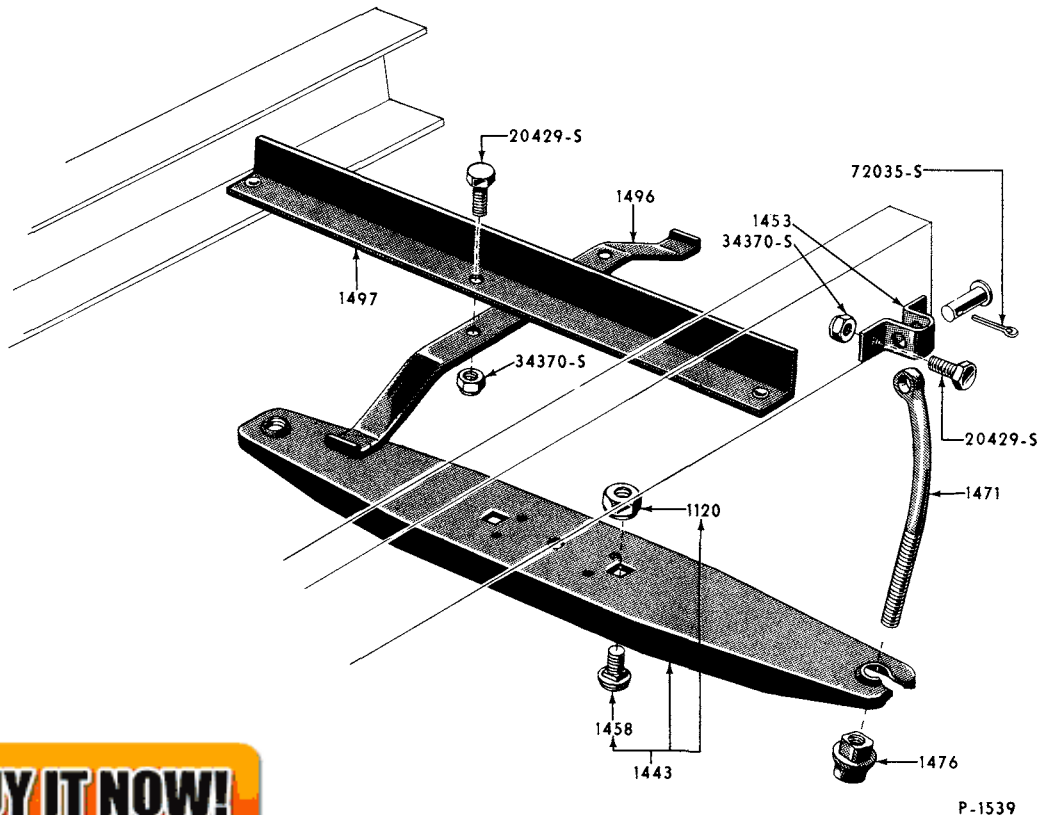
BUY IT NOW!

Click Here To Order





1953/55 SPARE WHEEL CARRIER (MODEL C)



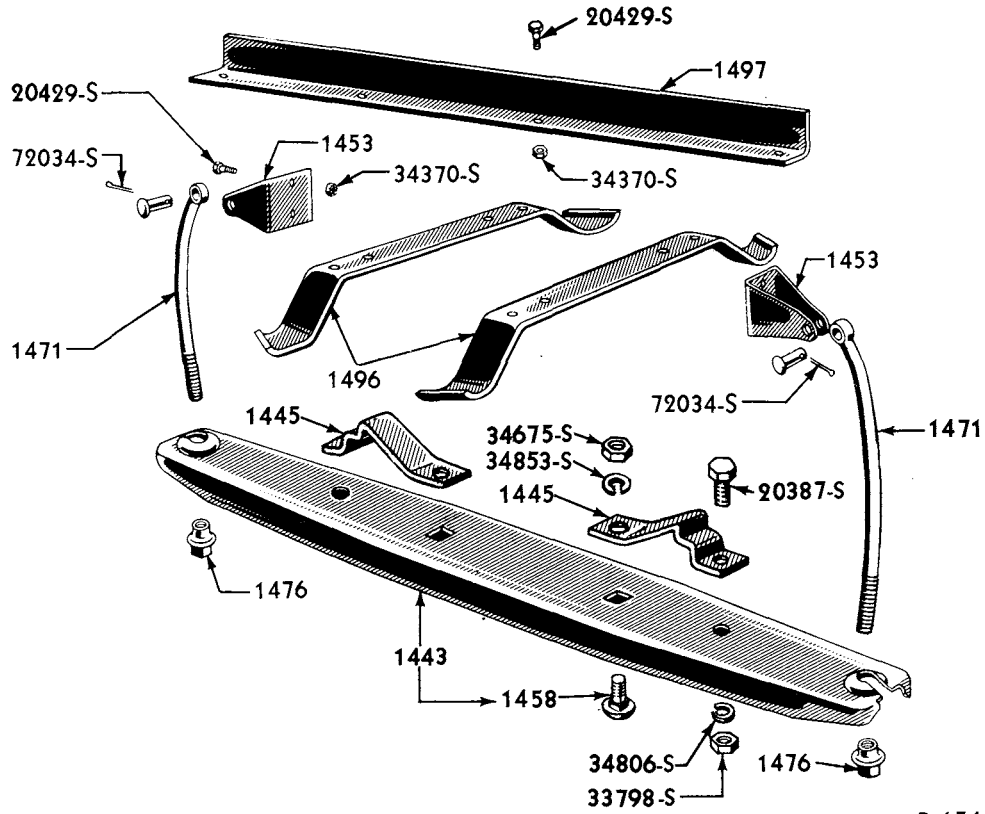
SPARE WHEEL CARRIER (MODELS TH, WH)(1953/ MODELS JH, Y, T, W)

100% SATISFACTION GUARANTEED
BUY IT NOW!
Click Here To Order

PayPal American Express Discover Novus MasterCard VISA

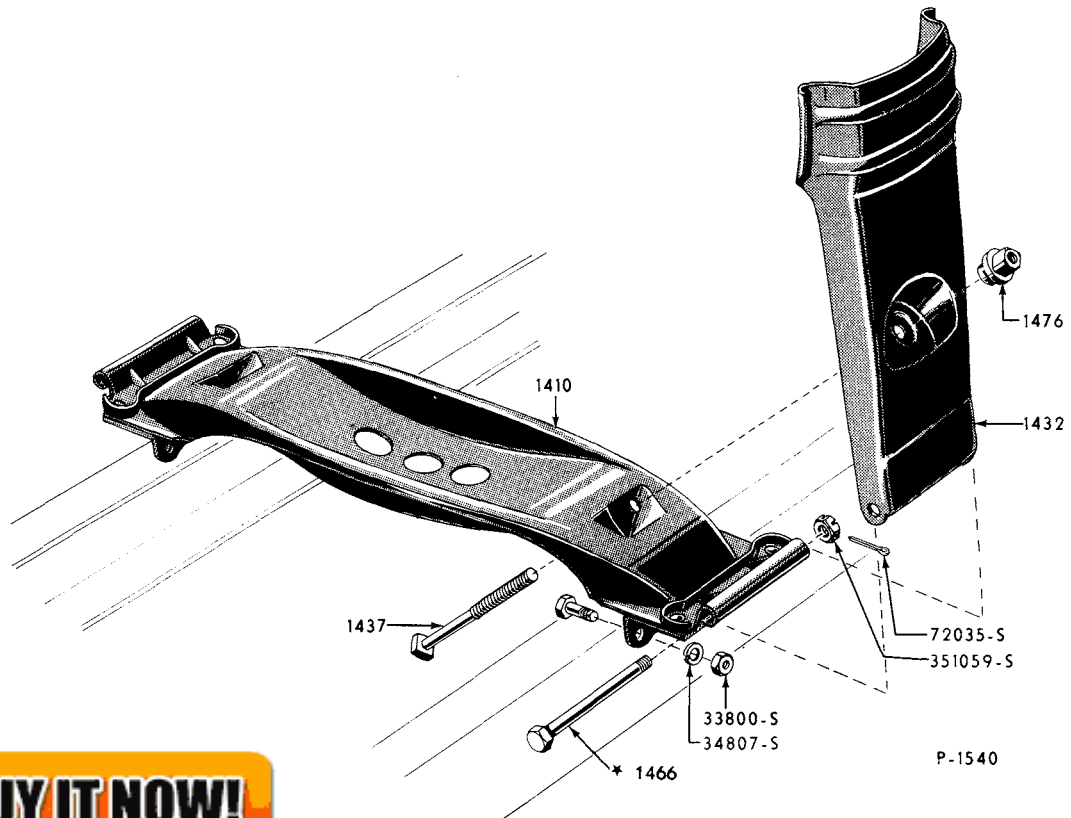
ILLUSTRATION SECTION 14

FORD TRUCK PARTS



P-1541

1953/55 SPARE WHEEL CARRIER (MODELS Q, QH, QHS, QW, QHW, QSW, Z, ZW)



P-1540

SPARE WHEEL CARRIER (DUMP TRUCK TYPE)



BUY IT NOW!

Click Here To Order



