

# 1944-1952 FORD



## BODY PARTS

## CATALOG

SUPERSEDES BODY PARTS CATALOG  
DATED JANUARY, 1952

### JUNE, 1956

## PASSENGER CARS AND TRUCKS

#### DEMO

This DEMO contains only a few pages of the entire manual/product.

Not all Bookmarks work on the Demo, but they do on the full version.

#### Features:

- Searchable text
- Printable pages
- Bookmarked for easy navigation
- High Resolution images
- Zoom to see exact details
- Money back Guarantee
- Transfer to USB flash drive support



### BUY IT NOW!

Click Here To Order



OPERATIONS

*Motor Company*  
G A N



FORM 3



© 1956

FORD MOTOR COMPANY  
DEARBORN, MICHIGAN

1944-1952

FORD

# BODY PARTS

CATALOG

SUPERSEDES BODY PARTS CATALOG  
DATED JANUARY, 1952

JUNE, 1956

PASSENGER CARS  
AND TRUCKS

PARTS AND SERVICE OPERATIONS

FORD DIVISION OF *Ford Motor Company*  
DEARBORN, MICHIGAN

## Quick Reference Index

GROUP	GROUP NAME	PAGE
	Alphabetical Index	IX
00120	Body Front	21
03100	Windshield Glass	47
04100	Visor	53
13000	Floor Mat	86
20122-3	Front Door	98
21402-3	Vent Window	114
23200-1	Door Window Regulator	156
23942-3	Front Door Trim	164
24622-3	Rear Door	177
27406-7	Rear Door Trim	192
27840-1	Quarter	195
40000	Back	251
50000	Top and Roof	296
60000	Seat	359
	Body Illustrations	416



**BUY IT NOW!**

**Click Here To Order**

FOR

IN U.S.A.



# FORD DIVISION OF *Ford Motor Company*

DEARBORN, MICHIGAN

## AMERICAN WHOLESALE DISTRICT OFFICES

Atlanta, Ga.  
Boston, Mass.  
Buffalo, N.Y.  
Charlotte, N.C.  
Chicago, Ill.  
Cincinnati, Ohio  
Cleveland, Ohio  
Dallas, Texas  
Davenport, Iowa

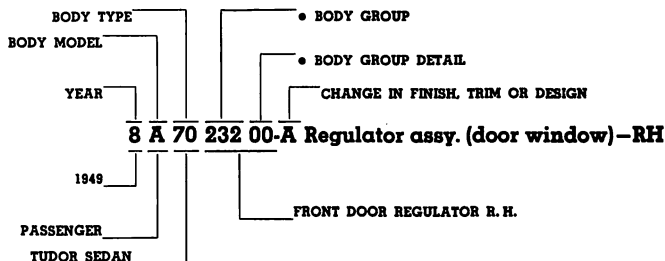
Denver, Colo.  
Detroit, Mich.  
Des Moines, Iowa  
Fargo, N.D.  
Houston, Texas  
Indianapolis, Ind.  
Jacksonville, Fla.  
Kansas City, Mo.  
Lansing, Mich.

Los Angeles, Calif.  
Louisville, Ky.  
Memphis, Tenn.  
New Orleans, La.  
New York, N.Y.  
(Teterboro, N.J.)  
Oklahoma City, Okla.  
Omaha, Neb.  
Philadelphia  
(Drexel Hill, Pa.)

Pittsburgh, Pa.  
Richmond, Va.  
Rockford, Illinois  
St. Louis, Mo.  
Salt Lake City, Utah  
San Jose, Calif.  
Seattle, Wash.  
Twin City (St. Paul, Minn.)  
Washington, D.C.

## GENERAL INFORMATION

FOLLOWING IS A DIAGRAM OF THE BODY PARTS NUMBERING SYSTEM



• These five characters (the combined numbers of the BODY GROUP and BODY GROUP DETAIL) comprise the Body Group Numbers as used throughout this Body Parts Catalog except for Chassis Parts and Body Parts engineered prior to the adoption of this BODY PARTS NUMBERING SYSTEM.

Prior to the year 1939 Basic Body Part Numbers had but 5 (five) or 6 (six) characters.

Examples { B-46335 Pin (Front Door Hinge)  
78-735280 Handle (Quarter Glass Frame)—R.H.

Every effort has been made to insure ease in selecting and ordering the correct or needed parts.

A complete group index has been included, such as Back, Front Door, Quarter, Windshield, etc., and each group has been arranged in alphabetical sequence.

GROUP NUMBERS are a portion of the complete Part Number and are in numerical sequence.

The first three characters of the Body Group Numbers are as follows:

000-099 FRONT END GROUP	400-499 BACK GROUP
100-199 FLOOR GROUP	500-599 TOP AND ROOF GROUP
200-399 SIDE ASSEMBLY GROUP	600-699 SEAT GROUP

and fifth characters of the Body Group Numbers are The Body Group Detail Numbers—  
... prior to 1939 which are also used on later Models.  
... at 4 (four) characters.



**BUY IT NOW!**

**Click Here To Order**



To select the correct part needed the following procedure should be followed.

- A. Determine the correct NAME of PART required.
- B. Check INDEX for GROUP NUMBER.
- C. Refer to GROUP NUMBER and select desired PART.

For Example—Should a Regulator for a Right Hand Door Window of a 1949 Ford Tudor Sedan be required the Alphabetical Index under Front Door lists the group number as 23200-1. By referring to Group 23200-1 on page 156, 8A-7023200-A is listed as Regulator Assy. (door window)—R.H. for 1949 Body Types 70 (Ford or Ford Custom Tudor Sedan) and 72 (Ford Custom Sedan Coupe or Ford Business Coupe).

YEAR 19:	BODY TYPES	REMARKS	PART NUMBER	NO. REQ'D
<b>Group 23200-1 Regulator Assy. (Door Window)</b>				
49	70, 72	R. H.	8A-7023200-A	1
49	70, 72	L. H.	8A-7023201-A	1
49-51	70, 72, 73, 76, 79	No. 12-24 x 3/8" Hex. Washer Head Screw	354666-S2	6 to 12

Where a part is used on both Ford or Ford Custom the body type does not carry a suffix. For example, on the illustration above Body Type 70 indicates the part is used on both Ford and Ford Custom.

The remarks column includes such information as right or left hand, finish, dimensions, type of trim, size of attaching parts and special notations.

Attaching parts such as Bolts, Screws, Clamps, etc., are listed below the part with which they are used.

Illustrations throughout this Catalog are for a particular BODY TYPE MODEL although GROUP NUMBERS and DESCRIPTIONS are applicable to practically all BODY TYPES.

For quick selection of group numbers of exterior, interior or sheet metal parts refer to full page illustrations in back of Catalog.

When Parts pertaining to Upholstery are required, the Upholstery Trim Charts (Forms 3605-1, 2, 3, 4, 5 or 6) should be used in conjunction with the Body Parts Catalog.

To ascertain the correct part number of trim parts it is necessary to first determine the type of cloth or trim wanted; for example, should you require a Front Seat Cushion for a 1949 Ford Tudor Sedan, consult the Trim Chart (Form 3605-3) which lists the "M" number of trim needed, then refer to Page 363, Group 60050-1 Cushion Assy. (Front Seat) where the following are listed—

- M-16503-Q Mohair Trim 8A-7060050-H
- M-16102-F Broadcloth Trim 8A-7060050-J

With the exception of attaching parts such as bolts, nuts, etc., group numbers only appear on exploded illustrations.

Do not order parts by the GROUP NUMBER or GROUP HEADINGS as shown on illustrations, always consult the list of Parts for complete PART NUMBER.

The driver's position governs such parts as doors, seats, etc., as to whether an item is Right Hand or Left Hand.

Always give complete PART NUMBER and NAME of each part ordered.

Specify whether shipments are to be made by Freight, Express or Parcel Post.

**ABBREVIATIONS**

- Dia.—Diameter
- Hex.—Hexagonal
- I.D.—Inside Diameter

- O.D.—Outside Diameter
- Pass.—Passenger
- Repl.—Replaced
- Reqd.—Required
- R.H.—Right Hand
- Vent.—Ventilator

and Drive



**BUY IT NOW!**

**Click Here To Order**




**BODY PARTS CATALOGUE**
**1944-52 FORD PASSENGER CAR AND TRUCK BODY TYPES**

<b>BODY TYPE NUMBER</b>	<b>YEAR</b>	<b>BODY MODEL</b>
59A	1952	Mainline Station Wagon (Ranch Wagon)
60	1951	Victoria
60B	1952	Crestline Victoria
70A	1946-48	DeLuxe Tudor Sedan
70A	1949	Ford Tudor Sedan
70A	1950-51	DeLuxe Tudor Sedan
70A	1952	Mainline Tudor Sedan
70B	1946-48	Super DeLuxe Tudor Sedan
70B	1949	Ford Custom Tudor Sedan
70B	1950	Custom DeLuxe Tudor Sedan
70B	1951	Custom Tudor Sedan
70B	1952	Customline Tudor Sedan
70C	1950-51	Crestliner
71	1946-48	Sportsman Convertible
72A	1949	Ford Club Coupe
72B	1946-48	Super DeLuxe Sedan Coupe
72B	1949	Ford Custom Club Coupe
72B	1950	Custom DeLuxe Club Coupe
72B	1951	Custom Club Coupe
72B	1952	Customline Club Coupe
72C	1949	Ford Business Coupe
72C	1950-51	DeLuxe Business Coupe
72C	1952	Mainline Business Coupe
73A	1946-48	DeLuxe Fordor Sedan
73A	1949	Ford Fordor Sedan
73A	1950-51	DeLuxe Fordor Sedan
73A	1952	Mainline Fordor Sedan
73B	1946-48	Super DeLuxe Fordor Sedan
73B	1949	Ford Custom Fordor Sedan
73B	1950	Custom DeLuxe Fordor Sedan
73B	1951	Custom Fordor Sedan
73B	1952	Customline Fordor Sedan
76	1946-48	Convertible Club Coupe
76	1949	Ford Custom Convertible Coupe
76	1950	Custom DeLuxe Convertible Coupe
76	1951	Custom Convertible Coupe
76	1952	Crestline Convertible Coupe (Sunliner)


**BUY IT NOW!**
**Click Here To Order**

 Window  
 pe-5 Window



## BODY PARTS CATALOGUE

## 1944-52 FORD PASSENGER CAR AND TRUCK BODY TYPES

BODY TYPE NUMBER	YEAR	BODY MODEL
78	1946-48	Sedan Delivery
78A	1952	Sedan Delivery "Courier"
79	1949	Ford Custom Station Wagon
79	1950	Custom DeLuxe Station Wagon
79	1950-51	Custom "Country Squire" Station Wagon
79B	1946-48	Super DeLuxe Station Wagon
79B	1952	Customline Station Wagon ("Country Sedan")
79C	1952	Crestline Station Wagon ("Country Squire")
C80, C86	1944-52	Platform and Rack (114" Wheelbase)
T80, T86	1944-52	Platform and Rack (134" Wheelbase)
W80, T86	1944-52	Platform and Rack (101" Wheelbase C. O. E.)
Y80, Y86	1944-52	Platform and Rack (122" Wheelbase)
T80, 8T86	1944-52	Platform and Rack (134" Wheelbase C. O. E.)
8T80, 8T86	1944-52	Platform and Rack (158" Wheelbase)
C81	1944-52	Closed Cab (114" and 122" Wheelbase)-Light Duty
C81A	1951-52	Standard Closed Cab (114" and 122" Wheelbase)-Light Duty
C81B	1951-52	DeLuxe Closed Cab (114" and 122" Wheelbase)-Light Duty
T81	1944-50	Closed Cab (Conventional)-Heavy Duty
T81A	1951-52	Standard Closed Cab (Conventional)-Heavy Duty
T81B	1951-52	DeLuxe Closed Cab (Conventional)-Heavy Duty
Q81A	1952	Standard Closed Cab (Conventional)-Extra Heavy Duty
Q81B	1952	DeLuxe Closed Cab (Conventional)-Extra Heavy Duty
W81	1944-50	Closed Cab (Cab Over Engine)
W81A	1951-52	Standard Closed Cab (Cab Over Engine)
W81B	1951-52	DeLuxe Closed Cab (Cab Over Engine)
C82	1944-50	Panel Delivery (114" Wheelbase)
C82A	1951-52	Standard Panel Delivery (114" Wheelbase)
C82C	1951-52	DeLuxe Panel Delivery (114" Wheelbase)
Y82	1944-47	Panel Delivery (122" Wheelbase)
C83	1944-52	Pickup (114" Wheelbase)
D83	1944-52	Express (122" Wheelbase)
C84, T84	1944-52	Open Drive Away - without windshield frame
C85, T85	1944-52	Closed Drive Away - with windshield frame
78F	1948-52	Parcel Delivery (104" and 122" Wheelbase)

**BUY IT NOW!****Click Here To Order**





## BODY PARTS CATALOGUE

LOCK LUBRICANT  
4 OZ.—BA-15007-AWHITETALL TIRE CLEANER  
18 OZ.—1A-1032-ACLEANER AND POLISH  
PINT—BA-10518-ALUSTER SEAL No. 1  
CLEANER AND SEALER  
12 OZ.—AB-10520-ALUSTER SEAL No. 2  
CLEANER AND SEALER  
12 OZ.—AB-10520-BLUSTER SEAL  
HAZE CREAM  
AB-19530-ALIQUID GLAZE CLEANER  
HALF-PINT—BA-10520-DMIRACLE POWER  
4 OZ. 1A-10500-ACUSTOM AUTO WAX  
8 OZ.—BA-10534-AFOAM UPHOLSTERY  
CLEANER  
PINT—BA-10526-ACLEANER WAX POLISH  
PINT—BA-10518-APORCELAINIZE  
LIQUID  
HALF-PINT—BA-10528-BPORCELAINIZE—CLEANER  
GALLON—BA-10528-GPORCELAINIZE  
WASH CREAM  
HALF-PINT—BA-10528-BSPOT REMOVER  
PINT—BA-10521LIQUID CLEANER  
PINT—BA-10528-BWAX TREATED  
DUSTING CLOTH  
16-1017RUST INHIBITOR  
PINT—BA-10548-CFOAM CAR WASHING  
SOLUTION  
GALLON—BA-10528-BCOOLING SYSTEM CLEANSER  
HEAVY DUTY—10 OZ.—1A-1027-BCHROME CLEANER  
PINT—BA-10522BODY POLISH  
PINT—BA-10530-AKAR KLEEN  
1 PINT—BA-10525-ARADIATOR  
STOP LEAK  
10 OZ.—BA-10500SPEEDOMETER CABLE  
LUBRICANT  
1 POUND—B5A-10501-ARUBBER CEMENT  
5 OZ. TUBE—BA-10502-BUNDERCOATING  
54 GAL.—B5A-10515-AAUTOMATIC  
TRANSMISSION  
FLUID  
1 QUART—1A-10502-A  
1 GALLON—1A-10502-C  
5 GALLONS—1A-10502-BPERFECT SEAL  
SEALING  
COMPOUND  
PINT—BA-10554-B  
4 OZ.—B5A-10554-AALL-WEATHER  
WINDSHIELD  
WASHER SOLUTION  
8 OZ.—BA-10500brake fluid  
dutyFord  
wheel bearing grease  
8A-19585-BANTI-FREEZE  
(Regular)  
1 QUART—1A-10544-C  
1 GALLON—1A-10544-A  
54 GALLON—1A-10544-BANTI-FREEZE  
(Permanent)  
1 QUART—BA-10548-B  
1 GALLON—BA-10548-A**BUY IT NOW!****Click Here To Order**



## BODY PARTS CATALOGUE

## BODY ILLUSTRATIONS

BODY TYPE NO.	BODY MODEL	PAGE NO.	BODY TYPE NO.	BODY MODEL	PAGE NO.
59	Station Wagon (Ranch Wagon)	416	79	Station Wagon (Tail Gate and Lift Gate)	454
60	Victoria	417	79	Station Wagon	434, 435, 436, 437, 438
60	Victoria Interior	455, 456	81	Closed Cab	439
70	Tudor Sedan	418, 419, 420	81	Closed Cab Interior (1944 thru 1947)	460
71	Sportsman Convertible	421	81	Closed Cab Interior (1948-50)	461
72	Sedan Coupe (1946-48)	422	81	Cab Over Engine	440
72	Coupe	423, 424	81	Cab Over Engine Cab Interior (1948-50)	462
73	Fordor Sedan	425, 426, 427	82	Panel Delivery	441
73	Fordor Interior Trim	457, 458, 459	83	Pickup and Express Box	463
76	Convertible Club Coupe	428, 429, 430	85	Parcel Delivery Front End Parts	442, 443
77	Coupe (1946-48 5 Window)	431	85	Parcel Delivery Engine Covers	443
78	Sedan Delivery	432, 433	86	Platform and Rack Ass'y	444

## MISCELLANEOUS ILLUSTRATIONS

	PAGE NO.		PAGE NO.
Arm (door check)	161, 282	Ornament (roof side)	310
Arm (luggage compartment door)	283	Panel (passenger instrument)	56, 57, 58, 59, 60, 62
Bolt (convertible top slat iron)	311	Panel (quarter repair)	198
Bumper (rubber)	11	Plate (door striker)	141, 273
Channel (glass)	124	Regulator (window)	155, 157, 191, 230
Control (door lock remote)	137, 186	Seat (front)	354, 355
Cowl Ventilator	29, 30	Seat (rear)	357, 358
Door Parts	113, 114, 115, 126, 127, 128, 129, 130, 131, 178, 179, 180	Seat (Cab Over Engine drivers)	352
Dovetail (door)	154	Seat (Parcel Delivery drivers)	353
Engine Cover (Cab Over Engine)	3	Top Fasteners (Convertible)	300
Floor Parts (Cab Over Engine)	2	Top (Convertible) Slat Iron	304, 305, 306, 307, 308, 309
Handle (door inside)	10, 148	Top (Convertible) Mechanism	301, 302, 303, 308, 309
Handle (luggage compartment door)	276, 277, 278, 279	Top (Convertible) Slat Iron Bolts	311
Handle (door outside)	145, 146	Top Motor and Pump	320, 345
Handle (lift gate)	274	Trim (outside body)	445, 446, 447, 448, 449
Handle (quarter window)	232	Ventilating System	25
Handle (tail gate locking)	275	Visible Chassis and Body Parts	450, 451, 452, 453
Handle (window regulator)	159	Weatherstrip (Convertible top)	297, 298, 299
Hydraulic Window Lift	163	Weatherstrip (door)	104
Latch (to)	285, 288	Window Parts (door)	118, 119, 120, 132, 133, 134
Lock (to)		Window Parts (back)	262
Lock (to)		Window Parts (quarter)	214, 215, 216, 217, 218, 219, 220
		Window Parts (side)	43, 44



**BUY IT NOW!**

**Click Here To Order**





## BODY PARTS CATALOGUE

## Alphabetical Index

## BACK

Group Name	Group Number	Group Name	Group Number
Angle (tail gate upper edge)	45000	Frame ass'y. (back window & upper back panel)-lower	42204
Arm (back window support)	42058-9	Frame ass'y. (back window)-upper	42208
Arm (back window swing)	42060	Frame assy (tail gate finish)	40902
Bar (back window division)	42076	Gate and hinge assy (tail)-Model 79	40202
Bolt (tail gate latch)	44448	Gate assy. (lift)	40010
Brace (hinge pillar to sill)-Model C82A	44652-3	Gate assy (tail1)-Model Y83	0700
Bracket and dowel assy (tail gate support rod)	44412-3	Gate assy (tail1)-Model C83	40700
Bracket and hinge assy (back panel strainer to seat adjusting board)	44583	Glass assy (back door window)	41900
Bracket assy (back window swing arm frame)	42062	Glass assy (back window)-complete-Model 79B	42000
Bracket (back belt flange strip to floor pan strainer)	41756-7	Glass assy (back window)	42006
Bracket (back window swing)-on body lock retainer)	6122	Glass (back window)	42016
Bracket (lift gate hinge spring)	42944	Glass (back window)-side	42026-7
Bracket (rear door check arm)-on body-Model C82A	2192	Handle assy (tail gate locking)	43429
Bracket (tail gate chain)	0808	Handle (back window)-inside	43426
Bracket (tail gate support rod)	44414-5	Hinge assy (back window frame)	42234
Bracket (tail gate to latch)	44424-5	Hinge assy. (spare tire well panel)	47166
		Hinge assy (tail gate)	45000
		Hinge (tail gate)	0860
Bumper (tail gate dowel plate)	43916	Hinge (tail gate)-C83	43018
Bumper (tail gate support rod)	40741	Hook (tail gate chain)	8438
Button & guide assy.(lift gate or back dr. o/side hldg.)	43440	Housing assy.(fuel tank filler pipe)	11310
Cardboard (back belt rail trim)	3482	Housing (tail gate support rod spring)	44428-9
Cardboard assy (body back panel trim)	3478	Insert (back window weatherstrip)	42054
Cardboard assy (under rear window)	42414	Knob (lift gate lock release lever)	43145
Catch (tail gate chain)	0806	Latch assy (tail gate)	44434
Catch (tail gate chain)	44490-1	Lever (back door lock cylinder extension)	43438
Chain and bracket assy (tail gate)	44456	Link (back door lock)	43136
Catch (spare tire well panel hold-down)	45844	Link (tail gate lock remote control)	43172-3
Chain assy. (spare tire well panel check)	45836	Lock and plate assy (rear door)-Model 78	45102
Clip (back door lock link)	43142	Lock assy (back window)-Model 78	43102
Clip (back window moulding retainer)	42428	Lock assy. (lift gate or back door)	43102
Clip (license lamp leveling rod)	40367	Lock assy. (tail gate)	43150-1
Clip (tail gate lock remote control link) - outer	43174-5	Moulding assy. (back belt)-outside	40238-9
Clip (tail gate lock remote control link) - inner	43184-5	Moulding assy. (back panel)-upper	4024-5
Connection (rear stake rack)	8305	Moulding assy. (back wind. division bar)-outer	42402-3
Connection (stake)	8308-9	Moulding assy. (back window outside)-lower center	42478
Control assy. (tail gate lock remote)	43170	Moulding assy. (back window outside)-upper	42408
Cover assy.(back wind. outside mldg. jt.)-upper center	42470	Moulding (back door outside bolt) - Model 78	40242
Cylinder assy (back window finish strip corner joint)-60	42458	Moulding (back window division bar)-inner-60	42442
Cover (back window finish strip joint)-60	42419	Moulding (back wind. division bar)-inner	42442-3
Cover (back window garnish moulding)-center joint	42490	Moulding (back window division bar)-outer-60	42420
Cover (back window outside moulding joint)	42432-3	Moulding (back window opening)-inner	42410
Cover (back window outside moulding joint)	42450	Moulding (back window outside)-lower	42404-5
Cover (lift gate lock access)	43132	Moulding (back window outside)-lower corner	42472-3
Cover (lift gate or back dr. lock cyl. keyhole)	43446	Moulding (back window outside)-Pass.	42430-1
Cover (rear lamp access)	28661	Moulding (back window outside) - upper center	42466
Cover (spare tire well panel)	45830	Moulding (back belt) - outside	40242-3
Cover (tail gate lock access)	43114	Moulding (lower back panel)	40372
Cylinder assy.(lift gate lock) - with keys	43431	Pad (luggage compartment door lock cylinder sleeve)	43625
Cylinder assy (lock)-tail gate and rear window- with keys-Model 79	18309	Pad (tail gate ornament)	42620-1
		Panel and back assy (quarter)	27800
Decals (back window panel)-Repair Kit.(Country Squire)	20400	Panel assy (back)	40500
		Panel assy. (back trim)-lower	40374-5
		Panel assy (body)-lower back	40320
		Panel assy (body)-lower rear	40320-1
		Panel assy. (lower back)-center	40308
		Panel assy. (spare tire well)	45966
		Panel assy (upper back)	40310



BUY IT NOW!

Click Here To Order




**BODY PARTS CATALOGUE**
**Alphabetical Index**
**BACK - continued**

Group Name	Group Number	Group Name	Group Number
Panel (back door header trim)	40436	Spring (back door check hold open booster)	44143
Panel (back door lock pillar trim)	40446	Spring (tail gate chain hook safety)	0824
Panel (back panel center trim)	40318	Spring (tail gate counterbalance)	5720
Panel (back panel upper quarter trim)-Model W81	3460-1	Spring (tail gate support rod)	44417
Panel (back panel upper quarter trim)-Model C81,Y81	40316-7	Strainer and mounting bracket assy (spare wheel)	47016
Panel (lower back)	40324	Strainer (back belt flange strip to floor pan)	44626-7
Panel (rear corner inner finish) - lower	40462-3	Strip and strainer assy. (back belt flanging)	41714
Panel (upper back)	40314	Strip assy (back belt flanging)	41730
Panel (rear corner inner finish) - upper	40456-7	Strip assy (back belt rail tacking)-center	41748
Plate (back door inside panel cover)	40424	Strip assy (back belt tacking)-end	41760-1
Plate (back door lock striker) - 78-1952	43146-7	Strip assy (back window finish)	42400-1
Plate (back window lock striker)	43126	Strip (back window division bar finish)	42424
Plate (rear door lock cover) -Model C82	43114-5	Strip (back window finish)-lower-60	42456-7
Plate (rear door lock cover) -Model C82,Y82	5656	Strip (back window finish)-upper-60	42410-1
Plate (rear door lock slide shoulder screw locking)	5668	Strip (rear window finish)	3430
Plate (tail gate or back door lock striker)	43146-7	Strip (spare tire well panel finish) - rear	47148
Plate (tail gate striker)-Model 79	43914	Strip (spare tire well panel finish) - side	47150-1
Pin (tail gate hinge)	43030	Strip (tail gate skid)	44442
Rail assy (back belt trim)	41702	Stud (tail gate counterbalance spring)	5722
Rail assy (back door body header)-Model C82A,79	41302	Support assy (back window)-Model 79	42058-9
Retainer assy. (back window division bar moulding)-inner-60	42288	Support (back window)-Model 79 (Country Squire)	42058
Retainer assy. (back wind. outside mldg.)-lower	42428	Support (rear belt rail to wheelhouse)	44640-1
Retainer assy. (back window outside moulding)-lower front corner	42438	Support (spare tire well panel hinge)	47174
Retainer (back window division bar moulding)-outer 60-1951	42294	Tail gate and hinge assy	42022
Retainer (back window finish strip)-upper side	42446	Tail gate assy-Model Y83	0700
Retainer (back window finish strip)-upper top-60	42454-5	Tail gate assy-Model C83	40700
Retainer (back window outer weatherstrip)	42094	Transfer (graining)-Model 79	20748
Retainer (back window outside moulding)-lower	42426	Trim (back door opening hinge pillar)	40456
Retainer (back window outside moulding)-upper	42444-5	Washer (back window swing arm)	5480
Retainer (back window weatherstrip)	42092	Washer (back window swing arm cup)	5465
Retainer (tail gate ornament)	42622	Weatherseal (back window)	42084
Retainer (tail gate to rear bumper stone deflector sealer)	44422	Weatherseal (tail gate)-side	41626
Retainer (tail gate weatherstrip)-bottom	43732	Weatherstrip assy. (lift gate) - Model 59,79-1952	43706
Retainer (tail gate weatherstrip)-bottom side	41646	Weatherstrip assy. (tail gate) - Model 59,79-1952	41608
Rod (license lamp leveling)	40356	Weatherstrip (back door)	43706-7
Rod assy (tail gate support)	44400-1	Weatherstrip (back window frame)	42261-5
Rod (tail gate hinge)	43030	Weatherstrip (back window frame)-Model 79	42086
Screw assy(rear sliding window locking thumb)-Model W81	3396	Weatherstrip (back window frame)-lower corner	42088-9
Seal (rear lamp access cover)	28665	Weatherstrip (back window glass)-Pass., Truck	42084
Seal (tail gate weather)	43016	Weatherstrip (back window glass)-Model W81	4220
Sealer (tail gate to rear bumper stone deflector)	44430	Weatherstrip (back window glass)	41936
Shim (tail gate lock striker plate)	44431	Weatherstrip (rear window sliding glass)	3371
Skid strip (tail gate)	44432	Weatherstrip (tail gate)	43726
Skirt assy (body panel)-lower rear	40322-3	Weatherstrip (tail gate)-bottom	43730
Skirt (back panel)-center	40311	Weatherstrip (tail gate)-bottom side-Model 79	41632-3
Sleeve assy. (luggage compartment door lock cylinder)	43603	Weatherstrip (tail gate)-bottom side-Model 79	41606
Spring (license lamp leveling rod) - Model 79B	40362	Welt (lift gate header and back door header trim)	42254
Spring (tail gate hinge)	42936	Window assy (back) -Model 79B	42000
Spr (back dr. o/side hdlc. button)	43445	Window assy (back) -Model 79	42002
Spr		Window glass assy (back) -Model 79	42006


**BUY IT NOW!**
**Click Here To Order**




## BODY PARTS CATALOGUE

## Alphabetical Index

## BODY ASSEMBLY

Group Name	Group Number	Group Name	Group Number
Anti-squeak (body to frame)	00150	Shim (body to frame)	11520
Anti-squeak (body to frame)	00154	Spacer (body to frame)	01740
Panel (body)-front center lower	0038	Spacer (body to frame)	11520
Panel (body)-lower rear	0302-4	Spacer (body to frame kickup front)	12296
Panel (body rocker)	10130-1	Spring (tension) - body to frame bolt	00131
Panel (body)-upper back	40514	Tape (asphalt sealing)	6491
Pillar (front body) - upper outer	02516-7		

## BODY SIDE

Group Name	Group Number	Group Name	Group Number
Brace (side pillar to wheelhouse)-No.1	29224	Pin (side rack hinge)-Model 80,86	6307
Cardboard assy (body lock pillar trim)	31252-3	Pin (side rack hinge)-Model Y80,86	28758
Extension (side panel)-lower	27892-3	Plate (rocker panel at center body pillar scuff)	13218
Frame assy (body side finish)-lower	28710-1	Pocket (stake)-front	5296
Frame assy (body side finish)-upper	28700-1	Pocket (stake)-side and rear	5294
Guard ass'y. (body side)-stone	25648-9	Pocket (stake) - side and rear 1952	28761
Hinge (side rack)	6304-5	Rack assy (front)-Model 80,86	6200
Moulding (body rocker panel)	10176-7	Rack assy (front)-Model C80,86,Y80,86	06300
Moulding (body side lining panel)-front-Model 79	29040-1	Rack assy (front side)-Model 8T80,86	6202-3
Ornament (body side)	25616-7	Rack assy (rear)-Model 80,86	6220-1
Panel assy (body rocker)	10128-9	Rack assy (rear)-Model C80,86,Y80,86	48000-1
Panel assy (body side finish)-lower	28710-1	Rack assy (rear side)-Model 8T80,86	6204-5
Panel (body rocker)	10130-1	Rack assy (side)-Model T80,86,W80	9202-7
Panel (body)-side lining-lower rear	3202-3	Rack assy (side)-Model C80,86,Y80,86	28734-7
Panel (body side outer finish)-lower front	27914-5	Rack assy (side intermediate)-Model 8T80,86	6206-7
Panel (body side outer finish)-lower rear	27906-7	Reinforcement (body side lower edge)-front	20030-1
Panel (body side outer finish)-upper	27880-1	Reinforcement (body side lower edge)-rear	20032-3
Panel (metal advertising)-Model Y80,86	28746	Retainer (body rocker panel moulding)	10198
Panel (metal advertising)-Model T80,86,W80	9330	Side assy (body)	20010-1
Panel (metal sign)-Model 8T80,86	6330	Stake assy	6280
Panel (side lining)-lower front	27948-9	Stake assy. (1952)	28732
Panel (side lining)-lower rear	27954-5	Stake	6230
Pin and chain assy (side rack hinge)	6310	Stake (rack)	06330
		Weatherseal (side panel to running board)	27838-9

## FRONT DOOR

Group Name	Group Number	Group Name	Group Number
Adaptor (door lock cylinder)	21953	Bracket (door check arm)	2842
Anti-rattler (door window regulator to inner panel)	23326	Bracket (door ventilating window upper pivot)	21464-7
Arm and plate assy. (door window regulator)	23234-5	Bracket (door window stop)	21760-1
Arm assy (door check)-Model 71	2888	Bumper (door)	2610
Arm assy (door check)-Truck	2176	Bumper (door)-upper	23030
Arm assy (door check)	23500	Bumper (door window regulator arm)	23295
Arm assy (door check)	24111	Bumper (door window stop)	21762
Arm assy (door check)	24140-1	Button and guide assy (door outside handle)	22454
		Button (door ventilating window handle)	22984
		Button (door ventilating window frame to panel)	22304-5
		Cardboard assy (door trim)	23882-3
		Panel and bracket assy (front door glass)	21462-3



BUY IT NOW!

Click Here To Order




**BODY PARTS CATALOGUE**
**Alphabetical Index**
**FRONT DOOR - continued**

Group Name	Group Number	Group Name	Group Number
Channel and retainer assy (front door glass)	21458-9	Glass assy (front door window)	21410
Chart (glass channels)-page 124		Glass assy (ventilating window)-complete with frame	21402-3
Check arm assy (door)-Model 71	2828	Glass chammel and bracket assy (front door)	21468-3
Check arm assy (door)-Truck	2176	Glass chammel and retainer assy (front door)	21458-9
Check arm assy (door)-front	23500	Glass chammel chart - page 48	
Clip (arm rest)	24146	Glass chammel (front door)	21462-3
Clip (door lock rod)	21952	Crummet (door lock knob)-70C	21999
Clip (door trim center foundation)-Model 70C	21006	Handle assy (door inside)	2402
Clip (door weatherstrip retainer)	20477-9	Handle assy (door window regulator)	3342
Control and link assy (door lock remote)	21818-9	Handle assy (window regulator)-door and quarter	23342
Cover (door lock cyl.)-replacement kit	21942-3	Handle assy (window regulator)-vent. and quarter	23410
Cover (window reveal moulding joint)	20925	Handle (door inside)	22614
Cylinder and key set (door and ignition lock)	22050	Handle (door outside)	22400-1
Decals (door panels) - Repair Kit -(Country Squire metal panels)	20400	Handle (door ventilating window)	22916-7
Door assy (complete)-less arm rest	20114-5	Handle (ventilator window)-1948 trucks	580-1
Door assy (front)-less paint, trim, and window regulator	20122-3	Hinge and retainer assy (door)-upper	22804-5
Door assy-Model 71	20116-7	Hinge assy (door)-lower	22810-1
Door bumper	2610	Hinge assy (door)-lower-Model W81	2454
Door bumper (lower)	6018	Hinge assy (door)-upper	22800-1
Door bumper (upper)	23030	Hinge assy (door)-upper-Model W81	2450-1
Door check arm assy-Model 71	2828	Hinge (door)	22814
Door check arm assy-Truck	2176	Hinge (door ventilating window upper pivot)	22976-9
Door check arm assy (front)	23500	Hinge (door ventilating window upper pivot) - 1952	21464-7
Door glass and frame assy	22218-9	Housing assy (door check arm)	2810
Door glass (front)	21410	Insert (door finish strip)	20988-9
Door glass (vent.)	21412	Key (door ventilating window handle locking)	22920
Door handle (inside)-Model 79B	2400-1	Kit (door arm rest assy.)	24140-1
Door handle (inside)	22614	Kit (door arm rest)-Truck	24111
		Kit (door lock cylinder cover and spring)	21942-3
Door handle (outside)	22400-1	Kit (dust & weatherproof sealing)-door	11700
Door lock assy	21812-3	Kit (graining)-Repair-79	20400
Door trim assy	23942-3	Knob (door locking control rod)	21850
Door window regulator	23200-1	Lever assy. (door lock operating)	21968
Dovetail assy (door)-female	23000	Lever (door lock operation)	21971
Dovetail assy (front door)-female	2570	Link ass'y. (front door window regulator)	23218
Dovetail (door)-male	23005	Lock and remote control assy (door)-Trunk	1850-1
Dust sealing kit (weatherproof)-door	11700	Lock and sleeve assy (door pillar)-w/ 2 keys	21584-5
Escutcheon assy (door inside and window regulator handle)	22618	Lock assy (door)	21812-3
Escutcheon assy (window regulator handle)-vent. and quarter	23404	Lock cylinder and key set (door and ignition)	22050
Escutcheon (front door lock cylinder)	21936	Lock remote control and link assy (door)	21618-9
Escutcheon (window regulator operating switch)-single	24250	Lock set (ignition and door)-with 2 keys	367-8
Escutcheon (window regulator operating switch)-four openings	24232	Loop (door check strap)-Model 79B	2886
		Moulding and retainer assy (door trim)	20942
		Moulding and retainer assy (door trim)-center lower	25552
		Moulding and retainer assy (door trim)-center upper	25550
		Moulding and retainer assy (front door)-Lower	20956
Finish strip and weatherstrip assy (door window)	25500-1	Moulding and weatherstrip assy (door window reveal)	20984-5
Finish strip assy (front door)	20904-5	Moulding assy. (door belt) -60,76	21010-1
Floor mat assy (front)	13000	Moulding (door inside)-front-Model 79	20990-1
Floor pan assy	11105	Moulding (door outside panel)-Pass.	20934-5
Floor pan (front)	11110-1	Moulding (door outside panel reveal)	20936-7
Frame assy (door finish)-upper	20405-7	Moulding (door)-outside-Model 79	20938-9
Frame assy (door finish)-lower	20400-1	Moulding (door)-outside-Pass.	20996-7
Frame (door window glass)	22220-1	Moulding (door trim)-bottom-Model 79	21094-5
Glass	22141	Moulding (door window finish strip)	21172-3
Glass		Moulding (front door garnish finish)	20988-9
Glass		Moulding (front door garnish strip)	20988-9
Glass		Door handle (side escutcheon)-Model 81,82-1944-47	2356
Glass		Door handle (side escutcheon)-Model 79,81,82	22428


**BUY IT NOW!**
**Click Here To Order**




## BODY PARTS CATALOGUE

## Alphabetical Index

## FRONT DOOR - continued

Group Name	Group Number	Group Name	Group Number
Pad (door glass frame to door panel)-hinge side	21388-9	Retainer (door opening header weatherstrip)-rear	20526-7
Pad (door handle)-outside-79	22448	Retainer (door outside handle button)	22459
Pad (door inside and window regulator handle)	22622	Retainer (door scuff plate finish plate)	13250-1
Pad (door lock striker plate)	22026	Retainer (door trim)-bottom-front	21032-3
Pad (door ventilating window regulator handle)	23465	Retainer (door trim)-front	20946-7
Panel Assy (door finish)-lower	20400-1	Retainer (door trim)-rear	21028-9
Panel Assy. (door trim)-upper	21304-1	Retainer (door trim)-top	21276
Panel (door garnish trim)	20966-7	Retainer (door weatherstrip)-at belt	21486-7
Panel (door inside lining)	20252-3	Retainer (door weatherstrip)-bottom-Track. -1946-48	20488
Panel (door outer finish)-Country Squire	20256-9	Retainer (door weatherstrip)-bottom-Track-1944-52	20712-3
Panel (door outside)-front-repair	20204-5	Retainer (door weatherstrip)-top	20478
Panel (door trim)-lower	23890-1	Retainer (front door glass rear)-lock side	21572-3
Panel (door trim)-upper	23858-9	Rivet (division bar weatherstrip)	21524
Pin (door handle retaining)-inside	23354	Rivet (door lock connecting link and lock)	2287
Pin (door hinge)	2475	Rod (door lock push button)-front	21852-3
Pin (door hinge)-Model 81,82	6335	Roller Assy. (door and quarter regulator arm)	23240
Pin (door hinge)-upper	22840	Roller (door window regulator arm)	23286
Pin (door inside handle and window regulator handle)	2790	Run and clip Assy (door glass)-lock side	21555
Pin (door outside handle release)	22438	Run and clip Assy (door glass)-lock side-lower	1833
Pivot (door ventilating window)-upper	22908-9	Run and clip Assy (front door glass)-hinge side	21498
Plate Assy (door lock latch pin)	22078-9	Run Assy (front door glass)-lock side-Model 71,76	21508-9
Plate Assy (door lock striker)	22008	Run Assy (front door glass)-lock side	21950
Plate (door arm rest attaching)	2918	Run (front door glass)-division bar	21546-7
Plate (door division channel lower bracket tapping)	22921	Run (front door glass)-lock side	21550
Plate (door inside panel cover)	21122-3	Run (front door glass)-hinge side-upper and top	1839
Plate (door lock cover)	21900-1	Run (front door glass)-lock side-Model 79B	21560
Plate (door lock striker)-Model 81,82	2340	Run (front door glass)-header	21610
Plate (door lock striker)	22010-1	Screw (door ventilating window upper pivot hinge)-1950	21480
Plate (door lock striker tapping)	22028	Seal (door outside finish rail)	20726
Plate (door lock striker plate tapping)	22020	Seal (door outside handle button and guide)	22478
Plate (door outside handle escutcheon)-bottom	22428		
Plate (door scuff)	13208-9	Sealing kit (dust and weatherproof)-door	11700
Plate (door outside name) - lower - "Squire"	21012	Shield (door lock cylinder water)	22059
Plate (door outside name) - upper - "Country"	20978	Shield (door ventilating window rain)	22884-5
Plate (front door arm rest attaching)	24130	Shm (door lock striker plate)	22058
Plate (window regulator and door handle)	23370	Sleeve (door lock pawl stop)-1950	21909
Rail Assy. (front door outside finish) upper	20424-5	Spacer (door window garnish moulding)	20922
Rail (front door outside finish) - lower	20402-3	Speed nut (attaching garnish moulding ornament) 1950	20898
Rail (front door outside finish) - upper	20960-1	Spring (door dovetail)	23020
Regulator Assy (door ventilator window)	23402-3	Spring (door inside and window regulator handle)	22624
Regulator Assy. (door window) - less arms - 1952	23802-3	Spring (door lock cylinder keyhole cover)	22006
Regulator Assy. (door window) less arms and link	23206-7	Spring (door lock handle cam)	21988
Regulator Assy (door window)	23200-1	Spring (door lock main)-Model 81,82-1944-47	1870
Rest Assy (front door)	24140-1	Spring (door lock main)	21858
Retainer and division bar Assy (front door ventilating window)	22204-5	Spring (door outside handle push button-1950 Models)	22462
		Spring (door lock slide toggle)-1950	21872-3
Retainer and weatherstrip Assy (door scuff plate)	13224-5	Spring (door lock release)	21966-7
Retainer Assy (door glass run)	1842-3	Spring (door regulator arm stud retaining)	23257
Retainer Assy (door glass run)-hinge side	21564-5	Spring (door regulator counterbalance)	23318
Retainer Assy (door glass run)-lock side	21570-1	Spring (door remote control)	21910
Retainer Assy (door lock striker plate nut)	2336	Spring (door ventilating window handle)	22986
Retainer Assy (door window regulator)	23350	Spring (door ventilating window pivot)	22926
Retainer Assy (door window weatherstrip)-Model-481	2232	Spring (door ventilating window regulator friction)	23424
Retainer Assy (door window weatherstrip)	20946	Spring (front seat track assist)	61828
Retainer Assy (door window weatherstrip)-Model-481	20946	Stop Assy. (door window) - upper	21756
Retainer Assy (door window weatherstrip)-Model-481	20946	Stop Assy (door window regulator)-lower	23486
Retainer Assy (door window weatherstrip)-Model-481	20946	Stop Assy (door glass)	23494
Retainer Assy (door window weatherstrip)-Model-481	20946	Stop Assy (door window regulator)-lower	23540



BUY IT NOW!

Click Here To Order





## BODY PARTS CATALOGUE

## Alphabetical Index

## FRONT DOOR - continued

Group Name	Group Number	Group Name	Group Number
Stop (door window regulator)-upper	23338	Weatherstrip Assy (front door glass)	21438-9
Stop (door window) - upper	21768	Weatherstrip Assy (front door ventilating window)	21448-9
Stop (door ventilating window pivot)	22927	Weatherstrip Assy (front door window glass)-inner	21452-3
Stop (door ventilating window pivot)-Pass., 1949-50	22992-3	Weatherstrip Assy (front door window glass)-outer	21444-5
Stop (ventilating window pivot)-Trucks	21507	Weatherstrip (door) - bottom - Trucks	20706
Strap (door check)	23504	Weatherstrip (door bottom)-Model W81	2230-1
Strip and spacer Assy (door window finish)	21030-1	Weatherstrip (door glass at belt)	21456
Strip and weatherstrip Assy (door window finish)	20902-3	Weatherstrip (door header glass)	21544
Strip Assy (front door window finish)	20904-5	Weatherstrip (door lock pillar)	20546-8
Strip (door glass retaining)	21424	Weatherstrip (door lock side)	20496-8
Strip (door ventilating window pivot retaining)	21478	Weatherstrip (door opening header)	20532-3
Strip (ventilating window glass retaining)	6175	Weatherstrip (door ventilating window)-lower corner	23038-9
Strip (window glass retaining)	6275	Weatherstrip (door ventilating window to door)-lower	22342
Stud (door regulator mounting)	23276	Weatherstrip (door window glass channel)	21510
Support Assy (door glass run)-hinge side	21938	Weatherstrip (front body pillar)-upper	02626-7
Support Assy (door glass run)-lock side	21514	Weatherstrip (front door glass header)	21544
Transfer (graining)-Model 79	20748	Weatherstrip (front door glass)-outer or inner belt	21467-7
Transfer (mahogany)	14587	Weatherstrip (front door hinge pillar)	20456-7
Trim Assy (door)	23942-3	Weatherstrip (front door opening header)	20511
Washer (door arm rest)	3930	Weatherstrip (front door window glass)-inner	21734
Washer (door lock connecting link and lock)	2293	Weatherstrip (front door ventilating window division bar)	21450
Washer (door ventilating window handle)	22982	Weatherstrip (front door ventilating window frame)	21454
Washer (door ventilating window pivot friction)	22963	Weatherstrip (front side rail)-folding top	20540-1
Washer (door ventilating window)-pivot	22915	Window and Retainer Assy (front door ventilator)	21228-9
Washer (front door regulator arm to retaining bracket)	23959	Window Assy (door ventilating)-complete	21402-3
Washer (front door regulator handle hole seal)	23294	Window Assy (front door ventilating)	21406-7
Weatherstrip Assy (door)-bottom	20394-5	Window regulator Assy (door)	23200-1
Weatherstrip Assy (door lock pillar)	20542-3	Window regulator Assy (door vent.)	23402-3
Weatherstrip Assy (door opening)-outer-1950	20530-1		
Weatherstrip Assy (door window finish strip)	21452-3		

## REAR DOOR

Group Name	Group Number	Group Name	Group Number
Arm Assy (rear door check)-Model 78,82	44100-1	Escutcheon (back door lock release lever)	43144
Arm Assy (rear door check)-Model 73	27200	Finish strip Assy (rear door)	25514-5
Bollcrank (rear door lock)	26448-9	Glass Assy (door ventilating window)-with frame	26866-7
Bracket (door window stop)	21760	Glass Assy (rear door ventilating)	26870
Bumper (rear door check arm rubber)	44123	Glass and frame Assy. (rear door vent. window)	26877-7
Bumper (rear door)-lower	6018	Glass channel and retainer Assy (rear door)	26828-9
Bumper (door window stop)	21762	Glass channel (rear door)	26828-9
Channel and Retainer Assy (rear door glass)	26828-9	Glass (rear door window)-Model 82	5510
Check arm Assy (door)-rear-Model 78,82	44100-1	Glass (rear door window)-Model 73,79B	25712
Check arm Assy (door)-rear-Model 73	27200	Guard Assy (rear door)-outside	25484-9
Clip (rear door lock rod)	21952	Handle Assy (rear door inside)	2400-1
Control and link Assy (rear door lock remote)	26404-5	Handle Assy (rear door inside pull-to)	2422
Door Assy (rear)-less paint, trim, and window regulator	24222-3	Handle Assy. (rear door outside)	26600-1
Door Assy (rear)-Model 78,82	40010-1	Handle Assy. (rear door outside) - Model 82	26600-1
Door Assy (rear)-complete-Model 79B	24600-1	Handle (rear door inside pull-to)	2422
Door check arm Assy (rear)	44100-1	Handle (rear door outside) - Model 79,78,79	43400
Door check arm Assy (rear)	27200	Hinge and reinforcement Assy (rear door)-lower	26832-3
Door check arm Assy (rear)	25712	Hinge Assy (rear door)-Model 82	2850-2
Door check arm Assy (rear)	26412-3	Hinge Assy (rear door)-Model 73,79B	26810-1
Door check arm Assy (rear)		Hinge Assy (rear door)-Model 78	42900-1
Door check arm Assy (rear)		Hinge Assy (rear door)-lower	42910-1
Door check arm Assy (rear)		Hinge Assy (rear door)-lower	26830



**BUY IT NOW!**

Click Here To Order





## BODY PARTS CATALOGUE

## Alphabetical Index

## REAR DOOR - continued

Group Name	Group Number	Group Name	Group Number
Hinge assy (rear door)-upper-Model 73,79B	26800-1	Run assy (rear door glass)	25760
Insert (garnish moulding)	20988-9	Run assy (rear door glass)-hinge side	25728
Latch and cam link assy (rear door)-upper-Model 82	5660	Run assy (rear window sliding glass)	3372
Latch and rod assy (rear door)-lower-Model 82	5664	Run (rear door glass)-Model 73A	26884
Latch and rod assy (rear door)-lower-Model 82	43294	Run (rear door glass)-hinge side	25788
Latch and strap assy (tail gate locking)	44408-9	Run (rear door glass)-lock side	25754
Latch assy (rear door)-upper-Model 82	43289	Run (rear door glass)-upper	25840
Latch, cam link and rod assy (rear door)-upper-Model 82	43292	Screw (rear door lock cylinder set)	0182
Lever (rear door inside locking)	26468	Screw (rear door lock slide shoulder)	5672
Link (rear door lock)	26420-1	Seal (door outside finish rail)	20726
Lock assy (rear door)-Model 73,79B	26412-3	Seal (door outside handle button and guide)	22478
Lock remote control and link assy (rear door)-Model 73	26404-5	Shim (door lock striker plate)	22058
Moulding and retainer assy (rear door trim)-lower	25578	Spacer (door window garnish moulding)	20922
Moulding and retainer assy (rear door trim)-upper	25588-9	Spring (rear door check arm)	27206
Moulding and weatherstrip assy (rear door window reveal)	25588-9		
Moulding (back door outside belt)	30242	Stop (ventilating glass frame pivot)	30226
Moulding (door inside)-rear-Model 79	20998-9	Stop (rear door ventilating window lower pivot)	26912
Moulding (rear door garnish finish)	25536	Strip assy (rear door window finish)	25514-5
Moulding (rear door panel)-outside	25594-5	Transfer (graining)-Model 79	20748
Moulding (rear door)-outside-Model 73	25586-7	Trim assy (rear door)	27406-7
Moulding (rear door outside panel reveal)-lower	25586	Weatherstrip assy. (rear door)	24324-5
Moulding (rear door outside panel reveal)-upper	25584	Weatherstrip assy. (rear door)-bottom	25104-5
Moulding (rear door panel)-Model 73-1946-48	25584-5	Weatherstrip assy. (rear door glass at belt) - outside	25596-7
Ornament assy. (body side)	25616-7	Weatherstrip assy. (rear door opening) - outer	20530-1
Ornament (garnish moulding)	20988-9	Weatherstrip assy (rear door window finish strip)	25584-5
Panel (door outside)-rear-repair	24704-5	Weatherstrip assy (rear door window glass)-inner	25854-5
Pin (rear door hinge)	26832	Weatherstrip assy (rear door window glass)-outer	25786-7
Pin (rear door outside handle release)	26438	Weatherstrip (door at wheelhouse)	2056
Plate (door scuff)-rear	13228-9	Weatherstrip (door header)	25112
Rail assy. (rear door outside finish) - center	25392-3	Weatherstrip (door hinge pillar)	25284-5
Rail (rear door outside finish)-upper	25320-1	Weatherstrip (door lock side)-upper and lower	25096-8
Regulator assy (rear door window)	27000-1	Weatherstrip (rear door)-C82	43706-7
Rest assy (rear door)	24140-1	Weatherstrip (rear door)-bottom-C82	43718-9
Retainer and division bar assy (rear door ventilating window)	26902-3	Weatherstrip (rear door glass)	25860
Retainer and weatherstrip assy (rear door scuff plate)	13252-3	Weatherstrip (rear door glass at belt) - inner	25604-5
Retainer (door bottom weatherstrip)-outer	25312	Weatherstrip (rear door lock side)-Model 82	5898
Retainer (rear door glass run)-hinge side	25758	Weatherstrip (rear door)-lock side-Model 82	43711
Retainer (rear door glass run)-lock side	25772-3	Weatherstrip (rear door top side and bottom)	5370-1
Retainer (rear door outside handle button)	22459	Weatherstrip (rear door ventilating window)	26898-5
Retainer (rear door scuff plate finish plate)	13262-3	Weatherstrip (rear door window)	41954
Retainer (rear door weatherstrip)-bottom-outer	25340-1	Weatherstrip (rear door window division bar)	26906
Rod (rear door lock push button)	26460	Windlace assy (rear door opening)	27542
Run and clip assy (rear quarter window glass)	30100	Window assy (rear door ventilating)-complete-Model 73-Window regulator (rear door)	26866-7 27000-1

## FLOOR

Group Name	Group Number	Group Name	Group Number
Angle (floor to side sill)	10274-7	Battery hanger assy	01664
Base (floor to chassis frame "U" bolt)-Model T80,W80,	10857	Board assy. (auxiliary floor)	11578
		Board assy. (rear floor to center seat)	11710
		Board (floor)	0337-4,3
		Bolt (floor to chassis frame front "U")-Model T80,W80,	5048
		8R80,T86,8R86	
		Bolt (floor to chassis frame front "U")-Model Y80,86	5050



BUY IT NOW!

Click Here To Order





## BODY PARTS CATALOGUE

### Alphabetical Index

#### FLOOR - continued

Group Name	Group Number	Group Name	Group Number
Bolt (floor to chassis frame "U")-Model Y80,86	5092	Panel and floor board riser Assy (cowl side)	02054-5
Bolt (floor to chassis frame "U")-Model T80,W80,8T80,8T86,8T86	5058	Panel and scuff plate Assy (rear cross sill)	10868
Bolt (floor to chassis frame "U")-Model D80,Y80	10264-5	Panel (floor)-C83-1944-50	11218
Bolt (floor to chassis "U")-front and rear	12620-2	Panel (floor board front)	11115
Bracket (floor side sill to frame)	5084	Panel (floor pan foot rest)	11370-1
Bracket (rear floor pan body bolt)	11332	Panel (rear floor sill)-rear	11318
Bumper Assy (pedal)	0430	Plate Assy (floor transmission cover)	12108
Bumper (pedal)	0986	Plate Assy (oil inspection cover)	10314
Carpet Assy. (front floor)-Crestliner	13018	Plate Assy (rear floor pan to body side panel duct cover)	12186-7
Carpet Assy (rear floor)	13046	Plate Assy. (transmission filler hole access)	12133
Cover and grommet Assy (front floor pan brake reservoir)	11136	Plate (floor pan overdrive opening cover)	12172
Cover (auxiliary floor board) - 59	11583	Plate (floor side sill to cross sill)	5066
Cover (floor board to wheelhouse filler) - rear	13089	Plate (floor side sill to cross sill and "U" bolt)	10898
Cover (rear floor pan gas gauge)	0662	Plate (floor side sill to "U" bolt)-Model 80,86	5060
Cover (rear floor pan gas gauge)	11290	Plate (floor side sill to "U" bolt)-front-Model C80,86	5160
Cover (rear floor to center seat board)	13095	Plate (floor side sill to "U" bolt)-rear-Model C80,86	5162
Extension Assy (rear floor pan)-rear	11245	Plate (floor transmission cover)-front	12115
Extension (rear floor pan to quarter panel)	11250	Plate (floor transmission cover)-rear	12120
Filler Assy. (rear floor board to wheelhouse)	11742	Plate (latch)-rear floor to center seat board	11753
Filler (pedal opening cover plate)-Model W81	0594	Plate (oil inspection hole cover)-Model W81	0385
Filler (pedal opening cover plate)-Trunk	12136	Plate (auxiliary floor front scuff)	11736
Filler (rear floor to quarter panel)	11128	Plate (oil inspection hole cover)-Model W81	11161
Floor (auxiliary) - Model 59,78	11580-1	Plate (pedal opening cover)-Model W81	0392-3
Floor board	0337-43	Plate (pedal opening cover)-bottom	12150-1
Floor pan Assy (rear)	11215	Plate (pedal opening cover)-bottom-Model J85	12150-1
Floor pan Assy (rear)	11216	Plate (pedal opening cover)-top	12145
Gasket (floor transmission cover plate)-front	12116	Plate (pedal opening cover)-top-Model J85	12148-9
Gasket (floor transmission cover plate)-rear	12121	Plate (pedal opening cover)-top front	12148
Gasket (floor transmission cover plate)-side	12122	Plate (pedal opening cover)-top rear	12152
Gasket (transmission cover)	12123-5	Plate (rear floor scuff) - Model Y83	0440
Grommet (clutch and brake pedal)	13094	Plate (rear floor scuff)-Model Y83-1948	13215
Hinge Assy. (rear floor to center seat board)	11778	Plate (transmission cover weather pad)	12131
Latch (rear floor to center seat board)	11755	Plate (transmission filler hole access)	12133
Loop (footman)	54810	Retainer (floor pan to quarter panel sealer)	11396-7
Mt Assy (center floor)	13040	Riser Assy (floor board)	12012-3
Mt Assy (center floor)-front	13031	Seal (floor pan overdrive cover plate)	12198
Mt Assy (floor)-Model W81	0400-1	Seal (transmission cover filler hole)-FORDOMATIC DRIVE	12179
Mt Assy (front floor)	13000	Sealer (floor board front panel)	11744
Mt Assy (front floor)-rear-Model 78	13021	Sealer (floor pan to quarter panel)	11394
Mt Assy. (rear floor) - Model 79B,W81	13056	Sill Assy. (floor cross)-center	10705
Mt (center floor)-Model 72C	13016	Sill Assy (floor cross)-front	0170
Mt (rear floor)-Truck except W81	13020	Sill Assy (floor cross)-intermediate	0092
Mt (rear floor)-Model 70A,73A-1950	13054	Sill Assy (floor cross)-No.1	0091
Mt (rear floor)-Model 79	13054	Sill Assy (floor cross)-rear	0097
Member Assy (floor side)-Model T80,86,Y80,86,W80	0078-9	Sill Assy (front cross)	10610
Member Assy (floor side)-Model 8T80,86	5078-9	Sill Assy (intermediate cross)	10660
Member Assy (floor side)-Pass., C80,86	10110-1	Sill Assy (rear cross)	10608
Member Assy (front floor cross)-rear-Model 79	10698	Sill Assy (rear cross)	10775
Pad (transmission cover weather)	12130	Skid strip (floor)-Model 82	0220
Pan and cross member Assy (front floor)	11134	Skid strip (floor)-Model T80,86,W80,8T80,86	0145
Pan Assy ( )	11105	Skid strip (floor)-Model C80,86,8T80,86	5145
Pan Assy ( )	11135	Skid strip (floor)-front and rear	12605-6
Pan s	11215	Spacer (frame side member)	10252
Pan		Spacer (frame side member)-center	10249
Pan		Spacer (frame side member)-front and intermediate	10248
Pan		(auxiliary floor finish)-front	11576
Pan		(auxiliary floor finish)-side	11572-3
Pan		(floor skid)-Model 82	0220



## BUY IT NOW!

Click Here To Order





BODY PARTS CATALOGUE

Alphabetical Index

FLOOR - continued

Group Name	Group Number	Group Name	Group Number
Strip (floor skid)-Model T80,86,W80,8r80,86	0145	Strip (rear floor finish)-wheelhouse-side	13210-1
Strip (floor skid)-Model C80,86,8r80,86	5145	Strip (rear floor to center seat board finish)-front and rear	11788-9
Strip (floor skid)-front and rear	12605-6		
Strip (rear floor finish)-front	13215	Support and panel Assy (floor cross member)-rear	10800
Strip (rear floor finish)-rear	13222	Support (floor)	00140
Strip (rear floor finish)-wheelhouse-rear	13234-5		

FRONT

Group Name	Number Group	Group Name	Group Number
Adjuster (cowl ventilator cover)	02206	Front Assy (body)	00120
Bar Assy (body front tie)	02914	GasMtx (ventilator air valve)	01880
Brace Assy (cowl ventilator pivot plate)	02184	Grommet (hand brake cable and speedometer cable)	01695
Brace Assy. (dash to frame)	01714-5	Handle (engine cover)-Model J85	26280
Brace Assy. (steering column to w/shield reinforcement)	03036	Handle (heater door)	19203
Brace (cowl ventilator pivot plate)	02186-7	Handle (outside assist)-Model W81	3080
Brace (dash panel to frame)	01726-7	Handle (outside assist)-Model W81	40346
Bracket (cowl ventilator lever pivot plate to dash)	02185	Handle (register door)	01844
Bracket (tool compartment support)-Model C81,861	46160	Handle Assy (battery)	01664
Bumper (between front panel and cab)	9145	Hinge (cowl ventilator lever support)	02210
Bumper (cowl side panel to hood)	02113	Insulator (cowl)-upper	26194-5
Bumper (tool compartment Assy)	81167	Insulator Assy (dash)	01670-1
Bumper (ventilating register Assy)	06066	Insulator Assy (dash to engine cover panel)	10330
Button (engine cover panel turn)	0371	Insulator (engine cover side panel)	0462
Cardboard Assy (cowl trim panel)	02340-1	Insulator (engine cover top panel)	0460
Cardboard (cowl side and roof water deflector)	02362	Insulator (engine cover side panel spark plug)	02394
Cardboard (cowl trim)	02344-5	Knob (cowl ventilator lever)-Pass., Station Wagon	7213
Circuit breaker	12250	Knob (cowl ventilator lever)-Truck	02145
Clamp Assy (engine cover)-Model J85 - 1948-52	10391	Moulding Assy. (cowl trim)-lower 70C	02368-9
Clip (cowl side ventilator hinge spring)	0558	Moulding Assy. (cowl trim)-upper 70C	02372
Clip (cowl wiring to dash)	14577	Moulding (cowl outside panel)	02328-9
Compartment Assy (tool)-Trucks	46100	Moulding (drip)-front body pillar	02512-3
Connector (ventilator air duct)	01878	Moulding (front fender)-Ford	16003-4
Control Assy (air)	01890-1	Moulding (front fender)-Ford Custom	16188-9
Cover and deflector Assy (cowl ventilator)	02108	Moulding (front fender)-lower-70C	16168-9
Cover and deflector Assy (cowl ventilator)-Model 81,82	02133	Nut (cowl ventilator cover adjuster)	02214
Cover Assy (cowl side ventilator)	02104-5	Ornament (cowl ventilator cover)	02374
Cover Assy (dash panel No. 1 body bolt access)	01616	Pad (door lock cylinder)	22042
Cover Assy (engine)-Model J85	10308	Pad (hand brake weather)	0384
Cover Assy. (engine)-front-J85	10370	Panel and pillar Assy (cowl side)	02154-5
Cover (battery)	0753	Panel and pillar Assy. (cowl side)-inner-J85	02038-9
Cover (dash panel opening)	01756	Panel Assy (cowl side)	0510-1
Cover (hand brake cable opening in dash)	01641	Panel Assy. (cowl side)-outer-J85	02402-3
Damper Assy (ventilator air valve)	01862	Panel Assy (cowl side end filler)	02034-5
Dash insulator Assy	01670	Panel Assy (cowl top)	02010
Dash panel	01610	Panel Assy. (cowl trim)-side-70C-1950-51	02346-9
Decalcomania (Fordomatic Drive)-oil instructions	12173	Panel Assy (cowl ventilator cover)	02133
Decalcomania (transmission speed information)	01621	Panel Assy (dash)	01610
Duct Assy (ventilating air)-front	01912	Panel Assy (engine cover)-Model W81	10308
Duct Assy (ventilator air)	01902-3	Panel Assy (engine cover side)-Model W81	11802
Duct Assy (ventilating air duct)	01438	Panel Assy (engine cover side)-Model W81	11319
		Panel Assy (engine cover side)-rear-Model W81	0500
		Panel Assy. (engine cover)-rear-J85	10351
		Panel Assy (engine cover to wheelhouse)-LR-Model J85	10309
		Panel Assy (engine cover top)-front-complete-Model W81	0518



**BUY IT NOW!**

**Click Here To Order**





## BODY PARTS CATALOGUE

## Alphabetical Index

## FRONT - continued

Group Name	Group Number	Group Name	Group Number
Panel Assy (front pillar and cowl side)	02042-3	Screen (duct opening)-front-Model J85	01909
Panel Assy. (wheelhouse)-J85	02020-1	Screen (duct opening)-rear-L.H.-Model J85	01911
Panel Assy. (wheelhouse)-inner-RH-J85	02466	Screen (duct opening)-rear-R.H.-Model J85	01908
Panel (body pillar)-outer	02506	Screen (ventilating air duct)-front	01900
Panel (cowl top)-outer	02015	Seal (battery cover weather)	0765
Panel (cowl trim)	0680-1	Seal (dash support to cowl side)-J85	02484
Panel (dash)	01605	Seal (engine cover)-front-Model J85	10322
Panel (dash support to cowl side seal)-J85	02482-3	Seal (engine cover hinge)	10367
Panel (dash to engine cover)	11210	Seal (engine cover)-Model J85	10320
Panel (engine cover side)	11219	Seal (engine cover)-rear	10324
Panel (engine cover top)-rear	0379	Seal (hood hinge bracket to body)	16878
Panel (front belt rail finish)	1560	Seal (pedal opening)	12176
Panel (front)-Model C83	00124	Seal (wheelhouse panel to cowl side)-LH-J85	02484
Panel (front)-Model Y83	0360	Sealer (dash to cowl top panel)	0733
Panel (side window header)-inner	02458-9	Sealer (dash to steering post and shifter shaft)	01731
Panel (side window header)-outer	02456-7	Sealer (engine cover panel)	0448
Panel (wheelhouse)-Model W81	27500-1	Seat (accelerator pedal)	12177
Panel (wheelhouse)-inner-LH-J85	02048-9	Spring (cowl side ventilator hinge)	0659
Pillar Assy (front body)-upper inner	02522-3	Spring (cowl ventilator lever ratchet)	0615
Pillar Assy (front body)-upper outer	02536-7	Strip (front body pillar finish)	1000-1
Plate (accelerator pedal seal)	02516-7	Support and brace Assy (dash to frame)	01790-1
Plate and arm Assy (cowl ventilator)	12117	Support Assy. (brake pedal)	01508
Plate and arm Assy (cowl ventilator pivot)	02120	Support Assy (side panel front)-Model C & Y 83	0522-3
Plate Assy (heater opening cover)	02117	Support Assy (side panel rear)-Model C & Y 83	0530-1
Plate Assy (steering column opening cover)-L.H.	01845	Support (upper grille panel hinge)	02026-7
Plate (heater opening cover)	01683	Support (wheelhouse panel to cowl side seal)	02058-9
Plate (steering column opening cover)-top	01846	Switch Assy. (courtesy or dome lamp)	13731
Plate (steering column opening tie)	01698-9	Switch (starter)	11490
	01748	Valve Assy (ventilator air)	01850-1
Plate (steering post bracket reinforcement)	1584	Ventilator Assy (cowl)	02104
Plug (when courtesy lamp is not used)	02154-5	Ventilator cover and deflector Assy (cowl)	02108
Register Assy (ventilation)	01814-5	Ventilator cover Assy (cowl side)	02104-5
Reinforcement and hinge Assy (cowl ventilator opening flange)	02128	Ventilator deflector and cover Assy (cowl)	02133
Reinforcement (cowl side panel outer at wheelhouse opening)	02356-7	Ventilator weatherstrip (cowl)	02330
Reinforcement (cowl side panel upper hinge)	02090-1	Ventilator weatherstrip (cowl side)	0616
Reinforcement (side panel flare)-Model C83, Y83	0538	Washer (cowl ventilator lever friction)	0537
Retainer (cowl cardboard)	02354-5	Washer (cowl ventilator lever ratchet spacer)	0525
Retainer (dash to cowl top panel seal)	0732	Weatherstrip (cowl side ventilator)	0616
Retainer (front body pillar upper weatherstrip)	02594-5	Weatherstrip (cowl ventilator)	02330
Retainer (front body pillar weatherstrip)-upper	02564-5	Windlace and reinforcement Assy (front body pillar)	02606-7
Retainer (wheelhouse panel seal)	10053	Windlace Assy. (front body pillar)	02610
Screen Assy (cowl ventilator)	0590	Windlace Assy (front body pillar and door opening header)	02600-1
Screen Assy (cowl ventilator)	02280	Windlace Assy (front body pillar door opening header and body lock pillar)	02610



**BUY IT NOW!**

**Click Here To Order**



PayPal

MasterCard

Discover

MasterCard

VISA



## BODY PARTS CATALOGUE

## Alphabetical Index

## GLOVE COMPARTMENT

Group Name	Group Number	Group Name	Group Number
Bracket (glove compartment lock mounting)	06142	Glove compartment assy	06010
Bumper (glove compartment and fuel tank filler neck lid)	06066	Grommet (glove compartment door check arm)	06122
Bumper (glove compartment door)	1671	Grommet (glove compartment door stop)	06066
Bumper (glove compartment)-Trucks Pass. 1950	06066	Handle (glove compartment door)	06060
Compartment assy (glove)-Model W81	1642	Hinge and support assy (glove compartment door)	06042
Compartment assy (glove)	06010	Hinge assy (glove compartment door)	06050
Door and hinge assy (glove compartment)	06034	Key (glove and luggage compartment door cylinder lock)	43562
Door assy (glove compartment)-Pass., Station Wagon	06024	Lock assy (glove compartment door)	06081
Door assy. (glove compartment)-Pass., Station Wagon-1950	06028	Lock set (glove and luggage compartment)-with 2 keys	3689
Door assy (glove compartment)-Truck	06034	Ornament (glove compartment door)	06140
Door bumper (glove compartment)	1671	Panel assy (glove compartment door trim)	06090
Door bumper (glove compartment)	06066	Plate (glove compartment door lock striker)	06064
Door lock assy (glove compartment)	06081	Spring (glove compartment door)	06068
Glove compartment assy-Model W81	1642	Spring (glove compartment door)	06069
		Spring (glove compartment door)-Model 81,82	1649
		Stop (glove compartment door)	06117

## HYDRAULIC SYSTEM - CONVERTIBLE

Group Name	Group Number	Group Name	Group Number
Armature assy (complete)	53349	Grommet (body hinge pillar)	02548
Ball (hydraulic pump reservoir)	53378	Grommet (door hinge pillar hydraulic tubing)	24223
Ball (hydraulic pump drive)	53433	Grommet (hydraulic pump mounting bracket)	53428
Ball (hydraulic pump valve)	53432	Grommet (hydraulic tube)	14603
Band assy (hydraulic pump motor head)	53348	Holder assy (head and brush)-commutator end	53387
Bolt and washer assy. (hydraulic pump)	53434	Hose assy (door window hydraulic control)	23584
Bracket assy. (hydraulic motor mounting)	53384	Hose assy (hydraulic pump to tap control valve)	53341-2
Bracket (hydraulic motor mounting cushion)	53384	Hose assy (hydraulic top operating)	50646
Bracket (hydraulic window regulator arm)	23236	Hose assy (pump to hydraulic tube)	23592
Bracket (top control)	50582	Housing assy (hydraulic pump)	53395
Bracket (top control rod)	16930	Housing (hydraulic pump valve)	53415
Bracket (top operating motor and pump)-lower	50759	Motor and hydraulic pump assy -1949-50	53335
Bracket (top operating motor and pump)-upper	50757	Motor and hydraulic pump assy (complete)-1946-48-49-50	50736
Bracket (top operating valve)	50686	Motor assy. (hydraulic pump)-1951	53401
Breaker (circuit)	12250	Motor assy. (top lift) - 1952	15664
Brush (frame and field assy)	53383	Nut (hydraulic pump reservoir stud)	53447
Cable assy (starter solenoid to pump solenoid)	14506	Nut (hydraulic pump motor to mounting bracket)	53461
Cap (hydraulic pump reservoir filler)	53397	Plate (hydraulic pump)-bottom	53409
Clip (door hydraulic regulator conduit)	24306	Plate (hydraulic pump)-port	53405
Clip (door window regulator switch wire)	14586	Plate (hydraulic pump)-rotor	53404
Clip (tube and wiring)	50677	Plate (reservoir fluid)	53388
Connector (quarter window hydraulic regulator piston rod)	30350	Plate (window regulator operating switch anchor)-single	24207
Conduit (door window regulator tube)	24258	Plate (window regulator operating switch anchor)-four openings	24235
Clip (quarter window regulator wire)	14588	Plug (hydraulic pump)-valve adjuster	53413
Cushion (folding top lift motor support)	53382	Plunger (hydraulic pump valve)	53385
Cylinder and yoke assy	50601	Reservoir (hydraulic pump)-1946-47, 1951	53396
Cylinder assy (door window regulator hydraulic)	23244	Reservoir (hydraulic pump)-1949-50	53376
Cylinder (quarter window regulator)	30340	Retainer assy (hydraulic tube)-grommet	14608
Control	50578	Retainer (hydraulic pump reservoir seal)	53446
Control	50578	Retainer (reservoir fluid)	53389
Control	50578	Rotor assy (hydraulic pump)-inner and outer	53400
Control	50578	Seal (hydraulic pump)-bottom plate	53408
Control	50578	Seal (hydraulic pump)-bottom	53406

**BUY IT NOW!****Click Here To Order**


**BODY PARTS CATALOGUE**
**Alphabetical Index**
**HYDRAULIC SYSTEM - CONVERTIBLE - continued**

Group Name	Group Number	Group Name	Group Number
Seal (hydraulic pump motor to mounting bracket)	53444	Tube assy (door and quarter window hydraulic control)	23578
Seal (hydraulic pump reservoir)	53445	Tube assy (door and quarter window hydraulic control) -to motor	23576-7
Seal (hydraulic pump mounting screw)	53358	Tube assy (door window hydraulic control) -to owl	23580
Sleeve (hydraulic pump mounting bracket grommet)	53429	Tube assy (hydraulic top)-pressure up	53353
Slinger (hydraulic pump oil)	53443	Tube assy (hydraulic top)-pressure down	53390-1
Solenoid (hydraulic pump motor)	53380	Tube assy (hydraulic top)-pressure up	53392-3
Spacer (folding top lift motor support)	53382	Tube assy (hydraulic top)-pressure down	53361
Spacer (vacuum cylinder to floor bracket)	50606	Tube assy (hydraulic window control)-on door	24296
Spring (hydraulic pump)-rotor	53407	Tube assy (quarter window hydraulic control)	27076
Spring (hydraulic pump)-valve	53412	Tube assy (quarter window hydraulic control)	27080
Spring (hydraulic window regulator counterbalance)	23318	Tube assy (quarter window hydraulic control)	27074
Spring (top slat iron counterbalance)	50420	Valve (hydraulic pump)	53410
Strap (ground)	14519	Washer (hydraulic pump)	53411
Strap (hydraulic pump motor to solenoid)	53386	Washer (hydraulic pump motor armature shaft)-upper & lower	53352-3
Stud (frame & field assy)	53377	Wire assy (cloth top elevating switch to hydraulic solenoid)	14332
Stud (hydraulic pump reservoir)	53431	Wiring assy (door windows and top regulators)	13708
Stud (quarter window hydraulic regulator connector)	53326	Wiring assy (rear quarter window regulators)	14339
Switch assy (hydraulic window regulator control)	24206	Wiring assy (window regulator switch to solenoid)	14508
Top hydraulic cylinder and yoke assy	50601	Wiring (hydraulic pump motor to circuit breaker)	14352
Tube assy (automatic top hydraulic)	50648-9	Yoke (top hydraulic cylinder)	50774
Tube assy (automatic top hydraulic)-upper	50722-3		
Tube assy (automatic top hydraulic)-lower	50796-7		
Tube assy (door and quarter window hydraulic control) -on dash	23568-9		

**INSTRUMENT PANEL**

Group Name	Group Number	Group Name	Group Number
Ash receptacle box and snuffer assy (instrument panel)	04821	Element and knob assy. (cigar lighter)	15052
Bezel (instrument panel clock opening)	04504	Element assy (cigar lighter)-manual	1640
Bezel (top control knob)	15677	Element assy (cigar lighter)-automatic	04616
Bolt assy. (instrument panel radio and cigar lighter hole cover)	04449	Esoutchson (cigar lighter)	04646
Box and snuffer assy (instrument panel ash receptacle)	04821	Extension assy (radio receiver support)	04429
Bracket assy. (instrument cluster mounting)-Truck	04387	Grille and screen assy (instrument panel radio)	04114
Bracket (instrument panel top control)	50582	Grille (instrument panel radio)-Truck	04352
Bracket (ventilator air control)	01938	Grille (instrument panel radio) -Pass., Station Wagon	04405
Bracket (ventilating window pivot plate)-upper	30288	Grommet (dash panel overdrive cable)	01694
Button (instrument panel antenna hole)	04395	Guide (instrument panel ash receptacle)	04814
Cable assy (heater air control)	01890	Handle (instrument panel ash receptacle cover)	04830
Cigar lighter assy-automatic	04600	Knob (heater air control)	01892
Cigar lighter assy (element and knob)	04610	Kit (cigar lighter element display)	04603
		Kit (illuminated cigar lighter)-automatic	04601
Cigar lighter element manual	1640	Lamp assy (cigar lighter)	04675
Cigar lighter element and knob assy automatic	04610	Lighter assy (cigar)-automatic	04600
Cigar lighter kit (illuminated)	04601	Medallion (clock opening)	04428
Clip (instrument panel clock opening cover)	04440	Medallion (instrument panel)	04539
Clip (instrument panel heater control opening cover)	04491	Moulding (ash receptacle)-Trucks	04458
Clip (instrument panel radio opening cover)	04416	Moulding (instrument panel)-center	04458
Cover assy (instrument panel ash receptacle opening)	04818	Moulding (instrument panel clock opening)	04504
Cover assy (instrument panel heater control opening)	04489	Moulding (instrument panel cluster)	04686-7
Cover assy (instrument panel radio push-button opening)	04360	Name plate (instrument panel radio grille)-70C	04460
Cover assy (instrument panel ash receptacle)	04819	Ornament (instrument panel end)	04404
		Ornament (instrument panel radio grille)	04402
		Ornament (radio opening cover)	04422
		Ornament (instrument panel medallion)	04541


**BUY IT NOW!**
**Click Here To Order**




## BODY PARTS CATALOGUE

## Alphabetical Index

## INSTRUMENT PANEL - continued

Group Name	Group Number	Group Name	Group Number
Panel and handle assy (instrument panel ash receptacle top)	04804	Plate (instrument panel name)	04460
Panel and medallion assy (instrument panel trim)	04430	Plug (dash panel transmission access)	01647
Panel assy (instrument)	04320	Receptacle assy (instrument panel ash)	04800
Panel assy (instrument cluster trim)	04300	Receptacle assy (instrument panel ash)	04810
Panel (instrument panel finish)	04338-9	Retainer assy (instrument panel ash receptacle)	04826
Panel (instrument panel trim)	04000-1	Retainer (instrument panel medallion)	04540
Plate assy. (instrument panel steering column finish)	04467	Retainer (instrument panel ornament)	04439
Plate assy (radio opening cover)	04370	Screen (radio grille)	04461
Plate (instrument cluster mounting)	04339	Socket and retainer ass'y. (cigar lighter)	15095
Plate (instrument panel medallion mounting)	04564	Support assy. (brake pedal)	01508
Plate (instrument panel radio dial hole)	04371	Support assy (radio speaker)	04433
		Tube assy (cigar lighter socket)	04620

## LUGGAGE COMPARTMENT

Group Name	Group Number	Group Name	Group Number
Arm assy (luggage compartment door support)	44200-1	Frame (coronado deck tire cover license plate)	47234
Board assy (luggage compartment tool compartment cover)	46102-3	Grummet (luggage compartment door handle)	43553
Board (luggage compartment tool compartment cover)	46106	Guard (luggage compartment door lock)	43554
Body assy (rear license plate lamp)	13553	Gusset assy (luggage compartment opening to floor)	44826-7
Bolt (luggage compartment door handle trigger to lock retainer)	43575	Model 70,72B,73,76,77	
Bolt (luggage compartment door lock handle)	43506	Gusset assy (luggage compartment opening to floor side)-Model 71	40812-3
Bracket assy. (luggage compartment door hinge to wheel-house)	42704-5	Gusset (luggage compartment opening)	44814-5
Bracket assy (luggage compartment door support arm)-on body	44218	Gusset (luggage compartment opening to floor)	44830-1
Bracket assy (luggage compartment spare wheel mounting)	47070	Gusset (luggage compartment opening)-upper reinforcement	44838
		Gusset (luggage compartment upper to quarter panel reinforcement)	40650
Bracket (luggage compartment door hinge support)-front	42754	Handle assy (luggage compartment door)-Pass.	43500
Bracket (luggage compartment door lock striker)	43275	Handle assy (luggage compartment door)-LH	43525
Bracket (luggage compartment door support arm)-on body	44220-1	Hinge assy (luggage compartment door)	42700-1
Bracket (luggage compartment door support arm)-on door	44224	Hinge ass'y. (luggage compartment door)-less spring	42702-3
Bumper (luggage compartment door)	43800	Key (luggage and glove compartment door cylinder lock)	43562
Button (luggage compartment tool compartment cover board turn)	45618	Link (luggage compartment door lock bolt)	43226
Cap (coronado deck tire cover)	47230	Lock assy (luggage compartment door)	43200
Cardboard assy (luggage compartment)-front	45443	Mat (luggage compartment floor)-Model 71	45490
Cardboard (luggage compartment)-front	45444	Mat (luggage compartment floor)-Pass, except 71	45462
Cardboard (luggage compartment)-front	66916	Mat (luggage compartment floor)-rear side	
Cardboard (luggage compartment)-side	45416-7	Moulding assy. (luggage compartment door handle)	43530
Clamp (luggage compartment front cardboard)	45453	Moulding (coronado deck tire cover license plate)	47238
Clip (luggage compartment weatherstrip)	44817	Moulding (luggage compartment door)-upper and lower	42510-3
		Name plate assy (luggage compartment)	42514
Control and link assy (luggage compartment door remote)	43272	Ornament (luggage compartment door)	42508
Cover ass'y. (coronado deck tire)	47200		
Cover (luggage compartment door hinge)-on body	42736	Pad (luggage compartment door handle base)	43531
Cover (luggage compartment lock key hole)	43514	Pad (luggage compartment door ornament)	16675
Cover (luggage compartment lock keyhole)	43516	Pad (luggage compartment name plate to deck lid)	42526
Cylinder (luggage compartment lock)	43505	Pin (luggage compartment door hinge)	42718
		Plate assy (name)-luggage compartment	42514
		Plate (luggage compartment door lock striker)	43622
		Plate (luggage compartment door lock striker tapping)	43222
		Plate (luggage compartment opening to floor strainer ping)	44821
		Plate (name)-on deck lid	16605

**BUY IT NOW!****Click Here To Order**



## BODY PARTS CATALOGUE

## Alphabetical Index

## LUGGAGE COMPARTMENT - continued

Group Name	Group Number	Group Name	Group Number
Reinforcement and door hinge support assy (luggage compartment opening)	44808	Spacer (luggage compartment door pad to handle)	43611
Reinforcement assy (luggage compartment door handle)	43518	Spring (luggage compartment door handle keyhole cover retainer)	6989
Reinforcement (luggage compartment door)-bottom	40816	Spring (luggage compartment door lock bolt)	43338
Reinforcement (luggage compartment door)-top	40818	Spring (luggage compartment door lock keyhole cover)-1950-51	43567
Reinforcement (luggage compartment door hinge)-on body	44844	Spring (luggage compartment door support arm)	44236
Reinforcement assy (luggage compartment opening)-upper	44802	Spring (luggage compartment door lock cam)	43219
Reinforcement (deck lid hinge)	44841	Spring (luggage compartment door lock cylinder keyhole cover)-1951-52	22006-7
Reinforcement (floor pan at luggage compartment door strike plate)	11236	Spring (luggage compartment door lock handle return)	43507
Reinforcement (luggage compartment opening)-upper	44824-5	Spring (luggage compartment door lock latch)	43238
Reinforcement (luggage compartment door side)	44822-3	Spring (luggage compartment door lock remote control)	43288
Reinforcement (luggage compartment)-upper	6979	Spring (luggage compartment door lock trigger)	13031
Retainer (luggage compartment door handle key hole cover spring)		Strainer (luggage compartment opening)-upper	44842
Retainer (luggage compartment door lock)	43539	Strainer (luggage compartment opening to floor)	44806
Retainer (luggage compartment opening to floor tapping plate)	44860	Strainer (luggage compartment to floor)	44820
Retainer (luggage compartment door ornament)	42522	Strip (luggage compartment opening breaker)	43734
Seal (acronado deck tire cover)	47222	Support assy. (luggage compartment door hinge)-on body	42714-5
Seal (luggage compartment door lock trigger)	43623	Support assy. (luggage compartment door hinge to body)	42794-5
Seal (luggage compartment ornament)	42519	Trigger (luggage compartment door lock)	43606
Shim (luggage compartment door hinge)	42761	Trough (luggage compartment door opening)-drain side	45114-5
Shim (luggage compartment door lock)	43522	Weatherstrip assy (luggage compartment door)	43720
Slide (luggage compartment door support)	44230	Weatherstrip (luggage compartment)-Pass.	43724
Spacer (luggage compartment door lock retainer to deck lid)	43560	Weatherstrip (luggage compartment door)-Model 71	43727

## PACKAGE TRAY

Group Name	Group Number	Group Name	Group Number
Board (package tray bottom)	46548	Panel and rail assy. (package tray)	46508
Bracket assy (package tray rear panel to floor strainer)-lower	46790	Panel assy (package tray)	46506
Bracket (package tray rear panel to floor strainer)	46608-9	Panel (package tray)-Model 72C	46910
Bracket (package tray to floor strainer)	46612-3	Reinforcement (package tray)-front	46516
Bumper (quarter window stop) inner	29994	Retainer (package tray to floor cardboard)	46682-3
Cardboard (package tray)	46656	Strainer and bracket assy (package tray)	46574-5
Cardboard (package tray rear lining)	46642	Strainer (package tray panel to floor)-rear	46528-9
Cardboard assy. (package tray to floor)-less retainer	46650	Strainer (package tray to floor)	46610-1
Cardboard (package tray to floor)-trim	46660	Strip assy (package tray tacking)	46690
Cover (package tray bottom board)	46654	Strip (package tray tracking)	46692
Gusset (package tray front corner)	46576-7	Support assy (package tray)	46590
Panel and support assy (package tray)-rear	46512	Trim assy (package tray)	46658
		Welt assy (package tray bottom board)	46672

## CENTER PILLAR

Group Name	Group Number	Group Name	Group Number
Brake		Trim (center body pillar inside garnish)-upper	24346-7
Brake		Trim (center body pillar inside garnish trim)	24348
Mould		Trim (center body pillar outside belt)	24462
Mould		Trim (center body pillar trim)	24576



# BUY IT NOW!

Click Here To Order





## BODY PARTS CATALOGUE

## Alphabetical Index

## CENTER PILLAR - continued

Group Name	Group Number	Group Name	Group Number
Pillar Assy (center body)-Model 73	24300-1	Strip Assy (center body pillar finish)	24344-5
Pillar Assy (center body)-Model 79B	24304-5	Trim Assy (center body pillar)	24446-7
Pillar Assy (lock side)-Model 082A	28172-3	Windlace and reinforcement Assy (center body pillar and front door opening)	24542-3
Rail (center body outside finish)-lower-less transfer	24368-9	Windlace and reinforcement Assy (center body pillar and rear door opening)	24544-5
Rail (center body outside finish)-upper-1988 transfer	24366-7		
Retainer (center body pillar outside finish rail)-upper	24388		

## QUARTER

Arm rest Assy (quarter)	31600-1	Deflector (quarter window drain)	29739
Assist (strap Assy)	31440	Drain (quarter ventilating window)	29731
Bar and Bracket Assy (quarter window division)	30234-5	Extension (quarter panel)-lower-rear	28058-9
Bar and glass run Assy (quarter window division)	30232-3	Extension (quarter panel to luggage comp. opening)	27934-5
Bar Assy. (quarter window division)	30230	Fender (rear)-repair panel	27846-7
Bolt (quarter window sliding glass latch)-front	29676	Fender shields	27968-9
Bolt (quarter window sliding glass latch)-rear	29678	Ferrel (quarter ventilating window drain)	29731
Brace Assy (quarter lock pillar to floor)	29406-7	Filler Assy. (floor pan to quarter panel)	11220-1
Brace Assy. (quarter lock pillar to floor)	28206-7	Filler Assy. (quarter window opening)	29978
Brace (quarter lock pillar to roof)	29234	Filler (quarter panel lock pillar)	28206-1
Brace (quarter panel to package tray)	46624-5	Filler (quarter wheelhouse to package tray)	31034
Brace (quarter pillar to roof)	29236-7	Finish strip and weatherstrip Assy (quarter window)	29900-1
Brace (rear floor to quarter panel)	27754-5	Finish strip Assy (quarter window)	29002-3
Bracket (coat hanger)	31452	Finish strip Assy. (quarter window)-upper	29006-7
Bracket (quarter arm rest attaching)	31624	Finish strip (quarter window)	29004-5
Bracket (quarter regulator panel to trim panel)	30308-9	Finish strip (quarter window)-rear	29010-1
Bracket (quarter wheelhouse to fender splash guard)	27911	Frame Assy (quarter window finish)-upper	28710-1
Bracket (quarter window)	29932-3	Frame Assy (quarter window finish)-lower	28710-1
Bracket (quarter window guide)	30374-5	Frame Assy (quarter window regulator)	30712-3
Bracket (quarter window stop)	29998	Frame Assy. (quarter window)-top and side	29962-3
Bracket (rear quarter window regulator)	30308	Glass and frame Assy (quarter)	29700-1
Bumper (fuel tank filler neck lid)-1950 Pass.	28611	Glass and frame Assy (quarter)	29718-9
Bumper (fuel tank filler neck)-Model 78	05066	Glass and frame Assy. (quarter ventilating window)	30218-9
Bumper (quarter window stop)-outer	29986	Glass and frame Assy (quarter window)	30506-7
Button Assy. (quarter trim panel)	23932	Glass Assy (quarter ventilating window)	30210
Cardboard Assy. (quarter trim panel)-lower-Model 81	31030-1	Glass Assy (quarter ventilating)-complete with frame	30202-3
Cardboard Assy. (quarter trim panel)-upper-Model 81	31012-3	Glass Assy (quarter window)-rear-Model 79	29740
Cardboard (quarter trim)	31136-7	Glass channel Assy (quarter)	29900-1
Cardboard (rear quarter)-upper-Model 73	31034	Glass (quarter)-rear	29712
Channel Assy (quarter glass)	29900-1	Glass (rear quarter window)	29710
Channel Assy (quarter window)-lower	29958-9	Grommet (quarter window drain tube)	29777
Channel Assy (quarter window)-top and side	29962	Guide Assy. (quarter window)	29764-5
Clamp (quarter window frame lower pivot)	30548	Handle and catch Assy (quarter window sliding glass)	3775
Clip (quarter window glass frame)-upper and lower	3136	Handle Assy (quarter window)	30322
Clip (quarter window glass retainer)	30154	Handle (quarter glass frame)	2980-1
Clip (quarter window glass retainer)-front	30158	Handle (quarter window sliding glass)-front	29754
Clip (window regulator)-quarter	24146	Handle (quarter-window sliding glass)-center	29756
Coat hook (quarter)	29025	Hanger (coat)-Model 79	31452
Cover Assy (quarter trim)-lower front	31280-1	Hinge Assy (quarter panel fuel tank filler neck lid)	28224
Cover Assy (quarter panel wheel opening)	27968-9	Hinge (quarter window)	29948
Cover Assy (quarter window regulator panel)-rear	32410-1	Hook (coat)-Model 79-1949-50	31452
Cover (quarter trim panel corner)-front upper	27960-1	Hook (quarter coat)-Model 70, 72	29025
Cover (quarter trim panel joint)	31050	Hook (quarter coat)-Model 60, 70, 72, 73	29025
Cover (quarter window)	45466-7	Housing Assy. (quarter panel fuel tank filler pipe)	27936
Cover (quarter window)		Housing (quarter panel fuel tank filler pipe)	28617
Cover (quarter window)		Insert (graining)-Repair 79	20400
Cover (quarter window)		Job (quarter & front seat front seat back ash receptacle)	30710
Cover (quarter window)		Job (quarter window sliding glass latch)	25814

**BUY IT NOW!**

Click Here To Order





## BODY PARTS CATALOGUE

## Alphabetical Index

## QUARTER - continued

Group Name	Group Number	Group Name	Group Number
Latch Assy (quarter window sliding glass)-front	29668	Rail Assy. (quarter outside finish)-lower	28710-1
Latch Assy (quarter window sliding glass)-rear	29670	Rail (quarter belt)-inside	28714-5
Lid Assy (quarter panel fuel tank filler neck)	28611	Rail (quarter belt side)	41736-7
Link (quarter window regulator spring lift)	30348	Receptacle Assy (ash)-quarter and front seat back	30702
Loop and bracket Assy (Assist)	31440	Regulator Assy (rear quarter window)	30306-7
Moulding and clip Assy (quarter window reveal)	29090-1	Reinforcement (quarter outer panel)-lock side	28200-1
Moulding and retainer Assy (quarter trim)-center lower	31152	Reinforcement (quarter panel extension tail lamp opening)	282032
Moulding and retainer Assy (quarter trim)-center upper	31150	Reinforcement (quarter panel lock side)-upper	28208-9
Moulding and retainer Assy (quarter trim)-lower	31215	Reinforcement (quarter panel tail lamp opening)	27970
Moulding and retainer Assy (quarter trim)-upper	31140-1	Reinforcement (quarter trim water shield)	31316
Moulding and weatherstrip Assy (quarter window reveal)	29058-9	Reinforcement (quarter window regulator panel)	30344
Moulding Assy. (quarter arm rest)	31796		
Moulding Assy. (quarter outside belt)-Model 60,76	29022-3	Rest Assy (quarter)	24140
Moulding Assy. (quarter outside)-upper	29028-9	Rest Assy (rear quarter arm)	31600-1
Moulding Assy. (quarter panel)-outside lower	29076-7	Retainer Assy (ash receptacle)-quarter and front seat back	30708
Moulding Assy. (quarter trim)-lower	31214-5	Retainer Assy. (quarter ash receptacle)	30714
Moulding Assy. (quarter window garnish)	29002-3	Retainer and receptacle Assy (quarter ash)	30708
Moulding Assy. (quarter window garnish)-upper	29006-7	Retainer Assy (rear quarter ash receptacle)	30708
Moulding (quarter)-outside-Pass.	29038-9	Retainer (quarter pillar trim water shield)	28314
Moulding (quarter panel extension)-lower	29078-9	Retainer (quarter pillar windshield)-lower	31346-7
Moulding (quarter panel)-outside-lower rear	29098-9	Retainer (quarter trim cardboard)	31172-3
Moulding (quarter panel)-outside-Pass.	29034-5	Retainer (quarter trim panel)-front	31067
Moulding (quarter panel outside reveal)	29044-5	Retainer (quarter window glass run)-front	30120-1
Moulding (quarter panel to quarter panel extension)-lower	29080-1	Retainer (quarter window glass run)-rear	30124-5
Moulding (quarter panel to quarter panel extension)-upper	29052-3	Retainer (quarter window weatherstrip)-Model 71,76	29050-1
Moulding (quarter panel upper edge)	29048-9	Retainer (quarter window weatherstrip)-front	29992
Moulding (quarter window finish strip)	29086	Retainer (quarter window weatherstrip)-front	29982-3
Moulding (quarter window garnish)-lower	29004-5	Retainer (quarter window weatherstrip)-rear	29980-1
Moulding (quarter window garnish)-rear	29010-1	Retainer (window seal at pillar)	29118-9
Ornament Assy. (body side)	29616-7	Run Assy (quarter glass)-front	30102
Panel Assy (quarter)	27700-1	Run Assy (quarter window glass)-upper front	30104
Panel Assy (quarter and side)	27840-1	Run Assy (quarter window glass)-upper rear	30105
Panel Assy (quarter regulator)	27870-1	Run (quarter window glass)-front	29844
Panel Assy. (quarter inside trim)	31058-9	Run (quarter glass)-rear	30108-9
Panel Assy. (quarter) lower-Model 59,78,79	27700-1	Run (quarter window glass)-lower	30112
Panel Assy. (quarter trim)-less arm rest	31002-3	Run (quarter window glass)-upper	30110
Panel Assy. (quarter)-upper-Model 59,78,79	27816-7	Run (quarter window glass)-lower	30116
Panel Assy (rear quarter wheelhouse)	27882-3	Run (quarter window glass)-upper	30110-1
Panel (quarter)-used for fender repair	27846-7	Screw (attaching knob to ash receptacle)	30738
Panel (quarter inside lining)	31070-1	Seal (fender shield)	27986-7
Panel (quarter lining trim)	27928-9	Seal (quarter outside moulding retainer)-lower	29074
Panel (quarter lock pillar lining)	31264	Seal (quarter outside moulding retainer)-upper	29124
Panel (quarter regulator)	27876-7	Seal (quarter panel outside finish rail)	20796
Panel (quarter trim)-lower front-Model 78	31724-5	Seal (quarter panel wheel opening cover)	27986-7
Panel (quarter trim)-Model 59,78,79	31136-7	Seal (quarter pillar dust)	28237
Panel (rear quarter inside lining)-lower	40330-1	Shield (fender)-rear	27988-9
Panel (rear quarter inside lining)-upper	40326-7	Shield (quarter pillar trim water)	28332
Panel (wheelhouse)-Model 71	27886-7	Shield (quarter trim water)	31090-1
Pillar Assy. (rear corner)-Model 59,79	41032-3	Spacer (qtr. wind.garnish moulding) - lower	29154
Pillar Assy. (rear quarter)	28108-9	Spring Assy. (quarter window regulator handle)	31131
Pillar Assy. (quarter water lock)	28160-1	Spring (filler neck lid)	16377
Pillar Assy. (quarter) lower	28100-1	Spring (quarter panel fuel tank filler neck lid support)	28614
Pin		Spring (quarter regulator counterbalance)	30318
Pin		Spring (quarter window latch)	3796
Pin		Spring Assy. (quarter window regulator handle)	29968
Pin		Spring (quarter window regulator handle)	30592
Rail		Spring (quarter window regulator handle)	30592



**BUY IT NOW!**

**Click Here To Order**





## BODY PARTS CATALOGUE

## Alphabetical Index

## QUARTER - continued

Group Name	Group Number	Group Name	Group Number
Stop (quarter window sliding glass)	29998-9	Trough (quarter window drain)	29739
Stop (rear quarter window glass frame lower pivot)	30552	Weatherstrip ass'y. (quarter window division bar)	30256
Strainer assy. (quarter lock pillar to top bracket support)	28222	Weatherstrip and retainer assy. (qtr.wind.)-outer upper	29920-1
Strainer (quarter lock pillar to quarter regulator panel)-rear support	28246-7	Weatherstrip assy. (quarter window)-front	30106-7
Strainer (quarter lock pillar to top bracket support)-Model 76	28222	Weatherstrip assy. (quarter window glass)-inner & outer belt	29742-3
Strainer (quarter trim)	31160-1	Weatherstrip assy. (quarter window glass)-outer-upper-Model 60,71,76	29908-9
Strip assy. (assist)	31406	Weatherstrip assy. (quarter window) - outer	29732-3
Strip assy. (assist)	31440	Weatherstrip (quarter window division bar)	30238-9
Strip (quarter hinge pillar tacking)-upper	28290	Weatherstrip (quarter window finish strip)	29744-5
Strip (quarter.inside trim) - lower front	31274	Weatherstrip (quarter window)-front	30146-7
Strip (quarter trim water shield)	31256	Weatherstrip (quarter window)-front lower corner	29746
Strip (quarter window glass retaining)	29724	Weatherstrip (quarter window glass)-center	25832
Support assy. (quarter regulator panel)-rear	53156-7	Weatherstrip (quarter window glass)-front-Model 79	30106-7
Support assy. (quarter trim water shield)	31304-5	Weatherstrip (quarter window glass)-inner	29744-5
Support (fuel filler pipe)	28262	Weatherstrip (quarter window glass)-center	29910-1
Support (quarter panel fuel tank filler neck lid)	28819	Weatherstrip (quarter window guide)	29750
Support (quarter window to wheelhouse)	29456-7	Weatherstrip (quarter window)-rear	30248-9
Transfer (graining) - Model 79	20748	Weatherstrip (rear quarter window)	29904-5
Trim assy. (quarter folding compartment side)	32400-1	Weatherstrip (window glass)-outer-Model 79	29732
Trim assy. (quarter) - less arm rest	31002-3	Welt and support assy. (quarter window finish strip)	29136-7
Trim assy. (quarter lock pillar) -upper	31230-1	Welt (quarter trim panel)-bottom	31114-5
Trim assy. (quarter lock pillar)-Model 79	31224-5	Wheelhouse panel assy.	27882-3
Trim assy. (quarter) -lower	31030-1	Windlace assy. (quarter lock pillar)-Model 71,76	31290
Trim assy. (quarter) -rear - Model 59	31148-9	Windlace assy. (quarter lock pillar)	02610
Trim assy. (quarter) -upper	31012-3	Window and frame assy. (quarter)-complete	29700-1
Trim assy. (wheelhouse)	31740-1	Window and frame assy. (quarter)	29718-9
		Window assy. (quarter ventilating)-complete-Model 70B-	30202-3
		Window regulator assy. (quarter)	30305-7

## ROOF

Group Name	Group Number	Group Name	Group Number
Bow (roof)-No. 1-Model 79	51272	Moulding (roof drip finish)-70C	51726-7
Bow (roof)-No. 3-Model 79	51280	Moulding (roof drip finish)-front	51738-9
Bow (roof)-No. 5-Model 79	51288	Moulding (roof drip)-front	51724
Bow (roof)-center-C82	51272	Moulding (roof drip)-Pass., Station Wagon	51700-1
Cap (roof side moulding)-inner front corner	51766-7	Moulding (roof drip)-rear-Model 81	4926
Cardboard assy. (roof trim panel)-Model 81,82	51906	Moulding (roof drip)-rear-Model 78	51704
Clip (roof panel rear finish moulding)-70C	51736	Moulding (roof drip)-rear-Model C82	51784
Cover assy. (roof)	53700	Moulding (roof drip)-side front-Model 82	51701-1
Cover (roof drip finish moulding joint)-front & corner	51792	Moulding (roof drip)-side rear-Model 78	51714-5
Cover (roof drip finish moulding joint)-front corner	51742	Moulding (roof)-front-Model 73B	51550
Cover (roof drip moulding joint)-front or rear corner	51766	Moulding (roof panel finish)-rear-70C	51734-5
Cover (roof panel rear finish mfg. joint)-70C	51736	Moulding (roof side drip)-rear-Model Y82	4924-5
Extension (roof drip moulding)-rear	51702-3	Moulding (roof side)-inner front-Model 60	51732
Filler (roof drip moulding)-side	51728	Moulding (roof side)-inner-rear 60	51734-5
Filler (roof moulding)-front	51954	Ornament assy. (roof side)-Model 60	50264-5
Header (roof partition)	51806	Pad (roof cover) - center 70C-1990-51 -fiber glass	53722
Head (roof)	51916	Panel and silencer assy (roof)	50026
Head (roof)	51916	Panel assy (back and roof)	50000
Head (roof)	51916	Panel assy (roof)	50200
Head (roof)	51916	Panel assy (roof)-Model 82	4732
Head (roof)	51916	Panel assy. (roof side trim) - rear	51996-7
Head (roof)	51916	Panel assy (roof trim)	3882

**BUY IT NOW!**

Click Here To Order





## BODY PARTS CATALOGUE

## Alphabetical Index

## ROOF - continued

Group Name	Group Number	Group Name	Group Number
Panel Assy. (roof trim)-Trucks	51968	Rib Assy. (roof center)	4894
Panel Assy. (roof trim)-Model 82	51978-9	Rib Assy. (roof front)	4892
Panel Assy. (roof trim) - rear - Model C82C	51988	Rib (roof)-No.1	51434
Panel (roof)	50202	Rib (roof)-No.2	51436
Panel (roof side ornament)	50254-5	Rib (roof)-No.3	51440
Panel (roof trim)-center	51992	Rib (roof)-No.4 and 6	51448
Plate (roof side ornament medallion mounting)	50284	Rib (roof)-No.5 and 7	51450
Rail Assy. (roof)-front-Model 79	51100	Roof Assy	50020
Rail Assy. (roof)-rear-Model 79	51110	Roof (drip moulding)	51700-1
Rail Assy. (roof)-side	51142-3	Roof (drip moulding)-Model 81	3824-5
Rail Assy. (roof side)-front-Model C82A	51208-9	Roof (headlining)	51916
Rail Assy. (roof side front inner)	51180-1	Roof (leather)	2600
Rail Assy. (roof side) - inner	51212-3	Roof (panel)	50202
Rail Assy. (roof side)-outer	51218-9	Roof (silencer)	5002
Rail (roof)-side	51184-5	Roof (trim panel)-Model C81,T81	51968
Rail (roof side) - outer - front - 1952	51186-7	Roof (trim panel)-Model 82	51978-9
Rail (roof side) - outer - rear - 1952	51216-7	Roof (trim panel)-Model W81	3886
Rail (roof side)-rear-Model 73	51214-5	Silencer (roof)	5002
Reinforcement Assy. (roof back window flange)-Model 60	50248	Silencer (roof panel)-front	54300
Reinforcement Assy (roof rail side)-front	51190-1	Silencer (roof panel)-rear	54306
Reinforcement (roof rail side)	51196-7	Slat (roof)	6341
Reinforcement (roof side rail)-rear	51200-1	Strip (roof headlining retaining)	50952-3
Retainer Assy. (roof headlining header strip)	50962	Strip (roof headlining retaining)-center	50944-5
Retainer Assy. (roof rail weatherstrip)	51238-9	Strip (roof headlining retaining) - lift gate opening	50974
Retainer (roof cover front moulding)-70C	53718-9	Strip (roof headlining retaining)-rear	50956-7
Retainer (roof headlining) - side or rear corner	52136	Support and bracket Assy (dome light mounting)	51486
Retainer (roof headlining support) - rear	52180	Support (roof headlining)	52100-6
Retainer (roof panel finish moulding)-rear-70C	51760	Support (roof trim center)	52138
Retainer (roof rail weatherstrip)-side	51232-3	Support (roof trim end)	51262
Retainer (roof rail windlace)	50918-9	Tape (friction)	6167
Retainer (roof side moulding)-inner front-Model 60	51756	Weatherstrip Assy. (roof side rail) - Model 6C	51222-3
Retainer (top vinyl plastic)	9791	Weatherstrip (roof rail)-side-Model 60	51222-3

## AUXILIARY SEAT

Group Name	Group Number	Group Name	Group Number
Back Assy. (auxiliary seat) - 79-1952	60096	Strip (auxiliary seat back finish)	60950
Cover Assy. (auxiliary seat cushion)	63822	front floor board - front	
Cover (auxiliary seat back panel) - front floor board	60968	Strip (auxiliary seat back finish)	60952
Cover (auxiliary seat back panel) - rear floor board	60970	front floor board - rear	
Cushion Assy. (auxiliary seat) - 79-1952	60090	Strip (auxiliary seat back finish)	60994-5
Hinge Assy. (auxiliary seat back floor board panel)	60928	front floor board - side	
Prop Assy. (auxiliary seat back)	60930	Strip (auxiliary seat back finish)	60954
Panel Assy. (auxiliary seat back)-floor board-front	60940	rear floor board - front	
Panel Assy. (auxiliary seat back)-floor board-rear	60942	Strip (auxiliary seat back finish)	60986-7
		rear floor board - side	



# BUY IT NOW!

Click Here To Order





## BODY PARTS CATALOGUE

## Alphabetical Index

## CENTER SEAT

Group Name	Group Number	Group Name	Group Number
Arm (center seat back stop)	61354	Cover assy. (center seat cushion)	62908
Arm rest assy. (center seat)	61360	Cover (center seat back panel)	60570-1
Arm rest (center)	61364	Cover (center seat cushion panel)	60573
Back assy. (center seat)	60042-3	Cushion assy. (center seat)	60054
Bracket assy (seat back frame to center strainer)	61092	Hinge assy. (center seat)	60514
Bracket (center seat cushion)-on body-79	60687	Rest assy. (arm)-center seat	61360
Bracket (center seat to wheelhouse)	60637	Rest (seat arm)-center	61364
Bumper (center seat back)	61333	Seat assy. (center)-Model 79B	60018
Bumper (center seat cushion to spacer)	60757	Seat leg assy.-Model 79	60492
Catch assy. (seat leg)-center and rear	11336	Stop (center seat back)	61354
Catch (center seat back)	60969	Stop (center seat back)	61334
Clip (center seat back catch)	60568	Support (center seat cushion)	60641
Cover assy. (center seat back)	04428-9	Tip (center seat leg)	60988

## FRONT SEAT

Group Name	Group Number	Group Name	Group Number
Absorber assy (driver's seat shock)-complete	60114	Hinge (front seat back)	61080-1
Arm and bracket assy (seat back support)	61898	Kit (C.O.E. Driver's seat)	60008
Arm assy (driver's seat support)-lower	60060	Kit (C.O.E. Driver's seat)	60009
Arm assy (driver's seat support)-upper	60072	Kit (C.O.E. passenger seat for closed cabs)	60007
Back assy (front seat)	60136-7	Knob (front seat track adjusting handle)	61639
Bar (front seat track equalizing)	61845	Link (front seat track tie rod)	61744
Bar (front seat track tie)	61726-7	Nut (front seat track tie rod adjusting)	61893
Bolt (front seat track tie rod eye)	61730	Pan (driver's seat spring)	60058
Bracket assy (driver's seat tube)	60133	Panel assy. (front seat cushion side shield)	62184-5
Bracket (driver's seat shock absorber)-lower	60118	Panel assy. (front seat foot rest)	62648-9
Bracket (driver's seat support) - J85	60134	Panel (front seat cushion side shield)	62186-7
Bracket (front seat back hinge)	61066-7	Pin (front seat back hinge) - outer	61088
Bracket (passenger seat)	62530	Pin (passenger seat hinge)	62542
Bracket (seat support)-upper center	60092-3	Plate (front seat back frame scuff)-inner	61182
Bracket (seat support)-upper inner	60095	Plate (front seat back scuff)	61642
Bracket (seat support)-upper outer	60151	Plate (seat cushion frame dowel)	5376
Button, strap and hook assy (front seat back trim)-1950	63501	Receptacle assy. (front seat back ash)	62876
Carpet assy. (front seat back foot rest)	62654-5	Receptacle (ash)-front seat back and quarter	30702
Channel and bracket assy (passenger seat bottom)	62706	Retainer assy. (ash receptacle)-front seat back and qtr.	30708
Clip (front seat robe cord bracket stay)	7160	Retainer assy. (back of front seat ash receptacle)	62868
Cord assy. (front seat back robe)	62800	Retainer and receptacle assy (front seat back ash)	62866
Cover assy. (front seat back)	64416-7	Riser assy. (seat)-Model W81	5222-5
Cover assy. (front seat cushion)	62900	Riser assy. (seat)-Model C81,281	60406
Cover assy. (front seat side shield)	66404-5	Robe cord assy. (front seat back)	62800
Cover assy. (seat back front)	64424	Screw (front seat back hinge stop)-lower-adj.	61113
Cover assy. (seat cushion)	5382-3	Seat assy. (driver's)	60012
Cover (front seat back robe cord end)	62806	Seat assy. (passenger's)	60016
Cover (front seat cushion side shield opening)	61678-9	Seat back assy. (front)	60136-7
Cover (front seat side shield)	66406-7	Seat channel and bracket assy (passenger)-bottom	62536
Cushion (driver's seat)	60052	Seat cushion assy (driver's)	60092
Cushion (passenger's seat)-Model 78-1952	60053	Seat cushion assy (front)	60050
Cushion (passenger's seat)	60050-1	Seat (driver's) kit-C.O.E.	60008
Cushion (passenger's seat)		Seat (driver's) kit-C.O.E.	60009
Cushion (passenger's seat)		Seat (driver's) kit-for closed cabs	60007
Cushion (passenger's seat)		Seat (driver's) kit-for closed cabs	62186-7
Cushion (passenger's seat)		Shock absorber assy (driver's seat)	60114
Cushion (passenger's seat)		Shock absorber bracket (driver's seat)-lower	60118



BUY IT NOW!

Click Here To Order




**BODY PARTS CATALOGUE**
**Alphabetical Index**
**FRONT SEAT - continued**

Group Name	Group Number	Group Name	Group Number
Spacer (driver's seat spring adjustment)	60124	Stop assy. (frt. seat back) - Model 59, 60, 70, 72, 73, 76	61052
Spring (driver's seat support)	60126	Support assy (driver's seat) - Model J85	60094
Spring (front seat track adjusting crank anti-rattle)	61865	Support (front seat track equalizing bar)	61840
Spring (front seat track adjusting handle latch)	61759	Support (passenger's seat) - front	62554-5
Spring (front seat track equalizing bar anti-rattle)	61852	Track assy (front seat)	61704-5
Spring (front seat track latch)	61883	Track assy. (front seat) - complete - Model J85	61700
Spring (front seat zig zag spring to tie bar)	61930		

**REAR SEAT**

Group Name	Group Number	Group Name	Group Number
Back assy (rear seat)	60032	Frame (rear seat cushion panel) - side	60624-5
Bellows assy (seat back)	65600	Model 79 - L.H. seat - 1952	
Board (seat side arm)	66410	Frame (rear seat cushion panel) - side	60622-3
Brace (rear seat back support to floor)	62446	Model 79 - R.H. seat - 1952	
Bracket ass'y. (left rear seat back pivot) -inner	60516	Hinge (back panel strainer to seat)	44988-9
Bracket ass'y. (rear seat back pivot) - Model 59	60514-5	Leg assy (seat)	60492
Bracket ass'y. (right rear seat back pivot) -outer	60506	Loop (rear seat back stop)	61099
Bracket (rear seat back support to side)	62444-5	Moulding (rear seat riser) - Model 76	60693
Bracket assy. (rear seat cushion pivot) - Model 59	60520-1	Panel assy. (left rear seat support) - Model 79-1952	60718-9
Bracket assy. (rear seat back support to wheelhouse)	62408-9	Panel assy. (rear seat back)	60508-9
Bracket (rear seat back support brace to floor)	62448	Panel assy. (rear seat cushion)	60512-3
Bumper (rear seat back) - floor board	63038	Pin (seat back hinge)	7020
Button and strap assy (rear seat back trim) -1950	63503	Pin (rear seat cushion pivot)	63022-3
Button and strap assy (seat back cushion trim)	63500	Pin (rear seat cushion pivot)	63036
Button, strap and hook assy (rear seat back trim)	63503	Plate (rear seat back - floor board catch)	60954
Cardboard assy (rear seat back top)	66906	Plate assy. (rear seat back stop anchor)	61328
Cardboard (rear seat back)	66916	Plate assy. (rear seat back support anchor) - inner	61350
Cardboard (rear seat back top)	66908	Rail ass'y. (right rear seat cushion support)	60716
Carpet assy (rear seat heelboard)	67216	Retainer (rear seat cushion)	63370
Catch assy (seat leg)	7350	Retainer (rear seat cushion panel support) -to floor	60698
Catch assy (seat leg) -center & rear	11336	Retainer (rear seat riser moulding)	60667
Cover assy (rear seat back)	66600-1	Riser assy (rear seat) -front-Model 76-1949	60648
Cover assy (rear seat cushion)	63804-5	Riser (rear seat) -front-Model 76-1951	60650
Cover (rear seat cushion floor board panel)	60966-7	Seat assy (rear)	60026
Cushion assy (rear seat)	60080-1	Seat back assy (rear)	60032-3
Foot (rear seat cushion support) - Model 79-1952	60728	Seat cushion assy (rear)	60080-1
Foot (right rear seat cushion support rail) - Model 79-1952	60984	Seat leg assy - Model 79	60492
Frame (rear seat back panel) -upper	61022-3	Seat leg assy (rear seat back) - Model 59, 79 - 1952	61062
Frame ass'y. (right rear seat cushion tubular)	63160	Strip (rear seat back finish) - lower	60976-6
Frame (rear seat back panel) - side	61024-7	Strip (rear seat cushion panel finish) - front	60962-3
Frame (rear seat back panel) - upper	61022-3	Support assy. (rear seat back) - Model 59	61320
Frame (rear seat cushion panel) - front - Model 59-1952	60606	Support assy. (rear seat back) - Model 60	62404
Frame (rear seat cushion panel) -rear-Model 59-1952	60614	Support ass'y. (rear seat back) -floor board	60552-3
Frame (rear seat cushion panel) -side-Model 59-1952	60622-3	Support assy (rear seat cushion) - Model 59	60634-5
		Support (rear seat back frame)	62400

**CONVERTIBLE TOP**

Group Name	Group Number	Group Name	Group Number
Assy (top slat iron folding) - front	53006-7		
Control knob (top control knob)	15677		
Strap and belt assy (back belt rail)	41774		


**BUY IT NOW!**
**Click Here To Order**




## BODY PARTS CATALOGUE

## Alphabetical Index

## CONVERTIBLE TOP - continued

Group Name	Group Number	Group Name	Group Number
Binding (roof rail)	17106	Link (No.3 bow)-control	50330-1
Binding (top and belt rail)	17108	Link (top slat iron)	50466-7
Bolt (main pivot adjusting)	50491	Link (top slat iron)	50440-1
Bow and nut assy (top)-No. 1	51268	Link (top slat iron)-No.3	50428
Bow assy. (top)-No.2	51274	Link (top slat iron folding arm)	50432-5
Bow assy. (top)-No.3	51269	Link (top slat iron folding arm)-front	50310
Bow assy (top)-No. 4	51328	Link (top slat iron folding arm)-rear	50308
Bow assy (rear)-No. 4	51278	Loop (footman)	54810
Bow (main)-folding top	51272	Motor ass'y (top lift) with brackets	15664
Bow (top)	51276	Nut (serrated)-balance link to body bracket-Model 76	50404
Bow (top)-No. 3	51280	Pin (top side rail pivot)	51193
Bracket assy. (balance link lower pivot)	50450-1	Pivot (balance link)-adjusting	50451
Bracket assy. (top lift junction block)	53465	Plate (front side rail to header bracket tapping)- folding top	53116
Bracket assy. (top lift to floor)	50564-5	Plate (header bracket to front side rail)	50484
Bracket assy. (top rear side rail) - lower hinge	53092-3	Plate (pillar hinge to body bracket)-folding top	50398
Bracket (balance link adjusting)	50478-9	Plate (top slat iron bracket tapping)	50380-1
Bracket (folding top center side rail hinge)	53112-3	Plug (folding top front side rail)	50344
Bracket (folding top front side rail hinge)	53108-9	Plug (rear side rail)-front Model 76	50358-7
Bracket (folding top)-No.2 bow	53166-7	Rail assy (top slat iron folding)-front	53006-7
Bracket (folding top)-No.3 bow	53144-5	Rail assy (pillar)-folding top	53196-7
Bracket (front side rail to header) folding top	50832-3	Rail assy (rear side folding top)	51154-5
Bracket (top lift to quarter lock pillar brace)	50764-5	Rail (center side)	53106-7
Bracket (top slat iron pivot)	50378-9	Rail (front side)	53104-5
Bumper assy (main pivot bracket to side rail)	53179	Reinforcement (top deck fastener)	52712
Bumper assy (quarter panel to top slat iron)	50540	Relay ass'y. (top control)	15672
Bumper (top side rail)	53055	Retainer assy (top deck side)	52720-1
Bushing (main pivot bracket)-folding top	50473		
Cable assy (top deck tensioner)	52754	Retainer (roof rail weatherstrip) - side	51232-3
Case assy (top quarter pad)	52874-5	Retainer (top No. 4 bow top deck)	52740
Collar (main pivot adjusting bolt)	50473	Retainer (top rail deck)	52714
Container assy (top dust hood)	54486	Retainer (top side rail bumper)	53066-7
Cover assy (top)	52700	Retainer (top slat iron pivot arm)	53018
Cover assy (top counterbalance spring)	50664	Rivet (top slat iron hinge)	50443
Curtain assy (top back) -with glass	52500	Rod and knob assy (top control)	50570
Curtain assy (top back)-without glass	52508	Rod (top control)	50570
Curtain glass (top back)	53200	Screw assy. (folding top lift)	50658
Deck and side quarter assy (top)	52700	Screw (balance link adjustment)	50190-1
Fastener (button)-folding top	53029	Seal (top slat iron counterbalance arm to body weather)	50426-7
Frame (top back curtain glass)	53220-4	Shaft assy. (folding top lift drive)	50612-3
Glass (top back curtain)	53200	Strap and buckle assy (back curtain support)	45320
Handle (top locking)	03570	Strap assy (back curtain support)	52854
Header assy (folding top)	53038	Strap assy (top hold down)	54804
Hood assy (top dust)	54400	Stop (top No.2 bow control link)	53050
Hook (rear curtain strap)	53268	Support assy. (top main pivot bracket)	53156-7
Iron (top bow slat)-rear	50340-1	Support assy. (top main pivot bracket to wheelhouse)	53086-7
Iron (top slat)-No.1	50306-7	Switch assy. (top control) - 1951	50738
Iron (top slat)-No.2	50312-3	Switch assy. (top control) - 1952	15668
Iron (top slat)-No.3	50330-1	Switch ass'y. (top control limit)	15678
Knob ass'y. (top control)	15674	Tip (binding trim)	17108
Knob assy. (top control) - 1949-50	50642	Top assy. (less trim) - 1952	53000
Knob (top control) - 1951	50640	Top assy. - with trim	50100
Lift (top control)	50600-1	Top bow slat iron-rear	50340-1
Link (top control)		Top bow slat iron-rear	54400
Link (top control)		Top bow slat iron No. 1	50306-7
Link (top control)		Top bow slat iron No. 2	50312-3
Link (top control)		Top bow slat iron No. 3	50330-1
Link (top control)		Top bow slat iron-rear	54600
Link (top control)		Top bow slat iron-rear	52512

**BUY IT NOW!****Click Here To Order**


**BODY PARTS CATALOGUE**
**Alphabetical Index**
**CONVERTIBLE TOP - continued**

Group Name	Group Number	Group Name	Group Number
Valve Assy (top operating)	50738	Weatherstrip (center side rail)-folding top	29940-1
Washer (spring)-three wave-76	53210-7	Weatherstrip (header) - folding top - front	51338
Weatherstrip Assy. (center side rail)-folding top	51564-5	Weatherstrip (quarter panel)-front	29132-3
Weatherseal Assy. (folding top)-quarter panel to hinge pillar	52752-3	Weatherstrip (rear side rail)-folding up	29056-7
Weatherstrip Assy. (front side rail)-folding top	51562-3	Weatherstrip (roof rail) - side	51222-3
Weatherstrip Assy. (header)-folding top	51338-9	Weatherstrip (top bow)-No.1	51312
Weatherstrip Assy. (rear side rail)-folding top	51566-7	Window Assy. (top back curtain)	52510
Weatherstrip Assy. (rear side rail) - outer	51598-9	Window (top back curtain)-76-1951	53200
Weatherstrip Assy (top bow)-No.1	51330	Zipper Assy (top back curtain)-Model 76	53250-1

**WINDSHIELD**

Group Name	Group Number	Group Name	Group Number
Arm and bracket Assy (visor)-less visor	04144	Moulding (windshield) - outside - top	03144-5
Arm and windshield header catch Assy (visor)	04144-5	Nut (windshield swing arm bracket thumb screw)	5482
Arm (windshield adjusting)	1182	Pad (windshield header clamp catch)	03380-2
Bracket (visor mounting)	04158	Panel Assy (windshield header trim)	03502
Bracket (windshield header)-dowel side	03462-3	Panel (windshield center post)-outer	03017
Bracket (windshield hinge support)	1178-9	Panel (windshield corner post)-outer	03472-3
Bracket (windshield viper motor mounting)-Model J85	03191	Panel (windshield header)	1210
Catch Assy (arm and windshield header)-visor	04144-5	Panel (windshield header)-outer	03422
Catch (windshield header clamp)-center	03458	Pin (windshield arm shoulder)	1194-5
Clamp Assy (windshield header to top)-center	03522	Plate (windshield center inside finish strip)-lower	03386
Clamp Assy (windshield header to top)-side	00520	Plate (windshield center inside finish strip)-upper	03084
Clip (windshield and side window support)	20286	Plate (windshield header clamp) -center	03454
Clip (windshield finish welt)	03118	Plate (windshield opening finish strip center cover)	03092
Clip (windshield frame corner)	1148	Plug (windshield header center clamp bracket)	03456
Cover (windshield finish strip joint)-lower	03086	Retainer and ground clip Assy (windshield center weatherstrip)-inner	03074
Cover (windshield finish strip joint)-upper	03084	Retainer Assy (windshield center weatherstrip)-outer	03078
Cover (windshield moulding joint)-outside-Truck	03097	Retainer (windshield center weatherstrip)-inner	03076
Cover (windshield outside belt moulding joint)	03094	Retainer (windshield header moulding)-inside-Model 60	03552
Dowel (windshield header)-center -Model 76	03442	Screw (windshield swing arm to bracket)	1189
Dowel (windshield header)-side-Model 76	03458-9	Shim (windshield header dowel)	03466
Extension (windshield opening drain tube)	0563	Strainer Assy (windshield)-center	03040
Extension (windshield opening reinforcement)	03618-9	Strainer (windshield center)	03044
Frame Assy (windshield)	1110-1	Strip (windshield header roof headlining tacking)-60-1951	03454
Frame Assy. (windshield)-inner	03014	Strip (windshield opening finish)-center	03076
Filler (windshield finish moulding) - lower corner	03642-3	Strip (windshield opening finish)-side	03590-1
Filler (windshield finish moulding) - lower corner	03642-3	Visor arm and bracket Assy (less visor)	04144
Glass Assy (side window)-Model J85	00125	Visor Assy (complete)	04100
Glass Assy (windshield)-all models except W81	03100	Visor Assy (less arm and bracket)	04104
Glass Assy (windshield) -Model W81	1150	Visor Assy (less arm and windshield header catch Assy)	04104
Gusset (windshield opening reinforcement to pillar)	03526-7	Weather (windshield swing arm spring)	03311
Hinge Assy (windshield)	1170	Weatherstrip Assy (windshield)	03110
Insert (side window weatherstrip) - Model J85	00174	Weatherstrip (side window)-Model J85	00172
Insert (windshield weatherstrip) - Model J85	03119	Weatherstrip (windshield frame)	1190
Moulding (windshield finish)-outside	05088-9	Weatherstrip (windshield glass)	03116
Moulding (windshield header)-inside-Model 60	03542	Weatherstrip (windshield header)	03476
Moulding (windshield header)-inside-Model 60	03626	Welt Assy (windshield finish strip)	03126-7
Moulding (windshield header)-lower	03598-9	Windshield glass Assy	03100
Moulding (windshield header)-side	03598-9	Windshield glass Assy-Model W81	1150


**BUY IT NOW!**
**Click Here To Order**




**BODY PARTS CATALOGUE**

YEAR 19	BODY TYPES	REMARKS	PART NUMBER	NO. REQ'D
---------	------------	---------	-------------	-----------

GROUP 0038 PANEL (BODY)—FRONT CENTER LOWER

44-47	W81		81W 810038	1
-------	-----	--	------------	---

GROUP 0078-9 MEMBER ASSY. (FLOOR SIDE)

44-52	T80, W80, T86	R.H.	+ 81T 900078	1
44-52	T80, W80, T86	L.H.	+ 81T 900079	1
44-52	T80, T86	R.H.	81Y 900078	1
44-52	T80, T86	L.H.	+ 81Y 900079	1

GROUP 0091 SILL ASSY. (FLOOR CROSS)—No. 1

44-52	Y80, Y86		81Y 900091	1
44-52	T80, W80, 8T80, T86, 8T86		81T 900091-B	1
44-52	T80, W80, Y80, 8T80, T86, Y86	5/16"-18 x 3" Carriage bolt	+23573-S2	6
	8T86			
44-52	T80, W80, Y80, 8T80, T86, Y86,	5/16" Flat washer	+34706-S2	6
	8T86			
44-52	T80, W80, Y80, 8T80, T86, Y86,	5/16" Lockwasher	34846-S2	6
	8T86			
44-52	T80, W80, Y80, 8T80, T86, Y86	5/16"-18 Square nut	34096-S8	6
	8T86			

GROUP 0092 SILL ASSY. (FLOOR CROSS)—INTERMEDIATE

44-52	T80, W80, Y80, T86, Y86	Replaced by EDAA 8010614-A	81T 900092	4
44-52	8T80, 8T86	Replaced by EDAA 8010614-A	81T 900092	5
44-52	D80, D86		81Y 900092	2
44-52	T80, W80, Y80, 8T80, T86, Y86,	5/16"-18 x 3" Carriage bolt	+23573-S2	12to30
	8T86			
44-52	T80, W80, Y80, 8T80, T86, Y86,	5/16" Flat washer	+34706-S2	12to30
	8T86			
44-52	T80, W80, Y80, 8T80, T86, Y86,	5/16" Lockwasher	34846-S2	12to30
	8T86			
44-52	T80, W80, Y80, 8T80, T86, Y86,	5/16"-18 Square nut	34096-S8	12to30
	8T86			

GROUP 0097 SILL ASSY. (FLOOR CROSS)—REAR

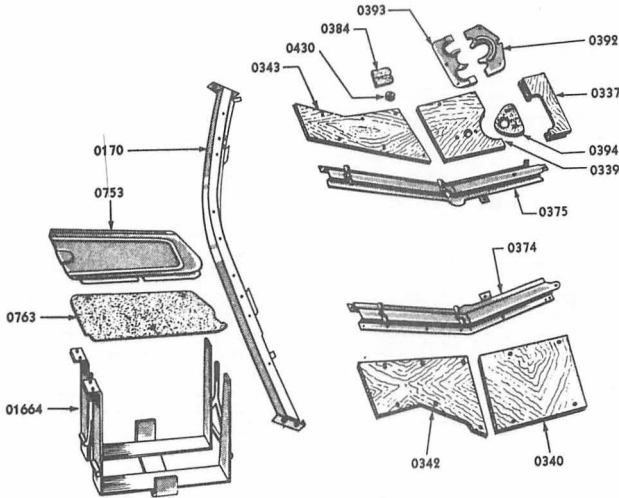
44-51	T80, W80, 8T80, T86, 8T86		81T 900097	1
44-51	T80, W80, Y80, 8T80, T86, Y86,	5/16"-18 x 3" Carriage bolt	+23573-S2	3or6
	8T86			
44-51	T80, W80, Y80, 8T80, T86, Y86,	5/16" Flat washer	+34706-S2	3or6
	8T86			
44-51	T80, W80, Y80, 8T80, T86, Y86,	5/16"-18 Square nut	34096-S8	3or6
	8T86			
52	T80, W80, 8T80, T86, 8T86	Refer to Group 10608		
44-52	Y80, Y86		81Y 900097	1
44-52	Y80, Y86	7/16"-20 x 5" Hex. head bolt	+21624-S2	1
44-52	Y80, Y86	7/16"-20 Hex. nut	38671-S8	1
44-52	Y80, Y86	7/16" Lockwasher	34808-S8	1

44			81Y 900140	2
----	--	--	------------	---



BODY PARTS CATALOGUE

YEAR 19	BODY TYPES	REMARKS	PART NUMBER	NO. REQ'D
GROUP 0145 STRIP (FLOOR SKID)				
44-52	T80, W80, T86	107" Long	81T 900145	9
44-52	Y80, Y86	91" Long Replaced by 81T 900145	81Y 900145	8
44-51	8T80, 8T86	Replaced by 8B 185145	81W 950145	9
44-52	T80, W80, Y80, 8T80, T86, Y86, 8T86	5/16"-18 x 2" Carriage bolt	23513-82	48to63
44-52	T80, W80, Y80, 8T80, T86, Y86, 8T86	5/16" Lockwasher	34846-82	48to63
44-52	T80, W80, Y80, 8T80, T86, Y86, 8T86	5/16"-18 Square nut	34096-88	44to61
44-52	T80, W80, Y80, 8T80, T86, Y86, 8T86	5/16"-18 Hex. nut	33797-82	2to16



P-671

1944-47 CAB OVER ENGINE FLOOR PARTS

Group numbers only shown on illustration. Refer to group for complete Part Number.

GROUP 0170 SILL ASSY. (FLOOR CROSS)—FRONT				
44-47	W81		81W 810170	1
GROUP 0182 SCREW (REAR DOOR LOCK CYLINDER SET)				
44-47	082, Y82		B 80182	1
GROUP 0220 STRIP (FLOOR SKID)				
44-47		Replaced by 81T 920220	81C 820220	4
44-47			+ 81Y 920220	4
44-47			+ 81T 920220	4



**BUY IT NOW!**

**Click Here To Order**



## BODY PARTS CATALOGUE

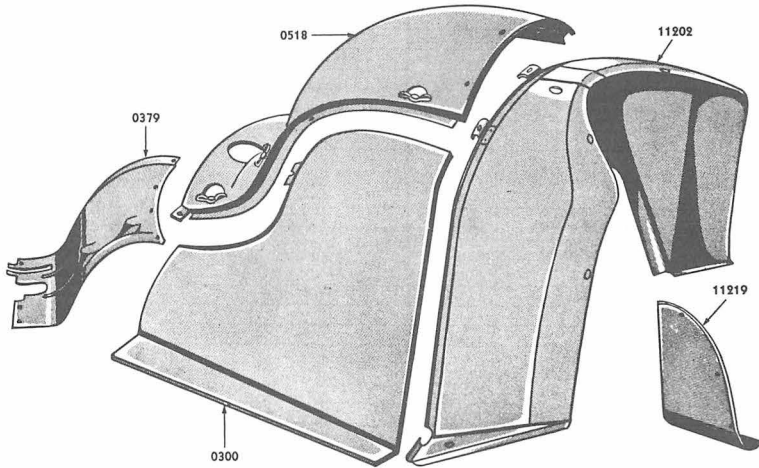
YEAR	BODY TYPES	REMARKS	PART NUMBER	NO. REQ'D
------	------------	---------	-------------	-----------

**GROUP 0234-5 FILLER ASSY. (ARCH BAR TO LOCK PILLAR)**

44-47	W81	R.H.	#81W 810234	1
44-47	W81	L.H.	#81W 810235	1

**GROUP 0262 COVER (REAR FLOOR PAN GAS GAUGE)**

46-48	79B		778 700262	1
46-48	79B	No.10 x 3/8" Binding head sheet metal screw	32917-87	1



### 1944-47 CAB OVER ENGINE—ENGINE COVER PARTS

P-655

Group numbers only shown on illustration. Refer to group for complete Part Number.

**GROUP 0300 PANEL ASSY. (ENGINE COVER SIDE)—REAR**

44-47	W81	R.H.—complete	#61W 810300	1
-------	-----	---------------	-------------	---

**GROUP 0302-4 PANEL (BODY)—LOWER REAR**

44-47	W81	R.H.	#61W 810302	1
44-47	W81	L.H.	#61W 810303	1
44-47	W81	1/4"-20 x 13/16" Hex.head bolt	20354-82	4
44-47	W81	1/4"-20 Square nut	34095-88	4
44-47	W81	1/4" Flat washer	44720-88	4
44-52	D83		#81Y 830304	1

**GROUP 0337-43 BOARD (FLOOR)**

44-47		No.1-front upper-L.H.-L.H.D.	#61W 810337	1
44		No.1-front lower-L.H.-L.H.D.	#61W 810339	1
44			#81W 810340	1
44			81W 810342	1
44			#81W 810343	1



## BUY IT NOW!

Click Here To Order




**BODY PARTS CATALOGUE**

YEAR 19	BODY TYPES	REMARKS	PART NUMBER	NO. REQ'D
<b>GROUP 0360 PANEL (FRONT)</b>				
44-52	D83		81W 830360	1
<b>GROUP 0371 BUTTON (ENGINE COVER PANEL TURN)</b>				
44-47	W81		81W 810371	10
48-51	8J		81W 810371	1
<b>GROUP 0374-5 SUPPORT AND TOE BOARD ASSY. (FLOOR)</b>				
44-47	W81	R.H. (Illustrated with Group 0170)	†81W 810374	1
44-47	W81	L.H. (Illustrated with Group 0170)	†81W 810375	1
44-47	W81	1/4"-20 x3/4" Hex. head bolt	24344-82	1
44-47	W81	5/16"-24 x 3/8" Hex. head bolt	20347-88	7
44-47	W81	5/16" Lockwasher	36806-87	7
<b>GROUP 0379 PANEL (ENGINE COVER TOP)—REAR</b>				
44-47	W81		81W 810379	1
<b>GROUP 0384 PAD (HAND BRAKE WEATHER)</b>				
44-47	W81		†81W 810384	1
44-51	C81,T81,C82,Y82		50 810384-A	1
52	C81,Q81,T61,		50 810384-A	1
<b>GROUP 0385 PLATE (OIL INSPECTION HOLE COVER)</b>				
44-47	W81		†81W 810385	1
<b>GROUP 0386 BUMPER (PEDAL)</b>				
44-47	C81,T81,C82,Y82		48 700386-A	2
48-52	Trucks	Not used with air brakes	48 700386-A	2
<b>GROUP 0392-3 PLATE (PEDAL OPENING COVER)</b>				
44-47	W81	Bottom rear (Illustrated with Group 0170)	†81W 810392	2
44-47	W81	Bottom front (Illustrated with Group 0170)	†81W 810393	2
<b>GROUP 0394 FILLER (PEDAL OPENING COVER PLATE)</b>				
44-47	W81	(Illustrated with Group 0170)	†81W 810394	1
<b>GROUP 0400-1 MAT ASSY. (FLOOR)</b>				
44-47	W81	R.H.—L.H.D.	†81W 810400	1
44-47	W81	L.H.—L.H.D.	81W 810401	1
<b>GROUP 0430 BUMPER ASSY. (PEDAL)</b>				
44-47		On floor board—L.H.D.	†81W 810430	2
48-			†81W 810430	3
44-			†81Y 830440	1


**BUY IT NOW!**
**Click Here To Order**




## BODY PARTS CATALOGUE

YEAR 19__	BODY TYPES		REMARKS	PART NUMBER	NO. REQ'D
<b>GROUP 0448 SEALER (ENGINE COVER PANEL)</b>					
44-47	W81		61.00" long-(cut to required length)	†81W 810448-A	
<b>GROUP 0460 INSULATOR (ENGINE COVER TOP PANEL)</b>					
44-47	W81		Rear	81W 810460-A	1
<b>GROUP 0462 INSULATOR (ENGINE COVER SIDE PANEL)</b>					
44-47	W81			†81W 810462	1
<b>GROUP 0510-1 PANEL ASSY. (COWL SIDE)</b>					
44-47	W81		R.H.	†81W 810510	1
44-47	W81		L.H.	81W 810511	1
<b>GROUP 0516-7 EXTENSION (WHEEL HOUSE PANEL FRONT)</b>					
44-47	W81		R.H.-L.H.D.	†81W 810516	1
44-47	W81		L.H.-L.H.D.	†81W 810517	1
44-47	W81		No.10 x 5/8" Binding head sheet metal screw	†32931-88	6
<b>GROUP 0518 PANEL ASSY. (ENGINE COVER TOP)-FRONT-COMPLETE</b>					
44-47	W81		(Illustrated with Group 0300)	†81W 810518	1
<b>GROUP 0522-3 SUPPORT ASSY. (SIDE PANEL FRONT)</b>					
44-52	C83		R.H.-L.H.D.	81C 830522	1
44-52	C83		L.H.-L.H.D.	81C 830523	1
44-52	D83			81Y 830522	2
<b>GROUP 0530-1 SUPPORT ASSY. (SIDE PANEL REAR)</b>					
44-52	C83		R.H.-L.H.D.	81C 830530	1
44-50	C89		L.H.-L.H.D.	†81C 830531	1
44-52	D83		R.H.-L.H.D.	81Y 830530	1
44-52	D83		L.H.-L.H.D.	†81Y 830531	1
<b>GROUP 0538 REINFORCEMENT (SIDE PANEL FLARE)</b>					
44-52	C83			†81C 830538	1
44-52	Y83			81Y 830538	1
<b>GROUP 0546 BUMPER (COWL SIDE PANEL TO HOOD)</b>					
46-48	70, 71, 72B, 73, 76, 77, 78, 79A		Replaced by 7C 8102113	40 700546-A	2
44-47	C81, T81, C82, Y82		Replaced by 7C 8102113	40 700546-A	4
48-49	C81, T81, W81, C82		Replaced by 7C 8102113	40 700546-A	2
49-51	76		Quarter window to quarter pillar-replaced by 7C 8102113	40 700546-A	2
51	76		Quarter window to quarter pillar-replaced by 7C 8102113	40 700546-A	2
<b>GROUP 0563 EXTENSION (WINDSHIELD OPENING DRAIN TUBE)</b>					
				†78 700563	2
				†81W 810590	2
			BCREV	33013-813	4



# BUY IT NOW!

Click Here To Order




**BODY PARTS CATALOGUE**

YEAR 19	BODY TYPES	REMARKS	PART NUMBER	NO. REQ'D
<b>GROUP 0613 SPRING (COWL VENTILATOR LEVER RATCHET)</b>				
46-48	70, 71, 72B, 73, 76, 77, 78, 79R		448 700613	1
44-52	Trucks		448 700613	1
<b>GROUP 0616 WEATHERSTRIP (COWL SIDE VENTILATOR)</b>				
44-47	W81		781W 810616	2
<b>GROUP 0625 WASHER (COWL VENTILATOR LEVER RATCHET SPACER)</b>				
44-47	C81, T81, C82, T82		748 700625	2
<b>GROUP 0658 CLIP (COWL SIDE VENTILATOR HINGE SPRING)</b>				
44-47	W81		781W 810658	2
<b>GROUP 0659 SPRING (COWL SIDE VENTILATOR HINGE)</b>				
44-47	W81		781W 810659	2
<b>GROUP 0680-1 PANEL (COWL TRIM)</b>				
44-47	W81	R.H. -cardboard	781W 810680	1
44-47	W81	L.H. -cardboard	781W 810681	1
44-47	W81	Trim retainer	+355130-C-812	8
44-47	W81	No.8 x 1/2" Oval head sheet metal screw	+32988-815	8
44-47	W81	No.8 Finishing washer	34885-S7	8
<b>GROUP 0700 GATE ASSY. (TAIL)</b>				
44-52	D83		81Y 830700	1
<b>GROUP 0732 RETAINER (DASH TO COWL TOP PANEL SEAL)</b>				
44-47	W81		781W 810732	1
<b>GROUP 0733 SEALER (DASH TO COWL TOP PANEL)</b>				
44-47	W81		781W 810733-A	1
<b>GROUP 0753 COVER (BATTERY)</b>				
44-47	W81	(Illustrated with Group 0170)	781W 810753	1
<b>GROUP 0763 SEAL (BATTERY COVER WEATHER)</b>				
44-47	W81	(Illustrated with Group 0170)	781W 810763-A	1
<b>GROUP 0806 CATCH (TAIL GATE CHAIN)</b>				
44-52	C83		81C 830806	1
44-52	D83		81Y 830806	1

**08 BRACKET (TAIL GATE CHAIN)**

44-47			781C 830808	2
44-47			781Y 830808	2

**BUY IT NOW!**
**Click Here To Order**




## BODY PARTS CATALOGUE

YEAR 19	BODY TYPES	REMARKS	PART NUMBER	NO. REQ'D
GROUP 0824 SPRING (TAIL GATE CHAIN HOOK SAFETY)				
44-46	C83, D83		+46 830824	2
GROUP 0860 HINGE (TAIL GATE)				
44-50	C83	Replaced by 8C-8343018	81C 830860	2
44-52	D83		81Y 830860	2
GROUP 1000-1 STRIP (FRONT BODY PILLAR FINISH)				
44-47	W81	R.H.	+81W 811000	1
44-47	W81	L.H.	+81W 811001	1
GROUP 1110-1 FRAME ASSY. (WINDSHIELD)				
44-47	W81	R.H. -painted	81W 811110-C	1
44-47	W81	L.H. -painted	81W 811111-C	1
GROUP 1148 CLIP (WINDSHIELD FRAME CORNER)				
44-47	W81		+81W 811148-A	4
GROUP 1150 GLASS ASSY. (WINDSHIELD)				
44-47	W81		+81W 811150	2
GROUP 1170 HINGE ASSY. (WINDSHIELD)				
44-47	W81		+50 811170	4
GROUP 1178-9 BRACKET (WINDSHIELD HINGE SUPPORT)				
44-47	W81	R.H.	+81W 811178	2
44-47	W81	L.H.	+81W 811179	2
GROUP 1182 ARM (WINDSHIELD ADJUSTING)				
44-47	W81		+81W 811182	4
44-47	W81	5/16" x 3/4" x 1/32" Special flat washer	+351360-S	4
GROUP 1189 SCREW (WINDSHIELD SWING ARM TO BRACKET)				
44-47	W81		+81W 811189	4
GROUP 1190 WEATHERSTRIP (WINDSHIELD FRAME)				
44-47	W81		81W 811190-A	2
44-47	W81	No.8 x 1" Oval head sheet metal screw	33013-813	4
GROUP 1194-5 PIN (WINDSHIELD ARM SHOULDER)				
44-47	W81	R.H.	+81W 811194	2
44-47	W81	L.H.	+ 81W 811195	2
44-47	W81	1/4" -20 x 1" Round head screw	36912-883	4
44-47	W81		81W 811210	1
44-47	W81		+32995-813	1



# BUY IT NOW!

Click Here To Order





## BODY PARTS CATALOGUE

YEAR 19	BODY TYPES	REMARKS	PART NUMBER	NO. REQ'D
<b>GROUP 1560 PANEL (FRONT BELT RAIL FINISH)</b>				
44-47	W81		+81W 811560	1
<b>GROUP 1584 PLATE (STEERING POST BRACKET REINFORCEMENT)</b>				
44-47	W81		+81W 811584	1
<b>GROUP 1640 ELEMENT ASSY. (CIGAR LIGHTER)</b>				
46-47	70,71,72B,73,76,77,78,79H	For manual type cigar lighter	81A 701640-A	1
<b>GROUP 1642 COMPARTMENT ASSY. (GLOVE)</b>				
44-47	W81		+81W 811642	1
44-47	W81	No. 8 x 1/2" Binding head sheet metal screw	32923-S7	4
<b>GROUP 1649 SPRING (GLOVE COMPARTMENT DOOR)</b>				
44-47	C81, T81, C82, Y82		81C 811649	1
44-47	W81		81C*811649	2
<b>GROUP 1671 BUMPER (GLOVE COMPARTMENT DOOR)</b>				
46-48	70,71,72B,73,76,77,78,79H	(Illustrated with Group 2610)	+48 701671-A	2
49	Pass., Station Wagon	(Illustrated with Group 2610)	352168-AS	2
50	Pass., Station Wagon	(Illustrated with Group 2610)	8A 7006066	2
51	Pass., Station Wagon	(Illustrated with Group 2610)	+48 701671-A	2
52	Pass., Station Wagon	(Illustrated with Group 2610)	357811-S	2
<b>GROUP 1833 RUN AND CLIP ASSY. (DOOR GLASS)—LOCK SIDE—LOWER</b>				
44-47	C81, T81, W81, C82, Y82		81C 811833-A	2
<b>GROUP 1839 RUN (FRONT DOOR GLASS)—HINGE SIDE—UPPER AND TOP</b>				
44-47	C81, T81, W81, C82, Y82		81C 811839-A	2
44-47	C81, T81, W81, C82, Y82	No. 6 x 1/2" Flat head sheet metal screw	32791-S2	12
<b>GROUP 1842-3 RETAINER ASSY. (DOOR GLASS RUN)</b>				
44-47	C81, T81, W81, C82, Y82	Lock side—R.H.	+81C 811842	1
44-47	C81, T81, W81, C82, Y82	Lock side—L.H.	81C 811843	1
<b>GROUP 1850-1 LOCK AND REMOTE CONTROL ASSY. (DOOR)</b>				
44-47	C81, T81, W81, C82, Y82	R.H.—L.H.D.	81C 811850	1
44-47	C81, T81, W81, C82, Y82	L.H.—L.H.D.	81C 811851	1
44-47	C81, T81, W81, C82, Y82	No. 12-24 x 1/2" Oval head screw & washer assy	42668-S2	8
<b>GROUP 1870 SPRING (DOOR LOCK MAIN)</b>				
44-47	C81, T81, W81, C82, Y82		+81C 811870	2
44-47	C81, T81, W81, C82, Y82	No. 6 x 1/2" Flat head sheet metal screw	32791-S2	12
<b>2036 WEATHERSTRIP (DOOR AT WHEEL HOUSE)</b>				
			+81W 812036	2



# BUY IT NOW!

Click Here To Order




**BODY PARTS CATALOGUE**

YEAR 19	BODY TYPES	REMARKS	PART NUMBER	NO. REQ'D
<b>GROUP 2176 ARM ASSY. (DOOR CHECK)</b>				
44-47	C81, T81, C82, Y82		81C 812176-B	2
44-47	C82, T81, C82, Y82	3/16" x 9/16" Oval head tubular rivet	63373-83	2
44-47	W81		F81W 812176	2
44-47	W81	.2" x .44" Special rivet	F351971-8	2
<b>GROUP 2192 BRACKET (REAR DOOR CHECK ARM)—ON BODY</b>				
44-48	78		F81C 812192	2
44-47	C81, T81, C82, Y82		F81C 812192	4
44-47	W81		F81W 812192	4
<b>GROUP 2230-1 WEATHERSTRIP (DOOR BOTTOM)</b>				
44-47	W81	R.H.	F81W 812230	1
44-47	W81	L.H.	F81W 812231	1
<b>GROUP 2232 RETAINER (DOOR BOTTOM WEATHERSTRIP)</b>				
44-47	W81		F81W 812232	2
<b>GROUP 2287 RIVET (DOOR LOCK CONNECTING LINK AND LOCK)</b>				
46-48	70, 71, 72B, 73, 76, 77, 78, 79B	(Illustrated with Group 21402-3 & 21458-9)	F48 702287	2or4
<b>GROUP 2293 WASHER (DOOR LOCK CONNECTING LINK AND LOCK)</b>				
46-48	70, 71, 72B, 73, 76, 77, 78, 79B	(Illustrated with Group 21402-3 & 21458-9)	F48 702293	2or4
<b>GROUP 2336 RETAINER ASSY. (DOOR LOCK STRIKER PLATE NUT)</b>				
44-52	Trucks		F48 702336-A	2
<b>GROUP 2340 PLATE (DOOR LOCK STRIKER)</b>				
44-48	Trucks	Replaced by 7C-8122010	F48 702340	2
44-48	Trucks	1/4" - 20 x 3/4" Flat head machine screw	350299-87	4
<b>GROUP 2356 PAD (DOOR HANDLE OUTSIDE ESCUTCHEON)</b>				
44-47	Trucks		F48 702356	2
<b>GROUP 2400-1 HANDLE ASSY. (REAR DOOR INSIDE)</b>				
46-48	79B	R.H.	68 792400	1
46-48	79B	L.H.	68 792401	1
46-48	79B	No.10-32 x .62" Special fillister head screw	F 350104 S13	2
<b>GROUP 2402 HANDLE ASSY. (DOOR INSIDE)</b>				
44-47	C81, T81, W81, C82, Y82	Chrome finish	81A 702402-A	2
<b>22 HANDLE (REAR DOOR INSIDE PULL-TO)</b>				
4			F81A 792422	2
4			F32477-813	2

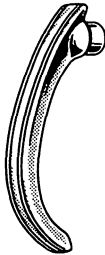

**BUY IT NOW!**
**Click Here To Order**




BODY PARTS CATALOGUE



+ 11A-7022614



81A-702402-A  
+ 21A-7022614-C



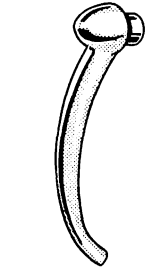
\*1A 7022600



68-792400



81A-792422



+ 8A-7022614 -A OR B

+ REFER TO GROUP 22614  
\* REFER TO GROUP 22600

P-873

DOOR HANDLES (INSIDE)

YEAR	BODY TYPES	REMARKS	PART NUMBER	NO. REQ'D
------	------------	---------	-------------	-----------

GROUP 2450-1 HINGE ASSY. (DOOR-UPPER)

44-47	W81	R.H.	+81W 812450	1
44-47	W81	L.H.	81W 812451	1
44-47	W81	5/16"-24 x 1 1/2" Special head machine screw	+ 350382-52	6
44-47	W81	5/16" Internal tooth lockwasher	+ 351342-52	6

GROUP 2454 HINGE ASSY. (DOOR-LOWER)

44-47	W81		81W 812454	2
44-47	W81	5/16"-24 x 1 1/2" Special head machine screw	+ 350382-52	6
44-47	W81	5/16" Internal tooth lockwasher	+ 351342-52	6

GROUP 2475 PIN (DOOR HINGE)

46-48	70, 72B, 73, 76, 77, 78, 79B	Front-lower-2.68" long	48 782475-B	2
46-47	73	Rear-upper-2.68" long	48 782475-B	2
44-52	681, 681, W81	Upper-2.68" long - Cut as required	48 782475-B	4
44-52	682, Y82	2.68" long - Cut as required	48 782475-B	4

GROUP 2570 DOVETAIL ASSY. (FRONT DOOR)-FEMALE

44-48	79B		+40 702570-A	4
-------	-----	--	--------------	---

GROUP 2600 LEATHER (ROOF)

		(66" x 115")-order by yard	M 2600-G	
--	--	----------------------------	----------	--



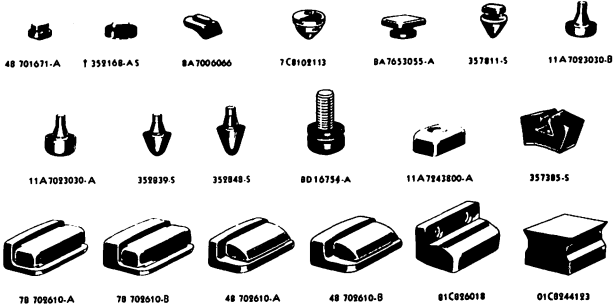
**BUY IT NOW!**

**Click Here To Order**





**BODY PARTS CATALOGUE**



P-1058

**BUMPERS**

YEAR	BODY TYPES	REMARKS	PART NUMBER	NO. REQ'D
GROUP 2610 BUMPER (DOOR)				
46-48	70,72B,77	.80" long	78 702610-A	2
46-48	70,72B,77	.93" long	78 702610-B	2
46-48	71,73,76	.80" long	78 702610-A	4
46-48	71,73,76	.93" long	78 702610-B	4
46-48	78	.80" long	78 702610-A	6
46-48	78	.93" long	78 702610-B	6
44-52	Trucks	.80" long - Replaced by 48 702610-B	48 702610-A	4
44-52	Trucks	.93" long	48 702610-B	4

GROUP 2790 PIN (DOOR INSIDE HANDLE AND WINDOW REGULATOR HANDLE)

44-48	70,71,72B,73,76,77,78, 79B,C81,W81,W81,C82,Y82	.62" long (Illustrated with Group 21402-3 & 21458-9)	48 702790	4to8
-------	---	--	-----------	------

GROUP 2810 HOUSING ASSY. (DOOR CHECK ARM)

44-48	70,71,72B,73,76,77,78	(Illustrated with Group 23500)	81A 702810	2to4
44-51	C81,W81,W81		81A 702810	2
52	C81,W81,W81		81A 702810	2
49-50	70,72,73,76,79		81A 702810	2to4
44-51	70,71,72B,73,76,77,78,79 C81,W81,W81	3/16" x 7/16" Oval head solid rivet	+ 60916-S	4to8
51	60,70,72,73,76,79		81A 702810	2to4

GROUP 2828 ARM ASSY. (DOOR CHECK)

46-48	71		81A 702828	2
46-48	71	.2" x .44" Special rivet	+ 60916-S	2

GROUP 2842 BRACKET (DOOR CHECK ARM)

46-48	71	(Illustrated with Group 23500)	81A 702842	4
46-48	71		+ 60916-S	4
46-48	71		81A 702842	4
46-48	71		81A 702842	4to8



**BUY IT NOW!**

**Click Here To Order**




**BODY PARTS CATALOGUE**

YEAR 19	BODY TYPES	REMARKS	PART NUMBER	NO. REQ'D
<b>GROUP 2846 LOOP (DOOR CHECK STRAP)</b>				
46-48	79B		RIA 792846	8
46-48	79B	No.10-32 x 3/4" Oval head machine screw	30495-813	4
46-48	79B	No.10-13 x 1" Oval head wood screw	32479-833	12
<b>GROUP 2918 PLATE (DOOR ARM REST ATTACHING)</b>				
46-48	71,76		†40 702918	2
46-48	71,76	No.10-12 x 3/4" Binding head self tapping screw	32958-87	2
<b>GROUP 3080 HANDLE (OUTSIDE ASSIST)</b>				
44-47	W81		†81W 813080	2
44-47	W81	7/16"-20 x 3/4" Hex.head bolt	†20351-S2	4
44-47	W81	7/16" Flat washer	†34708-S2	4
44-47	W81	7/16" Lockwasher	34808-S8	4
<b>GROUP 3202-3 PANEL (BODY)—SIDE LINING—LOWER REAR</b>				
44-47	Y82	R.H.	†81T 923202	1
44-47	Y82	L.H.	†81T 923203	1
<b>GROUP 3371 WEATHERSTRIP (REAR WINDOW SLIDING GLASS)</b>				
44-47	W81	Center-special equipment	†50 813371	1
<b>GROUP 3372 RUN ASSY. (REAR WINDOW SLIDING GLASS)</b>				
44-47	W81	Special equipment	†50 813372	1
<b>GROUP 3396 SCREW ASSY. (REAR SLIDING WINDOW LOCKING THUMB)</b>				
44-47	W81	Special equipment	50 813396	1
44-47	W81	No.6 x 3/8" Binding head self tapping screw	32914-S8	2
<b>GROUP 3430 STRIP (REAR WINDOW FINISH)</b>				
44-47	W81	For stationary glass	†50 813430-A	1
44-47	W81	No.8 x 1" Oval head sheet metal screw	33013-813	6
44-47	W81	Sliding-special equipment	†50 813430-B	1
<b>GROUP 3460-1 PANEL (BACK PANEL—UPPER QUARTER TRIM)</b>				
44-47	W81	R.H.	†81W 813460	1
44-47	W81	L.H.	†81W 813461	1
44-47	W81	No.8 x 1/2" Oval head sheet metal screw	†32988-815	4
44-47	W81	No.8 Finishing washer	34885-S7	4
<b>GROUP 3478 CARDBOARD ASSY. (BODY BACK PANEL TRIM)</b>				
44-47			†81W 813478	1
			†81W 813482	1


**BUY IT NOW!**
**Click Here To Order**




## BODY PARTS CATALOGUE

YEAR 19	BODY TYPES	REMARKS	PART NUMBER	NO. REQ'D
<b>GROUP 3687-8 LOCK SET (IGNITION AND DOOR)—WITH 2 KEYS</b>				
49	70,72,73	In carton-contains 1 ignition and 2 door locks-replaced by 8A 7022050	8A 3687-A	1
49	79	In carton-contains 1 ignition and 2 door locks-replaced by 8A 7022050	8A 3687-B	1
49	76	In carton-contains 1 ignition and 2 door locks-replaced by 8A 7022050	8A 3687-C	1
48-50	C81,W81,W81	In carton-contains 1 ignition and 1 door lock	8HC 3687-A	1
48-50	C82A	In carton-contains 1 ignition, 1 side door lock and 1 rear door lock	8HC 3688-A	1
51	60,70,72,73	In carton-contains 1 ignition and 2 door locks-Replaced by BPR-7022050-B	1A 3687-A	1
51	76	In carton-contains 1 ignition and 2 door locks	1A 3687-B	1
51	79	In carton-contains 1 ignition and 2 door locks	1A 3687-C	1
51-52	C81A,W81A,W81A	In carton-contains 1 ignition and 1 door lock	8HC 3687-A	1
51-52	C81B,W81B,W81B	In carton-contains 1 ignition and 2 door locks and 1 glove comp. lock	1C 3687-A	1
52	Q81A	In carton-contains 1 ignition and 1 door lock	8HC 3687-A	1
52	Q81B	In carton-contains 1 ignition and 2 door locks and 1 glove comp. lock	1C 3687-A	1
51-52	C82A	In carton-contains 1 ignition, 1 side door lock and 1 rear door lock	8HC 3688-A	1
51-52	C82C	In carton-contains 1 ignition, 2 side door locks, 1 back door lock and 1 glove comp. lock	1C 3688-A	1
52	60,70,72,73,76	Refer to Group 22050		
52	59A,78A,79B	In carton-contains 1 ignition, 2 door locks, 2 levers, 2 springs 1 lift gate lock, 1 glove compartment lock and 2 keys	8A 3687-C	1
52	79C	In carton-contains 1 ignition, 2 door locks, 2 levers, 2 springs 1 lift gate lock, 1 glove compartment lock and 2 keys	8A 3687-D	1

**GROUP 3689 LOCK SET (GLOVE AND LUGGAGE COMPARTMENT)—WITH 2 KEYS**

44-48	Pass.	In carton-contains 1 glove comp. lock and 1 luggage comp. lock	51A 3689-A	1
44-48	Station Wagon	In carton-contains 2 tail gate locks, 1 glove comp. lock and 1 wheel lock	21A 3689-B	1
49	Pass.	In carton-contains 1 glove comp. and 1 luggage comp. lock	8A 3689-A	1
49	Station Wagon	In carton-contains 1 glove comp., 1 back window & 1 wheel lock	8A 3689-B	1
51	Pass.	In carton-contains 1 glove comp. and 1 luggage comp. lock	1A 3689-A	1
52	Pass.	In carton-contains 1 glove comp. and 1 luggage comp. lock	8A 3689-B	1

**GROUP 3775 HANDLE AND CATCH ASSY. (QUARTER WINDOW SLIDING GLASS)**

46-47	79B		81A 793775-B	4
-------	-----	--	--------------	---

**GROUP 3796 SPRING (QUARTER WINDOW LATCH)**

46-48	79B		†81A 793796	4
49-51	79		†81A 793796	2or4

**GROUP 3824-5 MOULDING (ROOF DRIP)**

44-47	W81	R.H.	†81C 813824	1
44-47	W81	L.H.	†81C 813825	1

			†81W 813886	1
--	--	--	-------------	---



# BUY IT NOW!

Click Here To Order




**BODY PARTS CATALOGUE**

YEAR 19	BODY TYPES	REMARKS	PART NUMBER	NO. REQ'D
GROUP 3930 WASHER (DOOR ARM REST)				
46-48	Super DeLuxe Pass.		†40 703930	2
GROUP 4220 WEATHERSTRIP (BACK WINDOW GLASS)				
44-47	W81	For stationary glass	†40 704220	1
GROUP 4752 PANEL ASSY. (ROOF)				
44-47	C82A		81C 824752	1
44-47	Y82		†81Y 924752	1
GROUP 4892 RIB ASSY. (ROOF FRONT)				
44-47	C82A		†81C 824892	1
44-47	Y82		†81Y 924892	1
GROUP 4894 RIB ASSY. (ROOF CENTER)				
44-47	Y82		†81Y 924894	1
GROUP 4954-5 MOULDING (ROOF SIDE DRIP)—REAR				
44-47	Y82	R.H.	†81Y 924954	1
44-47	Y82	L.H.	81Y 924953	1
GROUP 4956 MOULDING (ROOF REAR DRIP)				
44-47	C82, Y82		†81C 824956	1
GROUP 5002 SILENCER (ROOF)				
46-48	70, 72B, 73, 77		†81A 705002	1 or 2
GROUP 5048 BOLT (FLOOR TO CHASSIS FRAME FRONT "U")				
44-47	T80, W80, 8T80, T86, 8T86	1 5/8" long (replaced by 8Y 8010265-B)	8B 185048	2 or 4
GROUP 5050 BOLT (FLOOR TO CHASSIS FRAME FRONT "U")				
44-47	Y80, Y86	14.92" long (replaced by 8B 185058-B)	†81Y 905050	2
GROUP 5052 BAR (FLOOR TO CHASSIS FRAME "U" BOLT)				
44-47	T80, W80, 8T80, T86, 8T86		8B 185052	2 or 6
GROUP 5052 BOLT (FLOOR TO CHASSIS FRAME "U")				
44-51	Y80, Y86	Rear-12.92" long-Replaced by 8Y 8010265-B	81Y 905052	1
52	Y80, Y86	Refer to Group 10265		
GROUP 5056 BAR (FLOOR TO CHASSIS "U" BOLT)—FRONT				
44-51			77 805056	4 or 6
44-51			8B 185058-A	2 or 4
44-51			8B 185058-B	4
52				

**BUY IT NOW!**

**Click Here To Order**


**BODY PARTS CATALOGUE**

YEAR 19	BODY TYPES	REMARKS	PART NUMBER	NO. REQ'D
GROUP 5058 BAR (FLOOR TO CHASSIS "U" BOLT)—REAR				
44-52	Y80, Y86		77 805058	3or4
44-52	Y80, Y86	No. 12 x 1" Flat head wood screw		6or8
GROUP 5060 PLATE (FLOOR SIDE SILL TO "U" BOLT)				
44-47	T80, W80, 8T80, T86, 8T86		*AA 185060-B	2
GROUP 5066 PLATE (FLOOR SIDE SILL TO CROSS SILL)				
44-52	C80, C86		77 805066	6
44-52	Y80, Y86		*BB 185066	3or4
44-52	T80, W80, T86		*BB 185066	6to10
44-52	8T80, 8T86		*BB 185066	8or10
44-52	C80, T80, W80, Y80, 8T80, C86	No. 12 x 1" Flat head wood screw		8to12
	T86, Y86, 8T86			
GROUP 5078-9 MEMBER ASSY. (FLOOR SIDE)				
44-52	8T80, 8T86	R.H.	*BB 185078	1
44-52	8T80, 8T86	L.H.	*BB 185079	1
44-52	8T80, 8T86	1/4" x 1/2" Oval head solid rivet	*C0913-S	44
GROUP 5084 BRACKET (FLOOR SIDE SILL TO FRAME)				
44-52	T80, W80, Y80, 8T80, T86, Y86, 8T86		*BB 185084	2
44-52	T80, W80, Y80, 8T80, T86, Y86, 8T86	3/8" -24 x 3" Hex. head bolt	*21558-S2	4
44-52	T80, W80, Y80, 8T80, T86, Y86, 8T86	3/8" Flat washer	44726-S8	4
44-52	T80, W80, Y80, 8T80, T86, Y86, 8T86	3/8" Lockwasher	34807-S8	4
44-52	T80, W80, Y80, 8T80, T86, Y86, 8T86	3/8" -24 Hex. nut	33800-S8	4
GROUP 5136 CLIP (QUARTER WINDOW GLASS FRAME)—UPPER AND LOWER				
46-47	72B, 73B		*68 735136-B	4
GROUP 5145 STRIP (FLOOR SKID)				
44-52	8T80, 8T86		BB 185145	9
44-52	C80, C86		77 805145	7
44-52	C80, 8T80, C86, 8T86	5/16" - 18 x 1 1/2" Carriage bolt	23468-S8	28or36
44-52	C80, 8T80, C86, 8T86	5/16" Flat washer	134706-S2	28or36
44-52	C80, 8T80, C86, 8T86	5/16" Lockwasher	34806-S7	28or36
44-52	C80, 8T80, C86, 8T86	5/16" Square nut	34096-S8	28or36
GROUP 5160 PLATE (FLOOR SIDE SILL TO "U" BOLT)—FRONT				
44-52	C80, C86		*77 805160	2
44-52	C86	No. 12 x 1" Flat head wood screw		4
GROUP 5162 PLATE (FLOOR SIDE SILL TO "U" BOLT)—FRONT				
			77 805162	2
				4


**BUY IT NOW!**
**Click Here To Order**



**BODY PARTS CATALOGUE**

YEAR 19	BODY TYPES	REMARKS	PART NUMBER	NO. REQ'D
------------	------------	---------	-------------	--------------

**GROUP 5222-3 RISER ASSY. (SEAT)**

44-47	W81	R.H.	#81W 815222	1
44-47	W81	L.H.	#81W 815223	1

**GROUP 5280-1 HANDLE (QUARTER GLASS FRAME)**

46-48	72B,73B	R.H. (Illustrated with Group 29700-1)	78 735280	1
46-48	72B,73B	L.H.	78 735281	1
46-48	72B,73B	Special spring washer	356361-87	2
46-48	72B,73B	3/32" Special groove pin	352471-87	2
49-50	70B,72B	R.H.	78 735280	1
49-50	70B,72B	L.H.	78 735281	1
49-50	70B,72B	Special spring washer	356361-87	2
49-50	70B,72B	3/32" Special groove pin	352471-87	2

**GROUP 5280-1 HANDLE (VENTILATOR WINDOW)**

48-50	C81,T81,W81,C82A	R.H. (Illustrated with Group 21402-3)	78 735280	1
48-50	C81,T81,W81,C82A	L.H.	78 735281	1
48-50	C81,T81,W81,C82A	Special spring washer	356361-87	2
48-50	C81,T81,W81,C82A	3/32" Special groove pin	352471-87	2

**GROUP 5294 POCKET (STAKE)—SIDE AND REAR**

44-52	C80,C86		77 809294	12
44-51	Y80,Y86		AA 185294-B	12
44-51	T80,W80,BT80,T86,BT86		AA 185294-B	16
44-51	T80,W80,Y80,BT80		AA 185294-B	12 or 16
52	T80,W80,BT80,T86,BT86	Refer to Group 28761		

**GROUP 5296 POCKET (STAKE)—FRONT**

44-52	T80,W80,Y80,BT80,T86,Y86, BT86		81Y 909296	4
-------	-----------------------------------	--	------------	---

**GROUP 5298 WEATHERSTRIP (REAR DOOR LOCK SIDE)**

44-47	C82,Y82		#81C 825298	1
44-47	C82,Y82	No.6 x 1/2" Binding head sheet metal screw	32921-88	3

**GROUP 5370-1 WEATHERSTRIP (REAR DOOR TOP SIDE AND BOTTOM)**

44-47	C82,Y82	R.H.	#81C 825370	1
44-47	C82,Y82	L.H.	81C 825371	1

**GROUP 5376 PLATE (SEAT CUSHION FRAME DOWEL)**

44-47	W81		#81W 815376	4
-------	-----	--	-------------	---

**GROUP 5382-3 COVER ASSY. (SEAT CUSHION)**

44-47	W81	R.H.	#81W 815382	1
44-47		L.H.	#81W 815383	1

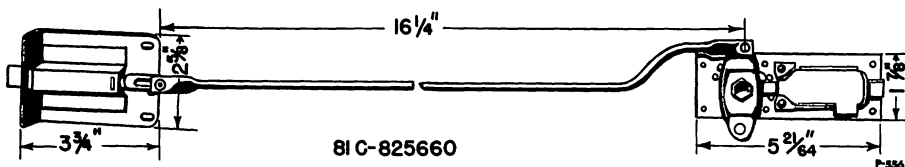
46			78 45465-B	2
----	--	--	------------	---


**BUY IT NOW!**
**Click Here To Order**

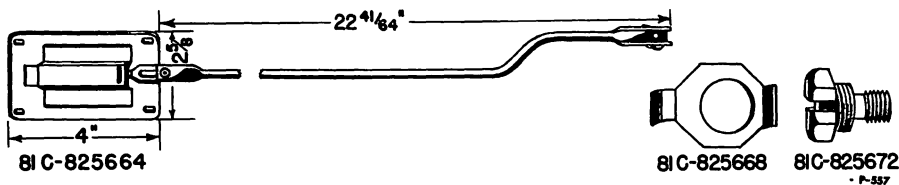



BODY PARTS CATALOGUE

YEAR 19	BODY TYPES	REMARKS	PART NUMBER	NO. REQ'D
GROUP 5480 WASHER (BACK WINDOW SWING ARM)				
44-47	79B,W81		B 45480-A	2or4
GROUP 5482 NUT (WINDSHIELD SWING ARM BRACKET THUMB SCREW)				
44-47	W81		B 45482-B	4
GROUP 5510 GLASS (REAR DOOR WINDOW)				
44-47	082,Y82		81C 825510	2
GROUP 5656 PLATE (REAR DOOR LOCK COVER)				
44-47	082,Y82		†81C 825656	1



GROUP 5660 LATCH AND CAM LINK ASSY. (REAR DOOR)—UPPER				
44-47	082,Y82	R.H.	81C 825660	1
48-52	082	Refer to Group 43292		



GROUP 5664 LATCH AND ROD ASSY. (REAR DOOR)—LOWER				
44-47	082,Y82	R.H.	81C 825664	1
48-52	082	Refer to Group 43294		
GROUP 5668 PLATE (REAR DOOR LOCK SLIDE SHOULDER LOCKING)				
44-52	082,Y82		81C 825668	1

GROUP 5672 SCREW (REAR DOOR LOCK SLIDE SHOULDER)				
			81C 825672	1



**BUY IT NOW!**

**Click Here To Order**





## BODY PARTS CATALOGUE

YEAR 19	BODY TYPES	REMARKS	PART NUMBER	NO. REQ'D
<b>GROUP 5720 SPRING (TAIL GATE COUNTERBALANCE)</b>				
46-48	79B		†68 795720	1
<b>GROUP 5722 STUD (TAIL GATE COUNTERBALANCE SPRING)</b>				
46-47	79B		†68 795722	1
<b>GROUP 5850-2 HINGE ASSY. (REAR DOOR)</b>				
44-47	C82, Y82	Upper-R.H.	81C 825890	1
44-47	C82, Y82	Upper-L.H.	81C 825891	1
44-47	C82, Y82	Lower	81C 825852	2
44-47	C82, Y82	5/16"-24 x 1" cross recess flat head screw and washer assy.	35282-88	8or16
<b>GROUP 5950 DOVETAIL (REAR DOOR)—MALE</b>				
44-52	C82, Y82		81C 825950	1
<b>GROUP 5970 DOVETAIL ASSY. (REAR DOOR)—FEMALE</b>				
44-51	C82, Y82		81C 825970	1
<b>GROUP 6018 BUMPER (REAR DOOR)—LOWER</b>				
44-47	C82, Y82	(Illustrated with Group 2610)	81C 826018	4
48-51	C82A		81C 826018	1
44-51	C82, Y82	No. 6 x 1/2" Binding head sheet metal screw	32921-85	1or4
<b>GROUP 6122 BRACKET (BACK WINDOW SWING)—ON BODY</b>				
46-48	79B		78 796122	2
46-48	79B	No.10-13 x 1" Oval head wood screw	32479-87	6
<b>GROUP 6147 TAPE (FRICTION)</b>				
46-48	79B	Cut 124" for roof drip moulding filler	M 6167	
<b>GROUP 6200 RACK ASSY. (FRONT)</b>				
44-50	†80, †80, 8†80, †86, 8†86		81† 906200	1
<b>GROUP 6202-3 RACK ASSY. (FRONT SIDE)</b>				
44-50	8†80, 8†86	R.H. Replaced by B4† 8628734-B	BB 186202	1
44-50	8†80, 8†86	L.H. Replaced by B4† 8628735-B	BB 186203	1
<b>GROUP 6204-5 RACK ASSY. (REAR SIDE)</b>				
44-50	8†80, 8†86	R.H. Replaced by B4† 8628736-B	BB 186204	1
44-50	8†80, 8†86	L.H. Replaced by B4† 8628737-B	BB 186205	1
<b>GROUP 6206-7 RACK ASSY. (SIDE INTERMEDIATE)</b>				
44		R.H. Replaced by B4† 8628756-B	BB 186206	1
44			BB 186207	



# BUY IT NOW!

Click Here To Order





**BODY PARTS CATALOGUE**

YEAR	BODY TYPES	REMARKS	PART NUMBER	NO. REQ'D
<b>GROUP 6220-1 RACK ASSY. (REAR)</b>				
44-50	T80, W80, 8T80, T86, 8T86	R.H. Replaced by B4T A6490J0-A	BB 186220	1
44-50	T80, W80, 8T80, T86, 8T86	L.H. Replaced by B4T A6490J1-A	BB 186221	1
<b>GROUP 6230 STAKE</b>				
44-47	C80, C86		+77 806230	12
<b>GROUP 6275 STRIP (WINDOW GLASS RETAINING)</b>				
46-48	70	Quarter-.10" thick-for use with thick glass-(1 3/8" wide)	† M 6275-K	● 35.54"
46-48	70	Quarter-.1250" thick-for use with thin glass-(1 3/8" wide)	† M 6275-L	● 35.54"
46-48	70, 72B, 79B	Door-.10" thick-for use with thick glass-(1 3/8" wide)	† M 6275-K	● 24.9 "
46-48	70, 72B, 79B	Door-.1250" thick-for use with thin glass-(1 3/8" wide)	† M 6275-L	● 24.9 "
46-48	73, 77, 78	Front door-.10" thick-for use with thick glass-(1 3/8" wide)	† M 6275-K	● 16.12"
46-48	73, 77, 78	Front door-.1250" thick-for use with thin glass-(1 3/8" wide)	† M 6275-L	● 16.12"
46-48	73	Rear door-.10" thick-for use with thick glass-(1 3/8" wide)	† M 6275-K	● 25.18"
46-48	73	Rear door-.1250" thick-for use with thin glass-(1 3/8" wide)	† M 6275-L	● 25.18"
46-47	C81, T81, W81, C82, Y82	Door-.10" thick-for use with thick glass-(1 3/8" wide)	† M 6275-K	● 25.35"
46-47	C81, T81, W81, C82, Y82	Door-.1250" thick-for use with thin glass-(1 3/8" wide)	† M 6275-L	● 25.35"
48-50	C81, T81, W81, C82A	Door-.10" thick-for use with thick glass (1 3/8" wide)	† M 6275-K	● 19.10"
48-50	C81, T81, W81, C82A	Door-.1250 thick-for use with thin glass-(1 3/8" wide)	† M 6275-L	● 19.10"
<b>GROUP 6280 STAKE ASSY.</b>				
44-51	T80, W80, 8T80, T86, 8T86	Replaced by B4T 8628732-A	AA 186280-B	20
52	T80, W80, 8T80, T86, 8T86	Refer to Group 28732		
<b>GROUP 6304-5 HINGE (SIDE RACK)</b>				
44-52	T80, W80, 8T80, T86, 8T86	R.H.	AA 186304-B	6
44-52	T80, W80, 8T80, T86, 8T86	L.H.	AA 186305-B	6
44-52	T80, T86	Front & rear-R.H.	AA 186304-B	4
44-52	T80, T86	Front & rear-L.H.	AA 186305-B	4
<b>GROUP 6307 PIN (SIDE RACK HINGE)</b>				
44-52	T80, W80, 8T80, T86, 8T86	40 5/8" long	AA 186307	2
<b>GROUP 6310 PIN AND CHAIN ASSY. (SIDE RACK HINGE)</b>				
44-52	T80, W80, 8T80, T86, 8T86	Pin 5.06" long	AA 186310	2
<b>GROUP 6330 PANEL (METAL SIGN)</b>				
44-48	8T80, 8T86		†BB 186330	2
44-48	8T80, 8T86	1/4"-20 x 1 1/4" Step bolt	† 23931-S2	8
<b>GROUP 6335 PIN (DOOR HINGE)</b>				
44-47	C81, T81, W81, C82, Y82	2.06" long	B 46335	3
<b>GROUP 6341 SLAT (ROOF)</b>				
4		103.6" x 1 3/4"-out to size required	†78 796341	18



**BUY IT NOW!**

**Click Here To Order**



retailer M 6401-X No longer supplied



## BODY PARTS CATALOGUE

YEAR 19	BODY TYPES	REMARKS	PART NUMBER	NO. REQD
<b>GROUP 6979      RETAINER (LUGGAGE COMPARTMENT DOOR HANDLE KEY HOLE COVER SPRING)</b>				
46-49	Pass.		81A 706979	1
<b>GROUP 6989      SPRING (LUGGAGE COMPARTMENT DOOR HANDLE KEY HOLE COVER RETAINER)</b>				
46-48	70, 71, 72B, 73, 76, 77		†81A 706989-A	1
49	70, 72, 73, 76		†81A 706989-A	1
<b>GROUP 7020      PIN (SEAT BACK HINGE)</b>				
46-48	77	Rear seat back frame to frame to floor hinge	†B 37020	2
46-47	081, 761		†B 37020	2
<b>GROUP 7160      CLIP (FRONT SEAT ROBE CORD BRACKET STAY)</b>				
46-48	73B		78 737160	2
49-51	73B, 76		78 737160	2or4
49-51	73B, 76	No. 6 x 1/2" Binding head self-tapping screw	32921-88	2or4
51	60		78 737160	4
51	60	No. 6 x 12" Binding head self-tapping screw	32921-88	4
52	60B, 73B, 76, 79		78 737160	2or4
52	60B, 73B, 76, 79	No. 6 x 1/2" Binding head self-tapping screw	32921-88	2or4
<b>GROUP 7213      KNOB (COWL VENTILATOR LEVER)</b>				
46-48	70, 71, 72B, 73, 76, 77, 78, 79B		6A 7213	1
<b>GROUP 7350      CATCH ASSY (SEAT LEG)</b>				
46-48	79B	Rear and center seat	†81A 797350	5or6
50-51	79		†81A 797350	2or6
50-51	79	1/4" -20 x 1" Binding head bolt	†39139-82	4or12
50-51	79	1/4" -20 Locknut	34370-88	4or12
<b>GROUP 8167      BUMPER (TOOL COMPARTMENT ASSY.)</b>				
48-52	081, 761, 781		91A 8167-A	2or3
<b>GROUP 8305      CONNECTION (REAR STAKE RACK)</b>				
44-52	760, 780, 780, 8780, 766, 786, 8786		AA 188305	2
<b>GROUP 8308-9      CONNECTION (STAKE)</b>				
44-52	080, 780, 780, 780, 8780, 086, 786, 786, 8786	R. H.	AA 188308	4
44-52	080, 780, 780, 780, 8780, 086, 786, 786, 8786	L. H.	AA 188309	4
<b>GROUP 8438      HOOK (TAIL GATE CHAIN)</b>				
44-50			B 78438	2
<b>GROUP 9145      BUMPER (BETWEEN FRONT PANEL AND CAB)</b>				
4			7C 9145	2



BUY IT NOW!

Click Here To Order





**BODY PARTS CATALOGUE**

YEAR 19	BODY TYPES	REMARKS	PART NUMBER	NO. REQD
---------	------------	---------	-------------	----------

**GROUP 9202-7 RACK ASSY. (SIDE)**

44-50	T80,W80,T86	Front-R.H. Replaced by 8T 8628734	BB 189202	1
44-50	T80,W80,T86	Front-L.H. Replaced by 8T 8628735	BB 189203	1
44-50	T80,W80,T86	Rear-R.H. Replaced by 8T 8628736	BB 189204	1
44-50	T80,W80,T86	Rear-L.H. Replaced by 8T 8628737	BB 189205	1
44-50	T80,W80,T86	Intermediate-R.H. Replaced by 8T 8628756	BB 189206	1
44-50	T80,W80,T86	Intermediate-L.H. Replaced by 8T 8628757	BB 189207	1

**GROUP 9330 PANEL (METAL ADVERTISING)**

44-50	T80,W80,T86		† BB 189330	2
44-50	T80,W80,T86	1/4" x 1 1/16" Solid rivet	+61938-S	28or32
44-50	T80,W80,T86	1/4" x 1 3/16" Solid rivet	+61959-S	4

**GROUP 9791 RETAINER (TOP VINYL PLASTIC)**

50-51	70C	84" long - black	M 9791-B	2
-------	-----	------------------	----------	---

**GROUP 00120 FRONT ASSY. (BODY)**

51	60	L.H.D. - dash panel not included	1A 6000120	1
46-48	71	L.H.D. - includes dash panel	†51A 7100120-B	1
46	76	L.H.D. - includes dash panel	21A 7600120	1
46-48	76	L.H.D. - includes dash panel	†51A 7600120-E	1
49-50	76	L.H.D. - includes dash panel - Replaced by 1A 7600120	0A 7600120	1
51	76	L.H.D. - dash panel not included	1A 7600120	1
52	76	L.H.D. - dash panel not included	BA 7600120-A	1
47-48	79B	L.H.D.	†51A 7900120-C	1
44-47	C81,T81	L.H.D. - includes roof panel	21C 8100120-A	1
47	C81,T81	L.H.D. - includes roof panel	21C 8100120-B	1
48-50	C81,T81	L.H.D. - includes roof panel	7C 8100120-B	1
51	C81,T81	L.H.D. - includes roof panel - Replaced by 2C 8100120-A	1C 8100120-B	1
52	C81,Q81,T81	L.H.D. - includes roof panel	2C 8100120-A	1
44-47	W81	L.H.D. - roof panel not included	21W 8100120	1
48-50	W81	L.H.D. - includes roof panel	7W 8100120	1
51	W81	L.H.D. - includes roof panel	1W 8100120-A	1
52	W81	L.H.D. - includes roof panel	2W 8100120-A	1
44-47	C82,T82	L.H.D. - roof panel not included	21C 8200120-A	1
47	C82,T82	L.H.D. - roof panel not included	21C 8200120-B	1
48-50	C82A,C85,T85	L.H.D. - roof panel not included	7C 8200120-C	1
51	C82,C85,T85	L.H.D. - roof panel not included	1C 8200120-B	1
52	C82,C85,T85	L.H.D. - roof panel not included	2C 8200120-A	1
44-45	C94,T94	L.H.D. - roof panel not included - Replaced by 21C 8100120-B	21C 8400120-B	1
46-47	C84,T84	L.H.D. - roof panel not included	51A 8400120-C	1
48-50	C84,T84	L.H.D. - roof panel not included	7C 8400120-B	1
51	C84,T84	L.H.D. - roof panel not included - Replaced by 2C 8400120-A	1C 8400120-B	1
52	C84,T84	L.H.D. - roof panel not included	2C 8400120-A	1

**GROUP 00124 PANEL (FRONT)**

44-50	C83		21C 8300124	1
50-52	C83		8C 8300124	1
44-52	C83	Bumper between panel and cab	7C 9145-A	2

**GROUP 00125 GLASS ASSY. (SIDE WINDOW)**

72-A	weatherstrip	8J 8500125	2
72 & 1J	8500174 with this glass	1J 8500125-A	2



**BUY IT NOW!**

**Click Here To Order** 









## BODY PARTS CATALOGUE

YEAR	BODY TYPES	REMARKS	PART NUMBER	NO. REQ'D
<b>GROUP 00131 SPRING (TENSION)—BODY TO FRAME BOLT</b>				
51	T81,W81,T84,T95		11W 8100131	2
<b>GROUP 00150 ANTI-SQUEAK (BODY TO FRAME)</b>				
46-48	70,71,72B,73,76,77,78,79B		11A 7000150-B	2to10
<b>GROUP 00154 ANTI-SQUEAK (BODY TO FRAME)</b>				
46-48	70,71,72B,73,76,77,78,79B		721A 7000154-A	2to10
52	59,60,70,72,73,78,79		BA 7000154-B	20to23
<b>GROUP 00172 WEATHERSTRIP (SIDE WINDOW)</b>				
48-52	J85	80.50" long - Use with 8J 8500125 - glass	8J 8500172-A	2
51-52	J85	81.30" long - Use with 1J 8500125-A and 1J 8500174	1J 8500172	2
<b>GROUP 00174 INSERT (SIDE WINDOW WEATHERSTRIP)</b>				
51-52	J85	82" long-Use only with 1J 8500125-A,1J 8500174,and 1J 8500172	1J 8500174	2
<b>GROUP 01438 EXTENSION ASSY. (VENTILATING AIR DUCT)</b>				
51-52	W81	Accessory	11W 8101438-A	1
<b>GROUP 01508 SUPPORT ASSY. (BRAKE PEDAL)</b>				
52	59,60,70,72,73,76,78,79	Used with Standard or Automatic Transmission	BR 7001508-B	1
52	59,60,70,72,73,76,78,79	5/16" - 24 x 1/2" Hex head bolt	24311-88	1
52	59,60,70,72,73,76,78,79	5/16" Lockwasher (external tooth)	34941-87	1
52	59,60,70,72,73,76,78,79	No. 14 x 5/8 Hex washer head screw	31498-88	2
52	59,60,70,72,73,76,78,79	5/16" - Flat Washer	44722-88	2
<b>GROUP 01605 PANEL (DASH)</b>				
46-48	70,71,72B,73,76,77,78,79B	L.H.D.	11A 7001605-G	1
51	60,70,72,73,76,79		1A 7001605-C	1
<b>GROUP 01610 PANEL ASSY. (DASH)</b>				
46	70,72B,73,76,77,78,79B	L.H.D. replaced by 11A 7001605-G	11A 7001610-D	1
46	71	L.H.D. replaced by 11A 7001605-G	51A 7601610-B	1
49-50	70,72,73,76,79		0A 7001610-A	1
48-52	J85		8J 8501610	1
52	59,60,70,72,73,76,78,79	Replaced by BR 7001610-B	BA 7001610-B	1
52	59,60,70,72,73,76,78,79	1.87" Plug (button)	357216-S	2
52	59,60,70,72,73,76,78,79	Grommet - choke cable	352963-S	1
<b>GROUP 01616 COVER (DASH PANEL NO. 1 BODY BOLT ACCESS)</b>				
52	59,60,70,72,73,76,78,79		BA 7001616-A	1
52	59,60,70,72,73,76,78,79	No. 10 x 5/8" Hex. head self-tapping screw	42014-88	4

**01621 DECALCOMANIA (TRANSMISSION SPEED INFORMATION)**

48			77BQ 8101621	1
48			77BQH 8101621	1
48			78MTH 8101621	1

**BUY IT NOW!**  
Click Here To Order





## BODY PARTS CATALOGUE

YEAR	BODY TYPES	REMARKS	PART NUMBER	NO. REQ'D
GROUP 01641 COVER (HAND BRAKE CABLE OPENING IN DASH)				
52	59,60,70,72,73,76,78,79		BD 7301641-A	1
GROUP 01647 PLUG (DASH PANEL TRANSMISSION)				
51	Pass., Station Wagon		1A 7001647	4
GROUP 01664 HANGER ASSY. (BATTERY)				
44-47	W81	Illustrated with Group 0170	01W 8101664	1
GROUP 01670-1 INSULATOR ASSY. (DASH)				
46-48	70,72B,77,78,79B	L.H.D.-for use with 6 cylinder engine	†10A 7001670-D	1
46-48	70,72B,73,77,78,79B	L.H.D.-for use with 8 cylinder engine	†11A 7001670-E	1
46-48	70,71,72B,73,76,77,78,79B	1.12" Fastener	†353217-AS2	9
46-48	71,76	L.H.D.-for use with 8 cylinder engine	†51A 7601670-B	1
46-48	76	L.H.D.-for use with 6 cylinder engine	50A 7601670-E	1
49	70,72,73,76,79	Replaced by 0A 7001670-A	8A 7001670-B	1
49-50	70,72,73,76,79		0A 7001670-A	1
49-50	70,72,73,76,79	Clip-insulator	†352964-S3	6to9
51	60,70,72,73,76,79	Replaced by 1A 7001670-C	1A 7001670-B	1
51	60,70,72,73,76,79		1A 7001670-C	1
51	60,70,72,73,76,79	Fastener (trim)	†357036-S32	8
52	59,60,70,72,73,76,78,79	Black	BA 7001670-B	1
52	59,60,70,72,73,76,78,79	Fastener (trim)	†357036-S32	9
44-47	C81,T81,C82,Y82	L.H.D.	01C 8101670-A	1
47	C81,T81,C82,T82	L.H.D.	01C 8101670-B	1
48-51	C81,T81,C82	L.H.D.-Replaced by 2C 8101670-A	1C 8101670	1
52	C81,Q81,T81,C82	L.H.D.	2C 8101670-A	1
48-52	W81	R.H.-L.H.D.	7W 8101670	1
48-52	W81	L.H.-L.H.D.	7W 8101671	1
44-51	Trucks	Insulator retainer	358209-A-S4	12
GROUP 01683 PLATE ASSY. (STEERING COLUMN OPENING COVER)				
52	59,60,70,72,73,76,78,79	L.H. - Use with Standard and Overdrive Transmission	BA 7001683-A	1
GROUP 01694 GROMMET (DASH PANEL OVERDRIVE CABLE)				
51	60,70,72,73,76,79		1A 7001694	1
52	59,60,70,72,73,76,78,79		1A 7001694	1
GROUP 01695 GROMMET (HAND BRAKE CABLE AND SPEEDOMETER CABLE)				
46-48	70,71,72B,73,76,77,78,79B	In dash	†11A 7001695-A	1
49-50	Pass., Station Wagon	In dash Replaced by 1A 2273-Refer to Chassis Parts Catalogue	0A 7001695-B	1
48-52	Trucks except C.O.E.	In dash	7C 8101695	1
GROUP 01698-9 PLATE (STEERING COLUMN OPENING COVER)				
52	59,60,70,72,73,76,78,79	R.H. - All Transmissions	BA 7001698-C	1
52	59,60,70,72,73,76,78,79	L.H. - Automatic Transmission	BA 7001699-D	1
52	59,60,70,72,73,76,78,79	L.H.-Standard and Overdrive Transmission refer to Group 01683		
52	59,60,70,72,73,76,78,79	No. 10 x 5/8" Hex head self-tapping screw	42014-S8	8
52			BA 7001714-C	1
52			BA 7001715-C	1

**BUY IT NOW!****Click Here To Order**



## BODY PARTS CATALOGUE

YEAR 19	BODY TYPES	REMARKS	PART NUMBER	NO. REQ'D
------------	------------	---------	-------------	--------------

### GROUP 01726-7 BRACE (DASH PANEL TO FRAME)

46-48	70, 72B, 73, 77, 78, 79B	R.H.	11A 7001726	1
46-48	70, 72B, 73, 77, 78, 79B	L.H.	11A 7001727	1
46-48	71, 76	R.H.	11A 7601726-B	1
46-48	71, 76	L.H.	11A 7601727-B	1

### GROUP 01731 SEALER (DASH TO STEERING POST AND SHIFTER SHAFT)

46-48	70, 71, 72B, 73, 76, 77, 78, 79B	Sponge rubber-4.38" wide	11A 7001731-B	1
-------	----------------------------------	--------------------------	---------------	---

### GROUP 01740 SPACER (BODY TO FRAME)

51	Pass.		8M 7001740	2 or 18
52	76		8M 7001740	27
52	59, 60, 70, 72, 73, 78, 79		8M 7001740	AR

### GROUP 01748 PLATE (STEERING COLUMN OPENING TIE)

46-48	70, 71, 72B, 73, 76, 77, 78, 79B	On dash 9" long-used with 6 cylinder engine	11A 7001748	1
46-48	70, 71, 72B, 73, 76, 77, 78, 79B	On dash 12" long-used with 8 cylinder engine	11A 7001748-B	1

### GROUP 01756 COVER (DASH PANEL OPENING)

46-48	70, 71, 72B, 73, 76, 77, 78, 79B		11A 7001756-B	1
46-48	70, 71, 72B, 73, 76, 77, 78, 79B	No. 14 x 5/8" Special binding head sheet metal screw	31478-87	5

### GROUP 01790-1 SUPPORT AND BRACE ASSY. (DASH TO FRAME)

49-50	70, 72, 73, 76, 79	R.H.	8A 7001790-B	1
49-50	70, 72, 73, 76, 79	L.H.	8A 7001791-B	1
51	60, 70, 72, 73, 76, 79	R.H.	1A 7001790	1
51	60, 70, 72, 73, 76, 79	L.H.	1A 7001791	1

### GROUP 01814-5 REGISTER ASSY. (VENTILATION)

49	70, 72, 73, 76, 79		8A 7001814-B	2
49	70, 72, 73, 76, 79	No. 12 x 7/8" Binding head self-tapping screw	132945-813	8
50-51	70, 72, 73, 76, 79		0A 7001814	2
50-51	70, 72, 73, 76, 79	No. 10 x 1/2" Binding head self-tapping screw	32924-87	2
51	60		0A 7001814	2
51	60	No. 10 x 1/2" Binding head self-tapping screw	32924-87	2
52	59, 60, 70, 72, 73, 76, 78, 79	R.H.	8A 7001814-C	1
52	59, 60, 70, 72, 73, 76, 78, 79	L.H.	8A 7001815-C	1
52	59, 60, 70, 72, 73, 76, 78, 79	No. 12 x 1/2" Hex. washer head self-tapping screw	42128-88	4

### GROUP 01844 HANDLE (REGISTER DOOR)

49	70, 72, 73, 76, 79	Replaced by 8M 7301844	8A 7001844	2
49	70, 72, 73, 76, 79	No. 6 x 3/8" Binding head self-tapping screw	32914-85	2
52	59, 60, 70, 72, 73, 76, 78, 79		8M 7301844-A	2
52	59, 60, 70, 72, 73, 76, 78, 79	Heater door. Replaced by FAB 19203-A	8A 7001844-A	1

### GROUP 01846 PLATE (HEATER OPENING COVER)

49-50	70, 72, 73, 76, 79		0A 7001846	1
51	60	No. 8 x 1/2" Round head screw		2
51	60		0A 7001846	1
52	59, 60, 70, 72, 73, 76, 78, 79			2
52	59, 60, 70, 72, 73, 76, 78, 79		B5A 7001846-A	1
52	59, 60, 70, 72, 73, 76, 78, 79		42014-88	6



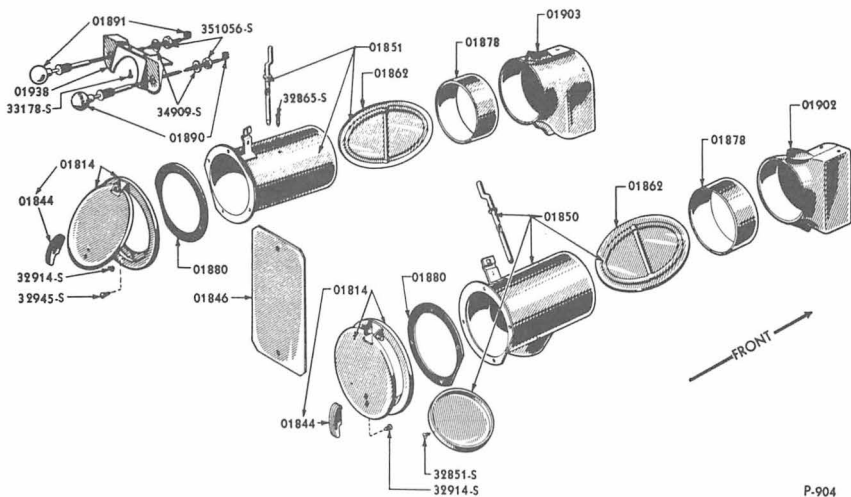
# BUY IT NOW!

Click Here To Order



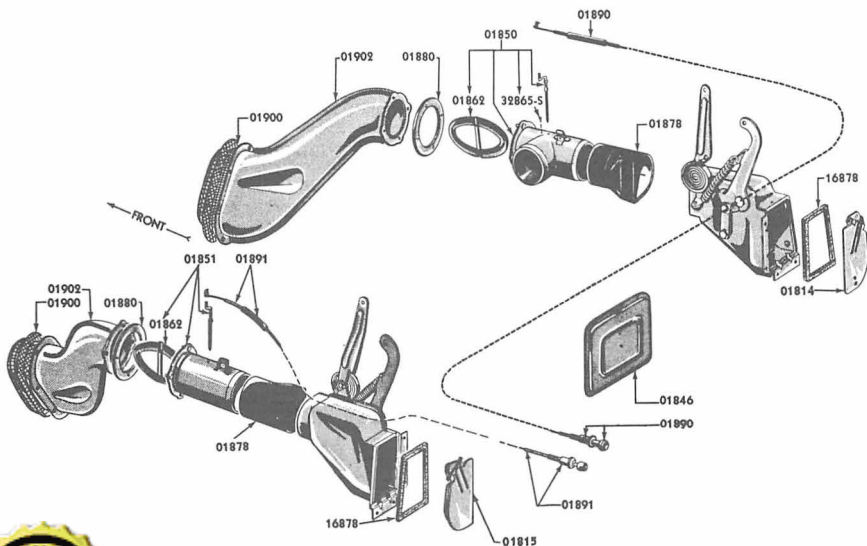


BODY PARTS CATALOGUE



P-904

1949 VENTILATING SYSTEM WITHOUT HEATER



P-1362



**BUY IT NOW!**

**Click Here To Order**

EM WITHOUT HEATER  
 refer to group for complete Part Number.





## BODY PARTS CATALOGUE

YEAR 19	BODY TYPES	REMARKS	PART NUMBER	NO. REQ'D
<b>GROUP 01850-1 VALVE ASSY. (VENTILATOR AIR)</b>				
49	70, 72, 73, 76, 79	R.H.	8A 7001850-A	1
49	70, 72, 73, 76, 79	L.H.	8A 7001851-A	1
50-51	70, 72, 73, 76, 79	R.H.	0A 7001850-A	1
50-51	70, 72, 73, 76, 79	L.H.	0A 7001851-A	1
51	60	R.H.	0A 7001850-A	1
51	60	L.H.	0A 7001851-A	1
48-52	J85	R.H.	8J 8501850-A	1
48-52	J85	L.H.	8J 8501851-A	1
52	59, 60, 70, 72, 73, 76, 78, 79	R.H. -	EM 7001850-A	1
52	59, 60, 70, 72, 73, 76, 78, 79	L.H. -	EM 7001851-A	1
<b>GROUP 01862 DAMPER ASSY. (VENTILATOR AIR VALVE)</b>				
49-51	70, 72, 73, 76, 79, J85		8A 7001862-B	2
51	60		8A 7001862-B	2
52	59, 60, 70, 72, 73, 76, 78, 79		8A 7001862-B	2
48-53	J85		8A 7001862-B	2
<b>GROUP 01878 CONNECTOR (VENTILATOR AIR DUCT)</b>				
49-51	70, 72, 73, 76, 79	Rubber	8A 7001878	2
51	60	Rubber	8A 7001878	2
48-52	J85	Metal	8J 8501878	1
48-52	J85	No.10-32 x 1/2" Binding head screw	39048-82	6
48-52	J85	No.10-Lockwasher	34803-87	6
52	59, 60, 70, 73, 76, 78, 79	Rubber	BA 7001878-C	2
<b>GROUP 01880 GASKET (VENTILATOR AIR VALVE)</b>				
49-51	70, 72, 73, 76, 79	Rubber	8A 7001880	2
51	60	Rubber	8A 7001880	2
52	59, 60, 70, 72, 73, 76, 78, 79	Rubber	BA 7001880-A	2
<b>GROUP 01890-1 CONTROL ASSY. (AIR)</b>				
49	Ford	R.H. - plastic knob-length 44 5/8"	8A 7001890-C	1
49	Ford	L.H. - plastic knob-length 23 3/4"	8A 7001891-C	1
49	Ford Custom	R.H. - chrome knob-length 44 5/8"	8A 7001890-D	1
49	Ford Custom	L.H. - chrome knob-length 23 3/4"	8A 7901891	1
48-50	J85	R.H.-Replaced by 1J 8501890-A	8J 8501890	1
48-50	J85	L.H.-Replaced by 1J 8501890-A	8J 8501891-B	1
51-52	J85	R.H.	1J 8501890-A	1
51-52	J85	L.H.	1J 8501891-A	1
51-52	J85	3/8" Lockwasher	34847-88	2
51-52	J85	3/8" - 24 Locknut	34445-87	2
50	70A, 72C, 73A	R.H.-Ivory plastic knob without insert-not used when heater is installed	0A 7001890-A	1
50	70A, 72C, 73A	L.H.-Ivory plastic knob without insert	0A 7001891-A	1
50	70B, 72B, 73B, 76, 79	R.H.-Ivory plastic knob with chrome insert-not used when heater is installed	0A 7001890-B	1
50	70B, 72B, 73B, 76, 79	L.H.-Ivory plastic knob with chrome insert	0A 7001891-B	1
50		R.H.-Black knob with chrome insert-not used when heater is installed	0A 7001890-D	1
50		L.H.-Black knob with chrome insert-Repl. by 1A 18548-D	0A 7001891-C	1
50		ert-not used when heater is	0A 7001890-E	1
50		ert	0A 7001891-D	1



# BUY IT NOW!

Click Here To Order





## BODY PARTS CATALOGUE

YEAR 19	BODY TYPES	REMARKS	PART NUMBER	NO. REQ'D
------------	------------	---------	-------------	--------------

### GROUP 01890-1 CONTROL ASSY. (AIR) —CONTINUED

50	79	R.H.-Ivory plastic knob without insert-not used when heater is installed	0A 7001890-A	1
50	79	L.H.-Ivory plastic knob without insert	0A 7001891-A	1
50	Pass, Station Wagon	R.H.-Cable for heater (accessory)	0A 7001890-C	1
51	60,70,72,73,76	R.H.-Round Black knob-not used when heater is installed	1A 7001890-A	1
51	60,70,72,73,76	L.H.-Round Black knob	1A 7001891-A	1
51	79	R.H.-Black knob with chrome insert-not used when heater is installed	0A 7001890-D	1
51	79	L.H.-Black knob with chrome insert	0A 7001891-C	1
49-51	Pass, Station Wagon	Crommet	352960-S	2
52	59,60,70,72,73,76,78,79	R.H. - Black knob - not used when heater is installed	FAA 7001890-A	1
52	59,60,70,72,73,76,78,79	L.H. - Black knob	FAA 7001891-A	1
52	59,60,70,72,73,76,78,79	Clip (wire)	358459-S8	2
52	59,60,70,72,73,76,78,79	Clip (wire)	358459-S8	4
52	59,60,70,72,73,76,78,79	No.10-12 x 1/2" Round head self-tapping screw	32924-S7	2

### GROUP 01892 KNOB (HEATER AIR CONTROL)

50-51	Pass, Station Wagon	Accessory	0A 7001892	1
-------	---------------------	-----------	------------	---

### GROUP 01900 SCREEN (VENTILATING AIR DUCT)—FRONT

51-52	Trucks	Accessory	11C 8101900-A	1
52	59,60,70,72,73,76,78,79		BA 7001900-B	2

### GROUP 01902-3 DUCT ASSY. (VENTILATOR AIR)

48-52	J85	R.H.	8J 8501902	1
48-52	J85	L.H.	8J 8501903	1
49-51	70,72,73,76,79	R.H.-rear	8A 7001902-B	1
49-51	70,72,73,76,79	L.H.-rear	8A 7001903-B	1
51	60	R.H.-rear	8A 7001902-B	1
51	60	L.H.-rear	8A 7001903-B	1
52	59,60,70,72,73,76,78,79		BA 7001902-B	2

### GROUP 01908-9 SCREEN (DUCT OPENING)

48-52	J85	R.H. - rear	8J 8501908	1
48-52	J85	No.10-32 x 1/2" Binding head screw	39048-S2	3
48-52	J85	No.10 Lockwasher	34803-S7	3
48-52	J85	No.10-32 Hex. nut	34079-S7	3
48-52	J85	R.H. & L.H.-Front	8J 8501909	2
48-52	J85	No.8 x 3/8" Binding head sheet metal screw	32916-S8	12
51	60,70,72,73,76,79	R.H.-Front - Replaced by 1A 7001909-cut to fit	1A 7001908	1
51	60,70,72,73,76,79	L.H.-Front	1A 7001909	1

### GROUP 01911 SCREEN (DUCT OPENING)—REAR

48-51	J85	L.H.	8J 8501911	1
-------	-----	------	------------	---

### GROUP 01912 DUCT ASSY. (VENTILATING AIR)—FRONT

			1C 8101912-A	1
			1C 8101912-A	1



# BUY IT NOW!

Click Here To Order



# Ford

## BODY PARTS CATALOGUE

YEAR	BODY TYPES	REMARKS	PART NUMBER	NO. REQ'D
------	------------	---------	-------------	-----------

**GROUP 01938 BRACKET (VENTILATOR AIR CONTROL)**

49	Pass.	Paint to match	8A 7001938-AP	1
49	79	Grey	8A 7901938	1
50	Pass.	Paint to match	0A 7001938-AP	1
51	Pass.	Replaced by 1A 3678 - Refer 1951 Ford Chassis Parts Catalogue		
50-51	Station Wagon		†0A 7901938	1

**GROUP 02010 PANEL ASSY. (COWL TOP)**

52	60		BF 6002010-B	1
52	59,70,72,73,78,79		EM 7002010-A	1
52	76		†BA 7602010-B	1

**GROUP 02015 PANEL (COWL TOP)—OUTER**

48-52	J85		8J 8502015	1
-------	-----	--	------------	---

**GROUP 02020-1 PANEL ASSY. (WHEELHOUSE)**

48-52	J85	R.H.	8J 8502020	1
48-52	J85	L.H.	8J 8502021	1

**GROUP 02026-7 SUPPORT (UPPER GRILLE PANEL HINGE)**

48-51	J85	R.H.	8J 8502026-B	1
51-52	J85	R.H.	1J 8502026	1
48-52	J85	L.H.	8J 8502027-B	1

**GROUP 02034-5 PANEL ASSY. (COWL SIDE AND FILLER)**

46-48	71	R.H.	†51A 7102034	1
46-48	71	L.H.	†51A 7102035	1
46-48	76	R.H.	†11A 7602034	1
46-48	76	L.H.	†11A 7602035	1

**GROUP 02038-9 PANEL AND PILLAR ASSY. (COWL SIDE)—INNER**

48-52	J85	R.H.	8J 8502038	1
48-52	J85	L.H.	†8J 8502039	1

**GROUP 02042-3 PANEL ASSY. (FRONT PILLAR AND COWL SIDE)**

49	79	R.H.—Replaced by 0A 7902042	8A 7902042-A	1
49	79	L.H.	8A 7902043-A	1
49-50	79	R.H.—Replaced by 1A 7902042	0A 7902042	1
49-50	79	L.H.—Replaced by 1A 7902043	0A 7902043	1
51	79	R.H.	1A 7902042	1
51	79	L.H.	1A 7902043	1
52	59,60,70,72,73,76,78,79	R.H.	BA 7002042-B	1
52	59,60,70,72,73,78,79	L.H.	BA 7002043-B	1
52	59,60,70,72,73,76,78,79 & Trucks	Plug-when courtesy lamp is not used	352291-S	2
52	59,60,70,72,73,76,78,79	Plug (hinge access)	352285-S	2

**GROUP 02042-3 PANEL ASSY. (COWL SIDE)—OUTER**


48-52			8J 8502042	1
48-52			8J 8502043	1



# BUY IT NOW!

Click Here To Order



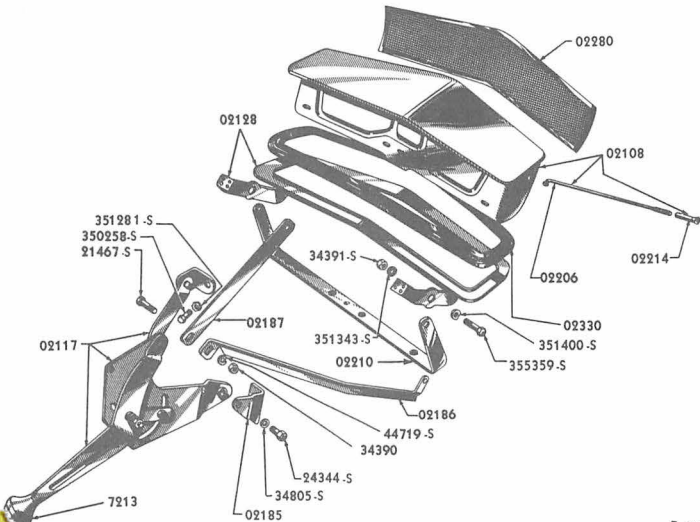






## BODY PARTS CATALOGUE

YEAR	BODY TYPES	REMARKS	PART NUMBER	NO. REQ'D
GROUP 02049 PANEL (WHEELHOUSE)—INNER				
48-52	J85	L.H.	2J 8502049-A	1
GROUP 02054-5 PANEL AND FLOOR BOARD RISER ASSY. (COWL SIDE)				
46-48	70, 72B, 73, 77, 78	R.H.	11A 7002054-B	1
46-48	70, 72B, 73, 77, 78	L.H.	11A 7002055-B	1
GROUP 02058-9 SUPPORT (WHEELHOUSE PANEL TO COWL SIDE SEAL)				
48-52	J85	R.H.	8J 8502058	1
48-52	J85	L.H.	8J 8502059	1
GROUP 02090-1 REINFORCEMENT (COWL SIDE PANEL UPPER HINGE)				
46-48	70, 71, 72B, 73, 76, 77, 78, 79B	R.H.	† 11A 7002090	1
46-48	70, 71, 72B, 73, 76, 77, 78, 79B	L.H.	11A 7002091	1
GROUP 02104 VENTILATOR ASSY. (COWL)				
48-52	Trucks		7C 8102104	1
48-52	Trucks	No.8-32 x 1/2" Flat head screw-pointed	35999-87	8
GROUP 02104-5 COVER ASSY. (COWL SIDE VENTILATOR)				
44-47	W81	R.H.-complete	†11W 8102104	1
44-47	W81	L.H.-complete	†11W 8102105	1



P-653

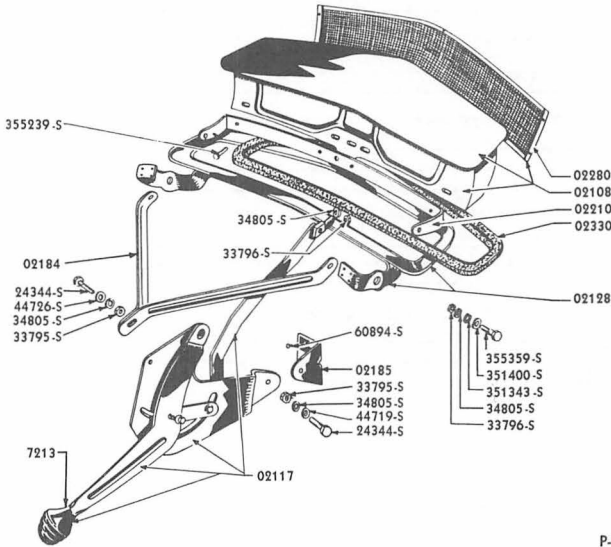
## VENTILATOR PARTS

Refer to group for complete Part Number.


**BUY IT NOW!**
**Click Here To Order**




BODY PARTS CATALOGUE



1947-48 COWL VENTILATOR PARTS

Group numbers only shown on illustration. Refer to group for complete Part Number.

YEAR 19	BODY TYPES	REMARKS	PART NUMBER	NO. REQ'D
<b>GROUP 02108 COVER AND DEFLECTOR ASSY. (COWL VENTILATOR)</b>				
46	70, 71, 72B, 73, 76, 77, 78, 79B	Without screen-Replaced by 21A-7002108-B	51A 7002108	1
46-48	70, 71, 72B, 73, 76, 77, 78, 79B	With screen	† 21A 7002108-B	1
<b>GROUP 02113 BUMPER (COWL SIDE PANEL TO HOOD)</b>				
44-52	Trucks	(Illustrated with Group 2610)	7C 8102113	2or4
46-48	70, 71, 72B, 73, 76, 77, 78, 79B		7C 8102113	2
49-51	76	Quarter window to quarter pillar	7C 8102113	2
51	60	Quarter window to quarter pillar	7C 8102113	2
<b>GROUP 02117 PLATE AND ARM ASSY. (COWL VENTILATOR PIVOT)</b>				
46-47	70, 71, 72B, 73, 76, 77, 78, 79B	Includes knob-offset pivot arm-Replaced by 51A 7002117-A	51A 7002117-C	1
46-48	70, 71, 72B, 73, 76, 77, 78, 79B	Includes knob-has straight pivot arm with stud	51A 7002117-A	1
46-48	70, 71, 72B, 73, 76, 77, 78, 79B	1/4"-20 x 3/4" Hex.head bolt	24344-82	1
46-48	70, 71, 72B, 73, 76, 77, 78, 79B	1/4"-20 x 1 1/8" Hex.head bolt	† 20404-87	1
46-48	70, 71, 72B, 73, 76, 77, 78, 79B	1/4"-20 x 1 3/8" Hex.head bolt	21467-87	1
46-48	70, 71, 72B, 73, 76, 77, 78, 79B	1/4"-20 Standard light thick lock nut	34390-87	1
46-48	70, 71, 72B, 73, 76, 77, 78, 79B	1/4" Flat washer	44719-88	1
46-4	70, 71, 72B, 73, 76, 77, 78, 79B	1/4" Lockwasher	34805-88	1

44-4			01C 8102120	1
------	--	--	-------------	---



**BUY IT NOW!**

**Click Here To Order** 









## BODY PARTS CATALOGUE

YEAR	BODY TYPES	REMARKS	PART NUMBER	NO. REQ'D
<b>GROUP 02128 REINFORCEMENT AND HINGE ASSY. (COWL VENTILATOR OPENING FLANGE)</b>				
46-48	70,71,72B,73,76,77,78,79B		† 21A 7002128-A	1
<b>GROUP 02133 PANEL ASSY. (COWL VENTILATOR COVER)</b>				
48-52	Trucks		7C 8102133-A	1
48-52	Trucks	No. 10-32 x 3/8" Hex. head bolt	350136-S7	4
48-52	Trucks	No. 10 Lockwasher	34903-S7	4
<b>GROUP 02133 COVER AND DEFLECTOR ASSY. (COWL VENTILATOR)</b>				
44-47	081,761,082,782		† 91A 7002133-B	1
<b>GROUP 02145 KNOB (COWL VENTILATOR LEVER)</b>				
44-47	081,761,082,782		† 11A 7002145	1
48-51	Trucks		7C 8102145-B	1
<b>GROUP 02154-5 PANEL AND PILLAR ASSY. (COWL SIDE)</b>				
49	70,72,73	R.H.	8A 7002154	1
49	70,72,73	L.H.	8A 7002155	1
50	70,72,73	R.H.-Hole for courtesy lamp switch in pillar-Replaced by 1A 7002154	0A 7002154	1
50	70,72,73	L.H.-Hole for courtesy lamp switch in pillar-Replaced by 1A 7002155	0A 7002155	1
51	70,72,73	R.H. - Hole for courtesy lamp switch in pillar	1A 7002154	1
51	70,72,73	L.H. - Hole for courtesy lamp switch in pillar-Replaced by 8A 7002155	1A 7002155	1
50-52	70A,72C,73A	Plug-when courtesy lamp is not used	352291-S	2
50-51	60,70B,72B,73B,76	Switch assy-courtesy or dome lamp	0A 13713	2
52	59,60,70,72,73,78,79	Refer to Group 02042-3		
<b>GROUP 02184 BRACE ASSY. (COWL VENTILATOR PIVOT PLATE)</b>				
47-48	70,71,72B,73,76,77,78,79B		† 21A 7002184	1
<b>GROUP 02185 BRACKET (COWL VENTILATOR LEVER PIVOT PLATE TO DASH)</b>				
46-48	70,71,72B,73,76,77,78,79B		† 21A 7002185	1
46	70,71,72B,73,76,77,78,79B	Replaced by 21A 7002185	51A 7002185	1
46-48	70,71,72B,73,76,77,78,79B	3/16" x 5/16" oval head rivet	60894-S	2
<b>GROUP 02186-7 BRACE (COWL VENTILATOR PIVOT PLATE)</b>				
46	70,71,72B,73,76,77,78,79B	R.H.	† 51A 7002186	1
46	70,71,72B,73,76,77,78,79B	L.H.-7.70" long	† 51A 7002187	1
46	70,71,72B,73,76,77,78,79B	1/4"-20 x 1 1/8" Hex.head bolt	420404-S7	1
46	70,71,72B,73,76,77,78,79B	1/4"-20 Standard light thick lock nut	34390-S7	1
46	70,71,72B,73,76,77,78,79B	1/4"-28 Hex.lock nut	34391-S7	2
46	70,71,72B,73,76,77,78,79B	.40" I.D. x .79" O.D. Special spring washer	† 351400-S7	2
46	70,71,72B,73,76,77,78,79B	1/4" -28 x 1" Special hex. head bolt	335539-S7	2
			† 51A 7002206	1

**BUY IT NOW!****Click Here To Order**



## BODY PARTS CATALOGUE

YEAR 19	BODY TYPES	REMARKS	PART NUMBER	NO. REQ'D
---------	------------	---------	-------------	-----------

**GROUP 02210 HINGE (COWL VENTILATOR LEVER SUPPORT)**

44-48	70, 71, 72B, 73, 76, 77, 78, 79B		† 21A 7002210	1
44-48	70, 71, 72B, 73, 76, 77, 78, 79B	No. 12-24 x 7/16" Special hex.head bolt	350258-82	4
44-48	70, 71, 72B, 73, 76, 77, 78, 79B	No. 12 - 24 x .44" Special hex.head bolt	† 355239-82	4
44-48	70, 71, 72B, 73, 76, 77, 78, 79B	No.12 Special internal & external tooth lockwasher	351281-A-82	4
44-48	70, 71, 72B, 73, 76, 77, 78, 79B	1/4"-28 x 1" Special hex.head bolt	† 355359-87	2
44-48	70, 71, 72B, 73, 76, 77, 78, 79B	.40" I. D. x .79" O. D. Special spring washer	† 351400-87	2
44-48	70, 71, 72B, 73, 76, 77, 78, 79B	.25" I. D. x .75" O. D. Special serrated washer	351343-87	2
44-48	70, 71, 72B, 73, 76, 77, 78, 79B	1/4"-28 Hex.lock nut	34391-87	2

**GROUP 02214 NUT (COWL VENTILATOR COVER ADJUSTER)**

46	70, 71, 72B, 73, 76, 77, 78, 79B		† 51A 7002214-A	1
----	----------------------------------	--	-----------------	---

**GROUP 02280 SCREEN ASSY. (COWL VENTILATOR)**

44-47	081, 781, 082, Y82		91A 7002280	1
44-47	081, 781, 082, Y82	No.10-32 x 3/8" Round head screw	27068-88	3
44-47	081, 781, 082, Y82	No.10 Internal tooth lockwasher	34903-88	
46-48	70, 71, 72B, 73, 76, 77, 78, 79B		21A 7002280	1
46-48	70, 71, 72B, 73, 76, 77, 78, 79B	No.8 x 3/8" Binding head sheet metal screw	32916-88	4

**GROUP 02328-9 MOULDING (COWL OUTSIDE PANEL)**

47-48	70, 71, 72B, 73, 76, 77, 78, 79B	R.H.-plain	6A 7002328-B	1
47-48	70, 71, 72B, 73, 76, 77, 78, 79B	L.H.-plain	6A 7002329-B	1
46-47	70, 71, 72B, 73, 76, 77, 78, 79B	R.H.-beaded	21A 7002328-A	1
46-47	70, 71, 72B, 73, 76, 77, 78, 79B	L.H.-beaded	21A 7002329-A	1
46-48	70, 71, 72B, 73, 76, 77, 78, 79B	Retainer assy. (cowl side moulding to cowl)-front	358200-87	1
46-48	70, 71, 72B, 73, 76, 77, 78, 79B	No.10 Flat washer	44716-88	2
46-48	70, 71, 72B, 73, 76, 77, 78, 79B	No.10 Lockwasher	34803-87	2
46-48	70, 71, 72B, 73, 76, 77, 78, 79B	No.10-24 Hex. nut	34053-88	2

**GROUP 02330 WEATHERSTRIP (COWL VENTILATOR)**

46-48	70, 71, 72B, 73, 76, 77, 78, 79B		51A 7002330-A	1
44-48	081, 781, 082, Y82		51A 7002330-A	1
48-52	Trucks		7C 8102330-A	1

**GROUP 02340-1 CARDBOARD ASSY (COWL TRIM PANEL)**

48-50	081, 781, 082A	R.H.-L.H.D. - Replaced by 8C 8102340	7C 8102340	1
48-50	081, 781, 082A	L.H.-L.H.D. - Replaced by 8C 8102341	7C 8102341	1
50	081, 781, 082A	R.H.	† 8C 8102340	1
50	081, 781, 082A	L.H.	† 8C 8102341	1
51	081, 781, 082	R.H.	1C 8102340	1
51	081, 781, 082	L.H.	1C 8102341	1
52	081, 081, 781, 082	R.H.	1C 8102340	1
52	081, 081, 781, 082	L.H.	1C 8102341	1
48-50	W81	R.H.-L.H.D. - Replaced by 8W 8102340	7W 8102340	1
48-50	W81	L.H.-L.H.D. - Replaced by 8W 8102341	7W 8102341	1
50	W81	R.H.	† 8W 8102340	1
50	W81	L.H.	† 8W 8102341	1
51		R.H.	† 1W 8102340	1
51		L.H.	1W 8102341	1
			353129-815	14
		Weather Trim with pad	† BA 5902340-AS	1
		Weather Trim with pad	† BA 5902341-AS	1



# BUY IT NOW!

Click Here To Order





BODY PARTS CATALOGUE

YEAR 19	BODY TYPES	REMARKS	PART NUMBER	NO. REQ'D
GROUP 02340-1 CARDBOARD ASSY (COWL TRIM PANEL) -CONTINUED				
52	70A, 72C, 73A	R.H.-Used with M-1H11-B Mohair Trim with pad	BA 7002340-AA	1
52	70A, 72C, 73A	L.H.-Used with M-1H11-B Mohair Trim with pad	BA 7002341-AA	1
52	70A, 72C, 73A	R.H.-Used with M-1H1-A Broadcloth Trim with pad	BA 7002340-AB	1
52	70A, 72C, 73A	L.H.-Used with M-1H1-A Broadcloth Trim with pad	BA 7002341-AB	1
52	70B, 72B, 73B	R.H.-Used with M-1H1-B Broadcloth Trim with pad	BA 7002340-AC	1
52	70B, 72B, 73B	L.H.-Used with M-1H1-B Broadcloth Trim with pad	BA 7002341-AC	1
52	70B, 72B, 73B	R.H.-Used with M-1H1-D Broadcloth Trim with pad	BA 7002340-AE	1
52	70B, 72B, 73B	L.H.-Used with M-1H1-D Broadcloth Trim with pad	BA 7002341-AE	1
52	70B, 72B, 73B	R.H.-Used with M-1H1-E Brown Stripe Broadcloth Trim with pad	BA 7002340-AF	1
52	70B, 72B, 73B	L.H.-Used with M-1H1-E Brown Stripe Broadcloth Trim with pad	BA 7002341-AF	1
52	79	R.H.-Used with Mahogany Vinyl and Milan Straw Trim with pad	† BA 5902340-AS	1
52	79	L.H.-Used with Mahogany Vinyl and Milan Straw Trim with pad	† BA 5902341-AS	1

GROUP 02344-5 CARDBOARD (COWL TRIM)

44-48	DeLuxe Pass.	R.H.-Color two tone Taupe	11A 7002344-A	1
44-48	DeLuxe Pass.	L.H.-Color two tone Taupe	† 11A 7002345-A	1
44-48	78	R.H.	11A 7002344-C	1
44-48	78	L.H.	11A 7002345-C	1
44-48	71	R.H.-use with Red leather	† 21A 7002344-B	1
44-48	71	L.H.-use with Red leather	† 21A 7002345-B	1
46-48	Super DeLuxe Pass.	R.H.-Color two tone Grey -Replaced by 51A 7002345	51A 7002344	1
46-48	Super DeLuxe Pass.	L.H.-Color two tone Grey	51A 7002345	1
46-48	71, 73B	R.H.-use with Tan leather	† 59A 7002344-B	1
46-48	71, 73B	L.H.-use with Tan leather	59A 7002345-B	1
44-47	C81, T81, C82, Y82	R.H.-L.H.D.	† 01C 8102344	1
44-47	C81, T81, C82, Y82	L.H.-L.H.D.	01C 8102345-A	1
44-47	C81, T81, C82, Y82	Trim retainer	353129-S15	10
49	70A, 72A, 72C, 73A	R.H.-Green Grey	8A 7002344-A	1
49	70A, 72A, 72C, 73A	L.H.-Green Grey	† 8A 7002345-A	1
49	70B, 72B, 73B	R.H.-Grey Antique Grain	8A 7002344-B	1
49	70B, 72B, 73B	L.H.-Grey Antique Grain	8A 7002345-B	1
49	76	R.H.-use with Red leather trim	8A 7002344-C	1
49	76	L.H.-use with Red leather trim	† 8A 7002345-C	1
49	76	R.H.-use with Tan leather trim -Replaced by 0A 7002344-A	8A 7002344-D	1
49	76	L.H.-use with Tan leather trim -Replaced by 0A 7002345-A	8A 7002345-D	1
49	76	R.H.-use with Green leather trim	† 8A 7002344-E	1
49	76	L.H.-use with Green leather trim	† 8A 7002345-E	1
49-50	79	R.H.-use with Tan leather trim	† 8A 7902344	1
49-50	79	L.H.-use with Tan leather trim	† 8A 7902345	1
50	70, 72, 73	R.H.-Tan - (Broadcloth trim)	† 0A 7002344-A	1
50	70, 72, 73	L.H.-Tan - (Broadcloth trim)	0A 7002345-A	1
50	70A, 72C, 73A	R.H.-Grey - (Mohair trim)	0A 7002344-B	1
50	70A, 72C, 73A	L.H.-Grey - (Mohair trim)	0A 7002345-B	1
50	70B, 72B, 73B	R.H.-Grey - (Mohair & Broadcloth trim)	0A 7002344-B	1
50	70B, 72B, 73B	L.H.-Grey - (Mohair & Broadcloth trim)	0A 7002345-B	1
50	76	R.H.-Black-use with Red & Black leather trim	0A 7602344-A	1
50	76	L.H.-Black-use with Red & Black leather trim	0A 7602345-A	1
50	76	R.H.-Brown-use with two tone Tan leather trim	0A 7602344-B	1
50	76	L.H.-Brown-use with two tone Tan leather trim	† 0A 7602345-B	1
50	76	R.H.-use with Golden Tan vinyl leather trim	† 0A 7902344-B	1
50	76	L.H.-use with Golden Tan vinyl leather trim	† 0A 7902345-B	1
51		R.H.-Light Grey (Mohair & Broadcloth trim)	† 1A 7002344-A	1
51		(trim)	† 1A 7002345-A	1
51		(trim)	† 1A 7002344-B	1
51		(trim)	† 1A 7002345-B	1



**BUY IT NOW!**

**Click Here To Order**




**BODY PARTS CATALOGUE**

YEAR 19	BODY TYPES	REMARKS	PART NUMBER	NO. REQ'D
GROUP 02344-5 CARDBOARD (COWL TRIM)-CONTINUED				
51	70B, 72B, 73B	R.H.-Dark Gray (M-16104-A Broadcloth trim)	† 1A 7002344-C	1
51	70B, 72B, 73B	L.H.-Dark Gray (M-16104-A Broadcloth trim)	† 1A 7002345-C	1
51	70B, 72B, 73B	R.H.-Dark Green (M-16104-B Broadcloth trim)	† 1A 7002344-D	1
51	70B, 72B, 73B	L.H.-Dark Green (M-16104-B Broadcloth trim)	† 1A 7002345-D	1
51	70B, 72B, 73B	R.H.-Blue (Blue and Ivory Leather trim)	† 1A 7002344-E	1
51	70B, 72B, 73B	L.H.-Blue (Blue and Ivory Leather trim)	† 1A 7002345-E	1
51	70B, 72B, 73B	R.H.-Brown (Brown and Ivory Leather Trim)	1A 7602344-B	1
51	70B, 72B, 73B	L.H.-Brown (Brown and Ivory Leather Trim)	1A 7002345-F	1
51	76	R.H.-Black	1A 7602344-A	1
51	76	L.H.-Black	† 1A 7602345-A	1
51	76	R.H.-Brown	† 1A 7602344-C	1
51	76	L.H.-Brown	† 1A 7602345-C	1
51	79	R.H.-Dark Tan	† 1A 7902344-B	1
51	79	L.H.-Dark Tan	1A 7902345-B	1
52	59	R.H. - Use with Golden Tan Vinyl Leather Trim -Two Tone Brown Cardboard-without pad	† BA 5902344-BB	1
52	59	L.H. - Use with Golden Tan Vinyl Leather Trim-Two Tone Brown Cardboard-without pad	† BA 5902345-BB	1
52	60B	R.H. - Use with M-1H12-B - Bedford Cord Trim-Green Wolfgrain Cardboard-without pad	BA 6002344-BM	1
52	60B	L.H. - Use with M-1H12-B - Bedford Cord Trim-Green Wolfgrain Cardboard-without pad	BA 6002345-BM	1
52	60B	R.H.-Use with M-1H12-A - Bedford Cord Trim-Mahogany Wolfgrain Cardboard-without pad	BA 6002344-BN	1
52	60B	L.H.-Use with M-1H12-A - Bedford Cord Trim-Mahogany Wolfgrain Cardboard-without pad	BA 6002345-BN	1
52	60B	R.H. - Use with M-1H12-C - Bedford Cord Trim-Dark Blue Wolfgrain Cardboard-without pad	BA 6002344-BE	1
52	60B	L.H. - Use with M-1H12-C - Bedford Cord Trim-Dark Blue Wolfgrain Cardboard-without pad	BA 6002345-BE	1
52	70A, 72C, 73A	R.H. - Use with M-1H11-B - Mohair Trim-Gray Wolfgrain Cardboard- without pad	† BA 7002344-BA	1
52	70A, 72C, 73A	L.H. - Use with M-1H11-B - Mohair Trim-Gray Wolfgrain Cardboard- without pad	† BA 7002345-BA	1
52	70A, 72C, 73A	R.H. - Use with M-1H1-A - Broadcloth Trim-Dark Gray Wolfgrain Cardboard-without pad	† BA 7002344-BB	1
52	70A, 72C, 73A	L.H. - Use with M-1H1-A - Broadcloth Trim-Dark Gray Wolfgrain Cardboard-without pad	† BA 7002345-BB	1
52	70B, 72B, 73B	R.H. - Use with M-1H1-B - Broadcloth Trim-Light Gray Fibergrain Cardboard-without pad	† BA 7002344-BC	1
52	70B, 72B, 73B	L.H. - Use with M-1H1-B - Broadcloth Trim-Light Gray Fibergrain Cardboard-without pad	† BA 7002345-BC	1
52	70B, 72B, 73B	R.H. - Use with M-1H1-D - Broadcloth Trim-Dark Green Cardboard- without pad	BA 7002344-BE	1
52	70B, 72B, 73B	L.H. - Use with M-1H1-D - Broadcloth Trim-Dark Green Cardboard- without pad	BA 7002345-BE	1
52	70B, 72B, 73B	R.H. - Use with M-1H13-A - Bedford Cord Trim-Dark Tan Cardboard- without pad	BA 7002344-BF	1
52	70B, 72B, 73B	L.H. - Use with M-1H13-A - Bedford Cord Trim-Dark Tan Cardboard- without pad	BA 7002345-BF	1
52	70B, 72B, 73B	R.H. - Use with M-1H1-H Brown Stripe Nailhead Broadcloth Trim- Dark Tan Cardboard-without pad	BA 7002344-BF	1
52	70B, 72B, 73B	L.H. - Use with M-1H1-H Brown Stripe Nailhead Broadcloth Trim- Dark Tan Cardboard-without pad	BA 7002345-BF	1
52		yl Leather Trim-Mahogany	BA 6002344-BN	1
52		yl Leather Trim-Mahogany	BA 6002345-BN	1


**BUY IT NOW!**
**Click Here To Order**




**BODY PARTS CATALOGUE**

YEAR 19	BODY TYPES	REMARKS	PART NUMBER	NO. REQ'D
GROUP 02344-5 CARDBOARD (COWL TRIM) -CONTINUED				
52	70,72,73	R.H. - Use with Blue & Ivory Vinyl Leather Trim-Dark Blue Wolfgrein Cardboard-without pad	BA 6002344-BR	1
52	70,72,73	L.H. - Use with Blue & Ivory Vinyl Leather Trim-Dark Blue Wolfgrein Cardboard-without pad	BA 6002345-BR	1
52	76	R.H. - Use with Red & Black Vinyl Leather Trim-Black Wolfgrein Cardboard-without pad	BA 7602344-BG	1
52	76	L.H. - Use with Red & Black Vinyl Leather Trim-Black Wolfgrein Cardboard-without pad	BA 7602345-BG	1
52	76	R.H. - Use with Mahogany Vinyl & Tan Leather Trim-Mahogany Wolfgrein Cardboard-without pad	BA 6002344-BH	1
52	76	L.H. - Use with Mahogany Vinyl & Tan Leather Trim-Mahogany Wolfgrein Cardboard-without pad	BA 7602345-BH	1
52	76	R.H. - Use with Mahogany Vinyl & Ivory Leather Trim-Mahogany Wolfgrein Cardboard-without pad	BA 6002344-BI	1
52	76	L.H. - Use with Mahogany Vinyl & Ivory Leather Trim-Mahogany Wolfgrein Cardboard-without pad	BA 7602345-BI	1
52	76	R.H. - Use with Green Vinyl & Ivory Leather Trim-Green Wolfgrein Cardboard-without pad	BA 6002344-BJ	1
52	76	L.H. - Use with Green Vinyl & Ivory Leather Trim-Green Wolfgrein Cardboard-without pad	BA 7602345-BJ	1
52	76	R.H. - Use with Dark Blue Vinyl & Light Blue Leather Trim-Dark Blue Wolfgrein Cardboard-without pad	BA 6002344-BK	1
52	76	L.H. - Use with Dark Blue Vinyl & Light Blue Leather Trim-Dark Blue Wolfgrein Cardboard-without pad	BA 7602345-BK	1
52	78	R.H. - Use with Brown & Grey Vinyl Leather Trim-Two Tone Grey Cardboard-without pad	BA 7802344-BX	1
52	78	L.H. - Use with Brown & Grey Vinyl Leather Trim-Two Tone Grey Cardboard-without pad	BA 7802345-BX	1
52	78	R.H. - Use with Brown & Grey Vinyl Leather Trim-Mahogany Wolfgrein Cardboard-without pad	BA 6002344-BY	1
52	78	L.H. - Use with Brown & Grey Vinyl Leather Trim-Mahogany Wolfgrein Cardboard-without pad	BA 6002345-BY	1
52	79	R.H. - Use with Mahogany Vinyl & Milan Straw Leather Trim-Two Tone Brown Cardboard-without pad	† BA 5902344-BZ	1
52	79	L.H. - Use with Mahogany Vinyl & Milan Straw Leather Trim-Two Tone Brown Cardboard-without pad	† BA 5902345-BZ	1
48-52	Truck	Refer to Group 02340-1		

GROUP 02348-9 PANEL ASSY. (COWL TRIM) -SIDE

51	60	R.H.-Used with M-5035-AC-Green Bedford Cord Trim	1A 6002348-AAA	1
51	60	L.H.-Used with M-5035-AC-Green Bedford Cord Trim	1A 6002349-AAA	1
51	60	R.H.-Used with M-5035-AA-Tan Bedford Cord Trim	1A 6002348-AAB	1
51	60	L.H.-Used with M-5035-AA-Tan Bedford Cord Trim	1A 6002349-AAB	1
51	60	R.H.-Used with M-5035-AB-Grey Bedford Cord Trim	1A 6002348-AAC	1
51	60	L.H.-Used with M-5035-AB-Grey Bedford Cord Trim	1A 6002349-AAC	1
50	70C	R.H.-Used with Black Leather Combination Trim	† 0A 7002348-AU	1
50	70C	L.H.-Used with Black Leather Combination Trim	† 0A 7002349-AU	1
50	70C	R.H.-Used with Two Tone Tan Leather Combination Trim	† 0A 7002348-AX	1
50	70C	L.H.-Used with Two Tone Tan Leather Combination Trim	† 0A 7002349-AX	1
		R.H.-Chartreuse or Blue-Green Cord and Black Leather Trim	† 1A 7002348-AY	1
		L.H.-Chartreuse or Blue-Green Cord and Black Leather Trim	† 1A 7002349-AY	1
			† 1A 7002348-AY	1
			† 1A 7002349-AY	1



**BUY IT NOW!**

**Click Here To Order**





## BODY PARTS CATALOGUE

YEAR 19	BODY TYPES	REMARKS	PART NUMBER	NO. REQ'D
GROUP 02354-5 RETAINER, (COWL CARDBOARD)				
46-48	78	R.H.-Replaced by 6A-7002354-AP	11A 7002354-B	1
46-48	78	L.H.-Replaced by 6A-7002355-AP	11A 7002355-B	1
46-47	Super DeLuxe	R.H.-Light Tan Finish-leather trim-Replaced by 6A-7002354-AP	51A 7002354-A	1
46-47	Super DeLuxe	L.H.-Light Tan Finish-leather trim-Replaced by 6A-7002355-AP	51A 7002355-A	1
46-47	Super DeLuxe Pass.	R.H.-Gum Metal Blue Metallic Finish-cloth trim-Replaced by 6A-7002354-AP	51A 7002354-B	1
46-47	Super DeLuxe Pass.	L.H.-Gum Metal Blue Metallic Finish-cloth trim-Replaced by 6A-7002355-AP	51A 7002355-B	1
47-48	Pass.	R.H.-Paint to match	6A 7002354-AP	1
47-48	Pass.	L.H.-Paint to match	6A 7002355-AP	1
46-48	70,71,72B,73,76,77,78,79B	No.8 x 3/8" Binding head sheet metal screw	32916-92	12
49-50	70,72,73,76	Paint to match-crown .94"-23.52" long	8A 7002354-CP	2
49-50	79	R.H.-Paint to match-crown .44"-23.52" long	† 8A 7902354-AP	1
49-50	79	L.H.-Paint to match-crown .44"-23.52" long	† 8A 7902355-AP	1
51	60,70,72,73,76	Paint to match-crown .7"-22.56" long	1A 6002354-AP	2
51	79	R.H.-Paint to match crown .38"-22.82" long	† 1A 7902354-AP	1
51	79	L.H.-Paint to match crown .38"-22.82" long	† 1A 7902355-AP	1
49-51	70,72,73,76,79	No.8 x 3/8" Binding head sheet metal screw	32916-B8	8
52	59,60,70,72,73,76,78,79	R.H.-Paint to match	BA 7002354-AP	1
52	59,60,70,72,73,76,78,79	L.H.-Paint to match	BA 7002355-AP	1

### GROUP 02356-7 REINFORCEMENT (COWL SIDE PANEL OUTER AT WHEELHOUSE OPENING)

48-52	J85	R.H.	8J 8502356	1
48-52	J85	L.H.	8J 8502357	1

### GROUP 02362 CARDBOARD (COWL SIDE AND ROOF WATER DEFLECTOR)

46-48	70,72B,73,77,78,79B		† 51A 7002362	2
-------	---------------------	--	---------------	---

### GROUP 02368-9 MOULDING ASSY. (COWL TRIM)—UPPER

50	70C		0A 7002368-A	2
51	70C	R.H.	1A 7002368	1
51	70C	L.H.	1A 7002369	1

### GROUP 02372 MOULDING ASSY. (COWL TRIM)—LOWER

50	70C		0A 7002372-A	2
51	60		1A 6002372	2

### GROUP 02374 ORNAMENT (COWL VENTILATOR COVER)

44-47	W81		† 21W 8102374-A	2
44-47	W81	No.8-32 x 3/16" Binding head bolt	† 38178-87	4
44-47	W81	No.8 Lockwasher	34802-87	4

### GROUP 02394 INSULATOR (ENGINE COVER SIDE PANEL SPARK PLUG)

44-47	W81	Rear left	† 01W 8102394	1
-------	-----	-----------	---------------	---

### GROUP 02397 PANEL (SIDE WINDOW HEADER)—OUTER

46-47	W81		8J 8502456	1
46-47	W81		8J 8502457	1



# BUY IT NOW!

Click Here To Order





## BODY PARTS CATALOGUE

YEAR	BODY TYPES	REMARKS	PART NUMBER	NO. REQ'D
------	------------	---------	-------------	-----------

## GROUP 02488-9 PANEL (SIDE WINDOW HEADER)—INNER

48-52	J85	R.H.	BJ 8502458	1
48-52	J85	L.H.	BJ 8502459	1

## GROUP 02466 PANEL ASSY. (WHEELHOUSE)—INNER

48-51	J85	R.H.—Replaced by 2J 8502466-A	BJ 8502466-B	1
52	J85	R.H.	2J 8502466-A	1

## GROUP 02483-3 PANEL (DASH SUPPORT TO COWL SIDE SEAL)

48-52	J85	R.H.	BJ 8502482-B	1
48-52	J85	L.H.	BJ 8502483-B	1

## GROUP 02484 SEAL (DASH SUPPORT TO COWL SIDE)

48-52	J85	31 3/4" long - rubber	BJ 8502484	2
48-51	J85	Wheelhouse panel to cowl side-L.H.—cut to length 14.63"	BJ 8502484	As Req'd.

## GROUP 02486 EXTENSION (WHEELHOUSE INNER PANEL TO FRONT BODY SUPPORT PANEL)

48-52	J85	R.H.	† BJ 8502486	1
-------	-----	------	--------------	---

## GROUP 02488 FILLER ASSY. (WHEELHOUSE)—INNER

48-52	J85	R.H.	BJ 8502488	1
-------	-----	------	------------	---

## GROUP 02506 PANEL (BODY PILLAR)—OUTER

48-52	J85		BJ 8502506	2
-------	-----	--	------------	---

## GROUP 02512-3 MOULDING (DRIP)—FRONT BODY PILLAR

51	60	R.H.—21.30" long	1A 6002512-A	1
51	60	L.H.—21.30" long	1A 6002513-A	1
50	76	R.H.—21.62" long	0A 7602512	1
50	76	L.H.—21.62" long	0A 7602513	1
51	76	R.H.—20.87" long	1A 7602512	1
51	76	L.H.—20.87" long	1A 7602513	1
50-51	76	No. 6 Drive nail	351629-828	4

## GROUP 02516-7 PILLAR (FRONT BODY)—UPPER OUTER

52	59,70,72,73,78,79	R.H.	BA 7002516-C	1
52	59,70,72,73,78,79	L.H.	BA 7002517-C	1

## GROUP 02522-3 PILLAR ASSY. (FRONT BODY)—UPPER INNER

52	60	R.H.	BA 6002522-A	1
52		L.H.	BA 6002523-A	1
	3,78,79	R.H.	BA 7002522-C	1
			BA 7002523-C	1
			BA 7602522-A	1
			BA 7602523-A	1

**BUY IT NOW!****Click Here To Order**



## BODY PARTS CATALOGUE

YEAR 19	BODY TYPES	REMARKS	PART NUMBER	NO. REQ'D
GROUP 02536-7 PILLAR ASSY. (FRONT BODY)—UPPER OUTER				
52	60	R.H.	EM 6002536-B	1
52	60	L.H.	EM 6002537-B	1
52	76	R.H.	† BA 7602536-B	1
52	76	L.H.	BA 7602537-B	1
GROUP 02548 GROMMET (BODY HINGE PILLAR)				
46-48	71	Hydraulic tubing	† 51A 7102548	2
GROUP 02564-5 RETAINER (FRONT BODY PILLAR WEATHERSTRIP)—UPPER				
49-51	76	R.H.	BA 7602564	1
49-51	76	L.H.	BA 7602565	1
49-51	76	No. 8 x 1/2" Cross recess binding head self-tapping screw	52726-813	8
51	60	R.H.	BA 7602564	1
51	60	L.H.	BA 7602565	1
51	60	No. 8 x 1/2" Cross recess binding head self-tapping screw	52726-813	8
GROUP 02594-5 RETAINER (FRONT BODY PILLAR UPPER WEATHERSTRIP)				
46-48	71, 76	R.H.	† 11A 7602594	1
46-48	71, 76	L.H.	† 11A 7602595	1
46-48	71, 76	No. 8 x 3/8" Binding head self tapping screw	† 3176-S2	8
52	60		BA 6002594-A	2
52	60	No. 6 x 3/4" Cross recess oval head self-tapping screw	52358-S23	10
GROUP 02600-1 WINDLACE ASSY. (FRONT BODY PILLAR AND DOOR OPENING HEADER)				
46-47	70, 72B	R.H.—Brown Trim	† 21A 7002600-A	1
46-47	70, 72B	L.H.—Brown Trim-Replaced by 6A-7002601-A	21A 7002601-A	1
46-47	70B, 72B	R.H.—Blue Trim	† 51A 7002600-A	1
46-47	70B, 72B	L.H.—Blue Trim	† 51A 7002601-A	1
46-47	73A, 77A	R.H.—Broadcloth or Mohair Trim	21A 7302600-A	1
46-47	73A, 77A	L.H.—Broadcloth or Mohair Trim	21A 7302601-A	1
46-47	73B, 77B	R.H.—for Grey Blue Trim	† 51A 7302600-A	1
46-47	73B, 77B	L.H.—for Grey Blue Trim	† 51A 7302601-A	1
46-47	73B, 77B	R.H.—for Brown Trim	† 51A 7302600-X	1
46-47	73B, 77B	L.H.—for Brown Trim	† 51A 7302601-X	1
46-48	78	R.H.—Tan Artificial Leather	† 21A 7802600-A	1
46-48	78	L.H.—Tan Artificial Leather	† 21A 7802601-A	1
47-48	70A	R.H.—Mohair Trim	† 21A 7002600-A	1
47-48	70A	L.H.—Mohair Trim	21A 7002601-A	1
47-48	70A	R.H.—Broadcloth Trim	† 6A 7002600-A	1
47-48	70A	L.H.—Broadcloth Trim	† 6A 7002601-A	1
47-48	73A, 77A	R.H.—Mohair Trim	21A 7302600-A	1
47-48	73A, 77A	L.H.—Mohair Trim	21A 7302601-A	1
47-48	73A, 77A	R.H.—Broadcloth Trim	† 6A 7302600-A	1
47-48	73A, 77A	L.H.—Broadcloth Trim	† 6A 7302601-A	1
49	70A, 72A, 72C	R.H.—Cloth Trim-M-16908-B	† BA 7002600-B	1
49	70A, 72A, 72C	L.H.—Cloth Trim-M-16908-B	† BA 7002601-B	1
49	70B, 72B	R.H.—Cloth Trim-M-16908-E	† BA 7002600-E	1
49	73A	R.H.—Cloth Trim-M-16908-D (replaced by BA 7324542-D)	† BA 7302600-D	1
49		L.H.—Cloth Trim-M-16908-E (replaced by OA 7002601-AC)	BA 7002601-E	1
		L.H.—Cloth Trim-M-16908-D	† BA 7302601-D	1
		R.H.—Cloth Trim-M-16908-E (replaced by BA 7324542-E)	BA 7302600-E	1
		L.H.—Cloth Trim-M-16908-E (replaced by BA 7324543-E)	BA 7302601-E	1
			† BA 7902600-B	1
			† BA 7902601-B	1



# BUY IT NOW!

Click Here To Order





## BODY PARTS CATALOGUE

YEAR	BODY TYPES	REMARKS	PART NUMBER	NO. REQ'D
19				
GROUP 02600-1 WINDLACE ASSY. (FRONT BODY PILLAR AND DOOR OPENING HEADER) —CONTINUED				
50	70A, 72C	R.H.-Mohair Trim	† OA 7002600-AA	1
50	70A, 72C	L.H.-Mohair Trim	† OA 7002601-AA	1
50	70A, 70B, 72	R.H.-Broadcloth Trim	† OA 7002600-AB	1
50	70A, 70B, 72	L.H.-Broadcloth Trim	OA 7002601-AB	1
50	70B, 72B	R.H.-Mohair & Broadcloth Trim	OA 7002600-AC	1
50	70B, 72B	L.H.-Mohair & Broadcloth Trim	OA 7002601-AC	1
50	70C	R.H.-Red & Black Leather Trim	† OA 7002600-AU	1
50	70C	L.H.-Red & Black Leather Trim	† OA 7002601-AU	1
50	70C	R.H.-Chartreuse & Black Leather Trim	† OA 7002600-AV	1
50	70C	L.H.-Chartreuse & Black Leather Trim	† OA 7002601-AV	1
50	70C	R.H.-Two Tone Tan Leather Trim	† OA 7002600-AX	1
50	70C	L.H.-Two Tone Tan Leather Trim	† OA 7002601-AX	1
50	73A	R.H.-Mohair Trim	† OA 7302600-AA	1
50	73A	L.H.-Mohair Trim	† OA 7302601-AA	1
50	73A	R.H.-Broadcloth Trim	† OA 7302600-AB	1
50	73A	L.H.-Broadcloth Trim	† OA 7302601-AB	1
50	73B	R.H.-Used with M-16102-L Broadcloth Trim	† OA 7302600-AB	1
50	73B	L.H.-Used with M-16102-L Broadcloth Trim	† OA 7302601-AB	1
50	73B	R.H.-Used with M-16505-C or M-16102-M Cloth Trim	† OA 7302600-AC	1
50	73B	L.H.-Used with M-16505-C or M-16102-M Cloth Trim	† OA 7302601-AC	1
50	79	R.H.-Tan Vinyl Leather Trim	† OM 7902600-AB	1
50	79	L.H.-Tan Vinyl Leather Trim	† OM 7902601-AB	1
50-51	79	R.H.-Golden Tan Vinyl Leather Trim	† OA 7902600-AT	1
50-51	79	L.H.-Golden Tan Vinyl Leather Trim	† OA 7902601-AT	1
51	60B	Use with M-5085-AC Green Bedford Cord Trim	† 1A 6002600-AAA	2
51	60B	Use with M-5085-AA Tan Bedford Cord Trim	† 1A 6002600-AAB	2
51	60B	Use with M-5085-AB Grey Bedford Cord Trim	† 1A 6002600-AAC	2
51	70A, 72C	R.H.-Mohair Trim	† 1A 7002600-AA	1
51	70A, 72C	L.H.-Mohair Trim	† 1A 7002601-AA	1
51	70A, 72C	R.H.-Broadcloth Trim	† 1A 7002600-AB	1
51	70A, 72C	L.H.-Broadcloth Trim	1A 7002601-AB	1
51	70B, 72B	R.H.-Use with M-16503-V Mohair Trim	† 1A 7002600-BC	1
51	70B, 72B	L.H.-Use with M-16503-V Mohair Trim	1A 7002601-BC	1
51	70B, 72B	R.H.-Use with M-5085-Z Bedford Cord Trim	† 1A 7002600-AC	1
51	70B, 72B	L.H.-Use with M-5085-Z Bedford Cord Trim	† 1A 7002601-AC	1
51	70B, 72B	R.H.-Use with M-16104-A Broadcloth Trim	† 1A 7002600-AD	1
51	70B, 72B	L.H.-Use with M-16104-A Broadcloth Trim	† 1A 7002601-AD	1
51	70B, 72B	R.H.-Use with M-16104-B Broadcloth Trim	† 1A 7002600-AE	1
51	70B, 72B	L.H.-Use with M-16104-B Broadcloth Trim	† 1A 7002601-AE	1
51	70, 72	R.H.-Use with Blue and Ivory Leather Trim	† 1A 7002600-AT	1
51	70, 72	L.H.-Use with Blue and Ivory Leather Trim	† 1A 7002601-AT	1
51	70, 72	R.H.-Use with Brown and Ivory Leather Trim	† 1A 7002600-AU	1
51	70, 72	L.H.-Use with Brown and Ivory Leather Trim	† 1A 7002601-AU	1
51	70C	R.H.-Chartreuse Cord and Black Leather Trim	† 1A 7002600-AX	1
51	70C	L.H.-Chartreuse Cord and Black Leather Trim	† 1A 7002601-AX	1
51	70C	R.H.-Tan Cord and Brown Leather Trim	† 1A 7002600-AY	1
51	70C	L.H.-Tan Cord and Brown Leather Trim	† 1A 7002601-AY	1
51	70C	R.H.-Blue-Green Cord and Black Leather Trim	† 1A 7002600-AZ	1
51	70C	L.H.-Blue-Green Cord and Black Leather Trim	† 1A 7002601-AZ	1
51	73A	R.H.-Mohair Trim	† 1A 7302600-AA	1
51	73A	L.H.-Mohair Trim	† 1A 7302601-AA	1
51		R.H.-Broadcloth Trim	† 1A 7302600-AB	1
51		L.H.-Broadcloth Trim	† 1A 7302601-AB	1
		R.H.-Use with M-5085-Z Bedford Cord Trim	† 1A 7302600-AC	1
		L.H.-Use with M-5085-Z Bedford Cord Trim	† 1A 7302601-AC	1
		R.H.-Use with M-5085-Z Bedford Cord Trim	† 1A 7302600-BC	1
		L.H.-Use with M-5085-Z Bedford Cord Trim	† 1A 7302601-BC	1

**BUY IT NOW!****Click Here To Order**



## BODY PARTS CATALOGUE

YEAR	BODY TYPES	REMARKS	PART NUMBER	NO. REQ'D
------	------------	---------	-------------	-----------

GROUP 02600-1 WINDLACE ASSY. (FRONT BODY PILLAR AND DOOR OPENING HEADER) —CONTINUED

51	73B	R.H.-Use with M-16104-A Broadcloth Trim	† 1A 7302600-AD	1
51	73B	L.H.-Use with M-16104-A Broadcloth Trim	† 1A 7302601-AD	1
51	73B	R.H.-Use with M-16104-B Broadcloth Trim	† 1A 7302600-AE	1
51	73B	L.H.-Use with M-16104-B Broadcloth Trim	† 1A 7302601-AE	1
51	73	R.H.-Use with Blue and Ivory Leather Trim	* 1A 7302600-AT	1
51	73	L.H.-Use with Blue and Ivory Leather Trim	1A 7302601-AT	1
51	73	R.H.-Use with Brown and Ivory Leather Trim	† 1A 7302600-AU	1
51	73	L.H.-Use with Brown and Ivory Leather Trim	† 1A 7302601-AU	1
52	59	R.H. - Use with Golden Tan Trim (Golden Tan)-Stripe Lace Pattern	† BA 5902600-BS	1
52	59	R.H. - Use with Golden Tan Trim (Golden Tan)-Stripe Lace Pattern	† BA 5902601-BS	1
52	59	R.H. - Use with Golden Tan Trim (Brown)-Block Weave Pattern	BF 7002600-AE	1
52	59	L.H. - Use with Golden Tan Trim (Brown)-Block Weave Pattern	BF 7002601-AF	1
52	60B	R.H. - Use with M-1H12-A Bedford Cord Trim (Mahogany)Stripe Lace Pattern	† BA 7602600-BH	1
52	60B	R.H. - Use with M-1H12-A Bedford Cord Trim (Mahogany) Stripe Lace Pattern	† BA 7602601-BH	1
52	60B	R.H. - Use with M-1H12-A Bedford Cord Trim (Mahogany)-Block Weave Pattern	BF 7602600-AG	1
52	60B	L.H. - Use with M-1H12-A Bedford Cord Trim (Mahogany)- Block Weave Pattern	BF 7602601-AG	1
52	60B	R.H. - Use with M-1H12-B Bedford Cord Trim (Green) Stripe Lace Pattern	† BA 7602600-BJ	1
52	60B	L.H. - Use with M-1H12-B Bedford Cord Trim (Green) Stripe Lace Pattern	† BA 7602601-BJ	1
52	60B	R.H. - Use with M-1H12-B Bedford Cord Trim (Mahogany)-Block Weave Pattern	BF 7602600-AH	1
52	60B	L.H. - Use with M-1H12-B Bedford Cord Trim (Mahogany)-Block Weave Pattern	BF 7602601-AH	1
52	60B	R.H. - Use with M-1H12-C Bedford Cord Trim (Dark Blue)-Block Weave Pattern	† BA 7602600-BK	1
52	60B	L.H. - Use with M-1H12-C Bedford Cord Trim (Dark Blue)-Block Weave Pattern	† BA 7602601-BK	1
52	70A, 72C	R.H.-Use with Mohair & Broadcloth Trim (Dark Grey)-Stripe Lace Pattern	BA 7002600-BA	1
52	70A, 72C	L.H.-Use with Mohair & Broadcloth Trim (Dark Grey)-Stripe Lace Pattern	BA 7002601-BA	1
52	70A, 72C	Use with Mohair & Broadcloth Trim(Dark Grey)-Block Weave Pattern	BF 7002600-AA	2
52	70B, 72B	R.H.-Use with M-1H1-B Broadcloth Trim (Dark Grey)-Stripe Lace Pattern	BA 7002600-BC	1
52	70B, 72B	L.H.-Use with M-1H1-B Broadcloth Trim (Dark Grey)-Stripe Lace Pattern-Replaced by BA 7002600-BC	BA 7002601-BC	1
52	70B, 72B	Use with M-1H1-B Broadcloth Trim (Dark Grey)-Block Weave Pattern	BF 7002600-AA	2
52	70B, 72B	R.H.-Use with M-1H1-D Broadcloth Trim (Green)-Stripe Lace Pattern	BA 7002600-BE	1
52	70B, 72B	L.H.-Use with M-1H1-D Broadcloth Trim (Green)-Stripe Lace Pattern	BA 7002601-BE	1
52	70B, 72B	R.H. - Use with M-1H1-D Broadcloth Trim (Green)-Block Weave Pattern	BF 7002600-AD	2
52	70B, 72B	L.H. - Use with M-1H1-D Broadcloth Trim (Green) Block Weave Pattern	BF 7002601-AD	1
52	70B, 72B	R.H.-Use with M-1H13-A Bedford Cord Trim (Brown)-Stripe Lace Pattern	BA 7002600-BF	1
52	70B, 72B	L.H.-Use with M-1H13-A Bedford Cord Trim (Brown)-Stripe Lace Pattern	BA 7002601-BF	1
52		Nailhead Broadcloth Trim	BF 7002600-AE	1
52		Nailhead Broadcloth Trim	BF 7002601-AE	1



# BUY IT NOW!

Click Here To Order





## BODY PARTS CATALOGUE

YEAR	BODY TYPES	REMARKS	PART NUMBER	NO. REQ'D
GROUP 02600-1 WINDLACE ASSY. (FRONT BODY PILLAR AND DOOR OPENING HEADER) -CONTINUED				
52	70,72	R.H. - Use with Blue & Ivory Vinyl Leather Trim (Dark Blue)	BF 7002600-AS	1
52	70,72	L.H. - Use with Blue & Ivory Vinyl Leather Trim (Dark Blue)	BF 7002601-AS	1
52	70,72	R.H.-Use with Mahogany & Ivory Vinyl Leather Trim (Mahogany)- Stripe Lace Pattern	BA 7002600-BV	1
52	70,72	L.H.-Use with Mahogany & Ivory Vinyl Leather Trim (Mahogany)- Stripe Lace Pattern	BA 7002601-BV	1
52	70,72	R.H. - Use with Mahogany & Ivory Vinyl Leather Trim (Brown) Block Weave Pattern	BF 7002600-AE	1
52	70,72	L.H. - Use with Mahogany & Ivory Vinyl Leather Trim (Brown)- Block Weave Pattern	BF 7002601-AE	1
52	73A	R.H.-Use with Mohair or Broadcloth Trim (Dark Grey)-Stripe Lace Pattern	BA 7302600-BA	1
52	73A	L.H.-Use with Mohair or Broadcloth Trim (Dark Grey)-Stripe Lace Pattern	BA 7302601-BA	1
52	73A	Use with Mohair or Broadcloth Trim (Dark Grey)-Block Weave Pattern	BF 7302600-AA	2
52	73B	R.H. - Use with M-1H1-B Broadcloth Trim (Dark Grey)-Stripe Lace Pattern-Replaced by BA 7302601-BC	+BA 7302600-BC	1
52	73B	L.H. - Use with M-1H1-B Broadcloth Trim (Dark Grey)-Stripe Lace Pattern	BA 7302601-BC	1
52	73B	Use with M-1H1-B Broadcloth Trim (Dark Grey)-Block Weave Pattern	BF 7302600-AA	2
52	73B	Use with M-1H1-D Broadcloth Trim (Green)-Stripe Lace Pattern	BA 7302600-CE	2
52	73B	Use with M-1H1-D Broadcloth Trim (Green)-Block Weave Pattern	BF 7302600-AD	2
52	73B	R.H.-Use with M-1H13-A Bedford Cord Trim (Brown)-Stripe Lace Pattern	BA 7302600-BF	1
52	73B	L.H.-Use with M-1H13-A Bedford Cord Trim (Brown)-Stripe Lace Pattern	BA 7302601-BF	1
52	73B	R.H. - Use with M-1H1-E Brown Stripe Mailhead Broadcloth Trim- (Brown)-Block Weave Pattern	BF 7302600-AE	1
52	73B	L.H. - Use with M-1H1-E Brown Stripe Mailhead Broadcloth Trim- (Brown)-Block Weave Pattern	BF 7302601-AE	1
52	73	Use with Blue & Ivory Vinyl Leather Trim-(Dark Blue)	BF 7302600-AS	2
52	73	R.H. - Use with Mahogany and Ivory Vinyl Leather Trim (Mahogany) Stripe Lace Pattern	BA 7302600-BV	1
52	73B	L.H. - Use with Mahogany and Ivory Vinyl Leather Trim (Mahogany) Stripe Lace Pattern	BA 7302601-BV	1
52	73	R.H. - Used with Mahogany Vinyl & Ivory Leather Trim (Brown) - Block Weave Pattern	BF 7302600-AE	1
52	73	L.H. - Used with Mahogany Vinyl & Ivory Leather Trim (Brown)- Block Weave Pattern	BF 7302601-AE	1
52	76	R.H. - Use with Black Vinyl and Red Leather Trim-(Black)	BA 7602600-BG	1
52	76	L.H. - Use with Black Vinyl and Red Leather Trim- (Black)	BA 7602601-BG	1
52	76	R.H.-Use with Mahogany Vinyl & Tan Leather Trim	BA 7602600-BH	1
52	76	L.H.-Use with Mahogany Vinyl & Tan Leather Trim	BA 7602601-BH	1
52	76	R.H.-Use with Green Vinyl & Ivory Leather Trim	BA 7602600-BJ	1
52	76	L.H.-Use with Green Vinyl & Ivory Leather Trim	BA 7602601-BJ	1
52	76	R.H. - Use with Dark Blue Vinyl & Light Blue Leather Trim	BF 7602600-AJ	1
52	76	L.H. - Use with Dark Blue Vinyl & Light Blue Leather Trim	BF 7602600-AJ	1
52	78	R.H. - Use with Brown and Grey Vinyl Leather Trim (Grey)- Stripe Lace Pattern	+ BA 7802600-BX	1
52	78	L.H. - Use with Brown and Grey Vinyl Leather Trim (Grey) Stripe Lace Pattern	+ BA 7802601-BX	1
52		Use with Brown & Grey Vinyl Leather Trim-(Brown)-Block Weave and Milan Straw Leather Trim-	BF 7002600-AE	2
52			BA 7902600-BF	1
52		Use with Milan Straw Leather Trim	BA 7902600-BF	1
52			358385-83	24

**BUY IT NOW!****Click Here To Order**



## BODY PARTS CATALOGUE

YEAR	BODY TYPES	REMARKS	PART NUMBER	NO. REQ'D
------	------------	---------	-------------	-----------

**GROUP 02606-7 WINDLACE AND REINFORCEMENT ASSY. (FRONT BODY PILLAR)**

46-48	79B	R.H.	+ 21A 7902606-A	1
46-48	79B	L.H.	+ 21A 7902607-A	1
46-48	71, 76	R.H.-Tan Leather	+ 51A 7602606-A	1
46-48	71, 76	L.H.-Tan Leather	+ 51A 7602607-A	1
46-48	71, 76	R.H.-Red Leather	+ 51A 7602606-B	1
46-48	71, 76	L.H.-Red Leather	+ 51A 7602607-B	1

**GROUP 02610 WINDLACE ASSY. (FRONT BODY PILLAR DOOR OPENING HEADER AND BODY LOCK PILLAR)**

44-47	C81, 761, C82, Y82		410 8102610-A	2
46-47	W81		+ 51W 8102610-A	2

**GROUP 02610 WINDLACE ASSY. (FRONT BODY PILLAR)**

49	76	M 5085-T Bedford Cord with Red Leather Trim	+ 8A 7602610-G	2
49	76	M 5085-T Bedford Cord with Tan Leather Trim	+ 8A 7602610-E	2
49	76	M 5085-U Bedford Cord with Green Leather Trim	+ 8A 7602610-F	2
51	60B	Use with M-5085-AC Green Bedford Cord Trim	+ 1A 6002610-BAA	2
51	60B	Use with M-5085-AA Tan Bedford Cord Trim	+ 1A 6002610-BAB	2
51	60B	Use with M-5085-AB Grey Bedford Cord Trim	+ 1A 6002610-BAC	2
50-51	76	Use with Red and Black Leather Combination Trim	+ 1A 6802610-CU	2
50	76	Use with all Red and Black or Chartrusse & Black Leather and Cord Combinations - Replaced by 1A 7602610-CU	+ 0A 7602610-AA	2
50	76	Use with all Tan Leather and Cord Combinations	+ 0A 7602610-AB	2
51	76	Use with Two Tone Leather Combination Trims - Replaced by 1A 7602610-DE	1A 7602610-AM	2
51	76	Use with Two Tone Tan Leather Combination Trims	+ 1A 7602610-DM	2
51	76	Use with Chartrusse & Black Leather Combination Trims	+ 1A 7602610-AJ	2
51	76	Use with Blue - Green and Black Leather Combination Trim	+ 1A 7602610-AK	1

**GROUP 02610 WINDLACE ASSY. (QUARTER LOCK PILLAR)**

49	76	M 5085-T Bedford Cord with Red Leather Trim	+ 8M 7602610-D	2
49	76	M 5085-T Bedford Cord with Tan Leather Trim	+ 8M 7602610-B	2
49	76	M 5085-U Bedford Cord with Green Leather Trim	+ 8M 7602610-C	2

**GROUP 02626-7 WEATHERSTRIP (FRONT BODY PILLAR)-UPPER**

46-47	71, 76	R.H.	11A 7602626-A	1
46-47	71, 76	L.H.	11A 7602627-A	1
47-48	71, 76	R.H. -Replaced by 11A 7602626-A	51A 7602626-A	1
47-48	71, 76	L.H.	51A 7602627-A	1
46-48	71, 76	No. 8 x 5/8" Oval head sheet metal screw	82595-87	2
46-48	71, 76	No. 8 Finishing washer	83488-87	2
49-50	76	R.H.-Cross section "L" shaped	8A 7602626	1
49-50	76	L.H.-Cross section "L" shaped	8A 7602627	1
50-51	76	R.H.-Cross section "C" shaped -Replaced by 1A 7602626	0A 7602626	1
50-51	76	L.H.-Cross section "C" shaped Replaced by 1A 7602627	0A 7602627	1
51	60	R.H.-Cross section "C" shaped -Replaced by 1A 7602626	0A 7602626	1
51	60	L.H.-Cross section "C" shaped -Replaced by 1A 7602627	0A 7602627	1
51		R.H.	1A 7602626	1
51		L.H.	1A 7602627	1
52				
52				
52			BA 7602626-B	1
52			BA 7602627-B	1

† No.

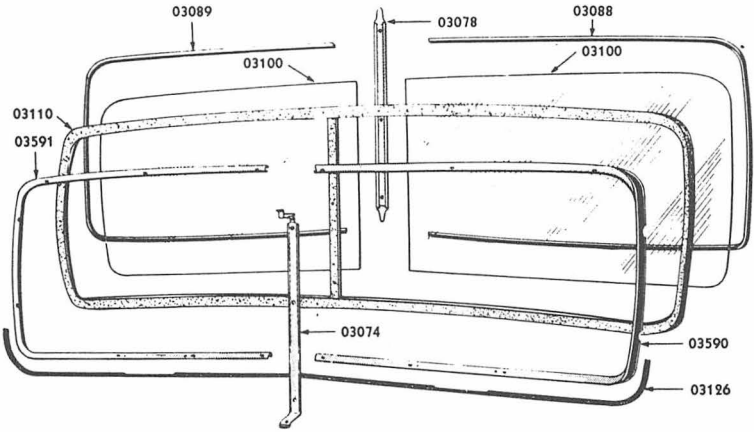


# BUY IT NOW!

Click Here To Order

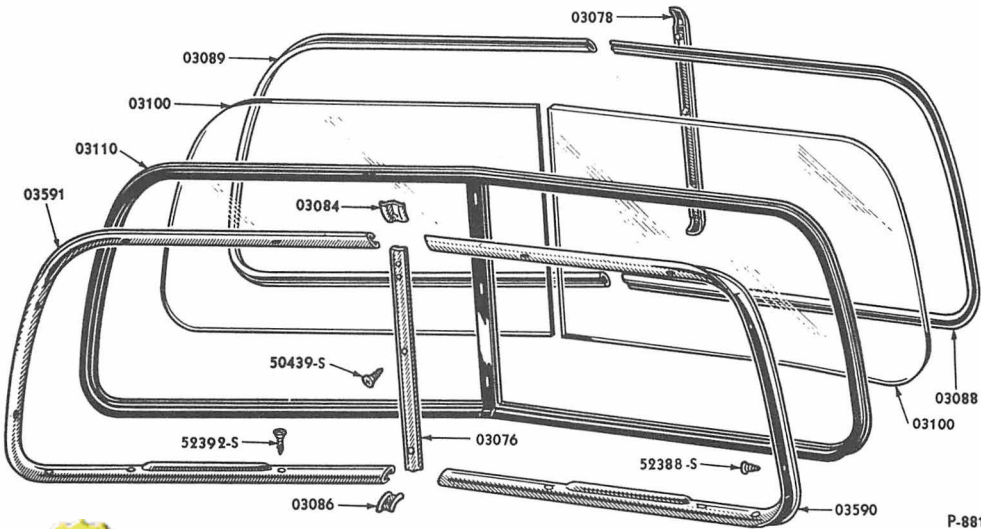


BODY PARTS CATALOGUE



P-624

1946-48 WINDSHIELD PARTS



P-881

1949-51 WINDSHIELD PARTS

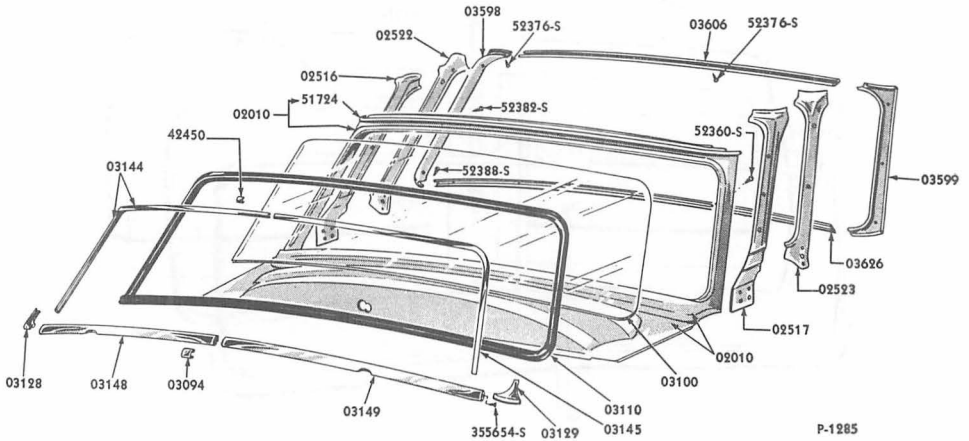
Refer to group for complete Part Number.



**BUY IT NOW!**

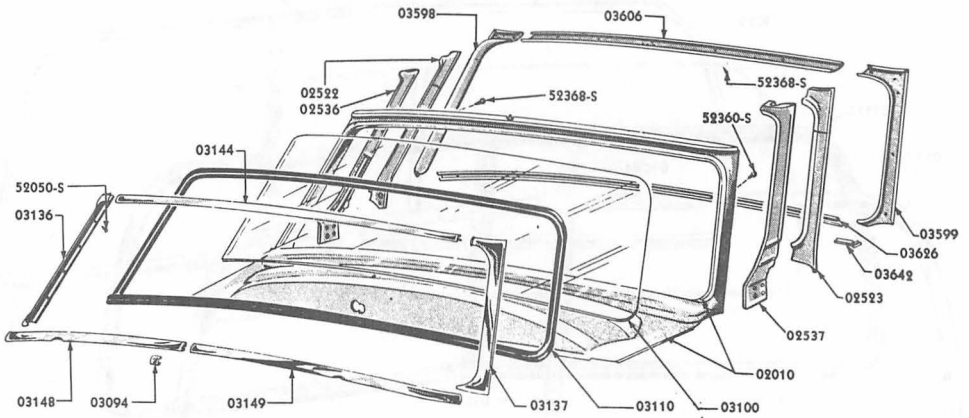
**Click Here To Order**





P-1285

1952 WINDSHIELD PARTS



P-1288



**BUY IT NOW!**

**Click Here To Order**

BODY TYPE 60 & 76)  
to group for complete Part Number.





**BODY PARTS CATALOGUE**

YEAR 19	BODY TYPES	REMARKS	PART NUMBER	NO. REQ'D
<b>GROUP 02836-7 SHIM (FRONT BODY PILLAR WEATHERSTRIP RETAINER)—UPPER</b>				
50	76	R.H.	0A 7602636	As Req'd.
50	76	L.H.	0A 7602637	As Req'd.
51	60, 76	R.H.	0A 7602636	As Req'd.
51	60, 76	L.H.	0A 7602637	As Req'd.
<b>GROUP 02914 BAR ASSY. (BODY FRONT TIE)</b>				
44-47	W81		99W 8102914	1
<b>GROUP 03014 FRAME ASSY. (WINDSHIELD)—INNER</b>				
48-52	J85		2J 8503014-A	1
<b>GROUP 03017 PANEL (WINDSHIELD CENTER POST)—OUTER</b>				
48-52	J85		8J 8503017	1
<b>GROUP 03036 BRACE ASSY. (STEERING COLUMN TO WINDSHIELD OPENING REINFORCEMENT)</b>				
51	60, 70, 72, 73, 76		1A 7003036-B	1
51	60, 70, 72, 73, 76	5/16" -24 x 3/4" Hex.head bolt	24347-88	1
51	60, 70, 72, 73, 76	.375" I.D. x .75" O.D. Special serrated washer	†55605-88	1
51	60, 70, 72, 73, 76	5/16" Hex.nut	34392-87	1
<b>GROUP 03040 STRAINER ASSY. (WINDSHIELD)—CENTER</b>				
49-51	60, 76	Chrome	8A 7603040	1
51	60	Late 1951 - Refer to Group 03044		
51	76	Material substitution	1A 7603040-AZ6	1
51	76	No. 12-24 x 3/4" Binding head screw & washer assy.	†42812-88	4
49-51	60, 76	No. 12-24 x 3/4" Binding head screw & washer assy.	†42812-88	2
49-51	60, 76	No. 12 Lockwasher	34804-87	2
49-51	60, 76	No. 12-24 Hex.mit	34054-88	2
<b>GROUP 03044 STRAINER (WINDSHIELD CENTER)</b>				
46-48	71, 76	Maplewood Grain Finish-Paint to match	†51A 7103044	1
46-48	71, 76	Blue Grey Finish-Replaced by 51A-7103044	51A 7603044	1
46-48	71, 76	No. 12-24 x 3/4" Round head machine screw	†26514-82	2
46-48	71, 76	No. 12 Flat washer	44716-88	2
46-48	71, 76	No. 12 Lockwasher	34804-88	2
46-48	71, 76	No. 12-24 Hex.mit	34054-88	2
51	60	Late 1951 - Chrome	1A 6003044-AZ6	1
<b>GROUP 03074 RETAINER AND GROUND CLIP ASSY. (WINDSHIELD CENTER WEATHERSTRIP)—INNER</b>				
46-47	70, 72B, 73, 77, 78	Light Tan Finish-Replaced by 6A-7003074-B	51A 7003074-A	1
46-47	70B, 72B, 73B, 77B, 79B	Blue Grey Metallic Finish-Replaced by 6A-7003074-B	51A 7003074-B	1
47	60	Beige Finish-Replaced by 6A-7003074-B	6A 7003074-A	1
47	73B, 77B	Grey Metallic Finish-Paint to match	6A 7003074-B	1
47	73, 77B, 79B	No. 10-32 x 1" Cross recess oval head screw	50439-813	3
			†01C 8103074	1
			50439-813	3



**BUY IT NOW!**

**Click Here To Order**





## BODY PARTS CATALOGUE

YEAR 19__	BODY TYPES	REMARKS	PART NUMBER	NO. REQ'D
GROUP 03076      RETAINER (WINDSHIELD CENTER WEATHERSTRIP)—INNER				
49-51	70A,70B,72,73	Paint to match	8A 7003076-CP	1
50-51	70C	Chrome	0A 7003076-B	1
49	79	Maple Grain Finish	#8A 7903076-A	1
50	79	Mahogany Grain Finish	#8A 7903076-AF	1
50-51	79	Paint to match	0A 7903076-AF	1
49-51	70,72,73,79	No.10-32 x 1 <sup>1/2</sup> Cross recess oval head screw	50439-813	3
51	60	Refer to Group 03040		

GROUP 03078      RETAINER ASSY. (WINDSHIELD CENTER WEATHERSTRIP)—OUTER				
46-48	70,71,72B,73,76,77,78,79B		11A 7603078-B	1
46-48	70,71,72B,73,76,77,78,79B	No.10-32 x 1 <sup>1/2</sup> Cross recess oval head screw	50439-813	3
44-47	C81,T81,C82,Y82		01C 8103078	1
44-47	C81,T81,C82,Y82	No.10-32 x 1 <sup>1/2</sup> Cross recess oval head screw	50439-813	3
49	70A,72A,72C,73A	Painted-Slate Grey	8A 7003078-A	1
50-51	70A,72C,73A	Painted-Slate Grey	8A 7003078-A	1
49-50	70B,72B,73B	Rustless Steel-17.64" long-Replaced by OA 7003078	8A 7003078-B	1
50-51	70B,70C,72B,73B	Rustless Steel-17.49" long	0A 7003078	1
49	76	Rustless Steel-16.96" long	8A 7603078-A	1
50-51	76	Rustless Steel-16.83" long	0A 7603078	1
51	60	Rustless Steel-16.83" long	0A 7603078	1
49-50	79	Rustless Steel-17.36" long-Tan Vinyl Leather Trim	8A 7903078	1
50-51	79	Paint to match-17.36" long-Use with Golden Tan Vinyl Leather Trim	0A 7903078	1
49-50	70,72,73,76,79	No.10-32 x 1 <sup>1/2</sup> Cross recess oval head screw	50439-813	3

GROUP 03084      PLATE (WINDSHIELD CENTER INSIDE FINISH STRIP)—UPPER				
46-48	71,76	Maplewood Grain Finish-Replaced by 51A-7603084	51A 7103084	1
46-48	71,76	Blue Grey Metallic Finish-Paint to match	#51A 7603084	1
46-47	78	Light Tan Finish-Replaced by 51A-7603084	51A 7803084	1
47-48	78	Beige Finish-Replaced by 51A-7603084	6A 7803084	1
49-51	70A,70B,72,73	Paint to match-Replaced by OA 7003084-B	8A 7003084-CP	1
50-51	70C	Chrome	0A 7003084-B	1
51	60	Chrome	1A 6003084	1
51	60	Material substitution	1A 6003084-A26	1
49-51	76	Paint to match	8A 7603084-AF	1
50-51	79	Paint to match	#0A 7903084-AF	1
49	79	Maple Grain Finish	#8M 7903084-A	1
50	79	Mahogany Grain Finish	#8M 7903084-AB	1
49-51	70,72,73,76,79	No.8 x 1 1/2" Cross recess oval head sheet metal screw	52388-813	1

GROUP 03086      PLATE (WINDSHIELD CENTER INSIDE FINISH STRIP)—LOWER				
46-48	71,76	Maplewood Grain Finish-Replaced by 51A-7603086-B	51A 7103086	1
46-48	76	Blue Grey Metallic Finish-Paint to match	#51A 7603086-B	1
46-47	71,76	No.8 x 1 1/2" Cross recess oval head sheet metal screw	52388-813	2
46-48	71,76	No.8 x 1 3/8" Cross recess oval head sheet metal screw	52392-813	2
49-51	76	Paint to match-Replaced by OA 7003086-B26	8A 7003086-CP	1
50			0A 7003086-B26	1
51			0A 7003086-B26	1
49		sheet metal screw	52392-813	1



# BUY IT NOW!

Click Here To Order





**BODY PARTS CATALOGUE**

YEAR 19	BODY TYPES	REMARKS	PART NUMBER	NO. REQ'D
GROUP 03088-9 MOULDING (WINDSHIELD FINISH)—OUTSIDE				
46-48	70B, 71, 72B, 73B, 76, 77B, 79B	R.H.—Chrome Finish	11A 7603088	1
46-48	70B, 71, 72B, 73B, 76, 77B, 79B	L.H.—Chrome Finish	11A 7603089	1
49-50	70B, 72B, 73B	R.H.—Rustless Steel—Use with single grooved weatherstrip	8A 7003088-B	1
49-50	70B, 72B, 73B	L.H.—Rustless Steel—Use with single grooved weatherstrip	8A 7003089-B	1
50-51	70B, 70C, 72B, 73B	R.H.—Rustless Steel—Use with double grooved weatherstrip	0A 7003088	1
50-51	70B, 70C, 72B, 73B	L.H.—Rustless Steel—Use with double grooved weatherstrip	0A 7003089	1
49-50	76	R.H.—Rustless Steel	8A 7603088-B	1
49-50	76	L.H.—Rustless Steel	8A 7603089-B	1
50-51	76	R.H.—Rustless Steel—Use with double grooved weatherstrip	0A 7603088	1
50-51	76	L.H.—Rustless Steel—Use with double grooved weatherstrip	0A 7603089	1
51	60	R.H.—Rustless Steel—Use with double grooved weatherstrip	0A 7603088	1
51	60	L.H.—Rustless Steel—Use with double grooved weatherstrip	0A 7603089	1
49-50	79	R.H.—Rustless Steel	8A 7903088	1
49-50	79	L.H.—Rustless Steel	8A 7903089	1
51	C81B, T81B, W81B, C82C	Rustless Steel	1C 8103088-B	1
52	C81B, Q81B, T81B, W81B, C82C	Rustless Steel	1C 8103088-B	1

GROUP 03092 PLATE (WINDSHIELD OPENING FINISH STRIP CENTER COVER)—UPPER

44-47	78, C81, T81, C82, Y82		*01A 7803092	1

GROUP 03094 COVER (WINDSHIELD OUTSIDE BELT MOULDING JOINT)

52	59, 60, 70, 72, 73, 76, 78, 79		8A 7003094-A	1

GROUP 03097 COVER (WINDSHIELD MOULDING JOINT)—OUTSIDE

51	C81, T81B, W81B, C82C	Replaced by 8A 7042432-B	1C 8103097	1
51-52	Trucks	Refer to Group 42432		

GROUP 03100 GLASS ASSY. (WINDSHIELD)

44-47	C81, T81, C82, Y82		01A 7003100	2
46-48	70, 71, 72B, 73, 76, 77, 78, 79B		11A 7003100	2
51	60		8A 7603100	2
49-51	70, 72, 73		*8A 7003100	2
49-51	76		8A 7603100	2
49-51	79		8A 7903100	2
48-51	385	Clear—27.95" x 34.45"—Use with 8J-8503110	8J 8503100	2
52	59, 70, 72, 73, 78, 79	Clear	8A 7003100-B	1
52	59, 70, 72, 73, 78, 79	Tinted (Green)	8C 7003100-A	1
52		Clear	8A 7603100-B	1
52		Tinted (Green)	8C 7603100-A	1
	81, C82		7C 8103100	1
			LJ 8503110	2

**100% SATISFACTION GUARANTEED**

**BUY IT NOW!**

**Click Here To Order**



## BODY PARTS CATALOGUE

YEAR 19	BODY TYPES	REMARKS	PART NUMBER	NO. REQ'D
------------	------------	---------	-------------	--------------

**GROUP 03110 WEATHERSTRIP ASSY. (WINDSHIELD)**

44-47	C81, T81, C82, Y82	R.H.	01A 7003110-A	1
44-47	C81, T81, C82, Y82	L.H.	01A 7003111-A	1
46-48	70, 72B, 73, 77, 78, 79B		21A 7003110-B	1
46-48	71, 76		21A 7603110-A	1
49	70A, 72A, 72C, 73A		8A 7003110-D	1
49-50	70B, 72B, 73B	With single groove for finish moulding	8A 7003110-E	1
49-50	76	With single groove for finish moulding	8A 7603110-B	1
49-50	79	R.H.-With single groove for finish moulding	8A 7903110-A	1
49-50	79	L.H.-With single groove for finish moulding	8A 7903111-A	1
50-51	60, 76	With double groove for finish moulding	0A 7603110	1
50-51	70A, 72C, 73A	Replaced by 8A 7003110-E	8A 7003110-D	1
50-51	70B, 70C, 72B, 73B	With double groove for finish moulding	0A 7003110	1
50-51	79		0A 7903110	1
51	C81B, T81B, W81B, C82C		1C 8103110-B	1
48-51	J85	Use with 8J-8503100 glass	8J 8503110	2
52	59, 70A, 720, 73A, 78		BA 7003110-E	1
52	70B, 72B, 73B, 79		BA 7003110-F	1
52	60, 76		BA 7603110-D	1
52	C81B, Q81B, T81B, W81B, C82C		1C 8103110-B	1
51-52	J85	Use with 1J-8503100 glass	1J 8503110	2

**GROUP 03116 WEATHERSTRIP (WINDSHIELD GLASS)**

48-50	C81, T81, W81, C82 A		7C 8103116-A	1
51	C81A, T81A, W8A, C82A		7C 8103116-A	1
52	C81A, Q81A, T81A, W81A, C82A		7C 8103116-A	1

**GROUP 03118 CLIP (WINDSHIELD FINISH WELT)**

46-48	71, 76		†51A 7603118	2
-------	--------	--	--------------	---

**GROUP 03119 INSERT (WINDSHIELD WEATHERSTRIP)**

51-52	J85	120" long	1J 8503119	2
-------	-----	-----------	------------	---

**GROUP 03126-7 WELT ASSY. (WINDSHIELD FINISH STRIP)**

46-48	70, 72B, 73, 77	For Brown Trim	51A 7003126-A	1
46-48	70B, 72B, 73B, 77B	For Blue Grey Trim	†51A 7003126-B	1
46-47	79B		†59A 7003126	1
46-48	71, 76	R.H.	†51A 7603126	1
46-48	71, 76	L.H.	†51A 7603127	1
52	59, 60, 70, 72, 73, 76, 78, 79	60" long-rubber	BA 7003127-A	1

**GROUP 03128-9 MOULDING (WINDSHIELD)—OUTSIDE—LOWER CORNER**

52	70B, 72B, 73B, 79	R.H.-Rustless Steel	BA 7003128-D	1
52	70B, 72B, 73B, 79	L.H.-Rustless Steel	BA 7003129-D	1

**03136-7 MOULDING (WINDSHIELD)—OUTSIDE—SIDE**

52		R.H.-Rustless Steel-Replaced by RP 7603136-A	BA 7603136-C	1
52		503137-A	BA 7603137-C	1
52		elf-tapping screw	52003-813	4x10



# BUY IT NOW!

Click Here To Order





## BODY PARTS CATALOGUE

YEAR 19	BODY TYPES	REMARKS	PART NUMBER	NO. REQ'D
------------	------------	---------	-------------	--------------

## GROUP 03144-5 MOULDING (WINDSHIELD)—OUTSIDE—TOP

52	70B, 72B, 73B, 79	R.H.—Rustless Steel	BA 7003144-B	1
52	70B, 72B, 73B, 79	L.H.—Rustless Steel	BA 7003145-B	1
52	60, 76	Rustless Steel	BA 7603144-B	1

## GROUP 03148-9 MOULDING (WINDSHIELD)—OUTSIDE—BELT

52	59, 60, 70, 72, 73, 76, 78, 79	R.H.—Rustless Steel	BA 7003148-A	1
52	59, 60, 70, 72, 73, 76, 78, 79	L.H.—Rustless Steel	BA 7003149-A	1
52	59, 70, 72, 73, 76, 78, 79	No. 4 x 1/2" Cross recess flat head self-tapping screw	355654-S13	2
52	60	No. 4 x 3/8" Cross recess flat head self-tapping screw	52003-S13	2

## GROUP 03191 BRACKET (WINDSHIELD WIPER MOTOR MOUNTING)

48-52	J85		BJ 8503191	2
-------	-----	--	------------	---

## GROUP 03311 WASHER (WINDSHIELD SWING ARM SPRING)

44-47	W81		+99W 8103311	4
-------	-----	--	--------------	---

## GROUP 03380-2 PAD (WINDSHIELD HEADER CLAMP CATCH)

46-48	71, 76	Center	+11A 7603380	1
46-48	71, 76	Side	+11A 7603382	2

## GROUP 03422 PANEL (WINDSHIELD HEADER)—OUTER

48-52	J85		BJ 8503422	1
-------	-----	--	------------	---

## GROUP 03442 DOWEL (WINDSHIELD HEADER)—CENTER

46-48	71, 76		+11A 7603442	2
51	76	Material substitution	BA 7603442-AZ6	1
52	76		BD 7603442-B	1
52	76	No. 8-32 x 1/4" Headless set screw	+89565-S8	1
52	76	1/4" -20 x 3/4" Oval head machine screw	+30047-S13	2
52	76	1/4" Countersunk external tooth lockwasher	34954-S7	2

## GROUP 03454 PLATE (WINDSHIELD HEADER CLAMP)—CENTER

46-48	71, 76		11A 7603454	1
46-48	71, 76	No. 12 x 1" Flat head wood screw	+31920-S13	2

## GROUP 03456 PLUG (WINDSHIELD HEADER CENTER CLAMP BRACKET)

46-48	71, 76		+11A 7603456	1
-------	--------	--	--------------	---

## GROUP 03458 CATCH (WINDSHIELD HEADER CLAMP)—CENTER

			11A 7603458-A	1
			30031-S7	2

**BUY IT NOW!****Click Here To Order**



## BODY PARTS CATALOGUE

YEAR	BODY TYPES	REMARKS	PART NUMBER	NO. REQ'D
<b>GROUP 03458-9 DOWEL (WINDSHIELD HEADER)—SIDE</b>				
49-51	76	R.H.-Material substitution	BA 7603458-AZ6	1
49-51	76	L.H.-Material substitution	BA 7603459-AZ6	1
49-51	76	1/8" -20 x 3/4" Oval head screw & washer assy.	†42876-813	4
52	76	R.H.	BD 7603459-B	1
52	76	L.H.	BD 7603459-B	1
52	76	1/4" -20 x 3/4" Oval head machine screw	†30047-813	4
52	76	1/4" Countersunk external tooth lockwasher	34954-87	4
<b>GROUP 03462-3 BRACKET (WINDSHIELD HEADER)—DOWEL SIDE</b>				
46-48	71,76	R.H.	†11A 7603462	1
46-48	71,76	L.H.	†11A 7603463	1
46-48	71,76	1/4" -20 x 3/4" Flat head machine screw	350299-87	4
46-48	71,76	1/4" Flat washer	44719-88	4
46-48	71,76	1/4" -20 Locknut	34390-82	4
<b>GROUP 03466 SHIM (WINDSHIELD HEADER DOWEL)</b>				
50-51	76		DA 7603466	As Req'd
<b>GROUP 03472-3 PANEL (WINDSHIELD CORNER POST)—OUTER</b>				
48-52	J85	R.H.	8T 8503472	1
48-52	J85	L.H.	8T 8503473	1
<b>GROUP 03476 WEATHERSTRIP (WINDSHIELD HEADER)</b>				
46-48	71,76		†11A 7603476-A	1
49-50	76		8A 7603476-B	1
49-51	76		DA 7603476	1
<b>GROUP 03502 PANEL ASSY. (WINDSHIELD HEADER TRIM)</b>				
44-47	C82,Y82	Replaced by 8C 8251968	†01C 8203502	1
48-50	C82A	Replaced by 8C 8251968	†7C 8203502	1
<b>GROUP 03520 CLAMP ASSY. (WINDSHIELD HEADER TO TOP)—SIDE</b>				
46-48	71,76		11A 7603520	2
46-48	71,76	5/16" Lockwasher	34806-87	2
46-48	71,76	5/16" -24 Hex, nut	33798-88	2
<b>GROUP 03522 CLAMP ASSY. (WINDSHIELD HEADER TO TOP)—CENTER</b>				
46-48	71,76		11A 7603522	1
46-48	71,76	1/4" -20 x 5/8" Round head bolt	35031-82	2
46-48	71,76	1/4" Flat washer	44719-88	2
46-48	71,76	1/4" Internal tooth lockwasher	34905-87	2
<b>GROUP 03542 MOULDING (WINDSHIELD HEADER)—INSIDE</b>				
51		Paint to match	1A 6003542-AP	2
51			BA 6003542-BP	1
52		ad self-tapping screw	52726-813	3



# BUY IT NOW!

Click Here To Order

